

PRICE LIST

An entirely ITALIAN STORY

Born here, raised in the world

For EUROTROL® this is not just a motto: it is a philosophy of life and enterprise. It was the year 2000 when **Rino Leoni's idea of selling components and solutions for water treatment** became a reality. **A family reality.** The strength of his project is mirrored in his core values: courtesy, respect, and passion.

With a focus on the client, whose needs, requirements, and requests are **always met thanks to EUROTROL®'s standard and customised solutions.**

*Thanks to the company's experience, research, and quick response time, **EUROTROL® is today a leader in the international distribution of components for the treatment of primary water for residential, commercial, and industrial applications.***

COMMERCIAL APPLICATIONS

A circular inset image showing water being poured into a glass, with several water droplets floating above it.

INDUSTRIAL APPLICATIONS

A circular inset image showing a large industrial water treatment facility with multiple structures and a curved channel.

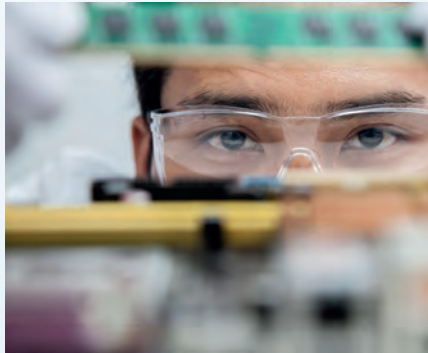
RESIDENTIAL APPLICATIONS

A circular inset image showing water flowing into a sink drain.

We have a **SOLUTION** for **EVERY NEED**

*Our products express our philosophy and our history.
The components distributed by EUROTROL® represent who we are.
Our family values and our corporate ethics.*

Every product that we make available to our clients is the result of continuously growing expertise, extraordinary skill, **research and innovation.**



Excellence, in every field

For every sector and application related to the treatment of primary water, **EUROTROL® offers a range of products that interpret the needs and respond to the demands of its clients.**

RESIDENTIAL
COMMERCIAL
INDUSTRIAL



SPACE for EUROTROL®

In just a few years Eurotrol® has developed more than 18 European design patents with the EU design registration code n.003156272. It distributes 2/3 of its products under the MWG® brand.

Choosing only the best products has allowed us to obtain numerous certifications.



GENERAL CONDITIONS OF SALE

1) Effectiveness of these general conditions

These conditions of sale (hereinafter "GCS") are valid for any contract and / or supply and / or sale offer concluded between Eurotrol Spa (hereinafter also the "Seller") and its customers (hereinafter also "Buyer"). The GCS prevail over the Buyer's purchase conditions. The GCS are available at the following web link <https://www.eurotrol.it/en/gsc-new/> and will have binding effect and will represent the contractual source of the obligations of the Seller and the Buyer who explicitly accepts them by accepting the confirmation of order sent by Seller. The Seller reserves the right to modify, supplement or vary the GCS, attaching these changes to the sales and / or supply offers or to any correspondence sent in writing to the Buyer.

2) Offers and completion of the sale

The Seller prepares the offer based on the request / proposal for sale and / or supply made by the Buyer and sends the offer via e-mail to the Buyer. A reference to these GCS is included in the body of the offer and the order confirmation prepared by the Seller which contain the WEB link from which to consult them. The information contained in the offers prepared by the Seller may differ from the information contained in the Seller's price list and / or catalogue which are to be understood as fully indicative and unilaterally modifiable by the Seller. The offer prepared by the Seller is not binding and does not bind the Buyer in any way until the formulation and transmission of the purchase order by the same Buyer. Unless otherwise specified in writing, the Seller's offers are valid for 30 days from the date of transmission of the document to the Buyer and the relative prices are EXW Eurotrol Spa warehouse and include, where applicable, packaging.

The sale is considered complete at the time and in the place where Eurotrol Spa receives the purchase order from the Buyer with the Order Confirmation countersigned by the same.

The GCS are understood to be explicitly accepted by the Buyer with the signature for acceptance of the Order Confirmation sent by the Seller. If the Seller does not receive the countersigned order confirmation within 5 (five) working days, the order confirmation shall be considered expired and no longer valid.

Once the above-mentioned purchase order has been received, the terms and conditions indicated in the offer become binding also with reference to quantities, prices and delivery terms.

The delivery dates indicated in the Order Confirmation will be rescheduled from the date of receipt of the confirmation signed for acceptance. The delivery dates indicated in the Order Confirmation will be rescheduled from the date of receipt of payment for Buyers who have paid in advance.

3) Minimum order

Orders made by the Buyer must have a minimum taxable value of € 100, the Seller therefore reserves the right not to accept orders with a lower value. If such orders are accepted, an additional cost of € 10 will be charged for management.

4) Terms of payment

The terms of payment are those indicated in the Seller's offer sent to the Buyer. In no case will letters of credit and / or other means of payment separate from bank transfers and Ri.Ba. be accepted as payment methods.

5) Description of the products

The description of the products in the offers prepared by the Seller is the only one that is binding on the Seller. On the contrary, the technical data sheets of the products and the information contained in the catalogue are not binding as they are subject to unilateral changes by the Seller. The Buyer must therefore rely solely on the description in the offer before signing and / or accepting the same offer or sending the related order to Eurotrol Spa.

6) Orders for products carried out on specific customer requests

The sale and / or supply of specific products which, on the basis of the requests made by the Buyer, are not included in the Eurotrol Spa catalogue, are governed by independent contracts and / or agreements that supplement or modify these GCS.

7) Additions or changes to orders already issued

The Seller reserves the right to make any additions and / or changes requested by the Buyer with reference to orders already sent to the Seller and in the act of being processed. In any case, the Buyer's requests for additions and changes will be considered as new and independent orders that will be processed in the manner provided for in these GCS.

8) Cancellation of the order and / or in any case withdrawal by the Buyer

The cancellation of an order received by the Seller in the manner set forth in Article 2 above, may only take place with the Seller's written consent, provided that no more than five (5) working days have elapsed since the Seller received the order confirmation countersigned by the Buyer. In case of orders cancelled by the Buyer who has already been notified of the details for the collection of the goods, the same shall be charged 10% of the total taxable amount of the cancelled order as a contribution towards the cost of returning the goods to the warehouse.

9) Prices and taxes

Unless otherwise specified:

- a) the prices of the products do not include VAT, which must be paid upon delivery or in accordance with the specific provisions indicated in the sales invoice.
- b) Taxes, duties, shipping costs not agreed with the Seller, insurance, installation costs and related training of the Buyer's and / or end user's personnel are neither included nor provided for in the prices indicated in the offer for the purchase of products.
- c) The Seller reserves the right to increase prices at any time.
- d) The new sales prices will be applied with reference to the dates of delivery of the goods and not to the date of confirmation of the order, without any obligation on the Seller's side to resend an Order Confirmation with updated prices.

10) Terms of delivery

Unless otherwise agreed in writing, any delivery term also provided for in the offer is not binding for the Seller and is merely indicative.

The Seller reserves the right to make partial deliveries.

The Seller reserves the right to refuse orders with mandatory / binding delivery terms indicated by the Buyer in writing when placing the order.

11) Shipping

The goods travel at the Buyer's risk even if shipped carriage paid.

The Buyer must check the quantities and conditions of the goods upon receipt; any complaints must be sent in writing to the Seller no later than ten (10) working days from receipt of the goods (in any case taking in consideration the Seller's closing calendar).

In any case, it is understood that:

- a) even if the Seller takes delivery of the goods on behalf and in the interest of the Buyer, the Buyer must in any case take full responsibility for the relative transport, assuming all the consequent responsibilities even in the hypothesis of any damage and / or loss / loss suffered by the goods during transport.
- b) The duty of inspection and acceptance of the Products is in any case always borne by the Buyer, who, upon taking delivery of the Products at his warehouse / factory, must immediately check the quantities and packaging of the Products and record any objection in the delivery note by refusing the goods or accepting them with reserve, making the related complaints against the Seller in compliance with the above term of ten (10) working days (always taking in consideration the Seller's closing calendar).

12) Delays in taking the goods stored in the Seller's warehouse

The date of collection of the goods indicated in the purchase order received by the Seller must be considered mandatory and may be waived and / or otherwise modified only with the prior written consent of the Seller.

In case of a delay of fifteen (15) working days (excluding the Seller's closing days) with respect to the date of collection of the goods, the order will be considered as cancelled and the Buyer shall be charged 10% of the taxable amount of the goods not collected.

13) Returns of material

At the request of the Buyer, the Seller may consent in writing to the return and / or in any case to the giving back by the Buyer of all or part of the goods referred to in a specific purchase order.

The Buyer's request for total or partial return of the goods must in any case be received in writing by the Seller no later than 60 (sixty) calendar days from the date on which the goods in question were delivered to the Buyer's warehouse / factory.

If the request is accepted by the Seller, it is in any case understood and agreed that:

- a) shipping is at the Buyer's expense.
- b) A penalty equal to 20% of the taxable sales value of each returned material will be applied to the Buyer.
- c) The goods must be returned within and not later than 30 (thirty) days from the date of acceptance of the return by the Seller.
- d) Goods returned after 30 (thirty) days from the date of acceptance of the return by the Seller will be rejected.

If upon the return, the material turns out as incomplete and / or damaged in any part, including packaging, it will NOT be considered useful for resale; the Seller will then issue a return note to the Buyer for non-compliant material, reserving all claims for compensation and / or in any case any claim against the same Buyer, thus not issuing any credit note.

14) Warranties

Goods considered to be defective, subject to written authorization from the Seller, may only be returned carriage paid, within and no later than 30 (thirty) days from the date of authorization from the Seller, at the expense of the Buyer, with accompanying information notes on the defect found. The purchased products are guaranteed to be free from defects from the date of production (if not available, from the date of shipment) for a period of 1 (one) year, except for:

- a) 10 (ten) years: MWG brand pressure vessels
- b) 5 (five) years: MWG brand cabinets and brine tanks, Structural brand pressure vessels

In the event of a warranty claim for damage occurred during transport carried out by the Seller, the Buyer shall within no more than 8 (eight) working days:

- a) present a copy of the transport document indicating "material accepted with reserve". In the absence of such documentation, the opening of the Guarantee case will not take place.
- b) no dispute with reference to the quantity, quality, type, and packaging of the products may be made except through the communication affixed to the delivery note indicated in the previous period.

With reference to each warranty request sent in writing to the Seller, the Buyer must:

- a) agree to make the disputed products available to the Seller for inspection; this inspection will be carried out by the Seller or by an expert appointed by the Seller or by the manufacturer of the goods.
- b) Deliver to the Seller any ancillary documentation deemed essential for the analysis for the evaluation of the requested Warranty.
- c) Any product, for which the documentation has not been delivered in compliance with the procedures and terms indicated here by the Seller, will not be considered approved and accepted.

Once the existence of the requirements for the validity / effectiveness of the guarantee has been recognized, the results of any analyses carried out on the products found to be defective will not give rise to minutes with technical details, as these operations are covered by industrial secrecy.

15) Non-payment or late payment

In the event of non-payment or delayed payment, even partial, with respect to the agreed deadline and indicated in the invoice, the Seller may, without prior notice, suspend the commercial activities subject to each order and / or in any case suspend the relative deliveries until the balance due by the Buyer is paid. In any case, in the event of delayed payment at the agreed deadlines, interest on late payments will accrue in favour of the Seller, calculated at the official reference rate of the European Central Bank increased by 4 (four) points.

It is understood that ownership of the goods referred to in each order will remain with the Seller until full payment of the consideration by the Buyer. The delay in payments will also cause the suspension of the warranty for the products sold.

In the event of failure or delayed payment, even partial, by the Buyer, the Seller will still have the right to suspend any deliveries still to be made or to consider the contract terminated by law pursuant to art. 1456 of the Civil Code, upon written notice to the Buyer.

The delivery dates indicated in the Order Confirmation will be rescheduled from the date of receipt of payment for Buyers who have paid in advance.

16) Force majeure

For reasons of force majeure we mean the completely sudden and / or unpredictable circumstances relating to the materials, people and / or organizations / states / companies directly or indirectly involved, that may make it impossible for the Seller to manage or fulfil the order. Merely by way of example and not exhaustively, for reasons of force majeure we mean, without any limitation, strikes, lockouts, riots, provisions of the public administration, subsequent blocks of the possibility of export or import, embargoes, acts of war, various impediments to third parties, technical complications occurred during the manufacturing of the product, natural disasters, pandemics etc.

17) Compliance with third party trade rules

The Buyer undertakes not to sell US-made or European-made products in countries where there is a US and / or European Union embargo.

In this sense, it is understood that the Seller will not be able to ship the goods to the countries listed in the US Black List and / or the European Union, which the Buyer declares to be well aware of and which may in any case be subject to changes and additions.

18) Treatment of personal data

The Buyer's personal data will be processed in accordance with the provisions of Italian and European law on the processing of personal data (Legislative Decree 10 August 2018 no. 101, GDPR).

The Seller informs the Buyer that the Seller is the Data Controller, and that the Buyer's personal data are collected and processed exclusively for the execution of this agreement.

The Buyer has the right to request the Seller to update, rectify, integrate, cancel and transform their data into anonymous form.

19) Jurisdiction and applicable law

Any dispute that may arise regarding the interpretation, validity, applicability, or termination of these GCS and of the individual contracts and / or supply and / or sale offers, is the exclusive competence of the Court of Milan.

The law applicable to these GCS and to individual supply and / or sales contracts is the Italian Law.

20) Final provisions

The invalidity in whole or in part of individual provisions of these GCS does not affect the validity of the remaining provisions. These General Conditions of Sale are drawn up in two languages, Italian and English. In case of doubts about interpretation, the Italian version will prevail. Pursuant to and for the purposes of Articles 1341 and 1342 of the Italian Civil Code, the Buyer specifically approves the provisions referred to below:

Art. 1 - Effectiveness of these general conditions

Art. 2 - Offers and completion of the sale

Art. 8 - Cancellation of the Order and / or in any case withdrawal by the Buyer

Art. 10 - Terms of delivery

Art. 11- Shipping

Art. 13 - Returns of material

Art. 15 - Non-payment or late payment

Art. 19 - Jurisdiction and applicable law

Art. 20 - Final provisions

Settimo Milanese, 1st May 2022



INDEX

- Valves, controllers and accessories
 - Pressure vessels and accessories
 - Cabinets
 - Brine tanks
 - Reverse osmosis membranes
 - Vessels and accessories, rotary pumps
 - UV sterilizers
 - Filter housings, cartridges and polyphosphate feeders
 - Ion exchange resins, filtering media
 - Residential R.O. components
 - Water softeners
- 
- A decorative graphic in the bottom right corner of the page, featuring several realistic water droplets of various sizes. The droplets are rendered with soft shadows and highlights, giving them a three-dimensional appearance. They are set against a light blue background that transitions into a darker blue at the bottom.

Valves, controllers and accessories AUTOTROL, CLACK, FLECK, RUNXIN





Autotrol Residential Valves Series 368

- For automatic and residential water softening systems;
- Valve body in NSF listed Noryl plastic material;
- Valve rubber compounded for cold water, NSF listed material;
- Operating flow rate $K_v = 3,68$;
- Backwash flow rate = 10 lpm @ Δp 1,72 bar;
- Resin volume range = 5 ÷ 25 litres;
- Available with the following controllers:
- 604 electronic chronometric; 606 electronic volumetric;
- With European transformer 12/230V - 50Hz;
- Accessories (e.g. upper screen, etc.) not included;
- Programmable chronometric regeneration (calendar override) and consumption statistical data memory.



Ref	Description	Fam.	Subfam.		Price Euro
AB300	VAL.368/604 3/4" M REFILL.14 INJ E DLFC 0.9 GPM 12/230V 50HZ EURO PLUG	10	26		373,19
AB301	VAL.368/604 3/4" M REFILL.14 INJ F DLFC 1.20 GPM 12/230V 50HZ EURO PLUG	10	26		373,15
AB302	VAL.368/604 3/4" M REFILL.14 INJ G DLFC 1.60 GPM 12/230V 50HZ EURO PLUG	10	26		373,15
AB303	VAL.368/604 3/4" M REFILL.14 INJ H DLFC 2.00 GPM 12/230V 50HZ EURO PLUG	10	26		373,15
AB400	VAL.368/606 3/4" M REFILL.14 INJ E DLFC 0.9 GPM 12/230V 50HZ EURO PLUG	10	27		475,59
AB401	VAL.368/606 3/4" M REFILL.14 INJ F DLFC 1.20 GPM 12/230V 50HZ EURO PLUG	10	27		475,59
AB402	VAL.368/606 3/4" M REFILL.14 INJ G DLFC 1.60 GPM 12/230V 50HZ EURO PLUG	10	27		475,59
AB403	VAL.368/606 3/4" M REFILL.14 INJ H DLFC 2.00 GPM 12/230V 50HZ EURO PLUG	10	27		475,59
AB500	VAL.368/606 3/4" M REF.14 INJ E DLFC 0.9 GPM 12/230V 50HZ EUR P+ BYPASS	10	28		574,76
AB501	VAL.368/606 3/4" M REF.14 INJ F DLFC 1.20 GPM 12/230V 50HZ EUR P+ BYPASS	10	28		574,76
AB502	VAL.368/606 3/4" M REF.14 INJ G DLFC 1.60 GPM 12/230V 50HZ EUR P+ BYPASS	10	28		574,76
AB503	VAL.368/606 3/4" M REF.14 INJ H DLFC 2.00 GPM 12/230V 50HZ EUR P+ BYPASS	10	28		574,76

Characteristics:	
Pressure vessel connection	Threaded 2 1/2" 8 UN male
Brine line connection	Threaded 3/8" NPT male
Distributor tube O. D. diameter	1,05" (= 27 mm)
Distributor tube length above pressure vessel	± 1/2" (= ± 13 mm)
Weight (valve + controller)	1,7 kg
Operating pressure	1,38 ÷ 8,27 bar
Water temperature	2°C ÷ 38°C

Box: WxLxH	Box: Q.ty	Box: Weight	Pallet: WxLxH	Pallet: Q.ty	Pallet: Weight
28x80x35	4	11,4	120x80x225	96	29,0

Certificates	Manufacturer	Sectors
DM174-2004 ACS CE, EAC	Pentair	Domestic, Commercial



Autotrol Residential Valves Series 255 with 460 tc Controller



- For automatic and residential water softening systems;
- valve body in NSF listed Noryl plastic material;
- valve rubber compounded for cold water, NSF listed material;
- operating flow rate Kv = 3,4;
- backwash flow rate = 22,7 lpm @ Δp 1,72 bar;
- resin volume range = 5 ÷ 75 litres;
- available with series 400 controller;
- 460tc electronic chronometric;
- with European transformer 12/230V - 50Hz;
- adapters and manifold kit not included, to order separately;
- accessories (e.g. upper screen, etc.) not included.

Ref	Description	Fam.	Subfam.		Price Euro
AA310	VALV. 255/460tc 59´ A-A 07 12/220V 50HZ SYM	10	5		460,82
AA311	VALV. 255/460tc 59´ A-A 08 12/220V 50HZ SYM	10	5		460,82
AA313	VALV. 255/460tc 118´ A-A 08 12/220V 50HZ SYM	10	5		443,06
AA315	VALV. 255/460TC 118´ B-B 10 12/220V 50HZ SYM	10	5		460,82

Characteristics :	
Pressure vessel connection	Threaded 2 ½" 8 UN male
Brine line connection	Threaded ¼" NPT male
Distributor tube O. D. diameter	1,05" (= 27 mm)
Distributor tube length above pressure vessel	29 ± 3 mm
Weight (valve + controller)	1,8 kg
Operating pressure	1,38 ÷ 8,27 bar
Water temperature	2°C ÷ 38°C

Box: WxLxH	Box: Q.ty	Box: Weight	Pallet: WxLxH	Pallet: Q.ty	Pallet: Weight
	4				

Certificates	Manufacturer	Sectors
DM174-2004 ACS CE, EAC	Pentair	Domestic



Autotrol Residential Valves Series 255 with Series Logix Controller

- For automatic and residential water softening systems;
- valve body in NSF listed Noryl plastic material;
- valve rubber compounded for cold water, NSF listed material; operating flow rate Kv = 3,4;
- backwash flow rate = 22,7 lpm @ Δp 1,72 bar;
- resin volume range = 5 ÷ 75 litres;
- available with series LOGIX controller:
- 740 C electronic chronometric;
- 760 C electronic volumetric;
- 742 C electronic chronometric programmable;
- 762 C electronic volumetric programmable;
- with European transformer 12/230V - 50Hz;
- adapters and manifold kit not included, to order sep arately;
- accessories (e.g. upper screen, etc.) not included.

Ref	Description	Fam.	Subfam.		Price Euro
AA203E	VALV. 255/740C BW 07 INJ F SYMBOL 12/230V 50HZ EURO PLUG	10	6		436,78
AA212E	VALV. 255/740C BW 10 INJ J SYMBOL 12/230V 50HZ EURO PLUG	10	6		443,49
AA212EE	VALV. 255/740C BW 10 INJ J SYMBOL 12/230V 50HZ ENG. PLUG	10	6		454,23
AA101E	VALV. 255/742C .33 F 07 SYMBOL 12/230V 50HZ EUROPLUG	10	7		482,20
AA104E	VALV. 255/742C .33 J 10 SYMBOL 12/230V 50HZ EUROPLUG	10	7		482,20
AC203E	VALV. 255/760C BW 07 INJ F SYMBOL 12/230V 50HZ EURO PLUG	10	16		568,37
AC206E	VALV. 255/760C BW 08 INJ G SYMBOL 12/230V 50HZ EURO PLUG	10	16		568,37
AC209E	VALV. 255/760C BW 09 INJ H SYMBOL 12/230V 50HZ EURO PLUG	10	16		568,37
AC212E	VALV. 255/760C BW 10 INJ J SYMBOL 12/230V 50HZ EURO PLUG	10	16		568,37
AC212EE	VALV. 255/760C BW 10 INJ J SYMBOL 12/230V 50HZ ENG. PLUG	10	16		568,37
AC215E	VALV. 255/760C BW 12 INJ K SYMBOL 12/230V 50HZ EURO PLUG	10	16		568,37
AC218E	VALV. 255/760C BW 13 INJ L SYMBOL 12/230V 50HZ EURO PLUG	10	16		579,15
AC221E	VALV. 255/760C BW 14 INJ L SYMBOL 12/230V 50HZ EURO PLUG	10	16		579,15
AC101E	VALV. 255/762C .33 F 07 SYMBOL 12/230V 50HZ EUROPLUG	10	17		620,33
AC102E	VALV. 255/762C .33 G 08 SYMBOL 12/230V 50HZ EUROPLUG	10	17		620,33
AC104E	VALV. 255/762C .33 J 10 SYMBOL 12/230V 50HZ EUROPLUG	10	17		619,79
AC105E	VALV. 255/762C .33 K 12 SYMBOL 12/230V 50HZ EUROPLUG	10	17		630,58
AC106E	VALV. 255/762C .33 L 13 SYMBOL 12/230V 50HZ EUROPLUG	10	17		630,58

Characteristics :	
Pressure vessel connection	Threaded 2 ½" 8 UN male
Brine line connection	Threaded ¼" NPT male
Distributor tube O. D. diameter	1,05" (= 27 mm)
Distributor tube length above pressure vessel	29 ± 3 mm
Weight (valve + controller)	1,8 kg
Operating pressure	1,38 ÷ 8,27 bar
Water temperature	2°C ÷ 38°C

Box: WxLxH	Box: Q.ty	Box: Weight	Pallet: WxLxH	Pallet: Q.ty	Pallet: Weight
40x55x50	4	14,3	120x80x210	64	245

Certificates	Manufacturer	Sectors
DM174-2004, ACS, CE, EAC	Pentair	Domestic



Signature Autotrol Residential Valves Kit Series 255 with Series Logix Controller



- the kit includes 36 Autotrol Valves 255-760C;
- for automatic and residential water softening systems;
- valve body in NSF listed Noryl plastic material;
- valve rubber compounded for cold water, NSF listed material; operating flow rate Kv = 3,4;
- backwash flow rate = 22,7 lpm @ Δp 1,72 bar;
- resin volume range = 5 ÷ 75 litres;
- available with 760 C electronic volumetric LOGIX controller;
- with European transformer 12/230V - 50Hz;
- each kit includes 36 pieces of each following items: 256 Bypass, Kit Mounting 255 - 1" 60"L, Coude 1/2", Fittings Union Elbow 3/8" x 3/8" Tube;
- any other adapter, manifold or accessory is not included.

NOTE: these products are not available in stock.

Ref	Description	Fam.	Subfam.		Price Euro
SIG255WQ-001	255 MTD + 760C WITH ACCESSORIES - 06	10	16		21666,62
SIG255WQ-002	255 MTD + 760C WITH ACCESSORIES - 07	10	16		21666,62
SIG255WQ-003	255 MTD + 760C WITH ACCESSORIES - 08	10	16		21666,62
SIG255WQ-004	255 MTD + 760C WITH ACCESSORIES - 10	10	16		21666,62

Characteristics :	
Pressure vessel connection	Threaded 2 ½" 8 UN male
Brine line connection	Threaded ¼" NPT male
Distributor tube O. D. diameter	1,05" (= 27 mm)
Distributor tube length above pressure vessel	29 ± 3 mm
Weight (valve + controller)	1,8 kg
Operating pressure	1,38 ÷ 8,27 bar
Water temperature	2°C ÷ 38°C

Box: WxLxH	Box: Q.ty	Box: Weight	Pallet: WxLxH	Pallet: Q.ty	Pallet: Weight

Certificates	Manufacturer	Sectors
DM174-2004, ACS, CE, EAC	Pentair	Domestic



Residential Duplex Systems with Autotrol Valves Series 255 Twin and 764 Controller



- For automatic and residential / commercial water softening systems;
- For twin alternating and twin parallel systems;
- consisting of n.2 valves (one "main" and another one "secondary") with 764 electronic volumetric;
- with European transformer 12/230V - 50Hz;
- valve body in NSF listed Noryl plastic material;
- valve rubber compounded for cold water, NSF listed material;
- operating flow rate for each tank $K_v = 3,4$;
- backwash flow rate for each tank = 22,7 lpm @ Δp 1,72 bar;
- resin volume range for each tank = 5 ÷ 75 litres;
- interconnection kit (REF. AV119) and accessories (e.g. upper screen, etc.) not included, to order separately.

Ref	Description	Fam.	Subfam.		Price Euro
AF054E	VALV. 255/764 TWIN BW 10 INJ J SYMBOL 12/230V 50HZ EURO PLUG	10	30		941,00
AF056E	VALV. 255/764 TWIN BW 13 INJ L SYMBOL 12/230V 50HZ EURO PLUG	10	30		941,01

Characteristics:	
Pressure vessel connection	Threaded 2 1/2" 8 UN male
Drain line connection	Threaded 1/2" male, included in interconnection kit
Brine line connection	Threaded 1/4" NPT male
Distributor tube O. D. diameter	1,05" (= 27 mm)
Distributor tube length above pressure vessel	29 ± 3 mm
Weight (valve + controller)	1,8 kg
Operating pressure	1,38 ÷ 8,27 bar
Water temperature	2°C ÷ 38°C

Box: WxLxH	Box: Q.ty	Box: Weight	Pallet: WxLxH	Pallet: Q.ty	Pallet: Weight
	2				

Certificates	Manufacturer	Sectors
DM174-2004, ACS, CE, EAC	Pentair	Domestic



Autotrol Residential Valves Series 263 with 460tc Controller

- For automatic and residential water filtration systems;
- with 460tc electronic chronometric controller;
- valve body in NSF listed Noryl plastic material;
- valve rubber compounded for cold water, NSF listed material;
- operating flow rate $K_v = 5,6$;
- backwash flow rate = 75,7 lpm @ Δp 1,72 bar;
- with European transformer 12/230V - 50Hz;
- adapters and manifold kit not included, to order separately;
- accessories (ex. upper screen, etc.) not included.



Ref	Description	Fam.	Subfam.		Price Euro
AL060	VALV. 263/460tc 118' BW 12 - 12V.50 HZ SYM	10	45		511,90

Characteristics :	
Pressure vessel connection	Threaded 2 ½" 8 UN male
Drain line connection	Threaded ¾" NPT, male
Brine line connection	Threaded ¾" NPT, male
Distributor tube O. D. diameter	1,05" (= 27 mm)
Distributor tube length above pressure vessel	29 ± 3 mm
Weight (valve + controller)	2,00 kg
Operating pressure	1,38 ÷ 8,27 bar
Water temperature	2°C ÷ 38°C

Box: WxLxH	Box: Q.ty	Box: Weight	Pallet: WxLxH	Pallet: Q.ty	Pallet: Weight
	4				

Certificates	Manufacturer	Sectors
DM174-2004, ACS, CE, EAC	Pentair	Domestic



Autotrol Residential Valves Series 268 with Series Logix Controller



- For automatic and residential water softening systems;
- valve body in NSF listed Noryl plastic material;
- valve rubber compounded for cold water, NSF listed material;
- operating flow rate Kv = 5,6;
- backwash flow rate = 75,7 lpm @ Δp 1,72 bar;
- resin volume range = 30 ÷ 125 litres;
- available with series LOGIX controller:
- 740 C electronic chronometric;
- 760 C electronic volumetric;
- 742 C electronic chronometric programmable;
- 762 C electronic volumetric programmable;
- with European transformer 12/230V - 50Hz;
- adapters and manifold kit not included, to order separately;
- accessories (e.g. upper screen, etc.) not included.

Ref	Description	Fam.	Subfam.		Price Euro
AM218E	VALV. 268/740C BW 13 INJ L SYMBOL 12/230V 50HZ EURO PLUG	10	47		466,06
AM061E	VALV. 268/742C .33 J 10 SYMBOL 12/230V 50HZ EUROPLUG	10	46		512,71
AM062E	VALV. 268/742C .33 K 12 SYMBOL 12/230V 50HZ EUROPLUG	10	46		512,67
AP221E	VALV. 268/760C BW 14 INJ L SYMBOL 12/230V 50HZ EURO PLUG	10	49		656,31
AP042E	VALV. 268/762C .33 K 12 SYMBOL 12/230V 50HZ EUROPLUG	10	51		707,81
AP044E	VALV. 268/762C .33 L 14 SYMBOL 12/230V 50HZ EUROPLUG	10	51		676,72

Characteristics:	
Pressure vessel connection	Threaded 2 ½" 8 UN male
Drain line connection	Threaded ¾" NPT, male
Brine line connection	Threaded ¾" NPT, male
Distributor tube O. D. diameter	1,05" (= 27 mm)
Distributor tube length above pressure vessel	½" ± ½" (= 13 ± 13 mm)
Weight (valve + controller)	2,42 kg
Operating pressure	1,38 ÷ 8,27 bar
Water temperature	2°C ÷ 38°C

Box: WxLxH	Box: Q.ty	Box: Weight	Pallet: WxLxH	Pallet: Q.ty	Pallet: Weight
	4				

Certificates	Manufacturer	Sectors
DM174-2004, ACS, CE, EAC	Pentair	Domestic



Autotrol Residential Valves Series 263 with Series Logix Controller



- For automatic and residential water filtration systems;
- valve body in NSF listed Noryl plastic material;
- valve rubber compounded for cold water, NSF listed material;
- operating flow rate $K_v = 5,6$;
- backwash flow rate = 75,7 lpm @ Δp 1,72 bar;
- available with series LOGIX controller:
- 740 F electronic chronometric;
- 742 F electronic chronometric programmable;
- with European transformer 12/230V - 50Hz;
- adapters and manifold kit not included, to order separately;
- accessories (e.g. upper screen, etc.) not included.

Ref	Description	Fam.	Subfam.		Price Euro
AL209E	VALV. 263/740F BW 13 INJ H SYMBOL 12/230V 50HZ EURO PLUG	10	43		476,54
AL215E-00	VALV.263/740F NO BW INJ K SYMBOL 12/230V 50HZ EURO PLUG	10	43		447,68
AL075E-00	VALV.263/742F NO BW INJ L SYMBOL 12/230V 50HZ EURO PLUG	10	41		486,71

Characteristics:	
Pressure vessel connection	Threaded 2 1/2" 8 UN male
Drain line connection	Threaded 3/4" NPT, male
Brine line connection	Threaded 3/8" NPT, male
Distributor tube O. D. diameter	1,05" (= 27 mm)
Distributor tube length above pressure vessel	1/2" \pm 1/2" (= 13 \pm 13 mm)
Weight (valve + controller)	2,42 kg
Operating pressure	1,38 \div 8,27 bar
Water temperature	2°C \div 38°C

Box: WxLxH	Box: Q.ty	Box: Weight	Pallet: WxLxH	Pallet: Q.ty	Pallet: Weight
	4				

Certificates	Manufacturer	Sectors
DM174-2004, ACS, CE, EAC	Pentair	Domestic



Signature Autotrol Residential Valves Kit 263-740F



- the kit includes 48 Autotrol Valves 263-740F;
- for automatic and residential water filtration systems;
- valve body in NSF listed Noryl plastic material;
- valve rubber compounded for cold water, NSF listed material;
- operating flow rate $K_v = 5,6$;
- backwash flow rate = 75,7 lpm @ Δp 1,72 bar;
- with 740 F electronic chronometric LOGIX controller:
- with European transformer 12/230V - 50Hz;
- the kit includes 48 pieces of each following items: 1265 Bypass, Distributor Basket Top 1,05", FTG Hose Adapter Elbow 1,2" Hose 3/4";
- any other adapter, manifold or accessory is not included.

NOTE: this product is not available in stock.

Ref	Description	Fam.	Subfam.		Price Euro
SIG263WC-001	263 + 740F	10	43		22608,63

Characteristics:	
Pressure vessel connection	Threaded 2 ½" 8 UN male
Drain line connection	Threaded ¾" NPT, male
Brine line connection	Threaded ¾" NPT, male
Distributor tube O. D. diameter	1,05" (= 27 mm)
Distributor tube length above pressure vessel	½" ± ½" (= 13 ± 13 mm)
Weight (valve + controller)	2,42 kg
Operating pressure	1,38 ÷ 8,27 bar
Water temperature	2°C ÷ 38°C

Box: WxLxH	Box: Q.ty	Box: Weight	Pallet: WxLxH	Pallet: Q.ty	Pallet: Weight

Certificates	Manufacturer	Sectors
DM174-2004, ACS, CE, EAC	Pentair	Domestic



Autotrol Residential Valves Series 268FA with Series Logix Controller



- For automatic and residential water 5 cycles iron removal systems;
- valve body in NSF listed Noryl plastic material;
- valve rubber compounded for cold water, NSF listed material;
- operating flow rate Kv = 5,6;
- backwash flow rate = 75,7 lpm @ Δp 1,72 bar;
- available with series LOGIX controller:
- 742 F electronic chronometric programmable;
- 762 F electronic volumetric programmable;
- with European transformer 12/230V - 50Hz;
- adapters and manifold kit not included, to order separately;
- accessories (e.g. upper screen, etc.) not included.

Ref	Description	Fam.	Subfam.		Price Euro
AQ066E	VALV. 268FA/742 BW 10 GPM (13") INJ L SYMBOL 12/230V 50HZ EURO PLUG	10	48		512,71

Characteristics :	
Pressure vessel connection	Threaded 2 ½" 8 UN male
Drain line connection	Threaded ¾" NPT, male
Brine line connection	Threaded ¾" NPT, male
Distributor tube O. D. diameter	1,05" (= 27 mm)
Distributor tube length above pressure vessel	½" ± ½" (= 13 ± 13 mm)
Weight (valve + controller)	2,42 kg
Operating pressure	1,38 ÷ 8,27 bar
Water temperature	2°C ÷ 38°C

Box: WxLxH	Box: Q.ty	Box: Weight	Pallet: WxLxH	Pallet: Q.ty	Pallet: Weight
	4				

Certificates	Manufacturer	Sectors
DM174-2004, ACS, CE, EAC	Pentair	Domestic



Autotrol Residential Valves Series 278 with Series Logix Controller



- For automatic water softening systems with high resin volume;
- valve body in NSF listed Noryl plastic material;
- valve rubber compounded for cold water, NSF listed material;
- operating flow rate Kv = 5,6;
- backwash flow rate = 75,7 lpm @ Δp 1,72 bar;
- resin volume range = 45 ÷ 225 litres;
- available with series LOGIX controller:
- 742 C electronic chronometric programmable;
- 762 C electronic volumetric programmable;
- with European transformer 12/230V - 50Hz;
- adapters and manifold kit not included, to order separately;
- accessories (e.g. upper screen, etc.) not included.

Ref	Description	Fam.	Subfam.		Price Euro
AR104E	VALV. 278/742C 1.3 M 14 SYMBOL 12/230V 50HZ EUROPLUG	10	60		579,34
AR105E	VALV. 278/742C 1.3 N 16 (7 GPM) SYMBOL 12/230V 50HZ EURO PLUG	10	60		579,34
AR106E	VALV. 278/742C 1.3 Q 18 (9 GPM) SYMBOL 12/230V 50HZ EURO PLUG	10	60		589,67
AR114E	VALV. 278/762C 1.3 M 14 SYMBOL 12/230V 50HZ EUROPLUG	10	60		746,80
AR115E	VALV. 278/762C 1.3 N 16 (7 GPM) SYMBOL 12/230V 50HZ EURO PLUG	10	60		750,44
AR116E	VALV. 278/762C 1.3 Q 18 (9 GPM) SYMBOL 12/230V 50HZ EURO PLUG	10	60		750,44
AR117E	VALV. 278/762C 1.3 R 21 (12 GPM) SYMBOL 12/230V 50HZ EURO PLUG	10	60		746,76

Characteristics :	
Pressure vessel connection	Threaded 2 ½" 8 UN male
Drain line connection	Threaded ¾" NPT, male
Brine line connection	Threaded ¾" NPT, male
Distributor tube O. D. diameter	1,05" (= 27 mm)
Distributor tube length above pressure vessel	½" ± ½" (= 13 ± 13 mm)
Weight (valve + controller)	2,42 kg
Operating pressure	1,38 ÷ 8,27 bar
Water temperature	2°C ÷ 38°C

Box: WxLxH	Box: Q.ty	Box: Weight	Pallet: WxLxH	Pallet: Q.ty	Pallet: Weight
	4				

Certificates	Manufacturer	Sectors
DM174-2004, CS, CE, EAC	Pentair	Commercial, Industrial



Residential Duplex Systems with Autotrol Residential Valves Series 278 Twin and 764 Controller



- For automatic and residential / commercial water softening systems;
- for twin alternating and twin parallel systems;
- consisting of n.2 valves (one "main" and another one "secondary") with 764 electronic volumetric;
- with European transformer 12/230V - 50Hz;
- valve body in NSF listed Noryl plastic material;
- valve rubber compounded for cold water, NSF listed material;
- operating flow rate for each tank $K_v = 5,6$;
- backwash flow rate for each tank = 75,7 lpm @ Δp 1,72 bar;
- resin volume range for each tank = 45 ÷ 225 litres;
- interconnection kit and accessories (e.g. upper screen, etc.) not included, to order separately

Ref	Description	Fam.	Subfam.		Price Euro
AN083E	VALV. 278/764 TWIN 1.3 M 14 SYMBOL 12/230V 50HZ EURO PLUG	10	53		1280,99
AN084E	VALV. 278/764 TWIN 1.3 N 16 (7 GPM) SYMBOL 12/230V 50HZ EURO PLUG	10	53		1281,57
AN085E	VALV. 278/764 TWIN 1.3 Q 18 (9 GPM) SYMBOL 12/230V 50HZ EURO PLUG	10	53		1283,57
AN086E	VALV. 278/764 TWIN 1.3 R 21 (12 GPM) SYMBOL 12/230V 50HZ EURO PLUG	10	53		1414,78

Characteristics :	
Pressure vessel connection	Threaded 2 ½" 8 UN male
Drain line connection	Threaded ¾" NPT, male
Brine line connection	Threaded ¾" NPT, male
Distributor tube O. D. diameter	1,05" (= 27 mm)
Distributor tube length above pressure vessel	½" ± ½" (= 13 ± 13 mm)
Weight (valve + controller)	2,42 kg
Operating pressure	1,38 ÷ 8,27 bar
Water temperature	2°C ÷ 38°C

Box: WxLxH	Box: Q.ty	Box: Weight	Pallet: WxLxH	Pallet: Q.ty	Pallet: Weight
40x55x50	2	14,3	120x80x210	32	245

Certificates	Manufacturer	Sectors
DM174-2004, ACS, CE, EAC	Pentair	Commercial, Industrial



Autotrol Residential Valves Series 278 with 764 Controller for Multitank Systems



- For automatic and residential / commercial water softening systems;
- with electronic volumetric 764 controller;
- for parallel systems;
- valve body in NSF listed Noryl plastic material;
- valve rubber compounded for cold water, NSF listed material;
- operating flow rate for each tank $K_v = 5,6$;
- backwash flow rate for each tank = $75,7 \text{ lpm} @ \Delta p 1,72 \text{ bar}$;
- resin volume range for each tank = $45 \div 225 \text{ litres}$;
- with European transformer 12/230V - 50Hz for each valve;
- adapters and manifold kit not included, to order separately
- accessories (e.g. upper screen, etc.) not included.

Ref	Description	Fam.	Subfam.		Price Euro
AN103E	VALV. 278/764L 1.3 M 14 SYMBOL 12/230V 50HZ EUROPLUG	10	53		863,43

Characteristics :	
Pressure vessel connection	Threaded 2 1/2" 8 UN male
Drain line connection	Threaded 3/4" NPT, male
Brine line connection	Threaded 3/8" NPT, male
Distributor tube O. D. diameter	1,05" (= 27 mm)
Distributor tube length above pressure vessel	1/2" ± 1/2" (= 13 ± 13 mm)
Weight (valve + controller)	2,42 kg
Operating pressure	1,38 ÷ 8,27 bar
Water temperature	2°C ÷ 38°C

Box: WxLxH	Box: Q.ty	Box: Weight	Pallet: WxLxH	Pallet: Q.ty	Pallet: Weight
	4				

Certificates	Manufacturer	Sectors
DM174-2004, ACS, CE, EAC	Pentair	Commercial, Industrial



Autotrol Industrial Softening Magnum CV 1,5" Valves with Series Logix Controller



- For automatic and industrial water softening systems;
- valve body in NSF listed Noryl plastic material with 304 Stainless Steel tank adapter (for heavy applications, like iron removal using KMnO4 or decarbonisation using HCl, the Noryl tank adapter is available on request);
- o-rings in EPDM material;
- operating flow rate Kv = 17,3;
- backwash flow rate = 337 lpm @ Δp 1,72 bar;
- resin volume range = 100 ÷ 700 litres;
- available with series LOGIX controller;
- 742 electronic chronometric programmable;
- 762 electronic volumetric programmable;
- with European transformer 12/230V - 50/60 Hz;
- available with or without by-pass;
- adapters, manifold kit and accessories (e.g. upper screen, etc.) not included, to order separately;
- brine tank refill system doesn't need a brine valve, but just an air-check;
- PVC 2" side mounting adapter available on demand;
- if you want to connect the 2" turbine, you must order our ref. CD163 separately.

Ref	Description	Fam.	Subfam.		Price Euro
CA201E	MAGNUM 1.5" 298/742 16" (6 GPM) HWB SYMBOL 12/230V 50HZ EURO PLUG	20	80		1344,12
CA205E	MAGNUM 1.5" 298/742 30" (20 GPM) HWB SYMBOL 12/230V 50HZ EURO PLUG	20	80		1344,12
CA215E	MAGNUM 1.5" 298/742 30" (20 GPM) NHB SYMBOL 12/230V 50HZ EURO PLUG	20	80		1468,12
CA221E	MAGNUM 1.5" 298/762 16" (6 GPM) HWB SYMBOL 12/230V 50HZ EURO PLUG	20	80		1866,41
CA222E	MAGNUM 1.5" 298/762 18" (8 GPM) HWB SYMBOL 12/230V 50HZ EURO PLUG	20	80		1867,11
CA236E	MAGNUM 1.5" 298/762 36" (30 GPM) NHB SYMBOL 12/230V 50HZ EURO PLUG	20	80		1990,41

Characteristics:	
Pressure vessel connection	Threaded 4" - 8 UN male
Drain line connection	1,5" SS - NPT/BSPT male D50 CPVC to glue
Brine line connection	Threaded ¾" NPT male
Distributor tube O. D. diameter	1,5" (= 48,3 mm)
Pilot drain and auxiliary hydraulic out	¼" tube fitting Jaco
Distributor tube length above pressure vessel	16 ± 3 mm
Weight (valve + controller)	12,3 kg
Operating pressure	1,72 ÷ 6,90 bar
Water temperature	1°C ÷ 36°C

Box: WxLxH	Box: Q.ty	Box: Weight	Pallet: WxLxH	Pallet: Q.ty	Pallet: Weight
41x60x50	1	17,0	120x80x210	16	28,5

Certificates	Manufacturer	Sectors
DM174-2004 CE, EAC	Pentair	Commercial, Industrial



Autotrol Industrial Magnum CV 1,5" Valves for Filtration with Series Logix Controller



- For automatic and industrial water filtration systems;
- valve body in NSF listed Noryl plastic material with 304 Stainless Steel tank adapter (for heavy applications, like sea water, the Noryl tank adapter is available on request);
- o-rings in EPDM material;
- operating flow rate Kv = 17,3;
- backwash flow rate = 337 lpm @ Δp 1,72 bar;
- available with series LOGIX controller
- 742 F electronic chronometric programmable;
- 762 F electronic volumetric programmable;
- with European transformer 12/230V - 50/60 Hz;
- available with or without by-pass;
- adapters, manifold kit and accessories (e.g. upper screen, etc.) not included, to order separately
- PVC 2" side mounting adapter available on demand (REF. CC084).

Ref	Description	Fam.	Subfam.		Price Euro
CA240E	MAGNUM 1.5" 293/742F (5 GPM) UWB SYMBOL 12/230V 50HZ EURO PLUG	20	80		1344,43
CA241E	MAGNUM 1.5" 293/742F (5 GPM) NUB SYMBOL 12/230V 50HZ EURO PLUG	20	80		1456,99

Characteristics:	
Pressure vessel connection	Threaded 4" - 8 UN male
Drain line connection	1,5" SS - NPT/BSPT male D50 CPVC to glue
Brine line connection	Threaded 3/4" NPT male
Distributor tube O. D. diameter	1,5" (= 48,3 mm)
Pilot drain and auxiliary hydraulic out	1/4" tube fitting Jaco
Distributor tube length above pressure vessel	16 ± 3 mm
Weight (valve + controller)	12,3 kg
Operating pressure	1,72 ÷ 6,90 bar
Water temperature	1°C ÷ 36°C

Box: WxLxH	Box: Q.ty	Box: Weight	Pallet: WxLxH	Pallet: Q.ty	Pallet: Weight
	1				

Certificates	Manufacturer	Sectors
DM174-2004 CE, EAC	Pentair	Commercial, Industrial



Autotrol Industrial Softening Magnum IT 2" Valves with Series Logix Controller



- for automatic and industrial water softening systems;
- valve body in NSF listed Noryl plastic material with 304 Stainless Steel tank adapter (for heavy applications, like iron removal using KMnO4 or decarbonisation using HCl, the Noryl tank adapter is available on request);
- o-rings in EPDM material;
- operating flow rate Kv = 18,2;
- backwash flow rate = 337 lpm @ Δp 1,72 bar;
- resin volume range = 100 ÷ 700 litres;
- available with series LOGIX controller:
- 742 electronic chronometric programmable;
- 762 electronic volumetric programmable;
- with European transformer 12/230V - 50/60 Hz;
- available with or without by-pass;
- adapters, manifold kit and accessories (e.g. upper screen, etc.) not included, to order separately;
- brine tank refill system doesn't need a brine valve, but just an air-check;
- PVC 2" side mounting adapter available on demand (REF. CC084).

Ref	Description	Fam.	Subfam.		Price Euro
CB202E	MAGNUM IT 2" 298/742 18" (8 GPM) HWB SYMBOL 12/230V 50HZ EURO PLUG	20	81		1499,36
CB221E	MAGNUM IT 2" 298/762 16" (6 GPM) HWB SYMBOL 12/230V 50HZ EURO PLUG	20	81		2021,65
CB222E	MAGNUM IT 2" 298/762 18" (8 GPM) HWB SYMBOL 12/230V 50HZ EURO PLUG	20	81		2021,65
CB223E	MAGNUM IT 2" 298/762 21" (10 GPM) HWB SYMBOL 12/230V 50HZ EURO PLUG	20	81		2021,65
CB224E	MAGNUM IT 2" 298/762 24" (14 GPM) HWB SYMBOL 12/230V 50HZ EURO PLUG	20	81		1962,75
CB226E	MAGNUM IT 2" 298/762 36" (30 GPM) HWB SYMBOL 12/230V 50HZ EURO PLUG	20	81		2021,65
CB234E	MAGNUM IT 2" 298/762 24" (14 GPM) NHB SYMBOL 12/230V 50HZ EURO PLUG	20	81		2134,67
CB236E	MAGNUM IT 2" 298/762 36" (30 GPM) NHB SYMBOL 12/230V 50HZ EURO PLUG	20	81		2134,67

Characteristics:	
Pressure vessel connection	Threaded 4" - 8 UN male
Drain line connection	1,5" SS - NPT/BSPT male D50 CPVC to glue
Brine line connection	Threaded 3/4" NPT male
Distributor tube O. D. diameter	1,5" (= 48,3 mm)
Pilot drain and auxiliary hydraulic out	Jaco 1/4" tubo
Distributor tube length above pressure vessel	16 ± 3 mm
Weight (valve + controller)	12,3 kg
Operating pressure	1,72 ÷ 6,90 bar
Water temperature	1°C ÷ 36°C

Box: WxLxH	Box: Q.ty	Box: Weight	Pallet: WxLxH	Pallet: Q.ty	Pallet: Weight
	1				

Certificates	Manufacturer	Sectors
DM174-2004 CE, EAC	Pentair	Commercial, Industrial



Autotrol Industrial Magnum IT 2" Valves for Filtration with Series Logix Controller



- For automatic and industrial water filtration systems;
- valve body in NSF listed Noryl plastic material with 304 Stainless Steel tank adapter (for heavy applications, like sea water, the Noryl tank adapter is available on request);
- o-rings in EPDM material;
- operating flow rate Kv = 18,2;
- backwash flow rate = 337 lpm @ Δp 1,72 bar;
- available with series LOGIX controller;
- 742 F electronic chronometric programmable;
- 762 F electronic volumetric programmable;
- with European transformer 12/230V - 50/60 Hz;
- available with or without by-pass;
- adapters, manifold kit and accessories (e.g. upper screen, etc.) not included, to order separately;
- PVC 2" side mounting adapter available on demand (REF. CC084).

Ref.	Description	Fam.	Subfam.		Price Euro
CB240E	MAGNUM IT 2" 293/742F (5 GPM) UWB SYMBOL 12/230V50HZ EURO PLUG	20	81		1499,67
CB241E	MAGNUM IT 2" 293/742F (5 GPM) NUB SYMBOL 12/230V50HZ EURO PLUG	20	81		1612,64
CB245E	MAGNUM IT 2" 293/762F (5 GPM) NUB SYMBOL 12/230V50HZ EURO PLUG	20	81		2134,71

Characteristics :	
Pressure vessel connection	Threaded 4" - 8 UN male
Drain line connection	1,5" SS - NPT/BSPT male D50 CPVC to glue
Brine line connection	Threaded ¾" NPT male
Distributor tube O. D. diameter	1,5" (= 48,3 mm)
Pilot drain and auxiliary hydraulic out	¼" tube fitting Jaco
Distributor tube length above pressure vessel	16 ± 3 mm
Weight (valve + controller)	12,3 kg
Operating pressure	1,72 ÷ 6,90 bar
Water temperature	1°C ÷ 36°C

Box: WxLxH	Box: Q.ty	Box: Weight	Pallet: WxLxH	Pallet: Q.ty	Pallet: Weight
	1				

Certificates	Manufacturer	Sectors
DM174-2004 CE, EAC	Pentair	Commercial, Industrial



Industrial Duplex Systems with Autotrol Softening Magnum IT 2" Valves and 764 Controller



- For automatic and industrial water softening systems;
- for twin alternating and twin parallel systems;
- consisting of n.2 valves (one "main" and another one "secondary") with 764 electronic volumetric;
- valve body in NSF listed Noryl plastic material with 304 Stainless Steel tank adapter (for heavy applications, like iron removal using KMnO4 or decarbonisation using HCl, the Noryl tank adapter is available on request);
- o-rings in EPDM material;
- operating flow rate for each tank $K_v = 18,2$;
- backwash flow rate for each tank = 337 lpm @ Δp 1,72 bar;
- resin volume range for each tank = 100 ÷ 700 litres;
- with European transformer 12/230V - 50/60 Hz;
- available with or without by-pass;
- adapters, manifold kit and accessories (e.g. upper screen, etc.) not included, to order separately;
- brine tank refill system doesn't need a brine valve, but just an air-check;
- PVC 2" side mounting adapter available on demand (REF. CC084);
- interconnection not included.

Ref	Description	Fam.	Subfam.		Price Euro
CB250E	MAGNUM 298 2" MIT-TWS-764-14" (5 GPM) NHB SYMBOL12/230V 50HZ EURO PLUG	20	81		4043,10
CB251E	MAGNUM 298 2" MIT-TWS-764-16" (6 GPM) NHB SYMBOL12/230V 50HZ EURO PLUG	20	81		4032,24
CB252E	MAGNUM 298 2" MIT-TWS-764-18" (8 GPM) NHB SYMBOL12/230V 50HZ EURO PLUG	20	81		4032,24
CB253E	MAGNUM 298 2" MIT-TWS-764-21" (10 GPM) NHB SYMBOL12/230V 50HZ EURO PLUG	20	81		4032,24
CB254E	MAGNUM 298 2" MIT-TWS-764-24" (14 GPM) NHB SYMBOL12/230V 50HZ EURO PLUG	20	81		4032,24
CB255E	MAGNUM 298 2" MIT-TWS-764-30" (20 GPM) NHB SYMBOL12/230V 50HZ EURO PLUG	20	81		4032,24
CB256E	MAGNUM 298 2" MIT-TWS-764-36" (30 GPM) NHB SYMBOL12/230V 50HZ EURO PLUG	20	81		4032,24

Characteristics:	
Pressure vessel connection	Threaded 4" - 8 UN male
Drain line connection	1,5" SS - NPT/BSPT male D50 CPVC to glue
Brine line connection	Threaded 3/4" NPT male
Distributor tube O. D. diameter	1,5" (= 48,3 mm)
Pilot drain and auxiliary hydraulic out	1/4" tube fitting Jaco
Distributor tube length above pressure vessel	16 ± 3 mm
Weight (valve + controller)	12,3 kg
Operating pressure	1,72 ÷ 6,90 bar
Water temperature	1°C ÷ 36°C

Box: WxLxH	Box: Q.ty	Box: Weight	Pallet: WxLxH	Pallet: Q.ty	Pallet: Weight
41x60x50	1	34,0	120x80x210	8	28,5

Certificates	Manufacturer	Sectors
DM174-2004 CE, EAC	Pentair	Commercial, Industrial



Autotrol Industrial Softening Magnum IT 2" Valves with 764 Controller for Multitank Systems



- For automatic and industrial water softening systems;
- with electronic volumetric 764 controller;
- for parallel systems;
- valve body in NSF listed Noryl plastic material with 304 Stainless Steel tank adapter (for heavy applications, like iron removal using KMnO4 or decarbonisation using HCl, the Noryl tank adapter is available on request);
- o-rings in EPDM material;
- operating flow rate for each tank $K_v = 18,2$;
- backwash flow rate for each tank = 337 lpm @ Δp 1,72 bar;
- resin volume range for each tank = 100 ÷ 700 litres;
- with European transformer 12/230V - 50/60 Hz for each valve;
- available with or without by-pass;
- adapters, manifold kit and accessories (e.g. upper screen, etc.) not included, to order separately;
- brine tank refill system doesn't need a brine valve, but just an air-check;
- PVC 2" side mounting adapter available on demand;
- interconnection not included.

Ref	Description	Fam.	Subfam.		Price Euro
CB266E	MAGNUM 298 2" MIT-SN-764-36" (30 GPM) NHB SYMBOL12/230V 50HZ EURO PLUG	20	81		2100,58

Characteristics:	
Pressure vessel connection	Threaded 4" - 8 UN male
Drain line connection	1,5" SS - NPT/BSPT male D50 CPVC to glue
Brine line connection	Threaded 3/4" NPT male
Distributor tube O. D. diameter	1,5" (= 48,3 mm)
Pilot drain and auxiliary hydraulic out	1/4" tube fitting Jaco
Distributor tube length above pressure vessel	16 ± 3 mm
Weight (valve + controller)	12,3 kg
Operating pressure	1,72 ÷ 6,90 bar
Water temperature	1°C ÷ 36°C

Box: WxLxH	Box: Q.ty	Box: Weight	Pallet: WxLxH	Pallet: Q.ty	Pallet: Weight
	1				

Certificates	Manufacturer	Sectors
DM174-2004 CE, EAC	Pentair	Commercial, Industrial



Series 400 Controllers for Autotrol Valves Series 255 - 263 - 268

Controllers for softeners characteristics

Characteristic	440i	460tc	460i
Controller type	Electromechanical	Electronic	Electronic
Regeneration mode	Chronometric: 7 or 6 day	Chronometric	Volumetric
Regeneration frequency	Daily	Daily	Daily
Regeneration cycle length	59' or 118'	59' or 118'	59' or 118'
Cycle length	Fixed not modifiable	Fixed not modifiable	Fixed not modifiable
Salt setting	Pounds of salt	Pounds of salt	Pounds of salt

Controllers for filtration characteristics

Characteristic		460tc
Controller type		Electronic
Backwash mode		Chronometric
Backwash frequency		Daily
Filter cycle length		Fixed not modifiable

Logix Controllers for Autotrol Valves Series 255 - 263 - 268 - 273 - 278 - 293 - 298

Controllers for softeners characteristics

Characteristics	740 C	760 C	742 C	762 C	764
Controller type	Electronic	Electronic	Electronic	Electronic	Electronic
Regeneration mode	Chronometric	Volumetric	Chronometric	Volumetric	Volumetric
Regeneration frequency	Fixed day or 0,5 ÷ 99 days calendar override	0,5 ÷ 99 days calendar override	Fixed day or 0,5 ÷ 99 days calendar override	0,5 ÷ 99 days calendar override	0,5 ÷ 99 days calendar override
Adjustable regeneration time	Yes	Yes	Yes	Yes	Yes
Cycle length	Computer calculated	Computer calculated	Fully programmable	Fully programmable	Fully programmable
Salt setting	3 options	3 options	Fully adjustable	Fully adjustable	Fully adjustable

Controllers for filtration characteristics

Characteristics	740 F	760 F	742 F	762 F	764 F
Controller type	Electronic	Electronic	Electronic	Electronic	Electronic
Backwash mode	Chronometric	Volumetric	Chronometric	Volumetric	Volumetric
Backwash frequency	Fixed day or 0,5 ÷ 99 days calendar override	0,5 ÷ 99 days calendar override	Fixed day or 0,5 ÷ 99 days calendar override	0,5 ÷ 99 days calendar override	0,5 ÷ 99 days calendar override
Adjustable cycle times	Programmable back wash time	Programmable back wash time	Fully programmable	Fully programmable	Fully programmable
Filter cycle length	Computer calculated	Computer calculated	Fully adjustable	Fully adjustable	Fully adjustable





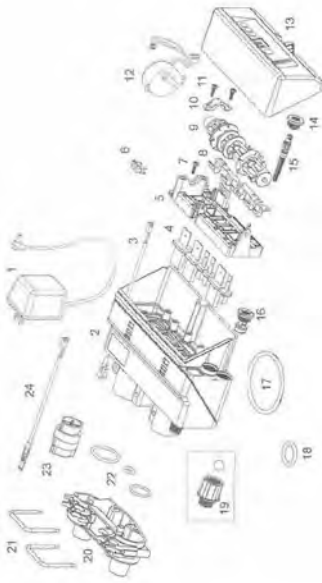
368/604 VALVE PARTS LIST



Number	Ref	P.N.	Description	Fam.	Subfam.		Price Euro
1	AW500	1000814	EUROPEAN TRANSFORMER 230/12V	10	64		46,00
1	AW501	1000813	BRITISH TRANSFORMER	10	64		46,00
4	AW250	3007947	VALVE DISCS KIT FOR 366 367 368	10	64		36,58
6	AW129	1235373	OPTIC SENSOR P/N 1235373	10	64		21,13
7	AW174	3030450	TOP PLATE SCREW NO 8x9/16"	10	64		0,96
8	AW252	3022017	SPRING ONE PIECE 366 367 368	10	64		12,72
9	AW253	3022014	CAMSHAFT FOR 366 367 368	10	64		25,49
10	CD100	1000589	PILLOW BLOCK CAP	20	83		4,13
11	AW174	3030450	TOP PLATE SCREW NO 8x9/16"	10	64		0,96
12	AW254	3026537	MOTOR CABLE ASSEMBLY 366 367 368	10	64		87,15
13	AW280	4001737	TIMER 604 12V 50-60HZ	10	64		110,70
14	AW107	1000269	INJECTOR CAP/BACKWASH OPEN 00	10	64		4,67
15	AW266	3025326	SCREEN ASSEMBLY INJECTOR E YELLOW WITH O-RING + FILTER 366 367 368	10	64		14,00
15	AW267	3025327	SCREEN ASSEMBLY INJECTOR F PEACH WITH O-RING + FILTER 366 367 368	10	64		14,00
15	AW268	3025328	SCREEN ASSEMBLY INJECTOR G TAN WITH O-RING + FILTER 366 367 368	10	64		14,00
15	AW269	3025329	SCREEN ASSEMBLY INJECTOR H LIGHT PURPLE WITH O-RING + FILTER 366 367 368	10	64		14,00
16	AW115	1000221	BRINE REFILL CONTROL ASSEMBLY .14GPM	10	64		20,84
17	AW172	1010154	O-RING ADAPTER FOR PRESSURE VESSEL 2.1/2"	10	64		7,56
18	AW169	1232370	O-RING 1.05"	10	64		1,47
19	AV146	3031526	EXTERNAL BACKWASH CONTROL PEANUT 0.9 GPM # 06	10	62		14,06
19	AV147	3031527	EXTERNAL BACKWASH CONTROL PEANUT 1.20 GPM # 07	10	62		14,06
19	AV148	3031528	EXTERNAL BACKWASH CONTROL PEANUT 1.60 GPM # 08	10	62		14,06
19	AV149	3031529	EXTERNAL BACKWASH CONTROL PEANUT 2.00 GPM # 09	10	62		14,06
20	AW255	3027832	MANIFOLD 3/4" BSPT INLET/OUTLET	10	64		53,74
22	AW257	3031825	O-RING KIT MANIFOLD 367	10	64		4,28
Not shown	AV185	3022042	MIXING VALVE FOR 366-368 VALVE	10	62		13,99



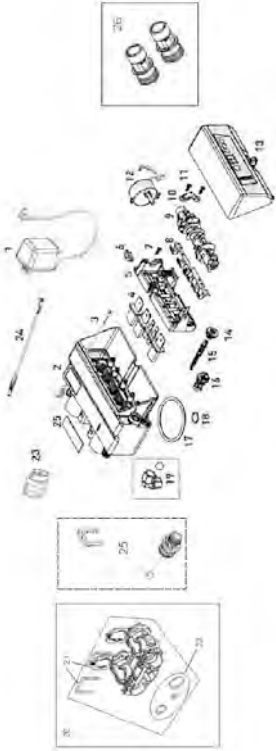
368/606 VALVE PARTS LIST



Number	Ref	P.N.	Description	Fam.	Subfam.		Price Euro
1	AW500	1000814	EUROPEAN TRANSFORMER 230/12V	10	64		46,00
1	AW501	1000813	BRITISH TRANSFORMER	10	64		46,00
4	AW250	3007947	VALVE DISCS KIT FOR 366 367 368	10	64		36,58
6	AW129	1235373	OPTIC SENSOR P/N 1235373	10	64		21,13
7	AW174	3030450	TOP PLATE SCREW NO 8x9/16"	10	64		0,96
8	AW252	3022017	SPRING ONE PIECE 366 367 368	10	64		12,72
9	AW253	3022014	CAMSHAFT FOR 366 367 368	10	64		25,49
10	CD100	1000589	PILLOW BLOCK CAP	20	83		4,13
11	AW174	3030450	TOP PLATE SCREW NO 8x9/16"	10	64		0,96
12	AW254	3026537	MOTOR CABLE ASSEMBLY 366 367 368	10	64		87,15
13	AW281	4001738	TIMER 606 12V 50-60HZ	10	64		103,85
14	AW107	1000269	INJECTOR CAP/BACKWASH OPEN 00	10	64		4,67
15	AW266	3025326	SCREEN ASSEMBLY INJECTOR E YELLOW WITH O-RING + FILTER 366 367 368	10	64		14,00
15	AW267	3025327	SCREEN ASSEMBLY INJECTOR F PEACH WITH O-RING + FILTER 366 367 368	10	64		14,00
15	AW268	3025328	SCREEN ASSEMBLY INJECTOR G TAN WITH O-RING + FILTER 366 367 368	10	64		14,00
15	AW269	3025329	SCREEN ASSEMBLY INJECTOR H LIGHT PURPLE WITH O-RING + FILTER 366 367 368	10	64		14,00
16	AW115	1000221	BRINE REFILL CONTROL ASSEMBLY .14GPM	10	64		20,84
17	AW172	1010154	O-RING ADAPTER FOR PRESSURE VESSEL 2.1/2"	10	64		7,56
18	AW169	1232370	O-RING 1.05"	10	64		1,47
19	AV146	3031526	EXTERNAL BACKWASH CONTROL PEANUT 0.9 GPM # 06	10	62		14,06
19	AV147	3031527	EXTERNAL BACKWASH CONTROL PEANUT 1.20 GPM # 07	10	62		14,06
19	AV148	3031528	EXTERNAL BACKWASH CONTROL PEANUT 1.60 GPM # 08	10	62		14,06
19	AV149	3031529	EXTERNAL BACKWASH CONTROL PEANUT 2.00 GPM # 09	10	62		14,06
20	AW255	3027832	MANIFOLD 3/4" BSPT INLET/OUTLET	10	64		53,74
21	AW256	3027831	CLIP ATTACCO VALV. 367	10	64		19,69
22	AW257	3031825	O-RING KIT MANIFOLD 367	10	64		4,28
24	AW259	3027837	TURBINE CABLE 367	10	64		12,53
Not shown	AV185	3022042	MIXING VALVE FOR 366-368 VALVE	10	62		13,99



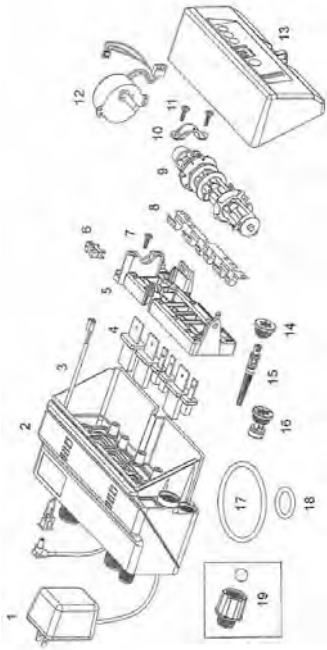
368/606B VALVE EXPLODED VIEW



Number	Ref	P.N.	Description	Fam.	Subfam.		Price Euro
1	AW500	1000814	EUROPEAN TRANSFORMER 230/12V	10	64		46,00
1	AW501	1000813	BRITISH TRANSFORMER	10	64		46,00
4	AW250	3007947	VALVE DISCS KIT FOR 366 367 368	10	64		36,58
6	AW129	1235373	OPTIC SENSOR P/N 1235373	10	64		21,13
7	AW174	3030450	TOP PLATE SCREW NO 8x9/16"	10	64		0,96
8	AW252	3022017	SPRING ONE PIECE 366 367 368	10	64		12,72
9	AW253	3022014	CAMSHAFT FOR 366 367 368	10	64		25,49
10	CD100	1000589	PILLOW BLOCK CAP	20	83		4,13
11	AW174	3030450	TOP PLATE SCREW NO 8x9/16"	10	64		0,96
12	AW254	3026537	MOTOR CABLE ASSEMBLY 366 367 368	10	64		87,15
13	AW281	4001738	TIMER 606 12V 50-60HZ	10	64		103,85
14	AW107	1000269	INJECTOR CAP/BACKWASH OPEN 00	10	64		4,67
15	AW266	3025326	SCREEN ASSEMBLY INJECTOR E YELLOW WITH O-RING + FILTER 366 367 368	10	64		14,00
15	AW267	3025327	SCREEN ASSEMBLY INJECTOR F PEACH WITH O-RING + FILTER 366 367 368	10	64		14,00
15	AW268	3025328	SCREEN ASSEMBLY INJECTOR G TAN WITH O-RING + FILTER 366 367 368	10	64		14,00
15	AW269	3025329	SCREEN ASSEMBLY INJECTOR H LIGHT PURPLE WITH O-RING + FILTER 366 367 368	10	64		14,00
16	AW115	1000221	BRINE REFILL CONTROL ASSEMBLY .14GPM	10	64		20,84
17	AW172	1010154	O-RING ADAPTER FOR PRESSURE VESSEL 2.1/2"	10	64		7,56
18	AW169	1232370	O-RING 1.05"	10	64		1,47
19	AV174		ELBOW DRAIN FITTING 1/2" F	10	62		3,63
20	AW290	4000886	BYPASS VALVE 368/606	10	64		155,98
22	AW257	3031825	O-RING KIT MANIFOLD 367	10	64		4,28
24	AW259	3027837	TURBINE CABLE 367	10	64		12,53
25	AV146B	4001297	EXTERNAL BACKWASH CONTROL 368 BYPASS 0.90 GPM # 0	10	62		21,99
25	AV147B	4001298	EXTERNAL BACKWASH CONTROL 368 BYPASS 1.20 GPM # 0	10	62		21,99
25	AV148B	4001299	EXTERNAL BACKWASH CONTROL 368 BYPASS 1.60 GPM # 0	10	62		21,99
25	AV149B	4001300	EXTERNAL BACKWASH CONTROL 368 BYPASS 2.0 GPM # 09	10	62		21,99
26	AW275	4001606	KIT 3/4" BSP CONNECTORS	10	64		42,65
Not shown	AV185	3022042	MIXING VALVE FOR 366-368 VALVE	10	62		13,99



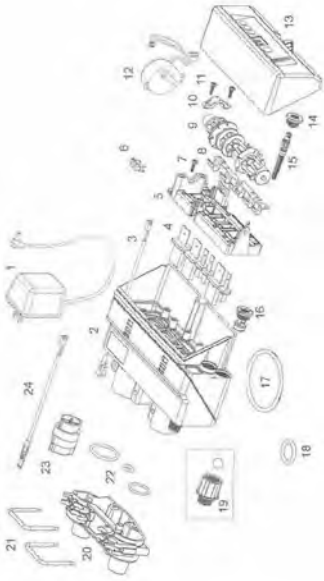
366/604 VALVE PARTS LIST



Number	Ref	P.N.	Description	Fam.	Subfam.		Price Euro
1	AW500	1000814	EUROPEAN TRANSFORMER 230/12V	10	64		46,00
1	AW501	1000813	BRITISH TRANSFORMER	10	64		46,00
4	AW250	3007947	VALVE DISCS KIT FOR 366 367 368	10	64		36,58
6	AW129	1235373	OPTIC SENSOR P/N 1235373	10	64		21,13
7	AW174	3030450	TOP PLATE SCREW NO 8x9/16"	10	64		0,96
8	AW252	3022017	SPRING ONE PIECE 366 367 368	10	64		12,72
9	AW253	3022014	CAMSHAFT FOR 366 367 368	10	64		25,49
10	CD100	1000589	PILLOW BLOCK CAP	20	83		4,13
11	AW174	3030450	TOP PLATE SCREW NO 8x9/16"	10	64		0,96
12	AW254	3026537	MOTOR CABLE ASSEMBLY 366 367 368	10	64		87,15
13	AW280	4001737	TIMER 604 12V 50-60HZ	10	64		110,70
14	AW107	1000269	INJECTOR CAP/BACKWASH OPEN 00	10	64		4,67
15	AW266	3025326	SCREEN ASSEMBLY INJECTOR E YELLOW WITH O-RING + FILTER 366 367 368	10	64		14,00
15	AW267	3025327	SCREEN ASSEMBLY INJECTOR F PEACH WITH O-RING + FILTER 366 367 368	10	64		14,00
15	AW268	3025328	SCREEN ASSEMBLY INJECTOR G TAN WITH O-RING + FILTER 366 367 368	10	64		14,00
15	AW269	3025329	SCREEN ASSEMBLY INJECTOR H LIGHT PURPLE WITH O-RING + FILTER 366 367 368	10	64		14,00
16	AW115	1000221	BRINE REFILL CONTROL ASSEMBLY .14GPM	10	64		20,84
17	AW172	1010154	O-RING ADAPTER FOR PRESSURE VESSEL 2.1/2"	10	64		7,56
18	AW169	1232370	O-RING 1.05"	10	64		1,47
19	AV146	3031526	EXTERNAL BACKWASH CONTROL PEANUT 0.9 GPM # 06	10	62		14,06
19	AV147	3031527	EXTERNAL BACKWASH CONTROL PEANUT 1.20 GPM # 07	10	62		14,06
19	AV148	3031528	EXTERNAL BACKWASH CONTROL PEANUT 1.60 GPM # 08	10	62		14,06
19	AV149	3031529	EXTERNAL BACKWASH CONTROL PEANUT 2.00 GPM # 09	10	62		14,06
Not shown	AV185	3022042	MIXING VALVE FOR 366-368 VALVE	10	62		13,99



367/606 VALVE PARTS LIST



Number	Ref	P.N.	Description	Fam.	Subfam.		Price Euro
1	AW500	1000814	EUROPEAN TRANSFORMER 230/12V	10	64		46,00
1	AW501	1000813	BRITISH TRANSFORMER	10	64		46,00
4	AW250	3007947	VALVE DISCS KIT FOR 366 367 368	10	64		36,58
6	AW129	1235373	OPTIC SENSOR P/N 1235373	10	64		21,13
7	AW174	3030450	TOP PLATE SCREW NO 8x9/16"	10	64		0,96
8	AW252	3022017	SPRING ONE PIECE 366 367 368	10	64		12,72
9	AW253	3022014	CAMSHAFT FOR 366 367 368	10	64		25,49
10	CD100	1000589	PILLOW BLOCK CAP	20	83		4,13
11	AW174	3030450	TOP PLATE SCREW NO 8x9/16"	10	64		0,96
12	AW254	3026537	MOTOR CABLE ASSEMBLY 366 367 368	10	64		87,15
13	AW281	4001738	TIMER 606 12V 50-60HZ	10	64		103,85
14	AW107	1000269	INJECTOR CAP/BACKWASH OPEN 00	10	64		4,67
15	AW266	3025326	SCREEN ASSEMBLY INJECTOR E YELLOW WITH O-RING + FILTER 366 367 368	10	64		14,00
15	AW267	3025327	SCREEN ASSEMBLY INJECTOR F PEACH WITH O-RING + FILTER 366 367 368	10	64		14,00
15	AW268	3025328	SCREEN ASSEMBLY INJECTOR G TAN WITH O-RING + FILTER 366 367 368	10	64		14,00
15	AW269	3025329	SCREEN ASSEMBLY INJECTOR H LIGHT PURPLE WITH O-RING + FILTER 366 367 368	10	64		14,00
16	AW115	1000221	BRINE REFILL CONTROL ASSEMBLY .14GPM	10	64		20,84
17	AW172	1010154	O-RING ADAPTER FOR PRESSURE VESSEL 2.1/2"	10	64		7,56
18	AW169	1232370	O-RING 1.05"	10	64		1,47
19	AV146	3031526	EXTERNAL BACKWASH CONTROL PEANUT 0.9 GPM # 06	10	62		14,06
19	AV147	3031527	EXTERNAL BACKWASH CONTROL PEANUT 1.20 GPM # 07	10	62		14,06
19	AV148	3031528	EXTERNAL BACKWASH CONTROL PEANUT 1.60 GPM # 08	10	62		14,06
19	AV149	3031529	EXTERNAL BACKWASH CONTROL PEANUT 2.00 GPM # 09	10	62		14,06
20	AW255	3027832	MANIFOLD 3/4" BSPT INLET/OUTLET	10	64		53,74
21	AW256	3027831	CLIP ATTACCO VALV. 367	10	64		19,69
22	AW257	3031825	O-RING KIT MANIFOLD 367	10	64		4,28
24	AW259	3027837	TURBINE CABLE 367	10	64		12,53
Not shown	AV185	3022042	MIXING VALVE FOR 366-368 VALVE	10	62		13,99



255-440i/460i/460TC VALVE EXPLODED VIEW & PARTS LIST



Number	Ref	P.N.	Description	Fam.	Subfam.		Price Euro
1+17+19+23+24	AW164A	1000232	255/400 VALVE ASSEMBLY NEW STYLE PLATE W/O FLOW CONTROLS	10	64		233,36
3	AW146A	1030501	CAMSHAFT BEARING FOR COVER Lid NEW STYLE	10	64		3,59
5	AW125	1000226	SCREEN/CAP ASSEMBLY WITH O-RING	10	64		4,96
6	AW100	1000209	BACKWASH CONTROL 07 WITH O-RING	10	64		14,22
6	AW101	1000210	BACKWASH CONTROL 08 WITH O-RING	10	64		14,22
6	AW102	1000211	BACKWASH CONTROL 09 WITH O-RING	10	64		14,22
6	AW103	1000212	BACKWASH CONTROL 10 WITH O-RING	10	64		14,22
6	AW104	1000213	BACKWASH CONTROL 12 WITH O-RING	10	64		14,22
6	AW105	1000214	BACKWASH CONTROL 13 WITH O-RING	10	64		14,22
6	AW106	1000215	BACKWASH CONTROL 14 WITH O-RING	10	64		14,22
7	AW139	1030502	FLOW CONTROL BALL	10	64		1,20
8	AW110	1034261	BRINE REFILL CONTROL 10 Lbs	10	64		32,25
8	AW111	1034263	BRINE REFILL CONTROL 19 Lbs	10	64		32,25
9	AW130	1032970	INJECTOR A WHITE WITH O-RING	10	64		9,25
9	AW131	1032971	INJECTOR B BLUE WITH O-RING	10	64		9,25
9	AW132	1032972	INJECTOR C RED WITH O-RING	10	64		9,25
10	AW107	1000269	INJECTOR CAP/BACKWASH OPEN 00	10	64		4,67

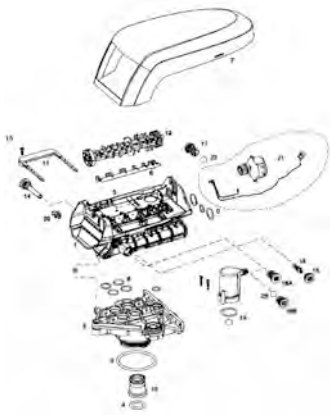


255-440i/460i/460TC VALVE EXPLODED VIEW & PARTS LIST

Number	Ref	P.N.	Description	Fam.	Subfam.		Price Euro
11	AW170	1033784	ADAPTER PRESSURE VESSEL 2.1/2" FOR TUBE 1.05"	10	64		140,83
12	AW190	1032417	KIT AIR-CHECK 1/4" MALE	10	64		22,15
14	AW169	1232370	O-RING 1.05"	10	64		1,47
15	AW173	1031402	LOCKING BAR	10	64		10,79
16	AW174	3030450	TOP PLATE SCREW NO 8x9/16"	10	64		0,96
17	AW163	1235341	SPRING ONE PIECE 255 VALVE P/N 1235341	10	64		15,57
Not shown	AW181	1001580	VALVE DISC SPRING	10	64		1,17
19	AW146A	3019873	CAMSHAFT BEARING FOR COVER Lid NEW STYLE	10	64		3,59
Not shown	AW191	1033066	NEW TO OLD AIR CHECK ADAPTER	10	64		6,71
20	AW195	1001404	O-RING SET FOR 255 VALVE TOP/BOTTOM COUPLING	10	64		9,56
21	AW196	1040459	O-RING SET*	10	64		0,72
Not shown	AW197		O-RING SET W/SCREWS AND NUTS*	10	64		5,44
22	AW171	1001986	13/16 RUBBER INSERT	10	64		3,66
23	AW160A	3019871	NEW STYLE SERIES 400 TOP PLATE FOR VALVE 255	10	64		33,67
24	AW180	1000250	VALVE DISCS KIT FOR 255	10	64		33,09
25	AW140	1030528	AIR-CHECK BALL	10	64		1,29
Not shown	AV037	1239760	BLENDING KIT SCREW FOR 700 SERIES AND 255/400 NEWSTYLE	10	62		14,10
Not shown	AV069	1239754	TOP PLATE SWITCH KIT 253-5/263-8 5A	10	62		72,08



VALVE LOGIX 255 PARTS LIST



Number	Ref	P.N.	Description	Fam.	Subfam.		Price Euro
1+5+6	AW168	1244650	255/700 VALVE ASSEMBLY W/O FLOW CONTROLS	10	64		234,21
2	AW170	1033784	ADAPTER PRESSURE VESSEL 2.1/2" FOR TUBE 1.05"	10	64		140,83
3	AW172	1010154	O-RING ADAPTER FOR PRESSURE VESSEL 2.1/2"	10	64		7,56
4	AW169	1232370	O-RING 1.05"	10	64		1,47
5	AW162	1235340	TOP PLATE 253/255 LOGIX P/N 1235341	10	64		61,41
6	AW163	1235341	SPRING ONE PIECE 255 VALVE P/N 1235341	10	64		15,57
7	AW148	1236246	253-5/263-8 LOGIX STANDARD COVER P/N 1236246	10	64		27,59
Not shown	AW145	1242234	255 LOGIX SLIM COVER	10	64		28,78
8	AW195	1001404	O-RING SET FOR 255 VALVE TOP/BOTTOM COUPLING	10	64		9,56
9	AW196	1040459	O-RING SET*	10	64		0,72
10	AW171	1001986	13/16 RUBBER INSERT	10	64		3,66
Not shown	AW180	1000250	VALVE DISCS KIT FOR 255	10	64		33,09
Not shown	AV037	1239760	BLENDING KIT SCREW FOR 700 SERIES AND 255/400 NEWSTYLE	10	62		14,10
11	AW173	1031402	LOCKING BAR	10	64		10,79
12	AW149	1235353	CAMSHAFT 253/255 LOGIX P/N 1235353	10	64		27,24
13	AW174	3030450	TOP PLATE SCREW NO 8x9/16"	10	64		0,96
14	AW125	1000226	SCREEN/CAP ASSEMBLY WITH O-RING	10	64		4,96
15	AW133	1035730	INJECTOR E YELLOW WITH O-RING	10	64		9,79
15	AW134	1035731	INJECTOR F PEACH WITH O-RING	10	64		9,79
15	AW135	1035732	INJECTOR G TAN WITH O-RING	10	64		9,79
15	AW136	1035733	INJECTOR H LIGHT PURPLE WITH O-RING	10	64		9,79
15	AW137	1035734	INJECTOR J LIGHT BLUE WITH O-RING	10	64		9,79
15	AW138	1035735	INJECTOR K PINK WITH O-RING	10	64		9,79
15	AW348	1035736	INJECTOR L ORANGE WITH O-RING P/N 1035736	10	64		9,79
15	AW349	1035737	INJECTOR M BROWN WITH O-RING P/N 1035737	10	64		9,64
15	AW350	1035738	INJECTOR N GREEN WITH O-RING P/N 1035738	10	64		9,64
15	AW351	1035739	INJECTOR Q PURPLE WITH O-RING P/N 1035739	10	64		9,60
15	AW352	1035884	INJECTOR R GREY WITH O-RING P/N 1035884	10	64		9,64

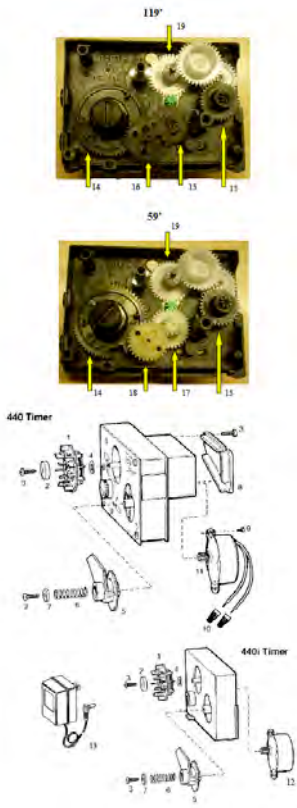


VALVE LOGIX 255 EXPLODED VIEW AND PARTS LIST

Number	Ref	P.N.	Description	Fam.	Subfam.		Price Euro
16	AW107	1000269	INJECTOR CAP/BACKWASH OPEN 00	10	64		4,67
17	AW100	1000209	BACKWASH CONTROL 07 WITH O-RING	10	64		14,22
17	AW101	1000210	BACKWASH CONTROL 08 WITH O-RING	10	64		14,22
17	AW102	1000211	BACKWASH CONTROL 09 WITH O-RING	10	64		14,22
17	AW103	1000212	BACKWASH CONTROL 10 WITH O-RING	10	64		14,22
17	AW104	1000213	BACKWASH CONTROL 12 WITH O-RING	10	64		14,22
17	AW105	1000214	BACKWASH CONTROL 13 WITH O-RING	10	64		14,22
17	AW106	1000215	BACKWASH CONTROL 14 WITH O-RING	10	64		14,22
18A	AW118	1243510	BRINE REFILL CONTROL .33 GPM	10	64		14,22
19	AW190	1032417	KIT AIR-CHECK 1/4" MALE	10	64		22,15
20	AW129	1235373	OPTIC SENSOR P/N 1235373	10	64		21,13
21	AW126	1238861	MOTOR W/SPACER AND PINION AND CABLE SERIES 700 P/N 1238861	10	64		90,32
22	AW139	1030502	FLOW CONTROL BALL	10	64		1,20
Not shown	AW191	1033066	NEW TO OLD AIR CHECK ADAPTER	10	64		6,71
Not shown	AW140	1030528	AIR-CHECK BALL	10	64		1,29
Not shown	AW128	1035446	TURBINE CABLE 255-268-278/700	10	64		30,71
Not shown	AX040	1244336	KIT CHLORINE GENERATOR 255/268 LOGIX	10	70		115,87
Not shown	AW124	3029962	MOTOR LOCKING PIN P/N 3029962	10	64		1,85
Not shown	AV057	1239711	FRONT MOUNT SWITCH KIT 253-5/263-8 0,1A	10	62		72,08
Not shown	AV058	1239752	FRONT MOUNT SWITCH KIT 253-5/263-8 5A	10	62		72,08
Not shown	AV069	1239754	TOP PLATE SWITCH KIT 253-5/263-8 5A	10	62		72,08
Not shown	AV036A	1256257	KIT REMOTE LOGIX CONTROL W/TERMINAL BLOCKS P/N 1256257	10	62		65,03
Not shown	AV023	1242411	EXTENSION CORD Lg=50cm FOR CAB. P/N 1242411	10	62		29,51
Not shown	AV023A	1239979	4 PIN CONNECTOR CABLE START 700 SERIES	10	62		23,93
Not shown	AW500	1000814	EUROPEAN TRANSFORMER 230/12V	10	64		46,00
Not shown	AW501	1000813	BRITISH TRANSFORMER	10	64		46,00



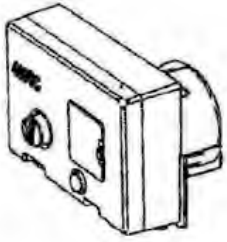
SERIES 400 TIMER EXPLODED VIEW (440i-460i-460TC)



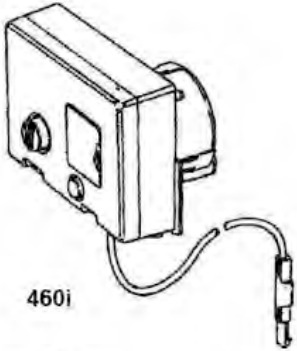
Number	Ref.	P.N.	Description	Fam.	Subfam.		Price Euro
1	AW401	1031742	7 DAYS KIT DISCS FOR 440-440i	10	64		18,03
5	AW402	1031756	TRIPPER ARM ASSEMBLY 440-440i	10	64		10,41
11	AW421	3003134	MOTORE 24V.50 HZ PER 440-450	10	64		62,89
12	AW423	1001568	12V-50HZ MOTOR FOR 440i	10	64		75,58
12	AW424	1000098	9V-50HZ MOTOR FOR 460i-460tc	10	64		64,37
13	AW500	1000814	EUROPEAN TRANSFORMER 230/12V	10	64		46,00
13	AW501	1000813	BRITISH TRANSFORMER	10	64		46,00
14	AW405	1001833	OUTPUT CONNECTOR W/BLACK START BUTTON 440i	10	64		8,36
Not shown	AW406	1001000	BLACK START BUTTON 460i-460 tc	10	64		6,51
Not shown	AW453	1005120	CABLE PRESS W/CABLE (440)	10	64		1,14
15	AW454	1031554	BLACK GEAR 119´ A(INF.# 8)	10	64		1,62
16	AW455	1030844	BLACK GEAR 119´ B	10	64		1,62
17	AW456	1030842	WHITE GEAR 59´ A (INF.# 13)	10	64		1,62
18	AW457	1030843	WHITE GEAR 59´ B	10	64		2,20
19	AW449	1030841	WHITE GEAR FOR TIMER 440I P/N 1030841	10	64		5,55



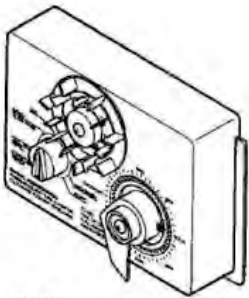
SERIES 400 TIMER LIST



460tc



460i

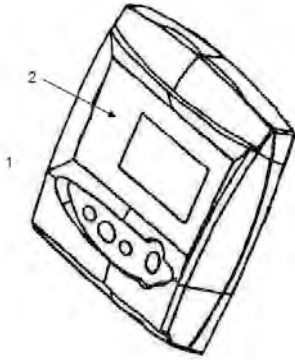


440i

Number	Ref	P.N.	Description	Fam.	Subfam.		Price Euro
1	AW460	1051826	TIMER 440i 7DAYS 119' 12V.50HZ ITA	10	64		213,83
1	AW474	1051828	TIMER 440i 7DAYS 119' 12V.50HZ E.	10	64		213,83
2	AW482	4000610	TIMER 460tc 118' 12V.50HZ SYM	10	64		171,57
2	AW483	4000611	TIMER 460tc 59' 12V.50HZ SYM	10	64		171,57
2	AW480	1030007	TIMER 460i 118' 12V.50HZ SYM	10	64		352,85
2	AW481	1051811	TIMER 460i 59' 12V.50HZ SYM	10	64		352,85



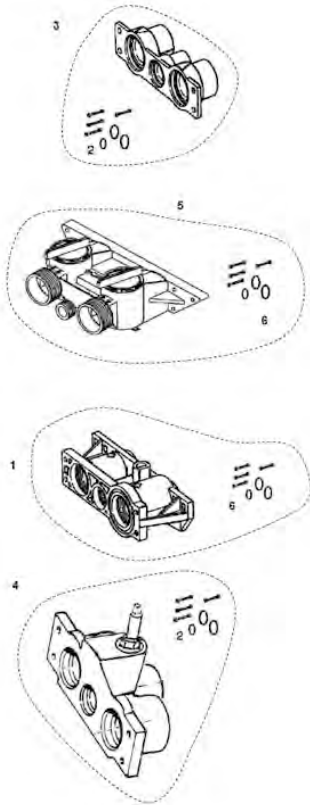
SERIES 700 TIMER LIST



Number	Ref	P.N.	Description	Fam.	Subfam.		Price Euro
1	AW511E		TIMER 740C W/CHECK SALT 12V 50/60HZ SYMBOL	10	64		236,63
1	AW514E		TIMER 760C W/CHECK SALT 12V 50/60HZ SYMBOL	10	64		278,91
1	AW517E		TIMER 740F W/CHECK SALT 12V 50/60HZ SYMBOL	10	64		236,63
1	AW524E		TIMER 760F W/CHECK SALT 12V 50/60HZ SYMBOL	10	64		290,37
1	AW512E		TIMER 742C W/CHECK SALT 12V 50/60HZ SYMBOL	10	64		276,56
1	AW515E		TIMER 762C W/CHECK SALT 12V 50/60HZ SYMBOL	10	64		351,44
1	AW518E		TIMER 742F W/CHECK SALT 12V 50/60HZ SYMBOL	10	64		324,56
1	AW525E		TIMER 762F W/CHECK SALT 12V 50/60HZ SYMBOL	10	64		331,52
1	AW505E		TIMER 764C W/CHECK SALT 12V 50/60HZ SYMBOL	10	64		390,69
Not shown	AW504	1254886	SLAVE CONTROLLER P/N 1254886	10	64		44,06



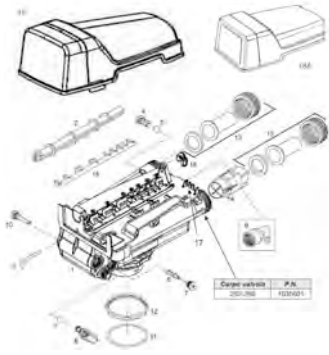
METER, MANIFOLD, 256 BYPASS SPARE PARTS



Number	Ref	P.N.	Description	Fam.	Subfam.		Price Euro
1	AW201	1032350	METER ADAPTER KIT	10	64		65,68
2	AW197		O-RING SET W/SCREWS AND NUTS*	10	64		5,44
3	AV015		MANIFOLD BRASS FEMALE 3/4" GAS	10	62		36,74
3	AV016		MANIFOLD BRASS FEMALE 1" GAS	10	62		39,06
3	AV010		MANIFOLD KIT BRASS FEMALE 3/4" GAS*	10	62		38,90
3	AV011		MANIFOLD KIT BRASS FEMALE 1" GAS*	10	62		41,20
Not shown	AV013	1040283	MANIFOLD KIT NORYL FEMALE 3/4" BSPT	10	62		19,34
4	AV006		MANIFOLD BRASS 3/4" GAS MIXER	10	62		55,42
4	AV017		MANIFOLD BRASS FEMALE 1" GAS MIXER	10	62		56,67
Not shown	AV007		MANIFOLD KIT 3/4" GAS BRASS MIXER*	10	62		57,40
Not shown	AV012		MANIFOLD KIT BRASS FEMALE 1" GAS MIXER*	10	62		59,93
Not shown	AV001		MANIFOLD 3/4" MALE WITH TURBINE P/N 1234260	10	62		79,36
Not shown	AV001A		MANIFOLD 255 3/4" BSP MALE NORYL + KIT P/N 123425	10	62		28,70
Not shown	AV022		MANIFOLD 1" MALE WITH TURBINE + KIT P/N 1234259	10	62		79,36
Not shown	AV022A		MANIFOLD 255 1" BSP MALE NORYL + KIT P/N 1234255	10	62		28,70
5	AV026	1040769	BY-PASS 256 W/O-RING, SCREWS,NUTS	10	62		61,41
6	AW197N	1040524	O-RING DET W/SCREWS & NUTS FOR NORYL MANIFOLD P/N1040524	10	64		15,22



263-268-268F A/400 VALVE EXPLODED VIEW



Number	Ref	P.N.	Description	Fam.	Subfam.		Price Euro
4	AW100	1000209	BACKWASH CONTROL 07 WITH O-RING	10	64		14,22
4	AW101	1000210	BACKWASH CONTROL 08 WITH O-RING	10	64		14,22
4	AW102	1000211	BACKWASH CONTROL 09 WITH O-RING	10	64		14,22
4	AW103	1000212	BACKWASH CONTROL 10 WITH O-RING	10	64		14,22
4	AW104	1000213	BACKWASH CONTROL 12 WITH O-RING	10	64		14,22
4	AW105	1000214	BACKWASH CONTROL 13 WITH O-RING	10	64		14,22
4	AW106	1000215	BACKWASH CONTROL 14 WITH O-RING	10	64		14,22
5	AW139	1030502	FLOW CONTROL BALL	10	64		1,20
6	AW130	1032970	INJECTOR A WHITE WITH O-RING	10	64		9,25
6	AW131	1032971	INJECTOR B BLUE WITH O-RING	10	64		9,25
6	AW132	1032972	INJECTOR C RED WITH O-RING	10	64		9,25
7	AW107	1000269	INJECTOR CAP/BACKWASH OPEN 00	10	64		4,67
8	AW110	1034261	BRINE REFILL CONTROL 10 Lbs	10	64		32,25
8	AW111	1034263	BRINE REFILL CONTROL 19 Lbs	10	64		32,25
8	AW308	1030334	PLUGGED REFILL CONTROL 263	10	64		9,17
9	AV175	1002449	ELBOW DRIAN FITTING 3/4" F	10	62		6,51

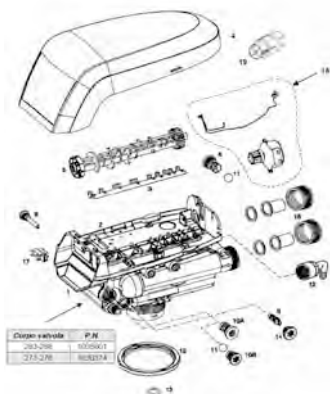


263-268-268F A/400 VALVE EXPLODED VIEW

Number	Ref	P.N.	Description	Fam.	Subfam.		Price Euro
10	AW125	1000226	SCREEN/CAP ASSEMBLY WITH O-RING	10	64		4,96
11	AW172	1010154	O-RING ADAPTER FOR PRESSURE VESSEL 2.1/2"	10	64		7,56
12	AW319	1035622	TANK RING 2,5" FOR 263-268-278 P/N 1035622	10	64		10,14
13	AV030B		MANIFOLD KIT BRASS MALE 3/4" GAS*	10	62		17,24
13	AV031B		MANIFOLD KIT BRASS MALE " GAS*	10	62		17,96
13	AV032	1001615	MANIFOLD KIT PVC D,32	10	62		32,17
13	AV038		MANIFOLD KIT BRASS MALE 1 1/4" GAS*	10	62		57,78
14	AW328	1033444	TURBINE ASSEMBLY	10	64		26,04
15	AW360	1235339	VALVE DISC SPRING ONE PIECE 263/268 LOGIX P/N 1235339	10	64		15,34
Not shown	AW181	1001580	VALVE DISC SPRING	10	64		1,17
16	AW146A	3019873	CAMSHAFT BEARING FOR COVER Lid NEW STYLE	10	64		3,59
18	AW141A	3019870	COVER FOR 255-263-268 SERIE 400 (I-Lid) NEW STYLE	10	64		10,89
Not shown	AW329	1041174	VALVE DISCS KIT FOR 263-268-273-278	10	64		48,73
Not shown	AW309	1035778	CAMSHAFT CLIP	10	64		1,93
Not shown	AV037	1239760	BLENDING KIT SCREW FOR 700 SERIES AND 255/400 NEWSTYLE	10	62		14,10
Not shown	AV065	1041116	MICRO-SWITCH KIT FOR 268 0.1 A	10	62		60,39
Not shown	AV039		BY-PASS 1265 KIT BRASS 1" GAS*	10	62		103,86
Not shown	AV040		BY-PASS KIT 1265 BRASS 1 1/4" GAS*	10	62		146,21
Not shown	AW174	3030450	TOP PLATE SCREW NO 8x9/16"	10	64		0,96



LOGIX 263-268-278 VALVE EXPLODED VIEW



Number	Ref	P.N.	Description	Fam.	Subfam.		Price Euro
1+2+3+13	AW362	1255104	263-268/700 VALVE ASSEMBLY W/O FLOW CONTROLS	10	64		276,15
1+2+3+13	AW363	1255105	278 VALVE ASSMBLY W/O FLOW CONTROLS	10	64		319,06
3	AW360	1235339	VALVE DISC SPRING ONE PIECE 263/268 LOGIX P/N 1235339	10	64		15,34
4	AW148	1236246	253-5/263-8 LOGIX STANDARD COVER P/N 1236246	10	64		27,59
5	AW358	1235352	CAMSHAFT 263/268 LOGIX P/N 1235352	10	64		30,67
5	AW361	1237405	CAMSHAFT 278 LOGIX P/N 1237405	10	64		30,06
6	AW100	1000209	BACKWASH CONTROL 07 WITH O-RING	10	64		14,22
6	AW101	1000210	BACKWASH CONTROL 08 WITH O-RING	10	64		14,22
6	AW102	1000211	BACKWASH CONTROL 09 WITH O-RING	10	64		14,22
6	AW103	1000212	BACKWASH CONTROL 10 WITH O-RING	10	64		14,22
6	AW104	1000213	BACKWASH CONTROL 12 WITH O-RING	10	64		14,22
6	AW105	1000214	BACKWASH CONTROL 13 WITH O-RING	10	64		14,22
6	AW106	1000215	BACKWASH CONTROL 14 WITH O-RING	10	64		14,22
6	AV044	1030355	EXTERNAL BACKWASH 05 GPM	10	62		29,01
6	AV045	1030356	EXTERNAL BACKWASH 06 GPM	10	62		29,01
6	AV046	1030357	EXTERNAL BACKWASH 07 GPM	10	62		29,01
6	AV047	1030358	EXTERNAL BACKWASH 08 GPM	10	62		29,01
6	AV048	1030359	EXTERNAL BACKWASH 09 GPM	10	62		29,01



PARTS LIST VALVE LOGIX 263-268-278

Number	Ref	P.N.	Description	Fam.	Subfam.		Price Euro
6	AV049	1030360	EXTERNAL BACKWASH 10 GPM	10	62		29,01
6	AV141	1000406	EXTERNAL BACKWASH CONTROL 12 GPM	10	62		46,27
6	AV142	1000407	EXTERNAL BACKWASH CONTROL 15 GPM	10	62		46,27
6	AV144	1000409	EXTERNAL BACKWASH CONTROL 20 GPM	10	62		46,27
8	AW125	1000226	SCREEN/CAP ASSEMBLY WITH O-RING	10	64		4,96
9	AW133	1035730	INJECTOR E YELLOW WITH O-RING	10	64		9,79
9	AW134	1035731	INJECTOR F PEACH WITH O-RING	10	64		9,79
9	AW135	1035732	INJECTOR G TAN WITH O-RING	10	64		9,79
9	AW136	1035733	INJECTOR H LIGHT PURPLE WITH O-RING	10	64		9,79
9	AW137	1035734	INJECTOR J LIGHT BLUE WITH O-RING	10	64		9,79
9	AW138	1035735	INJECTOR K PINK WITH O-RING	10	64		9,79
9	AW348	1035736	INJECTOR L ORANGE WITH O-RING P/N 1035736	10	64		9,79
9	AW349	1035737	INJECTOR M BROWN WITH O-RING P/N 1035737	10	64		9,64
9	AW350	1035738	INJECTOR N GREEN WITH O-RING P/N 1035738	10	64		9,64
9	AW351	1035739	INJECTOR Q PURPLE WITH O-RING P/N 1035739	10	64		9,60
9	AW352	1035884	INJECTOR R GREY WITH O-RING P/N 1035884	10	64		9,64
10A	AW118	1243510	BRINE REFILL CONTROL .33 GPM	10	64		14,22
10B	AW327	1000519	BRINE REFILL CONTROL 1.3 GPM P/N 1000519	10	64		21,15
11	AW139	1030502	FLOW CONTROL BALL	10	64		1,20
11	AW308	1030334	PLUGGED REFILL CONTROL 263	10	64		9,17
12	AV175	1002449	ELBOW DRIAN FITTING 3/4" F	10	62		6,51
13	AW169	1232370	O-RING 1.05"	10	64		1,47
14	AW107	1000269	INJECTOR CAP/BACKWASH OPEN 00	10	64		4,67

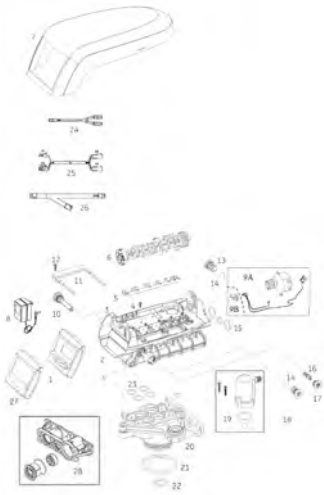


PARTS LIST VALVE LOGIX 263-268-278

Number	Ref	P.N.	Description	Fam.	Subfam.		Price Euro
15	AW319	1035622	TANK RING 2,5" FOR 263-268-278 P/N 1035622	10	64		10,14
16	AV030B		MANIFOLD KIT BRASS MALE 3/4" GAS*	10	62		17,24
16	AV031B		MANIFOLD KIT BRASS MALE " GAS*	10	62		17,96
16	AV032	1001615	MANIFOLD KIT PVC D,32	10	62		32,17
16	AV038		MANIFOLD KIT BRASS MALE 1 1/4" GAS*	10	62		57,78
17	AW129	1235373	OPTIC SENSOR P/N 1235373	10	64		21,13
18	AW126	1238861	MOTOR W/SPACER AND PINION AND CABLE SERIES 700 P/N 1238861	10	64		90,32
Not shown	AW172	1010154	O-RING ADAPTER FOR PRESSURE VESSEL 2.1/2"	10	64		7,56
Not shown	AW329	1041174	VALVE DISCS KIT FOR 263-268-273-278	10	64		48,73
Not shown	AV037	1239760	BLENDING KIT SCREW FOR 700 SERIES AND 255/400 NEWSTYLE	10	62		14,10
Not shown	AW128	1235446	TURBINE CABLE 255-268-278/700	10	64		30,71
19	AW328	1033444	TURBINE ASSEMBLY	10	64		26,04
Not shown	AX040	1244336	KIT CHLORINE GENERATOR 255/268 LOGIX	10	70		115,87
Not shown	AW124	3029962	MOTOR LOCKING PIN P/N 3029962	10	64		1,85
Not shown	AV057	1239711	FRONT MOUNT SWITCH KIT 253-5/263-8 0,1A	10	62		72,08
Not shown	AV058	1239752	FRONT MOUNT SWITCH KIT 253-5/263-8 5A	10	62		72,08
Not shown	AV069	1239754	TOP PLATE SWITCH KIT 253-5/263-8 5A	10	62		72,08
Not shown	AV036A	1256257	KIT REMOTE LOGIX CONTROL W/TERMINAL BLOCKS P/N 1256257	10	62		65,03
Not shown	AV023	1242411	EXTENSION CORD Lg=50cm FOR CAB. P/N 1242411	10	62		29,51
Not shown	AV023A	1239979	4 PIN CONNECTOR CABLE START 700 SERIES	10	62		23,93



255/764 VALVE EXPLODED VIEW & PARTS LIST



Number	Ref	P.N.	Description	Fam.	Subfam.		Price Euro
1	AW505E		TIMER 764C W/CHECK SALT 12V 50/60HZ SYMBOL	10	64		390,69
2+3+4+5	AW168	1244650	255/700 VALVE ASSEMBLY W/O FLOW CONTROLS	10	64		234,21
3	AW162	1235340	TOP PLATE 253/255 LOGIX P/N 1235341	10	64		61,41
4-12	AW174	3030450	TOP PLATE SCREW NO 8x9/16"	10	64		0,96
5	AW163	1235341	SPRING ONE PIECE 255 VALVE P/N 1235341	10	64		15,57
6	AW149	1235353	CAMSHAFT 253/255 LOGIX P/N 1235353	10	64		27,24
6	AW177	1236251	CAMSHAFT 255 LOGIX 764 TWIN P/N 1236251	10	64		32,32
7	AW148	1236246	253-5/263-8 LOGIX STANDARD COVER P/N 1236246	10	64		27,59
8	AW500	1000814	EUROPEAN TRANSFORMER 230/12V	10	64		46,00
8	AW501	1000813	BRITISH TRANSFORMER	10	64		46,00
9A	AW126	1238861	MOTOR W/SPACER AND PINION AND CABLE SERIES 700 P/N 1238861	10	64		90,32
9B	AW129	1235373	OPTIC SENSOR P/N 1235373	10	64		21,13
10	AW125	1000226	SCREEN/CAP ASSEMBLY WITH O-RING	10	64		4,96
11	AW173	1031402	LOCKING BAR	10	64		10,79
13	AW100	1000209	BACKWASH CONTROL 07 WITH O-RING	10	64		14,22
13	AW101	1000210	BACKWASH CONTROL 08 WITH O-RING	10	64		14,22
13	AW102	1000211	BACKWASH CONTROL 09 WITH O-RING	10	64		14,22
13	AW103	1000212	BACKWASH CONTROL 10 WITH O-RING	10	64		14,22
13	AW104	1000213	BACKWASH CONTROL 12 WITH O-RING	10	64		14,22
13	AW105	1000214	BACKWASH CONTROL 13 WITH O-RING	10	64		14,22
13	AW106	1000215	BACKWASH CONTROL 14 WITH O-RING	10	64		14,22
14	AW139	1030502	FLOW CONTROL BALL	10	64		1,20
15	AW196	1040459	O-RING SET*	10	64		0,72

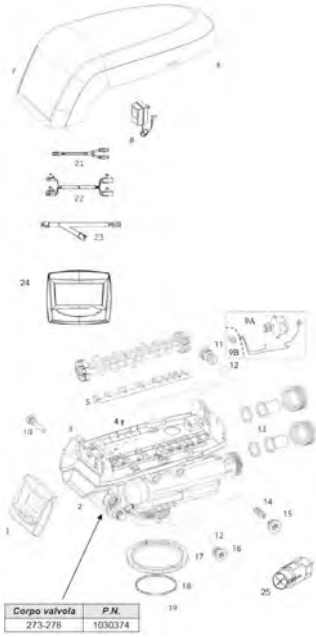


PARTS LIST VALVE 255/764

Number	Ref	P.N.	Description	Fam.	Subfam.		Price Euro
16	AW133	1035730	INJECTOR E YELLOW WITH O-RING	10	64		9,79
16	AW134	1035731	INJECTOR F PEACH WITH O-RING	10	64		9,79
16	AW135	1035732	INJECTOR G TAN WITH O-RING	10	64		9,79
16	AW136	1035733	INJECTOR H LIGHT PURPLE WITH O-RING	10	64		9,79
16	AW137	1035734	INJECTOR J LIGHT BLUE WITH O-RING	10	64		9,79
16	AW138	1035735	INJECTOR K PINK WITH O-RING	10	64		9,79
16	AW348	1035736	INJECTOR L ORANGE WITH O-RING P/N 1035736	10	64		9,79
16	AW349	1035737	INJECTOR M BROWN WITH O-RING P/N 1035737	10	64		9,64
16	AW350	1035738	INJECTOR N GREEN WITH O-RING P/N 1035738	10	64		9,64
16	AW351	1035739	INJECTOR Q PURPLE WITH O-RING P/N 1035739	10	64		9,60
16	AW352	1035884	INJECTOR R GREY WITH O-RING P/N 1035884	10	64		9,64
17	AW107	1000269	INJECTOR CAP/BACKWASH OPEN 00	10	64		4,67
18	AW118	1243510	BRINE REFILL CONTROL .33 GPM	10	64		14,22
19	AW190	1032417	KIT AIR-CHECK 1/4" MALE	10	64		22,15
20	AW170	1033784	ADAPTER PRESSURE VESSEL 2.1/2" FOR TUBE 1.05"	10	64		140,83
21	AW172	1010154	O-RING ADAPTER FOR PRESSURE VESSEL 2.1/2"	10	64		7,56
22	AW169	1232370	O-RING 1.05"	10	64		1,47
23	AW195	1001404	O-RING SET FOR 255 VALVE TOP/BOTTOM COUPLING	10	64		9,56
24	AW365	3016715	Y CABLE 4 PIN TURBINE SENSOR P/N 3016715	10	64		45,49
25	AW366	3016775	INTERCONNECTION CABLE LOGIX TWIN LG 3 M P/N 3016775	10	64		162,46
26	AW367	3020228	START/LOCKOUT CABLE 3 PIN MULTI TANK P/N 3020228	10	64		64,58
27	AW504	1254886	SLAVE CONTROLLER P/N 1254886	10	64		44,06
28	AW201	1032350	METER ADAPTER KIT	10	64		65,68
Not shown	AW124	3029962	MOTOR LOCKING PIN P/N 3029962	10	64		1,85
Not shown	AW128	1235446	TURBINE CABLE 255-268-278/700	10	64		30,71



PARTS LIST VALVE 278/764



Number	Ref	P.N.	Description	Fam.	Subfam.		Price Euro
1	AW505E		TIMER 764C W/CHECK SALT 12V 50/60HZ SYMBOL	10	64		390,69
2+3+4+5+19	AW363	1255105	278 VALVE ASSMBLY W/O FLOW CONTROLS	10	64		319,06
4	AW174	3030450	TOP PLATE SCREW NO 8x9/16"	10	64		0,96
5	AW360	1235339	VALVE DISC SPRING ONE PIECE 263/268 LOGIX P/N 1235339	10	64		15,34
6	AW361	1237405	CAMSHAFT 278 LOGIX P/N 1237405	10	64		30,06
6	AW364	1237406	CAMSHAFT 278 LOGIX 764 TWIN P/N 1237406	10	64		42,62
7	AW148	1236246	253-5/263-8 LOGIX STANDARD COVER P/N 1236246	10	64		27,59
8	AW500	1000813	EUROPEAN TRANFORMER 230/12V	10	64		46,00
8	AW501	1000811	BRITISH TRANFORMER	10	64		46,00
9A	AW126	1238861	MOTOR W/SPACER AND PINION AND CABLE SERIES 700 P/N 1238861	10	64		90,32
9B	AW129	1235373	OPTIC SENSOR P/N 1235373	10	64		21,13
10	AW125	1000226	SCREEN/CAP ASSEMBLY WITH O-RING	10	64		4,96
11	AW100	1000209	BACKWASH CONTROL 07 WITH O-RING	10	64		14,22
11	AW101	1000211	BACKWASH CONTROL 08 WITH O-RING	10	64		14,22
11	AW103	1000212	BACKWASH CONTROL 10 WITH O-RING	10	64		14,22
11	AW104	1000213	BACKWASH CONTROL 12 WITH O-RING	10	64		14,22
11	AW105	1000214	BACKWASH CONTROL 13 WITH O-RING	10	64		14,22
11	AW106	1000215	BACKWASH CONTROL 14 WITH O-RING	10	64		14,22
12	AW139	1030502	FLOW CONTROL BALL	10	64		1,20
13	AV031B		MANIFOLD KIT BRASS MALE " GAS*	10	62		17,96
13	AV032	1001615	MANIFOLD KIT PVC D,32	10	62		32,17
13	AV038		MANIFOLD KIT BRASS MALE 1 1/4" GAS*	10	62		57,78
13	AW183		MANIFOLD+NUT 1,1/4" BRASS	10	64		15,40

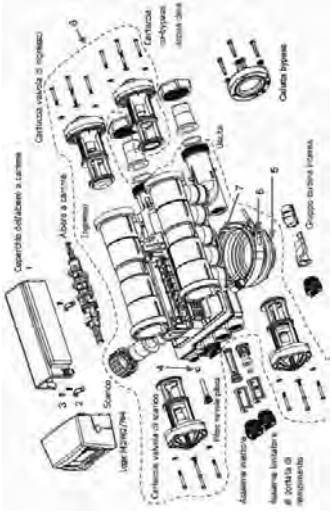


PARTS LIST VALVE 278/764

Number	Ref	P.N.	Description	Fam.	Subfam		Price Euro
14	AW133	1035730	INJECTOR E YELLOW WITH O-RING	10	64		9,79
14	AW134	1035731	INJECTOR F PEACH WITH O-RING	10	64		9,79
14	AW135	1035732	INJECTOR G TAN WITH O-RING	10	64		9,79
14	AW136	1035733	INJECTOR H LIGHT PURPLE WITH O-RING	10	64		9,79
14	AW137	1035734	INJECTOR J LIGHT BLUE WITH O-RING	10	64		9,79
14	AW138	1035735	INJECTOR K PINK WITH O-RING	10	64		9,79
14	AW348	1035736	INJECTOR L ORANGE WITH O-RING P/N 1035736	10	64		9,79
14	AW349	1035737	INJECTOR M BROWN WITH O-RING P/N 1035737	10	64		9,64
14	AW350	1035738	INJECTOR N GREEN WITH O-RING P/N 1035738	10	64		9,64
14	AW351	1035739	INJECTOR Q PURPLE WITH O-RING P/N 1035739	10	64		9,60
14	AW352	1035884	INJECTOR R GREY WITH O-RING P/N 1035884	10	64		9,64
15	AW107	1000269	INJECTOR CAP/BACKWASH OPEN 00	10	64		4,67
16	AW118	1243510	BRINE REFILL CONTROL .33 GPM	10	64		14,22
16	AW327	1000519	BRINE REFILL CONTROL 1.3 GPM P/N 1000519	10	64		21,15
17	AW319	1035622	TANK RING 2,5" FOR 263-268-278 P/N 1035622	10	64		10,14
18	AW172	1010154	O-RING ADAPTER FOR PRESSURE VESSEL 2.1/2"	10	64		7,56
19	AW169	1232370	O-RING 1.05"	10	64		1,47
21	AW365	3016715	Y CABLE 4 PIN TURBINE SENSOR P/N 3016715	10	64		45,49
22	AW366	3016775	INTERCONNECTION CABLE LOGIX TWIN LG 3 M P/N 3016775	10	64		162,46
23	AW367	3020228	START/LOCKOUT CABLE 3 PIN MULTI TANK P/N 3020228	10	64		64,58
24	AW504	1254886	SLAVE CONTROLLER P/N 1254886	10	64		44,06
Not shown	AW124	3029962	MOTOR LOCKING PIN P/N 3029962	10	64		1,85
Not shown	AW128	1235446	TURBINE CABLE 255-268-278/700	10	64		30,71
25	AW328	1033444	TURBINE ASSEMBLY	10	64		26,04



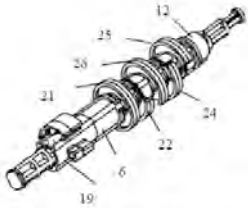
MAGNUM VALVE 700 SERIES EXPLODED VIEW



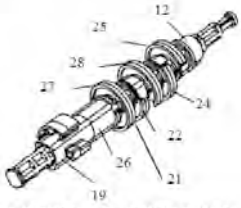
Number	Ref	P.N.	Description	Fam.	Subfam.		Price Euro
1	CD140	1000343	CAMSHAFT COVER	20	83		16,20
2	CD100	1000589	PILLOW BLOCK CAP	20	83		4,13
3	CD109	3030505	MAGNUM VALVE LONG SCREW	20	83		0,81
4	CD144	3025780	INTERNAL CHECK VALVE	20	83		14,45
6	CD173	3024785	CLAMP AISI 304 P/N 3024785	20	83		154,20
7	CD174	3026486	O RING CLAMP P/N 3026486	20	83		20,57



MAGNUM VALVE 700 SERIES SPARE PARTS



A) ALBERO A CAMME 5 CICLI
ADDOLCITORE/FILTRO LOGIX



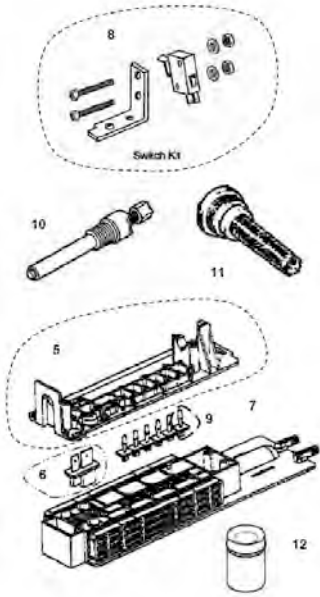
B) ALBERO A CAMME TWIN
LOGIX

Number	Ref	P.N.	Description	Fam.	Subfam.		Price Euro
A)	CD125	1267726	3-5 CYCLES MAGNUM LOGIX SIMPLEX CAMSHAFT	20	83		150,19
consisting of							
19		1000499	Brine Cam - TAN				
6		1000462	Standard Cam - BLACK				
21		1001620	Pilot Cam # 1 - TAN				
22		1001621	Pilot Cam # 2 - BLU				
26		1267724	Pilot Cam # 3 - GREY				
24		1001623	Pilot Cam # 4 - YELLOW				
25		1001624	Pilot Cam # 5 - ORANGE				
12		1000469	Pilot Cam # 6 - RED				

Number	Ref	P.N.	Description	Fam.	Subfam.		Price Euro
B)	CD126	1001751	3-5 CYCLES MAGNUM LOGIX TWIN CAMSHAFT P/N 1001751	20	83		150,19
consisting of							
19		1000499	Brine Cam - TAN				
26		1034356	Spacer Cam - BLACK				
27		1233554	Standard Cam - TAN				
21		1001620	Pilot Cam # 1 - TAN				
22		1001621	Pilot Cam # 2 - BLU				
28		1001622	Pilot Cam # 3 - GREEN				
24		1001623	Pilot Cam # 4 - YELLOW				
25		1001624	Pilot Cam # 5 - ORANGE				
12		1000469	Pilot Cam # 6 - RED				



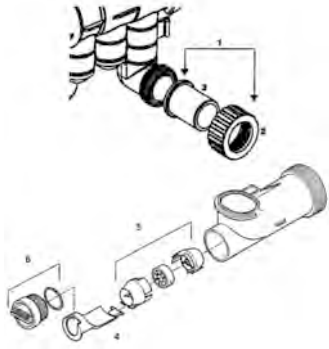
MAGNUM VALVE 700 SERIES SPARE PARTS



Number	Ref	P.N.	Description	Fam.	Subfam.		Price Euro
5	CD141	1000339	MAGNUM PLATE P/N 1000339	20	83		27,19
Not shown	AW174	3030450	TOP PLATE SCREW NO 8x9/16"	10	64		0,96
Not shown	CD109	3030505	MAGNUM VALVE LONG SCREW	20	83		0,81
6	CD143	1000391	BRINE FLAPFOR VALVE P/N 1000391	20	83		21,19
9	CD142	1000328	PILOT FLAPPER VALVE P/N 1000328	20	83		6,12
Not shown	AW181	1001580	VALVE DISC SPRING	10	64		1,17
6+7	CD020	1040692	VALVE DISCS KIT FOR MAGNUM	20	83		57,49
Not shown	CD161	1010162	4" TANK ADAPTER O-RING	20	83		8,50
8	CC119	3019468	KIT N.1 MICRO SWITCH 0.1 AMPERE P/N 3019468	20	82		65,12
8	CC120	3019469	KIT N. 1 MICRO SWITCH 5.0 AMPERE P/N 3019469	20	82		32,71
Not shown	CC124	3019467	KIT N. 3 MICRO SWITCH 5,0 AMPERE P/N 3019467	20	82		86,60
10	CC130	1040668	EXTERNAL PILOT FEED ADAPTER	20	82		104,12
11	AW125	1000226	SCREEN/CAP ASSEMBLY WITH O-RING	10	64		4,96
12	CD144	3025780	INTERNAL CHECK VALVE	20	83		14,45



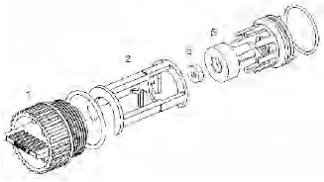
MAGNUM VALVE INSTALLATION ADAPTER PARTS



Number	Ref	P.N.	Description	Fam.	Subfam.		Price Euro
1	CC080	3023673	MAGNUM 1.5" STAINLESS STEEL ADAPTER KIT BSPT	20	82		103,82
1	CC081	1001656	MAGNUM 1.5" PVC D.50 MM ADAPTER KIT	20	82		62,41
1	CC082	3023674	MAGNUM 2" STAINLESS STEEL ADAPTER KIT BSPT	20	82		138,48
1	CC083	1040785	MAGNUM 2" PVC D.63 MM ADAPTER KIT	20	82		100,93
2	CD151	1000356	1.5" NORYL ADAPTER NUT	20	83		6,02
2	CD152	1030664	2" SS ADAPTER NUT	20	83		51,28
3	CD153	3014556	1.5" SS BSPT ADAPTER	20	83		36,27
3	CD163		1.5" BSPT FEMALE ADAPTER AVP GALVANIZED	20	83		36,13
3	CD164		1.1/4" BSPT FEMALE ADAPTER AVP GALVANIZED	20	83		58,23
4	CD067	1000074	INSERT CORNER 2"	20	83		5,71
5	CD068	1232965	ASSEMBLY TURBINE IT 2" P/N 1232965	20	83		107,76
6	CD099	1040688	PLUG FOR INJECTOR, REFILL AND PRESSURE REGULATORPORTS	20	83		12,29
Not shown	CD158	1010160	1.5" ADAPTER & 48.3 MM TUBE O-RING	20	83		4,29
Not shown	CD159	1010165	2" ADAPTER O-RING	20	83		6,02
Not shown	CD161	1010162	4" TANK ADAPTER O-RING	20	83		8,50
Not shown	CD162	1030891	GASKET FOR 2" TURBINE	20	83		8,04
Not shown	CC084	1040921	SIDE MOUNT ADAPTER PVC 2" BSPT FEMALE	20	82		305,66
Not shown	CD069	1033358	2" FLOW METER BODY	20	83		355,15
Not shown	CD073	1034081	2" FLOW METER W/ 63 MM METRIC CPVC ADAPTER	20	83		644,04



MAGNUM REFILL CONTROL ASSEMBLY PARTS



Number	Ref	P.N.	Description	Fam.	Subfam.		Price Euro
1	CD099	1040688	PLUG FOR INJECTOR, REFILL AND PRESSURE REGULATORPORTS	20	83		12,29
3	CD089	1040687	REFILL CONTROL ASSEMBLY W/O REFILL CONTROL	20	83		36,87
4	CD081	1000421	BRINE REFIL CONTROLLER 0.7 GPM FOR PRESSURE VESSEL 14"	20	83		18,35
4	CD082	1000422	BRINE REFIL CONTROLLER 0.8 GPM FOR PRESSURE VESSEL 16"	20	83		18,35
4	CD083	1000423	BRINE REFIL COMTROLLES 1.0 GPM FOR PRESSURE VESSEL 18"	20	83		18,35
4	CD084	1000424	BRINE REFIL CONTROLLER 1.4 GPM FOR PRESSURE VESSEL 21"	20	83		18,35
4	CD085	1000425	BRINE REFIL CONTROLLER 2.0 GPM FOR PRESSURE VESSEL 24"	20	83		18,35
4	CD086	1000426	BRINE REFIL CONTROLLER 3.0 GPM FOR PRESSURE VESSEL 30"	20	83		18,35
4	CD087	1000427	BRINE REFIL CONTROLLER 5.0 GPM FOR PRESSURE VESSEL 36"	20	83		18,35
5	CD080	1000479	REFILL CONTROL CAGE	20	83		14,36

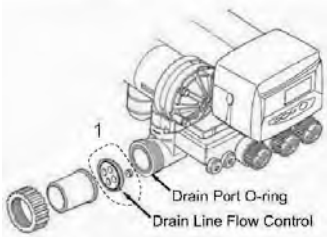
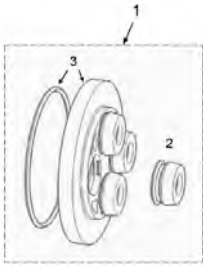
MAGNUM INJECTOR ASSEMBLY PARTS



Number	Ref	P.N.	Description	Fam.	Subfam.		Price Euro
1	CD091	1040670	INJECTOR 0.5 GPM FOR PRESSURE VESSEL 14"	20	83		34,67
1	CD092	1040671	INJECTOR 0.5 GPM FOR PRESSURE VESSEL 16"	20	83		34,67
1	CD093	1040672	INJECTOR 0.6 GPM FOR PRESSURE VESSEL 18"	20	83		34,67
1	CD094	1040673	INJECTOR 0.9 GPM FOR PRESSURE VESSEL 21"	20	83		34,67
1	CD095	1040674	INJECTOR 1.4 GPM FOR PRESSURE VESSEL 24"	20	83		34,67
1	CD096	1040675	INJECTOR 2.0 GPM FOR PRESSURE VESSEL 30"	20	83		34,67
1	CD097	1040676	INJECTOR 3.3 GPM FOR PRESSURE VESSEL 36"	20	83		34,67
1	CD098	1040669	BLANK INJECTOR	20	83		34,67
2	CD088	1040677	INJECTOR ASSEMBLY W/O INJECTOR	20	83		26,18
3	CD090	1000322	INJECTOR SCREEN P/N 1000322	20	83		12,29
4	CD099	1040688	PLUG FOR INJECTOR, REFILL AND PRESSURE REGULATORPORTS	20	83		12,29



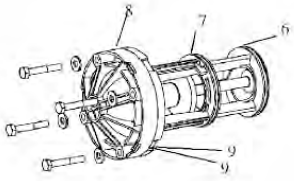
MAGNUM DRAIN LINE FLOW CONTROL PART LIST



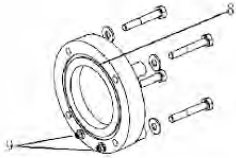
Number	Ref	P.N.	Description	Fam.	Subfam.		Price Euro
1	CC101	1040720	FLOW CONTROL DISK 05 GPM	20	82		59,40
1	CC102	1040721	FLOW CONTROL DISK 06 GPM	20	82		59,40
1	CC103	1040723	FLOW CONTROL DISK 08 GPM	20	82		59,40
1	CC104	1040725	FLOW CONTROL DISK 10 GPM	20	82		59,40
1	CC105	1040728	FLOW CONTROL DISK 13 GPM	20	82		59,40
1	CC114	1040729	FLOW CONTROL DISK 14 GPM	20	82		59,40
1	CC106	1040740	FLOW CONTROL DISK 15 GPM	20	82		59,40
1	CC107	1040745	FLOW CONTROL DISK 20 GPM	20	82		59,40
1	CC108	1040747	FLOW CONTROL DISK 22 GPM	20	82		59,40
1	CC110	1040735	FLOW CONTROL DISK 30 GPM	20	82		59,40
1	CC111	1040750	FLOW CONTROL DISK 35 GPM	20	82		59,40
1	CC112	1040755	FLOW CONTROL DISK 40 GPM	20	82		59,40
1	CD101	1040756	FLOW CONTROL INSERT 05 GPM BLUE	20	83		3,93
2	CD102	1040757	FLOW CONTROL INSERT 06 GPM RED	20	83		3,95
2	CD103	1040758	FLOW CONTROL INSERT 07 GPM LIGHT BROWN	20	83		3,95
2	CD104	1040759	FLOW CONTROL INSERT 08 GPM GREEN	20	83		3,93
2	CD105	1040760	FLOW CONTROL INSERT 09 GPM LIGHT BROWNE	20	83		3,93
2	CD106	1040761	FLOW CONTROL INSERT 10 GPM BRICK RED	20	83		3,95
2	CD107	1040763	BLANK FLOW CONTROL INSERT BLACK	20	83		3,93
2	CD180		DLFC INSERTS KIT*	20	83		30,29
3	CD108	1040762	FLOW CONTROL DISC WITH O-RING	20	83		45,68



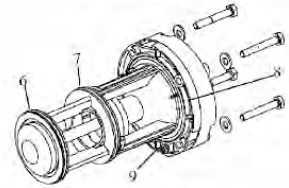
MAGNUM CARTRIDGES PARTS LIST



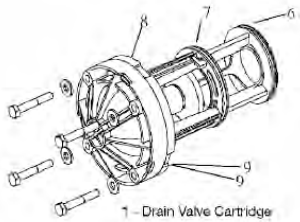
2 - Rinsing Valve Cartridge



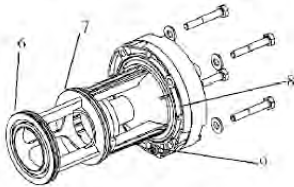
4 - Hard Water Bypass Cap



5 - Inlet Valve Cartridge



1 - Drain Valve Cartridge

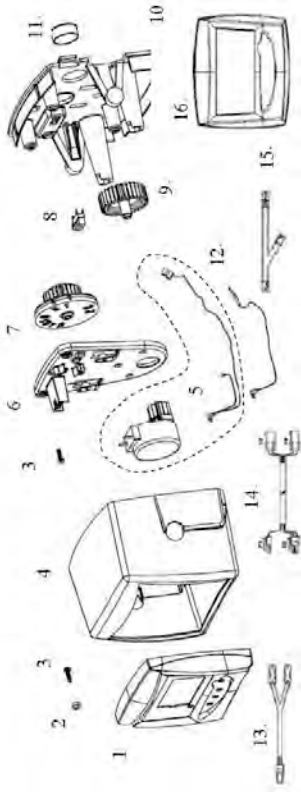


3 - No Hard Water Bypass Valve Cartridge

Number	Ref	P.N.	Description	Fam.	Subfam.		Price Euro
1-3	CD111	1000366	DRAIN VALVE/NO HARD WATER BYPASS VALVE CARTRIDGE	20	83		154,27
2	CD112	1000365	RINSE VALVE CARTRIDGE	20	83		215,08
4	CD114	1000336	HARD WATER BYPASS CAP	20	83		42,42
5	CD113	1000317	INLET VALVE CARTRIDGE	20	83		215,08
6	CD118	1010157	O RING # 6 P/N 1010157	20	83		1,78
7	CD119	1010158	O RING # 7 P/N 1010158	20	83		1,78
8	CD120	1231646	O RING # 8 P/N 1231646	20	83		3,86
9	CD124	1010116	O RING # 9 P/N 1010116	20	83		1,17
Not shown	CD116	1040690	O-RING KIT FOR HARD WATER BYPASS CAP P/N 1040690	20	83		10,29
Not shown	CD115	1040689	O-RING KIT P/N 1040689	20	83		9,88



SERIES MAGNUM 700 TIMER LIST



Number	Ref	P.N.	Description	Fam.	Subfam.		Price Euro
1	AW512E		TIMER 742C W/CHECK SALT 12V 50/60HZ SYMBOL	10	64		276,56
1	AW515E		TIMER 762C W/CHECK SALT 12V 50/60HZ SYMBOL	10	64		351,44
1	AW518E		TIMER 742F W/CHECK SALT 12V 50/60HZ SYMBOL	10	64		324,56
1	AW525E		TIMER 762F W/CHECK SALT 12V 50/60HZ SYMBOL	10	64		331,52
1	AW505E		TIMER 764C W/CHECK SALT 12V 50/60HZ SYMBOL	10	64		390,69
2	CD135	1266224	BUSHING LOGIX MOUNT	20	83		1,51
3	CD136	1005981	SCREW FOR MAGNUM LOGIX MOUNT	20	83		1,55
5	AW126	1238861	MOTOR W/SPACER AND PINION AND CABLE SERIES 700 P/N 1238861	10	64		90,32
7	CD139	1262581	DRIVE GEAR LOGIX MAGNUM CONTROL	20	83		85,99
8	AW129	1235373	OPTIC SENSOR P/N 1235373	10	64		21,13
9	CD128	1262672	IDLE GEAR LOGIX MAGNUM CONTROL	20	83		85,99
12	CD131	1266722	TURBINE CABLE LOGIX LG=0.8 M	20	83		83,17
12	CD132	1266723	TURBINE CABLE LOGIX LG=3 M	20	83		77,14
13	AW365	3016715	Y CABLE 4 PIN TURBINE SENSOR P/N 3016715	10	64		45,49
14	AW366	3016775	INTERCONNECTION CABLE LOGIX TWIN LG 3 M P/N 3016775	10	64		162,46
15	AW367	3020228	START/LOCKOUT CABLE 3 PIN MULTI TANK P/N 3020228	10	64		64,58
16	AW504	1254886	SLAVE CONTROLLER P/N 1254886	10	64		44,06
Not shown	AW500	1000814	EUROPEAN TRANFORMER 230/12V	10	64		46,00
Not shown	AW501	1000813	BRITISH TRANFORMER	10	64		46,00
Not shown	AV036A	1256257	KIT REMOTE LOGIX CONTROL W/TERMINAL BLOCKS P/N 1256257	10	62		65,03
Not shown	AV023A	1239979	4 PIN CONNECTOR CABLE START 700 SERIES	10	62		23,93

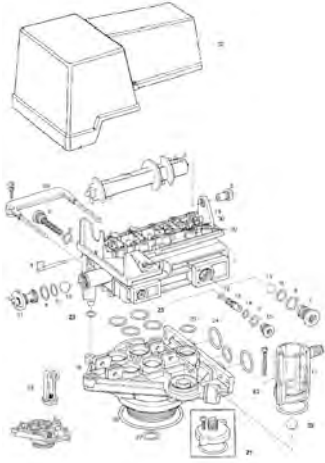


PARTS LIST VALVE 255 D.I.

Number	Ref	P.N.	Description	Fam.	Subfam.		Price Euro
Not shown	AW030	1030933	BACWASH BALL 155 DEMI	10	64		2,70
Not shown	AW040	1033441	CAP 255 DI P/N 1033442	10	64		31,12
Not shown	AW041	1034117	INJECTOR A 255 DI P/N 1034117	10	64		32,71
Not shown	AW042	1034118	INJECTOR B 255 DI P/N 1034118	10	64		32,71
Not shown	AW043	1034119	INJECTOR C 255 DI P/N 1034119	10	64		32,71
Not shown	AW044	1033437	BACKWASH 08 255DI P/N 1033437	10	64		31,17
Not shown	AW045	1033438	BACKWASH 09 255 DI P/N 1033438	10	64		31,17
Not shown	AW046	1033439	BACKWASH 10 255DI P/N 1033439	10	64		31,17
Not shown	AW047	1033440	BACKWASH 12 255DI P/N 1033440	10	64		31,17
Not shown	AW048	1034110	CHECK VALVE 255 DI	10	64		12,02
Not shown	AW049EP	1034185	EPDM O-RING SET FOR 255 DI VALVE TOP/BOTTOM COUPLING*	10	64		10,96
Not shown	AW050EP	1033268	KIT OR EPDM 255 DI*	10	64		6,50



PARTS LIST VALVE 155



Number	Ref	P.N.	Description	Fam.	Subfam.		Price Euro
3	AW146A	1030501	CAMSHAFT BEARING FOR COVER Lid NEW STYLE	10	64		3,59
7	AW014	1000208	BACKWASH CONTROL 06 WITH O-RING	10	64		14,22
7	AW100	1000209	BACKWASH CONTROL 07 WITH O-RING	10	64		14,22
7	AW101	1000210	BACKWASH CONTROL 08 WITH O-RING	10	64		14,22
7	AW102	1000211	BACKWASH CONTROL 09 WITH O-RING	10	64		14,22
7	AW103	1000212	BACKWASH CONTROL 10 WITH O-RING	10	64		14,22
7	AW104	1000213	BACKWASH CONTROL 12 WITH O-RING	10	64		14,22
7	AW105	1000214	BACKWASH CONTROL 13 WITH O-RING	10	64		14,22
10	AW139	1030502	FLOW CONTROL BALL	10	64		1,20
11	AW110	1034261	BRINE REFILL CONTROL 10 Lbs	10	64		32,25
11	AW111	1034263	BRINE REFILL CONTROL 19 Lbs	10	64		32,25
12	AW130	1032970	INJECTOR A WHITE WITH O-RING	10	64		9,25
12	AW131	1032971	INJECTOR B BLUE WITH O-RING	10	64		9,25
12	AW132	1032972	INJECTOR C RED WITH O-RING	10	64		9,25
16	AW170	1033784	ADAPTER PRESSURE VESSEL 2.1/2" FOR TUBE 1.05"	10	64		140,83
17	AW190	1032417	KIT AIR-CHECK 1/4" MALE	10	64		22,15
20	AW025	1033013	VALVE DISCS KIT FOR 155-163-168	10	64		33,09
21	AW191	1033066	NEW TO OLD AIR CHECK ADAPTER	10	64		6,71
22	AW140	1030528	AIR-CHECK BALL	10	64		1,29
23	AW195	1001404	O-RING SET FOR 255 VALVE TOP/BOTTOM COUPLING	10	64		9,56
24	AW196	1040459	O-RING SET*	10	64		0,72
25	AW175		INOX SCREW 8-32 UNC LG. 75mm	10	64		3,73
Not shown	AW197		O-RING SET W/SCREWS AND NUTS*	10	64		5,44
26	AW172	1010154	O-RING ADAPTER FOR PRESSURE VESSEL 2.1/2"	10	64		7,56
27	AW169	1232370	O-RING 1.05"	10	64		1,47
28	AW173	1031402	LOCKING BAR	10	64		10,79
29	AW174	3030450	TOP PLATE SCREW NO 8x9/16"	10	64		0,96
30	AW181	1001580	VALVE DISC SPRING	10	64		1,17



Autotrol Valves Series 255 Accessories



Bypass Kits 256: with gaskets, brass adapters, screws and nuts.

Ref	Description	Fam.	Subfam.		Price Euro
AV028	BY-PASS 256 KIT BRASS 3/4" GAS*	10	62		76,40
AV029	BY-PASS 256 KIT BRASS 1" GAS*	10	62		77,26

Ref	Description	Connections in/out	Drain line
AV028	BY-PASS 256 KIT BRASS 3/4" GAS*	3/4"	1/2"
AV029	BY-PASS 256 KIT BRASS 1" GAS*	1"	1/2"

Box: WxLxH	Box: Q.ty	Box: Weight	Pallet: WxLxH	Pallet: Q.ty	Pallet: Weight



Female manifold kits: with o-rings, screws and nuts.

Ref	Description	Fam.	Subfam.		Price Euro
AV013	MANIFOLD KIT NORYL FEMALE 3/4" BSPT	10	62		19,34
AV010	MANIFOLD KIT BRASS FEMALE 3/4" GAS*	10	62		38,90
AV011	MANIFOLD KIT BRASS FEMALE 1" GAS*	10	62		41,20

Ref	Description	Connections In/Out	Drain line	Material
AV013	MANIFOLD KIT NORYL FEMALE 3/4" BSPT	3/4"	1/2"	Noryl
AV010	MANIFOLD KIT BRASS FEMALE 3/4" GAS*	3/4"	3/8"	Brass
AV011	MANIFOLD KIT BRASS FEMALE 1" GAS*	1"	1/2"	Brass

Box: WxLxH	Box: Q.ty	Box: Weight	Pallet: WxLxH	Pallet: Q.ty	Pallet: Weight



Female mixing manifold kits : with o-rings, screws and nuts.

Ref	Description	Fam.	Subfam.		Price Euro
AV007	MANIFOLD KIT 3/4" GAS BRASS MIXER*	10	62		57,40
AV012	MANIFOLD KIT BRASS FEMALE 1" GAS MIXER*	10	62		59,93

Ref	Description	Connections in/out	Drain line	Material
AV007	MANIFOLD KIT 3/4" GAS BRASS MIXER*	3/4"	3/8"	Brass
AV012	MANIFOLD KIT BRASS FEMALE 1" GAS MIXER*	1"	1/2"	Brass

Box: WxLxH	Box: Q.ty	Box: Weight	Pallet: WxLxH	Pallet: Q.ty	Pallet: Weight



Autotrol Valves Series 255 Accessories



Male manifold kits

- in plastic material Noryl;
- with o-rings, screws and nuts.

Ref	Description	Fam.	Subfam.		Price Euro
AV001	MANIFOLD 3/4" MALE WITH TURBINE P/N 1234260	10	62		79,36
AV001A	MANIFOLD 255 3/4" BSP MALE NORYL + KIT P/N 123425	10	62		28,70
AV022	MANIFOLD 1" MALE WITH TURBINE + KIT P/N 1234259	10	62		79,36
AV022A	MANIFOLD 255 1" BSP MALE NORYL + KIT P/N 1234255	10	62		28,70

Ref	Description	Connections in/out	Drain line	Option
AV001	MANIFOLD 3/4" MALE WITH TURBINE P/N 1234260	3/4"	3/4"	With turbine
AV001A	MANIFOLD 255 3/4" BSP MALE NORYL + KIT P/N 123425	3/4"	3/4"	Without turbine
AV022	MANIFOLD 1" MALE WITH TURBINE + KIT P/N 1234259	1"	1/2"	With turbine
AV022A	MANIFOLD 255 1" BSP MALE NORYL + KIT P/N 1234255	1"	1/2"	Without turbine

Box: WxLxH	Box: Q.ty	Box: Weight	Pallet: WxLxH	Pallet: Q.ty	Pallet: Weight

Slim cover for valve 255 Logix

- in plastic material.

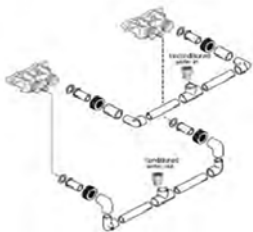


Ref	Description	Fam.	Subfam.		Price Euro
AW145	255 LOGIX SLIM COVER	10	10		28,78

Box: WxLxH	Box: Q.ty	Box: Weight	Pallet: WxLxH	Pallet: Q.ty	Pallet: Weight

D. 32 interconnection kit for 255/764twin residential duplex systems

- special manifold for AUTOTROL 255 valves included;
- for twin alternating and twin parallel systems



Ref	Description	Fam.	Subfam.		Price Euro
AV119	INTERCONNECTION KIT 255/764 TWIN D.32 X 1" FEMALE*	10	62		251,18

Quantity	Description
2	Adapter PVC-U D = 32 mm - 1"
2	Tee connection T PVC-U D = 32 mm
4	Elbow PVC-U D = 32 mm D1 = 25 mm
4	Tube PVC-U D = 32 mm
2	Elbow D = 32 mm
2	Coupling sleeve D = 32 mm
2	Manifold kit with adapter D. 32 to glue
2	256 by-pass with o-rings, screws and nuts

Box: WxLxH	Box: Q.ty	Box: Weight	Pallet: WxLxH	Pallet: Q.ty	Pallet: Weight



Autotrol Valves Series 263 - 268 - 278 Accessories

1265 bypass Kits

- special manifold for AUTOTROL valves series 263, 268 and 278;
- with gaskets, brass adapters and nuts.

Ref	Description	Fam.	Subfam.		Price Euro
AV039	BY-PASS 1265 KIT BRASS 1" GAS*	10	62		103,86
AV040	BY-PASS KIT 1265 BRASS 1 1/4" GAS*	10	62		146,21

Ref	Description	Connections in/out
AV039	BY-PASS 1265 KIT BRASS 1" GAS*	1"
AV040	BY-PASS KIT 1265 BRASS 1 1/4" GAS*	1 1/4 "

Box: WxLxH	Box: Q.ty	Box: Weight	Pallet: WxLxH	Pallet: Q.ty	Pallet: Weight

Manifold Kits

- special manifold for AUTOTROL valves series 263, 268 and 278;
- with 2 gaskets, 2 adapters and 2 nuts.

Ref	Description	Fam.	Subfam.		Price Euro
AV030B	MANIFOLD KIT BRASS MALE 3/4" GAS*	10	62		17,24
AV031B	MANIFOLD KIT BRASS MALE " GAS*	10	62		17,96
AV032	MANIFOLD KIT PVC D,32	10	62		32,17
AV038	MANIFOLD KIT BRASS MALE 1 1/4" GAS*	10	62		57,78

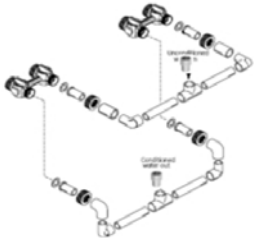
Ref	Description	Raccordi in/out
AV030B	MANIFOLD KIT BRASS MALE 3/4" GAS*	3/4
AV031B	MANIFOLD KIT BRASS MALE " GAS*	1"
AV032	MANIFOLD KIT PVC D,32	D.32
AV038	MANIFOLD KIT BRASS MALE 1 1/4" GAS*	1 1/4"

Box: WxLxH	Box: Q.ty	Box: Weight	Pallet: WxLxH	Pallet: Q.ty	Pallet: Weight





Autotrol Valves Series 278 Accessories



Kit di intercollegamento D. 32 per sistemi duplex residenziali 278/764 twin

- special manifold for AUTOTROL 278 valves included;
- for twin alternating and twin parallel systems;
- with IN/OUT connection D.32;

Ref	Description	Fam.	Subfam.		Price Euro
AV128	INTERCONNECTION KIT 278/764 TWIN D.32 X 1" FEMALE*	10	62		310,08

Quantity	Description
2	Adapter PVC-U D = 32 mm - 1"
2	Tee connection T PVC-U D = 32 mm
4	Elbow PVC-U D = 32 mm D1 = 25 mm
4	Tube PVC-U D = 32 mm
2	Elbow D = 32 mm
2	Coupling sleeve D = 32 mm
2	Manifold kit with adapter D. 32 to glue
2	1265 by-pass with o-rings, screws and nuts

Box: WxLxH	Box: Q.ty	Box: Weight	Pallet: WxLxH	Pallet: Q.ty	Pallet: Weight



D.40 interconnection kit for 278/764 twin residential duplex systems

- special manifold for AUTOTROL 278 valves included;
- for twin alternating and twin parallel systems;
- with IN/OUT connection D.40;

Ref	Description	Fam.	Subfam.		Price Euro
AV129	INTERCONNECTION KIT 278/764 TWIN D.40 X 1" 1/4 FEMALE *	10	62		326,13

Quantity	Description
2	Adapter PVC-U D = 40 mm - 1 1/4"
2	Tee connection T PVC-U D = 40 mm
4	Reducing socket PVC-U D = 40 mm D2 = 32 mm
4	Elbow PVC-U D = 32 mm D1 = 25 mm
4	Tube PVC-U D = 32 mm
2	Elbow D = 32 mm
2	Coupling sleeve D = 32 mm
2	Manifold kit with adapter D. 32 to glue
2	1265 by-pass with o-rings, screws and nuts

Box: WxLxH	Box: Q.ty	Box: Weight	Pallet: WxLxH	Pallet: Q.ty	Pallet: Weight



Autotrol Valves Magnum Accessories

Magnum side mounting adapters

- in PVC material



Ref	Description	Fam.	Subfam.		Price Euro
CC084	SIDE MOUNT ADAPTER PVC 2" BSPT FEMALE	20	82		305,66
CC084A	MAGNUM SIDE MOUNT ADAPTER PVC D.63 MALE TO GLUE	20	82		292,45

Box: WxLxH	Box: Q.ty	Box: Weight	Pallet: WxLxH	Pallet: Q.ty	Pallet: Weight



Manifold kits

- with 3 nuts, 3 gaskets and 3 adapters.

Ref	Description	Fam.	Subfam.		Price Euro
CC080	MAGNUM 1,5" STAINLESS STEEL ADAPTER KIT BSPT	20	82		103,82
CC081	MAGNUM 1.5" PVC D.50 MM ADAPTER KIT	20	82		62,41
CC082	MAGNUM 2" STAINLESS STEEL ADAPTER KIT BSPT	20	82		138,48
CC083	MAGNUM 2" PVC D.63 MM ADAPTER KIT	20	82		100,93

Ref	Description	in/out Connection	For autotrol valve
CC080	MAGNUM 1,5" STAINLESS STEEL ADAPTER KIT BSPT	1½"BSPT	Magnum cv 1,5" series
CC081	MAGNUM 1.5" PVC D.50 MM ADAPTER KIT	D.50	Magnum cv 1,5" series
CC082	MAGNUM 2" STAINLESS STEEL ADAPTER KIT BSPT	2" BSPT	Magnum it 2" series
CC083	MAGNUM 2" PVC D.63 MM ADAPTER KIT	D.63	Magnum it 2" series

Box: WxLxH	Box: Q.ty	Box: Weight	Pallet: WxLxH	Pallet: Q.ty	Pallet: Weight



Autotrol Valves Magnum Accessories



D.25 NPT 3/4" Pipe Union

- Suitable for brine line connection of the Magnum valves, alone or in coupling with a bonding hose connection (REF. CC086);
- In PVC-U.

Ref	Description	Fam.	Subfam.		Price Euro
CC085	UNION D.25 NPT 3/4" PVC-U	20	82		23,29

Box: WxLxH	Box: Q.ty	Box: Weight	Pallet: WxLxH	Pallet: Q.ty	Pallet: Weight



D.25 Drain Fitting to glue

- Suitable for brine line connection of the Magnum valves, in coupling with D.25 NPT 3/4" pipe union (REF. CC085);
- In PVC-U.

Ref	Description	Fam.	Subfam.		Price Euro
CC086	HOSE CONNECTION D.25 PVC-U TO GLUE	20	82		3,84

Box: WxLxH	Box: Q.ty	Box: Weight	Pallet: WxLxH	Pallet: Q.ty	Pallet: Weight



3/4" - 3/4" F Elbow Fitting

- Suitable for the Brine Valve CC059 or for air check CC064M;
- In PVC-U.

Ref	Description	Fam.	Subfam.		Price Euro
CC066	ELBOW PVC-U 3/4" F TO GLUE - 3/4" F THREADED	20	82		5,72

Box: WxLxH	Box: Q.ty	Box: Weight	Pallet: WxLxH	Pallet: Q.ty	Pallet: Weight

Valves Accessories



Blending kit for Autotrol valves

- kit of nut and screw to install on 255 and 268 valves for blending of hard and softened water;
- insert the nut into the blending valve orifice located near the bypass flapper. Insert the screw through the top plate and the nut, and the screw until it touch the bypass flapper ;
- tightening the screw will force the bypass flapper open witch will blend hard water into the softened water supply. Loosening the screw will allow the bypass flapper to close reducing the blending;
- test the water and adjust the screw until the desired hardness level is reached.

Ref	Description	Fam.	Subfam.		Price Euro
AV037	BLENDING KIT SCREW FOR 700 SERIES AND 255/400 NEWSTYLE	10	62		14,10
AV185	MIXING VALVE FOR 366-368 VALVE	10	62		13,99

Box: WxLxH	Box: Q.ty	Box: Weight	Pallet: WxLxH	Pallet: Q.ty	Pallet: Weight



Valves Accessories

Twist lock upper screens



- in ABS;
- max diameter 60 mm, length 64 mm;
- slots 0,3 mm.

Ref	Description	Fam.	Subfam.		Price Euro
AV070	UPPER SCREEN 13/16" BAJONET (FOR 255 VALVE)	10	62		3,59
AV071	UPPER SCREEN 1.05" BAJONETALVES)	10	62		3,59

Box: WxLxH	Box: Q.ty	Box: Weight	Pallet: WxLxH	Pallet: Q.ty	Pallet: Weight

Certificates	Manufacturer	Sectors
DM174-2004		Domestic

Upper screen



- in ABS;
- max diameter 60 mm, length 64 mm;
- slots 0,3 mm.

Ref	Description	Fam.	Subfam.		Price Euro
AV073	UPPER SCREEN 1.05" (FOR 163,168 VALVES)	10	62		3,50

Box: WxLxH	Box: Q.ty	Box: Weight	Pallet: WxLxH	Pallet: Q.ty	Pallet: Weight

Certificates	Manufacturer	Sectors
DM174-2004		Domestic

Upper screens to glue



- in ABS;
- diameter 88 mm;
- slots 0,3 mm.

Ref	Description	Fam.	Subfam.		Price Euro
CC050	UPPER SCREEN D=48,3 MM	20	82		94,85
PV407	UPPER SCREEN FOR 4" ADAPTER 1.1/4" TUBE	50	241		94,85

Ref	Lenght (mm)	For tube (mm)	For autotrol valve
CC050	150	48,3	Magnum
PV407	150	41,8 (1 1/4 ")	Adapter 4"-PV402

Box: WxLxH	Box: Q.ty	Box: Weight	Pallet: WxLxH	Pallet: Q.ty	Pallet: Weight

Certificates	Manufacturer	Sectors
DM174-2004		Domestic, Commercial, Industrial



Valves Accessories



Fittings for valves

- Jaco Style elbow fittings for 3/8" tubing;
- material PP.

Ref	Description	Fam.	Subfam.		Price Euro
AV150	ELBOW FITTING AIR-CHECK 1/4" FEMALE NPT	10	62		3,88
AV154	ELBOW FITTING 3/8" FEMALE NPT	10	62		4,33

Ref	Description	For autotrol valve
AV150	ELBOW FITTING AIR-CHECK 1/4" FEMALE NPT	255
AV154	ELBOW FITTING 3/8" FEMALE NPT	268-366-368

Certificates	Manufacturer	Sectors
DM174-2004		Domestic



Fittings for valves

- Jaco Style straight fittings for 3/8" tubing;
- material PP.

Ref	Description	Fam.	Subfam.		Price Euro
AV152	STRAIGHT FITTING 1/4" MALE NPT	10	62		2,33
AV153	STRAIGHT FITTING 3/8" MALE NPT	10	62		2,49

Certificates	Manufacturer	Sectors
DM174-2004		Domestic



Fittings for valves

- Jaco Style elbow fittings for 3/8" tubing;
- material PP.

Ref	Description	Fam.	Subfam.		Price Euro
AV151	ELBOW FITTING AIR-CHECK 1/4" MALE NPT	10	62		3,22
AV160	ELBOW FITTING 1/4" FEMALE NPT JC 45-6-4 PO	10	62		3,38
AV159	ELBOW FITTING 3/8" MALE NPT	10	62		3,76

Ref	Description	For Autotrol valve
AV151	ELBOW FITTING AIR-CHECK 1/4" MALE NPT	155
AV160	ELBOW FITTING 1/4" FEMALE NPT JC 45-6-4 PO	
AV159	ELBOW FITTING 3/8" MALE NPT	

Certificates	Manufacturer	Sectors
DM174-2004		Domestic



Valves Accessories



Fittings for valves

- Jaco Style bulkhead union for 3/8" tubing;
- material PP.

Ref	Description	Fam.	Subfam.		Price Euro
AV156	BULKHEAD UNION 3/8" NPT	10	62		4,84

Certificates	Manufacturer	Sectors
DM174-2004		Domestic



Fittings for valves

- Jaco Style union elbow for 3/8" tubing;
- material PP.

Ref	Description	Fam.	Subfam.		Price Euro
AV155	ELBOW FITTING UNION 3/8" NPT	10	62		4,72

Certificates	Manufacturer	Sectors
DM174-2004		Domestic



Fittings for valves

- Jaco Style union TEE for 3/8" tubing;
- material PP.

Ref	Description	Fam.	Subfam.		Price Euro
AV158	UNION TEE 3/8" UNION NPT	10	62		6,26

Certificates	Manufacturer	Sectors
DM174-2004		Domestic



Straight drain fittings

- suitable for flexible hose 12,7 mm internal diameter;
- material nylon.

Ref	Description	Fam.	Subfam.		Price Euro
AV170	STRAIGHT DRAIN FITTING 3/8" M	10	62		2,40
AV171	STRAIGHT DRAIN FITTING 1/2" M	10	62		2,13
AV169	STRAIGHT DRAIN FITTING 1/2" FX16	10	62		2,66

Certificates	Manufacturer	Sectors
		Domestic



Elbowed drain fittings

- suitable for flexible hose 12,7 mm internal diameter;
- material nylon / polyethylene.

Ref	Description	Fam.	Subfam.		Price Euro
AV172	ELBOW DRAIN FITTING 3/8" M	10	62		2,56
AV173	ELBOW DRAIN FITTING 1/2" M	10	62		2,50
AV174	ELBOW DRAIN FITTING 1/2" F	10	62		3,63
AV175	ELBOW DRAIN FITTING 3/4" F	10	62		6,51

Certificates	Manufacturer	Sectors
		Domestic



Overflow elbows with nut

- material nylon.

Ref	Description	Fam.	Subfam.		Price Euro
AV180	OVERFLOW ELBOW 3/8"	10	62		2,95
AV181	OVERFLOW ELBOW 1/2"	10	62		5,90

Ref	Description	For hose int. ø (mm)
AV180	OVERFLOW ELBOW 3/8"	12,7
AV181	OVERFLOW ELBOW 1/2"	15,5

Certificates	Manufacturer	Sectors
		Domestic



Valves Accessories

Pvc tubes to glue

- for lower diffusors and lower lateral systems;
- to glue;
- in PVC.

Ref	Description	Fam.	Subfam.		Price Euro
AV126	PVC TUBE 3/8" OD (D OUT.=9,5MM - D IN.=7MM +0/-0,1) L=280MM	10	62		0,32
AV083	PVC TUBE 13/16" OD (D OUT.=20,6MM - D IN.=18MM +0/-0,3) L=889MM(35")	10	62		1,35
AV084	PVC TUBE 13/16" OD (D OUT.=20,6MM - D IN.=18MM +0/-0,3) L=1397MM(55")	10	62		2,15
AV087	PVC TUBE 1.05" OD (D OUT.=26,6MM - D IN.=23MM +0/-0,3) L=1829MM(72")	10	62		6,49
AV632	PVC TUBE D=32 MM (D OUT.=32MM - D IN.=28,4MM +0/-0,3) L=2000MM	22	940		10,03
CF012	PVC TUBE D=41,8 MM (D OUT.=42MM - D IN.=36MM +0/-0,3) L=2000MM	20	87		16,61
CC052	PVC TUBE D=48,3 MM (D OUT.=48,35MM - D IN.=42,3MM+0/-0,3) L=2000MM	20	82		19,48
CF050	PVC TUBE D=50 MM (D OUT.=50MM - D IN.=43,96MM +0/-0,3) L=2000MM	22	970		22,97
CF063	PVC TUBE D=63 MM (D OUT.=63MM - D IN.=56,96MM +0/-0,3) L=2000MM	22	970		31,44

Certificates	Manufacturer	Sectors
DM174-2004		Domestic, Commercial, Industrial

Diffusors with tube

- 1,05" hi-flow lower diffuser;
- PVC tube included;
- slots 0,3 mm.

Ref	Description	Fam.	Subfam.		Price Euro
AV116M	PVC TUBE 1.05" OD L=432MM(17") + LOWER DIFFUSER AV097*	10	62		5,57
AV117M	PVC TUBE 1.05" OD L=889MM(35") + LOWER DIFFUSER AV097*	10	62		6,69
AV103M	PVC TUBE 1.05" OD L=1397MM(55") + LOWER DIFFUSER AV097*	10	62		8,07
AV104M	PVC TUBE 1.05" OD L=1829MM(72") + LOWER DIFFUSER AV097*	10	62		9,33

Certificates	Manufacturer	Sectors
DM174-2004		Domestic





Lower diffusers to glue

- lower diffusers in ABS; max diameter 60 mm; slots 0,3 mm; connection to glue.

Ref	Description	Fam.	Subfam.		Price Euro
AV098	LOWER DIFFUSER CONIC (FOR 13/16" OD TUBE)	10	62		4,94
AV098A	LOWER DIFFUSER CONIC (FOR 1.05" OD TUBE)	10	62		4,32
AV097	LOWER DIFFUSER (FOR 1.05" OD TUBE)	10	62		4,94

Ref	Height (mm)	Flow (lpm) Δp 30 mbar
AV098	70	24
AV098A	80	32
AV097	90 high flow	40

Certificates	Manufacturer	Sectors
DM174-2004		Domestic



Cylindrical lower diffusers

- cylindrical lower diffuser in ABS, diameter 88 mm; slots 0,3 mm; connection to glue.

Ref	Description	Fam.	Subfam.		Price Euro
PV315	CYLINDRICAL LOWER DIFFUSER D. 1,05*	10	62		60,90
CF011	CYLINDRICAL LOWER DIFFUSER L=98MM TO GLUE FOR TUBE D=41,8MM	20	87		50,32
CF014	CYLINDRICAL LOWER DIFFUSER L=98MM TO GLUE FOR TUBE D=48,3MM	20	87		48,97
CC051	CYLINDRICAL LOWER DIFFUSER L=150MM TO GLUE FOR TUBE D=48,3MM	20	82		94,18
V-D1197-09	970 BOTTOM STACK DISTRIBUTOR 50 MM SOLVENT	25	850		101,81

Item	Ref	Length. (mm)	Ø For tube (mm)	For Autotrol valve
1	PV315	72	26,7 (1,05")	PERFORMA
1	CF011	98	41,8 (1¼")	180 old model -PV402
1	CF014	98	48,3	180 new model
2	CC051	150	48,3	Magnum
2	V-D1197-09	150	50	-

Certificates	Manufacturer	Sectors
DM174-2004		Commercial, Industrial



Segmented lower diffusers

- segmented lower diffuser in ABS; diameter 66 mm;
- slots 0,3 mm; to glue on tube 1,05"; flow = 50 lpm Δp 30 mbar.

Ref	Description	Fam.	Subfam.		Price Euro
AV099A	SEGMENTED LOWER DIFFUSER (FOR 1.05" OD TUBE)	10	62		20,62
AV099C	SEGMENTED LOWER DIFFUSER (FOR D.32 MM TUBE)	10	62		18,47

Ref	Length. (mm)	Ø For tube (mm)
AV099A	102	26,7 (1,05")
AV099C	98,5	32

Certificates	Manufacturer	Sectors
DM174-2004		Domestic



Valves Accessories

Lower lateral systems for top mounted valves

- For top mounted valves;
- ABS material;
- With 8 laterals (threaded connection) slots 0,3 mm;
- Hub connection to glue.



Ref	Description	Fam.	Subfam.		Price Euro
PV316	LOWER THREADED LATERAL DIFFUSER FOR 263-268-278 14"-16"	10	62		127,96
PV317	LOWER THREADED LATERAL DIFFUSER FOR 263-268-278 18"-21"-24"	10	62		130,45
PV31632	LOWER LATERAL DIFFUSER FOR TUBE D.32 MM 14"-16"	10	62		133,72
PV31732	LOWER LATERAL DIFFUSER FOR TUBE D.32 MM 18"-21"-24"	10	62		136,33
PV318	LOWER THREADED LATERAL DIFFUSER FOR PV402 ADAPTER14"-16"	20	87		127,96
PV319	LOWER THREADED LATERAL DIFFUSER FOR PV402 ADAPTER18"-21"-24"	20	87		126,91
PV320	LOWER THREADED LATERAL DIFFUSER FOR MAGNUM 14"-16	20	82		127,97
PV321	LOWER THREADED LATERAL DIFFUSER FOR MAGNUM 18"-21"-24"	20	82		130,45
PV322	LOWER THREADED LATERAL DIFFUSER FOR MAGNUM 30"	20	82		138,73
PV323	LOWER THREADED LATERAL DIFFUSER FOR MAGNUM 36"	20	82		142,05

Ref	Description	Ø Useful fo vessel (pollici)	Ø Hub connect for tube (mm)
PV316	LOWER THREADED LATERAL DIFFUSER FOR 263-268-278 14"-16"	14"-16"	26,7 (1,05")
PV317	LOWER THREADED LATERAL DIFFUSER FOR 263-268-278 18"-21"-24"	18"-21"-24"	26,7 (1,05")
PV31632	LOWER LATERAL DIFFUSER FOR TUBE D.32 MM 14"-16"	14"-16"	32
PV31732	LOWER LATERAL DIFFUSER FOR TUBE D.32 MM 18"-21"-24"	18"-21"-24"	32
PV318	LOWER THREADED LATERAL DIFFUSER FOR PV402 ADAPTER14"-16"	14"-16"	41,8 (1¼")
PV319	LOWER THREADED LATERAL DIFFUSER FOR PV402 ADAPTER18"-21"-24"	18"-21"-24"	41,8 (1¼")
PV320	LOWER THREADED LATERAL DIFFUSER FOR MAGNUM 14"-16	14"-16"	48,3 (1,90")
PV321	LOWER THREADED LATERAL DIFFUSER FOR MAGNUM 18"-21"-24"	18"-21"-24"	48,3 (1,90")
PV322	LOWER THREADED LATERAL DIFFUSER FOR MAGNUM 30"	30"	48,3 (1,90")
PV323	LOWER THREADED LATERAL DIFFUSER FOR MAGNUM 36"	36"	48,3 (1,90")

Box: WxLxH	Box: Q.ty	Box: Weight	Pallet: WxLxH	Pallet: Q.ty	Pallet: Weight

Certificates	Manufacturer	Sectors
DM174-2004		Commercial, Industrial



Lower lateral systems for top mounted valves

- For top mounted valves;
- ABS material;
- With 6 twist lock laterals, slots 0,25 mm;
- Hub connection to glue.

Ref	Description	Fam.	Subfam.		Price Euro
PV316B	TWIST LOCK LOWER LATERAL DIFFUSER FOR 263-268-27814-16"	10	62		35,78
PV317B	TWIST LOCK LOWER LATERAL DIFFUSER FOR 263-268-27818-21-24"	10	62		37,67
PV318B	TWIST LOCK LOWER LATERAL DIFFUSER FOR PV102 14-16	10	62		35,78
PV319B	TWIST LOCK LOWER LATERAL DIFFUSER FOR PV102 18-21-24"	10	62		36,71
PV320B	TWIST LOCK LOWER LATERAL DIFFUSER FOR MAGNUM 14-16"	10	62		34,98
PV321B	TWIST LOCK LOWER LATERAL DIFFUSER FOR MAGNUM 18-21-24"	10	62		33,82
PV322B	TWIST LOCK LOWER LATERAL DIFFUSER FOR MAGNUM 30"	10	62		62,16
PV323B	TWIST LOCK LOWER LATERAL DIFFUSER FOR MAGNUM 36"	10	62		68,08
PV320B50	TWIST LOCK LOWER LATERAL DIFFUSER FOR D.50 TUBE 14-16"	10	62		34,98
PV321B50	TWIST LOCK LOWER LATERAL DIFFUSER FOR D.50 TUBE 18-21-24"	10	62		33,82
PV322B50	TWIST LOCK LOWER LATERAL DIFFUSER FOR D.50 TUBE 30"	10	82		62,16
PV323B50	TWIST LOCK LOWER LATERAL DIFFUSER FOR D.50 TUBE 36"	10	82		68,08

Ref	Ø Useful for vessels (inch)	Ø Hub connect for tube (mm)	Ø D (mm)	For Autotrol valve
PV316B	14"-16"	26,7 (1,05")	260	PERFORMA
PV317B	18"-21"-24"	26,7 (1,05")	373	PERFORMA
PV318B	14"-16"	41,8 (1¼")	260	PV402
PV319B	18"-21"-24"	41,8 (1¼")	373	PV402
PV320B	14"-16"	48,3 (1,90")	260	MAGNUM
PV321B	18"-21"-24"	48,3 (1,90")	373	MAGNUM
PV322B	30"	48,3 (1,90")	563	MAGNUM
PV323B	36"	48,3 (1,90")	705	MAGNUM
PV320B50	14"-16"	50 (2")	260	
PV321B50	18"-21"-24"	50 (2")	373	
PV322B50	30"	50 (2")	563	
PV323B50	36"	50 (2")	705	

Box: WxLxH	Box: Q.ty	Box: Weight	Pallet: WxLxH	Pallet: Q.ty	Pallet: Weight

Certificates	Manufacturer	Sectors
		Commercial, Industrial



Valves Accessories

Diffusor for brine draw

- connection for rigid or flexible tube 3/8".



Ref	Description	Fam.	Subfam.		Price Euro
AV118	DIFFUSER FOR BRINE TUBE 3/8" OD	10	62		4,88

Box: WxLxH	Box: Q.ty	Box: Weight	Pallet: WxLxH	Pallet: Q.ty	Pallet: Weight

Certificates	Manufacturer	Sectors
		Domestic

Mesh type screen with tube

- mesh type screen for brine complete with 3/8" PVC tube length 42".



Ref	Description	Fam.	Subfam.		Price Euro
AV090M	PVC TUBE 3/8" OD L=1067MM(42") + MESH TYPE SCREENAV075	10	62		5,98

Box: WxLxH	Box: Q.ty	Box: Weight	Pallet: WxLxH	Pallet: Q.ty	Pallet: Weight

Certificates	Manufacturer	Sectors
		Domestic

Mesh type screen for brine

- For 3/8" tube to glue.



Ref	Description	Fam.	Subfam.		Price Euro
AV075	MESH TYPE SCREEN FOR BRINE (FOR 3/8" OD TUBE)	10	62		6,67

Box: WxLxH	Box: Q.ty	Box: Weight	Pallet: WxLxH	Pallet: Q.ty	Pallet: Weight

Certificates	Manufacturer	Sectors
		Domestic



Valves Accessories

Polyethylene flexible tubes

- flexible tubes 1/4" or 3/8" (= 9,54 mm) diameter;
- availability of different colors;
- hanks of 100 m (only AV140 is 30 m).



Ref	Description	Fam.	Subfam.		Price Euro
AV140	POLYETILENE 3/8" CLEAR ROLL 30 MT	10	62		40,94
DH252	POLYETILENE 3/8" BLACK ROLL 100 MT	30	175		112,39
DH253	POLYETILENE 3/8" WHITE ROLL 100 MT	30	175		107,02
DH254	POLYETILENE 3/8" RED ROLL 100 MT	30	175		107,02
DH255	POLYETILENE 3/8" BLUE ROLL 100 MT	30	175		107,02
DH231	POLYETILENE 1/4" CLEAR ROLL 100 MT	30	175		49,01
DH232	POLYETILENE 1/4" BLACK ROLL 100 MT	30	175		46,64
DH233	POLYETILENE 1/4" WHITE ROLL 100 MT	30	175		46,64
DH234	POLYETILENE 1/4" RED ROLL 100 MT	30	175		46,64
DH235	POLYETILENE 1/4" BLUE ROLL 100 MT	30	175		46,64

Box: WxLxH	Box: Q.ty	Box: Weight	Pallet: WxLxH	Pallet: Q.ty	Pallet: Weight

Certificates	Manufacturer	Sectors
DM174-2004		Domestic

J-tube air-check with tube

- J-tube with air-check, complete with PVC tube.



Ref	Description	Fam.	Subfam.		Price Euro
AV093M	PVC TUBE 3/8" OD L=1067MM(42") + AIR-CHECK AV108*	10	62		8,28
CC064M	PVC TUBE 3/4" OD L=1200MM + AIR-CHECK CC063*	10	62		76,96

Ref	Description	Tube diameter (inch)	Lenght (mm)
AV093M	PVC TUBE 3/8" OD L=1067MM(42") + AIR-CHECK AV108*	3/8"	1060
CC064M	PVC TUBE 3/4" OD L=1200MM + AIR-CHECK CC063*	3/4"	1200

Box: WxLxH	Box: Q.ty	Box: Weight	Pallet: WxLxH	Pallet: Q.ty	Pallet: Weight

Certificates	Manufacturer	Sectors
		Domestic, Commercial, Industrial



Brine Valves Accessories

Model 464

- model 464 Standard version (for no timed refill controls) and High Flow (for timed refill controls);
- connection for 3/8" tubing;
- length tube 42" (1060 mm);
- length float rod 600 mm;
- brine draw rate 3,8 l/min @ 152 mm Hg vacuum;
- max operating pressure 8,5 bar 40°C;
- brine well diameter 90 mm min.

Ref	Description	Fam.	Subfam.		Price Euro
AV096	464 STANDARD BRINE VALVE KIT + PVC TUBE 3/8" OD L*=1067MM(42")*	10	62		50,00
AV125	464 HIGH FLOW BRINE VALVE KIT + PVC TUBE 3/8" ODL=1067MM(42")*	10	62		50,00

Ref	Description	Refill flow rate (l/min) @ 3,5 bar
AV096	464 STANDARD BRINE VALVE KIT + PVC TUBE 3/8" OD L*=1067MM(42")*	1,3
AV125	464 HIGH FLOW BRINE VALVE KIT + PVC TUBE 3/8" ODL=1067MM(42")*	3,8

Box: WxLxH	Box: Q.ty	Box: Weight	Pallet: WxLxH	Pallet: Q.ty	Pallet: Weight

Certificates	Manufacturer	Sectors
		Domestic



Model 484

- complete with 3/4" tube length 1200 mm;
- length float rod 915 mm;
- refill flow rate 15 l/min @ 3,5 bar;
- brine draw rate 38 l/min @ 66 mm Hg vacuum;
- max operating pressure 8,5 bar @ 40°C;
- brine well diameter 130 mm.

Ref	Description	Fam.	Subfam.		Price Euro
CC059	PVC TUBE 3/4" OD L=1200MM + 484 BRINE VALVE*	20	82		175,00

Box: WxLxH	Box: Q.ty	Box: Weight	Pallet: WxLxH	Pallet: Q.ty	Pallet: Weight

Certificates	Manufacturer	Sectors
		Commercial, Industrial



Model 2310

- length float rod 774 mm;
- refill flow rate 4,5 l/min;
- brine draw rate 2,1 l/min;
- max operating pressure 8,6 bar @ 40°C;
- brine well diameter 100 mm;
- without air check.

Ref	Description	Fam.	Subfam.		Price Euro
FVA060067-03	SBV 2310 - BRINE VALVE WITHOUT AIR CHECK	23	590		37,72

Box: WxLxH	Box: Q.ty	Box: Weight	Pallet: WxLxH	Pallet: Q.ty	Pallet: Weight

Certificates	Manufacturer	Sectors





Brine Valves Accessories

Model RF09959

- complete with 3/8" tube length 855 mm;
- max refill flow rate 7 l/min @ 4 bar;
- max brine draw rate 2 l/min;
- max operating pressure 6 bar;
- brine well diameter 100 mm.



Ref	Description	Fam.	Subfam.		Price Euro
RF09959	FLOATING VALVE 35"	22	940		28,82

Box: WxLxH	Box: Q.ty	Box: Weight	Pallet: WxLxH	Pallet: Q.ty	Pallet: Weight

Certificates	Manufacturer	Sectors
	Runxin	Commercial, Industrial



Heads for tank

- PVC heads for tank complete with NBR o-ring;
- max operating pressure 8 bar; - max operating temperature 50°C;
- REF. PV400 and REF. PV401 are to use with upper screen REF. AV073 and with lower diffusers on catalogue;
- REF. PV402 is to use with upper screen REF. PV407 and with lower diffuser REF. CF011.

Ref	Description	Fam.	Subfam.		Price Euro
PV400	ADAPTER 2.1/2" IN/OUT 3/4" GAS F W/PLUG	50	240		77,86
PV401	ADAPTER 2.1/2" IN/OUT 3/4" GAS F	50	240		73,40
PV402	ADAPTER 4" IN/OUT 1.1/4"GAS F W/PLUG	50	240		172,56

Ref	Option plug	Rise tube diameter	Max flow rate suggested	Fit threaded tanks
PV400	½"on outlet	1,05"	2,5 m3/h	2 ½"8NPSM
PV401	no plug	1,05	2,5 m3/h	2 ½"8NPSM
PV402	½"on outlet	1 ¼"	6,0 m3/h	4"-8UN



- PP molded heads for tank with connection threaded 2 ½" - 8NPSM;
- complete with NBR o-ring; - without plug;
- max operating pressure 8 bar;
- max operating temperature 45°C; it is to use with upper screen REF. AV070 and with lower diffuser REF. AV098.

Ref	Description	Fam.	Subfam.		Price Euro
PV409	ADAPTER 2 1/2" MOULDED IN/OUT 3/4" NPT	50	240		42,10

Ref	Riser tube diameter	Max suggested flow rate
PV409	13/16"	2,5 m3/h



- ABS molded heads for tank with connection threaded 2 ½" - 8NPSM; -Complete with NBR o-ring;
- Max operating pressure 8 bar; - Max operating temperature 45°C;
- Riser tube 13/16"; - Optional adapter for 1,05" tube.

Ref	Description	Fam.	Subfam.		Price Euro
PV415	3-WAY MANUAL VALVE	50	240		14,39
PV416	PLUG 3/4" WITH O-RING FOR PV415 3-WAY MANUAL VALV	50	240		1,82
PV417	ADAPTER FOR PV415 3-WAY MANUAL VALVE	50	240		0,90



Conductivity Meter Resilight

- positive, reliable and economical method of monitoring water quality via conductivity;
- bright green/red visual output easy to read;
- Green: conductivity below the threshold value;
- Red: conductivity above the threshold value;
- set point conductivity adjustable from 1,5 to 200 microsiemens;
- probe with threaded ¾" connection, probe constant K=5;
- with reduction in PVC M/F ½" x ¾";
- complete with transformer 230/5V - 50 Hz and 1,5 m cable;
- for installation on piping at system outlet, or directly on the heads REF. PV400 and REF. PV402.
- ATTENTION: or greatest accuracy it is required that the water be flowing on probe.

Ref	Description	Fam.	Subfam.		Price Euro
PV425	MWG RESILIGHT 1.5 - 200 MICROSIEMENS/CM W/CONDUCTIVITY PROBE	50	242		123,91

Box: WxLxH	Box: Q.ty	Box: Weight	Pallet: WxLxH	Pallet: Q.ty	Pallet: Weight

Certificates	Manufacturer	Sectors
CE	MWG	Industrial



Valves Accessories

Chlorgen Chlorin Generator



- Positive, reliable and economical method of chlorine generation;
- n.1 Titanium Probe for chlorine generation, n.1 TEE 3/8" connection and n.2 Jaco straight fitting for 3/8" x 3/8" tube included;
- bright green/yellow visual output easy to read;
- Green: the system is on;
- Yellow: the system is working in disinfection;
- with time generation adjust;
- 230V - 50 Hz power supply and 1,8 m cable;
- Power 2 W;
- The Chlorin Generator can disinfect up to 140 litres of resin.

Ref	Description	Fam.	Subfam.		Price Euro
AX210	MWG CHLORGEN KIT W/PROBE AND FITTINGS	10	70		140,16

Box: WxLxH	Box: Q.ty	Box: Weight	Pallet: WxLxH	Pallet: Q.ty	Pallet: Weight

Certificates	Manufacturer	Sectors
CE	MWG	Domestic

Chlorine generator suitable for valve 255 and Performa 268 with Logix 740/760 and 742/762 controller



- Simple, reliable and cheap disinfection device;
- Delivery includes n.1 electrode and n.1 connection cable;
- Logix 740/760 and 742/762 controllers provide to make a low chlorine level in order to sanitize resin bed during regeneration;
- Logix controller has a light check salt that indicates to end user when salt has to be added into brine tank;
- Potassium chloride or sodium chloride can be used.

Ref	Description	Fam.	Subfam.		Price Euro
AX040	KIT CHLORINE GENERATOR 255/268 LOGIX	10	70		115,87

Box: WxLxH	Box: Q.ty	Box: Weight	Pallet: WxLxH	Pallet: Q.ty	Pallet: Weight

Certificates	Manufacturer	Sectors
CE	Pentair	Domestic



Valves Accessories

Test kit for hardness



- Kit for hardness testing with indicator and titrant complete with test tube;
- definition 0,5 °F;
- number of tests 400°F;
- available No 6 blister of indicator 15 ml (REF. AV203) and No 6 blister of titrant 25 ml (REF. AV204).

Codici	Description	Fam.	Subfam.		Price Euro
AV200	HARDNESS KIT TESTING INDICATOR + TITRANT	10	66		23,44
AV203	6 BLISTERS PACK INDICATOR 15 ML	10	66		50,51
AV204	6 BLISTERS PACK TITRANT 15 ML	10	66		44,03
AV200P	MULTIPACK 10 PCS - 20 ML GRADUATE TEST TUBE	10	66		28,44

Box: WxLxH	Box: Q.ty	Box: Weight	Pallet: WxLxH	Pallet: Q.ty	Pallet: Weight

Certificates	Manufacturer	Sectors
		Domestic



- Kit for hardness testing with single reagent packaged in blister, with test tube;
- available for definition with French (REF. AV202) or German (REF. AV207) degrees.

Ref	Description	Fam.	Subfam.		Price Euro
AV202	HARDNESS KIT TESTING SINGLE REAGENT 2 BLISTER	10	66		14,33
AV207	HARDNESS KIT TESTING SINGLE REAGENT 2 BLISTER GERMAN	10	66		14,33

Ref	Description	Definition	Number of tests
AV202	HARDNESS KIT TESTING SINGLE REAGENT 2 BLISTER	1°F	700
AV207	HARDNESS KIT TESTING SINGLE REAGENT 2 BLISTER GERMAN	1°D	600

Box: WxLxH	Box: Q.ty	Box: Weight	Pallet: WxLxH	Pallet: Q.ty	Pallet: Weight

Certificates	Manufacturer	Sectors
		Domestic



- Kit for hardness testing with single reagent packaged in blister, with test tube;
- available for definition with French (REF. AV201) or German (REF. AV206) degrees.

Ref	Description	Fam.	Subfam.		Price Euro
AV201	HARDNESS KIT TESTING SINGLE REAGENT 1 BLISTER	10	66		9,51
AV206	HARDNESS KIT TESTING SINGLE REAGENT 1 BLISTER GERMAN	10	66		9,51

Ref	Description	Definition	Number of tests
AV201	HARDNESS KIT TESTING SINGLE REAGENT 1 BLISTER	1°F	350
AV206	HARDNESS KIT TESTING SINGLE REAGENT 1 BLISTER GERMAN	1°D	300

Box: WxLxH	Box: Q.ty	Box: Weight	Pallet: WxLxH	Pallet: Q.ty	Pallet: Weight

Certificates	Manufacturer	Sectors
		Domestic



Valves Accessories

Total chlorine kit

- Color comparison kit for Chlorine reaction;
- Ideal for water with low content of organics, like drink water.



Ref	Description	Fam.	Subfam.		Price Euro
AV205	CHLORINE TESTING KIT O-TOL 0,1-1,5 PPM P/N 1011	10	66		22,40

Ref	Range (ppm Cl ₂)	Test quantity
AV205	0,10-0,25-0,50-0,75-1,0-2,0	75

Box: WxLxH	Box: Q.ty	Box: Weight	Pallet: WxLxH	Pallet: Q.ty	Pallet: Weight

Chlorine DPD kit

- Color comparison kit for Chlorine reaction;
- This kit measures the free chlorine and the total chlorine. The difference is given by the combined chlorine (for water with high total organic carbon);
- IPT kits are ideal for few analyzes with discrete precision.



Ref	Description	Fam.	Subfam.		Price Euro
AV208	IPT DPD CHLORINE KIT	10	66		31,54

Ref	Sample	Range (ppm Cl ₂)	Test quantity
AV208	5 ml	0,1-0,2-0,3-0,4-0,5-0,75-1,0-1,5	150

Box: WxLxH	Box: Q.ty	Box: Weight	Pallet: WxLxH	Pallet: Q.ty	Pallet: Weight



Valves Accessories

Iron kit

- Color comparison kit for Iron reaction;
- IPT kits are ideal for few analyzes with discrete precision. For higher precision, we suggest the HYDROCHECK HIGH.



Ref	Description	Fam.	Subfam.		Price Euro
AV210	IPT IRON KIT	10	66		50,12

Ref	Sample	Range (ppm Fe)	Test quantity
AV210	5 ml	0,25-0,50-1,0-2,0-5,0-7,5-10-15	100
AV210	20 ml	0,05-0,10-0,15-0,20	100

Box: WxLxH	Box: Q.ty	Box: Weight	Pallet: WxLxH	Pallet: Q.ty	Pallet: Weight

Certificates	Manufacturer	Sectors
		Domestic



Ph kit

- Color comparison kit for pH;
- IPT kits are ideal for few analyzes with discrete precision. For higher precision, we suggest pH meters.

Ref	Description	Fam.	Subfam.		Price Euro
AV213	IPT PH 1-11 KIT	10	66		21,61

Ref	Range (pH)	Test quantity
AV213	1-2-3-4-5-5,5-6-6,5-7-7,5-8-8,5-9-9,5-10-11	200

Box: WxLxH	Box: Q.ty	Box: Weight	Pallet: WxLxH	Pallet: Q.ty	Pallet: Weight

Certificates	Manufacturer	Sectors
		Domestic



Sulphate kit

- Color comparison kit for Sulphate by turbidimetric method.

Ref	Description	Fam.	Subfam.		Price Euro
AV214	IPT SULPHATE KIT	10	66		48,97

Ref	Range (p pm SO4)	Test quantity
AV214	50-75-100-150-200-250-300-350	70

Box: WxLxH	Box: Q.ty	Box: Weight	Pallet: WxLxH	Pallet: Q.ty	Pallet: Weight

Certificates	Manufacturer	Sectors
		Domestic



F65 Runxin Residential Down Flow Valves



- Electronic programmable valve, suitable for automatic and residential water softening systems;
- Valve body in NSF listed Noryl plastic material;
- Operating system based on two high design ceramic discs;
- Regeneration DF;
- Operating flow rate $K_v = 1,08$;
- Backwash flow rate $K_v = 0,50$;
- Resin volume range = $5 \div 40$ liters;
- Available in chronometric or volumetric versions;
- With White Injector mounted (Pink, Yellow and Blue Injectors included), European transformer 12/230V - 50Hz, upper screen, n.1 Base Seal O-ring, n.1 Drain Hose Connector, n.1 Brine Tube Hose Connector, n.1 Tube Bushing and n.1 Brine Line Flow Control);
- Others injectors (6800 Series)and accessories not included, to order separately;
- If you use a by-pass, you must install a floating valve (our ref. RF09959).

Ref	Description	Fam.	Subfam.		Price Euro
RF65B1	VALV. AUT. SOFT. F65B1 (63502) CHRON. 3/4" DF	22	930		187,14

Characteristics:	
Tank size	6" ÷ 10"
Connections In/Out	Threaded 3/4" female (male optional included)
Pressure vessel connection	Threaded 2 1/2" - 8 NPSM male
Drain line connection	Threaded 1/2" male
Brine line connection	Threaded 3/8" BSPT male
Distributor tube O. D. diameter	1,05" (= 27 mm)
Distributor tube length above pressure vessel	0 ± 2 mm
Weight (valve + controller)	1,66 kg
Operating pressure	1,5 ÷ 6,0 bar
Water Temperature	5°C ÷ 50°C

Box: WxLxH	Box: Q.ty	Box: Weight	Pallet: WxLxH	Pallet: Q.ty	Pallet: Weight

Certificates	Manufacturer	Sectors
DM174-2004 CE	Runxin	Domestic

Specific Accessories

Ref	Description	Fam.	Subfam.		Price Euro
RF70B	BYPASS FOR F65 AND F69 VALVES - 41102	22	940		30,66
RF70BL	BYPASS WITH TURBINE FOR F65 AND F69 VALVES - 41102L	22	940		40,26
RF09959	FLOATING VALVE 35"	22	940		28,82

Spare Parts

Ref	Description	Fam.	Subfam.		Price Euro
RF09967	EUROPEAN POWER ADAPTER FOR RUNXIN RES. VALVE	22	940		22,59
RFP9999	RUNXIN UPPER SCREEN 1.05" BAJONET	22	940		2,80



F79B-LCD Runxin Residential Volumetric Valve



- Electronic volumetric programmable valve multilanguage, suitable for automatic and residential water softening systems;
- Valve body in NSF listed Noryl plastic material;
- Operating system based on two high design ceramic discs;
- Regeneration DF or UF;
- Operating flow rate $K_v = 1,14$; Backwash flow rate $K_v = 0,5$;
- Resin volume range = 5 ÷ 40 liters;
- With Pink Injector mounted (Yellow, Blue and White Injectors included), European transformer 12/230V - 50Hz, upper screen, n.1 Base Seal O-ring, n.1 Drain Hose Connector, n.1 Brine Tube Hose Connector,
- n.1 Tube Bushing and n.1 red Brine Line Flow Control), Meter and Bypass Adjusting Bolt;
- Others injectors (6800 Series) and accessories not included, to order separately.

Ref	Description	Fam.	Subfam.		Price Euro
RF79B-LCD	VALV. AUT. SOFT. F79B-LCD (82602B) VOL. 3/4" DF/U	22	935		290,18

Characteristics:	
Tank size	6" ÷ 10"
Connections In/Out	Threaded 3/4" male
Pressure vessel connection	Threaded 2 1/2" - 8 NPSM male
Drain line connection	Threaded 1/2" male
Brine line connection	Threaded 3/8" BSPT male
Distributor tube O. D. diameter	1,05" (= 27 mm)
Distributor tube length above pressure vessel	0 ± 2 mm
Weight (valve + controller)	2,25 kg
Operating pressure	1,5 ÷ 6,0 bar
Water Temperature	5°C ÷ 50°C

Box: WxLxH	Box: Q.ty	Box: Weight	Pallet: WxLxH	Pallet: Q.ty	Pallet: Weight
51x63x24	4	11	105x130x255	144	41,5

Certificates	Manufacturer	Sectors
DM174-2004 CE	Runxin	Domestic

Specific accessories

Ref	Description	Fam.	Subfam.		Price Euro
RF70D	BYPASS FOR F79 VALVE - 41202	22	940		30,66

Spare parts

Ref	Description	Fam.	Subfam.		Price Euro
RF09962	O-R CONNECTOR 3/4" FOR FLOW METER FOR RF79B-LCD VALVE	22	940		1,15
RF09963	CONNECTOR 3/4" FLOW METER FOR RF79B-LCD VALVE W/OO-RING - 8458026	22	940		16,86
RF09964	ELECTRONIC CONTROL BOARD FOR RF79B-LCD VALVE	22	940		53,76
RF09965	ELECTRONIC POSITIONING BOARD FOR RF79B-LCD VALVE	22	940		32,08
RF09966	ELECTRONIC BOARD FOR DISPLAY RF79B-LCD VALVE	22	940		113,73
RF09967	EUROPEAN POWER ADAPTER FOR RUNXIN RES. VALVE	22	940		22,59
RF09968	TURBINE FLOW METER FOR RF79B-LCD	22	940		18,61
RF09969	SEMI-TRANSPARENT COVER FOR RF79B-LCD VALVE	22	940		8,57
RF09970	PIPE CONNECTION 3/4" FOR RF79B-LCD VALVE	22	940		28,75
RFP9999	RUNXIN UPPER SCREEN 1.05" BAJONET	22	940		2,80



F69 Runxin Residential Up Flow Softening Valves



- Electronic programmable valve, suitable for residential water softening systems;
- Valve body in NSF listed Noryl plastic material;
- Operating system based on two high design ceramic discs;
- Regeneration UF;
- Operating flow rate Kv = 1,08;
- Backwash flow rate Kv = 0,5;
- Resin volume range = 5 ÷ 40 liters;
- Available in chronometric or volumetric versions;
- F69C Valve is with Brown Injector mounted;
- F69P Valves are with Pink Injector mounted (Yellow, Blue and White Injectors included);
- European transformer 12/230V - 50Hz, upper screen, n.1 Base
- Seal O-ring, n.1 Drain Hose Connector, n.1 Brine Tube Hose
- Connector, n.1 Tube Bushing and n.1 Brine Line Flow Control);
- Others injectors (6800 Series) and accessories not included, to order separately.

Ref	Description	Fam.	Subfam.		Price Euro
RF69C	VALV. SEMIAUT. SOFT. F69C (70002) CHRON. 3/4" UF	22	935		129,52
RF69P1Y	VALV. AUT. SOFT. F69P1Y (73502PY) CHRON. 3/4" UF	22	930		144,09
RF69P3Y	VALV. AUT. SOFT. F69P3Y (74602PY) VOL. 3/4" UF	22	935		174,23

Characteristics:	
Tank size	6" ÷ 10"
Connections In/Out	Threaded 3/4" female (male optional included)
Pressure vessel connection	Threaded 2 1/2" - 8 NPSM male
Drain line connection	Threaded 1/2" male
Brine line connection	Threaded 3/8" BSPT male
Distributor tube O. D. diameter	1,05" (= 27 mm)
Distributor tube length above pressure vessel	0 ± 2 mm
Weight (valve + controller)	2,04 kg
Operating pressure	1,5 ÷ 6,0 bar
Water Temperature	5°C ÷ 50°C

Box: WxLxH	Box: Q.ty	Box: Weight	Pallet: WxLxH	Pallet: Q.ty	Pallet: Weight

Certificates	Manufacturer	Sectors
DM174-2004 CE	Runxin	Domestic

Specific accessories

Ref	Description	Fam.	Subfam.		Price Euro
RF70B	BYPASS FOR F65 AND F69 VALVES - 41102	22	940		30,66
RF70BL	BYPASS WITH TURBINE FOR F65 AND F69 VALVES - 41102L	22	940		40,26
RF09960	USB PROGRAMMER FOR RF69C VALVES	22	940		72,35

Spare parts

Ref	Description	Fam.	Subfam.		Price Euro
RF09967	EUROPEAN POWER ADAPTER FOR RUNXIN RES. VALVE	22	940		22,59
RF99999	RUNXIN UPPER SCREEN 1.05" BAJONET	22	940		2,80



F73A Runxin Residential Up Flow Softening Valves on a Duplex Tanks



- Electronic volumetric programmable valve, suitable for automatic and residential water softening systems;
- Valve body in NSF listed Noryl plastic material;
- Operating system based on two high design ceramic discs;
- Regeneration DF or UF;
- Operating flow rate Kv = 2,33;
- Backwash flow rate Kv = 0,88;
- Resin volume range = 45 ÷ 100 liters;
- With Red Injector mounted (Black Injector included), European transformer 12/230V -50Hz, n.2 upper screen, n.1 Base Seal O-ring, n.1 Drain Hose Connector, n.1 Brine Tube Hose Connector, n.1 Tube Bushing, n.1 Brine Line Flow Control, Meter and Bypass Adjusting Bolt;
- Others injectors (**6300 Series**) and accessories not included, to order separately.

Ref	Description	Fam.	Subfam.		Price Euro
RF73A	VALV. AUT. SOFT. F73A (17603) VOL. 1" DF/UF - ONEON DUPLEX TANKS	22	935		679,03

Characteristics:	
Tank size	10" ÷ 14"
Connections In/Out	Threaded 1" male
Pressure vessel connection	Threaded 2 ½" - 8 NPSM male
Drain line connection	Threaded ¾" male
Brine line connection	Threaded ¾" BSPT male
Distributor tube O. D. diameter	1,05" (= 27 mm)
Distributor tube length above pressure vessel	0 ± 2 mm
Weight (valve + controller)	4,75 kg
Operating pressure	1,5 ÷ 6,0 bar
Water Temperature	5°C ÷ 50°C

Box: WxLxH	Box: Q.ty	Box: Weight	Pallet: WxLxH	Pallet: Q.ty	Pallet: Weight

Certificates	Manufacturer	Sectors
DM174-2004 CE	Runxin	Domestic

Specific accessories

Ref	Description	Fam.	Subfam.		Price Euro
RF70CL	BYPASS WITH TURBINE FOR F63 F68 F73 F82 VALVES -2974015	22	940		32,09

Spare parts

Ref	Description	Fam.	Subfam.		Price Euro
RF09967	EUROPEAN POWER ADAPTER FOR RUNXIN RES. VALVE	22	940		22,59
RFP9999	RUNXIN UPPER SCREEN 1.05" BAJONET	22	940		2,80



F63 Runxin Residential Down Flow Softening Valves



- Electronic programmable valve, suitable for automatic and residential water softening systems;
- Valve body in NSF listed Noryl plastic material;
- Operating system based on two high design ceramic discs;
- Regeneration DF; Resin volume range = 40 ÷ 150 liters;
- Operating flow rate Kv = 3,13; Backwash flow rate Kv = 1,25;
- Available in chronometric or volumetric versions;
- With Green Injector mounted (Purple and White Injectors included), European transformer 12/230V - 50Hz, upper screen, n.1 Base Seal O-ring, n.1 Drain Hose Connector, n.1 Brine Tube Hose Connector, n.1 Tube Bushing and n.1 Brine Line Flow Control);
- Others injectors (6800 Series) and accessories not included, to order separately.

Ref	Description	Fam.	Subfam.		Price Euro
RF63C3	VALV. AUT. SOFT.F63C3 (63604) VOL. 1" DF	22	935		312,99
RF63D3	VALV. AUT. SOFT. F63D3 (62604H) VOL. 1" DF	22	935		331,03

Characteristics	
Tank size	10" ÷ 18"
Connections In/Out	Threaded 1" female (male optional included)
Pressure vessel connection	Threaded 2 ½" - 8 NPSM male
Drain line connection	Threaded ½" male
Brine line connection	Threaded ¾" BSPT male
Distributor tube O. D. diameter	1,05" (= 27 mm)
Distributor tube length above pressure vessel	0 ± 2 mm
Weight (valve + controller)	2,34 kg
Operating pressure	1,5 ÷ 6,0 bar
Water Temperature	5°C ÷ 50°C

Box: WxLxH	Box: Q.ty	Box: Weight	Pallet: WxLxH	Pallet: Q.ty	Pallet: Weight

Certificates	Manufacturer	Sectors
DM174-2004 CE	Runxin	Domestic

Specific Accessories

Ref.	Description	Fam.	Subfam.		Price Euro
RF70A	BYPASS FOR F63 AND F68 VALVES - 2974001	22	940		37,33
RF70AL	BYPASS WITH TURBINE FOR F63 AND F68 VALVES - 2974013	22	940		49,43

Spare Parts

Ref.	Description	Fam.	Subfam.		Price Euro
RF09967	EUROPEAN POWER ADAPTER FOR RUNXIN RES. VALVE	22	940		22,59
RFP9999	RUNXIN UPPER SCREEN 1.05" BAJONET	22	940		2,80



F82B-LCD Runxin Residential Volumetric Valves



- Electronic volumetric programmable valve multilanguage, suitable for automatic and residential water softening systems;
- Valve body in NSF listed Noryl plastic material;
- Operating system based on two high design ceramic discs;
- Regeneration DF or UF;
- Operating flow rate $K_v = 3,13$;
- Backwash flow rate $K_v = 1,25$;
- Resin volume range = $40 \div 150$ liters;
- With White Injector mounted (Red, Black and Orange Injectors included), European transformer 12/230V - 50Hz, upper screen, n.1 Base Seal O-ring, n.1 Drain Hose Connector, n.1 Brine Tube Hose Connector, n.1 Tube Bushing and n.1 Brine Line Flow Control), Meter and Bypass Adjusting Bolt;
- Others injectors (6800 Series) and accessories not included, to order separately

Ref	Description	Fam.	Subfam.		Price Euro
RF82B-LCD	VALV. AUT. SOFT. F82B-LCD (82604B) VOL. 1" DF/UF	22	935		340,15

Characteristics:	
Tank size	10" ÷ 18"
Connections In/Out	Threaded 1" male
Pressure vessel connection	Threaded 2 1/2" - 8 NPSM male
Drain line connection	Threaded 1/2" male
Brine line connection	Threaded 3/8" BSPT male
Distributor tube O. D. diameter	1,05" (= 27 mm)
Distributor tube length above pressure vessel	0 ± 2 mm
Weight (valve + controller)	2,72 kg
Operating pressure	1,5 ÷ 6,0 bar
Water Temperature	5°C ÷ 50°C

Box: WxLxH	Box: Q.ty	Box: Weight	Pallet: WxLxH	Pallet: Q.ty	Pallet: Weight

Certificates	Manufacturer	Sectors
DM174-2004 CE	Runxin	Domestic

Accessories

Ref.	Description	Fam.	Subfam.		Price Euro
RF70CL	BYPASS WITH TURBINE FOR F63 F68 F73 F82 VALVES -2974015	22	940		32,09

Spare parts

Ref	Description	Fam.	Subfam.		Price Euro
RF09967	EUROPEAN POWER ADAPTER FOR RUNXIN RES. VALVE	22	940		22,59
RF99999	RUNXIN UPPER SCREEN 1.05" BAJONET	22	940		2,80



F68 Runxin Residential Up Flow Valves



- Electronic programmable valve, suitable for automatic and residential water softening systems;
- Valve body in NSF listed Noryl plastic material;
- Operating system based on two high design ceramic discs;
- Regeneration UF;
- Operating flow rate $K_v = 3,13$;
- Backwash flow rate $K_v = 1,25$;
- Resin volume range = $18 \div 150$ liters;
- Available in volumetric version;
- With Yellow Injector mounted (Red, Black and Orange Injectors included), European transformer 12/230V - 50Hz, upper screen, n.1 Base Seal O-ring, n.1 Drain Hose Connector, n.1 Brine Tube Hose Connector, n.1 Tube Bushing and n.1 Brine Line Flow Control);
- Others injectors (Series 6800) and accessories not included, to order separately.

Ref	Description	Fam.	Subfam.		Price Euro
RF68C3	VALV. AUT. SOFT. F68C3 (73604) VOL. 1" UF	22	935		304,31
RF68P3Y	VALV. AUT. SOFT. F68P3Y VOL. 1" UF	22	935		215,75

Characteristics	
Tank size	10" ÷ 18"
Connections In/Out	Threaded 1" male
Pressure vessel connection	Threaded 2 1/2" - 8 NPSM male
Drain line connection	Threaded 1/2" male
Brine line connection	Threaded 3/8" BSPT male
Distributor tube O. D. diameter	1,05" (= 27 mm)
Distributor tube length above pressure vessel	0 ± 2 mm
Weight (valve + controller)	2,90 kg
Operating pressure	1,5 ÷ 6,0 bar
Water Temperature	5°C ÷ 50°C

Box: WxLxH	Box: Q.ty	Box: Weight	Pallet: WxLxH	Pallet: Q.ty	Pallet: Weight

Certificates	Manufacturer	Sectors
DM174-2004 CE	Runxin	Domestic

Specific Accessories

Ref	Description	Fam.	Subfam.		Price Euro
RF70AL	BYPASS WITH TURBINE FOR F63 AND F68 VALVES - 2974013	22	940		49,43
RF70CL	BYPASS WITH TURBINE FOR F63 F68 F73 F82 VALVES -2974015	22	940		32,09

Spare Parts

Ref	Description	Fam.	Subfam.		Price Euro
RF09967	EUROPEAN POWER ADAPTER FOR RUNXIN RES. VALVE	22	940		22,59
RFP9999	RUNXIN UPPER SCREEN 1.05" BAJONET	22	940		2,80



F92A-LED Runxin Residential Up Flow Valve



- Electronic programmable valve, suitable for automatic and residential water softening systems;
- Valve body in NSF listed Noryl plastic material;
- Operating system based on two high design ceramic discs;
- Regeneration UF;
- Operating flow rate Kv = 4,77;
- Backwash flow rate Kv = 1,35;
- Resin volume range = 120 ÷ 300 liters;
- Available in volumetric version;
- With Red Injector mounted (Purple, Green, Yellow and Orange Injectors included), European transformer 12/230V - 50Hz, upper screen, n.1 Base Seal O-ring, n.1 Drain Hose Connector, n.1 Brine Tube Hose Connector, n.1 Tube Bushing and n.1 Brine Line Flow Control).

Ref	Description	Fam.	Subfam.		Price Euro
RF92A-LED	VALV. AUT. SOFT. F92A-LED (73605) VOL. 1" UF	22	935		368,67

Characteristics	
Tank size	16" ÷ 24"
Connections In/Out	Threaded 1" male
Pressure vessel connection	Threaded 2 1/2" - 8 UN male
Drain line connection	Threaded 1/2" male
Brine line connection	Threaded 3/8" BSPT male
Distributor tube O. D. diameter	32 mm
Distributor tube length above pressure vessel	0 ± 2 mm
Weight (valve + controller)	2,72 kg
Operating pressure	1,5 ÷ 6,0 bar
Water Temperature	5°C ÷ 50°C

Box: WxLxH	Box: Q.ty	Box: Weight	Pallet: WxLxH	Pallet: Q.ty	Pallet: Weight
	4				

Certificates	Manufacturer	Sectors
DM174-2004 CE	Runxin	Domestic

Spare parts

Codici	Description	Fam.	Subfam.		Price Euro
RF09967	EUROPEAN POWER ADAPTER FOR RUNXIN RES. VALVE	22	940		22,59
RF09949	UPPER SCREEN 32 MM FOR RUNXIN VALVES - 6939003	22	940		3,33



F67 Runxin Valves for Filtration



- Electronic volumetric programmable valve, suitable for automatic and residential water softening systems;
- Valve body in NSF listed Noryl plastic material;
- Operating system based on two high design ceramic discs;
- Operating flow rate Kv = 3,19; Backwash flow rate Kv = 3,1;
- With european transformer 12/230V - 50Hz, upper screen, n.1 Base Seal O-ring, n.1 Drain Hose Connector.

Ref	Description	Fam.	Subfam.		Price Euro
RF67C1	VALV. AUT. FILTER F67C1 (53504) 1"	22	938		266,74

Characteristics:	
Tank size	6" ÷ 14"
Connections In/Out	Threaded 1" female
Pressure vessel connection	Threaded 2 ½" - 8 NPSM male
Drain line connection	Threaded 1" female
Distributor tube O. D. diameter	50 mm
Distributor tube length above pressure vessel	0 ± 2 mm
Weight (valve + controller)	2,25 kg
Operating pressure	1,5 ÷ 6,0 bar
Water Temperature	5°C ÷ 50°C

Box: WxLxH	Box: Q.ty	Box: Weight	Pallet: WxLxH	Pallet: Q.ty	Pallet: Weight
	4				

Certificates	Manufacturer	Sectors
DM174-2004 CE	Runxin	Domestic



Runxin Residential Valves Accessories

- Injectors and Accessories not included in the Runxin Residential Valves, to order separately.

Specific accessories

Ref	Description	Fam.	Subfam.		Price Euro
RF06801	INJECTOR KIT BROWN FOR RUNXIN VALVES - 6801	22	940		2,25
RF06802	INJECTOR KIT PINK FOR RUNXIN VALVES - 6802	22	940		2,25
RF06803	INJECTOR KIT YELLOW FOR RUNXIN VALVES - 6803	22	940		2,50
RF06804	INJECTOR KIT BLUE FOR RUNXIN VALVES - 6804	22	940		2,50
RF06805	INJECTOR KIT WHITE FOR RUNXIN VALVES - 6805	22	940		2,25
RF06806	INJECTOR KIT BLACK FOR RUNXIN VALVES - 6806	22	940		2,25
RF06807	INJECTOR KIT PURPLE FOR RUNXIN VALVES - 6807	22	940		2,25
RF06808	INJECTOR KIT RED FOR RUNXIN VALVES - 6808	22	940		2,50
RF06809	INJECTOR KIT GREEN FOR RUNXIN VALVES - 6809	22	940		2,50
RF06810	INJECTOR KIT ORANGE FOR RUNXIN VALVES - 6810	22	940		2,50
RF09995	SERVICE WRENCH FOR RUNXIN VALVES - 8484003	22	940		8,73
RF47010	RUNXIN CHLORINATOR FOR VALVE F79, F82 AND FOR VALVES D SERIES	22	940		77,10
RF09998	SPACER 2.5" M/F W/ O-RING AND WRENCH	22	940		12,38
RF09997	SPANNER FOR SPACER RF09998	22	940		11,88
RF09971	ENGLISH POWER ADAPTER FOR RF79B-LCD VALVE	22	940		25,10
RF43010	BRINE WELL DIAM. 60 MM H 396 MM W/FLOATING VALVE	45	230		49,45
RF43011	BRINE WELL DIAM. 60 MM H 308 MM W/FLOATING VALVE	45	230		47,27
RF09922	INTERLOCK WIRE FOR RUNXIN VALVES F63(68)C - F63(65-68)P	22	940		5,08
RFP07	434 STANDARD BRINE VALVE	22	940		54,18
RFP08	454 STANDARD BRINE VALVE	22	940		191,92



F74 Runxin Industrial Down Flow Valve



- Electronic programmable valve, suitable for automatic and industrial water softening systems;
- Valve body in NSF listed Noryl plastic material;
- Operating system based on two high design ceramic discs;
- Regeneration DF;
- Operating flow rate Kv = 6,50;
- Backwash flow rate Kv = 3,57;
- Resin volume range = 120 ÷ 450 liters;
- With Pink Injector mounted (Brown and Blue Injectors included), European transformer 12/230V - 50Hz, upper screen,
- n.1 Base Seal O-ring,
- n.1 Drain Hose Connector,
- n.1 Brine Tube Hose Connector,
- n.1 Tube Bushing and n.1 Brine Line Flow Control);
- Others injectors (series 7400) and accessories not included, to order separately.

Ref	Description	Fam.	Subfam.		Price Euro
RF74A3	VALV. AUT. SOFT. F74A3 (63610) VOL. 2" DF	27	965		706,29

Characteristics	
Tank size	21" ÷ 30"
Connections In/Out	Threaded 2" male
Pressure vessel connection	Threaded 4" - 8 UN male
Drain line connection	Threaded 1" male
Brine line connection	Threaded ½" BSPT male
Distributor tube O. D. diameter	50 mm
Distributor tube length above pressure vessel	0 ± 2 mm
Weight (valve + controller)	5,88 kg
Operating pressure	2,0 ÷ 6,0 bar
Water Temperature	5°C ÷ 50°C

Box: WxLxH	Box: Q.ty	Box: Weight	Pallet: WxLxH	Pallet: Q.ty	Pallet: Weight
	2				

Certificates	Manufacturer	Sectors
DM174-2004 CE	Runxin	Industrial

Spare parts

Ref	Description	Fam.	Subfam.		Price Euro
RF09974	EUROPEAN POWER ADAPTER FOR RUNXIN IND.VALVES	27	970		38,27
RF09950	UPPER SCREEN 50 MM FOR RUNXIN VALVES	27	970		30,46



F99 Runxin Industrial Down Flow Valves



- Electronic programmable valve, suitable for automatic and industrial water softening systems;
- Valve body in NSF listed Noryl plastic material;
- Operating system based on two high design ceramic discs;
- Regeneration DF;
- Operating flow rate Kv = 14,4;
- Backwash flow rate Kv = 5,72;
- Resin volume range = 450 ÷ 800 liters;
- With Yellow Injector mounted (Pink Injectors included), European transformer 12/230V - 50Hz, upper screen,
- n.1 Base Seal O-ring,
- n.1 Drain Hose Connector,
- n.1 Brine Tube Hose Connector,
- n.1 Tube Bushing and n.1 Brine Line Flow Control);
- Others injectors (7700 Series) and accessories not included, to order separately.

Ref	Description	Fam.	Subfam.		Price Euro
RF99A3	VALV. AUT. SOFT. F99A3 (63615) VOL. 2" DF	27	965		932,19

Characteristics	
Tank size	30" ÷ 42"
Connections In/Out	Threaded 2" male
Pressure vessel connection	Threaded 4" - 8 UN male
Drain line connection	Threaded 1,5" male
Brine line connection	Threaded ¾" BSPT male
Distributor tube O. D. diameter	50 mm
Distributor tube length above pressure vessel	0 ± 2 mm
Weight (valve + controller)	11,50 kg
Operating pressure	2,0 ÷ 6,0 bar
Water Temperature	5°C ÷ 50°C

Box: WxLxH	Box: Q.ty	Box: Weight	Pallet: WxLxH	Pallet: Q.ty	Pallet: Weight
	1				

Certificates	Manufacturer	Sectors
DM174-2004 CE	Runxin	Industrial

Spare parts

Ref	Description	Fam.	Subfam.		Price Euro
RF09974	EUROPEAN POWER ADAPTER FOR RUNXIN IND.VALVES	27	970		38,27
RF09950	UPPER SCREEN 50 MM FOR RUNXIN VALVES	27	970		30,46



F111 Runxin Industrial Down Flow Valves



- Electronic programmable valve, suitable for automatic and industrial water softening systems;
- Valve body in NSF listed Noryl plastic material;
- Operating system based on two high design ceramic discs;
- Regeneration DF;
- Operating flow rate Kv = 16,71;
- Backwash flow rate Kv = 18,97;
- Resin volume range = 450 ÷ 800 liters;
- Available in chronometric versions;
- With Blue Injector mounted (Yellow and White Injectors included), European transformer 12/230V - 50Hz, upper screen, n.1 Base Seal O-ring, n.1 Drain Hose Connector, n.1 Brine Tube Hose Connector, n.1 Tube Bushing and n.1 Brine Line Flow Control);
- Others injectors (7700 Series) and accessories not included, to order separately.

Ref	Description	Fam.	Subfam.		Price Euro
RF111A1	VALV. AUT. SOFT. F111A1 (63520) CHRON. 2" DF	27	960		1651,77

Characteristics	
Tank size	30" ÷ 48"
Connections In/Out	Threaded 2" male
Pressure vessel connection	Threaded 4" - 8 UN male
Drain line connection	Threaded 1,5" male
Brine line connection	Threaded 3/4" BSPT male
Distributor tube O. D. diameter	63 mm
Distributor tube length above pressure vessel	0 ± 2 mm
Weight (valve + controller)	11,50 kg
Operating pressure	2,0 ÷ 6,0 bar
Water Temperature	5°C ÷ 50°C

Box: WxLxH	Box: Q.ty	Box: Weight	Pallet: WxLxH	Pallet: Q.ty	Pallet: Weight

Certificates	Manufacturer	Sectors
DM174-2004 CE	Runxin	Industrial

Spare parts

Ref	Description	Fam.	Subfam.		Price Euro
RF09974	EUROPEAN POWER ADAPTER FOR RUNXIN IND.VALVES	27	970		38,27
RF09951	UPPER SCREEN 63 MM FOR RUNXIN VALVES	27	970		40,91

- **Specific accessories** - Injectors and Accessories not included in the Runxin Industrial Valves, to order separately.

Ref.	Description	Fam.	Subfam.		Price Euro
RF07401	INJECTOR BROWN + DLFC FOR RUNXIN VALVES - 7401	27	970		9,54
RF07402	INJECTOR PINK + DLFC FOR RUNXIN VALVES - 7402	27	970		9,54
RF07403	INJECTOR YELLOW + DLFC FOR RUNXIN VALVES - 7403	27	970		9,54
RF07404	INJECTOR BLUE + DLFC FOR RUNXIN VALVES - 7404	27	970		9,54
RF07701	INJECTOR BROWN FOR RUNXIN VALVES - 7701	27	970		55,84
RF07702	INJECTOR PINK FOR RUNXIN VALVES - 7702	27	970		55,84
RF07703	INJECTOR YELLOW FOR RUNXIN VALVES - 7703	27	970		55,84
RF07704	INJECTOR BLUE FOR RUNXIN VALVES - 7704	27	970		55,84
RF07705	INJECTOR WHITE FOR RUNXIN VALVES - 7705	27	970		55,84
RF09995	SERVICE WRENCH FOR RUNXIN VALVES - 8484003	22	940		8,73



F75 Runxin Industrial Filter Valve



- Electronic valve, suitable for automatic and industrial water filtering systems;
- Valve body in NSF listed Noryl plastic material;
- Operating system based on two high design ceramic discs;
- Operating flow rate $K_v = 8,7$;
- Backwash flow rate $K_v = 8,0$;
- With European transformer 12/230V - 50Hz, upper screen,
- n.1 Base Seal O-ring, n.1 Drain Hose Connector.



Ref	Description	Fam.	Subfam.		Price Euro
RF75A	VALV. AUT. FILTER F75A 2"	27	968		682,77



Characteristics	
Tank size	16" ÷ 24"
Connections In/Out	Threaded 2" male
Pressure vessel connection	Threaded 4" - 8 UN male
Drain line connection	Threaded 2" male
Distributor tube O. D. diameter	50 mm
Distributor tube length above pressure vessel	0 ± 2 mm
Weight (valve + controller)	4,4 kg
Operating pressure	2,0 ÷ 6,0 bar
Water Temperature	5°C ÷ 50°C



Box: WxLxH	Box: Q.ty	Box: Weight	Pallet: WxLxH	Pallet: Q.ty	Pallet: Weight

Certificates	Manufacturer	Sectors
DM174-2004 CE	Runxin	Industrial

Spare parts

Ref	Description	Fam.	Subfam.		Price Euro
RF09974	EUROPEAN POWER ADAPTER FOR RUNXIN IND.VALVES	27	970		38,27
RF09950	UPPER SCREEN 50 MM FOR RUNXIN VALVES	27	970		30,46



Runxin Manual Softening Valves



- Multi-way valves having five functions: service, backwash, brine, fast rinse and refill;
- IN/OUT connections 3/4" BSPP female;
- Drain line connection 1/2" BSPP female;
- Brine line connection 3/8" BSPT male;
- Riser tube diameter 1,05" (26,7 mm);
- Max suggested flow 1,5 m3/h (only valve) @ $\Delta p = 1,75$ bar;
- Operating flow rate $K_v = 1,09$;
- Backwash flow rate $K_v = 0,55$;
- Max operating pressure 6 bar @ 20°C;
- Max operating temperature 50°C;
- Upper screen included.

Ref	Description	Fam.	Subfam.		Price Euro
RF64B	VALV. MANUAL SOFT. F64B (61202) 3/4" DF	22	950		35,30
RF64BC	VALV. MANUAL SOFT. F64BC (61202C) 3/4" DF - SIDECONTROL	22	950		33,16

Ref	Description	Mounting
RF64B	VALV. MANUAL SOFT. F64B (61202) 3/4" DF	Vertical
RF64BC	VALV. MANUAL SOFT. F64BC (61202C) 3/4" DF - SIDECONTROL	Side

Box: WxLxH	Box: Q.ty	Box: Weight	Pallet: WxLxH	Pallet: Q.ty	Pallet: Weight

Certificates	Manufacturer	Sectors
	Runxin	Domestic



Runxin Manual Filter Valves

Max 4 m³/h Multi-way Manual Valve

- Multi-way valve having three functions: filtration, backwash, rinse;
- Fits threaded tanks 2 ½" - 8NPSM;
- IN/OUT connections and drain 1" BSPP female;
- Riser tube diameter 1,05" (26,7 mm);
- Max suggested flow 4 m³/h (only valve);
- Max operating pressure 6 bar @ 20°C;
- Max operating temperature 50°C;
- Upper screen included
- **ATTENTION:** this multi-way valve is prohibited to change working position with pressure; make sure to shut down pump or close feed valve before rotating the handle to other working position.

Ref	Description	Fam.	Subfam.		Price Euro
PV410	MULTI-WAY MANUAL VALVE 2.5" IN/OUT AND DRAIN W/UPPER SCREEN 1.05"	50	240		77,22

Box: WxLxH	Box: Q.ty	Box: Weight	Pallet: WxLxH	Pallet: Q.ty	Pallet: Weight

Certificates	Manufacturer	Sectors
	Runxin	Industrial



Max 10 m³/h Multi-way Manual Valves

- Multi-way valve having three functions: filtration, backwash, rinse;
- Fits threaded tanks 4" - 8UN;
- IN/OUT connections 2" BSPP female;
- Drain line connection 1,5" BSPP female;
- Riser tube diameter 50 mm;
- Max suggested flow 10 m³/h (only valve) @ Δp = 1,75 bar;
- Operating flow rate Kv = 8,2;
- Backwash flow rate Kv = 6,1;
- Max operating pressure 6 bar @ 20°C;
- Max operating temperature 50°C;
- Upper screen included.
- **ATTENTION:** this multi-way valve is prohibited to change working position with pressure; make sure to shut down pump or close feed valve before rotating the handle to other working position.

Ref	Description	Fam.	Subfam.		Price Euro
RF56D1	VALV. MANUAL FILTER F56D1 (51110) 2" F - METAL HANDLE	22	980		209,23
RF56D2	VALV. MANUAL FILTER F56D2 (51210) 2" F - PLASTIC HANDLE	22	980		169,01

Box: WxLxH	Box: Q.ty	Box: Weight	Pallet: WxLxH	Pallet: Q.ty	Pallet: Weight

Certificates	Manufacturer	Sectors
	Runxin	Industrial



Fleck Residential Valves Series 4600



- Made in European Union (Italy)
- The 4600 control valve is suitable for residential softening applications, fully adjustable, for efficient and reliable water treatment.
- Designed with a double backwash for less loss of hardness.
- Valve body in brass.
- It is a single piston valve, with a protective cover against atmospheric agents resistant to water, corrosion and UV rays.
- Down Flow regeneration
- Operating Flow Rate = 4.5 m³/h (20 gpm)
- Backwash Flow Rate 1.6 m³/h (7 gpm)
- Regeneration:
 - Timeclock: 7 or 12 days
 - Meter: delayed or immediate
 - Electronics
- Complete with European Transformer 230-24 V / 50/60 Hz 60 VA and 1.05" twist lock upper screen.
- OPTIONS: Mechanical controllers for simplex; Hot Water - only mechanical 65 ° C meter / 82 ° C timeclock

Ref	Description	Fam.	Subfam.		Price Euro
FV460MC-600	FLECK VALV. 4600/1600 12 DAYS 0-1,2-0,25	23	505		1057,96
FV460MC-601	FLECK VALV. 4600/1600 12 DAYS 1-1,5-0,25 HW	23	505		974,98
FV460MC-602	FLECK VALV. 4600/1600 12 DAYS 0-1,2-0,25 LWU HW	23	505		1057,96
FV460MC-603	FLECK VALV. 4600/1600 12 DAYS 0-1,2-0,25 LWU	23	505		858,96
FV460MR-600	FLECK VALV. 4600/1600 3/4" ECOBYPASS 8 M3 0-1,2-0,25 HW	23	505		1443,93
FV460MR-601	FLECK VALV. 4600/1600 3/4" ECOBYPASS 8 M3 1-1,5-0,25 HW	23	505		1360,96
FV460MR-602	FLECK VALV. 4600/1600 3/4" ECOBYPASS 8 M3 0-1,2-0,25 LWU HW	23	505		1443,93
FV460MR-603	FLECK VALV. 4600/1600 3/4" ECOBYPASS 8 M3 1-1,5-0,25 LWU HW	23	505		1443,93
FV460MR-604	FLECK VALV. 4600/1600 3/4" METER 8 M3 0-1,2-0,25LWU	23	505		1095,01
FV460MR-605	FLECK VALV. 4600/1600 3/4" METER 8 M3 1-1,5-0,25LWU	23	505		1095,01
FV460SC-600	FLECK VALV. 4600/1600 SXT 0-1,2-0,25 HW	23	505		1088,08

Characteristics	
Tank size (recommended):	Softening System = 6" ÷ 12"
In/Out Connections	Threaded 3/4" or 1" BSP
Pressure vessel connection	Threaded 2,5" - 8 UN male
Drain line connection	Threaded 1/2" NPT or BSP
Brine line connection (1600)	Threaded 3/8"
Distributor tube O. D. diameter	1,05" (=27 mm)
Operating pressure	1,4 ÷ 8,5 bar
Water Temperature	1 ÷ 40 °C
Protection class	IP22
Height (from top of tank)	180 mm

Box: WxLxH	Box: Q.ty	Box: Weight	Pallet: WxLxH	Pallet: Q.ty	Pallet: Weight

Certificates	Manufacturer	Sectors
DM174-2004 CE, EAC	Pentair	Domestic

Accessories

Ref	Description	Fam.	Subfam.		Price Euro
FVA13398-10	1" BSP F BRASS YOKE FOR 5800, 9000 AND 9100 VALVE	23	590		37,64
FVA18706-10	1" BSP M PLASTIC YOKE FOR 5800, 9000 AND 9100 VALVES	23	590		18,88
FVA24689	3/4" BSP M BRASS YOKE FOR 5800, 9000 AND 9100 VALVES	23	590		55,47
FVA18706-12	3/4" BSP M PLASTIC YOKE FOR 5800, 9000 AND 9100 VALVES	23	590		18,88



Signature Fleck Residential Valves Kit Series 5600



- Made in European Union (Italy).
- The kit includes 48 pieces of Fleck Valves 5600;
- The 5600 is high performance control valve, ideal for residential softening applications with multiple options (also filter). The valve body in fiber-reinforced material is UV rays resistant and no subject to corrosion. The valve is easily programmable and very intuitive. Modular design simplifies the disassembly and the maintenance.
- The 5600 valve has a mechanical timer: the 5600SXT valve is an electronic valve: they share the same valve body (5600), but it is different for the cover and the electronic components.
- Down Flow regeneration.
- Valve body in Noryl plastic material = polyphenylene oxide (PPO).
- Operating Flow Rate = 4.5 m³/h (20 gpm)
- Backwash Flow rate = 1.6 m³/h (7 gpm)
- Regeneration:
 - Chronometric: 7 or 12 days
 - Volumetric: delayed or immediate
 - Electronics
- Complete with European Transformer 230-24 V / 50/60 Hz 60 VA and 1.05" twist lock upper screen.
- OPTIONS: SXT electronics.
- Each kit includes 48 pieces of each following items: Bypass, Air Check 500, SBV 2310, Distributor Assy 1" HF, Yoke.

NOTE: these products are not available in stock.

Ref	Description	Fam.	Subfam.		Price Euro
SIG560MC-001	VALVE 5600 1600 7 DAYS LWU 3/4" YOKE KIT 15L	23	500		23996,42
SIG560MR-002	VALVE 5600 1600 ECO, KIT 15L	23	500		26977,99
SIG560MR-003	VALVE 5600 1600 ECO, KIT 20L	23	500		26977,99
SIG560MR-005	VALVE 5600 1600 ECO, INOX BP, KIT 15L	23	500		26977,99
SIG560MR-006	VALVE 5600 1600 ECO, INOX BP, KIT 20L	23	500		26977,99
SIG560MR-007	VALVE 5600 1600 ECO LWU INOX BP, KIT 15L	23	500		26977,99
SIG560SC-001	VALVE 5600 SXT 1600, 3/4" YOKE KIT 15L	23	500		26448,99
SIG560SR-002	VALVE 5600 SXT 1600 ECO, KIT 15L	23	500		29430,48
SIG560SR-003	VALVE 5600 SXT 1600 ECO, KIT 20L	23	500		29430,48
SIG560SR-005	VALVE 5600 SXT 1600 ECO, INOX BP, KIT 15L	23	500		29430,48
SIG560SR-006	VALVE 5600 SXT 1600 ECO, INOX BP, KIT 20L	23	500		29430,48
SIG560SR-007	VALVE 5600 SXT 1600 ECO, 1" YOKE, KIT 15L	23	500		29430,48

Characteristics	
Tank size (recommended):	Softening System = 6" ÷ 12"
In/Out Connections	Threaded 3/4" or 1" BSP
Pressure vessel connection	Threaded 2,5" - 8 UN male
Drain line connection	Threaded 1/2" NPT or BSP
Brine line connection (1600)	Threaded 3/8"
Distributor tube O. D. diameter	1,05" (=27 mm)
Operating pressure	1,4 ÷ 8,5 bar
Water Temperature	1 ÷ 40 °C
Protection class	IP22
Height (from top of tank)	180 mm (200 mm with programmer SXT)

Box: WxLxH	Box: Q.ty	Box: Weight	Pallet: WxLxH	Pallet: Q.ty	Pallet: Weight

Certificates	Manufacturer	Sectors
DM174-2004 CE, EAC	Pentair	Domestic



Fleck Residential Valves Series 5600



- Made in European Union (Italy)
- The 5600 is high performance control valve, ideal for residential softening applications with multiple options (also filter). The valve body in fiber-reinforced material is UV rays resistant and no subject to corrosion. The valve is easily programmable and very intuitive. Modular design simplifies the disassembly and the maintenance.
- The 5600 valve has a mechanical timer: the 5600SXT valve is an electronic valve: they share the same valve body (5600), but it is different for the cover and the electronic components.
- Down Flow regeneration.
- Valve body in Noryl plastic material = polyphenylene oxide (PPO).
- Operating Flow Rate = 4.5 m³/h (20 gpm)
- Backwash Flow rate = 1.6 m³/h (7 gpm)
- Regeneration:
 - - Chronometric: 7 or 12 days
 - - Volumetric: delayed or immediate
 - - Electronics
- Complete with European Transformer 230-24 V / 50/60 Hz 60 VA and 1.05" twist lock upper screen.
- OPTIONS: SXT electronics.

Ref	Description	Fam.	Subfam.		Price Euro
FV560MC-600	FLECK VALV. 5600/1600 12 DAYS 0-1,2-0,25 LWU	23	500		642,44
FV560MC-601	FLECK VALV. 5600/1600 12 DAYS 1-1,5-0,25	23	500		619,25
FV560MC-602	FLECK VALV. 5600/1600 12 DAYS 2-3,5-0,5	23	500		642,44
FV560MR-601	FLECK VALV. 5600/1600 3/4" METER 8 M3 1-1,5-0,25	23	500		849,72
FV560MR-602	FLECK VALV. 5600/1600 3/4" METER 40 M3 2-3,5-0,5	23	500		889,74
FV560MR-603	FLECK VALV. 5600/1600 3/4" METER 8 M3 0-1,2-0,25LWU	23	500		872,87
FV560SC-600	FLECK VALV. 5600/1600 SXT 0-1,2-0,25	23	500		617,83
FV560SC-601	FLECK VALV. 5600/1600 SXT 1-1,5-0,25	23	500		595,37
FV560SR-600	FLECK VALV. 5600/1600 SXT 3/4" TURBINE 0-1,2-0,25	23	500		817,71
FV560SR-601	FLECK VALV. 5600/1600 SXT 3/4" TURBINE 1-1,5-0,25	23	500		648,10
FV560SR-602	FLECK VALV. 5600/1600 SXT 3/4" TURBINE 2-3,5-0,5	23	500		817,71
FV560SR-603	FLECK VALV. 5600/1600 SXT 3/4" TURBINE 1-2,4-0,25	23	500		817,71

Characteristics	
Tank size (recommended):	Softening System = 6" ÷ 12"
In/Out Connections	Threaded 3/4" or 1" BSP
Pressure vessel connection	Threaded 2,5" - 8 UN male
Drain line connection	Threaded 1/2" NPT or BSP
Brine line connection (1600)	Threaded 3/8"
Distributor tube O. D. diameter	1,05" (=27 mm)
Operating pressure	1,4 ÷ 8,5 bar
Water Temperature	1 ÷ 40 °C
Protection class	IP22
Height (from top of tank)	180 mm (200 mm with programmer SXT)

Box: WxLxH	Box: Q.ty	Box: Weight	Pallet: WxLxH	Pallet: Q.ty	Pallet: Weight
	6				

Certificates	Manufacturer	Sectors
DM174-2004 CE, EAC	Pentair	Domestic



Fleck Residential Valves Series 5600

Accessories and Spare Parts

Ref	Description	Fam.	Subfam.		Price Euro
FVA13398-10	1" BSP F BRASS YOKE FOR 5800, 9000 AND 9100 VALVE	23	590		37,64
FVA18706-10	1" BSP M PLASTIC YOKE FOR 5800, 9000 AND 9100 VALVES	23	590		18,88
FVA24689	3/4" BSP M BRASS YOKE FOR 5800, 9000 AND 9100 VALVES	23	590		55,47
FVA18706-12	3/4" BSP M PLASTIC YOKE FOR 5800, 9000 AND 9100 VALVES	23	590		18,88
FVA10218	MICROSWITCH (SINGLE)	23	585		10,14
FVA24114	BRINE VALVE 1600 ASSEMBLY RESID.	23	590		29,59
FVR12767	SCREEN BRINE LINE	23	585		9,13
FVR13305-01	O-RING 560 CD ADAPT COUPLING	23	585		2,78
FVR22359	HOSE BARB STRAIGHT HOT WATER	23	585		2,20
FVR24115	S&S KIT RESID	23	585		43,46
FVR42933-10	MAIN DRIVE GEAR 5600SE-6600-6700	23	585		19,57
FVRKIT51	KIT ACCESSORIES 1600 WITH BV44/AC500	23	585		25,51



Fleck Residential Valves Series 5800



- Made in European Union (Italy)
- The 5800 control valve is suitable for residential/commercial filter/softening applications. The valve body in fiber-reinforced material is UV rays resistant and no subject to corrosion.
- 5800 represents a great step forward in the Fleck product range: the valve platform
- is made of one hydraulic valve and different controllers, allowing various options, eliminating the need to stock a variety of control valves for filter or softener applications. 5800 features an improved flow, easy servicing (one-piece seal and spacer cartridge for quick and easy replacement) and a quick set-up.
- Cartridge with seal and spacer, reduced list of spare parts and snap assembly.
- LCD - backlit display that helps in the presence of poor lighting conditions.
- Down/Up Flow regeneration, according to the models.
- Valve body in Noryl plastic material = polyphenylene oxide (PPO).
- **Operating Flow Rate** = 4.7 m³/h (21gpm) **Backwash Flow rate** = 3.8 m³/h (16 gpm)
- Regeneration: - **Chronometric**: 7 or 12 days - **Volumetric**: delayed or immediate - Electronics
- Complete with 1.05" twist lock upper screen. In 24 V with international adapter 230 VAC - 12 VDC 50/60 Hz.
- **NOTE**: Not use silicone lubricants. **OPTIONS**: Electronic LXT - SXT - XTR

Ref	Description	Fam.	Subfam.		Price Euro
FV580LC-001	FLECK VALV. 5800/1600 LXT DF 000-1,5-0,125	23	510		540,98
FV580LR-001	FLECK VALV. 5800/1600 LXT DF 3/4" TURBINE 000-1,5-0,125	23	510		633,04
FV580LR-002	FLECK VALV. 5800/1600 LXT UF 3/4" TURBINE 000-1,5-0,125	23	510		633,04
FV580LC-002	FLECK VALV. 5800/1600 LXT UF 000-1,5-0,125	23	510		540,94
FV580LC-003	FLECK VALV. 5800 FILTER LXT 7 GPM	23	510		540,94
FV580SC-001	FLECK VALV. 5800/1600 SXT DF 1-1,5-0,25	23	510		610,01
FV580SR-001	FLECK VALV. 5800/1600 SXT DF 3/4" TURBINE 1-1,5-0,25	23	510		610,01
FV580SR-002	FLECK VALV. 5800/1600 SXT DF 3/4" TURBINE 0-1,2-0,25	23	510		702,07
FV580SR-003	FLECK VALV. 5800/1600 SXT UF 3/4" TURBINE 00-1,2-0,125	23	510		702,07
FV580SC-003	FLECK VALV. 5800/1600 SXT UF 00-1,2-0,125	23	510		610,01
FV580SC-004	FLECK VALV. 5800 FILTER SXT 7 GPM	23	510		610,01
FV580XC-001	FLECK VALV. 5800/1600 XTR DF 1-1,5-0,25	23	510		909,27
FV580XR-001	FLECK VALV. 5800-1600 XTR DF 3/4" TURBINE 1-1,5-0,25	23	510		1001,33
FV580XR-002	FLECK VALV. 5800/1600 XTR UF 3/4" TURBINE 00-1,2-0,25	23	510		1001,33
FV580XC-003	FLECK VALV. 5800 FILTER XTR 7 GPM	23	510		909,27

Characteristics	
Tank size (recommended):	Softening System = 6" ÷ 16" Filter = 8" ÷ 16"
In/Out Connections	Threaded 3/4 or 1" BSP to order separately
Pressure vessel connection	Threaded 2,5" - 8 UN male
Drain line connection	Threaded 1/2" NPT
Brine line connection (1600)	Threaded 3/8"
Distributor tube O. D. diameter	1,05" (=27 mm)
Operating pressure	1,4 ÷ 8,5 bar
Water Temperature	1 ÷ 40 °C
Protection class	IP22
Height (from top of tank)	228 mm

Box: WxLxH	Box: Q.ty	Box: Weight	Pallet: WxLxH	Pallet: Q.ty	Pallet: Weight
	4				

Certificates	Manufacturer	Sectors
DM174-2004, CE, EAC	Pentair	Domestic



Fleck Residential Valves Series 5800

Accessories

Ref	Description	Fam.	Subfam.		Price Euro
FVA13398-10	1" BSP F BRASS YOKE FOR 5800, 9000 AND 9100 VALVE	23	590		37,64
FVA18706-10	1" BSP M PLASTIC YOKE FOR 5800, 9000 AND 9100 VALVES	23	590		18,88
FVA24689	3/4" BSP M BRASS YOKE FOR 5800, 9000 AND 9100 VALVES	23	590		55,47
FVA18706-12	3/4" BSP M PLASTIC YOKE FOR 5800, 9000 AND 9100 VALVES	23	590		18,88
FVAP80	P80 EMULSION TEMPORARY RUBBER ASSEMBLY LUBRICANT10 ML TUBE	23	590		9,00



Fleck Commercial Valves Series Twin 9000



- Made in European Union (Italy)
- The 9000 is a brass valve with a fully adjustable 5-cycle control for efficient and reliable water treatment for commercial softening applications, suitable for alternating duplex systems.
- It regenerates immediately when needed for continuous soft water, keeping system clean for optimum operating efficiency and minimum maintenance.
- Valve body in brass, which permit to adapt the hot water option up to 65°C.
- Down Flow regeneration
- Operating Flow Rate = 4 m³/h (17 gpm)
- Backwash Flow Rate = 1.9 m³/h (8 gpm)
- Regeneration:
 - Volumetric: delayed or immediate
 - Electronics
- Complete with European Transformer 230-24 V / 50/60 Hz 60 VA and 1.05" twist lock upper screen.
- NOTE: Accessories for the connection of the second tank are not included, to order separately. Upper diffusers included, for both pressure tanks.
- OPTIONS: Electronic SXT - ET; Hot water 65 ° C

Ref	Description	Fam.	Subfam.		Price Euro
FV900SI-600	FLECK VALV. 9000/1600 SXT 3/4" METER 0-1,2-0,25	23	515		1783,90
FV900SI-601	FLECK VALV. 9000/1600 SXT 3/4" METER 1-1,5-0,25	23	515		1505,56
FV900SI-602	FLECK VALV. 9000/1600 SXT 3/4" METER 1-2,4-0,5	23	515		1505,56
FV900SI-603	FLECK VALV. 9000/1600 SXT 3/4" METER 1-2,4-0,5 WITH MS ENG PLUG	23	515		1817,34
FV900SI-604	FLECK VALV. 9000/1600 SXT 1" METER 2-2,4-0,5	23	515		2210,17
FV900SI-605	FLECK VALV. 9000/1600 SXT 3/4" METER 2-3,5-1	23	515		1783,94
FV900SI-606	FLECK VALV. 9000/1600 SXT 3/4" METER 2-4-1	23	515		1783,90
FV900SI-607	FLECK VALV. 9000/1600 SXT 3/4" METER 3-5-1	23	515		1783,94
FV900SI-608	FLECK VALV. 9000/1600 SXT 3/4" METER 3-7-1	23	515		1783,90
FV900MI-600	FLECK VALV. 9000/1600 3/4" METER 8 M3 1-1,5-0,25	23	515		1798,04
FV900MI-601	FLECK VALV. 9000/1600 3/4" METER 8 M3 1-2,4-0,5	23	515		1798,04
FV900MI-602	FLECK VALV. 9000/1600 3/4" METER 40 M3 1-2,4-0,5	23	515		1680,44
FV900MI-603	FLECK VALV. 9000/1600 3/4" METER 40 M3 2-3,5-1	23	515		1815,34
FV900MI-604	FLECK VALV. 9000/1600 3/4" METER 40 M3 2-4-1	23	515		1815,34
FV900MI-605	FLECK VALV. 9000/1600 3/4" METER 40 M3 3-5-1	23	515		1680,44
FV900MI-606	FLECK VALV. 9000/1600 1" METER 100 M3 3-5-1	23	515		2287,98
FV900MI-607	FLECK VALV. 9000/1600 3/4" METER 40 M3 3-7-1	23	515		1815,34
FV900MI-608	FLECK VALV. 9000/1600 1" METER 100 M3 3-7-1	23	515		2287,98
FV900MI-609	FLECK VALV. 9000/1600 1" METER 100 M3 3-7-1	23	515		2259,01



Fleck Commercial Valves Series Twin 9000

Accessories

Ref	Description	Fam.	Subfam.		Price Euro
FVA18122	9000 KIT FLEXIBLE 2ND TANK ADAPTER - 200 MM	23	590		159,94
FVA18123	9000 KIT FLEXIBLE 2ND TANK ADAPTER - 400 MM	23	590		186,90
FVA18124	9000 KIT FLEXIBLE 2ND TANK ADAPTER - 500 MM	23	590		213,95
FVA13398-10	1" BSP F BRASS YOKE FOR 5800, 9000 AND 9100 VALVE	23	590		37,64
FVA18706-10	1" BSP M PLASTIC YOKE FOR 5800, 9000 AND 9100 VALVES	23	590		18,88
FVA24689	3/4" BSP M BRASS YOKE FOR 5800, 9000 AND 9100 VALVES	23	590		55,47
FVA18706-12	3/4" BSP M PLASTIC YOKE FOR 5800, 9000 AND 9100 VALVES	23	590		18,88

Characteristics	
Tank size (recommended):	Softening System = 6" ÷ 16"
Connections di Ingresso / Uscita	Threaded 3/4" or 1" BSP to be ordered separately in quantities depending on the installation.
Pressure vessel connection	Threaded 2,5" - 8 UN male
Drain line connection	Threaded 1/2" or 1" NPT
Brine line connection (1600)	Threaded 3/8"
Distributor tube O. D. diameter	1,05" (=27 mm)
Operating pressure	1,8 ÷ 8,5 bar
Water Temperature	1 ÷ 40 °C
Protection class	IP22
Height (from top of tank)	165 mm

Box: WxLxH	Box: Q.ty	Box: Weight	Pallet: WxLxH	Pallet: Q.ty	Pallet: Weight
	1				

Certificates	Manufacturer	Sectors
DM174-2004 CE, EAC	Pentair	Commercial



Fleck Commercial Valves Series Twin 9100



- Made in European Union (Italy)
- The 9100 is a valve in Noryl plastic material, non-corrosive and UV-resistant, for an efficient water treatment and suitable for commercial softening applications, designed for alternating duplex systems.
- It regenerates immediately when needed for continuous soft water, keeping system clean for optimum operating efficiency and minimum maintenance.
- Valve body in Noryl plastic material = polyphenylene oxide (PPO). **Down Flow regeneration.**
- **Operating Flow Rate** = 4 m³/h (17 gpm) **Backwash Flow Rate** = 1.9 m³/h (8 gpm)
- Regeneration: - Volumetric: delayed or immediate - Electronics
- Complete with: European Transformer 230-24 V / 50/60 Hz 60 VA -1.05" twist lock upper screen -quick connections for the second tank and PVC connection pipes.
- **NOTE:** Accessories for the connection of the second tank are not included, to order separately. Upper diffusers included, for both pressure tanks. **OPTIONS:** Electronic SXT - ET

Ref	Description	Fam.	Subfam.		Price Euro
FV910SI-600	FLECK VAL. 9100/1600 SXT MIXING 3/4" METER 0-1,2-0	23	520		1452,09
FV910SI-601	FLECK VALV. 9100/1600 SXT 3/4" METER 1-2,4-0,5	23	520		1295,97
FV910SI-602	FLECK VALV. 9100/1600 SXT 3/4" METER MSWIRED 1-2,4-0,5	23	520		1492,42
FV910SI-603	FLECK VALV. 9100/1600 SXT 3/4" METER MS 1-2,4-0,5	23	520		1427,09
FV910SI-604	FLECK VALV. 9100/1600 SXT 3/4" MS 1-2,4-0,5 ENG.PLUG	23	520		1434,68
FV910SI-605	FLECK VALV. 9100/1600 SXT MIXING 3/4" METER 1-2,4-1	23	520		1452,09
FV910SI-606	FLECK VALV. 9100/1600 SXT 3/4" METER 2-3,5-1	23	520		1401,25
FV910SI-607	FLECK VALV. 9100/1600 SXT 1" METER 3-5-1	23	520		1827,51
FV910SI-608	FLECK VALV. 9100/1600 SXT 3/4" METER 3-5-1	23	520		1295,97
FV910MI-600	FLECK VALV. 9100/1600 3/4" METER 8 M3 1-1,2-0,25	23	520		1388,11
FV910MI-601	FLECK VALV. 9100/1600 3/4" METER 8 M3 1-1,5-0,5	23	520		1388,11
FV910MI-602	FLECK VALV. 9100/1600 3/4" METER 40 M3 1-2,4-0,5	23	520		1405,41
FV910MI-603	FLECK VALV. 9100/1600 3/4" METER 40 M3 2-3,5-1	23	520		1405,41
FV910MI-604	FLECK VALV. 9100/1600 1" METER 100 M3 3-5-1	23	520		1878,05
FV910MI-605	FLECK VALV. 9100/1600 3/4" METER 40 M3 3-7-1	23	520		1405,41

Characteristics	
Tank size (recommended):	Softening System = 6" ÷ 16"
In/Out Connections	Threaded 3/4" or 1" BSP to be ordered separately in quantities depending on the installation.
Pressure vessel connection	Threaded 2,5" - 8 UN male
Drain line connection	Threaded 1/2" or 1" NPT or BSP
Brine line connection (1600)	Threaded 3/8"
Distributor tube O. D. diameter	1,05" (=27 mm)
Operating pressure	1,8 ÷ 8,5 bar
Water Temperature	1 ÷ 40 °C
Protection class	IP22
Height (from top of tank)	185 mm

Box: WxLxH	Box: Q.ty	Box: Weight	Pallet: WxLxH	Pallet: Q.ty	Pallet: Weight
	1				

Certificates	Manufacturer	Sectors
DM174-2004 CE, EAC	Pentair	Commercial



Signature Fleck Commercial Valves Kit Series Twin 9100



- Made in European Union (Italy).
- The kit includes 24 pieces of Fleck Valves 9100;
- The 9100 is a valve in Noryl plastic material, non-corrosive and UV-resistant, for an efficient water treatment and suitable for commercial softening applications, designed for alternating duplex systems.
- It regenerates immediately when needed for continuous soft water, keeping system clean for optimum operating efficiency and minimum maintenance.
- Valve body in Noryl plastic material = polyphenylene oxide (PPO). **Down Flow regeneration.**
- **Operating Flow Rate** = 4 m³/h (17 gpm) **Backwash Flow Rate** = 1.9 m³/h (8 gpm)
- Regeneration: - Volumetric: delayed or immediate - Electronics
- Complete with: European Transformer 230-24 V / 50/60 Hz 60 VA -1.05" twist lock upper screen -quick connections for the second tank and PVC connection pipes.
- **NOTE:** Accessories for the connection of the second tank are not included, to order separately. Upper diffusers included, for both pressure tanks. **OPTIONS:**Electronic SXT - ET.
- Each kit includes 24 pieces of each following items: Bypass, Air Check 500, SBV 2310, Distributor Assy 1" HF (48 pieces), Yoke.

NOTE: these products are not available in stock.

Ref	Description	Fam.	Subfam.		Price Euro
SIG910SI-001	VALVE 9100-1600, MIX 3/4" SXT, 9"	23	520		32656,91
SIG910SI-002	VALVE 9100-1600, MIX 3/4" SXT, 12"	23	520		32656,91
SIG910SI-003	VALVE 9100-1600, MIX 3/4" SXT, 16"	23	520		32656,91

Characteristics	
Tank size (recommended):	Softening System = 6" ÷ 16"
In/Out Connections	Threaded 3/4" or 1" BSP to be ordered separately in quantities depending on the installation.
Pressure vessel connection	Threaded 2,5" - 8 UN male
Drain line connection	Threaded 1/2" or 1" NPT or BSP
Brine line connection (1600)	Threaded 3/8"
Distributor tube O. D. diameter	1,05" (=27 mm)
Operating pressure	1,8 ÷ 8,5 bar
Water Temperature	1 ÷ 40 °C
Protection class	IP22
Height (from top of tank)	185 mm

Box: WxLxH	Box: Q.ty	Box: Weight	Pallet: WxLxH	Pallet: Q.ty	Pallet: Weight

Certificates	Manufacturer	Sectors
DM174-2004 CE, EAC	Pentair	Commercial



Fleck Commercial Valves Series Twin 9100

Accessories

Ref	Description	Fam.	Subfam.		Price Euro
FVA28243-07	9100 PVC CONNECTING TUBES 2ND TANK ADAPTER - 7"	23	590		77,51
FVA28243-09	9100 PVC CONNECTING TUBES 2ND TANK ADAPTER - 9"	23	590		77,51
FVA28243-12	9100 PVC CONNECTING TUBES 2ND TANK ADAPTER - 12"	23	590		77,51
FVA28243-16	9100 PVC CONNECTING TUBES 2ND TANK ADAPTER - 16"	23	590		77,51
FVA13398-10	1" BSP F BRASS YOKE FOR 5800, 9000 AND 9100 VALVE	23	590		37,64
FVA18706-10	1" BSP M PLASTIC YOKE FOR 5800, 9000 AND 9100 VALVES	23	590		18,88
FVA24689	3/4" BSP M BRASS YOKE FOR 5800, 9000 AND 9100 VALVES	23	590		55,47
FVA18706-12	3/4" BSP M PLASTIC YOKE FOR 5800, 9000 AND 9100 VALVES	23	590		18,88



Fleck Commercial Valves Series Twin 9500



- Made in European Union (Italy)
- The 9500 is a brass valve, non-corrosive and UV-resistant, with fully adjustable 5-cycle control for an efficient water treatment and suitable for commercial softening applications, designed for alternating duplex systems.
- It regenerates immediately when needed for continuous soft water, keeping system clean for optimum operating efficiency and minimum maintenance.
- Valve body in brass, which permit to adapt the hot water option up to 65°C.
- Down Flow regeneration.
- Operating Flow Rate = 8.4 m³/h (37 gpm)
- Backwash Flow Rate = 3.3 m³/h (14 gpm)
- **Regeneration:** - Volumetric: delayed or immediate - Electronics
- Complete with European Transformer 230-24 V / 50/60 Hz 60 VA
- **NOTE:** Accessories for the connection of the second tank are not included, to order separately. Upper diffusers included, for both pressure tanks
- **OPTIONS:** Electronic SXT - ET; Hot water 65 ° C

Ref	Description	Fam.	Subfam.		Price Euro
FV950SI-600	FLECK VALV. 9500/1650 SXT 1.5" METER 3-5-1	23	525		4255,93
FV950SI-601	FLECK VALV. 9500/1650 SXT 1.5" INLINE METER 3-5-1	23	525		4350,76
FV950SI-602	FLECK VALV. 9500/1650 SXT 1.5" METER MS 3-5-1 ENG. PLUG	23	525		4979,18
FV950SI-603	FLECK VALV. 9500/1710 SXT 1.5" METER 3C-7-1,2	23	525		5047,36
FV950SI-604	FLECK VALV. 9500/1710 SXT 1.5" METER 4C-10-2	23	525		5047,36
FV950SI-605	FLECK VALV. 9500/1710 SXT 1.5" METER 4C-15-2	23	525		4255,89
FV950SI-606	FLECK VALV. 9500/1710 SXT 1.5" INLINE METER 4C-15-2	23	525		4586,00
FV950SI-607	FLECK VALV. 9500/1710 SXT 1.5" METER MS 4C-15-2 ENG. PLUG	23	525		5080,79
FV950EI-600	FLECK VALV. 9500/1650 ET 1.5" METER 3-5-1	23	525		5629,20
FV950EI-601	FLECK VALV. 9500/1710 ET 1.5" METER 4C-15-2	23	525		5730,82
FV950MI-600	FLECK VALV. 9500/1650 1.5" METER 40 M3 3-5-1	23	525		4817,24
FV950MI-602	FLECK VALV. 9500/1710 1.5" METER 200 M3 4C-10-2	23	525		4817,24
FV950MI-603	FLECK VALV. 9500/1710 1.5" METER 200 M3 MSWIRED 4C-10-2	23	525		5445,00
FV950MI-604	FLECK VALV. 9500/1710 1.5" METER 40 M3 4C-10-2	23	525		5322,20
FV950MI-606	FLECK VALV. 9500/1710 1.5" METER 40 M3 4C-15-2	23	525		5322,20

Accessories

Ref	Description	Fam.	Subfam.		Price Euro
FVA28137-16	9500 KIT COPPER TUBES 2ND TANK ADAPTER - 16"	23	590		533,66
FVA28137-20	9500 KIT COPPER TUBES 2ND TANK ADAPTER - 20"	23	590		533,66
FVA28137-24	9500 KIT COPPER TUBES 2ND TANK ADAPTER - 24"	23	590		533,66



Fleck Commercial Valves Series Twin 9500

Characteristics	
Tank size (recommended):	Softening System = 10" ÷ 24"
In/Out Connections	Threaded 1,5" BSP
Pressure vessel connection	Threaded 4" - 8 UN male
Drain line connection	Threaded ½" NPT or BSP
Brine line connection (1650)	Threaded ¾"
Brine line connection (1710)	Threaded ½"
Distributor tube O. D. diameter	50 mm
Operating pressure	1,8 ÷ 8,5 bar
Water Temperature	1 ÷ 40 °C
Protection class	IP22
Height (from top of tank)	185 mm

Box: WxLxH	Box: Q.ty	Box: Weight	Pallet: WxLxH	Pallet: Q.ty	Pallet: Weight
	1				

Certificates	Manufacturer	Sectors
DM174-2004 CE, EAC	Pentair	Commercial

Accessories

Ref	Description	Fam.	Subfam.		Price Euro
FVA28137-16	9500 KIT COPPER TUBES 2ND TANK ADAPTER - 16"	23	590		533,66
FVA28137-20	9500 KIT COPPER TUBES 2ND TANK ADAPTER - 20"	23	590		533,66
FVA28137-24	9500 KIT COPPER TUBES 2ND TANK ADAPTER - 24"	23	590		533,66



Fleck Industrial Valves Series 2750



- Made in European Union (Italy)
- The 2750 control valve is suitable for small commercial and industrial filter or softening applications, designed for systems with one or more columns.
- It is a single piston valve, with a protective cover water, corrosion and UV rays resistant.
- Valve body in brass.
- Down Flow regeneration
- Operating Flow Rate = 5.9 m³/h (26 gpm)
- Backwash Flow Rate = 5.6 m³/h (25 gpm)
- Regeneration: Manual - Chronometric: 7 or 12 days
- - Volumetric: delayed or immediate -Electronics
- Complete with European Transformer 230-24 V / 50/60 Hz 60 VA and 1.05" twist lock upper screen.
- NOTE: For electronic models, the meter is not included, to order separately. For the filter valves, the DLFC is not included, to order separately.
- For NXT multi valve systems, please order (quantity = n-1 valves) the cable kit NXT (ref.FVA61763) separately;
- OPTIONS: NBP piston - Manual filter - SXT - NXT electronics - Mechanical controllers for simplex and duplex - Hot water - mechanical only 65 ° C volumetric or 82 ° C chronometric

Ref	Description	Fam.	Subfam.		Price Euro
FV275XC-600	FLECK VALV. 2750/1710 NO TIMER MSWIRED 4C-10-2	23	530		1377,75
FV275XC-601	FLECK VALV. 2750/1650 NO TIMER MSWIRED 3-5-1	23	530		1273,09
FV275XC-602	FLECK VALV. 2750/1600 NO TIMER HW MSWIRED 3-5-1	23	530		1532,10
FV275SC-600	FLECK VALV. 2750 FILTER SXT	23	530		1197,67
FV275SC-601	FLECK VALV. 2750 FILTER SXT NBP	23	530		1391,66
FV275SC-602	FLECK VALV. 2750 FILTER SXT NBP HW	23	530		1643,11
FV275SC-603	FLECK VALV. 2750/1650 SXT 3-5-1	23	530		1078,80
FV275NC-600	FLECK VALV. 2750 FILTER NXT NBP	23	530		1919,69
FV275NC-601	FLECK VALV. 2750 FILTER NXT	23	530		1725,70
FV275NC-602	FLECK VALV. 2750/1650 NXT 3-5-1	23	530		1820,96
FV275NC-603	FLECK VALV. 2750/1650 NXT NBP 3-5-1	23	530		2014,95
FV275NC-604	FLECK VALV. 2750/1710 NXT NBP 4C-10-2	23	530		2116,56
FV275NC-605	FLECK VALV. 2750/1600 NXT HW MSWIRED 3-5-1	23	530		2163,56
FV275NC-606	FLECK VALV. 2750/1600 NXT HW MSWIRED NBP 3-5-1	23	530		2357,54

Characteristics	
Tank size (recommended):	Softening System = 10" ÷ 24" Filter = 10" ÷ 21"
In/Out Connections	Threaded 1" BSP F
Pressure vessel connection	Threaded 2,5" - 8 UN male
Drain line connection	Threaded ¾" NPT or BSP
Brine line connection (1600)	Threaded ⅜"
Brine line connection (1710)	Threaded ½"
Distributor tube O. D. diameter	1,05" (=27 mm)
Operating pressure	1,8 ÷ 8,5 bar
Water Temperature	1 ÷ 40 °C
Protection class	IP22
Height (from top of tank)	165 mm

Box: WxLxH	Box: Q.ty	Box: Weight	Pallet: WxLxH	Pallet: Q.ty	Pallet: Weight

Certificates	Manufacturer	Sectors
DM174-2004 CE, EAC	Pentair	Commercial, Industrial



Fleck Industrial Valves Series 2750

Ref	Description	Fam.	Subfam.		Price Euro
FV275XM-600	FLECK VALV. 2750 FILTER MANUAL	23	530		652,42
FV275XM-601	FLECK VALV. 2750 FILTER MANUAL NBP	23	530		852,22
FV275MC-600	FLECK VALV. 2750 FILTER 12 DAYS	23	530		1168,89
FV275MC-601	FLECK VALV. 2750 FILTER 12 DAYS NBP	23	530		1368,74
FV275MC-602	FLECK VALV. 2750/1650 12 DAYS 3-5-1	23	530		1207,45
FV275MC-603	FLECK VALV. 2750/1710 12 DAYS 4C-10-2	23	530		1371,70
FV275MR-600	FLECK VALV. 2750/1650 1" METER (100 M3) 3-5-1	23	530		2520,79
FV275MP-600	FLECK VALV. 2750/1650 PULSE 3-5-1	23	530		1267,00

Box: WxLxH	Box: Q.ty	Box: Weight	Pallet: WxLxH	Pallet: Q.ty	Pallet: Weight

Certificates	Manufacturer	Sectors
DM174-2004 CE, EAC	Pentair	Commercial, Industrial

Accessories

Ref	Description	Fam.	Subfam.		Price Euro
FVA24202-10	DLFC 3/4" NPT - 3/4" BSP 2750 - 10 GPM	23	590		79,05
FVA24202-12	DLFC 3/4" NPT - 3/4" BSP 2750 - 12 GPM	23	590		79,05
FVA24202-15	DLFC 3/4" NPT - 3/4" BSP 2750 - 15 GPM	23	590		79,05
FVA24202-20	DLFC 3/4" NPT - 3/4" BSP 2750 - 20 GPM	23	590		79,05
FVA24202-25	DLFC 3/4" NPT - 3/4" BSP 2750 - 25 GPM	23	590		79,05
FVA24202-9	DLFC 3/4" NPT - 3/4" BSP 2750 - 9 GPM	23	590		79,05
FVA24212-1.2	DLFC 3/4" NPT - 1/2" NPT 2750 - 1,2 GPM	23	590		44,38
FVA24212-1.5	DLFC 3/4" NPT - 1/2" NPT 2750 - 1,5 GPM	23	590		44,38
FVA24212-2	DLFC 3/4" NPT - 1/2" NPT 2750 - 2 GPM	23	590		44,38
FVA24212-2.4	DLFC 3/4" NPT - 1/2" NPT 2750 - 2,4 GPM	23	590		44,38
FVA24212-3	DLFC 3/4" NPT - 1/2" NPT 2750 - 3 GPM	23	590		44,38
FVA24212-3.5	DLFC 3/4" NPT - 1/2" NPT 2750 - 3,5 GPM	23	590		44,38
FVA24212-4	DLFC 3/4" NPT - 1/2" NPT 2750 - 4 GPM	23	590		44,38
FVA24212-5	DLFC 3/4" NPT - 1/2" NPT 2750 - 5 GPM	23	590		44,38
FVA24212-7	DLFC 3/4" NPT - 1/2" NPT 2750 - 7 GPM	23	590		44,38
FVA29096	KIT METER SS ASSY 1" NT/NXT	23	590		798,29
FVA61763	KIT COMMUNICATION CABLE NXT/NXT2	23	590		59,63



Fleck Industrial Valves Series 2850



- Made in European Union (Italy)
- The 2850 control valve is suitable for small commercial and industrial filtration or softening applications, designed for systems with one or more columns.
- Valve body in brass.
- It is a single piston valve, with a cover non-corrosive, water and UV resistant.
- Down Flow regeneration
- Operating Flow Rate = 11.6 m³/h (51 gpm)
- Backwash Flow Rate = 11.1 m³/h (48 gpm)
- Regeneration: -Manual - Chronometric: 7 or 12 days - Volumetric: delayed or immediate - Electronics
- Complete with European Transformer 230-24 V / 50/60 Hz 60 VA and 2 " - Kit 8 upper screen.
- NOTE:For electronic models, the meter is not included, to order separately. For the filter valves, the DLFC is not included, to order separately.
- For NXT multi valve systems, please order (quantity = n-1 valves) the cable kit NXT (ref.FVA61763) separately;
- OPTIONS: NBP piston - Manual filter - Electronic SXT - NXT - Mechanical timers for simplex and duplex - Hot water - mechanical only 65° C volumetric or 82° C chronometric.

Ref	Description	Fam.	Subfam.		Price Euro
FV285MC-600	FLECK VALV. 2850 FILTER 12 DAYS	23	535		1650,39
FV285MC-601	FLECK VALV. 2850 FILTER 12 DAYS NBP	23	535		2072,00
FV285MC-602	FLECK VALV. 2850/1650 12 DAYS 3-5-1	23	535		1986,06
FV285MC-603	FLECK VALV. 2850/1710 12 DAYS 3C-7-1,2	23	535		2090,72
FV285MC-604	FLECK VALV. 2850/1710 12 DAYS 4C-10-2	23	535		1879,59
FV285MC-605	FLECK VALV. 2850/1710 12 DAYS 4C-10-2 NBP	23	535		2309,78
FV285MC-606	FLECK VALV. 2850/1710 12 DAYS 4C-15-2	23	535		2090,72
FV285MR-600	FLECK VALV. 2850/1650 1.5" METER 40 M3 3-5-1	23	535		3453,79
FV285MR-601	FLECK VALV. 2850/1710 1.5" METER 200 M3 4C-10-2	23	535		3587,33
FV285MR-602	FLECK VALV. 2850/1710 1.5" METER 200 M3 4C-10-2 NBP	23	535		3806,40
FV285XM-600	FLECK VALV. 2850 FILTER MANUAL NBP	23	535		1555,48
FV285XC-600	FLECK VALV. 2850/1710 NOTIMER MSWIRED 4C-10-2	23	535		2096,76
FV285XC-601	FLECK VALV. 2850/1710 NOTIMER MSWIRED 4C-10-2 NBP	23	535		2315,83
FV285SC-600	FLECK VALV. 2850 FILTER SXT	23	535		1828,51

Characteristics	
Tank size (recommended):	Softening System = 10" ÷ 30" Filter = 10" ÷ 24"
In/Out Connections	Threaded 1,5" BSP F
Pressure vessel connection	Threaded 4" - 8 UN male
Drain line connection	Threaded 1" NPT or BSP
Brine line connection (1650)	Threaded 3/8"
Brine line connection (1710)	Threaded 1/2"
Distributor tube O. D. diameter	3/4 pollice NPT
Operating pressure	50 mm
Water Temperature	1 ÷ 40 °C
Protection class	IP22
Height (from top of tank)	165 mm

Box: WxLxH	Box: Q.ty	Box: Weight	Pallet: WxLxH	Pallet: Q.ty	Pallet: Weight
	1				

Certificates	Manufacturer	Sectors
DM174-2004 CE, EAC	Pentair	Commercial, Industrial



Fleck Industrial Valves Series 2850

Ref	Description	Fam.	Subfam.		Price Euro
FV285SC-601	FLECK VALV. 2850 FILTER SXT NBP	23	535		2041,22
FV285SC-602	FLECK VALV. 2850/1650 SXT 3-5-1	23	535		1718,96
FV285SC-603	FLECK VALV. 2850/1650 SXT 3-5-1 NBP	23	535		2170,45
FV285SC-604	FLECK VALV. 2850/1710 SXT 3C-7-1,2	23	535		2059,36
FV285SC-605	FLECK VALV. 2850/1710 SXT 4C-10-2	23	535		1825,66
FV285SC-606	FLECK VALV. 2850/1710 SXT 4C-10-2 NBP	23	535		2272,07
FV285SC-607	FLECK VALV. 2850/1710 SXT 4C-15-2	23	535		2059,36
FV285SC-608	FLECK VALV. 2850/1710 SXT 5C-25-4 NBP	23	535		2272,07
FV285NC-600	FLECK VALV. 2850 FILTER NXT	23	535		2356,54
FV285NC-601	FLECK VALV. 2850 FILTER NXT NBP	23	535		2569,25
FV285NC-602	FLECK VALV. 2850/1650 NXT NBP 3-5-1	23	535		2698,49
FV285NC-603	FLECK VALV. 2850/1710 NXT NBP 4C-10-2	23	535		2800,10
FV285NC-604	FLECK VALV. 2850/1710 NXT NBP 4C-15-2	23	535		2800,10
FV285NC-605	FLECK VALV. 2850/1710 NXT NBP 5C-25-4	23	535		2800,10
FV285NC-606	FLECK VALV. 2850/1650 NXT 3-5-1	23	535		2485,78
FV285NC-607	FLECK VALV. 2850/1710 NXT 4C-10-2	23	535		2587,39
FV285NC-608	FLECK VALV. 2850/1710 NXT 4C-15-2	23	535		2587,39
FV285NC-609	FLECK VALV. 2850/1710 NXT 5C-25-4	23	535		2587,39

Box: WxLxH	Box: Q.ty	Box: Weight	Pallet: WxLxH	Pallet: Q.ty	Pallet: Weight

Certificates	Manufacturer	Sectors
DM174-2004 CE, EAC	Pentair	Commercial, Industrial

Accessories

Ref	Description	Fam.	Subfam.		Price Euro
FVA13640	DOLE 30 GPM 2850/2910	23	590		286,63
FVA25171-1.2	DLFC 1" NPT - 3/4" BSP ASSY 1.2 GPM 2850/2910/950	23	590		79,05
FVA25171-1.5	DLFC 1" NPT - 3/4" BSP ASSY 1.5 GPM 2850/2910/950	23	590		79,05
FVA25171-2	DLFC 1" NPT - 3/4" BSP ASSY 2 GPM 2850/2910/9500	23	590		79,05
FVA25171-2.4	DLFC 1" NPT - 3/4" BSP ASSY 2.4 GPM 2850/2910/950	23	590		79,05
FVA25171-3	DLFC 1" NPT - 3/4" BSP ASSY 3 GPM 2850/2910/9500	23	590		79,05
FVA25171-4	DLFC 1" NPT - 3/4" BSP ASSY 4 GPM 2850/2910/9500	23	590		79,05
FVA25171-5	DLFC 1" NPT - 3/4" BSP ASSY 5 GPM 2850/2910/9500	23	590		79,05
FVA25171-7	DLFC 1" NPT - 3/4" BSP ASSY 7 GPM 2850/2910/9500	23	590		79,05
FVA25581-8	DLFC 1" NPT - 3/4" BSP ASSY 8 GPM 2850/2910/9500	23	590		79,05
FVA25581-9	DLFC 1" NPT - 3/4" BSP ASSY 9 GPM 2850/2910/9500	23	590		79,05
FVA25581-ALL	KIT DLFC 1" 2850/2910/9500 10 TO 25 GPM	23	590		167,18
FVA29097	KIT METER SS ASSY 1,5" NT/NXT	23	590		997,90
FVA29111-3045	KIT DLFC 2" BSP W/REDUCER 2" TO 1" 30 TO 45 GPM 2850 FILTER	23	590		286,63
FVA61763	KIT COMMUNICATION CABLE NXT/NXT2	23	590		59,63



Fleck Industrial Valves Series 2910



- Made in European Union (Italy).
- The 2910 control valve is suitable for industrial and multivalve systems, for filtration or softening applications.
- Valve body in brass.
- It is a valve characterized by superior strength with improved 2 piston-system technology to drive independent flows of service and regeneration, with a cover non-corrosive, water and UV resistant.
- Down/Up Flow regeneration, according to the models.
- Operating Flow Rate = 24 m³/h (105 gpm)
- Backwash Flow Rate = 8 m³/h (35 gpm)
- Regeneration: - Chronometric: 7 or 12 days - Volumetric: delayed or immediate - Electronics
- Complete with European Transformer 230-24 V / 50/60 Hz 60 VA and 2" - Kit 8 upper screen.
- NOTE: For electronic models, the meter is not included, to order separately. For the filter valves, the DLFC is not included, to order separately.
- For NXT multi valve systems, please order (quantity = n-1 valves) the cable kit NXT (ref.FVA61763) separately;
- OPTIONS: NBP piston - Filter; Electronic SXT - NXT - Mechanical controllers for simplex and duplex - Hot water - mechanical only 65° C volumetric or 82° C chronometric.

Ref	Description	Fam.	Subfam.		Price Euro
FV291MD-600	FLECK VAL. 2910/1710 DUPLEX A #7 NBP 3C-7-1,2	23	540		3297,82
FV291MD-601	FLECK VAL. 2910/1710 DUPLEX B #7 NBP 3C-7-1,2	23	540		3297,82
FV291MD-602	FLECK VAL. 2910/1710 DUPLEX A #7 NBP 4C-12-2	23	540		3297,82
FV291MD-603	FLECK VAL. 2910/1710 DUPLEX B #7 NBP 4C-12-2	23	540		3297,82
FV291MD-604	FLECK VAL. 2910/1710 DUPLEX A #7 NBP 4C-15-2	23	540		3297,82
FV291MD-605	FLECK VAL. 2910/1710 DUPLEX B #7 NBP 4C-15-2	23	540		3297,82
FV291MD-606	FLECK VAL. 2910/1710 DUPLEX A #7 NBP 5C-25-4	23	540		3297,82
FV291MD-607	FLECK VAL. 2910/1710 DUPLEX B #7 NBP 5C-25-4	23	540		3297,82
FV291MD-608	FLECK VAL. 2910/1710 DUPLEX A #7 NBP 6C-30-4	23	540		3297,82
FV291MD-609	FLECK VAL. 2910/1710 DUPLEX B #7 NBP 6C-30-4	23	540		3297,82
FV291MC-601	FLECK VALV. 2910/1650 12 DAYS DF 3-5-1	23	540		2871,86
FV291MC-602	FLECK VALV. 2910/1710 12 DAYS DF 3C-7-1,2	23	540		2976,52
FV291MC-603	FLECK VALV. 2910/1710 12 DAYS DF 3C-10-2	23	540		2976,52
FV291MC-604	FLECK VALV. 2910/1710 12 DAYS DF 4C-15-2	23	540		2976,52
FV291MC-605	FLECK VALV. 2910/1710 12 DAYS DF 6C-25-4	23	540		2976,52
FV291MC-606	FLECK VALV. 2910/1710 12 DAYS DF 4C-15-2 NBP	23	540		2976,48
FV291MR-600	FLECK VALV. 2910/1650 2" METER 75 M3 3-5-1	23	540		4431,42
FV291MR-601	FLECK VALV. 2910/1710 2" METER 375 M3 3C-7-1,2	23	540		3335,49
FV291MR-602	FLECK VALV. 2910/1710 2" METER 75 M3 3C-7-1,2	23	540		4536,08
FV291SC-600	FLECK VALV. 2910/1650 SXT 3-5-1	23	540		2776,80
FV291SC-601	FLECK VALV. 2910/1710 SXT 3C-7-1,2	23	540		2878,41
FV291SC-602	FLECK VALV. 2910/1710 SXT 4C-10-2	23	540		2878,41
FV291SC-603	FLECK VALV. 2910/1710 SXT 4C-15-2	23	540		2451,23
FV291SC-604	FLECK VALV. 2910/1710 SXT 5C-25-4	23	540		2878,41
FV291NC-600	FLECK VALV. 2910/1650 NXT 3-7-1 NBP	23	540		3304,83

Characteristics	
Tank size (recommended):	Softening System = 14" ÷ 36" Filter = 14" ÷ 24"
In/Out Connections	Threaded 2" BSP F
Pressure vessel connection	Threaded 4" - 8 UN male
Drain line connection	Threaded 1" NPT or BSP
Brine line connection (1650)	Threaded 3/8"
Brine line connection (1710)	Threaded 1/2"
Distributor tube O. D. diameter	50 mm
Operating pressure	1,8 ÷ 8,5 bar
Water Temperature	1 ÷ 40 °C
Protection class	IP22
Height (from top of tank)	305 mm



Ref	Description	Fam.	Subfam.		Price Euro
FV291NC-601	FLECK VALV. 2910/1710 NXT 3C-10-2 NBP	23	540		3406,44
FV291NC-602	FLECK VALV. 2910/1710 NXT 4C-10-2 NBP	23	540		3406,44
FV291NC-603	FLECK VALV. 2910/1710 NXT 4C-15-2 NBP	23	540		2880,72
FV291NC-604	FLECK VALV. 2910/1710 NXT 6C-25-4	23	540		3406,44
FV291NC-605	FLECK VALV. 2910/1710 NXT 6C-25-4 NBP	23	540		3406,44
FV291NC-606	FLECK VALV. 2910/1710 NXT 7C-30-7 NBP	23	540		3406,44
FV291NC-607	FLECK VALV. 2910/1710 NXT 4C-15-2 HW	23	540		4183,51
FV291NC-608	FLECK VALV. 2910/1710 NXT 4C-15-2 HW NBP	23	540		4183,51
FV291NC-609	FLECK VALV. 2910/1710 NXT UF 4C-15-2	23	540		3615,92
FV291NC-610	FLECK VALV. 2910/1710 NXT UF 4C-15-2 NBP	23	540		3615,92
FV291XC-600	FLECK VALV. 2910/1650 NOTIMER 3-5-1 NBP	23	540		2784,04
FV291XC-601	FLECK VALV. 2910/1650 NOTIMER 3-7-1 NBP	23	540		2784,04
FV291XC-602	FLECK VALV. 2910/1710 NOTIMER 4C-10-2 NBP	23	540		2888,70
FV291XC-603	FLECK VALV. 2910/1710 NOTIMER 5C-15-2 NBP	23	540		2888,70
FV291XC-604	FLECK VALV. 2910/1710 NOTIMER 5C-25-4 NBP	23	540		2888,70
FV291XC-605	FLECK VALV. 2910/1710 NOTIMER 7C-30-7 NBP	23	540		2888,70
FV291XC-606	FLECK VALV. 2910/1710 NOTIMER NOPLUG 4C-15-2 NBP	23	540		2802,72
FV291XC-607	FLECK VALV. 2910/1710 NOTIMER NOPLUG 5C-25-2 NBP	23	540		2802,72
FV291XP-600	FLECK VALV. 2910/1700 NOTIMER NOPLUG 6C-25-4-HW	23	540		3603,09

Box: WxLxH	Box: Q.ty	Box: Weight	Pallet: WxLxH	Pallet: Q.ty	Pallet: Weight
	1				

Certificates	Manufacturer	Sectors
DM174-2004 CE, EAC	Pentair	Industrial

Accessories

Ref	Description	Fam.	Subfam.		Price Euro
FVA13640	DOLE 30 GPM 2850/2910	23	590		286,63
FVA25171-1.2	DLFC 1" NPT - 3/4" BSP ASSY 1.2 GPM 2850/2910/950	23	590		79,05
FVA25171-1.5	DLFC 1" NPT - 3/4" BSP ASSY 1.5 GPM 2850/2910/950	23	590		79,05
FVA25171-2	DLFC 1" NPT - 3/4" BSP ASSY 2 GPM 2850/2910/9500	23	590		79,05
FVA25171-2.4	DLFC 1" NPT - 3/4" BSP ASSY 2.4 GPM 2850/2910/950	23	590		79,05
FVA25171-3	DLFC 1" NPT - 3/4" BSP ASSY 3 GPM 2850/2910/9500	23	590		79,05
FVA25171-4	DLFC 1" NPT - 3/4" BSP ASSY 4 GPM 2850/2910/9500	23	590		79,05
FVA25171-5	DLFC 1" NPT - 3/4" BSP ASSY 5 GPM 2850/2910/9500	23	590		79,05
FVA25171-7	DLFC 1" NPT - 3/4" BSP ASSY 7 GPM 2850/2910/9500	23	590		79,05
FVA25581-10	DLFC 1" NPT - 3/4" BSP ASSY 10 GPM 2850/2910/9500	23	590		79,05
FVA25581-12	DLFC 1" NPT - 3/4" BSP ASSY 12 GPM 2850/2910/9500	23	590		79,05
FVA25581-15	DLFC 1" NPT - 3/4" BSP ASSY 15 GPM 2850/2910/9500	23	590		79,05
FVA25581-20	DLFC 1" NPT - 3/4" BSP ASSY 20 GPM 2850/2910/9500	23	590		79,05
FVA25581-25	DLFC 1" NPT - 3/4" BSP ASSY 25 GPM 2850/2910/9500	23	590		79,05
FVA25581-8	DLFC 1" NPT - 3/4" BSP ASSY 8 GPM 2850/2910/9500	23	590		79,05
FVA25581-9	DLFC 1" NPT - 3/4" BSP ASSY 9 GPM 2850/2910/9500	23	590		79,05
FVA25581-ALL	KIT DLFC 1" 2850/2910/9500 10 TO 25 GPM	23	590		167,18
FVA29098	KIT METER SS ASSY 2" NT/NXT	23	590		1082,80
FVA28295	KIT METER ELECTRONIC 2" PLASTIC 2910/3150	23	590		754,23
FVA61763	KIT COMMUNICATION CABLE NXT/NXT2	23	590		59,63



Fleck Industrial Valves Series 3150

- Made in European Union (Italy)
- The 3150 is a fully adjustable 3- or 5-cycle control valve for an efficient and reliable water treatment, suitable for industrial filtration and softening applications. Valve body in brass.
- It is a valve characterized by considerable strength, with a cover non-corrosive, water and UV resistant.
- Down Flow regeneration
- Operating Flow Rate = 22 m³/h (97 gpm)
- Backwash Flow Rate = 24 m³/h (105 gpm)
- Regeneration:
 - - Chronometric: 7 or 12 days
 - - Volumetric: delayed or immediate
 - - Electronics
- Complete with European Transformer 230-24 V / 50/60 Hz 60 VA and 2 "- Kit 8 upper screen.
- NOTE: Adapter for top or side mount is not included, to be ordered separately. For electronic models, the meter is not included, to order separately. For the filter valves, the DLFC is not included, to order separately.
- For NXT multi valve systems, please order (quantity = n-1 valves) the cable kit NXT (ref.FVABU41692) separately;
- OPTIONS:
 - NBP piston
 - Filter;
 - Electronic NXT
 - Mechanical controllers for simplex and duplex
 - Hot water - mechanical only 65° C volumetric or 82° C chronometric.

Ref	Description	Fam.	Subfam.		Price Euro
FV315MC-600	FLECK VALV. 3150 FILTER 12 DAYS	23	545		3942,95
FV315MC-601	FLECK VALV. 3150 FILTER 12 DAYS NBP	23	545		4199,80
FV315NC-600	FLECK VALV. 3150 FILTER NXT	23	545		4271,80
FV315NC-601	FLECK VALV. 3150 FILTER NXT NBP	23	545		4521,14
FV315NC-602	FLECK VALV. 3150 FILTER NXT NBP HW	23	545		5245,08
FV315NC-603	FLECK VALV. 3150/1800 NXT 4-20-5	23	545		4621,02
FV315NC-604	FLECK VALV. 3150/1800 NXT 4-20-5 NBP	23	545		4870,40
FV315NC-605	FLECK VALV. 3150/1800 NXT 5-25-5	23	545		4621,02
FV315NC-606	FLECK VALV. 3150/1800 NXT 5-25-5 NBP	23	545		4870,40
FV315NC-607	FLECK VALV. 3150/1800 NXT 6-35-5	23	545		4621,02

Characteristics	
Tank size (recommended):	Softening System = 24" ÷ 42" (Side mount filter 63") Filter = 24" ÷ 42"
In/Out Connections	Threaded 2" BSP
Pressure vessel connection	Threaded 4" - 8 UN male
Drain line connection	Threaded 2" NPT or BSP
Brine line connection (1800)	Threaded 1" NPT
Distributor tube O. D. diameter	63 mm
Operating pressure	1,8 ÷ 8,5 bar
Water Temperature	1 ÷ 40 °C
Protection class	IP22
Height (from top of tank)	254 mm

Box: WxLxH	Box: Q.ty	Box: Weight	Pallet: WxLxH	Pallet: Q.ty	Pallet: Weight

Certificates	Manufacturer	Sectors
DM174-2004 CE, EAC	Pentair	Industrial



Fleck Industrial Valves Series 3150

Ref	Description	Fam.	Subfam.		Price Euro
FV315NC-608	FLECK VALV. 3150/1800 NXT 6-35-5 NBP	23	545		4870,40
FV315NC-609	FLECK VALV. 3150/1800 NXT 7-50-10	23	545		4621,02
FV315NC-610	FLECK VALV. 3150/1800 NXT 7-50-10 NBP	23	545		4870,40
FV315NC-611	FLECK VALV. 3150/1800 NXT 8-70-10	23	545		4621,02
FV315NC-612	FLECK VALV. 3150/1800 NXT 8-70-10 NBP	23	545		4870,40
FV315NC-613	FLECK VALV. 3150/1800 NXT 9-80-10	23	545		4621,02
FV315NC-614	FLECK VALV. 3150/1800 NXT 9-80-10 NBP	23	545		4870,40
FV315NC-615	FLECK VALV. 3150/1800 NXT 10-100-10	23	545		4621,02
FV315NC-616	FLECK VALV. 3150/1800 NXT 10-100-10 NBP	23	545		4870,40
FV315XC-600	FLECK VALV. 3150/1800 NOTIMER MSWIRED 4-20-5	23	545		4308,74
FV315XC-601	FLECK VALV. 3150/1800 NOTIMER NOPLUG7-50-10 HW	23	545		4874,52
FV315XC-602	FLECK VALV. 3150/1800 NOTIMER MSWIRED 4-20-5 NBP	23	545		4565,59

Box: WxLxH	Box: Q.ty	Box: Weight	Pallet: WxLxH	Pallet: Q.ty	Pallet: Weight

Certificates	Manufacturer	Sectors
DM174-2004 CE, EAC	Pentair	Industrial

Accessories

Ref	Description	Fam.	Subfam.		Price Euro
FVA18023	TANK DAPT ASSY 3150 SM	23	590		369,18
FVA18024	TANK ADAPT ASSY 3150 TM	23	590		369,18
FVA25580-100	DLFC 2" BSP- 2" BSP ASSY 100 GPM 3150/3900	23	590		222,84
FVA25580-20	DLFC 2" BSP- 2" BSP ASSY 20 GPM 3150/3900	23	590		222,84
FVA25580-25	DLFC 2" BSP- 2" BSP ASSY 25 GPM 3150/3900	23	590		222,84
FVA25580-30	DLFC 2" BSP- 2" BSP ASSY 30 GPM 3150/3900	23	590		222,84
FVA25580-35	DLFC 2" BSP- 2" BSP ASSY 35 GPM 3150/3900	23	590		222,84
FVA25580-40	DLFC 2" BSP- 2" BSP ASSY 40 GPM 3150/3900	23	590		222,84
FVA25580-45	DLFC 2" BSP- 2" BSP ASSY 45 GPM 3150/3900	23	590		222,84
FVA25580-50	DLFC 2" BSP- 2" BSP ASSY 50 GPM 3150/3900	23	590		222,84
FVA25580-55	DLFC 2" BSP- 2" BSP ASSY 55 GPM 3150/3900	23	590		222,84
FVA25580-60	DLFC 2" BSP- 2" BSP ASSY 60 GPM 3150/3900	23	590		222,84
FVA25580-65	DLFC 2" BSP- 2" BSP ASSY 65 GPM 3150/3900	23	590		222,84
FVA25580-70	DLFC 2" BSP- 2" BSP ASSY 70 GPM 3150/3900	23	590		222,84
FVA25580-75	DLFC 2" BSP- 2" BSP ASSY 75 GPM 3150/3900	23	590		222,84
FVA25580-80	DLFC 2" BSP- 2" BSP ASSY 80 GPM 3150/3900	23	590		222,84
FVA25580-85	DLFC 2" BSP- 2" BSP ASSY 85 GPM 3150/3900	23	590		222,84
FVA25580-90	DLFC 2" BSP- 2" BSP ASSY 90 GPM 3150/3900	23	590		222,84
FVA25580-95	DLFC 2" BSP- 2" BSP ASSY 95 GPM 3150/3900	23	590		222,84
FVA25580-ALL	DLFC KIT 2" 3150/3900 30 TO 100 GPM 3150/3900	23	590		393,22
FVA29098	KIT METER SS ASSY 2" NT/NXT	23	590		1082,80
FVA28295	KIT METER ELECTRONIC 2" PLASTIC 2910/3150	23	590		754,23
FVA61763	KIT COMMUNICATION CABLE NXT/NXT2	23	590		59,63



Fleck Industrial Valves Series 3900



- Made in European Union (Italy)
- The 3900 is a fully adjustable 3- or 5-cycle control valve for an efficient and reliable water treatment, suitable for industrial and multivalve systems, for filtration and softening applications.
- Valve body in brass.
- It is a valve characterized by considerable strength, with a cover non-corrosive, water and UV resistant.
- Down/Up Flow regeneration, according to the models.
- Operating Flow Rate = 57 m³/h (250 gpm)
- Backwash Flow Rate = 24 m³/h (105 gpm)
- Regeneration: Chronometric: 7 or 12 days - Electronics
- Complete with European Transformer 230-24 V / 50/60 Hz 60 VA
- NOTE: Upper screen is not included, to be ordered separately.
- Adapter for top or side mount is not included, to be ordered separately. For the filter valves, the DLFC is not included, to order separately.
- For NXT multi valve systems, please order (quantity = n-1 valves) the cable kit NXT (ref.FVA61763) separately;
- OPTIONS: NBP piston - Filter - NXT electronics
- Mechanical controllers for simplex and duplex
- Hot water - mechanical only 65° C volumetric or 82° C chronometric.

Ref	Description	Fam.	Subfam.		Price Euro
FV390NC-600	FLECK VALV. 3900 FILTER NXT	23	550		8518,82
FV390NC-601	FLECK VALV. 3900 FILTER NXT NBP	23	550		8518,82
FV390MC-600	FLECK VALV. 3900/1800 12 DAYS NBP 6-35-5	23	550		8923,63
FV390MC-601	FLECK VALV. 3900/1800 12 DAYS NBP 7-50-10	23	550		8923,63
FV390MC-602	FLECK VALV. 3900/1800 12 DAYS 10-100-10	23	550		8923,63
FV390MC-603	FLECK VALV. 3900/1800 12 DAYS UF NBP 7-50-10	23	550		9336,14
FV390NC-602	FLECK VALV. 3900/1800 NXT 6-35-5	23	550		8868,08
FV390NC-603	FLECK VALV. 3900/1800 NXT 7-50-10	23	550		8868,08
FV390NC-604	FLECK VALV. 3900/1800 NXT 8-70-10	23	550		8868,08
FV390NC-605	FLECK VALV. 3900/1800 NXT NBP 5-25-5	23	550		8868,08
FV390NC-606	FLECK VALV. 3900/1800 NXT NBP 6-35-5	23	550		8868,08
FV390NC-607	FLECK VALV. 3900/1800 NXT NBP 7-50-10	23	550		8868,08

Characteristics	
Tank size (recommended):	Softening System = 30" ÷ 42" (30" ÷ 63" side mount) Filter = 24" ÷ 42"
In/Out Connections	Threaded 3" BSP
Pressure vessel connection	Threaded 6" or Side mount
Drain line connection	Threaded 2" NPT or BSP
Brine line connection (1800)	Threaded 1" NPT
Distributor tube O. D. diameter	90 mm
Operating pressure	1,8 ÷ 8,5 bar
Water Temperature	1 ÷ 40 °C
Protection class	IP22
Height (from top of tank)	381 mm

Box: WxLxH	Box: Q.ty	Box: Weight	Pallet: WxLxH	Pallet: Q.ty	Pallet: Weight

Certificates	Manufacturer	Sectors
DM174-2004 CE, EAC	Pentair	Industrial



Ref	Description	Fam.	Subfam.		Price Euro
FV390NC-608	FLECK VALV. 3900/1800 NXT NBP 8-70-10	23	550		8868,08
FV390NC-609	FLECK VALV. 3900/1800 NXT NBP 9-80-10	23	550		8868,08
FV390NC-610	FLECK VALV. 3900/1800 NXT NBP 10-100-10	23	550		8868,08
FV390XC-600	FLECK VALV. 3900/1800 NOTIMER NBP 5-25-5	23	550		8835,80
FV390XC-601	FLECK VALV. 3900/1800 NOTIMER NOPLUG NBP 6-35-5	23	550		8644,66
FV390XC-602	FLECK VALV. 3900/1800 NOTIMER NBP 7-50-10	23	550		8835,80
FV390XC-603	FLECK VALV. 3900/1800 NOTIMER NOPLUG NBP 7-50-10	23	550		8644,66
FV390XC-604	FLECK VALV. 3900/1800 NOTIMER NOPLUG NBP 7-60-10	23	550		8644,66
FV390XC-605	FLECK VALV. 3900/1800 NOTIMER NOPLUG NBP 8-70-10	23	550		8644,66
FV390XC-606	FLECK VALV. 3900/1800 NOTIMER NBP 10-100-10	23	550		8835,80

Box: WxLxH	Box: Q.ty	Box: Weight	Pallet: WxLxH	Pallet: Q.ty	Pallet: Weight

Certificates	Manufacturer	Sectors
DM174-2004 CE, EAC	Pentair	Industrial

Accessories

Ref	Description	Fam.	Subfam.		Price Euro
FVA16258	FLOW DISPERSER 3" 3900	23	590		221,42
FVA18925	TANK ADAPT ASSY 3900 TM FLANGED 6"	23	590		696,83
FVA18926	TANK ADAPT ASSY 3900 SM	23	590		1865,37
FVA25580-100	DLFC 2" BSP- 2" BSP ASSY 100 GPM 3150/3900	23	590		222,84
FVA25580-20	DLFC 2" BSP- 2" BSP ASSY 20 GPM 3150/3900	23	590		222,84
FVA25580-25	DLFC 2" BSP- 2" BSP ASSY 25 GPM 3150/3900	23	590		222,84
FVA25580-30	DLFC 2" BSP- 2" BSP ASSY 30 GPM 3150/3900	23	590		222,84
FVA25580-35	DLFC 2" BSP- 2" BSP ASSY 35 GPM 3150/3900	23	590		222,84
FVA25580-40	DLFC 2" BSP- 2" BSP ASSY 40 GPM 3150/3900	23	590		222,84
FVA25580-45	DLFC 2" BSP- 2" BSP ASSY 45 GPM 3150/3900	23	590		222,84
FVA25580-50	DLFC 2" BSP- 2" BSP ASSY 50 GPM 3150/3900	23	590		222,84
FVA25580-55	DLFC 2" BSP- 2" BSP ASSY 55 GPM 3150/3900	23	590		222,84
FVA25580-60	DLFC 2" BSP- 2" BSP ASSY 60 GPM 3150/3900	23	590		222,84
FVA25580-65	DLFC 2" BSP- 2" BSP ASSY 65 GPM 3150/3900	23	590		222,84
FVA25580-70	DLFC 2" BSP- 2" BSP ASSY 70 GPM 3150/3900	23	590		222,84
FVA25580-75	DLFC 2" BSP- 2" BSP ASSY 75 GPM 3150/3900	23	590		222,84
FVA25580-80	DLFC 2" BSP- 2" BSP ASSY 80 GPM 3150/3900	23	590		222,84
FVA25580-85	DLFC 2" BSP- 2" BSP ASSY 85 GPM 3150/3900	23	590		222,84
FVA25580-90	DLFC 2" BSP- 2" BSP ASSY 90 GPM 3150/3900	23	590		222,84
FVA25580-95	DLFC 2" BSP- 2" BSP ASSY 95 GPM 3150/3900	23	590		222,84
FVA25580-ALL	DLFC KIT 2" 3150/3900 30 TO 100 GPM 3150/3900	23	590		393,22
FVA29082	KIT METER ASSY 3" SS NXT 3900	23	590		2222,57
FVA61763	KIT COMMUNICATION CABLE NXT/NXT2	23	590		59,63



CLACK VALVE WS1TC

CONTROL VALVE



- Top mount control valve suited for automatic residential water softening or filtration system
- Single valve, available also for twin alternating, twin parallel and multitank systems
- Transformer, Drain Line Flow Control (DLFC) washer, Top Distributor and accessories not included, to order separately
- More informative 4 digit LCD Display with Status Indicators
- Solid state microprocessor with easy access front panel settings
- Backwash and brining ability to 21" diameter tanks
- Front panel display for time of day, days until next regeneration
- Days between regeneration feature: 1-99 days standard; 7-day optional
- Double backwash feature offers optimum regeneration, cleaning ability and efficiency
- 10 selectable pre-programmed regeneration cycles
- Coin Cell Lithium battery back-up with a 8 hour carry over
- Auto detection of 50/60 Hz line frequency, with automatic 12/24 hour time keeping formats
- Level VI 15-volt output DC power supply provides safe and easy installation
- Post treated water regenerant refill
- Reliable and proven DC drive
- Certified to NSF/ANSI 44, 61 and 372

Ref	Description	Fam.	Subfam.		Price Euro
V1TCDDT-03	WS1TC VALVE DN T I-D	15	720		462,07
V1TCDDT-M03	WS1TC VALVE DN T I-D W/MIXING VALVE	15	720		508,37
V1TCDE-03	WS1TC VALVE DN T I-E	15	720		462,07
V1TCDE-M03	WS1TC VALVE DN T I-E W/MIXING VALVE	15	720		508,37
V1TCDF-03	WS1TC VALVE DN T I-F	15	720		462,07
V1TCDF-M03	WS1TC VALVE DN T I-F W/MIXING VALVE	15	720		508,37
V1TCBTZ-03	WS1TC VALVE BW T I-Z	15	720		442,46

Ref	Softening System/Filter	Injector Tank Size	Downflow/Upflow	Meter	Mixing Valve
V1TCDDT-03	Softening System	9"	Downflow	Not included	Not included
V1TCDDT-M03	Softening System	9"	Downflow	Not included	included
V1TCDE-03	Softening System	10"	Downflow	Not included	Not included
V1TCDE-M03	Softening System	10"	Downflow	Not included	included
V1TCDF-03	Softening System	12"	Downflow	Not included	Not included
V1TCDF-M03	Softening System	12"	Downflow	Not included	included
V1TCBTZ-03	Filter	N/A	Backwash	Not included	Not included

- **NOTE:**Controls listed are priced without a power cord or transformer. For AC Adapter (Transformer) selection see "ACCESSORIES" section (V3186-XX). Drain Line Flow Controls (DLFC) washer is not included. Please order separately: reference order number V3162-007 through V3162-100. 1,05" Top Distributor is not included. Please order separately: reference order number AV071.

Box: WxLxH	Box: Q.ty	Box: Weight	Pallet: WxLxH	Pallet: Q.ty	Pallet: Weight
	4			160	

Certificates	Manufacturer	Sectors
DM174-2004, ACS, CE	Clack	Domestic



SPECIFIC		FLOW RATES	
Inlet/Outlet Fittings (to order separately)	¾" to 1,25" male BST	Service Δp 1 bar/15 psi drop (includes bypass)	6,12 m ³ /h
Cycles	Up to 6	Backwash Δp 1,7 bar/25 psi drop (includes bypass)	6,12 m ³ /h
Valve Material	Noryl or equivalent	Cv Service	7,0
Regeneration	Downflow or Upflow	Cv Backwash	5,4

OPERATING PRESSURES		OPERATING TEMPERATURES	
Minimum/Maximum	1,4 ÷ 8,6 bar	Minimum/Maximum	4° ÷ 43° C

Distributor Pilot	1,05"
Drain Line	¾" or 1" NPT
Brine Line	¾" or ½" OD Poly Tube
Mounting Base	2 ½" - 8 NPSM
Distributor tube length above pressure vessel	+/- 13 mm
Weight	2 kg

ELECTRICAL SPECIFICATIONS		TANK APPLICATIONS	
Supply Voltage	200V AC to 240V AC	Water Softener	6" ÷ 21" diameter
Supply Frequency	50/60 Hz	Water Filter	6" ÷ 21" diameter
Output Voltage	15VDC		
Output Current	500 mA		

CYCLES OF OPERATION (Softener Downflow)	
Backwash 1st (upflow)	3 ÷ 12 minutes
Regenerate Draw/Slow Rinse (downflow)	50 ÷ 70 minutes
Backwash 2nd (upflow)	3 ÷ 12 minutes
Fast Rinse (downflow)	3 ÷ 8 minutes
Regenerant Refill (in service with treated water)	As Programmed
Service (downflow)	

Options: Backwash Filter, Bypass, Weather Cover

Compatible with the following typical concentration of regenerants or chemicals: Sodium chloride, potassium chloride, potassium permanganate, sodium bisulfite, chlorine and chloramines



CLACK VALVE WS1EI

CONTROL VALVE



- Top mount control valve suited for automatic residential water softening or filtration system.
- Single valve, available also for twin alternating, twin parallel and multitank systems.
- Transformer, Drain Line Flow Control (DLFC) washer, Top Distributor and accessories not included, to order separately.
- Solid state microprocessor with easy access front panel setting.
- Front panel display for time of day, days until next regeneration, volume remaining, current flow rate and total volume used (Totalizer).
- Four methods to initiate regeneration; meter immediate, meter delayed, time clock delayed or pressure differential.
- Optional double backwash feature offers optimum regeneration, cleaning ability and efficiency.
- Fully adjustable cycle times with 6-cycle control delivers controlled backwash, downflow brining/slow rinse, second backwash, fast rinse, refill and downflow service.
- Coin Cell Lithium battery back-up with an 8 hour carry over.
- Level VI 15-volt output DC power supply provides safe and easy installation.
- Control valve design provides optimum service and backwash rates.
- Post treated water regenerant refill.
- Reliable and proven DC drive.
- Certified to NSF/ANSI 44, 61 and 372.

Ref	Description	Fam.	Subfam.		Price Euro
V1EIDMC-03	WS1EI VALVE DN M I-C	15	710		625,02
V1EIDMC-M03	WS1EI VALVE DN M I-C W/MIXING VALVE	15	710		671,28
V1EIDMD-03	WS1EI VALVE DN M I-D	15	710		625,02
V1EIDMD-M03	WS1EI VALVE DN M I-D W/MIXING VALVE	15	710		671,28
V1EIDME-03	WS1EI VALVE DN M I-E	15	710		625,02
V1EIDME-M03	WS1EI VALVE DN M I-E W/MIXING VALVE	15	710		671,28
V1EIDMF-03	WS1EI VALVE DN M I-F	15	710		625,02
V1EIDMF-M03	WS1EI VALVE DN M I-F W/MIXING VALVE	15	710		671,28
V1EIUMA-03	WS1EI VALVE UP M I-A	15	710		671,28
V1EIUMA-M03	WS1EI VALVE UP M I-A W/MIXING VALVE	15	710		695,87
V1EIUMB-03	WS1EI VALVE UP M I-B	15	710		649,56
V1EIUMB-M03	WS1EI VALVE UP M I-B W/MIXING VALVE	15	710		695,87
V1EIUMC-03	WS1EI VALVE UP M I-C	15	710		649,56
V1EIUMC-M03	WS1EI VALVE UP M I-C W/MIXING VALVE	15	710		695,87
V1EIDTE-03	WS1EI VALVE DN T I-E	15	710		583,40
V1EIDTE-M03	WS1EI VALVE DN T I-E W/MIXING VALVE	15	710		629,63
V1EIBMZ-03	WS1EI VALVE BW M I-Z	15	710		605,22
V1EIBTZ-03	WS1EI VALVE BW T I-Z	15	710		563,61



CLACK VALVE WS1EI

Ref	Softening System/Filter	Injector Tank Size	Downflow/Upflow	Meter	Mixing Valve
V1EIDMC-03	Softening System	8"	Downflow	included	Not included
V1EIDMC-M03	Softening System	8"	Downflow	included	included
V1EIDMD-03	Softening System	9"	Downflow	included	Not included
V1EIDMD-M03	Softening System	9"	Downflow	included	included
V1EIDME-03	Softening System	10"	Downflow	included	Not included
V1EIDME-M03	Softening System	10"	Downflow	included	included
V1EIDMF-03	Softening System	12"	Downflow	included	Not included
V1EIDMF-M03	Softening System	12"	Downflow	included	included
V1EIUMA-03	Softening System	8"	Upflow	included	Not included
V1EIUMA-M03	Softening System	8"	Upflow	included	included
V1EIUMB-03	Softening System	9"	Upflow	included	Not included
V1EIUMB-M03	Softening System	9"	Upflow	included	included
V1EIUMC-03	Softening System	10"	Upflow	included	Not included
V1EIUMC-M03	Softening System	10"	Upflow	included	included
V1EIDTE-03	Softening System	10"	Downflow	Not included	Not included
V1EIDTE-M03	Softening System	10"	Downflow	Not included	included
V1EIBMZ-03	Filter	N/A	Backwash	included	Not included
V1EIBTZ-03	Filter	N/A	Backwash	Not included	Not included

- **NOTE:**Controls listed are priced without a power cord or transformer. For AC Adapter (Transformer) selection see "ACCESSORIES" section (V3186-XX). Drain Line Flow Controls (DLFC) washer is not included. Please order separately: reference order number V3162-007 through V3162-100. 1.05" Top Distributor is not included. Please order separately: reference order number AV071.

Box: WxLxH	Box: Q.ty	Box: Weight	Pallet: WxLxH	Pallet: Q.ty	Pallet: Weight
	4			160	

Certificates	Manufacturer	Sectors
DM174-2004, ACS, CE	Clack	Domestic



CLACK VALVE WS1E1

SPECIFIC		FLOW RATES	
Inlet/Outlet Fittings (to order separately)	¾" to 1,25" male BST	Service Δp 1 bar/15 psi drop (includes bypass and meter)	6,12 m ³ /h
Cycles	Up to 6	Backwash Δp 1,7 bar/25 psidrop (includes bypass)	6,12 m ³ /h
Valve Material	Noryl or equivalent	CV Service	7,0
Regeneration	Downflow or Upflow	CV Backwash	5,4

OPERATING PRESSURES		OPERATING TEMPERATURES	
Minimum/Maximum	1,4 ÷ 8,6 bar	Minimum/Maximum	4° ÷ 43° C

METER			
Accuracy	± 5%	Distributor Pilot	1,05" OD Pipe
Flow Rate Range	0,95 ÷ 102 lpm	Drain Line	¾" or 1" NPT
Volume Range	0,02 ÷ 5.700 m ³	Brine Line	3/8" or ½" OD Poly Tube
Totalizer	0,001 - 9.99.999 m ³	Mounting Base	2 ½" - 8 NPSM
		Distributor tube length above pressure vessel	+/- 13 mm
		Weight	2 kg

ELECTRICAL SPECIFICATIONS		TANK APPLICATIONS	
Supply Voltage	200V AC to 240V AC	Water Softener	6" ÷ 21" diameter
Supply Frequency	50/60 Hz	Water Filter	6" ÷ 21" diameter
Output Voltage	15VDC		
Output Current	500 mA		

CYCLES OF OPERATION	
Backwash 1st (upflow)	1 ÷ 95 minutes - Backwash 1-9
Regenerate Draw/Slow Rinse (downflow)	1 ÷ 180 minutes
Backwash 2nd (upflow)	1 ÷ 95 minutes - Rinse 1-9
Fast Rinse (downflow)	1 ÷ 95 minutes
Regenerant Refill (in service with treated water)	0,1 ÷ 99 minutes
Service (downflow)	

Options: Backwash Filter, Weather Cover

Compatible with the following typical concentrations of regenerants or chemicals: Sodium chloride, potassium chloride, potassium permanganate, sodium bisulfite, chlorine and chloramines.



CLACK VALVE TT1EI

TWIN ALTERNATING CONTROL VALVE



- Transformer, Drain Line Flow Control (DLFC) washer, Top Distributor and accessories not included, to order separately;
- Solid state microprocessor with easy access front panel setting
- Front panel display for time of day, days until next regeneration, volume remaining, current flow rate and total volume used (Totalizer) and Tank in Service Indication;
- Four methods to initiate regeneration; meter immediate, meter delayed, time clock delayed or pressure differential
- Optional double backwash feature offers optimum regeneration, cleaning ability and efficiency
- Fully adjustable cycle times with 6-cycle control delivers controlled backwash, downflow brining/slow rinse, second backwash, fast rinse, refill and downflow service
- Coin Cell Lithium battery back-up with an 8 hour carry over
- Level VI 15-volt output DC power supply provides safe and easy installation
- Control valve design provides optimum service and backwash rates
- Post treated water regenerant refill
- Reliable and proven DC drive
- Certified to NSF/ANSI 44, 61 and 372.
- If you need a different Injector Tank Size, please order separately the relevant Injector and the ref. V4052-01 (Interconnect Kit).

Ref	Description	Fam.	Subfam.		Price Euro
VTT1EIDME-03	TT1EI VALVE DN M I-E	15	710		1192,76

Ref	Softening System/Filter	Ø Injector Tank Size	Downflow/Upflow	Meter	Mixing Valve
VTT1EIDME-03	Softening System	10"	Downflow	included	Not included

NOTE: Controls listed are priced without a power cord or transformer. For AC Adapter (Transformer) selection see "ACCESSORIES" section (V3186-XX). Drain Line Flow Controls (DLFC) washer is not included. Please order separately: reference order number V3162-007 through V3162-100. 1,05" Top Distributors are not included. Please order separately: reference order number AV071.

Box: WxLxH	Box: Q.ty	Box: Weight	Pallet: WxLxH	Pallet: Q.ty	Pallet: Weight
	1				

Certificates	Manufacturer	Sectors
DM174-2004, ACS, CE	Clack	Domestic



CLACK VALVE WS1CI

CONTROL VALVE



- Top mount control valve suited for automatic residential water softening or filtration system
- Single valve, available also for twin alternating, twin parallel and multitank systems
- Transformer, Drain Line Flow Control (DLFC) washer, Top Distributor and accessories not included, to order separately
- Solid state microprocessor with easy access front panel settings
- Four methods to initiate regeneration; meter immediate, meter delayed, time clock delayed or pressure differential
- Program in ppm, French degrees, German degrees, or cubic meters
- Fully programmable regeneration cycle sequence (maximum 9)
- Programmable regeneration cycle times
- Days override feature; 1 - 28 days available
- Stores system configuration and operation data in nonvolatile memor
- Coin Cell Lithium battery back-up with a 24 hour carry over
- Level VI 15-volt output DC power supply provides safe and easy installation
- Control valve design provides optimum service and backwash rates
- Pre or Post treated water regenerant refill
- Mixing valve option available
- Low salt alarm
- 24-hour clock
- Reliable and proven DC drive
- Certified to NSF/ANSI 44, 61 and 372

Ref	Description	Fam.	Subfam.		Price Euro
V1CIDMC-03	WS1CI VALVE DN M I-C	15	700		642,95
V1CIDMC-M03	WS1CI VALVE DN M I-C W/MIXING VALVE	15	700		689,26
V1CIDMD-03	WS1CI VALVE DN M I-D	15	700		642,95
V1CIDMD-M03	WS1CI VALVE DN M I-D W/MIXING VALVE	15	700		689,26
V1CIDME-03	WS1CI VALVE DN M I- E	15	700		642,99
V1CIDME-M03	WS1CI VALVE DN M I- E W/MIXING VALVE	15	700		689,26
V1CIDMF-03	WS1CI VALVE DN M I-F	15	700		642,95
V1CIDMF-M03	WS1CI VALVE DN M I-F W/MIXING VALVE	15	700		689,26
V1CIUMA-03	WS1CI VALVE UP M I-A	15	700		667,58
V1CIUMA-M03	WS1CI VALVE UP M I-A W/MIXING VALVE	15	700		713,84
V1CIUMB-03	WS1CI VALVE UP M I-B	15	700		667,58
V1CIUMB-M03	WS1CI VALVE UP M I-B W/MIXING VALVE	15	700		713,84
V1CIUMC-03	WS1CI VALVE UP M I-C	15	700		667,58
V1CIUMC-M03	WS1CI VALVE UP M I-C W/MIXING VALVE	15	700		713,84
V1CIDTE-03	WS1CI VALVE DN T I-E	15	700		601,30
V1CIDTE-M03	WS1CI VALVE DN T I-E W/MIXING VALVE	15	700		647,60
V1CIBMZ-03	WS1CI VALVE BW M I-Z	15	700		623,20
V1CIBTZ-03	WS1CI VALVE BW T I-Z	15	700		581,58



CLACK VALVE WS1CI

Ref	Softening System/Filter	Injector Tank Size	Downflow/Upflow	Meter	Mixing Valve
V1CIDMC-03	Softening System	8"	Downflow	included	Not included
V1CIDMC-M03	Softening System	8"	Downflow	included	included
V1CIDMD-03	Softening System	9"	Downflow	included	Not included
V1CIDMD-M03	Softening System	9"	Downflow	included	included
V1CIDME-03	Softening System	10"	Downflow	included	Not included
V1CIDME-M03	Softening System	10"	Downflow	included	included
V1CIDMF-03	Softening System	12"	Downflow	included	Not included
V1CIDMF-M03	Softening System	12"	Downflow	included	included
V1CIUMA-03	Softening System	8"	Upflow	included	Not included
V1CIUMA-M03	Softening System	8"	Upflow	included	included
V1CIUMB-03	Softening System	9"	Upflow	included	Not included
V1CIUMB-M03	Softening System	9"	Upflow	included	included
V1CIUMC-03	Softening System	10"	Upflow	included	Not included
V1CIUMC-M03	Softening System	10"	Upflow	included	included
V1CIDTE-03	Softening System	10"	Downflow	Not included	Not included
V1CIDTE-M03	Softening System	10"	Downflow	Not included	included
V1CIBMZ-03	Filter	N/A	Backwash	included	Not included
V1CIBTZ-03	Filter	N/A	Backwash	Not included	Not included

- **NOTE:** Controls listed are priced without a power cord or transformer. For AC Adapter (Transformer) selection see "ACCESSORIES" section (V3186-XX). Drain Line Flow Controls (DLFC) washer is not included. Please order separately: reference order number V3162-007 through V3162-100. 1,05" Top Distributor is not included. Please order separately: reference order number AV071.

Box: WxLxH	Box: Q.ty	Box: Weight	Pallet: WxLxH	Pallet: Q.ty	Pallet: Weight
	4			160	

Certificates	Manufacturer	Sectors
DM174-2004, ACS, CE	Clack	Domestic



CLACK VALVE WS1CI

SPECIFIC		FLOW RATES	
Inlet/Outlet Fittings (to order separately)	¾" to 1,25" male BST	Service Δp 15 psi/1 bar drop (includes bypass and meter)	6,12 m ³ /h
Cycles	Up to 9	Backwash Δp 25 psi/1.7 bar drop (includes bypass)	6,12 m ³ /h
Valve Material	Noryl or equivalent	Cv Service	7,0
Regeneration	Downflow or Upflow	Cv Backwash	5,4

OPERATING PRESSURES		OPERATING TEMPERATURES	
Minimum/Maximum	1,4 ÷ 8,6 bar	Minimum/Maximum	4° ÷ 43° C

METER			
Accuracy	± 5%	Distributor Pilot	1,05"
Flow Rate Range	0,95 ÷ 102 lpm	Drain Line	¾" or 1" NPT
Volume Range	0,02 ÷ 5.700 m ³	Brine Line	3/8" or ½" OD Poly Tube
Totalizer	1 - 99.999 m ³	Mounting Base	2 ½" - 8 NPSM
		Distributor tube length above pressure vessel	+/- 13 mm
		Weight	2 kg

ELECTRICAL SPECIFICATIONS		TANK APPLICATIONS	
Supply Voltage	da 200V AC a 240V AC	Water Softener	6" ÷ 21" diameter
Supply Frequency	50/60 Hz	Water Filter	6" ÷ 21" diameter
Output Voltage	15VDC		
Output Current	500 mA		

CYCLES OF OPERATION	
Choose up to nine regeneration cycles, in any order, with a wide range of available values	
Backwash	1 ÷ 120 minutes
Rinse	1 ÷ 120 minutes
Pause (service)	1 ÷ 480 minutes
Brine (co-current)	1 ÷ 180 minutes
Brine (counter-current)	1 ÷ 180 minutes
Refill (softener)	0,05 ÷ 90,00 kg
Refill (filter)	0,2 ÷ 76,0 liters

Options: Backwash Filter, Bypass, Weather Cover

Compatible with the following typical concentrations of regenerants or chemicals: Sodium chloride, potassium chloride, potassium permanganate, sodium bisulfite, chlorine and chloramines



CLACK VALVE TT1CI

CONTROL VALVE



- Transformer, Drain Line Flow Control (DLFC) washer, Top Distributor and accessories not included, to order separately;
- Solid state microprocessor with easy access front panel settings
- Four methods to initiate regeneration; meter immediate, meter delayed, time clock delayed or pressure differential
- Program in ppm, French degrees, German degrees, or cubic meters
- Fully programmable regeneration cycle sequence (maximum 9)
- Programmable regeneration cycle times
- Days override feature; 1 - 28 days available
- Stores system configuration and operation data in nonvolatile memory
- Coin Cell Lithium battery back-up with a 24 hour carry over
- Level VI 15-volt output DC power supply provides safe and easy installation
- Control valve design provides optimum service and backwash rates
- Pre or Post treated water regenerant refill
- Mixing valve option available
- Low salt alarm
- 24-hour clock
- Reliable and proven DC drive
- Certified to NSF/ANSI 44, 61 and 372

If you need a different Injector Tank Size, please order separately the relevant Injector and the ref. V4052-01 (Interconnect Kit)

Ref	Description	Fam.	Subfam.		Price Euro
VTT1CIDME-03	TT1CI VALVE DN M I-E	15	700		1210,70

Ref	Softening System/Filter	Ø Injector Tank Size	Downflow/Upflow	Meter	Mixing Valve
VTT1CIDME-03	Softening System	10"	Downflow	included	Not included

NOTE: Controls listed are priced without a power cord or transformer. For AC Adapter (Transformer) selection see "ACCESSORIES" section (V3186-XX). Drain Line Flow Controls (DLFC) washer is not included. Please order separately: reference order number V3162-007 through V3162-100. 1,05" Top Distributors are not included. Please order separately: reference order number AV071.

Box: WxLxH	Box: Q.ty	Box: Weight	Pallet: WxLxH	Pallet: Q.ty	Pallet: Weight
	1				

Certificates	Manufacturer	Sectors
DM174-2004, ACS, CE	Clack	Domestic



CLACK VALVE WS125TC

CONTROL VALVE



- Top mount control valve suited for automatic residential water softening or filtration system
- Single valve, available also for twin alternating, twin parallel and multitank systems
- Transformer, Drain Line Flow Control (DLFC) washer, Top Distributor and accessories not included, to order separately
- More informative 4 digit LCD Display with Status Indicators
- Solid state microprocessor with easy access front panel setting
- Front panel display for time of day, days until next regeneration
- Days between regeneration feature: 1-99 days standard; 7-day optional
- Double backwash feature offers optimum regeneration, cleaning ability and efficiency
- 10 selectable pre-programmed regeneration cycles
- Coin Cell Lithium battery back-up with a 8 hour carry over
- Auto detection of 50/60 Hz line frequency, with automatic 12/24 hour time keeping formats
- Level VI 15-volt output DC power supply provides safe and easy installation
- Post treated water regenerant refill
- Reliable and proven DC drive
- Certified to NSF/ANSI 44, 61 and 372

Ref	Description	Fam.	Subfam.		Price Euro
V125CDTE-08	WS125TC VALVE DN T I-E	15	750		581,26
V125CDTE-M08	WS125TC VALVE DN T I-E W/MIXING VALVE	15	750		627,56
V125CDTF-08	WS125TC VALVE DN T I-F	15	750		581,26
V125CDTF-M08	WS125TC VALVE DN T I-F W/MIXING VALVE	15	750		627,56
V125CDTG-08	WS125TC VALVE DN T I-G	15	750		581,26
V125CDTG-M08	WS125TC VALVE DN T I-G W/MIXING VALVE	15	750		627,56
V125CBTZ-08	WS125TC VALVE BW T I-Z	15	750		561,65

Ref	Softening System/Filter	Ø Injector Tank Size	Downflow/Upflow	Meter	Mixing Valve
V125CDTE-08	Softening System	10"	Downflow	Not included	Not included
V125CDTE-M08	Softening System	10"	Downflow	Not included	included
V125CDTF-08	Softening System	12"	Downflow	Not included	Not included
V125CDTF-M08	Softening System	12"	Downflow	Not included	included
V125CDTG-08	Softening System	13"	Downflow	Not included	Not included
V125CDTG-M08	Softening System	13"	Downflow	Not included	included
V125CBTZ-08	Filter	N/A	Backwash	Not included	Not included

NOTE: Controls listed are priced without a power cord or transformer. For AC Adapter (Transformer) selection see "ACCESSORIES" section (V3186-XX). Drain Line Flow Controls (DLFC) washer is not included. Please order separately: reference order number V3162-007 through V3162-100.32 mm Top Distributor is not included. Please order separately: reference order number V-D1203-03.

Box: WxLxH	Box: Q.ty	Box: Weight	Pallet: WxLxH	Pallet: Q.ty	Pallet: Weight
	2			96	

Certificates	Manufacturer	Sectors
DM174-2004, ACS, CE	Clack	Domestic



CLACK VALVE WS125TC

SPECIFIC		FLOW RATES	
Inlet/Outlet Fittings (to order separately)	1" to 1,5" male BSPT	Service Δp 15 psi drop	34 gpm
Cycles	6	Backwash Δp 25 psi drop	32 gpm
Valve Material	Noryl or equivalent	Cv Service	8,8
Regeneration	Downflow	Cv Backwash	6,4

OPERATING PRESSURES		TEMPERATURA DI ESERCIZIO	
Minimum/Maximum	20 psi - 125 psi	Minimum/Maximum	4° + 43° C

Distributor Pilot	32 mm OD Pipe
Drain Line	¾" or 1" NPT
Brine Line	3/8" or ½" OD Poly Tube
Mounting Base	2½" 8 NPSM
Distributor tube length above pressure vessel	+6 / - 13 mm
Weight	2 kg

ELECTRICAL SPECIFICATIONS		TANK APPLICATIONS	
Supply Voltage	da 200V AC a 240V AC	Water Softener	6" ÷ 21" diameter
Supply Frequency	50/60 Hz	Water Filter	6" ÷ 24" diameter
Output Voltage	15VDC		
Output Current	500 mA		

CYCLES OF OPERATION (Softener Downflow)	
Backwash 1st(upflow)	3 ÷ 12 minutes
Regenerate Draw/Slow Rinse (downflow)	50 ÷ 70 minutes
Backwash 2nd (upflow)	3 ÷ 12 minutes
Fast Rinse (downflow)	3 ÷ 8 minutes
Regenerant Refill (in service with treated water)	As Programmed
Service (downflow)	

Options: Backwash Filter, Bypass, Weather Cover

Compatible with the following typical concentration of regenerants or chemicals: Sodium chloride, potassium chloride, potassium permanganate, sodium bisulfite, chlorine and chloramines



CLACK VALVE WS125EI

CONTROL VALVE



- Top mount control valve suited for automatic residential water softening or filtration system
- Single valve, available also for twin alternating, twin parallel and multitank systems
- Transformer, Drain Line Flow Control (DLFC) washer, Top Distributor and accessories not included, to order separately
- Solid state microprocessor with easy access front panel setting.
- Front panel display for time of day, days until next regeneration, volume remaining, current flow rate and total volume used (Totalizer)
- Four methods to initiate regeneration; meter immediate, meter delayed, time clock delayed or pressure differential
- Optional double backwash feature offers optimum regeneration, cleaning ability and efficiency
- Fully adjustable cycle times with 6-cycle control delivers controlled backwash, downflow brining/slow rinse, second backwash, fast rinse, refill and downflow service
- Coin Cell Lithium battery back-up with an 8 hour carry over
- Level VI 15-volt output DC power supply provides safe and easy installation
- Control valve design provides optimum service and backwash rates
- Post treated water regenerant refill
- Certified to NSF/ANSI 44, 61 and 372

Ref	Description	Fam.	Subfam.		Price Euro
V125EIDME-08	WS125EI VALVE DN M I-E	15	740		744,20
V125EIDME-M08	WS125EI VALVE DN M I-E W/MIXING VALVE	15	740		790,46
V125EIDMF-08	WS125EI VALVE DN M I-F	15	740		744,20
V125EIDMF-M08	WS125EI VALVE DN M I-F W/MIXING VALVE	15	740		790,46
V125EIDMH-08	WS125EI VALVE DN M I-H	15	740		744,20
V125EIDMH-M08	WS125EI VALVE DN M I-H W/MIXING VALVE	15	740		790,46
V125EIDMI-08	WS125EI VALVE DN M I-I	15	740		744,20
V125EIDMI-M08	WS125EI VALVE DN M I-I W/MIXING VALVE	15	740		790,46
V125EIDMK-08	WS125EI VALVE DN M I-K	15	740		744,20
V125EIDMK-M08	WS125EI VALVE DN M I-K W/MIXING VALVE	15	740		790,46
V125EIUMD-08	WS125EI VALVE UP M I-D	15	740		768,79
V125EIUMD-M08	WS125EI VALVE UP M I-D W/MIXING VALVE	15	740		815,01
V125EIUMF-08	WS125EI VALVE UP M I-F	15	740		768,79
V125EIUMF-M08	WS125EI VALVE UP M I-F W/MIXING VALVE	15	740		815,01
V125EIDTF-08	WS125EI VALVE DN T I-F	15	740		702,58
V125EIDTF-M08	WS125EI VALVE DN T I-F W/MIXING VALVE	15	740		748,81
V125EIBMZ-08	WS125EI VALVE BW M I-Z	15	740		724,44
V125EIBTZ-08	WS125EI VALVE BW T I-Z	15	740		682,79



CLACK VALVE WS125EI

Ref	Softening System/Filter	Ø Injector Tank Size	Downflow/Upflow	Meter	Mixing Valve
V125EIDME-08	Softening System	10"	Downflow	included	Not included
V125EIDME-M08	Softening System	10"	Downflow	included	included
V125EIDMF-08	Softening System	12"	Downflow	included	Not included
V125EIDMF-M08	Softening System	12"	Downflow	included	included
V125EIDMH-08	Softening System	14"	Downflow	included	Not included
V125EIDMH-M08	Softening System	14"	Downflow	included	included
V125EIDMI-08	Softening System	16"	Downflow	included	Not included
V125EIDMI-M08	Softening System	16"	Downflow	included	included
V125EIDMK-08	Softening System	21"	Downflow	included	Not included
V125EIDMK-M08	Softening System	21"	Downflow	included	included
V125EIUMD-08	Softening System	12"	Upflow	included	Not included
V125EIUMD-M08	Softening System	12"	Upflow	included	included
V125EIUMF-08	Softening System	14"	Upflow	included	Not included
V125EIUMF-M08	Softening System	14"	Upflow	included	included
V125EIDTF-08	Softening System	12"	Downflow	Not included	Not included
V125EIDTF-M08	Softening System	12"	Downflow	Not included	included
V125EIBMZ-08	Filter	N/A	Backwash	included	Not included
V125EIBTZ-08	Filter	N/A	Backwash	Not included	Not included

NOTA: Controls listed are priced without a power cord or transformer. For AC Adapter (Transformer) selection see "ACCESSORIES" section (V3186-XX). Drain Line Flow Controls (DLFC) washer is not included. Please order separately: reference order number V3162-007 through V3162-100. 32 mm Top Distributor is not included. Please order separately: reference order number V-D1203-03.

Box: WxLxH	Box: Q.ty	Box: Weight	Pallet: WxLxH	Pallet: Q.ty	Pallet: Weight
	2			96	

Certificates	Manufacturer	Sectors
DM174-2004, ACS, CE	Clack	Domestic



CLACK VALVE WS125EI

SPECIFIC		FLOW RATES	
Inlet/Outlet Fittings (to order separately)	1" to 1,5" masle BSPT	Service Δp 15 psi/1 bar drop (includes meter)	7,7 m ³ /h
Cycles	up to 6	Backwash con Δp 25 psi/1.7 bar drop	7,3 m ³ /h
Valve Material	Noryl or equivalent	CV Service	8,8
Regeneration	Downflow or Upflow	CV Backwash	6,4

OPERATING PRESSURES		OPERATING TEMPERATURES	
Minimum/Maximum	1,4 ÷ 8,6 bar	Minimum/Maximum	4° ÷ 43° C

METER			
Accuracy	± 5%	Distributor Pilot	32 mm OD Pipe
Flow Rate Range	0,95 ÷ 129 lpm	Drain Line	¾" or 1" NPT
Volume Range	0,02 ÷ 5.700 m ³	Brine Line	3/8" or ½" OD Poly Tube
Totalizer	0,001 - 9.999.000 m ³	Mounting Base	2½" 8 NPSM
		Distributor tube length above pressure vessel	+6 / -13 mm
		Weight	2 kg

ELECTRICAL SPECIFICATIONS		TANK APPLICATIONS	
Supply Voltage	200V AC to 240V AC	Water Softener	6" ÷ 21" diameter
Supply Frequency	50/60 Hz	Water Filter	6" ÷ 24" diameter
Output Voltage	15VDC		
Output Current	500 mA		

CYCLES OF OPERATION	
Backwash 1st (upflow)	1 ÷ 95 minutes
Regenerate Draw/Slow Rinse (downflow)	1 ÷ 180 minutes
Backwash 2nd (upflow)	1 ÷ 95 minutes
Fast Rinse (downflow)	1 ÷ 95 minutes
Regenerant Refill (in service with treated water)	0,1 ÷ 99 minutes
Service (downflow)	

Options: Backwash Filter, Weather Cover

Compatible with the following typical concentrations of regenerants or chemicals: Sodium chloride, potassium chloride, potassium permanganate, sodium bisulfite, chlorine and chloramines



CLACK VALVE WS125CI

CONTROL VALVE



- Top mount control valve suited for automatic residential water softening or filtration system
- Single valve, available also for twin alternating, twin parallel and multitank systems
- Transformer, Drain Line Flow Control (DLFC) washer, Top Distributor and accessories not included, to order separately
- Solid state microprocessor with easy access front panel settings.
- Four methods to initiate regeneration; meter immediate, meter delayed, time clock delayed or pressure differential
- Program in ppm, French degrees, German degrees, or cubic meters
- Fully programmable regeneration cycle sequence (maximum 9)
- Programmable regeneration cycle times
- Days override feature; 1 - 28 days available
- Stores system configuration and operation data in nonvolatile memory
- Coin Cell Lithium battery back-up with a 24 hour carry over
- Level VI 15-volt output DC power supply provides safe and easy installation
- Control valve design provides optimum service and backwash rates
- Pre or Post treated water regenerant refill
- Mixing valve option available
- Low salt alarm
- 24-hour clock
- Reliable and proven DC drive
- Certified to NSF/ANSI 44, 61 and 37

Ref	Description	Fam.	Subfam.		Price Euro
V125CIDME-08	WS125CI VALVE DN M I-E	15	730		762,14
V125CIDME-M08	WS125CI VALVE DN M I-E W/MIXING VALVE	15	730		808,40
V125CIDMF-08	WS125CI VALVE DN M I-F	15	730		762,14
V125CIDMF-M08	WS125CI VALVE DN M I-F W/MIXING VALVE	15	730		808,40
V125CIDMH-08	WS125CI VALVE DN M I-H	15	730		762,14
V125CIDMH-M08	WS125CI VALVE DN M I-H W/MIXING VALVE	15	730		808,40
V125CIDMI-08	WS125CI VALVE DN M I-I	15	730		762,14
V125CIDMI-M08	WS125CI VALVE DN M I-I W/MIXING VALVE	15	730		808,40
V125CIDMK-08	WS125CI VALVE DN M I-K	15	730		762,14
V125CIDMK-M08	WS125CI VALVE DN M I-K W/MIXING VALVE	15	730		808,40
V125CIUMD-08	WS125CI VALVE UP M I-D	15	730		786,72
V125CIUMD-M08	WS125CI VALVE UP M I-D W/MIXING VALVE	15	730		832,99
V125CIUMF-08	WS125CI VALVE UP M I-F	15	730		786,72
V125CIUMF-M08	WS125CI VALVE UP M I-F W/MIXING VALVE	15	730		832,99
V125CIDTF-08	WS125CI VALVE DN T I-F	15	730		720,52
V125CIDTF-M08	WS125CI VALVE DN T I-F W/MIXING VALVE	15	730		766,75
V125CIBMZ-08	WS125CI VALVE BW M I-Z	15	730		742,38
V125CIBTZ-08	WS125CI VALVE BW T I-Z	15	730		700,77



CLACK VALVE WS125CI

Ref	Softening System/Filter	Ø Injector Tank Size	Downflow/Upflow	Meter	Mixing Valve
V125CIDME-08	Softening System	10"	Downflow	included	Not included
V125CIDME-M08	Softening System	10"	Downflow	included	included
V125CIDMF-08	Softening System	12"	Downflow	included	Not included
V125CIDMF-M08	Softening System	12"	Downflow	included	included
V125CIDMH-08	Softening System	14"	Downflow	included	Not included
V125CIDMH-M08	Softening System	14"	Downflow	included	included
V125CIDMI-08	Softening System	16"	Downflow	included	Not included
V125CIDMI-M08	Softening System	16"	Downflow	included	included
V125CIDMK-08	Softening System	21"	Downflow	included	Not included
V125CIDMK-M08	Softening System	21"	Downflow	included	included
V125CIUMD-08	Softening System	12"	Upflow	included	Not included
V125CIUMD-M08	Softening System	12"	Upflow	included	included
V125CIUMF-08	Softening System	14"	Upflow	included	Not included
V125CIUMF-M08	Softening System	14"	Upflow	included	included
V125CIDTF-08	Softening System	12"	Downflow	Not included	Not included
V125CIDTF-M08	Softening System	12"	Downflow	Not included	included
V125CIBMZ-08	Filter	N/A	Backwash	included	Not included
V125CIBTZ-08	Filter	N/A	Backwash	Not included	Not included

NOTE: Controls listed are priced without a power cord or transformer. For AC Adapter (Transformer) selection see "ACCESSORIES" section (V3186-XX). Drain Line Flow Controls (DLFC) washer is not included. Please order separately: reference order number V3162-007 through V3162-100. 32 mm Top Distributor is not included. Please order separately: reference order number V-D1203-03.

Box: WxLxH	Box: Q.ty	Box: Weight	Pallet: WxLxH	Pallet: Q.ty	Pallet: Weight
	2			96	

Certificates	Manufacturer	Sectors
DM174-2004, ACS, CE	Clack	Domestic



CLACK VALVE WS125CI

SPECIFIC		FLOW RATES	
Inlet/Outlet Fittings (to order separately)	Da 1" a 1,5" male BSPT	Service Δp 15 psi/1 bar drop (includes meter)	7,7 m ³ /h
Cycles	Up to 9	Backwash Δp 25 psi/1.7 bar drop	7,3 m ³ /h
Valve Material	Noryl or equivalent	CV Service	8,8
Regeneration	Downflow or Upflow	CV Backwash	6,4

OPERATING PRESSURES		OPERATING TEMPERATURES	
Minimum/Maximum	1,4 ÷ 8,6 bar	Minimum/Maximum	4° ÷ 43° C

METER			
Accuracy	± 5%	Distributor Pilot	32 mm OD Pipe
Flow Rate Range.	0,95 ÷ 129 lpm	Drain Line	¾" or 1" NPT
Volume Range	0,02 ÷ 5.700 m ³	Brine Line	3/8" or ½" OD Poly Tube
Totalizer	1 - 99.999 m ³	Mounting Base	2½" 8 NPSM
		Distributor tube length above pressure vessel	+6 / -13 mm
		Weight	2 kg

ELECTRICAL SPECIFICATIONS		TANK APPLICATIONS	
Supply Voltage	200V AC to 240V AC	Water Softener	6" ÷ 21" diameter
Supply Frequency	50/60 Hz	Water Filter	6" ÷ 24" diameter
Output Voltage	15VDC		
Output Current	500 mA		

CYCLES OF OPERATION	
Choose up to nine regeneration cycles, in any order, with a wide range of available values:	
Backwash	1 ÷ 120 minutes
Rinse	1 ÷ 120 minutes
Pause (service)	1 ÷ 480 minutes
Brine (co-current)	1 ÷ 180 minutes
Brine (counter-current)	1 ÷ 180 minutes
Refill (softener)	0,05 ÷ 90,00 kg
Refill (filter)	0,2 ÷ 76,0 liters

Options: Backwash Filter, Bypass, Weather Cover

Compatible with the following typical concentrations of regenerants or chemicals: Sodium chloride, potassium chloride, potassium permanganate, sodium bisulfite, chlorine and chloramines



CLACK VALVE WS15EI P

CONTROL VALVE



- Transformer, Drain Line Flow Control (DLFC) washer, Top Distributor and accessories not included, to order separately;
- 1.5" top mount control valve suited for mid-size commercial/industrial applications;
- Valve body in Noryl plastic material or equivalent;
- Economical optional meter;
- Solid state microprocessor with easy access front panel settings;
- Front panel display for time of day, days until next regeneration, volume remaining, current flow rate and total volume used (Totalizer);
- Four methods to initiate regeneration; meter immediate, meter delayed, time clock delayed or pressure differential;
- Optional double backwash feature offers optimum regeneration, cleaning ability and efficiency;
- Fully adjustable cycle times with 6-cycle control delivers controlled backwash, downflow brining or upflow brining, slow rinse, second backwash, fast rinse, refill and downflow service;
- Coin Cell Lithium battery back-up with a 8 hour carry over;
- Level VI 15-volt output DC power supply provides safe and easy installation;
- Post treated water regenerant refill;
- 24 hour clock;
- Reliable and proven DC drive;
- Certified to NSF/ANSI 44, 61 and 372;
- If you need a different size of tank, please order separately the specific injector.

Ref	Description	Fam.	Subfam.		Price Euro
VP15EIDTG-05	WS15EI PLASTIC VALVE DN T I-G	25	811		1359,59
VP15EIBTZ-05	WS15EI PLASTIC VALVE BW T I-Z	25	811		1338,45

Certificates	Manufacturer	Sectors

Ref	Softening System/Filter	Ø Injector Tank Size	Downflow/Upflow	Meter	Mixing Valve
VP15CIDTG-05	Softening System	21"	Downflow	Not included	Not included
VP15CIBTZ-05	Filter	N/A	Backwash	Not included	Not included

NOTE: Controls listed are priced without a power cord or transformer. For AC Adapter (Transformer) selection see "ACCESSORIES" section (V3186-XX). Drain Line Flow Controls (DLFC) washer is not included. Please order separately. For 3/4" drain fitting (V3158-04), Flow rates 0.07 - 10.0 gpm: reference order numbers V3162-007 through V3162-100. For 1" drain fitting (V3008-05), Flow rates 9.0 - 25.0 gpm: reference order numbers V3190-090 through V3190-250. For 1.25" x 1.5" drain fittings (V3079BSPT), Flow rates 9 to 85 gpm: reference order numbers V3162-007 through V3162-100, and V3190-090 through V3190-250. 50 mm Top Distributor is not included. Please order separately: reference order number V-D1199-04.

Box: WxLxH	Box: Q.ty	Box: Weight	Pallet: WxLxH	Pallet: Q.ty	Pallet: Weight
	1				

Certificates	Manufacturer	Sectors
DM174-2004 ACS CE	Clack	Commercial, Industrial

Specific accessories

Ref	Description	Fam.	Subfam.		Price Euro
V3045BSPT	WS15P METER ASSEMBLY BSPT 28" METER CABLE	25	850		626,43
V3045BSPT-15	WS15P METER ASSEMBLY BSPT 15" METER CABLE	25	850		658,24
V3034	WS15 PLASTIC MOTORIZED ALTERNATING VALVE	25	850		495,08
V3035	WS15 PLASTIC NO HARD WATER BYPASS VALVE	25	850		495,08
V4430-02	WS15P FITTING ASSEMBLY QC TO BSPT	25	850		43,36
V4430-03	WS15P FITTING ASSEMBLY QC TO QC	25	850		37,92
V4430-08	WS15P FITTING ASSEMBLY QC TO BSPT ELBOW	25	850		45,51
V4430-09	WS15P FITTING ASSEMBLY QC TO QC ELBOW	25	850		39,84
V4430-04BSPT	WS1.5 PLASTIC DRAIN ELBOW & DLFC RETAINER	25	860		31,71
V4350-15Z	WS1.5 PLASTIC INJECTOR FEED PLUG	25	860		2,44



CLACK VALVE WS15EI P

SPECIFIC		CONTROL VALVE FLOW RATES	
Inlet/Outlet	1,5" female BSPT	Service Δp 1 bar/15 psi drop (includes meter)	13,6 m ³ /h
Cycles	up to 6	Backwash Δp 1.7/25 psi bar drop	9,8 m ³ /h
Valve Material	Noryl or equivalent		
Regeneration	Downflow or Upflow		

OPERATING PRESSURES		OPERATING TEMPERATURES	
Minimum/Maximum	1,4 ÷ 8,6 bar	Minimum/Maximum	4° ÷ 43° C

METER SPECIFICATIONS			
Accuracy	± 5%	Distributor Pilot	50 mm
Flow Rate Range	2 ÷ 248 lpm	Drain Line Connection Adapter Included	1.25" Female NPT 3/4" Male NPT Elbow
Volume Range	0,02 ÷ 5.700 m ³	Brine Line Connection Adapter Included	3/4" Female NPT 1/2" OD Poly Tube Compression
Totalizer	0,001 - 4.294.000 m ³	Mounting Base	4" - 8 UN
		Distributor tube length above pressure vessel	+/- 13 mm
		Shipping Weight With Meter	4,1 kg

ELECTRICAL SPECIFICATIONS		TANK APPLICATIONS	
Supply Voltage	200V AC to 240V AC	Water Softener	12" ÷ 30" diameter
Supply Frequency	50/60 Hz	Water Filter	12" ÷ 30" diameter
Output Voltage	15VDC		
Output Current	500 mA		

CYCLES OF OPERATION	
Backwash 1st (upflow)	1 ÷ 95 minutes - Backwash 1-9
Regenerate Draw/Slow Rinse (downflow)	1 ÷ 180 minutes - Rinse 1-9
Backwash 2nd (upflow)	1 ÷ 95 minutes
Fast Rinse (downflow)	1 ÷ 95 minutes
Regenerant Refill (in service with treated water)	0,1 ÷ 99 minutes
Service (downflow)	

Options: Backwash Filter, Weather Cover

Compatible with the following typical concentrations of regenerants or chemicals: Sodium chloride, potassium chloride, potassium permanganate, sodium bisulfite, chlorine and chloramines.



CLACK VALVE WS15CI P

CONTROL VALVE



- Transformer, Drain Line Flow Control (DLFC) washer, Top Distributor and accessories not included, to order separately;
- 1.5" top mount control valve suited for mid-size commercial/industrial applications;
- Valve body in Noryl plastic material or equivalent;
- Economical optional meter;
- Solid state microprocessor with easy access front panel settings;
- Front panel display for time of day, days until next regeneration, volume remaining, current flow rate and total volume used (Totalizer);
- Four methods to initiate regeneration; meter immediate, meter delayed, time clock delayed or pressure differential;
- Optional double backwash feature offers optimum regeneration, cleaning ability and efficiency;
- Fully adjustable cycle times with 6-cycle control delivers controlled backwash, downflow brining or upflow brining, slow rinse, second backwash, fast rinse, refill and downflow service;
- Coin Cell Lithium battery back-up with a 8 hour carry over;
- Level VI 15-volt output DC power supply provides safe and easy installation;
- Post treated water regenerant refill;
- 24 hour clock;
- Reliable and proven DC drive;
- Certified to NSF/ANSI 44, 61 and 372;
- If you need a different size of tank, please order separately the specific injector.

Ref	Description	Fam.	Subfam.		Price Euro
VP15CIDTG-05	WS15CI PLASTIC VALVE DN T I-G	25	801		1369,21
VP15CIBTZ-05	WS15CI PLASTIC VALVE BW T I-Z	25	800		1348,08

Certificates	Manufacturer	Sectors

Ref	Softening System/Filter	Ø Injector Tank Size	Downflow/Upflow	Meter	Mixing Valve
VP15CIDTG-05	Softening System	21"	Downflow	Not included	Not included
VP15CIBTZ-05	Filter	N/A	Backwash	Not included	Not included

NOTE: Controls listed are priced without a power cord or transformer. For AC Adapter (Transformer) selection see "ACCESSORIES" section (V3186-XX). Drain Line Flow Controls (DLFC) washer is not included. Please order separately. For 3/4" drain fitting (V3158-04), Flow rates 0.07 - 10.0 gpm: reference order numbers V3162-007 through V3162-100. For 1" drain fitting (V3008-05), Flow rates 9.0 - 25.0 gpm: reference order numbers V3190-090 through V3190-250. For 1.25" x 1.5" drain fittings (V3079BSPT), Flow rates 9 to 85 gpm: reference order numbers V3162-007 through V3162-100, and V3190-090 through V3190-250. 50 mm Top Distributor is not included. Please order separately: reference order number V-D1199-04.

Box: WxLxH	Box: Q.ty	Box: Weight	Pallet: WxLxH	Pallet: Q.ty	Pallet: Weight
	1				

Specific accessories

Ref	Description	Fam.	Subfam.		Price Euro
V3045BSPT	WS15P METER ASSEMBLY BSPT 28' METER CABLE	25	850		626,43
V3045BSPT-15	WS15P METER ASSEMBLY BSPT 15' METER CABLE	25	850		658,24
V3034	WS15 PLASTIC MOTORIZED ALTERNATING VALVE	25	850		495,08
V3035	WS15 PLASTIC NO HARD WATER BYPASS VALVE	25	850		495,08
V4430-02	WS15P FITTING ASSEMBLY QC TO BSPT	25	850		43,36
V4430-03	WS15P FITTING ASSEMBLY QC TO QC	25	850		37,92
V4430-08	WS15P FITTING ASSEMBLY QC TO BSPT ELBOW	25	850		45,51
V4430-09	WS15P FITTING ASSEMBLY QC TO QC ELBOW	25	850		39,84
V4430-04BSPT	WS1.5 PLASTIC DRAIN ELBOW & DLFC RETAINER	25	860		31,71
V4350-15Z	WS1.5 PLASTIC INJECTOR FEED PLUG	25	860		2,44



CLACK VALVE WS15CI P

SPECIFIC		CONTROL VALVE FLOW RATES	
Inlet/Outlet	1,5" female BSPT	Service Δp 1 bar/15 psi drop (includes meter)	13,6 m ³ /h
Cycles	up to 6	Backwash Δp 1.7/25 psi bar drop	9,8 m ³ /h
Valve Material	Noryl or equivalent		
Regeneration	Downflow or Upflow		

OPERATING PRESSURES		OPERATING TEMPERATURES	
Minimum/Maximum	1,4 ÷ 8,6 bar	Minimum/Maximum	4° ÷ 43° C

METER SPECIFICATIONS			
Accuracy	± 5%	Distributor Pilot	50 mm
Flow Rate Range	2 ÷ 248 lpm	Drain Line Connection Adapter Included	1.25" Female NPT 3/4" Male NPT Elbow
Volume Range	0,02 ÷ 5.700 m ³	Brine Line Connection Adapter Included	3/4" Female NPT 1/2" OD Poly Tube Compression
Totalizer	0,001 - 4.294.000 m ³	Mounting Base	4" - 8 UN
		Distributor tube length above pressure vessel	+/- 13 mm
		Shipping Weight With Meter	4,1 kg

ELECTRICAL SPECIFICATIONS		TANK APPLICATIONS	
Supply Voltage	200V AC to 240V AC	Water Softener	12" ÷ 30" diameter
Supply Frequency	50/60 Hz	Water Filter	12" ÷ 30" diameter
Output Voltage	15VDC		
Output Current	500 mA		

CYCLES OF OPERATION	
Backwash 1st (upflow)	1 ÷ 95 minutes - Backwash 1-9
Regenerate Draw/Slow Rinse (downflow)	1 ÷ 180 minutes - Rinse 1-9
Backwash 2nd (upflow)	1 ÷ 95 minutes
Fast Rinse (downflow)	1 ÷ 95 minutes
Regenerant Refill (in service with treated water)	0,1 ÷ 99 minutes
Service (downflow)	

Options: Backwash Filter, Weather Cover

Compatible with the following typical concentrations of regenerants or chemicals: Sodium chloride, potassium chloride, potassium permanganate, sodium bisulfite, chlorine and chloramines.



CLACK VALVE WS15EI

CONTROL VALVE



- Transformer, Drain Line Flow Control (DLFC) washer, Top Distributor and accessories not included, to order separately
- 1.5" top mount control valve suited for mid-size commercial/industrial applications
- Epoxy coated lead free brass valve body;
- Economical optional meter
- Solid state microprocessor with easy access front panel settings
- Front panel display for time of day, days until next regeneration, volume remaining, current flow rate and total volume used (Totalizer)
- Four methods to initiate regeneration; meter immediate, meter delayed, time clock delayed or pressure differential
- Optional double backwash feature offers optimum regeneration, cleaning ability and efficiency;
- Fully adjustable cycle times with 6-cycle control delivers controlled backwash, downflow brining or upflow brining, slow rinse, second backwash, fast rinse, refill and downflow service;
- Coin Cell Lithium battery back-up with a 8 hour carry over
- Level VI 15-volt output DC power supply provides safe and easy installation
- Post treated water regenerant refill
- 24 hour clock
- Reliable and proven DC drive
- Certified to NSF/ANSI 44, 61 and 372

Ref	Description	Fam.	Subfam.		Price Euro
V15EIDMB-05	WS15EI VALVE DN M I-B	25	810		3102,03
V15EIDMD-05	WS15EI VALVE DN M I-D	25	810		3102,03
V15EIDMF-05	WS15EI VALVE DN M I-F	25	810		3102,03
V15EIDMG-05	WS15EI VALVE DN M I-G	25	810		3102,03
V15EIUMB-05	WS15EI VALVE UP M I-B	25	810		3145,25
V15EIUMD-05	WS15EI VALVE UP M I-D	25	810		3145,25
V15EIDTD-05	WS15EI VALVE DN T I-D	25	810		2115,15
V15EIDTF-05	WS15EI VALVE DN T I-F	25	810		2115,15
V15EIDTG-05	WS15EI VALVE DN T I-G	25	810		2115,15
V15EIBMZ-05	WS15EI VALVE BW M I-Z	25	810		3070,22
V15EIBTZ-05	WS15EI VALVE BW T I-Z	25	810		2083,34



CLACK VALVE WS15EI

Ref	Softening System/Filter	Ø Injector Tank Size	Downflow/Upflow	Meter	Mixing Valve
V15EIDMB-05	Softening System	12"	Downflow	included	Not included
V15EIDMD-05	Softening System	14"	Downflow	included	Not included
V15EIDMF-05	Softening System	18"	Downflow	included	Not included
V15EIDMG-05	Softening System	21"	Downflow	included	Not included
V15EIUMB-05	Softening System	14"	Upflow	included	Not included
V15EIUMD-05	Softening System	18"	Upflow	included	Not included
V15EIDTD-05	Softening System	14"	Downflow	Not included	Not included
V15EIDTF-05	Softening System	18"	Downflow	Not included	Not included
V15EIDTG-05	Softening System	21"	Downflow	Not included	Not included
V15EIBMZ-05	Filter	N/A	Backwash	included	Not included
V15EIBTZ-05	Filter	N/A	Backwash	Not included	Not included

NOTE: Controls listed are priced without a power cord or transformer. For AC Adapter (Transformer) selection see "ACCESSORIES" section (V3186-XX). Drain Line Flow Controls (DLFC) washer is not included. Please order separately. For 3/4" drain fitting (V3158-04), Flow rates 0.07 - 10.0 gpm: reference order numbers V3162-007 through V3162-100. For 1" drain fitting (V3008-05), Flow rates 9.0 - 25.0 gpm: reference order numbers V3190-090 through V3190-250. For 1.25" x 1.5" drain fittings (V3079BSPT), Flow rates 9 to 85 gpm: reference order numbers V3162-007 through V3162-100, and V3190-090 through V3190-250. 50 mm Top Distributor is not included. Please order separately: reference order numbers V-D1199-04 or V-D1300.

Box: WxLxH	Box: Q.ty	Box: Weight	Pallet: WxLxH	Pallet: Q.ty	Pallet: Weight
	1				

Certificates	Manufacturer	Sectors
DM174-2004, ACS CE	Clack	Commercial, Industrial



CLACK VALVE WS15EI

SPECIFIC		CONTROL VALVE FLOW RATES	
Inlet/Outlet	1,5" female BSPT	Service Δp 1 bar/15 psi drop (includes meter)	15,9m ³ /h
Cycles	up to 6	Backwash Δp 1.7/25 psi bar drop	11,8m ³ /h
Valve Material	Lead free brass		
Regeneration	Downflow or Upflow		

OPERATING PRESSURES		OPERATING TEMPERATURES	
Minimum/Maximum	1,4 ÷ 8,6 bar	Minimum/Maximum	4° ÷ 43° C

METER SPECIFICATIONS			
Accuracy	± 5%	Distributor Pilot	50 mm
Flow Rate Range	2 ÷ 248 lpm	Drain Line Connection Adapter Included	1.25" Female NPT 3/4" Male NPT Elbow
Volume Range	0,02 ÷ 5.700 m ³	Brine Line Connection Adapter Included	3/4" Female NPT 1/2" OD Poly Tube Compression
Totalizer	0,001 - 4.294.000 m ³	Mounting Base	4" - 8 UN
		Distributor tube length above pressure vessel	+/- 13 mm
		Shipping Weight With Meter	9,5 kg

ELECTRICAL SPECIFICATIONS		TANK APPLICATIONS	
Supply Voltage	200V AC to 240V AC	Water Softener	12" ÷ 30" diameter
Supply Frequency	50/60 Hz	Water Filter	12" ÷ 30" diameter
Output Voltage	15VDC		
Output Current	500 mA		

CYCLES OF OPERATION	
Backwash 1st (upflow)	1 ÷ 95 minutes - Backwash 1-9
Regenerate Draw/Slow Rinse (downflow)	1 ÷ 180 minutes - Rinse 1-9
Backwash 2nd (upflow)	1 ÷ 95 minutes
Fast Rinse (downflow)	1 ÷ 95 minutes
Regenerant Refill (in service with treated water)	0,1 ÷ 99 minutes
Service (downflow)	

Options: Backwash Filter, Weather Cover

Compatible with the following typical concentrations of regenerants or chemicals: Sodium chloride, potassium chloride, potassium permanganate, sodium bisulfite, chlorine and chloramines.



CLACK VALVE WS15CI

CONTROL VALVE



- Transformer, Drain Line Flow Control (DLFC) washer, Top Distributor and accessories not included, to order separately
- 1.5" top mount control valve suited for mid-size commercial/industrial applications
- Epoxy coated lead free brass valve body;
- Economical stainless steel optional meter assembly
- Solid state microprocessor with easy access front panel settings
- Front panel display for time of day, days until next regeneration, volume remaining and current flow
- Four methods to initiate the downflow regeneration; meter immediate, meter delayed, time clock delayed or pressure differential
- Program in ppm, French degrees, German degrees, or cubic meters
- Fully programmable regeneration cycle sequence (maximum 9)
- Programmable regeneration cycle times
- Days override feature; 1-28 days available
- Level VI 15-volt output DC power supply provides safe and easy installation
- Pre or Post treated water regenerant refill;
- Low salt alarm
- 24 hour clock
- Coin Cell Lithium battery back-up with a 24 hour carry over
- Reliable and proven DC drive
- Certified to NSF/ANSI 44, 61 and 372

Ref	Description	Fam.	Subfam.		Price Euro
V15CIDMB-05	WS15CI VALVE DN M I-B	25	800		3116,52
V15CIDMD-05	WS15CI VALVE DN M I-D	25	800		3116,52
V15CIDMF-05	WS15CI VALVE DN M I-F	25	800		3116,52
V15CIDMG-05	WS15CI VALVE DN M I-G	25	800		3116,52
V15CIUMB-05	WS15CI VALVE UP M I-B	25	800		3159,74
V15CIUMD-05	WS15CI VALVE UP M I-D	25	800		3159,74
V15CIDTD-05	WS15CI VALVE DN T I-D	25	800		2129,64
V15CIDTF-05	WS15CI VALVE DN T I-F	25	800		2129,64
V15CIDTG-05	WS15CI VALVE DN T I-G	25	800		2129,64
V15CIBMZ-05	WS15CI VALVE BW M I-Z	25	800		3084,68
V15CIBTZ-05	WS15CI VALVE BW T I-Z	25	800		2097,79



CLACK VALVE W15CI

Ref	Softening System/Filter	Ø Injector Tank Size	Downflow/Upflow	Meter	Mixing Valve
V15CIDMB-05	Softening System	12"	Downflow	included	Not included
V15CIDMD-05	Softening System	14"	Downflow	included	Not included
V15CIDMF-05	Softening System	18"	Downflow	included	Not included
V15CIDMG-05	Softening System	21"	Downflow	included	Not included
V15CIUMB-05	Softening System	14"	Upflow	included	Not included
V15CIUMD-05	Softening System	18"	Upflow	included	Not included
V15CIDTD-05	Softening System	14"	Downflow	Not included	Not included
V15CIDTF-05	Softening System	18"	Downflow	Not included	Not included
V15CIDTG-05	Softening System	21"	Downflow	Not included	Not included
V15CIBMZ-05	Filter	N/A	Backwash	included	Not included
V15CIBTZ-05	Filter	N/A	Backwash	Not included	Not included

NOTE: Controls listed are priced without a power cord or transformer. For AC Adapter (Transformer) selection see "ACCESSORIES" section (V3186-XX). Drain Line Flow Controls (DLFC) washer is not included. Please order separately. For 3/4" drain fitting (V3158-04), Flow rates 0.07 - 10.0 gpm: reference order numbers V3162-007 through V3162-100. For 1" drain fitting (V3008-05), Flow rates 9.0 - 25.0 gpm: reference order numbers V3190-090 through V3190-250. For 1.25" x 1.5" drain fittings (V3079BSPT), Flow rates 9 to 85 gpm: reference order numbers V3162-007 through V3162-100, and V3190-090 through V3190-250. 50 mm Top Distributor is not included. Please order separately: reference order numbers V-D1199-04 or V-D1300.

Box: WxLxH	Box: Q.ty	Box: Weight	Pallet: WxLxH	Pallet: Q.ty	Pallet: Weight
	1				

Certificates	Manufacturer	Sectors
DM174-2004, ACS, CE	Clack	Commercial, Industrial



CLACK VALVE WS15CI

SPECIFIC		CONTROL VALVE FLOW RATES	
Inlet/Outlet	1,5" female BSPT	Service Δp 1 bar/15 psi drop (includes meter)	15,9 m ³ /h
Cycles	Up to 9	Backwash Δp 1.7 bar/25 psi drop	11,8 m ³ /h
Valve Material	Lead free brass		
Regeneration	Downflow or Upflow		

OPERATING PRESSURES		OPERATING TEMPERATURES	
Minimum/Maximum	1,4 ÷ 8,6 bar	Minimum/Maximum	4° ÷ 43° C

METER SPECIFICATIONS			
Accuracy	± 5%	Distributor Pilot	50 mm
Flow Rate Range	2 ÷ 248 lpm	Drain Line Connection Adapter Included.	1.25" Female NPT 3/4" Male NPT Elbow
Volume Range	0,02 ÷ 5.700 m ³	Brine Line Connection Adapter Included	3/4" Female NPT 1/2" OD Poly Tube Compression
Totalizer	1 - 99.000 m ³	Mounting Base	4" - 8 UN
		Distributor tube length above pressure vessel	+/- 13 mm
		Shipping Weight With Meter	9,5 kg

ELECTRICAL SPECIFICATIONS		TANK APPLICATIONS	
Supply Voltage	200V AC to 240V AC	Water Softener	12" ÷ 30" diameter
Supply Frequency	50/60 Hz	Water Filter	12" ÷ 30" diameter
Output Voltage	15VDC		
Output Current	500 mA		

CYCLES OF OPERATION	
Choose up to nine regeneration cycles, in any order, with a wide range of available values:	
Backwash	1 ÷ 120 minutes
Rinse	1 ÷ 480 minutes
Pause (service).	1 ÷ 180 minutes
Brine (co-current)	0,1 ÷ 180 minutes
Refill (softener)	0,05 ÷ 90,00 kg/.1 - 99 minutes
Refill (filter)	0,2 ÷ 76,0 liters

Options: Backwash Filter, Weather Cover

Compatible with the following typical concentrations of regenerants or chemicals: Sodium chloride, potassium chloride, potassium permanganate, sodium bisulfite, chlorine and chloramines.



CLACK VALVE WS2EI

CONTROL VALVE



- Transformer, Drain Line Flow Control (DLFC) washer, Top Distributor and accessories not included, to order separately
- 2" Top mount control valve suited for commercial/industrial applications
- Epoxy coated lead free brass valve body.
- Economical stainless steel optional meter assembly
- Solid state microprocessor with easy access front panel setting
- Front panel display for time of day, days until next regeneration, volume remaining, current flow rate and total volume used (Totalizer)
- Four methods to initiate regeneration; meter immediate, meter delayed, time clock delayed or pressure differential
- Optional double backwash feature offers optimum regeneration, cleaning ability and efficiency
- Fully adjustable cycle times with 6-cycle control delivers controlled backwash, downflow brining or upflow brining, slow rinse, second backwash, fast rinse, refill and downflow servi
- Coin Cell Lithium battery back-up with an 8 hour carry over
- Level VI 15-volt output DC power supply provides safe and easy installation
- Post treatment water regenerant refill
- 24 Hour Clock
- Reliable and proven DC drive
- Certified to NSF/ANSI 44, 61 and 372

Ref	Description	Fam.	Subfam.		Price Euro
V2EIDMA-05	WS2EI VALVE DN M I-A	25	830		3859,08
V2EIDMB-05	WS2EI VALVE DN M I-B	25	830		3859,08
V2EIDMC-05	WS2EI VALVE DN M I-C	25	830		3859,08
V2EIDMD-05	WS2EI VALVE DN M I-D	25	830		3859,08
V2EIDME-05	WS2EI VALVE DN M I-E	25	830		3859,08
V2EIDMF-05	WS2EI VALVE DN M I-F	25	830		3859,08
V2EIDMG-05	WS2EI VALVE DN M I-G	25	830		3859,08
V2EIUMA-05	WS2EI VALVE UP M I-A	25	830		3899,25
V2EIUMB-05	WS2EI VALVE UP M I-B	25	830		3899,25
V2EIDTA-05	WS2EI VALVE DN T I-A	25	830		2890,43
V2EIDTB-05	WS2EI VALVE DN T I-B	25	830		2890,43
V2EIDTC-05	WS2EI VALVE DN T I-C	25	830		2890,43
V2EIDTD-05	WS2EI VALVE DN T I-D	25	830		2890,43
V2EIDTE-05	WS2EI VALVE DN T I-E	25	830		2890,43
V2EIDTF-05	WS2EI VALVE DN T I-F	25	830		2890,43
V2EIDTG-05	WS2EI VALVE DN T I-G	25	830		2890,43
V2EIBMZ-05	WS2EI VALVE BW M I-Z	25	830		3828,51
V2EIBTZ-05	WS2EI VALVE BW T I-Z	25	830		2858,15



CLACK VALVE WS2EI

Ref	Softening System/Filter	Ø Bombola	Downflow/Upflow	Meter	Mixing Valve
V2EIDMA-05	Softening System	18"	Downflow	included	Not included
V2EIDMB-05	Softening System	21"	Downflow	included	Not included
V2EIDMC-05	Softening System	24"	Downflow	included	Not included
V2EIDMD-05	Softening System	30"	Downflow	included	Not included
V2EIDME-05	Softening System	36"	Downflow	included	Not included
V2EIDMF-05	Softening System	42"	Downflow	included	Not included
V2EIDMG-05	Softening System	48"	Downflow	included	Not included
V2EIUMA-05	Softening System	24"	Upflow	included	Not included
V2EIUMB-05	Softening System	30"	Upflow	included	Not included
V2EIDTA-05	Softening System	18"	Downflow	Not included	Not included
V2EIDTB-05	Softening System	21"	Downflow	Not included	Not included
V2EIDTC-05	Softening System	24"	Downflow	Not included	Not included
V2EIDTD-05	Softening System	30"	Downflow	Not included	Not included
V2EIDTE-05	Softening System	36"	Downflow	Not included	Not included
V2EIDTF-05	Softening System	42"	Downflow	Not included	Not included
V2EIDTG-05	Softening System	48"	Downflow	Not included	Not included
V2EIBMZ-05	Filter	N/A	Backwash	included	Not included
V2EIBTZ-05	Filter	N/A	Backwash	Not included	Not included

NOTE: Controls listed are priced without a power cord or transformer. For AC Adapter (Transformer) selection see "ACCESSORIES" section (V3186-XX). Drain Line Flow Controls (DLFC) washer is not included. Please order separately. For 3/4" drain fitting (V3158-04), Flow rates 0.07 - 10.0 gpm: reference order numbers V3162-007 through V3162-100. For 1" drain fitting (V3008-05), Flow rates 9.0 - 25.0 gpm: reference order numbers V3190-090 through V3190-250. For 1.5" x 1.5" drain fittings (V3080BSPT), Flow rates 9 to 85 gpm: reference order numbers V3162-007 through V3162-100, and V3190-090 through V3190-250. 50 mm Top Distributor is not included. Please order separately: reference order numbers V-D1199-04 or V-D1300.

Box: WxLxH	Box: Q.ty	Box: Weight	Pallet: WxLxH	Pallet: Q.ty	Pallet: Weight
	1				

Certificates	Manufacturer	Sectors
DM174-2004, ACS, CE	Clack	Commercial, Industrial



CLACK VALVE WS2EI

SPECIFIC		CONTROL VALVE FLOW RATES	
Inlet/Outlet	2" female BSPT	Service Δp 1 bar/15 psi drop	26,1 m ³ /h
Cycles	Up to 6	Backwash Δp 1.7 bar/25 psi drop	18,2 m ³ /h
Valve Material	Lead free brass	Cv Service	29,7
Regeneration	Downflow or Upflow	Cv Backwash	16,0

OPERATING PRESSURES		OPERATING TEMPERATURES	
Minimum/Maximum	1,4 ÷ 8,6 bar	Minimum/Maximum	4° ÷ 43° C

METER SPECIFICATIONS			
Accuracy	± 5%	Distributor Pilot	50 mm
Flow Rate Range	5,7 ÷ 568 lpm	Drain Line Connection	1,5" Female NPT
Volume Range	0,02 ÷ 5.700 m ³	Brine Line Adapters Included	1" Male NPT elbow, ¾" x 1" solvent weld elbow and 1/2" OD Poly Tube Compression
Totalizer.	0,001 - 4.294.000 m ³	Mounting Base	4" - 8 UN
		Distributor tube length above pressure vessel	+/- 13 mm
		Shipping Weight With Meter	13 kg

ELECTRICAL SPECIFICATIONS		TANK APPLICATIONS	
Supply Voltage	200V AC to 240V AC	Water Softener	12" ÷ 48" diameter
Supply Frequency	50/60 Hz	Water Filter	12" ÷ 36" diameter
Output Voltage	15VDC		
Output Current	500 mA		

CYCLES OF OPERATION	
Backwash 1st (upflow)	1 ÷ 95 minutes - Backwash 1-95
Regenerate Draw/Slow Rinse (downflow)	1 ÷ 180 minutes - Rinse 1-95
Backwash 2nd (upflow)	1 ÷ 95 minutes
Fast Rinse (downflow)	1 ÷ 95 minutes
Regenerant Refill (in service with treated water)	0,1 ÷ 99 minutes
Service (downflow)	

Options: Backwash Filter, Weather Cover

Compatible with the following typical concentrations of regenerants or chemicals: Sodium chloride, potassium chloride, potassium permanganate, sodium bisulfite, chlorine and chloramines



CLACK VALVE WS2EI QC

CONTROL VALVE



- Single valve, available also for twin alternating, twin parallel and multitank systems
- Transformer, Drain Line Flow Control (DLFC) washer, Top Distributor and accessories not included, to order separately
- 2" top mount or side mount control valve suited for commercial/industrial applications
- Epoxy coated lead free brass valve body
- Economical stainless steel optional meter assembly
- Solid state microprocessor with easy access front panel settings
- Front panel display for time of day, days until next regeneration, volume remaining, current flow rate and total volume used (Totalizer)
- Four methods to initiate regeneration; meter immediate, meter delayed, time clock delayed or pressure differential
- Optional double backwash feature offers optimum regeneration, cleaning ability and efficiency
- Fully adjustable cycle times with 6-cycle control delivers controlled backwash, downflow brining or upflow brining, slow rinse, second backwash, fast rinse, refill and downflow service
- Coin Cell Lithium battery back-up with an 8 hour carry over
- Level VI 15-volt output DC power supply provides safe and easy installation
- Post treated water regenerant refill
- 24 Hour Clock
- Certified to NSF/ANSI 44, 61 and 372

Ref	Description	Fam.	Subfam.		Price Euro
V2EIDMA-18	WS2EI VALVE DN M I-A QC	25	830		3859,08
V2EIDMB-18	WS2EI VALVE DN M I-B QC	25	830		3859,08
V2EIDMC-18	WS2EI VALVE DN M I-C QC	25	830		3859,08
V2EIDMD-18	WS2EI VALVE DN M I-D QC	25	830		3859,08
V2EIDME-18	WS2EI VALVE DN M I-E QC	25	830		3859,08
V2EIDMF-18	WS2EI VALVE DN M I-F QC	25	830		3859,08
V2EIDMG-18	WS2EI VALVE DN M I-G QC	25	830		3859,08
V2EIUMA-18	WS2EI VALVE UP M I-A QC	25	830		3899,25
V2EIUMB-18	WS2EI VALVE UP M I-B QC	25	830		3899,25
V2EIDTA-18	WS2EI VALVE DN T I-A QC	25	830		2890,43
V2EIDTB-18	WS2EI VALVE DN T I-B QC	25	830		2890,43
V2EIDTC-18	WS2EI VALVE DN T I-C QC	25	830		2890,43
V2EIDTD-18	WS2EI VALVE DN T I-D QC	25	830		2890,43
V2EIDTE-18	WS2EI VALVE DN T I-E QC	25	830		2890,43
V2EIDTF-18	WS2EI VALVE DN T I-F QC	25	830		2890,43
V2EIDTG-18	WS2EI VALVE DN T I-G QC	25	830		2890,43
V2EIBMZ-18	WS2EI VALVE BW M I-Z QC	25	830		3828,51
V2EIBTZ-18	WS2EI VALVE BW T I-Z QC	25	830		2858,15

When using the WS2EI/QC Control Valve, one of the following Tank Base Assemblies must be ordered, to complete the Control Valve:

Ref	Description	Fam.	Subfam.		Price Euro
V3064	WS2H/2 QC 4" BASE ASSEMBLY	25	850		272,00
V3055	WS2H/2 QC 6" FLANGE BASE ASSEMBLY	25	850		458,37
V3260BSPT-02	WS2H/2 QC 2" SIDE MOUNT BASE ASSEMBLY BSPT	25	850		667,54



CLACK VALVE WS2EI QC

Ref	Softening System/Filter	Ø Injector Tank Size	Downflow/Upflow	Meter	Mixing Valve
V2EIDMA-18	Softening System	18"	Downflow	included	Not included
V2EIDMB-18	Softening System	21"	Downflow	included	Not included
V2EIDMC-18	Softening System	24"	Downflow	included	Not included
V2EIDMD-18	Softening System	30"	Downflow	included	Not included
V2EIDME-18	Softening System	36"	Downflow	included	Not included
V2EIDMF-18	Softening System	42"	Downflow	included	Not included
V2EIDMG-18	Softening System	48"	Downflow	included	Not included
V2EIUMA-18	Softening System	24"	Upflow	included	Not included
V2EIUMB-18	Softening System	30"	Upflow	included	Not included
V2EIDTA-18	Softening System	18"	Downflow	Not included	Not included
V2EIDTB-18	Softening System	21"	Downflow	Not included	Not included
V2EIDTC-18	Softening System	24"	Downflow	Not included	Not included
V2EIDTD-18	Softening System	30"	Downflow	Not included	Not included
V2EIDTE-18	Softening System	36"	Downflow	Not included	Not included
V2EIDTF-18	Softening System	42"	Downflow	Not included	Not included
V2EIDTG-18	Softening System	48"	Downflow	Not included	Not included
V2EIBMZ-18	Filter	N/A	Backwash	included	Not included
V2EIBTZ-18	Filter	N/A	Backwash	Not included	Not included

NOTE: Controls listed are priced without a power cord or transformer. For AC Adapter (Transformer) selection see "ACCESSORIES" section (V3186-XX). Drain Line Flow Controls (DLFC) washer is not included. Please order separately. For 3/4" drain fitting (V3158-04), Flow rates 0.07 - 10.0 gpm: reference order numbers V3162-007 through V3162-100. For 1" drain fitting (V3008-05), Flow rates 9.0 - 25.0 gpm: reference order numbers V3190-090 through V3190-250. For 1.5" x 1.5" drain fittings (V3080BSPT), Flow rates 9 to 85 gpm: reference order numbers V3162-007 through V3162-100, and V3190-090 through V3190-250. 63 mm Top Distributor is not included. Please order separately: reference order numbers V-D1199-05 or V-D1200-04.

Box: WxLxH	Box: Q.ty	Box: Weight	Pallet: WxLxH	Pallet: Q.ty	Pallet: Weight
	1				

Certificates	Manufacturer	Sectors
ACS CE	Clack	Commercial, Industrial



CLACK VALVE WS2EIQC

SPECIFIC		CONTROL VALVE FLOW RATES	
Inlet/Outlet	2" female BSPT	Service Δp 1 bar/15 psi drop	473 lpm (28,4 m ³ /h) (125 gpm)
Cycles	Up to 6	Backwash Δp 1.7 bar/25 psi drop	322 lpm (19,3 m ³ /h) (85 gpm)
Valve Material	Lead free brass	Cv Service	32,3
Regeneration	Downflow or Upflow	Cv Backwash	17,0

OPERATING PRESSURES		OPERATING TEMPERATURES	
Minimum/Maximum	1,4 ÷ 8,6 bar	Minimum/Maximum	4° ÷ 43° C

METER SPECIFICATIONS			
Accuracy	± 5%	Distributor Pilot	63 mm
Flow Rate Range	5,7 ÷ 568 lpm	Drain line connection	1,5" Female NPT
Volume Range	0,02 ÷ 5.700 m ³	Brine Line Adapters Included	1" Male NPT elbow, ¾" x 1" solvent weld elbow and 1/2" OD Poly Tube Compression
Totalizer	0,001 - 4.294.000 m ³	Mounting Base	4" - 8 UN, 6" Flange or Side Mount
		Distributor tube length above pressure vessel with 4" - 8 UN QC Base with 6" Flange QC Base	57 mm 64 mm
		Weight	14 kg

ELECTRICAL SPECIFICATIONS		TANK APPLICATIONS	
Supply Voltage	200V AC to 240V AC	Water Softener	12" ÷ 48" diameter
Supply Frequency	50/60 Hz	Water Filter	12" ÷ 36" diameter
Output Voltage	15VDC		
Output Current	500 mA		

CYCLES OF OPERATION	
Backwash 1st (upflow)	1 ÷ 95 minutes
Regenerate Draw/Slow Rinse (downflow)	1 ÷ 180 minutes
Backwash 2nd (upflow)	1 ÷ 95 minutes
Fast Rinse (downflow)	1 ÷ 95 minutes
Regenerant Refill (in service with treated water)	0,1 ÷ 99 minutes
Service (downflow)	

Options: Backwash Filter, Weather Cover

Compatible with the following typical concentrations of regenerants or chemicals: Sodium chloride, potassium chloride, potassium permanganate, sodium bisulfite, chlorine and chloramines.



CLACK VALVE WS2CI

CONTROL VALVE



- Transformer, Drain Line Flow Control (DLFC) washer, Top Distributor and accessories not included, to order separately
- 2" Top mount control valve suited for commercial/industrial applications
- Epoxy coated lead free brass valve body
- Economical stainless steel optional meter assembly
- Solid state microprocessor with easy access front panel settings Front panel display for time of day, days until next regeneration, volume remaining and current flow rate
- Four methods to initiate regeneration; meter immediate, meter delayed, time clock delayed or pressure differential
- Program in ppm, French degrees, German degrees, or cubic meters
- Fully programmable regeneration cycle sequence (maximum 9)
- Programmable regeneration cycle times
- Days override feature; 1-28 days available
- Coin Cell Lithium battery back-up with an 24 hour carry over
- Level VI 15-volt output DC power supply provides safe and easy installation
- Pre or Post treated water regenerant refill
- 24 Hour Clock
- Reliable and proven DC drive
- Certified to NSF/ANSI 44, 61 and 372

Ref	Description	Fam.	Subfam.		Price Euro
V2CIDMD-05	WS2CI VALVE DN M I-D	25	820		3872,48
V2CIDME-05	WS2CI VALVE DN M I-E	25	820		3872,48
V2CIDMF-05	WS2CI VALVE DN M I-F	25	820		3872,48
V2CIDMG-05	WS2CI VALVE DN M I-G	25	820		3872,48
V2CIUMA-05	WS2CI VALVE UP M I-A	25	820		3912,61
V2CIUMB-05	WS2CI VALVE UP M I-B	25	820		3912,61
V2CIDTA-05	WS2CI VALVE DN T I-A	25	820		2904,63
V2CIDTB-05	WS2CI VALVE DN T I-B	25	820		2904,63
V2CIDTC-05	WS2CI VALVE DN T I-C	25	820		2904,63
V2CIDTD-05	WS2CI VALVE DN T I-D	25	820		2904,63
V2CIDTE-05	WS2CI VALVE DN T I-E	25	820		2904,63
V2CIDTF-05	WS2CI VALVE DN T I-F	25	820		2904,63
V2CIDTG-05	WS2CI VALVE DN T I-G	25	820		2904,63
V2CIBMZ-05	WS2CI VALVE BW M I-Z	25	820		3841,91
V2CIBTZ-05	WS2CI VALVE BW T I-Z	25	820		2872,27



CLACK VALVE WS2CI

Ref	Softening System/Filter	Ø Bombola	Downflow/Upflow	Meter	Valvola di Miscelazione
V2CIDMD-05	Softening System	30"	Downflow	included	Not included
V2CIDME-05	Softening System	36"	Downflow	included	Not included
V2CIDMF-05	Softening System	42"	Downflow	included	Not included
V2CIDMG-05	Softening System	48"	Downflow	included	Not included
V2CIUMA-05	Softening System	24"	Upflow	included	Not included
V2CIUMB-05	Softening System	30"	Upflow	included	Not included
V2CIDTA-05	Softening System	18"	Downflow	Not included	Not included
V2CIDTB-05	Softening System	21"	Downflow	Not included	Not included
V2CIDTC-05	Softening System	24"	Downflow	Not included	Not included
V2CIDTD-05	Softening System	30"	Downflow	Not included	Not included
V2CIDTE-05	Softening System	36"	Downflow	Not included	Not included
V2CIDTF-05	Softening System	42"	Downflow	Not included	Not included
V2CIDTG-05	Softening System	48"	Downflow	Not included	Not included
V2CIBMZ-05	Filter	N/A	Backwash	included	Not included
V2CIBTZ-05	Filter	N/A	Backwash	Not included	Not included

NOTE: Controls listed are priced without a power cord or transformer. For AC Adapter (Transformer) selection see "ACCESSORIES" section (V3186-XX). Drain Line Flow Controls (DLFC) washer is not included. Please order separately. For 3/4" drain fitting (V3158-04), Flow rates 0.07 - 10.0 gpm: reference order numbers V3162-007 through V3162-100. For 1" drain fitting (V3008-05), Flow rates 9.0 - 25.0 gpm: reference order numbers V3190-090 through V3190-250. For 1.5" x 1.5" drain fittings (V3080BSPT), Flow rates 9 to 85 gpm: reference order numbers V3162-007 through V3162-100, and V3190-090 through V3190-250. 50 mm Top Distributor is not included. Please order separately: reference order numbers V-D1199-04 or V-D1300.

Box: WxLxH	Box: Q.ty	Box: Weight	Pallet: WxLxH	Pallet: Q.ty	Pallet: Weight
	1				

Certificates	Manufacturer	Sectors
ACS CE	Clack	Commercial, Industrial



CLACK VALVE WS2CI

SPECIFIC		CONTROL VALVE FLOW RATES	
Inlet/Outlet	2 female BSPT	Service Δp 1 bar/15 psi drop	26,1 m ³ /h
Cycles	Up to 9	Backwash Δp 1.7 bar/25 psi drop	18,2 m ³ /h
Valve Material	Lead free brass	Cv Service	29,7
Regeneration	Downflow or Upflow	Cv Backwash	16,0

OPERATING PRESSURES		OPERATING TEMPERATURES	
Minimum/Maximum	1,4 ÷ 8,6 bar	Minimum/Maximum	4° ÷ 43° C

METER SPECIFICATIONS			
Accuracy	± 5%	Distributor Pilot	50 mm OD
Flow Rate Range	5,7 ÷ 568 lpm	Drain line connection	1,5" Female NPT
Volume Range	0,02 ÷ 5.700 m ³	Brine Line Adapters Included	1" Male NPT elbow, 3/4" x 1" solvent weld elbow and 1/2" OD Poly Tube Compression
Totalizer	1 - 99.999 m ³	Mounting Base	4" - 8 UN
		Distributor tube length above pressure vessel	+/- 13 mm
		Shipping Weight With Meter	13 kg

ELECTRICAL SPECIFICATIONS		TANK APPLICATIONS	
Supply Voltage	200V AC to 240V AC	Water Softener	12" ÷ 48" diameter
Supply Frequency	50/60 Hz	Water Filter	12" ÷ 36" diameter
Output Voltage	15VDC		
Output Current	500 mA		

CYCLES OF OPERATION Choose up to nine regeneration cycles, in any order, with a wide range of available values	
Backwash	1 ÷ 120 minutes
Rinse	1 ÷ 120 minutes
Pause (service)	1 ÷ 480 minutes
Brine (co-current)	1 ÷ 180 minutes
Refill (softener)	0,1 ÷ 99 minutes
Refill (filter)	0,1 ÷ 99 minutes

Options: Backwash Filter, Weather Cover

Compatible with the following typical concentrations of regenerants or chemicals: Sodium chloride, potassium chloride, potassium permanganate, sodium bisulfite, chlorine and chloramines



CLACK VALVE WS2CI QC

CONTROL VALVE



- Single valve, available also for twin alternating, twin parallel and multitank systems
- Transformer, Drain Line Flow Control (DLFC) washer, Top Distributor and accessories not included, to order separately
- 2" top mount or side mount control valve suited for commercial/industrial applications
- Epoxy coated lead free brass valve body
- Economical stainless steel optional meter assembly
- Solid state microprocessor with easy access front panel settings
- Front panel display for time of day, days until next regeneration, volume remaining and current flow rate
- Four methods to initiate regeneration; meter immediate, meter delayed, time clock delayed or pressure differential
- Program in ppm, French degrees, German degrees, or cubic meters
- Fully programmable regeneration cycle sequence (maximum 9)
- Programmable regeneration cycle times
- Days override feature; 1-28 days available
- Coin Cell Lithium battery back-up with an 24 hour carry over
- Level VI 15-volt output DC power supply provides safe and easy installation
- Pre or Post treated water regenerant refill
- 24 Hour Clock
- Reliable and proven DC drive
- Certified to NSF/ANSI 44, 61 and 372

Ref	Description	Fam.	Subfam.		Price Euro
V2CIDMA-18	WS2CI VALVE DN M I-A QC	25	820		3872,48
V2CIDMB-18	WS2CI VALVE DN M I-B QC	25	820		3872,48
V2CIDMC-18	WS2CI VALVE DN M I-C QC	25	820		3872,48
V2CIDMD-18	WS2CI VALVE DN M I-D QC	25	820		3872,48
V2CIDME-18	WS2CI VALVE DN M I-E QC	25	820		3872,48
V2CIDMF-18	WS2CI VALVE DN M I-F QC	25	820		3872,48
V2CIDMG-18	WS2CI VALVE DN M I-G QC	25	820		3872,48
V2CIUMA-18	WS2CI VALVE UP M I-A QC	25	820		3912,61
V2CIUMB-18	WS2CI VALVE UP M I-B QC	25	820		3912,61
V2CIDTA-18	WS2CI VALVE DN T I-A QC	25	820		2904,63
V2CIDTB-18	WS2CI VALVE DN T I-B QC	25	820		2904,63
V2CIDTC-18	WS2CI VALVE DN T I-C QC	25	820		2904,63
V2CIDTD-18	WS2CI VALVE DN T I-D QC	25	820		2904,63
V2CIDTE-18	WS2CI VALVE DN T I-E QC	25	820		2904,63
V2CIDTF-18	WS2CI VALVE DN T I-F QC	25	820		2904,63
V2CIDTG-18	WS2CI VALVE DN T I-G QC	25	820		2904,63
V2CIBMZ-18	WS2CI VALVE BW M I-Z QC	25	820		3841,91
V2CIBTZ-18	WS2CI VALVE BW T I-Z QC	25	820		2872,27

When using the WS2CI/QC Control Valve, one of the following Tank Base Assemblies must be ordered, to complete the Control Valve:

Ref	Description	Fam.	Subfam.		Price Euro
V3064	WS2H/2 QC 4" BASE ASSEMBLY	25	850		272,00
V3055	WS2H/2 QC 6" FLANGE BASE ASSEMBLY	25	850		458,37
V3260BSPT-02	WS2H/2 QC 2" SIDE MOUNT BASE ASSEMBLY BSPT	25	850		667,54



CLACK VALVE WS2CI QC

Ref	Softening System/Filter	Ø Injector Tank Size	Downflow/Upflow	Meter	Mixing Valve
V2CIDMA-18	Softening System	18"	Downflow	included	Not included
V2CIDMB-18	Softening System	21"	Downflow	included	Not included
V2CIDMC-18	Softening System	24"	Downflow	included	Not included
V2CIDMD-18	Softening System	30"	Downflow	included	Not included
V2CIDME-18	Softening System	36"	Downflow	included	Not included
V2CIDMF-18	Softening System	42"	Downflow	included	Not included
V2CIDMG-18	Softening System	48"	Downflow	included	Not included
V2CIUMA-18	Softening System	24"	Upflow	included	Not included
V2CIUMB-18	Softening System	30"	Upflow	included	Not included
V2CIDTA-18	Softening System	18"	Downflow	Not included	Not included
V2CIDTB-18	Softening System	21"	Downflow	Not included	Not included
V2CIDTC-18	Softening System	24"	Downflow	Not included	Not included
V2CIDTD-18	Softening System	30"	Downflow	Not included	Not included
V2CIDTE-18	Softening System	36"	Downflow	Not included	Not included
V2CIDTF-18	Softening System	42"	Downflow	Not included	Not included
V2CIDTG-18	Softening System	48"	Downflow	Not included	Not included
V2CIBMZ-18	Filter	N/A	Backwash	included	Not included
V2CIBTZ-18	Filter	N/A	Backwash	Not included	Not included

NOTE: Controls listed are priced without a power cord or transformer. For AC Adapter (Transformer) selection see "ACCESSORIES" section (V3186-XX). Drain Line Flow Controls (DLFC) washer is not included. Please order separately. For 3/4" drain fitting (V3158-04), Flow rates 0.07 - 10.0 gpm: reference order numbers V3162-007 through V3162-100. For 1" drain fitting (V3008-05), Flow rates 9.0 - 25.0 gpm: reference order numbers V3190-090 through V3190-250. For 1.5" x 1.5" drain fittings (V3080BSPT), Flow rates 9 to 85 gpm: reference order numbers V3162-007 through V3162-100, and V3190-090 through V3190-250. 63 mm Top Distributor is not included. Please order separately: reference order numbers V-D1199-05 or V-D1200-04.

Box: WxLxH	Box: Q.ty	Box: Weight	Pallet: WxLxH	Pallet: Q.ty	Pallet: Weight
	1				

Certificates	Manufacturer	Sectors
ACS CE	Clack	Commercial, Industrial



CLACK VALVE WS2CIQC

SPECIFIC		CONTROL VALVE FLOW RATES	
Inlet/Outlet	2" female BSPT	Service Δp 1 bar/15 psi drop	28,4 m ³ /h
Cycles	Up to 9	Backwash Δp 1.7 bar/25 psi drop	19,3 m ³ /h
Valve Material	Lead free brass	Cv Service	32,3
Regeneration	Downflow or Upflow	Cv Backwash	17,0

OPERATING PRESSURES		OPERATING TEMPERATURES	
Minimum/Maximum	1,4 ÷ 8,6 bar	Minimum/Maximum	4° ÷ 43° C

METER SPECIFICATIONS			
Accuracy	± 5%	Distributor Pilot	63 mm OD
Flow Rate Range	5,7 ÷ 568 lpm	Drain line connection	1,5" Female NPT
Volume Range	0,02 ÷ 5.700 m ³	Brine Line Adapters Included	3/4"x 1" solvent weld elbow and 1/2" OD Poly Tube Compression
Totalizer	1 - 99.999 m ³	Mounting Base	4" - 8 UN, 6" Flange or Side Mount
		Distributor tube length above pressure vessel with 4" - 8 UN QC Base with 6" Flange QC Base	57 mm/64 mm
		Weight	14 kg

ELECTRICAL SPECIFICATIONS		TANK APPLICATIONS	
Supply Voltage	200V AC to 240V AC	Water Softener	12" ÷ 48" diameter
Supply Frequency	50/60 Hz	Water Filter	12" ÷ 36" diameter
Output Voltage	15VDC		
Output Current	500 mA		

CYCLES OF OPERATION	
Choose up to nine regeneration cycles, in any order, with a wide range of available values: Cycle	
Backwash	1 ÷ 120 minutes
Rinse	1 ÷ 120 minutes
Pause (service)	1 ÷ 480 minutes
Brine (co-current)	1 ÷ 180 minutes
Refill (softener)	0,1 ÷ 99 minutes
Refill (filter)	0,1 ÷ 99 minutes

Options: Backwash Filter, Weather Cover

Compatible with the following typical concentrations of regenerants or chemicals: Sodium chloride, potassium chloride, potassium permanganate, sodium bisulfite, chlorine and chloramines.



CLACK VALVE WS2H



CONTROL VALVE

- 2" top mount or side mount control valve suited for industrial applications
 - Transformer, Drain Line Flow Control (DLFC) washer, Top Distributor and accessories not included, to order separately
 - Epoxy coated lead free brass valve body
 - Built-in Internal Flow Meter standard with all valves
 - Solid state microprocessor with easy access front removable POD
 - Front panel display for Time of Day, Current Flow Rate, Totalizer and Volume/Days until Regeneration
 - Four methods to initiate the down flow regeneration; meter delayed, meter immediate, time clock delayed, or pressure differential
 - Fully programmable regeneration cycle sequences (maximum 9)
 - Fully programmable regeneration cycle times
 - Pre or Post treated water regenerant refill
 - Days override feature; 1-28 days available
 - Stores system configuration and operation data in nonvolatile memory
 - Capacitor back-up with a 24 hour carry over
 - Level VI 18-volt output DC power supply provides safe and easy installation
- Reliable and proven DC drive
 - Certified to NSF/ANSI 44, 61 and 372

Ref	Description	Fam.	Subfam.		Price Euro
V2HDMA-05	WS2H VALVE DN M I-A	25	840		6445,66
V2HDMB-05	WS2H VALVE DN M I-B	25	840		6445,66
V2HDMC-05	WS2H VALVE DN M I-C	25	840		6445,66
V2HDMD-05	WS2H VALVE DN M I-D	25	840		6445,66
V2HDME-05	WS2H VALVE DN M I-E	25	840		6445,66
V2HDMF-05	WS2H VALVE DN M I-F	25	840		6445,66
V2HDMG-05	WS2H VALVE DN M I-G	25	840		6445,66
V2HDMH-05	WS2H VALVE DN M I-H	25	840		6445,66
V2HBMZ-05	WS2H VALVE BW M I-Z	25	840		6413,38

When using the WS2H Control Valve, one of the following Tank Base Assemblies must be ordered, to complete the Control Valve:

Ref	Description	Fam.	Subfam.		Price Euro
V3064	WS2H/2 QC 4" BASE ASSEMBLY	25	850		272,00
V3055	WS2H/2 QC 6" FLANGE BASE ASSEMBLY	25	850		458,37
V3260BSPT-02	WS2H/2 QC 2" SIDE MOUNT BASE ASSEMBLY BSPT	25	850		667,54



CLACK VALVE WS2H

Ref	Softening System/Filter	Ø Injector Tank Size	Downflow/Upflow	Meter	Mixing Valve
V2HDMA-05	Softening System	18"	Downflow	included	Not included
V2HDMB-05	Softening System	21"	Downflow	included	Not included
V2HDMC-05	Softening System	24"	Downflow	included	Not included
V2HDMD-05	Softening System	30"	Downflow	included	Not included
V2HDME-05	Softening System	36"	Upflow	included	Not included
V2HDMF-05	Softening System	42"	Upflow	included	Not included
V2HDMG-05	Softening System	48"	Downflow	Not included	Not included
V2HDMH-05	Softening System	63"	Downflow	Not included	Not included
V2HBMZ-05	Filter	N/A	Downflow	Not included	Not included

NOTE: All WS2H Control Valves listed above come standard with a V3162-022, 2.2 gpm Brine Line Flow Control (BLFC). Other sizes are available. Controls listed are priced without a power cord or transformer. For AC Adapter (Transformer) selection see "ACCESSORIES" section (V3461XX-02). Drain Line Flow Controls (DLFC) washer is not included. Please order separately. The V3051BSPT DLFC Assembly BSPT is capable of up to 4 - V3190-XXX Flow Controls and 5 - V3162-XXX Flow Controls for a total flow rate of 150 gpm. For 3/4" DLFC buttons, reference order numbers V3162-007 through V3162-100. For 1" DLFC buttons, reference order numbers V3190-090 through V3190-250. 63 mm Top Distributor is not included. Please order separately: reference order numbers V-D1199-05 or V-D1200-04.

Box: WxLxH	Box: Q.ty	Box: Weight	Pallet: WxLxH	Pallet: Q.ty	Pallet: Weight
	1				

Certificates	Manufacturer	Sectors
ACS CE	Clack	Industrial



CLACK VALVE WS2H

SPECIFIC		CONTROL VALVE FLOW RATES	
Inlet/Outlet	2" female BSPT or 2.5" Groove Lock	Service Δp 15 psi/1 bar drop (includes meter)	28,4 m ³ /h
Cycles	Up to 9	Backwash Δp 25 psi/1.7 bar drop	28,4 m ³ /h
Valve Material	Lead free brass	Cv Service	32,3
Regeneration	Downflow	Cv Backwash	25,0

OPERATING PRESSURES		OPERATING TEMPERATURES	
Minimum/Maximum	1,4 ÷ 8,6 bar	Minimum/Maximum	4° ÷ 43° C

METER SPECIFICATIONS			
Accuracy	± 5%	Distributor Pilot	63 mm OD
Flow Rate Range	5,7 ÷ 743 lpm	Drain line connection	2" Female BSPT
Volume Range	0,038 ÷ 3.796 m ³	Brine Line Adapters Included	1" Male NPT elbow and 3/4" x 1" solvent weld elbow 1/2" or 5/8" OD Poly Tube Compression
Totalizer	3,8 - 3.785.000 m ³	Mounting Base	4" - 8 UN6" Flange or Side Mount
		Distributor tube length above pressure vessel with 4" - 8 UN QC Base with 6" Flange QC Base	57 mm 64 mm
		Shipping Weight With Internal Meter	22,7 kg

ELECTRICAL SPECIFICATIONS		TANK APPLICATIONS	
Supply Voltage	200V AC to 240V AC	Water Softener	18" ÷ 63" diameter
Supply Frequency	50/60 Hz	Water Filter	18" ÷ 48" diameter
Output Voltage	15VDC		
Output Current	500 mA		

CYCLES OF OPERATION	
Choose up to nine regeneration cycles, in any order, with a wide range of available values: Cycle	
Backwash	1 ÷ 95 minutes
Brine (draw)	1 ÷ 180 minutes
Slow Rinse	1 ÷ 95 minutes
Fast Rinse	1 ÷ 95 minutes
Refill	0,1 ÷ 99 minutes
Hold (service)	1 - 480 minutes

Options: Backwash Filter, Weather Cover

Compatible with the following typical concentrations of regenerants or chemicals: Sodium chloride, potassium chloride, potassium permanganate, sodium bisulfite, chlorine and chloramines.



CLACK VALVE WS3

CONTROL VALVE



- 3" top mount or side mount control valve suited for industrial applications
- Transformer, Drain Line Flow Control (DLFC) washer, Top Distributor and accessories not included, to order separately;
- Epoxy coated lead free brass valve body;
- Economical stainless steel optional meter assembly;
- Built-in Internal Flow Meter standard with all valves;
- Solid state microprocessor with easy access front removable POD;
- Front panel display for Time of Day, Current Flow Rate, Totalizer and Volume/Days until Regeneration
- Four methods to initiate the down flow regeneration; meter delayed, meter immediate, time clock delayed, or pressure differential
- Fully programmable regeneration cycle sequences (maximum 9)
- Fully programmable regeneration cycle times
- Pre or Post treated water regenerant refill
- Days override feature; 1-28 days available
- Stores system configuration and operation data in nonvolatile memory
- Capacitor back-up with a 24 hour carry over
- Level VI 18-volt output DC power supply provides safe and easy installation
- Reliable and proven DC drive
- Certified to NSF/ANSI 44, 61 and 372

Ref	Description	Fam.	Subfam.		Price Euro
V3DTA-05	WS3 VALVE DN T I-A	25	845		7765,99
V3DTB-05	WS3 VALVE DN T I-B	25	845		7765,99
V3DTC-05	WS3 VALVE DN T I-C	25	845		7765,99
V3DTD-05	WS3 VALVE DN T I-D	25	845		7765,99
V3DTE-05	WS3 VALVE DN T I-E	25	845		7765,99
V3DTF-05	WS3 VALVE DN T I-F	25	845		7765,99
V3DTG-05	WS3 VALVE DN T I-G	25	845		7765,99
V3DTH-05	WS3 VALVE DN T I-H	25	845		7765,99
V3BTZ-05	WS3 VALVE BW T I-Z	25	845		7733,71

When using the WS3 Control Valve, one of the following Tank Base Assemblies must be ordered, to complete the Control Valve:

Ref	Description	Fam.	Subfam.		Price Euro
V3090	WS3 6" FLANGE BASE ASSEMBLY	25	850		500,64
V3674BSPT-02	WS3 SIDE MOUNT BASE ASSEMBLY BSPT	25	850		962,31



CLACK VALVE WS3

Ref	Softening System/Filter	Ø Injector Tank Size	Downflow/Upflow	Meter	Mixing Valve
V3DTA-05	Softening System	18"	Downflow	Not included	Not included
V3DTB-05	Softening System	21"	Downflow	Not included	Not included
V3DTC-05	Softening System	24"	Downflow	Not included	Not included
V3DTD-05	Softening System	30"	Downflow	Not included	Not included
V3DTE-05	Softening System	36"	Downflow	Not included	Not included
V3DTF-05	Softening System	42"	Downflow	Not included	Not included
V3DTG-05	Softening System	48"	Downflow	Not included	Not included
V3DTH-05	Softening System	63"	Downflow	Not included	Not included
V3BTZ-05	Filter	N/A	Backwash	Not included	Not included

NOTE: All WS3 Control Valves listed above come standard with a V3162-022, 2.2 gpm Brine Line Flow Control (BLFC). Other sizes are available. Controls listed are priced without a power cord or transformer. For AC Adapter (Transformer) selection see "ACCESSORIES" section (V3461XX-02). Drain Line Flow Controls (DLFC) washer is not included. Please order separately. For the 3" drain fittings (V3764BSPT), Flow rates 9 to 225 gpm: uses up to 9 of the 1" DLFC buttons, reference order numbers V3190-090 through V3190-250. 90 mm Top Distributor is not included. Please order separately.

Box: WxLxH	Box: Q.ty	Box: Weight	Pallet: WxLxH	Pallet: Q.ty	Pallet: Weight
	1				

Certificates	Manufacturer	Sectors
ACS CE	Clack	Industrial



CLACK VALVE WS3

SPECIFIC		CONTROL VALVE FLOW RATES	
Inlet/Outlet	3" female BSPT	Service Δp 15 psi/1 bar drop	56,8 m ³ /h
Cycles	Up to 9	Backwash Δp 25 psi/1.7 bar drop	50,0 m ³ /h
Valve Material	Lead free brass	Cv Service	44,6
Regeneration	Downflow	Cv Backwash	44,0

OPERATING PRESSURES		OPERATING TEMPERATURES	
Minimum/Maximum	1,4 ÷ 8,6 bar	Minimum/Maximum	4° ÷ 43° C

METER SPECIFICATIONS			
Accuracy	± 5%	Distributor tube O. D. diameter	90 mm OD
Flow Rate Range	13,3 ÷ 1.325 lpm	Drain line connection	3" BSPT
Volume Range	(3.786 - 3.785.407,9 liters x1000)	Brine Line Adapters Included	1 Male NPT elbow and 3/4" x 1" solvent weld elbow
		Mounting Base	6" Flange or Side Mount
		Distributor tube length above pressure vessel with 6" Flange QC Base	70 mm
		Shipping Weight Without Optional Meter	25,9 kg

ELECTRICAL SPECIFICATIONS		TANK APPLICATIONS	
Supply Voltage	200V AC to 240V AC	Water Softener	18" ÷ 63" diameter
Supply Frequency	50/60 Hz	Water Filter	18" ÷ 63" diameter
Output Voltage	15VDC		
Output Current	500 mA		

CYCLES OF OPERATION	
Choose up to nine regeneration cycles, in any order, with a wide range of available values	
Backwash	1 ÷ 95 minutes
Brine	1 ÷ 180 minutes
Slow Rinse	1 ÷ 95 minutes
Fast Rinse	1 ÷ 95 minutes
Refill	0,1 ÷ 99 minutes
Hold (service)	0,1 ÷ 480 minutes

Options: Backwash Filter

Compatible with the following typical concentrations of regenerants or chemicals: Sodium chloride, potassium chloride, potassium permanganate, sodium bisulfite, chlorine and chloramines.



CLACK VALVE: WS1CI, WS1CI TWIN, WS1EI, WS1EI TWIN, WS1TC, WS125TC, WS125CI, WS125EI, WS15CI, WS15EI, WS2CI, WS2EI, WS2CI/QC, WS2EI/QC

ACCESSORIES

Ref	Description	Fam.	Subfam.		Price Euro
V3006	WS1 BYPASS ASSEMBLY	15	760		54,33
V3007	WS1 FITTING 1" PVC MALE NPT ELBOW ASSEMBLY	15	760		13,73
V3007-01	WS1 FITTING 3/4" X 1" PVC SOLVENT ELBOW ASSEMBLY	15	760		13,73
V3007-02LF	WS1 FITTING 1" BRASS SWEAT ASSEMBLY LF	15	760		33,96
V3007-03LF	WS1 FITTING 3/4" BRASS SWEAT ASSEMBLY LF	15	760		26,70
V3007-06	WS1 FITTING 1" PLASTIC MALE BSPT ASSEMBLY	15	760		21,07
V3007-07	WS1 FITTING 1.25" & 1.5" PVC SOLVENT ASSEMBLY	15	760		29,35
V3007-08	WS1 FITTING 1.25" PLASTIC MALE BSPT ASSEMBLY	15	760		22,59
V3007-09LF	WS1 FITTING 1-1/4" & 1-1/2" BRASS SWEAT ASSY LF	15	760		105,86
V3007-14	WS1 FITTING 3/4" PLASTIC MALE BSPT ASSEMBLY	15	760		21,07
V3007-15	WS1 FITTING 3/4" JOHN GUEST QC ELBOW ASSEMBLY	15	760		47,72
V3007-16	WS1 FITTING 1" PVC MALE BSPT 90 ASSEMBLY	15	760		13,73
V3007-17	WS1 FITTING 1" JOHN GUEST QC ASSEMBLY	15	760		66,53
V3007-19	WS1 FITTING 3/4" STRAIGHT JOHN GUEST QC	15	760		47,14
V3008-02	WS1 DRAIN FITTING 1" STRAIGHT W/SILENCER	15	760		25,50
V3008-04	WS1 DRAIN FITTING 1" STRAIGHT W/SILENCER	15	760		25,50
V3008-05	WS2 DRAIN FITTING 1" MALE NPT STRAIGHT W/O SILENCER	25	850		46,71
V3009	WS1 AUXILIARY MICROSWITCH ASSEMBLY	15	760		24,34
V3014	WS1 SERIES MICROSWITCH ASSEMBLY	15	760		52,81
V3017	WS2 SERVICE OR FILL SWITCH ASSEMBLY	25	850		53,02
V3022	WS1 STACK PULLER ASSEMBLY	15	760		31,09
V3030-01	SYSTEM CONTROLLER BOX	15	760		2001,45
V3040BSPT	WS1.5 METER ASSEMBLY BSPT	25	850		852,49
V3040BSPT-15	WS1.5 METER ASSEMBLY BSPT 15 FOOT METER CABLE	25	850		852,49
V3051BSPT	WS2H/3 DLFC ASSY 2 M-BSPT X 2 F-BSPT (NO DLFC BUTTONS)	25	850		378,44
V3053	WS2 2-1/2" GROOVE LOCK CLAMP ASSEMBLY	25	850		153,63
V3055	WS2H/2 QC 6" FLANGE BASE ASSEMBLY	25	850		458,37
V3064	WS2H/2 QC 4" BASE ASSEMBLY	25	850		272,00
V3069FF-01	WS1/125 MAV FEMALE X FEMALE 3-WIRE	15	760		310,42
V3069MM-01	WS1/125 MAV MALE X MALE 3-WIRE	15	760		310,46



CLACK VALVE: WS1CI, WS1CI TWIN, WS1EI, WS1EI TWIN, WS1TC, WS125TC, WS125CI, WS125EI, WS15CI, WS15EI, WS2CI, WS2EI, WS2CI/QC, WS2EI/QC

Ref	Description	Fam.	Subfam.		Price Euro
V3070FF	WS1 & WS1.25 NO HARD WATER BY-PASS VALVE FEMALE XFEMALE	15	760		290,12
V3070FM	WS1 & WS1.25 NO HARD WATER BY-PASS VALVE FEMALE XMALE	15	760		290,12
V3071BSPT	MOTORIZED ALTERNATING VALVE 1,5" BSPT	25	850		882,59
V3076BSPT	WS2 MAV BSPT REVISION 2 (PISTON STYLE)	25	850		1128,74
V3080BSPT	WS2 DLFC ASSY 1.5 M-NPT X 1.5 F-BSPT (NO DLFC BUTTONS)	25	850		234,23
V3094BSPT	WS2 METER ASSEMBLY MALE X FEMALE BSPT 70 CM METERCABLE	25	850		854,89
V3094BSPT-15	WS2 METER ASSEMBLY MALE X FEMALE BSPT 15' METER CABLE	25	850		897,34
V3097BSPT	15" NO HARD WATER BYPASS MALE X FEMALE BSPT	25	850		538,99
V3098BSPT	2" NO HARD WATER BYPASS MALE X FEMALE BSPT	25	850		600,32
V3158-04	WS2 DRAIN ELBOW 3/4" MALE NPT NO SILENCER	25	850		36,10
V3162-007	WS1 DLFC 007 (0.7 GPM) FOR 3/4"	15	760		3,20
V3162-010	WS1 DLFC 010 (1.0 GPM) FOR 3/4"	15	760		3,20
V3162-013	WS1 DLFC 013 (1.3 GPM) FOR 3/4"	15	760		3,20
V3162-017	WS1 DLFC 017 (1.7 GPM) FOR 3/4"	15	760		3,16
V3162-022	WS1 DLFC 022 (2.2 GPM) FOR 3/4"	15	760		3,20
V3162-027	WS1 DLFC 027 (2.7 GPM) FOR 3/4"	15	760		3,20
V3162-032	WS1 DLFC 032 (3.2 GPM) FOR 3/4"	15	760		3,20
V3162-042	WS1 DLFC 042 (4.2 GPM) FOR 3/4"	15	760		3,20
V3162-053	WS1 DLFC 053 (5.3 GPM) FOR 3/4"	15	760		3,20
V3162-065	WS1 DLFC 065 (6.5 GPM) FOR 3/4"	15	760		3,20
V3162-075	WS1 DLFC 075 (7.5 GPM) FOR 3/4"	15	760		3,16
V3162-090	WS1 DLFC 090 (9.0 GPM) FOR 3/4"	15	760		3,20
V3162-100	WS1 DLFC 100 (10.0 GPM) FOR 3/4"	15	760		3,20
V3186-01	WS1 AC ADAPTER (TRANSFORMER) CORD ONLY 15 FEET	15	760		22,88
V3186-06	WS1 AC POWER SUPPLY (TRANSF.) US 15 VOLT DC	15	760		29,42
V3186-36	WS1 AC ADAPTER CORD ONLY 36 FEET	15	760		48,70
V3186EU-06	WS1 AC POWER SUPPLY (TRANSFORMER) EU 15 VOLT DC	15	760		29,42
V3186UK-06	WS1 POWER SUPPLY (TRANSFORMER) UK 15 VOLT DC HOCP	15	760		31,02



CLACK VALVE: WS1CI, WS1CI TWIN, WS1EI, WS1EI TWIN, WS1TC, WS125TC, WS125CI, WS125EI, WS15CI, WS15EI, WS2CI, WS2EI, WS2CI/QC, WS2EI/QC

Ref	Description	Fam.	Subfam.		Price Euro
V3190-090	WS1 DLFC 090 (9.0 GPM) FOR 1"	25	850		7,89
V3190-100	WS1 DLFC 100 (10.0 GPM) FOR 1"	25	850		7,85
V3190-110	WS1 DLFC 110 (11.0 GPM) FOR 1"	25	850		7,85
V3190-130	WS1 DLFC 130 (13.0 GPM) FOR 1"	25	850		7,89
V3190-150	WS1 DLFC 150 (15.0 GPM) FOR 1"	25	850		7,89
V3190-170	WS1 DLFC 170 (17.0 GPM) FOR 1"	25	850		7,89
V3190-200	WS1 DLFC 200 (20.0 GPM) FOR 1"	25	850		7,85
V3190-250	WS1 DLFC 250 (25.0 GPM) FOR 1"	25	850		7,85
V3191-01	WS1 BYPASS VERTICAL ADAPTER ASSEMBLY	15	760		26,84
V3192	WS1 NUT 3/4" DRAIN ELBOW (FOR 5/8" X 1/2" POLYTUBE)	15	760		1,78
V3193-02	WS1 SERVICE SPANNER WRENCH	15	760		21,25
V3260BSPT-02	WS2H/2 QC 2" SIDE MOUNT BASE ASSEMBLY BSPT	25	850		667,54
V3467	WS1 BY PASS INLINE ADAPTER FITTINGS	15	760		13,91
V3474	WS ALTERNATING CONNECTION CORD 8' BLACK FOR SINGLE METER (3 WIRE INTERCO)	25	860		14,13
V3475-12	WS2H/3 SYSTEM CONNECTION CORD 12' RED	25	850		26,12
V3475-24	WS2H/3 SYSTEM CONNECTION CORD 24' BLUE	25	850		47,50
V3475-36	WS2H/3 SYSTEM CONNECTION CORD 36' YELLOW	25	850		64,43
V3478	WS1 INLINE BYPASS ASSEMBLY 1" BRASS SWEAT	15	760		131,17
V3478-01	WS1 INLINE BYPASS ASSEMBLY 3/4" BRASS SWEAT	15	760		118,75
V3783WC-A	WS2 WEATHER COVER ALMOND	25	850		52,81
V3783WC-W	WS2 WEATHER COVER WHITE	25	850		52,81
V3974WC-A	WS15 WEATHER COVER ALMOND GENERATION 2	25	850		55,75
V3962	WS1 DRAIN ELBOW & RETAINER ASSY W/O SILENCER	15	760		4,83
V3974WC-W	WS15 WEATHER COVER WHITE GENERATION 2	25	850		55,75
V4052-01	TT TWIN TANK INTERCONNECT KIT FOR 12"-21" TANKS	15	760		84,47
V4057	WS1 DRAIN ELBOW & RETAINER ASSY W/SILENCER	15	760		8,43
V4099	WS1 EXTERNAL IN-LINE MIXING VALVE	15	760		53,53
V4276-15	15' POWER CORD	15	760		15,55
V4276-36	36' POWER CORD	15	760		26,55
V4325	SOFTWARE CONFIGURATOR PROGRAM	15	760		735,59
V-D1199-04	TOP STACK DISTRIBUTOR 50 MM	25	850		103,05
V-D1199-05	TOP STACK DISTRIBUTOR 63 MM	25	850		103,55
V-D1200-04	TOP STACK DISTRIBUTOR 63 MM FOR FLANGE TANKS	25	850		103,05
V-D1203-03	UPPER SCREEN 32 MM-TWIST LOCK	15	760		12,80
V-D1300	TOP BAFFLE DISTRIBUTOR 50 MM	25	850		20,16
V-PKP10TS8-BULK	POLYTUBE INSERT 5/8" - "FOR DRAIN LINE WITH V3192NUT"	15	760		1,82



CLACK VALVE: WS2H, WS3

ACCESSORIES

Ref	Description	Fam.	Subfam.		Price Euro
V3051BSPT	WS2H/3 DLFC ASSY 2 M-BSPT X 2 F-BSPT (NO DLFC BUTTONS)	25	850		378,44
V3053	WS2 2-1/2" GROOVE LOCK CLAMP ASSEMBLY	25	850		153,63
V3055	WS2H/2 QC 6" FLANGE BASE ASSEMBLY	25	850		458,37
V3064	WS2H/2 QC 4" BASE ASSEMBLY	25	850		272,00
V3076BSPT	WS2 MAV BSPT REVISION 2 (PISTON STYLE)	25	850		1128,74
V3116-06	LABEL FOR INJECTOR PLUG	15	770		0,22
V3080BSPT	WS2 DLFC ASSY 1.5 M-NPT X 1.5 F-BSPT (NO DLFC BUTTONS)	25	850		234,23
V3083BSPT	WS3 MOTORIZED ALTERNATING VALVE BSPT	25	850		2503,35
V3090	WS3 6" FLANGE BASE ASSEMBLY	25	850		500,64
V3095BSPT	WS3 3" METER ASSEMBLY BSPT MALE X FEMALE	25	850		2555,57
V3095BSPT-15	WS3 MOTORIZED ALTERNATING VALVE BSPT	25	850		2598,06
V3098BSPT	2" NO HARD WATER BYPASS MALE X FEMALE BSPT	25	850		600,32
V3099BSPT	WS3 NO HARD WATER BYPASS MALE X FEMALE BSPT	25	850		1916,36
V3162-007	WS1 DLFC 007 (0.7 GPM) FOR 3/4"	15	760		3,20
V3162-010	WS1 DLFC 010 (1.0 GPM) FOR 3/4"	15	760		3,20
V3162-013	WS1 DLFC 013 (1.3 GPM) FOR 3/4"	15	760		3,20
V3162-017	WS1 DLFC 017 (1.7 GPM) FOR 3/4"	15	760		3,16
V3162-022	WS1 DLFC 022 (2.2 GPM) FOR 3/4"	15	760		3,20
V3162-027	WS1 DLFC 027 (2.7 GPM) FOR 3/4"	15	760		3,20
V3162-032	WS1 DLFC 032 (3.2 GPM) FOR 3/4"	15	760		3,20
V3162-042	WS1 DLFC 042 (4.2 GPM) FOR 3/4"	15	760		3,20
V3162-053	WS1 DLFC 053 (5.3 GPM) FOR 3/4"	15	760		3,20
V3162-065	WS1 DLFC 065 (6.5 GPM) FOR 3/4"	15	760		3,20
V3162-075	WS1 DLFC 075 (7.5 GPM) FOR 3/4"	15	760		3,16
V3162-090	WS1 DLFC 090 (9.0 GPM) FOR 3/4"	15	760		3,20
V3162-100	WS1 DLFC 100 (10.0 GPM) FOR 3/4"	15	760		3,20



CLACK VALVE: WS2H, WS3

Ref	Description	Fam.	Subfam.		Price Euro
V3190-090	WS1 DLFC 090 (9.0 GPM) FOR 1"	25	850		7,89
V3190-100	WS1 DLFC 100 (10.0 GPM) FOR 1"	25	850		7,85
V3190-110	WS1 DLFC 110 (11.0 GPM) FOR 1"	25	850		7,85
V3190-130	WS1 DLFC 130 (13.0 GPM) FOR 1"	25	850		7,89
V3190-150	WS1 DLFC 150 (15.0 GPM) FOR 1"	25	850		7,89
V3190-170	WS1 DLFC 170 (17.0 GPM) FOR 1"	25	850		7,89
V3190-200	WS1 DLFC 200 (20.0 GPM) FOR 1"	25	850		7,85
V3190-250	WS1 DLFC 250 (25.0 GPM) FOR 1"	25	850		7,85
V3260BSPT-02	WS2H/2 QC 2" SIDE MOUNT BASE ASSEMBLY BSPT	25	850		667,54
V4427	WS2H/3 24VDC 0.8A EU POWER SUPPLY	25	850		160,88
V4428EU	WS2H/3 PCB WITH MODBUS EU UPGRADE KIT	25	860		1661,83
V3461-02	WS2H/3 AC 20V ADAPTER USA	25	850		45,51
V3461EU-01	WS2H/3 AC 20V ADAPTER EU	25	850		103,57
V3461EU-02	WS2H/3 24VDC 0.8A EU POWER SUPPLY	25	850		83,34
V3474	WS ALTERNATING CONNECTION CORD 8' BLACK FOR SINGLE METER (3 WIRE INTERCO	25	860		14,13
V3475-12	WS2H/3 SYSTEM CONNECTION CORD 12' RED	25	850		26,12
V3475-24	WS2H/3 SYSTEM CONNECTION CORD 24' BLUE	25	850		47,50
V3475-36	WS2H/3 SYSTEM CONNECTION CORD 36' YELLOW	25	850		64,43
V3674BSPT-02	WS3 SIDE MOUNT BASE ASSEMBLY BSPT	25	850		962,31
V3764BSPT	WS3 DLFC ASSY 3 M-BSPT X 3 F-BSPT (NO DLFC BUTTONS)	25	850		637,58
V4039	WS3 METER ASSEMBLY WITH 4' CORD	25	850		160,19
V4051WC	WS2H/3 WEATHER COVER	25	850		429,13
V-D1199-05	TOP STACK DISTRIBUTOR 63 MM	25	850		103,55
V-D1200-04	TOP STACK DISTRIBUTOR 63 MM FOR FLANGE TANKS	25	850		103,05



INJECTORS FOR VARIOUS TANK SIZES: WS1 e WS1.25 (CAN BE ORDERED SEPARATELY)

Ref	Description	Fam.	Subfam.		Price Euro
V3010-1A	WS1 INJECTOR ASSEMBLY A BLACK	15	770		6,18
V3010-1B	WS1 INJECTOR ASSEMBLY B BROWN	15	770		6,18
V3010-1C	WS1 INJECTOR ASSEMBLY C VIOLET	15	770		6,18
V3010-1D	WS1 INJECTOR ASSEMBLY D RED	15	770		6,18
V3010-1E	WS1 INJECTOR ASSEMBLY E WHITE	15	770		6,18
V3010-1F	WS1 INJECTOR ASSEMBLY F BLUE	15	770		6,18
V3010-1G	WS1 INJECTOR ASSEMBLY G YELLOW	15	770		6,18
V3010-1H	WS1 INJECTOR ASSEMBLY H GREEN	15	770		6,18
V3010-1I	WS1 INJECTOR ASSEMBLY I ORANGE	15	770		6,18
V3010-1J	WS1 INJECTOR ASSEMBLY J LIGHT BLUE	15	770		6,18
V3010-1K	WS1 INJECTOR ASSEMBLY K LIGHT GREEN	15	770		6,18
V3010-1Z	WS1 INJECTOR ASSEMBLY Z PLUG	15	770		2,15

Ref	Injector Color	Typical Tank Diameter Downflow Brine	Typical Tank Diameter Upflow Brine
V3010-1A	Black	6"	8"
V3010-1B	Brown	7"	9"
V3010-1C	Violet	8"	10"
V3010-1D	Red	9"	12"
V3010-1E	White	10"	13"
V3010-1F	Blue	12"	14"
V3010-1G	Yellow	13"	14"
V3010-1H	Green	14"	16"
V3010-1I	Orange	16"	18"
V3010-1J	Light Blue	18"	21"
V3010-1K	Light Green	21"	N.A
V3010-1Z	N.A	N.A	N.A

- Note: Injector Recommendations - Above injectors are for downflow brining units,
- For upflow brining units the injector should be "down-sized" two tank sizes.
- Example: A 8" downflow softener would use a "C" injector, where as a 8" upflow softener would use an "A" injector



INJECTORS FOR VARIOUS TANK SIZES: WS1.5 (CAN BE ORDERED SEPARATELY)

Ref	Description	Fam.	Subfam.		Price Euro
V3010-15B	WS1.5 INJECTOR ASSEMBLY B VIOLET	25	860		38,75
V3010-15C	WS1.5 INJECTOR ASSEMBLY C RED	25	860		38,75
V3010-15D	WS1.5 INJECTOR ASSEMBLY D WHITE	25	860		38,75
V3010-15E	WS1.5 INJECTOR ASSEMBLY E BLUE	25	860		38,75
V3010-15F	WS1.5 INJECTOR ASSEMBLY F YELLOW	25	860		38,75
V3010-15G	WS1.5 INJECTOR ASSEMBLY G GREEN	25	860		38,79
V3010-15H	WS1.5 INJECTOR ASSEMBLY H ORANGE	25	860		38,75
V3010-15Z	WS1.5 INJECTOR ASSEMBLY Z PLUG	25	860		12,53

Ref	Injector Color	Typical Tank Diameter/ Down Flow Brine	Typical Tank Diameter/ Up Flow Brine
V3010-15B	Violet	12"	14"
V3010-15C	Red	13"	16"
V3010-15D	White	14"	18"
V3010-15E	Blue	16"	21"
V3010-15F	Yellow	18"	24"
V3010-15G	Green	21"	30"
V3010-15H	Orange	24"	n/a
V3010-15Z		n/a	

Note: Injector Recommendations - Above injectors are for downflow brining units,

- For upflow brining units the injector should be "down-sized" two tank sizes.
- Example: A 24" downflow softener would use a "H" injector, where as a 24" upflow softener would use an "F" injector



INJECTORS FOR VARIOUS TANK SIZES: WS2/2H/3 (CAN BE ORDERED SEPARATELY)

Ref	Description	Fam.	Subfam.		Price Euro
V3010-2A	WS2/2H/3 INJECTOR ASSEMBLY A	25	860		43,84
V3010-2B	WS2/2H/3 INJECTOR ASSEMBLY B	25	860		43,84
V3010-2C	WS2/2H/3 INJECTOR ASSEMBLY C	25	860		43,84
V3010-2D	WS2/2H/3 INJECTOR ASSEMBLY D	25	860		43,84
V3010-2E	WS2/2H/3 INJECTOR ASSEMBLY E	25	860		43,84
V3010-2F	WS2/2H/3 INJECTOR ASSEMBLY F	25	860		43,84
V3010-2G	WS2/2H/3 INJECTOR ASSEMBLY G	25	860		43,84
V3010-2H	WS2H/3 INJECTOR ASSEMBLY H	25	860		81,31

Ref	Injector	Typical Tank Diameter/ Down Flow Brine	Typical Tank Diameter/ Up Flow Brine
V3010-2A	Stamped A	18"	24"
V3010-2B	Stamped B	21"	30"
V3010-2C	Stamped C	24"	36"
V3010-2D	Stamped D	30"	42"
V3010-2E	Stamped E	36"	48"
V3010-2F	Stamped F	42"	n/a
V3010-2G	Stamped G	48"	n/a
V3010-2H	Gray PVC	63"	n/a

Note: Injector Recommendations - Above injectors are for downflow brining units,

- For upflow brining units the injector should be "down-sized" two tank sizes.
- Example: A 24" downflow softener would use a "C" injector, where as a 24" upflow softener would use an "A" injector



INJECTORS FOR VARIOUS TANK SIZES: WS2 (CAN BE ORDERED SEPARATELY)

Ref	Description	Fam.	Subfam.		Price Euro
V3010-2R-15B	WS2/WS2H INJECTOR R MODIFIED ASSEMBLY W/3010-15B(12" DOWNFLOW)	25	860		61,52
V3010-2S-15C	WS2/WS2H INJECTOR S MODIFIED ASSEMBLY W/3010-15C(13" DOWNFLOW)	25	860		61,52
V3010-2T-15D	WS2/WS2H INJECTOR T MODIFIED ASSEMBLY W/3010-15D(14" DOWNFLOW)	25	860		61,52
V3010-2U-15E	WS2/WS2H INJECTOR U MODIFIED ASSEMBLY W/3010-15E(16" DOWNFLOW)	25	860		61,52
V3010-2A	WS2/2H/3 INJECTOR ASSEMBLY A	25	860		43,84
V3010-2B	WS2/2H/3 INJECTOR ASSEMBLY B	25	860		43,84
V3010-2C	WS2/2H/3 INJECTOR ASSEMBLY C	25	860		43,84
V3010-2D	WS2/2H/3 INJECTOR ASSEMBLY D	25	860		43,84
V3010-2E	WS2/2H/3 INJECTOR ASSEMBLY E	25	860		43,84
V3010-2F	WS2/2H/3 INJECTOR ASSEMBLY F	25	860		43,84
V3010-2G	WS2/2H/3 INJECTOR ASSEMBLY G	25	860		43,84

Ref	Typical Tank Diameter/ Down Flow Brine	Typical Tank Diameter/ Up Flow Brine
V3010-2R-15B	12"	14"
V3010-2S-15C	13"	16"
V3010-2T-15D	14"	18"
V3010-2U-15E	16"	21"
V3010-2A	18"	24"
V3010-2B	21"	30"
V3010-2C	24"	36"
V3010-2D	30"	42"
V3010-2E	36"	48"
V3010-2F	42"	n/a
V3010-2G	48"	n/a

Note: Injector Recommendations - Above injectors are for downflow brining units,

- For upflow brining units the injector should be "down-sized" two tank sizes.
- Example: A 24" downflow softener would use a "C" injector, where as a 24" upflow softener would use an "A" injector

Pressure vessels and accessories MWG, STRUCTURAL





MWG Residential Pressure Vessels with Base



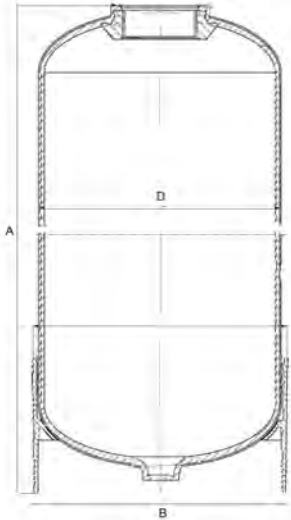
- Made in China;
- Composite pressure vessels PE liner reinforced with fiberglass and epoxy resin;
- For industrial and potable water treatment systems;
- European 2014/68/EU Directive compliant for pressure equipment (PED);
- Max operating pressure 10 bar; max operating temperature 50°C;
- Top connection threaded 2 ½" – 8NPSM or 4"– 8UN; Cycle test 100.000 times from 0 to 10,5 bar;
- Burst test to 4 times max operating pressure;
- Blue colour;
- Warranty 10 years.

Ref	Description	Fam.	Subfam.		Price Euro
BMWG05013BB	MWG PRESSURE VESSEL 5X13 2.5" BLUE	43	412		45,31
BMWG06013BB	MWG PRESSURE VESSEL 6X13 2.5" BLUE	43	412		51,17
BMWG06018BB	MWG PRESSURE VESSEL 6X18 2.5" BLUE	43	412		52,73
BMWG06035BB	MWG PRESSURE VESSEL 6X35 2.5" BLUE	43	412		83,42
BMWG07013BB	MWG PRESSURE VESSEL 7X13 2.5" BLUE	43	412		52,05
BMWG07017BB	MWG PRESSURE VESSEL 7X17 2.5" BLUE	43	412		56,78
BMWG07024BB	MWG PRESSURE VESSEL 7X24 2.5" BLUE	43	412		73,14
BMWG07030BB	MWG PRESSURE VESSEL 7X30 2.5" BLUE	43	412		81,16
BMWG07035BB	MWG PRESSURE VESSEL 7X35 2.5" BLUE	43	412		86,89
BMWG08013BB	MWG PRESSURE VESSEL 8X13 2.5" BLUE	43	412		56,39
BMWG08017BB	MWG PRESSURE VESSEL 8X17 2.5" BLUE	43	412		61,07
BMWG08024BB	MWG PRESSURE VESSEL 8X24 2.5" BLUE	43	412		76,00
BMWG08030BB	MWG PRESSURE VESSEL 8X30 2.5" BLUE	43	412		81,68
BMWG08035BB	MWG PRESSURE VESSEL 8X35 2.5" BLUE	43	412		90,88
BMWG08044BB	MWG PRESSURE VESSEL 8X44 2.5" BLUE	43	412		99,22
BMWG09017BB	MWG PRESSURE VESSEL 9X17 2.5" BLUE	43	412		62,50
BMWG09030BB	MWG PRESSURE VESSEL 9X30 2.5" BLUE	43	412		86,22
BMWG09035BB	MWG PRESSURE VESSEL 9X35 2.5" BLUE	43	412		96,67
BMWG09042BB	MWG PRESSURE VESSEL 9X42 2.5" BLUE	43	412		106,50
BMWG09048BB	MWG PRESSURE VESSEL 9X48 2.5" BLUE	43	412		116,97
BMWG10017BB	MWG PRESSURE VESSEL 10X17 2.5" BLUE	43	412		69,03
BMWG10019BB	MWG PRESSURE VESSEL 10X19 2.5" BLUE	43	412		78,63
BMWG10024BB	MWG PRESSURE VESSEL 10X24 2.5" BLUE	43	412		85,91
BMWG10030BB	MWG PRESSURE VESSEL 10X30 2.5" BLUE	43	412		87,14
BMWG10035BB	MWG PRESSURE VESSEL 10X35 2.5" BLUE	43	412		112,16
BMWG10044BB	MWG PRESSURE VESSEL 10X44 2.5" BLUE	43	412		120,08
BMWG10047BB	MWG PRESSURE VESSEL 10X47 2.5" BLUE	43	412		122,82
BMWG10054BB	MWG PRESSURE VESSEL 10X54 2.5" BLUE	43	412		125,61
BMWG10054GB	MWG PRESSURE VESSEL 10X54 4" BLUE	43	412		143,41
BMWG12048BB	MWG PRESSURE VESSEL 12X48 2.5" BLUE	43	412		149,21
BMWG12052BB	MWG PRESSURE VESSEL 12X52 2.5" BLUE	43	412		183,50
BMWG13044BB	MWG PRESSURE VESSEL 13X44 2.5" BLUE	43	412		176,16
BMWG13054BB	MWG PRESSURE VESSEL 13X54 2.5" BLUE	43	412		188,85
BMWG13054GB	MWG PRESSURE VESSEL 13X54 4" BLUE	43	412		210,77



MWG Residential Pressure Vessels with Base

Characteristics



Ref	Volume (Liters)	External D (mm)	A (mm)	B (mm)	Connection
BMWG05013BB	3,1	130	335 ± 6	135	2½
BMWG06013BB	4,7	155	335 ± 6	165	2½
BMWG06018BB	7,0	155	460 ± 6	165	2½
BMWG06035BB	14,8	155	892 ± 6	165	2½
BMWG07013BB	6,1	180	335 ± 6	188	2½
BMWG07017BB	8,4	180	435 ± 6	188	2½
BMWG07024BB	12,4	180	605 ± 6	188	2½
BMWG07030BB	16,1	180	770 ± 6	188	2½
BMWG07035BB	18,8	180	892 ± 6	188	2½
BMWG08013BB	7,8	207	332 ± 6	216	2½
BMWG08017BB	10,8	207	435 ± 6	216	2½
BMWG08024BB	16,4	207	620 ± 6	216	2½
BMWG08030BB	20,8	207	768 ± 6	216	2½
BMWG08035BB	24,5	207	892 ± 6	216	2½
BMWG08044BB	31,2	207	1125 ± 6	216	2½
BMWG09017BB	13,8	231	450 ± 6	240	2½
BMWG09030BB	26,9	231	770 ± 6	240	2½
BMWG09035BB	32,1	231	895 ± 6	240	2½
BMWG09042BB	38,4	231	1070 ± 6	240	2½
BMWG09048BB	44,4	231	1221 ± 6	240	2½
BMWG10017BB	16,7	258	440 ± 6	266	2½
BMWG10019BB	19,3	258	479 ± 6	266	2½
BMWG10024BB	25,2	258	605 ± 6	266	2½
BMWG10030BB	33,0	258	775 ± 6	266	2½
BMWG10035BB	39,4	258	896 ± 6	266	2½
BMWG10044BB	51	258	1128 ± 6	266	2½
BMWG10047BB	54	258	1190 ± 6	266	2½
BMWG10054BB	63	258	1385 ± 6	266	2½
BMWG10054GB	63	258	1385 ± 6	266	4"
BMWG12048BB	78	310	1234 ± 6	318	2½
BMWG12052BB	84,5	310	1334 ± 6	318	2½
BMWG13044BB	82	335	1118 ± 6	343	2½
BMWG13054BB	103	335	1375 ± 6	343	2½
BMWG13054GB	103	335	1375 ± 6	343	4"

Certificates	Manufacturer	Sectors
DM174-2004, ACS, KTW CE, EAC	MWG	Domestic

Spare Parts for MWG Pressure Vessels

Bases for MWG Pressure Vessels

Ref.	Description	Fam.	Subfam.		Price Euro
BMWGS08	MWG STANDARD BASE 8"	43	196		9,98
BMWGS09	MWG STANDARD BASE 9"	43	196		11,78
BMWGS10	MWG STANDARD BASE 10"	43	196		16,30

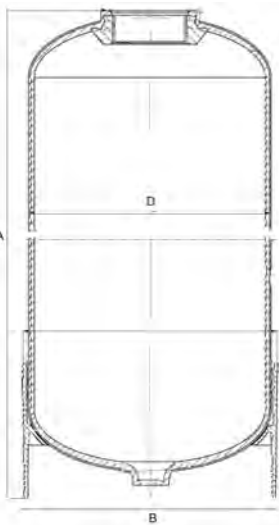


Structural Residential Pressure Vessels with Base



- Made in European Union (Belgium);
- Composite pressure vessels PE liner reinforced with fiberglass and epoxy resin; For industrial and potable water treatment systems;
- Max operating pressure 10 bar;
- Max operating temperature 50°C;
- Top connection threaded 2 ½" – 8NPSM or 4"– 8UN;
- Cycle test 250.000 times from 0,7 to 10 bar;
- Burst test to 4 times max operating pressure;
- Blue colour;
- Warranty 5 years.

Ref	Description	Fam.	Subfam.		Price Euro
BSQ0618A3	STRUCTURAL PRESSURE VESSEL 6X18 2.5" BLUE	43	432		52,85
BSRT0635P3E	STRUCTURAL PRESSURE VESSEL 6X35 2.5" BLUE	43	432		101,51
BSQ0735A3	STRUCTURAL PRESSURE VESSEL 7X35 2.5" BLUE	43	432		83,48
BSQ0817A3	STRUCTURAL PRESSURE VESSEL 8X17 2.5" BLUE	43	432		58,67
BSQ0835A3	STRUCTURAL PRESSURE VESSEL 8X35 2.5" BLUE	43	432		87,33
BSQ0844P3	STRUCTURAL PRESSURE VESSEL 8X44 2.5" BLUE	43	432		95,34
BSQ0935A3	STRUCTURAL PRESSURE VESSEL 9X35 2.5" BLUE	43	432		92,92
BSQ1019A3	STRUCTURAL PRESSURE VESSEL 10X19 2.5" BLUE	43	432		75,54
BSQ1035A3	STRUCTURAL PRESSURE VESSEL 10X35 2.5" BLUE	43	432		107,82
BSQ1044P3	STRUCTURAL PRESSURE VESSEL 10X44 2.5" BLUE	43	432		121,96
BSQ1054P3	STRUCTURAL PRESSURE VESSEL 10X54 2.5" BLUE	43	432		127,58
BSQ1248P3	STRUCTURAL PRESSURE VESSEL 12X48 2.5" BLUE	43	432		151,58
BSQ1252P3	STRUCTURAL PRESSURE VESSEL 12X52 2.5" BLUE	43	432		186,40
BSQ1354A3	STRUCTURAL PRESSURE VESSEL 13X54 2.5" BLUE	43	432		191,80



Ref	Volume (liters)	External D (mm)	A (mm)	B (mm)	Connection
BSQ0618A3	6,9	159	475 ± 2	170	2½"
BSRT0635P3E	14,4	159	907 ± 2	170	2½"
BSQ0735A3	20,4	184	901 ± 2	195	2½"
BSQ0817A3	11,0	208	435 ± 2	220	2½"
BSQ0835A3	25,7	208	902 ± 2	220	2½"
BSQ0844P3	33,6	208	1124 ± 2	220	2½"
BSQ0935A3	31,3	233	903 ± 2	240	2½"
BSQ1019A3	19,1	257	502 ± 2	269	2½"
BSQ1035A3	38,9	257	903 ± 2	269	2½"
BSQ1044P3	48	257	1122 ± 2	269	2½"
BSQ1054P3	61	257	1385 ± 2	269	2½"
BSQ1248P3	76	304	1232 ± 3	315	2½"
BSQ1252P3	84	304	1335 ± 3	315	2½"
BSQ1354A3	103	334	1371 ± 3	330	2½"

Certificates	Manufacturer	Sectors
DM174-2004, ACS, KTW, WRAS, CE, EAC	Pentair	Domestic



MWG Residential Pressure Vessels without Base

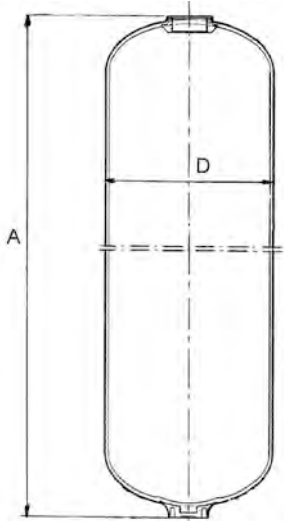


- Made in China;
- Composite pressure vessels PE liner reinforced with fiberglass and epoxy resin;
- For industrial and potable water treatment systems;
- Max operating temperature 50°C;
- Top connection threaded 2 ½" - 8NPSM or 4" - 8UN;
- Cycle test 100.000 times from 0 to 10,5 bar;
- Burst test to 4 times max operating pressure;
- Blue colour;
- Warranty 10 years.

Ref	Description	Fam.	Subfam.		Price Euro
BMWG05013AB	MWG PRESSURE VESSEL 5X13 2.5" NO BASE BLUE	43	410		41,73
BMWG05017AB	MWG PRESSURE VESSEL 5X17 2.5" NO BASE BLUE	43	410		47,11
BMWG05024AB	MWG PRESSURE VESSEL 5X24 2.5" NO BASE BLUE	43	410		57,28
BMWG06013AB	MWG PRESSURE VESSEL 6X13 2.5" NO BASE BLUE	43	410		44,84
BMWG06017AB	MWG PRESSUR VESSEL 6X17 2.5" NO BASE BLUE	43	410		46,46
BMWG06024AB	MWG PRESSURE VESSEL 6X24 2.5" NO BASE BLUE	43	410		59,85
BMWG07013AB	MWG PRESSURE VESSEL 7X13 2.5" NO BASE BLUE	43	410		48,16
BMWG07017AB	MWG PRESSURE VESSEL 7X17 2.5" NO BASE BLUE	43	410		52,61
BMWG07019AB	MWG PRESSURE VESSEL 7X19 2.5" NO BASE BLUE	43	410		55,23
BMWG07024AB	MWG PRESSURE VESSEL 7X24 2.5" NO BASE BLUE	43	410		68,23
BMWG07030AB	MWG PRESSURE VESSEL 7X30 2.5" NO BASE BLUE	43	410		76,44
BMWG07035AB	MWG PRESSURE VESSEL 7X35 2.5" NO BASE BLUE	43	410		79,64
BMWG08013AB	MWG PRESSURE VESSEL 8X13 2.5" NO BASE BLUE	43	410		52,05
BMWG08017AB	MWG PRESSURE VESSEL 8X17 2.5" NO BASE BLUE	43	410		56,98
BMWG08024AB	MWG PRESSURE VESSEL 8X24 2.5" NO BASE BLUE	43	410		70,72
BMWG08030AB	MWG PRESSURE VESSEL 8X30 2.5" NO BASE BLUE	43	410		79,96
BMWG08035AB	MWG PRESSURE VESSEL 8X35 2.5" NO BASE BLUE	43	410		85,82
BMWG09017AB	MWG PRESSURE VESSEL 9X17 2.5" NO BASE BLUE	43	410		58,42
BMWG09024AB	MWG PRESSURE VESSEL 9X24 2.5" NO BASE BLUE	43	410		72,12
BMWG09030AB	MWG PRESSURE VESSEL 9X30 2.5" NO BASE BLUE	43	410		80,94
BMWG09035AB	MWG PRESSURE VESSEL 9X35 2.5" NO BASE BLUE	43	410		91,77
BMWG10017AB	MWG PRESSURE VESSEL 10X17 2.5" NO BASE BLUE	43	410		64,62
BMWG10019AB	MWG PRESSURE VESSEL 10X19 2.5" NO BASE BLUE	43	410		72,94
BMWG10024AB	MWG PRESSURE VESSEL 10X24 2.5" NO BASE BLUE	43	410		75,94
BMWG10030AB	MWG PRESSURE VESSEL 10X30 2.5" NO BASE BLUE	43	410		83,06
BMWG10035AB	MWG PRESSURE VESSEL 10X35 2.5" NO BASE BLUE	43	410		105,17



MWG Residential Pressure Vessels without Base

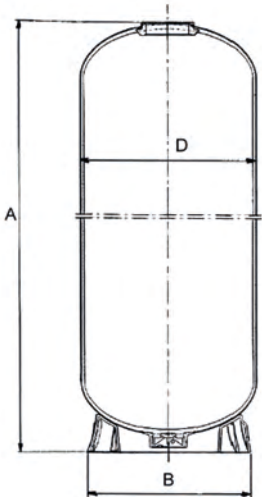


Ref	Volume (liters)	External D (mm)	A (mm)	Connection (inch)
BMWG05013AB	3,1	129	329 ± 3	2½
BMWG05017AB	4,3	129	431 ± 3	2½
BMWG05024AB	6,4	129	611 ± 3	2½
BMWG06013AB	4,7	159	329 ± 3	2½
BMWG06017AB	6,5	159	431 ± 3	2½
BMWG06024AB	9,8	159	611 ± 3	2½
BMWG07013AB	5,9	180	329 ± 3	2½
BMWG07017AB	8,2	180	431 ± 3	2½
BMWG07019AB	9,4	180	483 ± 3	2½
BMWG07024AB	12,4	180	611 ± 3	2½
BMWG07030AB	16,1	180	771 ± 3	2½
BMWG07035AB	18,9	180	891 ± 3	2½
BMWG08013AB	7,6	207	329 ± 3	2½
BMWG08017AB	10,7	207	431 ± 3	2½
BMWG08024AB	16,3	207	611 ± 3	2½
BMWG08030AB	21,2	207	771 ± 3	2½
BMWG08035AB	25,0	207	891 ± 3	2½
BMWG09017AB	13,3	230	431 ± 3	2½
BMWG09024AB	20,3	230	611 ± 3	2½
BMWG09030AB	26,5	230	771 ± 3	2½
BMWG09035AB	31,1	230	891 ± 3	2½
BMWG10017AB	16,4	257,5	431 ± 3	2½
BMWG10019AB	19,0	257,5	483 ± 3	2½
BMWG10024AB	25,2	257,5	611 ± 3	2½
BMWG10030AB	33,0	257,5	771 ± 3	2½
BMWG10035AB	38,8	257,5	891 ± 3	2½

Certificates	Manufacturer	Sectors
DM174-2004 ACS KTW CE, EAC	MWG	Domestic



MWG Industrial Pressure Vessels With Threaded Top Opening



- Made in China; Composite pressure vessels PE liner reinforced with fiberglass and epoxy resin;
- For industrial and potable water treatment systems; Cycle test 100.000 times from 0 to 10,5 bar;
- European 2014/68/EU Directive compliant for pressure equipment (PED);
- Max operating pressure 10 bar; Max operating temperature 50°C; Burst test to 4 times max operating pressure; Warranty 10 Yrs;
- Pressure vessels 16" and less are shipped with reduction 2,5";
- Pressure vessels 30" and greater are shipped with vacuum breaker.

Ref	Description	Fam.	Subfam.		Price Euro
BMWG14052GB	MWG PRESSURE VESSEL 14X52 4" BLUE WITH ADAPTER 2.5"	44	420		259,44
BMWG14065GB	MWG PRESSURE VESSEL 14X65 4" BLUE WITH ADAPTER 2.5"	44	420		312,78
BMWG16052GB	MWG PRESSURE VESSEL 16X52 4" BLUE WITH ADAPTER 2.5"	44	420		302,65
BMWG16065GB	MWG PRESSURE VESSEL 16X65 4" BLUE WITH ADAPTER 2.5"	44	420		344,10
BMWG18053GB	MWG PRESSURE VESSEL 18X53 4" BLUE	44	420		536,74
BMWG18065GB	MWG PRESSURE VESSEL 18X65 4" BLUE	44	420		605,51
BMWG21036GB	MWG PRESSURE VESSEL 21X36 4" BLUE	44	420		667,14
BMWG21053GB	MWG PRESSURE VESSEL 21X53 4" BLUE	44	420		741,95
BMWG21062GB	MWG PRESSURE VESSEL 21X62 4" BLUE	44	420		769,35
BMWG24065GB	MWG PRESSURE VESSEL 24X65 4" BLUE	44	420		1208,25
BMWG24072GB	MWG PRESSURE VESSEL 24X72 4" BLUE	44	420		1254,16
BMWG30072GB	MWG PRESSURE VESSEL 30X72 4" BLUE	44	420		1830,23
BMWG36072GB	MWG PRESSURE VESSEL 36X72 4" BLUE	44	420		2471,80

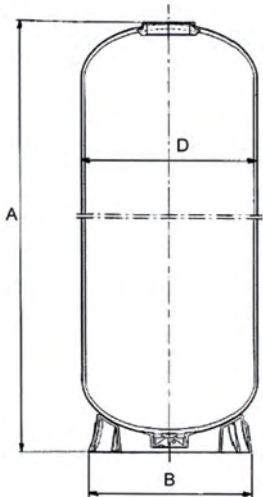
Ref	Volume (Liters)	External D (mm)	A (mm)	B (mm)	Connection (Inch)
BMWG14052GB	112	360	1325 ± 6	369	4"
BMWG14065GB	142	360	1657 ± 6	369	4"
BMWG16052GB	147	410	1312 ± 6	420	4"
BMWG16065GB	188	410	1648 ± 6	420	4"
BMWG18053GB	189	464	1366 ± 6	451	4"
BMWG18065GB	236	464	1670 ± 6	451	4"
BMWG21036GB	167	540	958 ± 10	532	4"
BMWG21053GB	258	540	1390 ± 10	532	4"
BMWG21062GB	307	540	1620 ± 10	532	4"
BMWG24065GB	424	615	1720 ± 10	612	4"
BMWG24072GB	474	615	1900 ± 10	612	4"
BMWG30072GB	716	767	1890 ± 10	752	4"
BMWG36072GB	1008	920	1965 ± 10	910	4"

Ref	Box: WxLxH.	Box: Q.ty	Box: Weight.	Pallet: WxLxH.	Pallet: Q.ty	Pallet: Weight.
BMWG14052GB						
BMWG14065GB						
BMWG16052GB						
BMWG16065GB						
BMWG18053GB						
BMWG18065GB						
BMWG21036GB						
BMWG21053GB						
BMWG21062GB						
BMWG24065GB						
BMWG24072GB						
BMWG30072GB						
BMWG36072GB						

Certificates	Manufacturer	Sectors
DM174-2004 ACS KTW CE, EAC	MWG	Commercial, Industrial



Structural Industrial Pressure Vessels With Threaded Top Opening



- Made in European Union (Belgium); composite pressure vessels PE liner reinforced with fiberglass and epoxy resin; for industrial and potable water treatment systems;
- European 2014/68/EU Directive compliant for pressure equipment (PED);
- Max operating pressure 10 bar; Max operating temperature 50°C;
- Threaded top connection 4"- 8UN;
- Cycle test 250.000 times from 0,7 to 10 bar; burst test to 4 times max operating pressure;
- Warranty 5 years.

Ref	Description	Fam.	Subfam.		Price Euro
BSRT1452A3REN	STRUCTURAL PRESSURE VESSEL 14X52 4" BLUEPTER 2.5"	44	440		291,28
BSRT1465A3REN	STRUCTURAL PRESSURE VESSEL 14X65 4" BLUEPTER 2.5"	44	440		340,02
BSRT1649A3REN	STRUCTURAL PRESSURE VESSEL 16X49 4" BLUEPTER 2.5"	44	440		319,68
BSRT1665A3REN	STRUCTURAL PRESSURE VESSEL 16X65 4" BLUEPTER 2.5"	44	440		373,49
BSRT1865A3EN	STRUCTURAL PRESSURE VESSEL 18X65 4" BLUE	44	440		628,69
BSRT2160A3E	STRUCTURAL PRESSURE VESSEL 21X60 4" BLUE	44	440		800,30

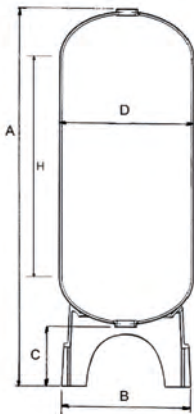
Ref	Volume (liters)	External D (mm)	A (mm)	B (mm)	Connection (Inch)
BSRT1452A3REN	122	369	1360 ± 20	330	4"
BSRT1465A3REN	140	369	1645 ± 20	380	4"
BSRT1649A3REN	125	406	1269 ± 20	420	4"
BSRT1665A3REN	170	406	1632 ± 20	420	4"
BSRT1865A3EN	250	469	1726 ± 20	510	4"
BSRT2160A3E	307	552	1630 ± 20	510	4"

Ref	Box: WxLxH.	Box: Q.ty	Box: Weight.	Pallet: WxLxH.	Pallet: Q.ty	Pallet: Weight.
BSRT1452A3REN						
BSRT1465A3REN						
BSRT1649A3REN						
BSRT1665A3REN						
BSRT1865A3EN						
BSRT2160A3E						

Certificates	Manufacturer	Sectors
DM174-2004 ACS KTW WRAS CE, EAC	Pentair	Commercial, Industrial



MWG Industrial Pressure Vessels With Top&Bottom Threaded Openings



- Made in China;
- Composite pressure vessels PE liner reinforced with fiberglass and epoxy resin;
- For industrial and potable water treatment systems;
- European 2014/68/EU Directive compliant for pressure equipment (PED);
- Max operating pressure 10 bar;
- Max operating temperature 50°C;
- Top and bottom threaded connection 4"- 8UN; Cycle test 100.000 times from 0 to 10,5 bar;
- Burst test to 4 times max operating pressure;
- Blue colour;
- Warranty 10 years;
- Pressure vessels 30" and greater are shipped with vacuum breaker.

Ref	Description	Fam.	Subfam.		Price Euro
BMWG14065HB	MWG PRESSURE VESSEL 14X65 4" + 4" BLUE	44	420		349,33
BMWG16065HB	MWG PRESSURE VESSEL 16X65 4" + 4" BLUE	44	420		393,27
BMWG18065HB	MWG PRESSURE VESSEL 18X65 4" + 4" BLUE	44	420		642,25
BMWG21062HB	MWG PRESSURE VESSEL 21X62 4" + 4" BLUE	44	420		819,70
BMWG24065HB	MWG PRESSURE VESSEL 24X65 4" + 4" BLUE	44	420		1424,08
BMWG24072HB	MWG PRESSURE VESSEL 24X72 4" + 4" BLUE	44	420		1507,16
BMWG30072HB	MWG PRESSURE VESSEL 30X72 4" + 4" BLUE	44	420		1936,31
BMWG36072HB	MWG PRESSURE VESSEL 36X72 4" + 4" BLUE	44	420		2625,70

Ref	Volume (Liters)	External D (mm)	A (mm)	B (mm)	C (mm)	H (mm)	Connection (Inch)
BMWG14065HB	148,5	360	1856 ± 6	369	230	1386	4"
BMWG16065HB	192	410	1880 ± 6	430	250	1365	4"
BMWG18065HB	236	464	1950 ± 10	480	320	1330	4"
BMWG21062HB	307	540	1902 ± 10	555	330	1220	4"
BMWG24065HB	424	615	1916 ± 10	610	246	1220	4"
BMWG24072HB	474	615	2090 ± 10	610	240	1400	4"
BMWG30072HB	716	767	2077 ± 10	762	235	1270	4"
BMWG36072HB	1008	920	2200 ± 10	930	350	1170	4"

Ref	Box: WxLxH.	Box: Q.ty	Box: Weight.	Pallet: WxLxH.	Pallet: Q.ty	Pallet: Weight.
BMWG14065HB						
BMWG16065HB						
BMWG18065HB						
BMWG21062HB						
BMWG24065HB						
BMWG24072HB						
BMWG30072HB						
BMWG36072HB						

Certificates	Manufacturer	Sectors
DM174-2004 ACS KTW CE, EAC	MWG	Commercial, Industrial



Structural Industrial Pressure Vessels With Top&Bottom Threaded Openings



- Made in European Union (Belgium);
- Composite pressure vessels PE liner reinforced with fiberglass and epoxy resin;
- For industrial and potable water treatment systems;
- European 2014/68/EU Directive compliant for pressure equipment (PED);
- Max operating pressure 10 bar;
- Max operating temperature 50°C;
- Top and bottom threaded connection 4" - 8UN;
- Cycle test 250.000 times from 0,7 to 10 bar;
- Burst test to 4 times max operating pressure;
- Blue colour;
- Warranty 5 years;
- Pressure vessels 30" and greater are shipped with vacuum breaker.

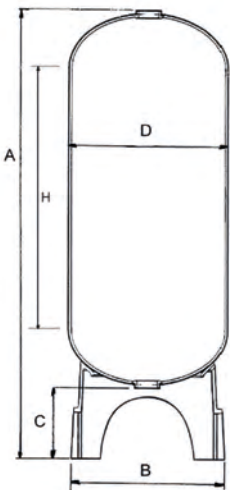
NOTE: the BSRT1865F7E is available only with standard base (not Tripod).

Ref	Description	Fam.	Subfam.		Price Euro
BSRT1865F7E	STRUCTURAL PRESSURE VESSEL 18X65 4" + 4" BLUE	44	440		1081,57
BSRT2160F7E	STRUCTURAL PRESSURE VESSEL 21X60 4" + 4" BLUE	44	440		1435,76
BSRT2469F7E	STRUCTURAL PRESSURE VESSEL 24X69 4" + 4" BLUE	44	440		1442,66
BSRT3072F7E	STRUCTURAL PRESSURE VESSEL 30X72 4" + 4" BLUE	44	440		1969,07
BSRT3672F7E	STRUCTURAL PRESSURE VESSEL 36X72 4" + 4" BLUE	44	440		2659,97

Ref	Volume (liters)	External D (mm)	A (mm)	B (mm)	C (mm)	H (mm)	Connection (Inch)
BSRT1865F7E	247	473	1885 ± 20	539	217	1342	4"
BSRT2160F7E	310	552	1923 ± 20	539	389	1155	4"
BSRT2469F7E	440	610	2169 ± 20	620	422	1327	4"
BSRT3072F7E	710	770	2248 ± 30	816	413	1313	4"
BSRT3672F7E	1020	927	2305 ± 30	1001	408	1266	4"

Ref	Box: WxLxH.	Box: Q.ty	Box: Weight.	Pallet: WxLxH.	Pallet: Q.ty	Pallet: Weight.
BSRT1865F7E						
BSRT2160F7E						
BSRT2469F7E						
BSRT3072F7E						
BSRT3672F7E						

Certificates	Manufacturer	Sectors
DM174-2004 ACS KTW WRAS CE, EAC	Pentair	Commercial, Industrial





MWG Pressure Vessels With Flanged Top Opening



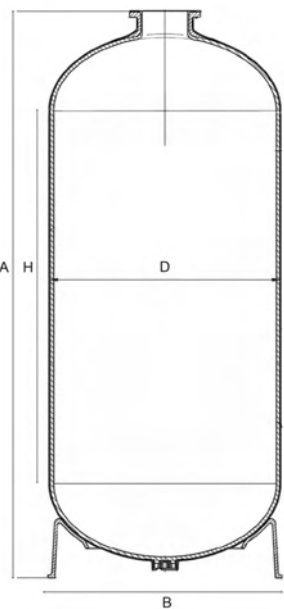
- Made in China;
- Composite pressure vessels PE liner reinforced with fiberglass and epoxy resin;
- For industrial and potable water treatment systems;
- European 2014/68/EU Directive compliant for pressure equipment (PED);
- Max operating pressure 10 bar;
- Max operating temperature 50°C;
- 6" top connection;
- Cycle test 100.000 times from 0 to 10,5 bar;
- Burst test to 4 times max operating pressure;
- Blue colour;
- Warranty 10 years;
- Pressure vessels 30" and greater are shipped with vacuum breaker.

Ref	Description	Fam.	Subfam.		Price Euro
BMWG18068LB	MWG PRESSURE VESSEL 18X68 6" BLUE	44	422		748,57
BMWG21066LB	MWG PRESSURE VESSEL 21X66 6" BLUE	44	422		918,69
BMWG24075LB	MWG PRESSURE VESSEL 24X75 6" BLUE	44	422		1463,10
BMWG30078LB	MWG PRESSURE VESSEL 30X78 6" BLUE	44	422		1959,88
BMWG36078LB	MWG PRESSURE VESSEL 36X78 6" BLUE	44	422		2660,80

Ref	Volume (Liters)	External D (mm)	A (mm)	B (mm)	H (mm)	Connection (Inch)
BMWG18068LB	264	469	1850 ± 25	451	1451	6"
BMWG21066LB	322	544	1745 ± 25	530	1254	6"
BMWG24075LB	460	617	1905 ± 25	612	1404	6"
BMWG30078LB	781	772	2060 ± 25	752	1485	6"
BMWG36078LB	1136	923	2170 ± 25	910	1428	6"

Ref	Box: WxLxH.	Box: Q.ty	Box: Weight.	Pallet: WxLxH.	Pallet: Q.ty	Pallet: Weight.
BMWG18068LB						
BMWG21066LB						
BMWG24075LB						
BMWG30078LB						
BMWG36078LB						

Certificates	Manufacturer	Sectors
DM174-2004 ACS KTW CE, EAC	MWG	Industrial





Structural Industrial Pressure Vessels With Flanged Top Opening



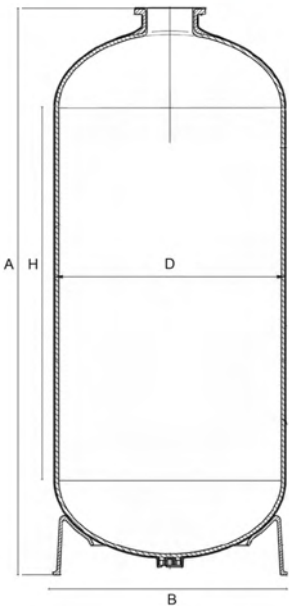
- Made in European Union (Belgium);
- Composite pressure vessels PE liner reinforced with fiberglass and epoxy resin;
- For industrial and potable water treatment systems;
- European 2014/68/EU Directive compliant for pressure equipment (PED);
- Max operating pressure 10 bar;
- Max operating temperature 65°C;
- 6" top connection;
- Cycle test 250.000 times from 0,7 to 10 bar;
- Burst test to 4 times max operating pressure;
- Blue colour;
- Warranty 5 years.

Ref	Description	Fam.	Subfam.		Price Euro
BSRT1868A3E	STRUCTURAL PRESSURE VESSEL 18X68 6" BLUE	44	442		785,89

Ref	Volume (Liters)	External D (mm)	A (mm)	B (mm)	H (mm)	Connection (Inch)
BSRT1868A3E	246	473	1785 ± 20	516	1337	6"

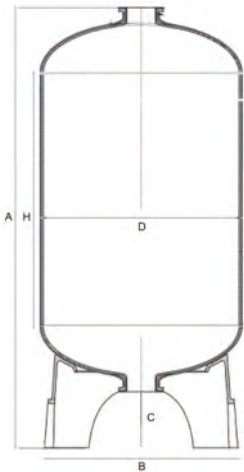
Ref	Box: WxLxH.	Box: Q.ty	Box: Weight.	Pallet: WxLxH.	Pallet: Q.ty	Pallet: Weight.
BSRT1868A3E						

Certificates	Manufacturer	Sectors
DM174-2004 ACS KTW WRAS CE, EAC	Pentair	Industrial





MWG Industrial Pressure Vessels With Flanged Top&Bottom Openings



- Made in China;
- Composite pressure vessels PE liner reinforced with fiberglass and epoxy resin;
- For industrial and potable water treatment systems;
- European 2014/68/EU Directive compliant for pressure equipment (PED);
- Max operating pressure 10 bar;
- Max operating temperature 50°C;
- Top and bottom 6" flange connection;
- Cycle test 100.000 times from 0 to 10,5 bar;
- Burst test to 4 times max operating pressure; Blue colour;
- Warranty 10 years;
- Pressure vessels 30" and greater are shipped with vacuum breaker;
- For 63" pressure vessels, when you use a DN100 lower system, you have to raise the pressure vessel.

Ref	Description	Fam.	Subfam.		Price Euro
BMWG18068MB	MWG PRESSURE VESSEL 18X68 6" + 6" BLUE	44	422		952,72
BMWG21066MB	MWG PRESSURE VESSEL 21X66 6" + 6" BLUE	44	422		1116,04
BMWG24075MB	MWG PRESSURE VESSEL 24X75 6" + 6" BLUE	44	422		1667,26
BMWG30072MB	MWG PRESSURE VESSEL 30X72 6" + 6" BLUE	44	422		2242,56
BMWG36072MB	MWG PRESSURE VESSEL 36X72 6" + 6" BLUE	44	422		2897,24
BMWG42063MB	MWG PRESSURE VESSEL 42X63 6"+6" BLUE	44	422		3099,95
BMWG42072MB	MWG PRESSURE VESSEL 42X72 6" + 6" BLUE	44	422		4318,67
BMWG48072MB	MWG PRESSURE VESSEL 48X72 6" + 6" BLUE	44	422		5078,54
BMWG63067MB	MWG PRESSURE VESSEL 63X67 6" + 6" BLUE	44	422		6575,85
BMWG63086MB	MWG PRESSURE VESSEL 63X86 6" + 6" BLUE	44	422		7343,51

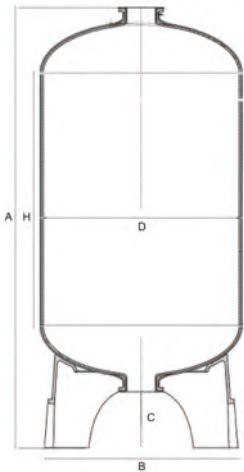
Ref	Volume (litres)	External D (mm)	A (mm)	B (mm)	C (mm)	H (mm)	Connection (inch)
BMWG18068MB	264	469	2120 ± 25	480	250	1451	6"
BMWG21066MB	322	544	2010 ± 25	554	260	1254	6"
BMWG24075MB	460	617	2180 ± 25	650	265	1404	6"
BMWG30072MB	716	767	2240 ± 25	815	265	1260	6"
BMWG36072MB	1036	920	2270 ± 25	920	275	1195	6"
BMWG42063MB	1224	1085	2055 ± 25	1060	270	955	6"
BMWG42072MB	1425	1085	2285 ± 25	1060	270	1185	6"
BMWG48072MB	1746	1220	2270 ± 25	1230	260	1110	6"
BMWG63067MB	2623	1620	2050 ± 25	1620	265	660	6"
BMWG63086MB	3417	1620	2480 ± 25	1620	265	1100	6"

Ref	Box: WxLxH.	Box: Q.ty	Box: Weight.	Pallet: WxLxH.	Pallet: Q.ty	Pallet: Weight.
BMWG18068MB						
BMWG21066MB						
BMWG24075MB						
BMWG30072MB						
BMWG36072MB						
BMWG42063MB						
BMWG42072MB						
BMWG48072MB						
BMWG63067MB						
BMWG63086MB						

Certificates	Manufacturer	Sectors
DM174-2004 ACS KTW CE, EAC	MWG	Industrial



Structural Industrial Pressure Vessels With Flanged Top&Bottom Openings



- Made in European Union (Belgium);
- Composite pressure vessels PE liner reinforced with fiberglass and epoxy resin;
- For industrial and potable water treatment systems;
- European 2014/68/EU Directive compliant for pressure equipment (PED);
- Max operating pressure 10 bar;
- Max operating temperature 65°C;
- Top and bottom 6" flange connection;
- Cycle test 250.000 times from 0,7 to 10 bar;
- Burst test to 4 times max operating pressure;
- Blue colour; Warranty 5 years;
- Pressure vessels 30" and greater are shipped with vacuum breaker.

Ref	Description	Fam.	Subfam.		Price Euro
BSC3678F7	STRUCTURAL PRESSURE VESSEL 36X78 6" + 6" BLUE	44	442		2898,33
BSC4278F7	STRUCTURAL PRESSURE VESSEL 42X78 6" + 6" BLUE	44	442		4395,68
BSC4882F7	STRUCTURAL PRESSURE VESSEL 48X82 6" + 6" BLUE	44	442		5149,90
BSRT6367F7E	STRUCTURAL PRESSURE VESSEL 63X67 6" + 6" BLUE	44	442		7138,22
BSRT6386F7E	STRUCTURAL PRESSURE VESSEL 63X86 6" + 6" BLUE	44	442		8139,97

Ref	Volume (litres)	External D (mm)	A (mm)	B (mm)	C (mm)	H (mm)	Connection (Inch)
BSC3678F7	1026	923	2340 ± 30	955	370	1245	6"
BSC4278F7	1325	1068	2425 ± 40	1092	435	1140	6"
BSC4882F7	1792	1213	2440 ± 40	1270	408	1124	6"
BSRT6367F7E	2414	1620	2345 ± 40	1570	650	573	6"
BSRT6386F7E	3208	1620	2745 ± 40	1570	650	973	6"

Ref	Box: WxLxH.	Box: Q.ty	Box: Weight.	Pallet: WxLxH.	Pallet: Q.ty	Pallet: Weight.
BSC3678F7						
BSC4278F7						
BSC4882F7						
BSRT6367F7E						
BSRT6386F7E						

Certificates	Manufacturer	Sectors
DM174-2004 ACS KTW WRAS CE, EAC	Pentair	Industrial



Pressure Vessels Accessories

Adapters



- adapter 4"- 8UN to 2 1/2" - 8NPSM;
- with O-ring.

Ref	Description	Fam.	Subfam.		Price Euro
PV300	ADAPTER 4"x2.1/2"NPSM W/O-RING	45	201		37,65
PV300A	STRUCTURAL ADAPTER 4"x2.1/2" NPSM W/ O-RING - P/NCH4821-2	45	201		90,33
PV300B	ADAPTER 4"x2.1/2" MWG WITH O-RING	45	201		37,43
PV307	PVC ADAPTER 4"-8UN X 2" BSP	45	201		55,38

Ref	Description	Material	Reduction to
PV300	ADAPTER 4"x2.1/2"NPSM W/O-RING	PVC machined	2 1/2" - 8 NPSM
PV300A	STRUCTURAL ADAPTER 4"x2.1/2" NPSM W/ O-RING - P/NCH4821-2	PVC-C	2 1/2" - 8 NPSM
PV300B	ADAPTER 4"x2.1/2" MWG WITH O-RING	ABS	2 1/2" - 8 NPSM
PV307	PVC ADAPTER 4"-8UN X 2" BSP	PVC machined	2" BSP

Closures

- closure for 4"- 8UN tanks thread;
- with O-ring.



Ref	Description	Fam.	Subfam.		Price Euro
PV301	CLOSURE 4"-8UN W/ O-RING	45	201		49,65

Ref	Description	Material
PV301	CLOSURE 4"-8UN W/ O-RING	PVC machined

6" closed flange

- Closed flange complete with bolts, nuts, washer and O-ring;
- Flange material PVC;
- Bolts material AISI 304.



Ref	Description	Fam.	Subfam.		Price Euro
PV510B	6" PVC FLANGED CLOSURE W/ O-RING AND SCREWS*	45	201		106,29

6" - 4" adapter

- 6" flanged adapter 4"-8UN, complete with bolts, nuts, washer and O-ring;
- Bolts material AISI 304.



Ref	Description	Fam.	Subfam.		Price Euro
PV511B	FLANGED ADAPTER 6"-4" 8UN W/ O-RING AND SCREWS*	45	201		124,94

Ref	Description	Adapter material
PV511B	FLANGED ADAPTER 6"-4" 8UN W/ O-RING AND SCREWS*	PVC



Aeration valve & vacuum breaker



- Aeration valve and vacuum breaker in PP;
- Max pressure 10 bar;
- Max temperature 65°C;
- PV308 connection 1 1/2", drain 1/2";
- PV308B connection 1", drain 3/4".

Ref	Description	Fam.	Subfam.		Price Euro
PV308	AERATION VALVE AND VACUUM BREAKER 1"1/2	45	201		108,57
PV308B	MWG AERATION VALVE AND VACUUM BREAKER 1"	45	201		240,27

Cylindrical diffusers

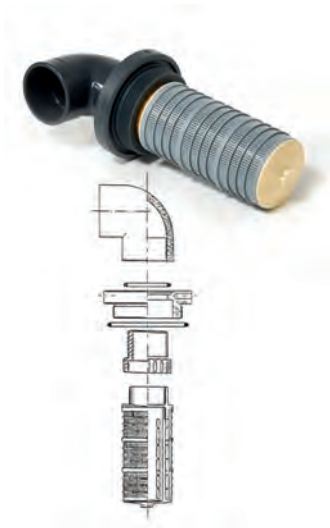


- Cylindrical diffuser for vessels with 4"- 8UN, for upper or lower installation;
- Outlet connection to glue D.63;
- 0,2 mm slots or 0,5 mm;
- Materials: adapter PVC., diffuser PP;
- Flow 20 m3/h at Δp 0,2 bar;
- A. union D63 (REF. PV329);
- B. adapter 4" with gasket (REF. PV332);
- C. reduction 2" M/F (REF. PV335);
- D. diffuser diameter 85 mm length 180 mm.(REF. PV340 0,2 mm slots - REF. PV342 0,5 mm slots).

Ref	Description	Fam.	Subfam.		Price Euro
PV351	TOP/BOTTOM CYLINDRICAL DISTRIBUTOR 4"-8UN D.63 PIPE UNION DIFF. 0,2 MM*	45	201		171,59
PV352	TOP/BOTTOM CYLINDRICAL DISTRIBUTOR 4"-8UN D.63 PIPE UNION DIFF. 0,5 MM*	45	201		171,59

Ref	Description	Fessure (mm)	Ø Bombie abbinabili
PV351	TOP/BOTTOM CYLINDRICAL DISTRIBUTOR 4"-8UN D.63 PIPE UNION DIFF. 0,2 MM*	0,2	14" ÷ 36"
PV352	TOP/BOTTOM CYLINDRICAL DISTRIBUTOR 4"-8UN D.63 PIPE UNION DIFF. 0,5 MM*	0,5	14" ÷ 36"

Certificates	Manufacturer	Sectors
		Industrial



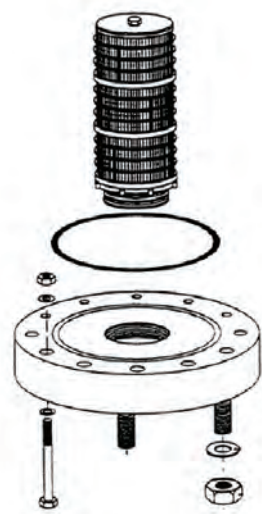
Cylindrical diffusers with elbow

- Cylindrical diffuser for vessel 4"-8UN, for upper installation;
- Outlet connection with elbow to glue D63;
- 0,2 mm slots or 0,5 mm
- Materials: adapter and elbow PVC, diffuser PP;
- Flow 20 m³/h at Δp 0,2 bar;
- Including:
 - A. elbow D63 (REF. PV331);
 - B. adapter 4" with gasket (REF. PV332);
 - C. reduction 2" M/F (REF. PV335);
 - D. diffuser con diameter 85 mm length 180 mm (REF.PV340 0,2 mm slots - REF.PV342 0,5 mm slots).

Ref	Description	Fam.	Subfam.		Price Euro
PV350	TOP CYLINDRICAL DISTRIBUTOR 4"-8UN X DN63 ELBOW DIFF. 0,2MM*	45	201		155,89
PV349	TOP CYLINDRICAL DISTRIBUTOR 4"-8UN X DN63 ELBOW DIFF. 0,5MM*	45	201		155,89

Ref	Description	Slots (mm)	Ø Vessel
PV350	TOP CYLINDRICAL DISTRIBUTOR 4"-8UN X DN63 ELBOW DIFF. 0,2MM*	0,2	14" ÷ 36"
PV349	TOP CYLINDRICAL DISTRIBUTOR 4"-8UN X DN63 ELBOW DIFF. 0,5MM*	0,5	14" ÷ 36"

Certificates	Manufacturer	Sectors
		Industrial



Flanged upper diffusers

- Upper diffuser 6" flanged, complete with bolts, nuts, washer and O-ring;
- Flange material PVC;
- PP cylindrical diffuser 0,2 mm slots or 0,5 mm slots;
- Bolts material AISI 304.

Ref	Description	Fam.	Subfam.		Price Euro
PV512	TOP CYLINDRICAL DISTRIBUTOR FLANGED 6" X DN 65 DIFF. 0,2MM - 284 MM*	45	201		366,03
PV514	TOP CYLINDRICAL DISTRIBUTOR FLANGED 6" X DN80 DIFF. 0,2MM - 240 MM*	45	201		424,77
PV515	TOP CYLINDRICAL DISTRIBUTOR FLANGED 6" X DN80 DIFF. 0,2 MM - 312 MM*	45	201		441,31
PV553	CYLINDRICAL DISTRIBUTOR FLANGED 6" DN 80 DIFF. 0,2 MM - 384 MM *	45	201		457,74
PV518	TOP CYLINDRICAL DISTRIBUTOR FLANGED 6" DN100 DIFF,0,2 MM - 384 MM*	45	201		459,22
PV513	TOP CYLINDRICAL DISTRIBUTOR FLANGED 6" X DN 65 DIFF. 0,5MM - 284 MM*	45	201		366,03
PV516	TOP CYLINDRICAL DISTRIBUTOR FLANGED 6" DN80 DIFF0,5 MM - 240 MM*	45	201		424,77
PV517	TOP CYLINDRICAL DISTRIBUTOR FLANGED 6" DN80 DIFF0,5 MM - 312 MM*	45	201		441,31
PV554	CYLINDRICAL DISTRIBUTOR FLANGED 6" DN 80 DIFF. 0,5 MM - 384 MM *	45	201		457,74
PV519	TOP CYLINDRICAL DISTRIBUTOR FLANGED 6" DN100 DIFF0,5 MM - 384 MM*	45	201		459,22

Ref	Ø VESSEL	Ø Cylindrical diffuser (mm)	Cylindrical diffuser Length (mm)	Slots (mm)	Flow (m³/h) Δp 0,2 bar
PV512	18" ÷ 36"	85	284	0,2	25
PV514	24" ÷ 36"	120	240	0,2	35
PV515	42" ÷ 48"	120	312	0,2	40
PV553	63"	120	384	0,2	45
PV518	63"	120	384	0,2	60
PV513	18" ÷ 36"	85	284	0,5	25
PV516	24" ÷ 36"	120	240	0,5	35
PV517	42" ÷ 48"	120	312	0,5	40
PV554	63"	120	384	0,5	45
PV519	63"	120	384	0,5	60

Certificates	Manufacturer	Sectors
		Industrial



Pressure Vessels Accessories

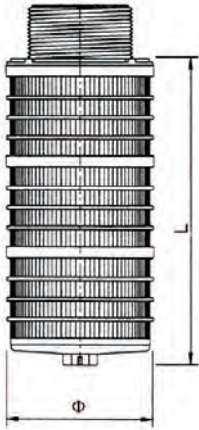
Cylindrical diffusers

- PP cylindrical diffuser with thread connection 2", 3" or 4";
- Slots 0,2 or 0,5 mm.



Ref	Description	Fam.	Subfam.		Price Euro
PV340	CYLINDRICAL DIFFUSER 2" L=180-0.2 MM	45	201		42,30
PV339	CYLINDRICAL DIFFUSER 2" L=284 - 0,2MM	45	201		63,31
PV341	CYLINDRICAL DIFFUSER 2" L=338 - 0,2MM	45	201		71,40
PV342	CYLINDRICAL DIFFUSER 2" L=180 - 0,5MM	45	201		42,30
PV343	CYLINDRICAL DIFFUSER 2" L=284 - 0,5MM	45	201		63,31
PV344	CYLINDRICAL DIFFUSER 2" L=338 - 0,5MM	45	201		71,40
PV364	CYLINDRICAL DIFFUSER 3" L=240 - 0,2MM	45	201		87,76
PV365	CYLINDRICAL DIFFUSER 3" L=312 - 0,2 MM	45	201		104,80
PV366	CYLINDRICAL DIFFUSER 3" L=384 - 0,2 MM	45	201		121,84
PV367	CYLINDRICAL DIFFUSER 3" L=240 - 0,5 MM	45	201		87,76
PV368	CYLINDRICAL DIFFUSER 3" L=312 - 0,5 MM	45	201		104,80
PV369	CYLINDRICAL DIFFUSER 3" L=384 - 0,5 MM	45	201		121,84
PV393	CYLINDRICAL DIFFUSER 4" 8UN L=384 - 0,2 MM	45	201		121,84
PV394	CYLINDRICAL DIFFUSER 4" 8UN L=384 - 0,5 MM	45	201		121,84

Ref	Connection	Ø Diameter(mm)	Lenght(mm)	Slots (mm)
PV340	2"	85	180	0,2
PV339	2"	85	284	0,2
PV341	2"	85	338	0,2
PV342	2"	85	180	0,5
PV343	2"	85	284	0,5
PV344	2"	85	338	0,5
PV364	3"	120	240	0,2
PV365	3"	120	312	0,2
PV366	3"	120	384	0,2
PV367	3"	120	240	0,5
PV368	3"	120	312	0,5
PV369	3"	120	384	0,5
PV393	4"	120	384	0,2
PV394	4"	120	384	0,5



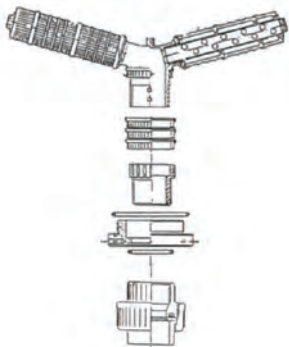
Certificates	Manufacturer	Sectors
		Industrial



Lower lateral system

- Lower lateral system for vessels with 4" - 8UN opening;
- Outlet connection to glue D63;
- Slots 0,2 or 0,5 mm;
- Materials: adapter PVC, hub and laterals PP;
- Including:
 - A. union D63 (REF. PV329);
 - B. adapter 4" with O-rings (REF. PV332);
 - C. reduction 2" M/F (REF. PV335);
 - D. n.3 spacers (REF. PV337);
 - E. hub (REF. PV336);
 - F. N.5 laterals diameter 54 mm, length = see table.

Ref	Description	Fam.	Subfam.		Price Euro
PV353	LOWER LATERAL SYSTEM 4"-8UN X D.63 PRES.VES. 14"-16"-18" SLOTS 0,2 MM*	45	201		185,39
PV354	LOWER LATERAL SYSTEM 4"-8UN X D.63 PRES.VES.21"-24" SLOTS 0,2 MM*	45	201		199,00
PV355	LOWER LATERAL SYSTEM 4"-8UN X D.63 PRES.VES.30" SLOTS 0,2 MM*	45	201		211,55
PV356	LOWER LATERAL SYSTEM 4"-8UN X D.63 PRES.VES.36" SLOTS 0,2 MM*	45	201		225,15
PV360	LOWER LATERAL SYSTEM 4"-8UN X D.63 PRES.VES.14"-16"-18" SLOTS 0,5MM*	45	201		185,39
PV361	LOWER LATERAL SYSTEM 4"-8UN X D.63 PRES.VES.21"-24" SLOTS 0,5MM*	45	201		199,00
PV362	LOWER LATERAL SYSTEM 4"-8UN X D.63 PRES.VES.30" SLOTS 0,5MM*	45	201		211,55
PV363	LOWER LATERAL SYSTEM 4"-8UN X D.63 PRES.VES.36" SLOTS 0,5MM*	45	201		225,15



Ref	Slots (mm)	Ø Vessel	Flow(m ³ /h) Δp 0,2 bar	Lateral lenght (mm)
PV353	0,2	14" - 16" - 18"	17	113
PV354	0,2	21" - 24"	18	175
PV355	0,2	30"	19	237
PV356	0,2	36"	20	299
PV360	0,5	14" - 16" - 18"	17	113
PV361	0,5	21" - 24"	18	175
PV362	0,5	30"	19	237
PV363	0,5	36"	20	299

Certificates	Manufacturer	Sectors
		Industrial



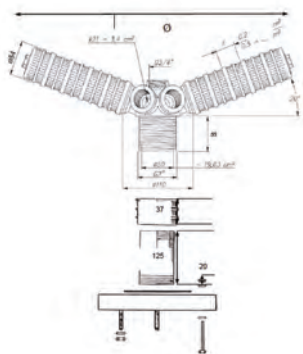
Pressure Vessels Accessories

Lower lateral systems with 6 laterals hub for flanged pressure vessels



- Lower lateral system for 6" flanged pressure vessels;
- Flange material PVC;
- Complete with AISI 304 bolts and washer;
- Hub at 6 laterals;
- Laterals in PP, slots 0,2 or 0,5 mm, length as table below.

Ref	Description	Fam.	Subfam.		Price Euro
PV520	LOWER LATERAL SYSTEM FLANG. 6" DN65 PRES.VES. 18"-21" SLOTS 0,2MM*	45	201		386,15
PV521	LOWER LATERAL SYSTEM FLANG. 6" DN65 PRES.VES.24"SLOTS 0,2MM*	45	201		394,81
PV522	LOWER LATERAL SYSTEM FLANG. 6" DN65 PRES.VES.30"SLOTS 0,2MM*	45	201		409,91
PV523	LOWER LATERAL SYSTEM FLANG. 6" DN65 PRES.VES.36"SLOTS 0,2MM*	45	201		425,67
PV524	LOWER LATERAL SYSTEM FLANG. 6"-DN65 PRES.VES. 18"-21" DIFF. 0,5MM*	45	201		386,15
PV525	LOWER LATERAL SYSTEM FLANG. 6" DN65 PRES.VES.24"SLOTS 0,5MM*	45	201		394,81
PV526	LOWER LATERAL SYSTEM FLANG. 6" DN65 PRES.VES. 30"SLOTS 0,5MM*	45	201		409,91
PV527	LOWER LATERAL SYSTEM FLANG. 6" DN65 PRES.VES.36"SLOTS 0,5MM*	45	201		425,67



Ref	Ø Vessel	Connection	Lateral lenght (mm)	Ø Diameter (mm)	Slots (mm)	Flow (m³/h) Δ0,2 bar p
PV520	18" - 21"	DN 65	144	374	0,2	22
PV521	24"	DN 65	175	432	0,2	23
PV522	30"	DN 65	237	549	0,2	24
PV523	36"	DN 65	299	665	0,2	25
PV524	18" - 21"	DN 65	144	374	0,5	22
PV525	24"	DN 65	175	432	0,5	23
PV526	30"	DN 65	237	549	0,5	24
PV527	36"	DN 65	299	665	0,5	25

Certificates	Manufacturer	Sectors
		Industrial

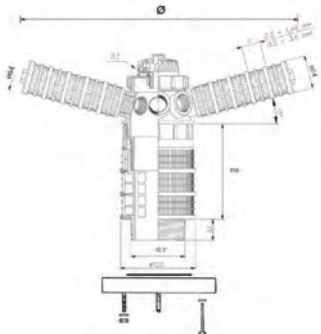


Lower lateral systems with 8 laterals hub for flanged pressure vessels

- Lower lateral system for 6" flanged pressure vessels;
- Flange material PVC;
- Complete with AISI 304 bolts and washer;
- Hub at 8 laterals;
- Laterals in PP, slots 0,2 or 0,5 m

Ref	Description	Fam.	Subfam.		Price Euro
PV522A	LOWER LATERAL SYSTEM FLANG. 6" -DN65 HF PRES.VES.30" DIFF. 0,2MM*	45	201		890,80
PV523A	LOWER LATERAL SYSTEM FLANG. 6" DN65 HF PRES.VES.36" SLOTS 0,2MM*	45	201		911,82
PV528	LOWER LATERAL SYSTEM FLANG. 6" DN80 PRES.VES.24"SLOTS 0,2MM*	45	201		613,51
PV529	LOWER LATERAL SYSTEM FLANG. 6" DN80 PRES.VES.30"SLOTS 0,2MM*	45	201		633,64
PV530	LOWER LATERAL SYSTEM FLANG. 6" DN80 PRES.VES.36"SLOTS 0,2MM*	45	201		654,65
PV526A	LOWER LATERAL SYSTEM FLANG. 6" DN65 HF PRES.VES.30" SLOTS 0,5MM*	45	201		890,80
PV527A	LOWER LATERAL SYSTEM FLANG. 6" DN65 HF PRES.VES.36" SLOTS 0,5MM*	45	201		911,82
PV531	LOWER LATERAL SYSTEM FLANG. 6" DN80 PRES.VES.24"SLOTS 0,5MM*	45	201		613,51
PV532	LOWER LATERAL SYSTEM FLANG. 6" DN80 PRES.VES.30"SLOTS 0,5MM*	45	201		633,64
PV533	LOWER LATERAL SYSTEM FLANG. 6" DN80 PRES.VES.36"SLOTS 0,5MM*	45	201		654,65

Ref	Ø Vessel	Connection	Lateral lenght (mm)	Ø Diameter	Slots (mm)	Flow (m³/h) Δp 0,2 bar
PV522A	30"	DN 65	237	580	0,2	25
PV523A	36"	DN 65	299	699	0,2	30
PV528	24"	DN 80	175	461	0,2	34
PV529	30"	DN 80	237	580	0,2	36
PV530	36"	DN 80	299	699	0,2	38
PV526A	30"	DN 65	237	580	0,5	25
PV527A	36"	DN 65	299	699	0,5	30
PV531	24"	DN 80	175	461	0,5	34
PV532	30"	DN 80	237	580	0,5	36
PV533	36"	DN 80	299	699	0,5	38



Certificates	Manufacturer	Sectors
		Industrial



Pressure Vessels Accessories

Lower double lateral systems for flanged pressure vessels

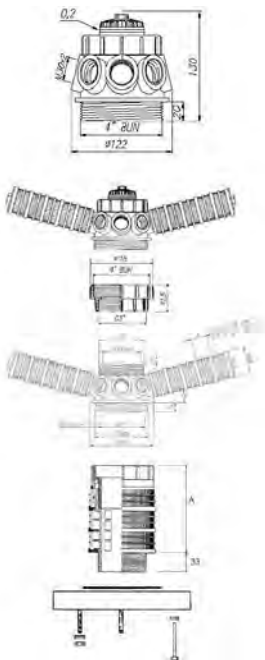
- Lower double lateral system for 6" flanged pressure vessels;
- Flange material PVC, bolts in AISI 304;
- Complete with bolts and washer;
- Double hub at 8 + 8 laterals;
- Laterals in PP, slots 0,2 or 0,5 mm, length as table below.



Ref	Description	Fam.	Subfam.		Price Euro
PV555	LOWER LATERAL SYSTEM FLANG. 6" DN80 PRES.VES.63"SLOTS 0,2 MM*	45	201		1179,50
PV538	LOWER LATERAL SYSTEM FLANG 6" DN100 PRES. VES. 63" DIFF 0,2 MM*	45	201		1192,23
PV556	LOWER LATERAL SYSTEM FLANG. 6" DN80 PRES.VES.63"SLOTS 0,5 MM*	45	201		1179,50
PV539	LOWER LATERAL SYSTEM FLANG. 6" DN100 PRES.VES.63"SLOTS 0,5 MM*	45	201		1192,23

Ref	Lateral quantity	A (mm)	Slots (mm)	Flow (m3/h) Δp 0,2 bar	Diffusor lenght (mm)	Ø System diameter (mm)
PV555	8 + 8	190	0,2	45	578-640	1239-1359
PV538	8 + 8	190	0,2	60	578-640	1239-1359
PV556	8 + 8	190	0,5	45	578-640	1239-1359
PV539	8 + 8	190	0,5	60	578-640	1239-1359

Certificates	Manufacturer	Sectors
		Industrial



Ref	Description	Fam.	Subfam.		Price Euro
PV534	LOWER LATERAL SYSTEM FLANG. 6" DN80 PRES.VES.42"SLOTS 0,2 MM*	45	201		981,21
PV535	LOWER LATERAL SYSTEM FLANG. 6" DN80 PRES. VES. 48" DIFF. 0,2 MM*	45	201		1066,76
PV536	LOWER LATERAL SYSTEM FLANG. 6" DN80 PRES.VES.42"SLOTS 0,5 MM*	45	201		981,21
PV537	LOWER LATERAL SYSTEM FLANG. 6" DN80 PRES.VES.48"SLOTS 0,5 MM*	45	201		1066,76

Ref	Lateral quantity	A (mm)	Slots (mm)	Flow (m3/h) Δp 0,2 bar	Diffusor lenght (mm)	Ø Systems (mm)
PV534	8 + 8	150	0,2	38	361-423	819-939
PV535	8 + 8	150	0,2	38	423-485	939-1059
PV536	8 + 8	150	0,5	38	361-423	819-939
PV537	8 + 8	150	0,5	38	423-485	939-1059

Certificates	Manufacturer	Sectors
		Industrial



Pressure Vessels Accessories

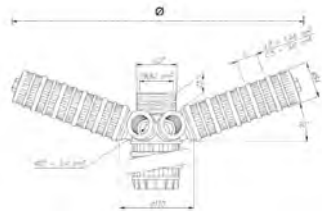
Top mount lower lateral systems for flanged pressure vessels



- Lower lateral system for 6" flanged pressure vessels for top mount valve, with 6 laterals;
- Material hub and laterals PP, length as table below;
- Slots 0,2 or 0,5 mm;
- To install with 2" adapter for the needed riser tube diameter.

Ref	Description	Fam.	Subfam.		Price Euro
PV540	LOWER LATERAL SYSTEM TOP MOUNT PRES.VES. 18"-21" SLOTS 0,2 MM*	45	201		96,61
PV544	LOWER LATERAL SYSTEM TOP MOUNT PRES.VES. 18"-21" SLOTS 0,5 MM*	45	201		96,61

Ref	Ø Vessel	Diffusor lenght (mm)	Ø Diameter (mm)	Slots (mm)	Flow (m ³ /h) Δp 0,2 bar
PV540	18" - 21"	144	374	0,2	22
PV544	18" - 21"	144	374	0,5	22



Ref	Description	Fam.	Subfam.		Price Euro
PV541	LOWER LATERAL SYSTEM TOP MOUNT PRES.VES. 24" SLOTS 0,2 MM*	45	201		105,22
PV545	LOWER LATERAL SYSTEM TOP MOUNT PRES.VES. 24" DIFF. 0,5 MM*	45	201		105,22

Ref	Vessel	Diffusor lenght (mm)	Ø Diameter (mm)	Slots (mm)	Flow (m ³ /h) Δp 0,2 bar
PV541	24"	175	432	0,2	23
PV545	24"	175	432	0,5	23

Certificates	Manufacturer	Sectors
		Industrial



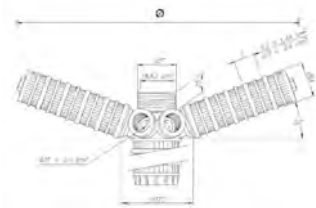
Pressure Vessels Accessories



Ref	Description	Fam.	Subfam.		Price Euro
PV542	LOWER LATERAL SYSTEM TOP MOUNT PRES.VES. 30" SLOTS 0,2 MM*	45	201		120,29
PV546	LOWER LATERAL SYSTEM TOP MOUNT PRES.VES. 30" SLOTS 0,5 MM*	45	201		120,29

Ref	Ø Vessel	Diffusor lenght (mm)	Ø Diameter (mm)	Slots (mm)	Flow (m³/h) Δp 0,2 bar
PV542	30"	237	549	0,2	24
PV546	30"	237	549	0,5	24

Certificates	Manufacturer	Sectors
		Industrial



Ref	Description	Fam.	Subfam.		Price Euro
PV543	LOWER LATERAL SYSTEM TOP MOUNT PRES.VES. 36" SLOTS 0,2 MM*	45	201		136,28
PV547	LOWER LATERAL SYSTEM TOP MOUNT PRES.VES. 36" SLOTS 0,5 MM*	45	201		136,28

Ref	Ø Vessel	Diffusor lenght (mm)	Ø Diameter (mm)	Slots (mm)	Flow (m³/h) Δp 0,2 bar
PV543	36"	299	665	0,2	25
PV547	36"	299	665	0,5	25

Certificates	Manufacturer	Sectors
		Industrial

2" gas adapter

- 2" GAS adapters with connection to glue;
- Material PVC.

Ref	Description	Fam.	Subfam.		Price Euro
PV384	ADAPTER F/F 2"x41,8 MM TO GLUE	45	201		22,18
PV385	ADAPTER F/F 2"x48,3 MM TO GLUE	45	201		22,41
PV386	ADAPTER F/F 2"x50 MM TO GLUE	45	201		14,15
PV387	ADAPTER F/F 2"x63 MM TO GLUE	45	201		14,15

Ref	Description	Connection to glue (mm)
PV384	ADAPTER F/F 2"x41,8 MM TO GLUE	41,8
PV385	ADAPTER F/F 2"x48,3 MM TO GLUE	48,3
PV386	ADAPTER F/F 2"x50 MM TO GLUE	50,0
PV387	ADAPTER F/F 2"x63 MM TO GLUE	63,0

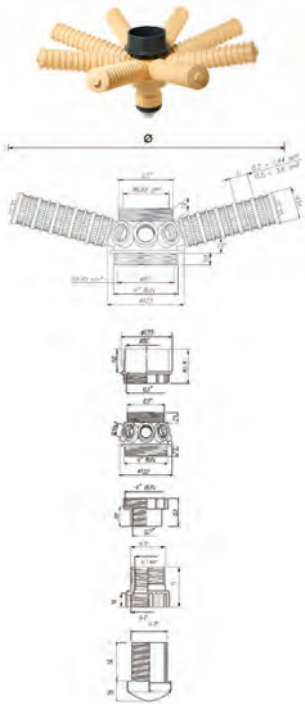
Certificates	Manufacturer	Sectors
		Industrial



Pressure Vessels Accessories

Top mount lower lateral systems for tubes diameter 90 mm

- Lower lateral system for 6" flanged pressure vessels for top mount valve, with 8 laterals;
- Material hub and laterals PP, length as table below;
- Slots 0,2;
- To glue on tube diameter 90 mm.



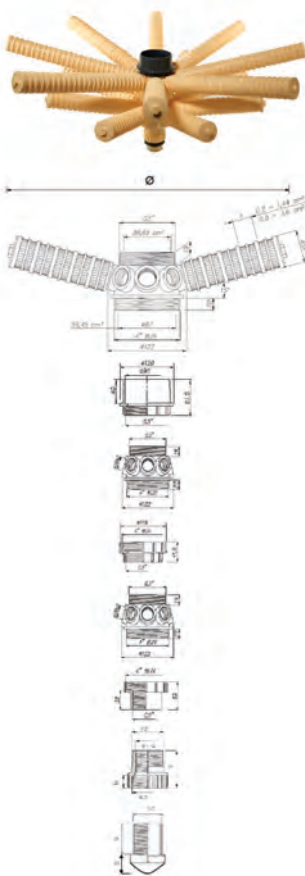
Ref	Description	Fam.	Subfam.		Price Euro
PV548	LOWER LATERAL SYSTEM TOP MOUNT PRES.VES. 30" FORTUBE 90 MM SLOTS 0,2 MM*	45	201		262,96
PV549	LOWER LATERAL SYSTEM TOP MOUNT PRES.VES. 36" TUBE90 MM SLOTS 0,2 MM*	45	201		284,26

Ref	Diffusor lenght (mm)	Ø Diameter	Slots (mm)	Flow (m³/h) Δp 0,2 bar
PV548	237	580	0,2	36
PV549	299	699	0,2	38

Certificates	Manufacturer	Sectors
		Industrial

Top mount lower double lateral systems for tubes diameter 90 mm

- Lower lateral system for 6" flanged pressure vessels for top mount valve, with 8+8 laterals;
- Material hub and laterals PP, length as table below;
- Slots 0,2;
- To glue on tube diameter 90 mm.



Ref	Description	Fam.	Subfam.		Price Euro
PV550	LOWER LATERAL SYSTEM TOP MOUNT PRES.VES. 42" FORTUBE 90 MM SLOTS 0,2 MM*	45	201		581,36
PV551	LOWER LATERAL SYSTEM TOP MOUNT PRES.VES. 48" TUBE90 MM SLOTS 0,2 MM*	45	201		623,99

Ref	Laterals quantity	Lateral lenght (mm)	Ø Diameter (mm)	Slots(mm)	Flow (m³/h) Δp 0,2 bar
PV550	8 + 8	299-423	699-939	0,2	38
PV551	8 + 8	361-485	361-485	0,2	38

Box: WxLxH	Box: Q.ty	Box: Weight	Pallet: WxLxH	Pallet: Q.ty	Pallet: Weight

Certificates	Manufacturer	Sectors
		Industrial

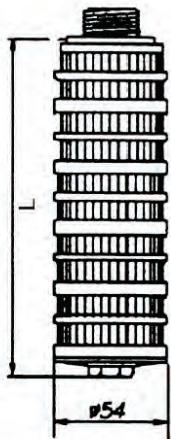


Pressure Vessels Accessories

Cylindrical laterals

- Cylindrical laterals with threaded connection M 30x2;
- Material PP;
- Diameter 54 mm;
- Slots 0,2 or 0,5 mm.

Laterals with 0,2 mm slots



Ref	Description	Fam.	Subfam.		Price Euro
PV345	LATERAL DIFFUSER M 30 X 2 L=113 - 0,2 MM	45	201		7,11
PV370	LATERAL DIFFUSER M 30X2 L=144 - 0,2 MM	45	201		8,29
PV346	LATERAL DIFFUSER M 30 X 2 L=175 - 0,2 MM	45	201		9,74
PV371	LATERAL DIFFUSER M 30X2 L=206 - 0,2 MM	45	201		10,88
PV347	LATERAL DIFFUSER M 30 X 2 L=237 - 0,2 MM	45	201		12,25
PV348	LATERAL DIFFUSER M 30 X 2 L=299 - 0,2 MM	45	201		14,88
PV372	LATERAL DIFFUSER M 30X2 L=361 - 0,2 MM	45	201		17,62
PV373	LATERAL DIFFUSER M 30X2 L=423 - 0,2 MM	45	201		25,72
PV374	LATERAL DIFFUSER M 30X2 L=485 - 0,2MM	45	201		28,31
PV389	LATERAL DIFFUSER M 30X2 L=578 - 0,2 MM	45	201		32,08
PV391	LATERAL DIFFUSER M30x2 L = 640 MM SLOTS 0,2 MM	45	201		34,64

Ref	Description	L (mm)
PV345	LATERAL DIFFUSER M 30 X 2 L=113 - 0,2 MM	113
PV370	LATERAL DIFFUSER M 30X2 L=144 - 0,2 MM	144
PV346	LATERAL DIFFUSER M 30 X 2 L=175 - 0,2 MM	175
PV371	LATERAL DIFFUSER M 30X2 L=206 - 0,2 MM	206
PV347	LATERAL DIFFUSER M 30 X 2 L=237 - 0,2 MM	237
PV348	LATERAL DIFFUSER M 30 X 2 L=299 - 0,2 MM	299
PV372	LATERAL DIFFUSER M 30X2 L=361 - 0,2 MM	361
PV373	LATERAL DIFFUSER M 30X2 L=423 - 0,2 MM	423
PV374	LATERAL DIFFUSER M 30X2 L=485 - 0,2MM	485
PV389	LATERAL DIFFUSER M 30X2 L=578 - 0,2 MM	578
PV391	LATERAL DIFFUSER M30x2 L = 640 MM SLOTS 0,2 MM	640

Certificates	Manufacturer	Sectors
		Industrial



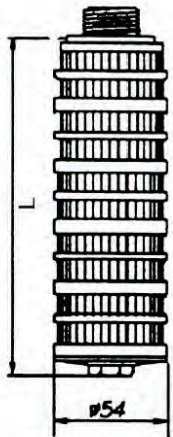
Cylindrical laterals

- Cylindrical laterals with threaded connection M 30x2;
- Material PP;
- Diameter 54 mm;
- Slots 0,2 or 0,5 mm.

Laterals with 0,5 mm slots

Ref	Description	Fam.	Subfam.		Price Euro
PV375	LATERAL DIFFUSER M 30X2 L=113 - 0,5 MM	45	201		7,11
PV376	LATERAL DIFFUSER M 30X2 L=144 - 0,5 MM	45	201		8,29
PV377	LATERAL DIFFUSER M 30X2 L=175 - 0,5 MM	45	201		9,74
PV378	LATERAL DIFFUSER M 30X2 L=206 - 0,5 MM	45	201		10,88
PV379	LATERAL DIFFUSER M 30X2 L=237 - 0,5 MM	45	201		12,25
PV380	LATERAL DIFFUSER M 30X2 L=299 - 0,5 MM	45	201		14,88
PV381	LATERAL DIFFUSER M 30X2 L=361 - 0,5 MM	45	201		17,62
PV382	LATERAL DIFFUSER M 30X2 L=423 - 0,5 MM	45	201		25,72
PV383	LATERAL DIFFUSER M 30X2 L=485 - 0,5 MM	45	201		28,31
PV390	LATERAL DIFFUSER M30x2 L = 578 - 0,5 MM	45	201		32,08
PV392	LATERAL DIFFUSER M 30X2 L=640 - 0,5 MM	45	201		34,64

Ref	Description	L (mm)
PV375	LATERAL DIFFUSER M 30X2 L=113 - 0,5 MM	113
PV376	LATERAL DIFFUSER M 30X2 L=144 - 0,5 MM	144
PV377	LATERAL DIFFUSER M 30X2 L=175 - 0,5 MM	175
PV378	LATERAL DIFFUSER M 30X2 L=206 - 0,5 MM	206
PV379	LATERAL DIFFUSER M 30X2 L=237 - 0,5 MM	237
PV380	LATERAL DIFFUSER M 30X2 L=299 - 0,5 MM	299
PV381	LATERAL DIFFUSER M 30X2 L=361 - 0,5 MM	361
PV382	LATERAL DIFFUSER M 30X2 L=423 - 0,5 MM	423
PV383	LATERAL DIFFUSER M 30X2 L=485 - 0,5 MM	485
PV390	LATERAL DIFFUSER M30x2 L = 578 - 0,5 MM	578
PV392	LATERAL DIFFUSER M 30X2 L=640 - 0,5 MM	640



Certificates	Manufacturer	Sectors
		Industrial



Pressure Vessels Accessories

Flange coupling kit



- For 6" flanged pressure vessels;
- Including flange adaptor and coupling flange in PVC;
- With gasket in EPDM.

Ref	Description	Fam.	Subfam.		Price Euro
PV594M	FLANGE COUPLING KIT DN65-D75-2"1/2*	45	210		78,75
PV595M	FLANGE COUPLING KIT DN80-D90-3"*	45	210		92,99
PV596M	FLANGE COUPLING KIT DN100-D110-4"*	45	210		116,71

Ref	Description	Connection
PV594M	FLANGE COUPLING KIT DN65-D75-2"1/2*	DN65
PV595M	FLANGE COUPLING KIT DN80-D90-3"*	DN80
PV596M	FLANGE COUPLING KIT DN100-D110-4"*	DN100

Certificates	Manufacturer	Sectors
		Industrial

PV295



PV395



Mineral tank funnels

- The tank funnels are designed for filling mineral tanks with granular media and ion exchange resin;
- The funnels are designed to fit 2,5", 4" and 6" mineral tank openings;
- These economical funnels are nestable to reduce shipping and storage costs;
- The funnel ref. PV395 snaps into a 4" or 6" mineral tank opening for stability when pouring media. The neck of the funnel has been carefully designed to allow trapped air inside the mineral tank to escape when media is poured in. This heavy duty part is blow molded out of high density polyethylene for exceptional strength and durability. The oval design provides an extra wide opening for ease of use when pouring. Handles are molded into the funnel for added convenience.

Ref	Description	Fam.	Subfam.		Price Euro
PV295	MINERAL TANK FUNNEL 2.5"	45	196		6,09
PV395	MINERAL TANK FUNNEL 4" - 6"	45	201		32,96

Certificates	Manufacturer	Sectors
		Domestic, Commercial, Industrial

Cabinets MWG





Cabinets for Softeners Mini Cab Series

- Tanks and covers made in European Union (Italy);
- Cabinets for residential softeners, complete with salt lid and cover of exclusive design;
- With MWG tank;
- Materials: tank in HDPE, cover in polystyrene;
- Standard colours: white tank and blue, white or black cover;
- On demand and for quantities we can realize customized colours;
- EU design patent no. 003156272.

(**) minimum order quantity = 250 pcs.



Ref	Description	Fam.	Subfam.	Note	Price Euro
C0513MWMAS	MWG CAB. MINI CAB WHITE BODY - LIGHT BLUE COVER 5X13*	45	210		92,26
C0513MWMWS	MWG CAB. MINI CAB WHITE BODY - WHITE COVER 5X13*	45	210	(**)	92,26
C0513MWMDS	MWG CAB. MINI CAB WHITE BODY - BLACK COVER 5X13*	45	210	(**)	92,26
C0613MWMAS	MWG CAB. MINI MWG CAB. WHITE BODY - LIGHT BLUE COVER 6X13*	45	210		96,69
C0613MWMWS	MWG CAB. MINI MWG CAB. WHITE BODY - WHITE COVER 6X13*	45	210	(**)	96,69
C0613MWMDS	MWG CAB. MINI MWG CAB. WHITE BODY - BLACK COVER 6X13*	45	210		96,69
C0713MWMAS	MWG CAB. MINI MWG CAB. WHITE BODY - LIGHT BLUE COVER 7X13*	45	210		99,63
C0713MWMWS	MWG CAB. MINI MWG CAB. WHITE BODY - WHITE COVER 7X13*	45	210		99,63
C0713MWMDS	MWG CAB. MINI CAB WHITE BODY - BLACK COVER 7X13*	45	210		99,63

Ref	Width (mm)	Length (mm)	Height (mm)	With MWG tank
C0513MWMAS	220	365	333	5 x 13
C0513MWMWS	220	365	333	5 x 13
C0513MWMDS	220	365	333	5 x 13
C0613MWMAS	220	365	333	6 x 13
C0613MWMWS	220	365	333	6 x 13
C0613MWMDS	220	365	333	6 x 13
C0713MWMAS	220	365	333	7 x 13
C0713MWMWS	220	365	333	7 x 13
C0713MWMDS	220	365	333	7 x 13

Box: WxLxH	Box: Q.ty	Box: Weight	Pallet: WxLxH	Pallet: Q.ty	Pallet: Weight

Certificates	Manufacturer	Sectors
	MWG	Domestic



Cabinets for Softeners New Junior Series



- Tanks and covers made in European Union (Italy);
- Cabinets for residential softeners, complete with salt lid;
- With MWG tank;
- Materials: tank in HDPE, salt lid in polystyrene;
- Standard colours: tank white, salt lid black;
- Different colours available on demand ;
- EU design patent no. 003156272.

(**) minimum order quantity = 250 pcs.

Ref	Description	Fam.	Subfam.	Note	Price Euro
C0513GWGD	MWG CAB. NEW JUNIOR 13 WHITE BODY - BLACK COVER 5X13*	45	210	(**)	74,97
C0613GWGD	MWG CAB. NEW JUNIOR 13 WHITE BODY - BLACK COVER 6X13*	45	210		79,42
C0713GWGD	MWG CAB. NEW JUNIOR 13 WHITE BODY - BLACK COVER 7X13*	45	210		81,92
C0813GWGD	MWG CAB. NEW JUNIOR 13 WHITE BODY - BLACK COVER 8X13*	45	210		84,84

Ref	Width (mm)	Length (mm)	Height (mm)
C0513GWGD	240	435	330
C0613GWGD	240	435	330
C0713GWGD	240	435	330
C0813GWGD	240	435	330

Box: WxLxH	Box: Q.ty	Box: Weight	Pallet: WxLxH	Pallet: Q.ty	Pallet: Weight

Accessories

Ref	Description	Fam.	Subfam.	Note	Price Euro
PA011	MWG BRINE WELL D=100 MM H=220 MM (CAB. 13")	45	215		11,06
PA001	MWG CAP FOR BRINE WELL D=100 MM	45	215		0,58

Certificates	Manufacturer	Sectors
	MWG	Domestic

Ref	Description	Fam.	Subfam.	Note	Price Euro
C0717GWGD	MWG CAB. NEW JUNIOR 17 WHITE BODY - BLACK COVER 7X17*	45	210		89,66
C0817GWGD	MWG CAB. NEW JUNIOR 17 WHITE BODY - BLACK COVER 8X17*	45	210		92,97

Ref	Width (mm)	Length (mm)	Height (mm)
C0717GWGD	240	435	432
C0817GWGD	240	435	432

Box: WxLxH	Box: Q.ty	Box: Weight	Pallet: WxLxH	Pallet: Q.ty	Pallet: Weight

Accessories

Ref	Description	Fam.	Subfam.	Note	Price Euro
PA002	MWG BRINE WELL D=100 MM H=340 MM (CAB. 17")	45	215		11,76
PA001	MWG CAP FOR BRINE WELL D=100 MM	45	215		0,58

Certificates	Manufacturer	Sectors
	MWG	Domestic



Cabinets for Softeners New Junior Series



Ref	Description	Fam.	Subfam.	Note	Price Euro
C0724GWGD	MWG CAB. NEW JUNIOR 24 WHITE BODY - BLACK COVER 7X24*	45	210		113,20
C0824GWGD	MWG CAB. NEW JUNIOR 24 WHITE BODY - BLACK COVER 8X24*	45	210		115,11

Ref	Width (mm)	Length (mm)	Height (mm)
C0724GWGD	240	435	610
C0824GWGD	240	435	610

Box: WxLxH	Box: Q.ty	Box: Weight	Pallet: WxLxH	Pallet: Q.ty	Pallet: Weight

Accessories

Ref	Description	Fam.	Subfam.	Note	Price Euro
PA074	MWG BRINE WELL D=100 MM H=520 MM (CAB. 24" + BRINETANK 100L)	45	215		13,20
PA001	MWG CAP FOR BRINE WELL D=100 MM	45	215		0,58

Certificates	Manufacturer	Sectors
	MWG	Domestic



Cabinets for Softeners Slim Line Series



- Tanks and covers made in European Union (Italy);
- Cabinets for residential softeners, complete with salt lid and cover of exclusive design;
- With MWG tank;
- Materials: tank in HDPE, cover in polystyrene;
- Standard colours: white tank and blue, white or black cover;
- On demand and for quantities we can realize customized colours;
- EU design patent no. 003156272.

(**) minimum order quantity = 250 pcs.

Ref	Description	Fam.	Subfam.	Note	Price Euro
C0717LWSAS	MWG CAB. SLIM LINE WHITE BODY - LIGHT BLUE COVER 7X17*	45	210		120,41
C0717LWSWS	MWG CAB. SLIM LINE WHITE BODY - WHITE COVER 7X17*	45	210	(**)	120,41
C0717LWSDS	MWG CAB. SLIM LINE WHITE BODY - BLACK COVER 7X17*	45	210	(**)	120,41
C0817LWSAS	MWG CAB. SLIM LINE WHITE BODY - LIGHT BLUE COVER 8X17*	45	210		123,76
C0817LWSWS	MWG CAB. SLIM LINE WHITE BODY - WHITE COVER 8X17*	45	210		123,76
C0817LWSDS	MWG CAB. SLIM LINE WHITE BODY - BLACK COVER 8X17*	45	210	(**)	123,76
C0917LWSAS	MWG CAB. SLIM LINE WHITE BODY - LIGHT BLUE COVER 9X17*	45	210		124,83
C0917LWSWS	MWG CAB. SLIM LINE WHITE BODY - WHITE COVER 9X17*	45	210	(**)	124,83
C0917LWSDS	MWG CAB. SLIM LINE WHITE BODY - BLACK COVER 9X17*	45	210	(**)	124,83
C1017LWSAS	MWG CAB. SLIM LINE WHITE BODY - LIGHT BLUE COVER 10X17*	45	210		129,57
C1017LWSWS	MWG CAB. SLIM LINE WHITE BODY - WHITE COVER 10X17*	45	210	(**)	129,57
C1017LWSDS	MWG CAB. SLIM LINE WHITE BODY - BLACK COVER 10X17*	45	210		129,57

Ref	Width (mm)	Length (mm)	Height (mm)
C0717LWSAS	320	500	440
C0717LWSWS	320	500	440
C0717LWSDS	320	500	440
C0817LWSAS	320	500	440
C0817LWSWS	320	500	440
C0817LWSDS	320	500	440
C0917LWSAS	320	500	440
C0917LWSWS	320	500	440
C0917LWSDS	320	500	440
C1017LWSAS	320	500	440
C1017LWSWS	320	500	440
C1017LWSDS	320	500	440

Box: WxLxH	Box: Q.ty	Box: Weight	Pallet: WxLxH	Pallet: Q.ty	Pallet: Weight

Accessories

Ref	Description	Fam.	Subfam.	Note	Price Euro
PA002	MWG BRINE WELL D=100 MM H=340 MM (CAB. 17")	45	215		11,76
PA001	MWG CAP FOR BRINE WELL D=100 MM	45	215		0,58

Certificates	Manufacturer	Sectors
	MWG	Domestic



Cabinets for Softeners Slim Line Series



Ref	Description	Fam.	Subfam.	Note	Price Euro
C0735LWSAS	MWG CAB. SLIM LINE WHITE BODY - LIGHT BLUE COVER 7X35*	45	210	(**)	177,56
C0735LWSWS	MWG CAB. SLIM LINE WHITE BODY - WHITE COVER 7X35*	45	210	(**)	177,56
C0735LWSDS	MWG CAB. SLIM LINE WHITE BODY - BLACK COVER 7X35*	45	210	(**)	177,56
C0835LWSAS	MWG CAB. SLIM LINE WHITE BODY - LIGHT BLUE COVER 8X35*	45	210		182,22
C0835LWSWS	MWG CAB. SLIM LINE WHITE BODY - WHITE COVER 8X35*	45	210	(**)	182,22
C0835LWSDS	MWG CAB. SLIM LINE WHITE BODY - BLACK COVER 8X35*	45	210		182,22
C0935LWSAS	MWG CAB. SLIM LINE WHITE BODY - LIGHT BLUE COVER 9X35*	45	210		186,72
C0935LWSWS	MWG CAB. SLIM LINE WHITE BODY - WHITE COVER 9X35*	45	210	(**)	186,72
C0935LWSDS	MWG CAB. SLIM LINE WHITE BODY - BLACK COVER 9X35*	45	210	(**)	186,72
C1035LWSAS	MWG CAB. SLIM LINE WHITE BODY - LIGHT BLUE COVER 10X35*	45	210		196,90
C1035LWSWS	MWG CAB. SLIM LINE WHITE BODY - WHITE COVER 10X35*	45	210	(**)	196,90
C1035LWSDS	MWG CAB. SLIM LINE WHITE BODY - BLACK COVER 10X35*	45	210		196,90

Ref	Width (mm)	Length (mm)	Height (mm)
C0735LWSAS	320	500	900
C0735LWSWS	320	500	900
C0735LWSDS	320	500	900
C0835LWSAS	320	500	900
C0835LWSWS	320	500	900
C0835LWSDS	320	500	900
C0935LWSAS	320	500	900
C0935LWSWS	320	500	900
C0935LWSDS	320	500	900
C1035LWSAS	320	500	900
C1035LWSWS	320	500	900
C1035LWSDS	320	500	900

Accessories

Ref	Description	Fam.	Subfam.	Note	Price Euro
PA076	MWG BRINE WELL D=100 MM H=780 MM (CAB. 35" SURF/LINE)	45	215		16,79
PA001	MWG CAP FOR BRINE WELL D=100 MM	45	215		0,58

Certificates	Manufacturer	Sectors
	MWG	Domestic



Cabinets for Softeners Slim Line Series



Ref	Description	Fam.	Subfam.	Note	Price Euro
C0724LWSAS	MWG CAB. SLIM LINE WHITE BODY - LIGHT BLUE COVER 7X24*	45	210	(**)	154,23
C0724LWSWS	MWG CAB. SLIM LINE WHITE BODY - WHITE COVER 7X24*	45	210	(**)	154,23
C0724LWSDS	MWG CAB. SLIM LINE WHITE BODY - BLACK COVER 7X24*	45	210	(**)	154,23
C0824LWSAS	MWG CAB. SLIM LINE WHITE BODY - LIGHT BLUE COVER 8X24*	45	210		156,15
C0824LWSWS	MWG CAB. SLIM LINE WHITE BODY - WHITE COVER 8X24*	45	210	(**)	156,15
C0824LWSDS	MWG CAB. SLIM LINE WHITE BODY - BLACK COVER 8X24*	45	210	(**)	156,15
C0924LWSAS	MWG CAB. SLIM LINE WHITE BODY - LIGHT BLUE COVER 9X24*	45	210		157,20
C0924LWSWS	MWG CAB. SLIM LINE WHITE BODY - WHITE COVER 9X24*	45	210	(**)	157,20
C0924LWSDS	MWG CAB. SLIM LINE WHITE BODY - BLACK COVER 9X24*	45	210		157,20
C1024LWSAS	MWG CAB. SLIM LINE WHITE BODY - LIGHT BLUE COVER 10X24*	45	210		160,07
C1024LWSWS	MWG CAB. SLIM LINE WHITE BODY - WHITE COVER 10X24*	45	210		160,07
C1024LWSDS	MWG CAB. SLIM LINE WHITE BODY - BLACK COVER 10X24*	45	210	(**)	160,07

Ref	Width (mm)	Length (mm)	Height (mm)
C0724LWSAS	320	500	620
C0724LWSWS	320	500	620
C0724LWSDS	320	500	620
C0824LWSAS	320	500	620
C0824LWSWS	320	500	620
C0824LWSDS	320	500	620
C0924LWSAS	320	500	620
C0924LWSWS	320	500	620
C0924LWSDS	320	500	620
C1024LWSAS	320	500	620
C1024LWSWS	320	500	620
C1024LWSDS	320	500	620

Box: WxLxH	Box: Q.ty	Box: Weight	Pallet: WxLxH	Pallet: Q.ty	Pallet: Weight

Accessories

Ref	Description	Fam.	Subfam.	Note	Price Euro
PA074	MWG BRINE WELL D=100 MM H=520 MM (CAB. 24" + BRINETANK 100L)	45	215		13,20
PA001	MWG CAP FOR BRINE WELL D=100 MM	45	215		0,58

Certificates	Manufacturer	Sectors
	MWG	Domestic



Cabinets for Softeners Slim Surf Series



- Tanks and covers made in European Union (Italy);
- Cabinets for residential softeners, complete with salt lid and cover of exclusive design;
- With MWG tank;
- Materials: tank in HDPE, cover in polystyrene;
- Standard colours: white tank and blue, white or black cover;
- On demand and for quantities we can realize customized colours;
- EU design patent no. 003156272.

(**) minimum order quantity = 250 pcs.

Ref	Description	Fam.	Subfam.	Note	Price Euro
C0717SWSAS	MWG CAB. SLIM SURF WHITE BODY - LIGHT BLUE COVER 7X17*	45	210		120,41
C0717SWSWS	MWG CAB. SLIM SURF WHITE BODY - WHITE COVER 7X17*	45	210	(**)	120,41
C0717SWSDS	MWG CAB. SLIM SURF WHITE BODY - BLACK COVER 7X17*	45	210	(**)	120,41
C0817SWSAS	MWG CAB. SLIM SURF WHITE BODY - LIGHT BLUE COVER 8X17*	45	210		123,76
C0817SWSWS	MWG CAB. SLIM SURF WHITE BODY - WHITE COVER 8X17*	45	210	(**)	123,76
C0817SWSDS	MWG CAB. SLIM SURF WHITE BODY - BLACK COVER 8X17*	45	210	(**)	123,76
C0917SWSAS	MWG CAB. SLIM SURF WHITE BODY - LIGHT BLUE COVER 9X17*	45	210		124,83
C0917SWSWS	MWG CAB. SLIM SURF WHITE BODY - WHITE COVER 9X17*	45	210	(**)	124,83
C0917SWSDS	MWG CAB. SLIM SURF WHITE BODY - BLACK COVER 9X17*	45	210	(**)	124,83
C1017SWSAS	MWG CAB. SLIM SURF WHITE BODY - LIGHT BLUE COVER 10X17*	45	210		129,57
C1017SWSWS	MWG CAB. SLIM SURF WHITE BODY - WHITE COVER 10X17*	45	210	(**)	129,57
C1017SWSDS	MWG CAB. SLIM SURF WHITE BODY - BLACK COVER 10X17*	45	210		129,57

Ref	Width (mm)	Length (mm)	Height (mm)
C0717SWSAS	320	500	440
C0717SWSWS	320	500	440
C0717SWSDS	320	500	440
C0817SWSAS	320	500	440
C0817SWSWS	320	500	440
C0817SWSDS	320	500	440
C0917SWSAS	320	500	440
C0917SWSWS	320	500	440
C0917SWSDS	320	500	440
C1017SWSAS	320	500	440
C1017SWSWS	320	500	440
C1017SWSDS	320	500	440

Box: WxLxH	Box: Q.ty	Box: Weight	Pallet: WxLxH	Pallet: Q.ty	Pallet: Weight

Accessories

Ref	Description	Fam.	Subfam.	Note	Price Euro
PA002	MWG BRINE WELL D=100 MM H=340 MM (CAB. 17")	45	215		11,76
PA001	MWG CAP FOR BRINE WELL D=100 MM	45	215		0,58

Certificates	Manufacturer	Sectors
	MWG	Domestic



Cabinets for Softeners Slim Surf Series



Ref	Description	Fam.	Subfam.	Note	Price Euro
C0724SWSAS	MWG CAB. SLIM SURF WHITE BODY - LIGHT BLUE COVER 7X24*	45	210		154,23
C0724SWSWS	MWG CAB. SLIM SURF WHITE BODY - WHITE COVER 7X24*	45	210	(**)	154,23
C0724SWSDS	MWG CAB. SLIM SURF WHITE BODY - BLACK COVER 7X24*	45	210	(**)	154,23
C0824SWSAS	MWG CAB. SLIM SURF WHITE BODY - LIGHT BLUE COVER 8X24*	45	210		156,15
C0824SWSWS	MWG CAB. SLIM SURF WHITE BODY - WHITE COVER 8X24*	45	210		156,15
C0824SWSDS	MWG CAB. SLIM SURF WHITE BODY - BLACK COVER 8X24*	45	210		156,15
C0924SWSAS	MWG CAB. SLIM SURF WHITE BODY - LIGHT BLUE COVER 9X24*	45	210		157,20
C0924SWSWS	MWG CAB. SLIM SURF WHITE BODY - WHITE COVER 9X24*	45	210	(**)	157,20
C0924SWSDS	MWG CAB. SLIM SURF WHITE BODY - BLACK COVER 9X24*	45	210		157,20
C1024SWSAS	MWG CAB. SLIM SURF WHITE BODY - LIGHT BLUE COVER 10X24*	45	210		160,07
C1024SWSWS	MWG CAB. SLIM SURF WHITE BODY - WHITE COVER 10X24*	45	210		160,07
C1024SWSDS	MWG CAB. SLIM SURF WHITE BODY - BLACK COVER 10X24*	45	210		160,07

Ref	Widht (mm)	Lenght (mm)	Heigth (mm)
C0724SWSAS	320	500	620
C0724SWSWS	320	500	620
C0724SWSDS	320	500	620
C0824SWSAS	320	500	620
C0824SWSWS	320	500	620
C0824SWSDS	320	500	620
C0924SWSAS	320	500	620
C0924SWSWS	320	500	620
C0924SWSDS	320	500	620
C1024SWSAS	320	500	620
C1024SWSWS	320	500	620
C1024SWSDS	320	500	620

Box: WxLxH	Box: Q.ty	Box: Weight	Pallet: WxLxH	Pallet: Q.ty	Pallet: Weight

Accessories

Ref	Description	Fam.	Subfam.	Note	Price Euro
PA074	MWG BRINE WELL D=100 MM H=520 MM (CAB. 24" + BRINETANK 100L)	45	215		13,20
PA001	MWG CAP FOR BRINE WELL D=100 MM	45	215		0,58

Certificates	Manufacturer	Sectors
	MWG	Domestic



Cabinets for Softeners Slim Surf Series



Ref	Description	Fam.	Subfam.	Note	Price Euro
C0735SWSAS	MWG CAB. SLIM SURF WHITE BODY - LIGHT BLUE COVER 7X35*	45	210		177,56
C0735SWSWS	MWG CAB. SLIM SURF WHITE BODY - WHITE COVER 7X35*	45	210	(**)	177,56
C0735SWSDS	MWG CAB. SLIM SURF WHITE BODY - BLACK COVER 7X35*	45	210		177,56
C0835SWSAS	MWG CAB. SLIM SURF WHITE BODY - LIGHT BLUE COVER 8X35*	45	210		182,22
C0835SWSWS	MWG CAB. SLIM SURF WHITE BODY - WHITE COVER 8X35*	45	210	(**)	182,22
C0835SWSDS	MWG CAB. SLIM SURF WHITE BODY - BLACK COVER 8X35*	45	210		182,22
C0935SWSAS	MWG CAB. SLIM SURF WHITE BODY - LIGHT BLUE COVER 9X35*	45	210		186,72
C0935SWSWS	MWG CAB. SLIM SURF WHITE BODY - WHITE COVER 9X35*	45	210	(**)	186,72
C0935SWSDS	MWG CAB. SLIM SURF WHITE BODY - BLACK COVER 9X35*	45	210		186,72
C1035SWSAS	MWG CAB. SLIM SURF WHITE BODY - LIGHT BLUE COVER 10X35*	45	210		196,90
C1035SWSWS	MWG CAB. SLIM SURF WHITE BODY - WHITE COVER 10X35*	45	210		196,90
C1035SWSDS	MWG CAB. SLIM SURF WHITE BODY - BLACK COVER 10X35*	45	210		196,90

Ref	Width (mm)	Length (mm)	Height (mm)
C0735SWSAS	320	500	900
C0735SWSWS	320	500	900
C0735SWSDS	320	500	900
C0835SWSAS	320	500	900
C0835SWSWS	320	500	900
C0835SWSDS	320	500	900
C0935SWSAS	320	500	900
C0935SWSWS	320	500	900
C0935SWSDS	320	500	900
C1035SWSAS	320	500	900
C1035SWSWS	320	500	900
C1035SWSDS	320	500	900

Box: WxLxH	Box: Q.ty	Box: Weight	Pallet: WxLxH	Pallet: Q.ty	Pallet: Weight

Accessories

Ref	Description	Fam.	Subfam.	Note	Price Euro
PA076	MWG BRINE WELL D=100 MM H=780 MM (CAB. 35" SURF/LINE)	45	215		16,79
PA001	MWG CAP FOR BRINE WELL D=100 MM	45	215		0,58

Certificates	Manufacturer	Sectors
	MWG	Domestic



Cabinets for Softeners Top Line Series

- Tanks and covers made in European Union (Italy);
- Cabinets for residential softeners, complete with salt lid and cover of exclusive design;
- With MWG tank;
- Materials: tank in HDPE, cover in polystyrene;
- Standard colours: white tank and blue, white or black cover;
- On demand and for quantities we can realize customized colours;
- EU design patent no. 003156272.

(**) minimum order quantity = 250 pcs.



Ref	Description	Fam.	Subfam.	Note	Price Euro
C0717LWTAS	MWG CAB. TOP LINE WHITE BODY - LIGHT BLUE COVER 7X17*	45	210	(**)	139,46
C0717LWTWS	MWG CAB. TOP LINE WHITE BODY - WHITE COVER 7X17*	45	210	(**)	139,46
C0717LWTDS	MWG CAB. TOP LINE WHITE BODY - BLACK COVER 7X17*	45	210	(**)	139,46
C0817LWTAS	MWG CAB. TOP LINE WHITE BODY - LIGHT BLUE COVER 8X17*	45	210	(**)	142,80
C0817LWTWS	MWG CAB. TOP LINE WHITE BODY - WHITE COVER 8X17*	45	210	(**)	142,80
C0817LWTDS	MWG CAB. TOP LINE WHITE BODY - BLACK COVER 8X17*	45	210	(**)	142,80
C0917LWTAS	MWG CAB. TOP LINE WHITE BODY - LIGHT BLUE COVER 9X17*	45	210	(**)	143,87
C0917LWTWS	MWG CAB. TOP LINE WHITE BODY - WHITE COVER 9X17*	45	210	(**)	143,87
C0917LWTDS	MWG CAB. TOP LINE WHITE BODY - BLACK COVER 9X17*	45	210	(**)	143,87
C1017LWTAS	MWG CAB. TOP LINE WHITE BODY - LIGHT BLUE COVER 10X17*	45	210	(**)	148,60
C1017LWTWS	MWG CAB. TOP LINE WHITE BODY - WHITE COVER 10X17*	45	210	(**)	148,60
C1017LWTDS	MWG CAB. TOP LINE WHITE BODY - BLACK COVER 10X17*	45	210	(**)	148,60

Ref	Width (mm)	Length (mm)	Height (mm)
C0717LWTAS	320	500	670
C0717LWTWS	320	500	670
C0717LWTDS	320	500	670
C0817LWTAS	320	500	670
C0817LWTWS	320	500	670
C0817LWTDS	320	500	670
C0917LWTAS	320	500	670
C0917LWTWS	320	500	670
C0917LWTDS	320	500	670
C1017LWTAS	320	500	670
C1017LWTWS	320	500	670
C1017LWTDS	320	500	670

Box: WxLxH	Box: Q.ty	Box: Weight	Pallet: WxLxH	Pallet: Q.ty	Pallet: Weight

Accessories

Ref	Description	Fam.	Subfam.	Note	Price Euro
PA002	MWG BRINE WELL D=100 MM H=340 MM (CAB. 17")	45	215		11,76
PA001	MWG CAP FOR BRINE WELL D=100 MM	45	215		0,58

Certificates	Manufacturer	Sectors
	MWG	Domestic



Cabinets for Softeners Top Line Series



Ref	Description	Fam.	Subfam.	Note	Price Euro
C0724LWTAS	MWG CAB. TOP LINE WHITE BODY - LIGHT BLUE COVER 7X24*	45	210	(**)	173,28
C0724LWTWS	MWG CAB. TOP LINE WHITE BODY - WHITE COVER 7X24*	45	210	(**)	173,28
C0724LWTDS	MWG CAB. TOP LINE WHITE BODY - BLACK COVER 7X24*	45	210	(**)	173,28
C0824LWTAS	MWG CAB. TOP LINE WHITE BODY - LIGHT BLUE COVER 8X24*	45	210	(**)	175,19
C0824LWTWS	MWG CAB. TOP LINE WHITE BODY - WHITE COVER 8X24*	45	210	(**)	175,19
C0824LWTDS	MWG CAB. TOP LINE WHITE BODY - BLACK COVER 8X24*	45	210	(**)	175,19
C0924LWTAS	MWG CAB. TOP LINE WHITE BODY - LIGHT BLUE COVER 9X24*	45	210	(**)	176,25
C0924LWTWS	MWG CAB. TOP LINE WHITE BODY - WHITE COVER 9X24*	45	210	(**)	176,25
C0924LWTDS	MWG CAB. TOP LINE WHITE BODY - BLACK COVER 9X24*	45	210	(**)	176,25
C1024LWTAS	MWG CAB. TOP LINE WHITE BODY - LIGHT BLUE COVER 10X24*	45	210		179,12
C1024LWTWS	MWG CAB. TOP LINE WHITE BODY - WHITE COVER 10X24*	45	210	(**)	179,12
C1024LWTDS	MWG CAB. TOP LINE WHITE BODY - BLACK COVER 10X24*	45	210	(**)	179,12

Ref	Width (mm)	Length (mm)	Height (mm)
C0724LWTAS	320	500	840
C0724LWTWS	320	500	840
C0724LWTDS	320	500	840
C0824LWTAS	320	500	840
C0824LWTWS	320	500	840
C0824LWTDS	320	500	840
C0924LWTAS	320	500	840
C0924LWTWS	320	500	840
C0924LWTDS	320	500	840
C1024LWTAS	320	500	840
C1024LWTWS	320	500	840
C1024LWTDS	320	500	840

Box: WxLxH	Box: Q.ty	Box: Weight	Pallet: WxLxH	Pallet: Q.ty	Pallet: Weight

Accessories

Ref	Description	Fam.	Subfam.	Note	Price Euro
PA074	MWG BRINE WELL D=100 MM H=520 MM (CAB. 24" + BRINETANK 100L)	45	215		13,20
PA001	MWG CAP FOR BRINE WELL D=100 MM	45	215		0,58

Certificates	Manufacturer	Sectors
	MWG	Domestic



Cabinets for Softeners Top Line Series



Ref	Description	Fam.	Subfam.	Note	Price Euro
C0735LWTAS	MWG CAB. TOP LINE WHITE BODY - LIGHT BLUE COVER 7X35*	45	210		196,60
C0735LWTWS	MWG CAB. TOP LINE WHITE BODY - WHITE COVER 7X35*	45	210	(**)	196,60
C0735LWTDS	MWG CAB. TOP LINE WHITE BODY - BLACK COVER 7X35*	45	210	(**)	196,60
C0835LWTAS	MWG CAB. TOP LINE WHITE BODY - LIGHT BLUE COVER 8X35*	45	210	(**)	201,26
C0835LWTWS	MWG CAB. TOP LINE WHITE BODY - WHITE COVER 8X35*	45	210		201,26
C0835LWTDS	MWG CAB. TOP LINE WHITE BODY - BLACK COVER 8X35*	45	210	(**)	201,26
C0935LWTAS	MWG CAB. TOP LINE WHITE BODY - LIGHT BLUE COVER 9X35*	45	210	(**)	205,77
C0935LWTWS	MWG CAB. TOP LINE WHITE BODY - WHITE COVER 9X35*	45	210	(**)	205,77
C0935LWTDS	MWG CAB. TOP LINE WHITE BODY - BLACK COVER 9X35*	45	210	(**)	205,77
C1035LWTAS	MWG CAB. TOP LINE WHITE BODY - LIGHT BLUE COVER 10X35*	45	210		215,96
C1035LWTWS	MWG CAB. TOP LINE WHITE BODY - WHITE COVER 10X35*	45	210	(**)	215,96
C1035LWTDS	MWG CAB. TOP LINE WHITE BODY - BLACK COVER 10X35*	45	210	(**)	215,96

Ref	Width (mm)	Length (mm)	Height (mm)
C0735LWTAS	320	500	1140
C0735LWTWS	320	500	1140
C0735LWTDS	320	500	1140
C0835LWTAS	320	500	1140
C0835LWTWS	320	500	1140
C0835LWTDS	320	500	1140
C0935LWTAS	320	500	1140
C0935LWTWS	320	500	1140
C0935LWTDS	320	500	1140
C1035LWTAS	320	500	1140
C1035LWTWS	320	500	1140
C1035LWTDS	320	500	1140

Box: WxLxH	Box: Q.ty	Box: Weight	Pallet: WxLxH	Pallet: Q.ty	Pallet: Weight

Accessories

Ref	Description	Fam.	Subfam.	Note	Price Euro
PA076	MWG BRINE WELL D=100 MM H=780 MM (CAB. 35" SURF/LINE)	45	215		16,79
PA001	MWG CAP FOR BRINE WELL D=100 MM	45	215		0,58

Certificates	Manufacturer	Sectors
	MWG	Domestic



Cabinets for Softeners Top Surf Series



- Tanks and covers made in European Union (Italy);
- Cabinets for residential softeners, complete with salt lid and cover of exclusive design;
- With MWG tank;
- Materials: tank in HDPE, cover in polystyrene;
- Standard colours: white tank and blue, white or black cover;
- On demand and for quantities we can realize customized colours;
- EU design patent no. 003156272.

(**) minimum order quantity = 250 pcs.

Ref	Description	Fam.	Subfam.	Note	Price Euro
C0717SWTAS	MWG CAB. TOP SURF WHITE BODY - LIGHT BLUE COVER 7X17*	45	210	(**)	139,46
C0717SWTWS	MWG CAB. TOP SURF WHITE BODY - WHITE COVER 7X17*	45	210	(**)	139,46
C0717SWTDS	MWG CAB. TOP SURF WHITE BODY - BLACK COVER 7X17*	45	210	(**)	139,46
C0817SWTAS	MWG CAB. TOP SURF WHITE BODY - LIGHT BLUE COVER 8X17*	45	210	(**)	142,80
C0817SWTWS	MWG CAB. TOP SURF WHITE BODY - WHITE COVER 8X17*	45	210	(**)	142,80
C0817SWTDS	MWG CAB. TOP SURF WHITE BODY - BLACK COVER 8X17*	45	210	(**)	142,80
C0917SWTAS	MWG CAB. TOP SURF WHITE BODY - LIGHT BLUE COVER 9X17*	45	210	(**)	143,87
C0917SWTWS	MWG CAB. TOP SURF WHITE BODY - WHITE COVER 9X17*	45	210	(**)	143,87
C0917SWTDS	MWG CAB. TOP SURF WHITE BODY - BLACK COVER 9X17*	45	210	(**)	143,87
C1017SWTAS	MWG CAB. TOP SURF WHITE BODY - LIGHT BLUE COVER 10X17*	45	210		148,60
C1017SWTWS	MWG CAB. TOP SURF WHITE BODY - WHITE COVER 10X17*	45	210	(**)	148,60
C1017SWTDS	MWG CAB. TOP SURF WHITE BODY - BLACK COVER 10X17*	45	210	(**)	148,60

Ref	Width (mm)	Length (mm)	Height (mm)
C0717SWTAS	320	500	670
C0717SWTWS	320	500	670
C0717SWTDS	320	500	670
C0817SWTAS	320	500	670
C0817SWTWS	320	500	670
C0817SWTDS	320	500	670
C0917SWTAS	320	500	670
C0917SWTWS	320	500	670
C0917SWTDS	320	500	670
C1017SWTAS	320	500	670
C1017SWTWS	320	500	670
C1017SWTDS	320	500	670

Box: WxLxH	Box: Q.ty	Box: Weight	Pallet: WxLxH	Pallet: Q.ty	Pallet: Weight

Accessories

Ref	Description	Fam.	Subfam.	Note	Price Euro
PA002	MWG BRINE WELL D=100 MM H=340 MM (CAB. 17")	45	215		11,76
PA001	MWG CAP FOR BRINE WELL D=100 MM	45	215		0,58

Certificates	Manufacturer	Sectors
	MWG	Domestic



Cabinets for Softeners Top Surf Series



Ref	Description	Fam.	Subfam.	Note	Price Euro
C0724SWTAS	MWG CAB. TOP SURF WHITE BODY - LIGHT BLUE COVER 7X24*	45	210	(**)	173,28
C0724SWTWS	MWG CAB. TOP SURF WHITE BODY - WHITE COVER 7X24*	45	210	(**)	173,28
C0724SWTDS	MWG CAB. TOP SURF WHITE BODY - BLACK COVER 7X24*	45	210	(**)	173,28
C0824SWTAS	MWG CAB. TOP SURF WHITE BODY - LIGHT BLUE COVER 8X24*	45	210	(**)	175,19
C0824SWTWS	MWG CAB. TOP SURF WHITE BODY - WHITE COVER 8X24*	45	210	(**)	175,19
C0824SWTDS	MWG CAB. TOP SURF WHITE BODY - BLACK COVER 8X24*	45	210	(**)	175,19
C0924SWTAS	MWG CAB. TOP SURF WHITE BODY - LIGHT BLUE COVER 9X24*	45	210		176,25
C0924SWTWS	MWG CAB. TOP SURF WHITE BODY - WHITE COVER 9X24*	45	210	(**)	176,25
C0924SWTDS	MWG CAB. TOP SURF WHITE BODY - BLACK COVER 9X24*	45	210	(**)	176,25
C1024SWTAS	MWG CAB. TOP SURF WHITE BODY - LIGHT BLUE COVER 10X24*	45	210		179,12
C1024SWTWS	MWG CAB. TOP SURF WHITE BODY - WHITE COVER 10X24*	45	210	(**)	179,12
C1024SWTDS	MWG CAB. TOP SURF WHITE BODY - BLACK COVER 10X24*	45	210	(**)	179,12

Ref	Width (mm)	Length (mm)	Height (mm)
C0724SWTAS	320	500	840
C0724SWTWS	320	500	840
C0724SWTDS	320	500	840
C0824SWTAS	320	500	840
C0824SWTWS	320	500	840
C0824SWTDS	320	500	840
C0924SWTAS	320	500	840
C0924SWTWS	320	500	840
C0924SWTDS	320	500	840
C1024SWTAS	320	500	840
C1024SWTWS	320	500	840
C1024SWTDS	320	500	840

Box: WxLxH	Box: Q.ty	Box: Weight	Pallet: WxLxH	Pallet: Q.ty	Pallet: Weight

Accessories

Ref	Description	Fam.	Subfam.	Note	Price Euro
PA074	MWG BRINE WELL D=100 MM H=520 MM (CAB. 24" + BRINETANK 100L)	45	215		13,20
PA001	MWG CAP FOR BRINE WELL D=100 MM	45	215		0,58

Certificates	Manufacturer	Sectors
	MWG	Domestic



Cabinets for Softeners Top Surf Series



Ref	Description	Fam.	Subfam.	Note	Price Euro
C0735SWTAS	MWG CAB. TOP SURF WHITE BODY - LIGHT BLUE COVER 7X35*	45	210	(**)	196,60
C0735SWTWS	MWG CAB. TOP SURF WHITE BODY - WHITE COVER 7X35*	45	210	(**)	196,60
C0735SWTDS	MWG CAB. TOP SURF WHITE BODY - BLACK COVER 7X35*	45	210	(**)	196,60
C0835SWTAS	MWG CAB. TOP SURF WHITE BODY - LIGHT BLUE COVER 8X35*	45	210	(**)	201,26
C0835SWTWS	MWG CAB. TOP SURF WHITE BODY - WHITE COVER 8X35*	45	210	(**)	201,26
C0835SWTDS	MWG CAB. TOP SURF WHITE BODY - BLACK COVER 8X35*	45	210	(**)	201,26
C0935SWTAS	MWG CAB. TOP SURF WHITE BODY - LIGHT BLUE COVER 9X35*	45	210	(**)	205,77
C0935SWTWS	MWG CAB. TOP SURF WHITE BODY - WHITE COVER 9X35*	45	210	(**)	205,77
C0935SWTDS	MWG CAB. TOP SURF WHITE BODY - BLACK COVER 9X35*	45	210	(**)	205,77
C1035SWTAS	MWG CAB. TOP SURF WHITE BODY - LIGHT BLUE COVER 10X35*	45	210		215,96
C1035SWTWS	MWG CAB. TOP SURF WHITE BODY - WHITE COVER 10X35*	45	210	(**)	215,96
C1035SWTDS	MWG CAB. TOP SURF WHITE BODY - BLACK COVER 10X35*	45	210	(**)	215,96

Ref	Width (mm)	Length (mm)	Height (mm)
C0735SWTAS	320	500	1140
C0735SWTWS	320	500	1140
C0735SWTDS	320	500	1140
C0835SWTAS	320	500	1140
C0835SWTWS	320	500	1140
C0835SWTDS	320	500	1140
C0935SWTAS	320	500	1140
C0935SWTWS	320	500	1140
C0935SWTDS	320	500	1140
C1035SWTAS	320	500	1140
C1035SWTWS	320	500	1140
C1035SWTDS	320	500	1140

Box: WxLxH	Box: Q.ty	Box: Weight	Pallet: WxLxH	Pallet: Q.ty	Pallet: Weight

Accessories

Ref	Description	Fam.	Subfam.	Note	Price Euro
PA076	MWG BRINE WELL D=100 MM H=780 MM (CAB. 35" SURF/LINE)	45	215		16,79
PA001	MWG CAP FOR BRINE WELL D=100 MM	45	215		0,58

Certificates	Manufacturer	Sectors
	MWG	Domestic



Cabinets for Softeners Top Line Clear Series



- Tanks and covers made in European Union (Italy);
- Cabinets for residential softeners, complete with salt lid and cover of exclusive design with transparent insert;
- With MWG tank;
- Materials: tank in HDPE, cover in polystyrene;
- Standard colours: white tank and blue, white or black cover;
- On demand and for quantities we can realize customized colours;
- EU design patent no. 003156272.

(**) minimum order quantity = 250 pcs.

Ref	Description	Fam.	Subfam.	Note	Price Euro
C0717LWTPS	MWG CAB. TOP LINE CLEAR WHITE BODY - LIGHT BLUE COVER 7X17*	45	210	(**)	139,46
C0717LWTZS	MWG CAB. TOP LINE CLEAR WHITE BODY - WHITE COVER 7X17*	45	210		139,46
C0717LWTTS	MWG CAB. TOP LINE CLEAR WHITE BODY - BLACK COVER 7X17*	45	210	(**)	139,46
C0817LWTPS	MWG CAB. TOP LINE CLEAR WHITE BODY - LIGHT BLUE COVER 8X17*	45	210		142,80
C0817LWTZS	MWG CAB. TOP LINE CLEAR WHITE BODY - WHITE COVER 8X17*	45	210	(**)	142,80
C0817LWTTS	MWG CAB. TOP LINE CLEAR WHITE BODY - BLACK COVER 8X17*	45	210	(**)	142,80
C0917LWTPS	MWG CAB. TOP LINE CLEAR WHITE BODY - LIGHT BLUE COVER 9X17*	45	210	(**)	143,86
C0917LWTZS	MWG CAB. TOP LINE CLEAR WHITE BODY - WHITE COVER 9X17*	45	210	(**)	143,86
C0917LWTTS	MWG CAB. TOP LINE CLEAR WHITE BODY - BLACK COVER 9X17*	45	210	(**)	143,86
C1017LWTPS	MWG CAB. TOP LINE CLEAR WHITE BODY - LIGHT BLUE COVER 10X17*	45	210		148,60
C1017LWTZS	MWG CAB. TOP LINE CLEAR WHITE BODY - WHITE COVER 10X17*	45	210	(**)	148,60
C1017LWTTS	MWG CAB. TOP LINE CLEAR WHITE BODY - BLACK COVER 10X17*	45	210	(**)	148,60

Ref	Width (mm)	Length (mm)	Height (mm)
C0717LWTPS	320	500	670
C0717LWTZS	320	500	670
C0717LWTTS	320	500	670
C0817LWTPS	320	500	670
C0817LWTZS	320	500	670
C0817LWTTS	320	500	670
C0917LWTPS	320	500	670
C0917LWTZS	320	500	670
C0917LWTTS	320	500	670
C1017LWTPS	320	500	670
C1017LWTZS	320	500	670
C1017LWTTS	320	500	670

Box: WxLxH	Box: Q.ty	Box: Weight	Pallet: WxLxH	Pallet: Q.ty	Pallet: Weight

Accessories

Ref	Description	Fam.	Subfam.	Note	Price Euro
PA002	MWG BRINE WELL D=100 MM H=340 MM (CAB. 17")	45	215		11,76
PA001	MWG CAP FOR BRINE WELL D=100 MM	45	215		0,58

Certificates	Manufacturer	Sectors
	MWG	Domestic



Cabinets for Softeners Top Line Clear Series



Ref	Description	Fam.	Subfam.	Note	Price Euro
C0724LWTPS	MWG CAB. TOP LINE CLEAR WHITE BODY - LIGHT BLUE COVER 7X24*	45	210	(**)	173,28
C0724LWTZS	MWG CAB. TOP LINE CLEAR WHITE BODY - WHITE COVER 7X24*	45	210	(**)	173,28
C0724LWTTS	MWG CAB. TOP LINE CLEAR WHITE BODY - BLACK COVER 7X24*	45	210	(**)	173,28
C0824LWTPS	MWG CAB. TOP LINE CLEAR WHITE BODY - LIGHT BLUE COVER 8X24*	45	210	(**)	175,17
C0824LWTZS	MWG CAB. TOP LINE CLEAR WHITE BODY - WHITE COVER 8X24*	45	210	(**)	175,17
C0824LWTTS	MWG CAB. TOP LINE CLEAR WHITE BODY - BLACK COVER 8X24*	45	210		175,17
C0924LWTPS	MWG CAB. TOP LINE CLEAR WHITE BODY - LIGHT BLUE COVER 9X24*	45	210		176,25
C0924LWTZS	MWG CAB. TOP LINE CLEAR WHITE BODY - WHITE COVER 9X24*	45	210	(**)	176,25
C0924LWTTS	MWG CAB. TOP LINE CLEAR WHITE BODY - BLACK COVER 9X24*	45	210	(**)	176,25
C1024LWTPS	MWG CAB. TOP LINE CLEAR WHITE BODY - LIGHT BLUE COVER 10X24*	45	210		179,12
C1024LWTZS	MWG CAB. TOP LINE CLEAR WHITE BODY - WHITE COVER 10X24*	45	210	(**)	179,12
C1024LWTTS	MWG CAB. TOP LINE CLEAR WHITE BODY - BLACK COVER 10X24*	45	210		179,12

Ref	Width (mm)	Length (mm)	Height (mm)
C0724LWTPS	320	500	840
C0724LWTZS	320	500	840
C0724LWTTS	320	500	840
C0824LWTPS	320	500	840
C0824LWTZS	320	500	840
C0824LWTTS	320	500	840
C0924LWTPS	320	500	840
C0924LWTZS	320	500	840
C0924LWTTS	320	500	840
C1024LWTPS	320	500	840
C1024LWTZS	320	500	840
C1024LWTTS	320	500	840

Box: WxLxH	Box: Q.ty	Box: Weight	Pallet: WxLxH	Pallet: Q.ty	Pallet: Weight

Accessories

Ref	Description	Fam.	Subfam.	Note	Price Euro
PA074	MWG BRINE WELL D=100 MM H=520 MM (CAB. 24" + BRINETANK 100L)	45	215		13,20
PA001	MWG CAP FOR BRINE WELL D=100 MM	45	215		0,58

Certificates	Manufacturer	Sectors
	MWG	Domestic



Cabinets for Softeners Top Line Clear Series



Ref	Description	Fam.	Subfam.	Note	Price Euro
C0735LWTPS	MWG CAB. TOP LINE CLEAR WHITE BODY - LIGHT BLUE COVER 7X35*	45	210	(**)	196,60
C0735LWTZS	MWG CAB. TOP LINE CLEAR WHITE BODY - WHITE COVER 7X35*	45	210	(**)	196,60
C0735LWTTS	MWG CAB. TOP LINE CLEAR WHITE BODY - BLACK COVER 7X35*	45	210		196,60
C0835LWTPS	MWG CAB. TOP LINE CLEAR WHITE BODY - LIGHT BLUE COVER 8X35*	45	210		201,26
C0835LWTZS	MWG CAB. TOP LINE CLEAR WHITE BODY - WHITE COVER 8X35*	45	210	(**)	201,26
C0835LWTTS	MWG CAB. TOP LINE WHITE BODY - BLACK COVER 8X35*	45	210		201,26
C0935LWTPS	MWG CAB. TOP LINE CLEAR WHITE BODY - LIGHT BLUE COVER 9X35*	45	210	(**)	205,79
C0935LWTZS	MWG CAB. TOP LINE CLEAR WHITE BODY - WHITE COVER 9X35*	45	210	(**)	205,79
C0935LWTTS	MWG CAB. TOP LINE CLEAR WHITE BODY - BLACK COVER 9X35*	45	210	(**)	205,79
C1035LWTPS	MWG CAB. TOP LINE CLEAR WHITE BODY - LIGHT BLUE COVER 10X35*	45	210		215,96
C1035LWTZS	MWG CAB. TOP LINE CLEAR WHITE BODY - WHITE COVER 10X35*	45	210	(**)	215,96
C1035LWTTS	MWG CAB. TOP LINE CLEAR WHITE BODY - BLACK COVER 10X35*	45	210		215,96

Ref	Width (mm)	Length (mm)	Height (mm)
C0735LWTPS	320	500	1140
C0735LWTZS	320	500	1140
C0735LWTTS	320	500	1140
C0835LWTPS	320	500	1140
C0835LWTZS	320	500	1140
C0835LWTTS	320	500	1140
C0935LWTPS	320	500	1140
C0935LWTZS	320	500	1140
C0935LWTTS	320	500	1140
C1035LWTPS	320	500	1140
C1035LWTZS	320	500	1140
C1035LWTTS	320	500	1140

Box: WxLxH	Box: Q.ty	Box: Weight	Pallet: WxLxH	Pallet: Q.ty	Pallet: Weight

Accessories

Ref	Description	Fam.	Subfam.	Note	Price Euro
PA076	MWG BRINE WELL D=100 MM H=780 MM (CAB. 35" SURF/LINE)	45	215		16,79
PA001	MWG CAP FOR BRINE WELL D=100 MM	45	215		0,58

Certificates	Manufacturer	Sectors
	MWG	Domestic



Cabinets for Softeners Top Surf Clear Series



- Tanks and covers made in European Union (Italy);
- Cabinets for residential softeners, complete with salt lid and cover of exclusive design with transparent insert;
- With MWG tank;
- Materials: tank in HDPE, cover in polystyrene;
- Standard colours: white tank and blue, white or black cover;
- On demand and for quantities we can realize customized colours;
- EU design patent no. 003156272.

(**) minimum order quantity = 250 pcs.

Ref	Description	Fam.	Subfam.	Note	Price Euro
C0717SWTPS	MWG CAB. TOP SURF CLEAR WHITE BODY - LIGHT BLUE COVER 7X17*	45	210	(**)	139,46
C0717SWTZS	MWG CAB. TOP SURF CLEAR WHITE BODY - WHITE COVER 7X17*	45	210	(**)	139,46
C0717SWTTS	MWG CAB. TOP SURF CLEAR WHITE BODY - BLACK COVER 7X17*	45	210	(**)	139,46
C0817SWTPS	MWG CAB. TOP SURF CLEAR WHITE BODY - LIGHT BLUE COVER 8X17*	45	210	(**)	142,80
C0817SWTZS	MWG CAB. TOP SURF CLEAR WHITE BODY - WHITE COVER 8X17*	45	210	(**)	142,80
C0817SWTTS	MWG CAB. TOP SURF CLEAR WHITE BODY - BLACK COVER 8X17*	45	210	(**)	142,80
C0917SWTPS	MWG CAB. TOP SURF CLEAR WHITE BODY - LIGHT BLUE COVER 9X17*	45	210	(**)	143,86
C0917SWTZS	MWG CAB. TOP SURF CLEAR WHITE BODY - WHITE COVER 9X17*	45	210	(**)	143,86
C0917SWTTS	MWG CAB. TOP SURF CLEAR WHITE BODY - BLACK COVER 9X17*	45	210	(**)	143,86
C1017SWTPS	MWG CAB. TOP SURF CLEAR WHITE BODY - LIGHT BLUE COVER 10X17*	45	210		148,60
C1017SWTZS	MWG CAB. TOP SURF CLEAR WHITE BODY - WHITE COVER 10X17*	45	210	(**)	148,60
C1017SWTTS	MWG CAB. TOP SURF CLEAR WHITE BODY - BLACK COVER 10X17*	45	210	(**)	148,60

Ref	Width (mm)	Length(mm)	Height (mm)
C0717SWTPS	320	500	670
C0717SWTZS	320	500	670
C0717SWTTS	320	500	670
C0817SWTPS	320	500	670
C0817SWTZS	320	500	670
C0817SWTTS	320	500	670
C0917SWTPS	320	500	670
C0917SWTZS	320	500	670
C0917SWTTS	320	500	670
C1017SWTPS	320	500	670
C1017SWTZS	320	500	670
C1017SWTTS	320	500	670

Box: WxLxH	Box: Q.ty	Box: Weight	Pallet: WxLxH	Pallet: Q.ty	Pallet: Weight

Accessories

Ref	Description	Fam.	Subfam.	Note	Price Euro
PA002	MWG BRINE WELL D=100 MM H=340 MM (CAB. 17")	45	215		11,76
PA001	MWG CAP FOR BRINE WELL D=100 MM	45	215		0,58

Certificates	Manufacturer	Sectors
	MWG	Domestic



Cabinets for Softeners Top Surf Clear Series



Ref	Description	Fam.	Subfam.	Note	Price Euro
C0724SWTPS	MWG CAB. TOP SURF CLEAR WHITE BODY - LIGHT BLUE COVER 7X24*	45	210	(**)	173,28
C0724SWTZS	MWG CAB. TOP SURF CLEAR WHITE BODY - WHITE COVER 7X24*	45	210	(**)	173,28
C0724SWTTS	MWG CAB. TOP SURF CLEAR WHITE BODY - BLACK COVER 7X24*	45	210	(**)	173,28
C0824SWTPS	MWG CAB. TOP SURF CLEAR WHITE BODY - LIGHT BLUE COVER 8X24*	45	210		175,17
C0824SWTZS	MWG CAB. TOP SURF CLEAR WHITE BODY - WHITE COVER 8X24*	45	210	(**)	175,17
C0824SWTTS	MWG CAB. TOP SURF CLEAR WHITE BODY - BLACK COVER 8X24*	45	210	(**)	175,17
C0924SWTPS	MWG CAB. TOP SURF CLEAR WHITE BODY - LIGHT BLUE COVER 9X24*	45	210	(**)	176,25
C0924SWTZS	MWG CAB. TOP SURF CLEAR WHITE BODY - WHITE COVER 9X24*	45	210	(**)	176,25
C0924SWTTS	MWG CAB. TOP SURF CLEAR WHITE BODY - BLACK COVER 9X24*	45	210	(**)	176,25
C1024SWTPS	MWG CAB. TOP SURF CLEAR WHITE BODY - LIGHT BLUE COVER 10X24*	45	210		179,12
C1024SWTZS	MWG CAB. TOP SURF CLEAR WHITE BODY - WHITE COVER 10X24*	45	210	(**)	179,12
C1024SWTTS	MWG CAB. TOP SURF CLEAR WHITE BODY - BLACK COVER 10X24*	45	210		179,12

Ref	Width (mm)	Length (mm)	Height (mm)
C0724SWTPS	320	500	840
C0724SWTZS	320	500	840
C0724SWTTS	320	500	840
C0824SWTPS	320	500	840
C0824SWTZS	320	500	840
C0824SWTTS	320	500	840
C0924SWTPS	320	500	840
C0924SWTZS	320	500	840
C0924SWTTS	320	500	840
C1024SWTPS	320	500	840
C1024SWTZS	320	500	840
C1024SWTTS	320	500	840

Box: WxLxH	Box: Q.ty	Box: Weight	Pallet: WxLxH	Pallet: Q.ty	Pallet: Weight

Accessories

Ref	Description	Fam.	Subfam.	Note	Price Euro
PA074	MWG BRINE WELL D=100 MM H=520 MM (CAB. 24" + BRINETANK 100L)	45	215		13,20
PA001	MWG CAP FOR BRINE WELL D=100 MM	45	215		0,58

Certificates	Manufacturer	Sectors
	MWG	Domestic



Cabinets for Softeners Top Surf Clear Series



Ref	Description	Fam.	Subfam.	Note	Price Euro
C0735SWTPS	MWG CAB. TOP SURF CLEAR WHITE BODY - LIGHT BLUE COVER 7X35*	45	210		196,60
C0735SWTZS	MWG CAB. TOP SURF CLEAR WHITE BODY - WHITE COVER 7X35*	45	210	(**)	196,60
C0735SWTTS	MWG CAB. TOP SURF CLEAR WHITE BODY - BLACK COVER 7X35*	45	210	(**)	196,60
C0835SWTPS	MWG CAB. TOP SURF CLEAR WHITE BODY - LIGHT BLUE COVER 8X35*	45	210		201,26
C0835SWTZS	MWG CAB. TOP SURF CLEAR WHITE BODY - WHITE COVER 8X35*	45	210	(**)	201,26
C0835SWTTS	MWG CAB. TOP SURF CLEAR WHITE BODY - BLACK COVER 8X35*	45	210	(**)	201,26
C0935SWTPS	MWG CAB. TOP SURF CLEAR WHITE BODY - LIGHT BLUE COVER 9X35*	45	210		205,79
C0935SWTZS	MWG CAB. TOP SURF CLEAR WHITE BODY - WHITE COVER 9X35*	45	210	(**)	205,79
C0935SWTTS	MWG CAB. TOP SURF CLEAR WHITE BODY - BLACK COVER 9X35*	45	210	(**)	205,79
C1035SWTPS	MWG CAB. TOP SURF CLEAR WHITE BODY - LIGHT BLUE COVER 10X35*	45	210		215,96
C1035SWTZS	MWG CAB. TOP SURF CLEAR WHITE BODY - WHITE COVER 10X35*	45	210	(**)	215,96
C1035SWTTS	MWG CAB. TOP SURF CLEAR WHITE BODY - BLACK COVER 10X35*	45	210	(**)	215,96

Ref	Width (mm)	Length (mm)	Height (mm)
C0735SWTPS	320	500	1140
C0735SWTZS	320	500	1140
C0735SWTTS	320	500	1140
C0835SWTPS	320	500	1140
C0835SWTZS	320	500	1140
C0835SWTTS	320	500	1140
C0935SWTPS	320	500	1140
C0935SWTZS	320	500	1140
C0935SWTTS	320	500	1140
C1035SWTPS	320	500	1140
C1035SWTWS	320	500	1140
C1035SWTTS	320	500	1140

Box: WxLxH	Box: Q.ty	Box: Weight	Pallet: WxLxH	Pallet: Q.ty	Pallet: Weight

Accessories

Ref	Description	Fam.	Subfam.	Note	Price Euro
PA076	MWG BRINE WELL D=100 MM H=780 MM (CAB. 35" SURF/LINE)	45	215		16,79
PA001	MWG CAP FOR BRINE WELL D=100 MM	45	215		0,58

Certificates	Manufacturer	Sectors
	MWG	Domestic



Cabinets for Softeners New Crystal

- Tanks and covers made in European Union (Italy);
- Cabinets for residential softeners, complete with salt lid and cover of exclusive design with clear insert;
- With MWG tank;
- Materials: tank and salt lid in HDPE; cover in polystyrene;
- Standard colours: white tank and blue, white or black cover;
- On demand and for quantities we can realize customized colours;
- EU design patent no. 003156272.

(**) minimum order quantity = 250 pcs.



Ref	Description	Fam.	Subfam.	Note	Price Euro
C0717NWCAS	MWG CAB. NEWMINI CRYSTAL WHITE BODY - LIGHT BLUE COVER 7X17*	45	210		130,68
C0717NWCWS	MWG CAB. NEWMINI CRYSTAL WHITE BODY - WHITE COVER7X17*	45	210	(**)	130,68
C0717NWCDS	MWG CAB. NEWMINI CRYSTAL WHITE BODY - BLACK COVER7X17*	45	210	(**)	130,68
C0817NWCAS	MWG CAB. NEWMINI CRYSTAL WHITE BODY - LIGHT BLUE COVER 8X17*	45	210		134,01
C0817NWCWS	MWG CAB. NEWMINI CRYSTAL WHITE BODY - WHITE COVER8X17*	45	210		134,01
C0817NWCDS	MWG CAB. NEWMINI CRYSTAL WHITE BODY - BLACK COVER8X17*	45	210	(**)	134,01
C0917NWCAS	MWG CAB. NEWMINI CRYSTAL WHITE BODY - LIGHT BLUE COVER 9X17*	45	210		135,09
C0917NWCWS	MWG CAB. NEWMINI CRYSTAL WHITE BODY - WHITE COVER9X17*	45	210		135,09
C0917NWCDS	MWG CAB. NEWMINI CRYSTAL WHITE BODY - BLACK COVER9X17*	45	210		135,09
C1017NWCAS	MWG CAB. NEWMINI CRYSTAL WHITE BODY - LIGHT BLUE COVER 10X17*	45	210		139,81
C1017NWCWS	MWG CAB. NEWMINI CRYSTAL WHITE BODY - WHITE COVER10X17*	45	210		139,81
C1017NWCDS	MWG CAB. NEWMINI CRYSTAL WHITE BODY - BLACK COVER10X17*	45	210		139,81

Ref	Width (mm)	Length (mm)	height (mm)
C0717NWCAS	320	500	670
C0717NWCWS	320	500	670
C0717NWCDS	320	500	670
C0817NWCAS	320	500	670
C0817NWCWS	320	500	670
C0817NWCDS	320	500	670
C0917NWCAS	320	500	670
C0917NWCWS	320	500	670
C0917NWCDS	320	500	670
C1017NWCAS	320	500	670
C1017NWCWS	320	500	670
C1017NWCDS	320	500	670

Box: WxLxH	Box: Q.ty	Box: Weight	Pallet: WxLxH	Pallet: Q.ty	Pallet: Weight

Accessories

Ref	Description	Fam.	Subfam.	Note	Price Euro
PA002	MWG BRINE WELL D=100 MM H=340 MM (CAB. 17")	45	215		11,76
PA001	MWG CAP FOR BRINE WELL D=100 MM	45	215		0,58

Certificates	Manufacturer	Sectors
	MWG	Domestic



Cabinets for Softeners New Crystal



Ref	Description	Fam.	Subfam.	Note	Price Euro
C0730NWCAS	MWG CAB. NEWMIDI CRYSTAL WHITE BODY - LIGHT BLUE COVER 7X30*	45	210		175,08
C0730NWCWS	MWG CAB. NEWMIDI CRYSTAL WHITE BODY - WHITE COVER7X30*	45	210		175,08
C0730NWCDS	MWG CAB. NEWMIDI CRYSTAL WHITE BODY - BLACK COVER7X30*	45	210	(**)	175,08
C0830NWCAS	MWG CAB. NEWMIDI CRYSTAL WHITE BODY - LIGHT BLUE COVER 8X30*	45	210		177,76
C0830NWCWS	MWG CAB. NEWMIDI CRYSTAL WHITE BODY - WHITE COVER8X30*	45	210		177,76
C0830NWCDS	MWG CAB. NEWMIDI CRYSTAL WHITE BODY - BLACK COVER8X30*	45	210	(**)	177,76
C0930NWCAS	MWG CAB. NEWMIDI CRYSTAL WHITE BODY - LIGHT BLUE COVER 9X30*	45	210		178,52
C0930NWCWS	MWG CAB. NEWMIDI CRYSTAL WHITE BODY - WHITE COVER9X30*	45	210		178,52
C0930NWCDS	MWG CAB. NEWMIDI CRYSTAL WHITE BODY - BLACK COVER9X30*	45	210	(**)	178,52
C1030NWCAS	MWG CAB. NEWMIDI CRYSTAL WHITE BODY - LIGHT BLUE COVER 10X30*	45	210		180,15
C1030NWCWS	MWG CAB. NEWMIDI CRYSTAL WHITE BODY - WHITE COVER10X30*	45	210		180,15
C1030NWCDS	MWG CAB. NEWMIDI CRYSTAL WHITE BODY - BLACK COVER10X30*	45	210		180,15

Ref	Width (mm)	Length (mm)	Height (mm)
C0730NWCAS	320	500	1010
C0730NWCWS	320	500	1010
C0730NWCDS	320	500	1010
C0830NWCAS	320	500	1010
C0830NWCWS	320	500	1010
C0830NWCDS	320	500	1010
C0930NWCAS	320	500	1010
C0930NWCWS	320	500	1010
C0930NWCDS	320	500	1010
C1030NWCAS	320	500	1010
C1030NWCWS	320	500	1010
C1030NWCDS	320	500	1010

Box: WxLxH	Box: Q.ty	Box: Weight	Pallet: WxLxH	Pallet: Q.ty	Pallet: Weight

Accessories

Ref	Description	Fam.	Subfam.	Note	Price Euro
PA009	MWG BRINE WELL D=100 MM H=690 MM (CAB. 30" + BRINETANK 140L)	45	230		15,73
PA001	MWG CAP FOR BRINE WELL D=100 MM	45	215		0,58

Certificates	Manufacturer	Sectors
	MWG	Domestic



Cabinets for Softeners New Crystal



Ref	Description	Fam.	Subfam.	Note	Price Euro
C0735NWCAS	MWG CAB. NEWMAXI CRYSTAL WHITE BODY - LIGHT BLUE COVER 7X35*	45	210		187,82
C0735NWCWS	MWG CAB. NEWMAXI CRYSTAL WHITE BODY - WHITE COVER7X35*	45	210		187,82
C0735NWCDS	MWG CAB. NEWMAXI CRYSTAL WHITE BODY - BLACK COVER7X35*	45	210	(**)	187,82
C0835NWCAS	MWG CAB. NEWMAXI CRYSTAL WHITE BODY - LIGHT BLUE COVER 8X35*	45	210		192,49
C0835NWCWS	MWG CAB. NEWMAXI CRYSTAL WHITE BODY - WHITE COVER8X35*	45	210		192,49
C0835NWCDS	MWG CAB. NEWMAXI CRYSTAL WHITE BODY - BLACK COVER8X35*	45	210		192,49
C0935NWCAS	MWG CAB. NEWMAXI CRYSTAL WHITE BODY - LIGHT BLUE COVER 9X35*	45	210		196,99
C0935NWCWS	MWG CAB. NEWMAXI CRYSTAL WHITE BODY - WHITE COVER9X35*	45	210		196,99
C0935NWCDS	MWG CAB. NEWMAXI CRYSTAL WHITE BODY - BLACK COVER9X35*	45	210		196,99
C1035NWCAS	MWG CAB. NEWMAXI CRYSTAL WHITE BODY - LIGHT BLUE COVER 10X35*	45	210		207,14
C1035NWCWS	MWG CAB. NEWMAXI CRYSTAL WHITE BODY - WHITE COVER10X35*	45	210		207,14
C1035NWCDS	MWG CAB. NEWMAXI CRYSTAL WHITE BODY - BLACK COVER10X35*	45	210		207,14

Ref	Width (mm)	Length (mm)	Height (mm)
C0735NWCAS	320	500	1140
C0735NWCWS	320	500	1140
C0735NWCDS	320	500	1140
C0835NWCAS	320	500	1140
C0835NWCWS	320	500	1140
C0835NWCDS	320	500	1140
C0935NWCAS	320	500	1140
C0935NWCWS	320	500	1140
C0935NWCDS	320	500	1140
C1035NWCAS	320	500	1140
C1035NWCWS	320	500	1140
C1035NWCDS	320	500	1140

Box: WxLxH	Box: Q.ty	Box: Weight	Pallet: WxLxH	Pallet: Q.ty	Pallet: Weight

Accessories

Ref	Description	Fam.	Subfam.	Note	Price Euro
PA004	MWG BRINE WELL D=100 MM H=820 MM (CAB. 35"MAXI)	45	215		17,20
PA001	MWG CAP FOR BRINE WELL D=100 MM	45	215		0,58

Certificates	Manufacturer	Sectors
	MWG	Domestic



Cabinets for Softeners New Iceberg

- Tanks and covers made in European Union (Italy);
- Cabinets for residential softeners, complete with salt lid and cover of exclusive design with clear insert;
- With MWG tank;
- Materials: tank and salt lid in HDPE; cover in polystyrene;
- Standard colours: white tank and blue, white or black cover;
- On demand and for quantities we can realize customized colours;
- EU design patent no. 003156272.

Ref	Description	Fam.	Subfam.	Note	Price Euro
C0717NWIQS	MWG CAB. NEWMINI ICEBERG WHITE BODY - LIGHT BLUE/WHITE COVER 7X17*	45	210		130,68
C0817NWIQS	MWG CAB. NEWMINI ICEBERG WHITE BODY - LIGHT BLUE/WHITE COVER 8X17*	45	210		134,01
C0917NWIQS	MWG CAB. NEWMINI ICEBERG WHITE BODY - LIGHT BLUE/WHITE COVER 9X17*	45	210		135,09
C1017NWIQS	MWG CAB. NEWMINI ICEBERG WHITE BODY - LIGHT BLUE/WHITE COVER 10X17*	45	210		139,81

Ref	Width (mm)	Length (mm)	Height (mm)
C0717NWIQS	320	500	670
C0817NWIQS	320	500	670
C0917NWIQS	320	500	670
C1017NWIQS	320	500	670

Box: WxLxH	Box: Q.ty	Box: Weight	Pallet: WxLxH	Pallet: Q.ty	Pallet: Weight

Accessories

Ref	Description	Fam.	Subfam.	Note	Price Euro
PA002	MWG BRINE WELL D=100 MM H=340 MM (CAB. 17")	45	215		11,76
PA001	MWG CAP FOR BRINE WELL D=100 MM	45	215		0,58

Certificates	Manufacturer	Sectors
	MWG	Domestic





Cabinets for Softeners New Iceberg



Ref	Description	Fam.	Subfam.	Note	Price Euro
C0730NWIQS	MWG CAB. NEWMIDI ICEBERG WHITE BODY - LIGHT BLUE/WHITE COVER 7X30*	45	210	(**)	175,08
C0830NWIQS	MWG CAB. NEWMIDI ICEBERG WHITE BODY - LIGHT BLUE/WHITE COVER 8X30*	45	210	(**)	177,76
C0930NWIQS	MWG CAB. NEWMIDI ICEBERG WHITE BODY - LIGHT BLUE/WHITE COVER 9X30*	45	210		178,52
C1030NWIQS	MWG CAB. NEWMIDI ICEBERG WHITE BODY - LIGHT BLUE/WHITE COVER 10X30*	45	210		180,15

Ref	Width (mm)	Length (mm)	Height (mm)
C0730NWIQS	320	500	1010
C0830NWIQS	320	500	1010
C0930NWIQS	320	500	1010
C1030NWIQS	320	500	1010

Box: WxLxH	Box: Q.ty	Box: Weight	Pallet: WxLxH	Pallet: Q.ty	Pallet: Weight

Accessories

Ref	Description	Fam.	Subfam.	Note	Price Euro
PA009	MWG BRINE WELL D=100 MM H=690 MM (CAB. 30" + BRINETANK 140L)	45	230		15,73
PA001	MWG CAP FOR BRINE WELL D=100 MM	45	215		0,58

Certificates	Manufacturer	Sectors
	MWG	Domestic



Cabinets for Softeners New Iceberg



Ref	Description	Fam.	Subfam.	Note	Price Euro
C0735NWIQS	MWG CAB. NEWMAXI ICEBERG WHITE BODY - LIGHT BLUE/WHITE COVER 7X35*	45	210	(**)	187,82
C0835NWIQS	MWG CAB. NEWMAXI ICEBERG WHITE BODY - LIGHT BLUE/WHITE COVER 8X35*	45	210		192,49
C0935NWIQS	MWG CAB. NEWMAXI ICEBERG WHITE BODY - LIGHT BLUE/WHITE COVER 9X35*	45	210		196,99
C1035NWIQS	MWG CAB. NEWMAXI ICEBERG WHITE BODY - LIGHT BLUE/WHITE COVER 10X35*	45	210		207,14

Ref	Width (mm)	Length (mm)	Height (mm)
C0735NWIQS	320	500	1140
C0835NWIQS	320	500	1140
C0935NWIQS	320	500	1140
C1035NWIQS	320	500	1140

Box: WxLxH	Box: Q.ty	Box: Weight	Pallet: WxLxH	Pallet: Q.ty	Pallet: Weight

Accessories

Ref	Description	Fam.	Subfam.	Note	Price Euro
PA004	MWG BRINE WELL D=100 MM H=820 MM (CAB. 35"MAXI)	45	215		17,20
PA001	MWG CAP FOR BRINE WELL D=100 MM	45	215		0,58

Certificates	Manufacturer	Sectors
	MWG	Domestic



Cabinet for Softeners Ocean Series

- Tanks and covers made in European Union (Italy);
- Cabinets for residential softeners, complete with salt lid and cover of exclusive design with clear insert;
- With MWG tank;
- Materials: tank and salt lid in HDPE; cover in polystyrene;
- Standard colours: white tank and blue, white or black cover;
- On demand and for quantities we can realize customized colours;
- EU design patent no. 003156272.

(**) minimum order quantity = 250 pcs.



Ref	Description	Fam.	Subfam.	Note	Price Euro
C0717NWOAS	MWG CAB. NEWMINI OCEAN WHITE BODY - LIGHT BLUE COVER 7X17*	45	210		139,46
C0717NWOWS	MWG CAB. NEWMINI OCEAN WHITE BODY - WHITE COVER 7X17*	45	210	(**)	139,46
C0717NWODS	MWG CAB. NEWMINI OCEAN WHITE BODY - BLACK COVER 7X17*	45	210	(**)	139,46
C0817NWOAS	MWG CAB. NEWMINI OCEAN WHITE BODY - LIGHT BLUE COVER 8X17*	45	210		142,80
C0817NWOWS	MWG CAB. NEWMINI OCEAN WHITE BODY - WHITE COVER 8X17*	45	210		142,80
C0817NWODS	MWG CAB. NEWMINI OCEAN WHITE BODY - BLACK COVER 8X17*	45	210	(**)	142,80
C0917NWOAS	MWG CAB. NEWMINI OCEAN WHITE BODY - LIGHT BLUE COVER 9X17*	45	210		143,87
C0917NWOWS	MWG CAB. NEWMINI OCEAN WHITE BODY - WHITE COVER 9X17*	45	210		143,87
C0917NWODS	MWG CAB. NEWMINI OCEAN WHITE BODY - BLACK COVER 9X17*	45	210		143,87
C1017NWOAS	MWG CAB. NEWMINI OCEAN WHITE BODY - LIGHT BLUE COVER 10X17*	45	210		148,60
C1017NWOWS	MWG CAB. NEWMINI OCEAN WHITE BODY - WHITE COVER 10X17*	45	210		148,60
C1017NWODS	MWG CAB. NEWMINI OCEAN WHITE BODY - BLACK COVER 10X17*	45	210		148,60

Ref	Width (mm)	Length (mm)	Height (mm)
C0717NWOAS	320	500	670
C0717NWOWS	320	500	670
C0717NWODS	320	500	670
C0817NWOAS	320	500	670
C0817NWOWS	320	500	670
C0817NWODS	320	500	670
C0917NWOAS	320	500	670
C0917NWOWS	320	500	670
C0917NWODS	320	500	670
C1017NWOAS	320	500	670
C1017NWOWS	320	500	670
C1017NWODS	320	500	670

Box: WxLxH	Box: Q.ty	Box: Weight	Pallet: WxLxH	Pallet: Q.ty	Pallet: Weight

Accessories

Ref	Description	Fam.	Subfam.	Note	Price Euro
PA002	MWG BRINE WELL D=100 MM H=340 MM (CAB. 17")	45	215		11,76
PA001	MWG CAP FOR BRINE WELL D=100 MM	45	215		0,58

Certificates	Manufacturer	Sectors
	MWG	Domestic



Cabinet for Softeners Ocean Series



Ref	Description	Fam.	Subfam.	Note	Price Euro
C0730NWOAS	MWG CAB. NEWMIDI OCEAN WHITE BODY - LIGHT BLUE COVER 7X30*	45	210		183,89
C0730NWOWS	MWG CAB. NEWMIDI OCEAN WHITE BODY - WHITE COVER 7X30*	45	210		183,89
C0730NWODS	MWG CAB. NEWMIDI OCEAN WHITE BODY - BLACK COVER 7X30*	45	210	(**)	183,89
C0830NWOAS	MWG CAB. NEWMIDI OCEAN WHITE BODY - LIGHT BLUE COVER 8X30*	45	210		186,56
C0830NWOWS	MWG CAB. NEWMIDI OCEAN WHITE BODY - WHITE COVER 8X30*	45	210	(**)	186,56
C0830NWODS	MWG CAB. NEWMIDI OCEAN WHITE BODY - BLACK COVER 8X30*	45	210	(**)	186,56
C0930NWOAS	MWG CAB. NEWMIDI OCEAN WHITE BODY - LIGHT BLUE COVER 9X30*	45	210		187,34
C0930NWOWS	MWG CAB. NEWMIDI OCEAN WHITE BODY - WHITE COVER 9X30 *	45	210		187,34
C0930NWODS	MWG CAB. NEWMIDI OCEAN WHITE BODY - BLACK COVER 9X30*	45	210		187,34
C1030NWOAS	MWG CAB. NEWMIDI OCEAN WHITE BODY - LIGHT BLUE COVER 10X30*	45	210		188,95
C1030NWOWS	MWG CAB. NEWMIDI OCEAN WHITE BODY - WHITE COVER 10X30*	45	210		188,95
C1030NWODS	MWG CAB. NEWMIDI OCEAN WHITE BODY - BLACK COVER 10X30*	45	210		188,95

Ref	Width (mm)	Length (mm)	Height (mm)
C0730NWOAS	320	500	1010
C0730NWOWS	320	500	1010
C0730NWODS	320	500	1010
C0830NWOAS	320	500	1010
C0830NWOWS	320	500	1010
C0830NWODS	320	500	1010
C0930NWOAS	320	500	1010
C0930NWOWS	320	500	1010
C0930NWODS	320	500	1010
C1030NWOAS	320	500	1010
C1030NWOWS	320	500	1010
C1030NWODS	320	500	1010

Box: WxLxH	Box: Q.ty	Box: Weight	Pallet: WxLxH	Pallet: Q.ty	Pallet: Weight

Accessories

Ref	Description	Fam.	Subfam.	Note	Price Euro
PA009	MWG BRINE WELL D=100 MM H=690 MM (CAB. 30" + BRINETANK 140L)	45	230		15,73
PA001	MWG CAP FOR BRINE WELL D=100 MM	45	215		0,58

Certificates	Manufacturer	Sectors
	MWG	Domestic



Cabinet for Softeners Ocean Series



Ref	Description	Fam.	Subfam.	Note	Price Euro
C0735NWOAS	MWG CAB. NEWMAXI OCEAN WHITE BODY - LIGHT BLUE COVER 7X35*	45	210		196,60
C0735NWOWS	MWG CAB. NEWMAXI OCEAN WHITE BODY - WHITE COVER 7X35*	45	210		196,60
C0735NWODS	MWG CAB. NEWMAXI OCEAN WHITE BODY - BLACK COVER 7X35*	45	210		196,60
C0835NWOAS	MWG CAB. NEWMAXI OCEAN WHITE BODY - LIGHT BLUE COVER 8X35*	45	210		201,26
C0835NWOWS	MWG CAB. NEWMAXI OCEAN WHITE BODY - WHITE COVER 8X35*	45	210		201,26
C0835NWODS	MWG CAB. NEWMAXI OCEAN WHITE BODY - BLACK COVER 8X35*	45	210		201,26
C0935NWOAS	MWG CAB. NEWMAXI OCEAN WHITE BODY - LIGHT BLUE COVER 9X35*	45	210		205,77
C0935NWOWS	MWG CAB. NEWMAXI OCEAN WHITE BODY - WHITE COVER 9X35*	45	210		205,77
C0935NWODS	MWG CAB. NEWMAXI OCEAN WHITE BODY - BLACK COVER 9X35*	45	210		205,77
C1035NWOAS	MWG CAB. NEWMAXI OCEAN WHITE BODY - LIGHT BLUE COVER 10X35*	45	210		215,96
C1035NWOWS	MWG CAB. NEWMAXI OCEAN WHITE BODY - WHITE COVER 10X35*	45	210		215,96
C1035NWODS	MWG CAB. NEWMAXI OCEAN WHITE BODY - BLACK COVER 10X35*	45	210		215,96

Ref	Width (mm)	Length (mm)	Height (mm)
C0735NWOAS	320	500	1140
C0735NWOWS	320	500	1140
C0735NWODS	320	500	1140
C0835NWOAS	320	500	1140
C0835NWOWS	320	500	1140
C0835NWODS	320	500	1140
C0935NWOAS	320	500	1140
C0935NWOWS	320	500	1140
C0935NWODS	320	500	1140
C1035NWOAS	320	500	1140
C1035NWOWS	320	500	1140
C1035NWODS	320	500	1140

Box: WxLxH	Box: Q.ty	Box: Weight	Pallet: WxLxH	Pallet: Q.ty	Pallet: Weight

Accessories

Ref	Description	Fam.	Subfam.	Note	Price Euro
PA004	MWG BRINE WELL D=100 MM H=820 MM (CAB. 35"MAXI)	45	215		17,20
PA001	MWG CAP FOR BRINE WELL D=100 MM	45	215		0,58

Certificates	Manufacturer	Sectors
	MWG	Domestic



Cabinets for Softeners Logix Series

- Tanks and covers made in European Union (Italy);
- Cabinets for residential softeners, complete with salt lid and cover for integrate installation of LOGIX control AUTOTROL valves;
- With MWG tank;
- Materials: tank and salt lid in HDPE; cover in polystyrene;
- Standard colours: white tank and blue, white or black cover;
- On demand and for quantities we can realize customized colours;
- EU design patent no. 003156272.

(**) minimum order quantity = 250 pcs.



Ref	Description	Fam.	Subfam.	Note	Price Euro
C0717NWLAS	MWG CAB. NEWMINI LOGIX WHITE BODY - LIGHT BLUE COVER 7X17*	45	210		139,46
C0717NWLWS	MWG CAB. NEWMINI LOGIX WHITE BODY - WHITE COVER 7X17*	45	210	(**)	139,46
C0717NWLDS	MWG CAB. NEWMINI LOGIX WHITE BODY - BLACK COVER 7X17*	45	210	(**)	139,46
C0817NWLAS	MWG CAB. NEWMINI LOGIX WHITE BODY - LIGHT BLUE COVER 8X17*	45	210		142,80
C0817NWLWS	MWG CAB. NEWMINI LOGIX WHITE BODY - WHITE COVER 8X17*	45	210		142,80
C0817NWLDS	MWG CAB. NEWMINI LOGIX WHITE BODY - BLACK COVER 8X17*	45	210		142,80
C0917NWLAS	MWG CAB. NEWMINI LOGIX WHITE BODY - LIGHT BLUE COVER 9X17*	45	210	(**)	143,87
C0917NWLWS	MWG CAB. NEWMINI LOGIX WHITE BODY - WHITE COVER 9X17*	45	210	(**)	143,87
C0917NWLDS	MWG CAB. NEWMINI LOGIX WHITE BODY - BLACK COVER 9X17*	45	210	(**)	143,87
C1017NWLAS	MWG CAB. NEWMINI LOGIX WHITE BODY - LIGHT BLUE COVER 10X17*	45	210		148,60
C1017NWLWS	MWG CAB. NEWMINI LOGIX WHITE BODY - WHITE COVER 10X17*	45	210		148,60
C1017NWLDS	MWG CAB. NEWMINI LOGIX WHITE BODY - BLACK COVER 10X17*	45	210	(**)	148,60

Ref	Width (mm)	Length (mm)	Height (mm)
C0717NWLAS	320	500	670
C0717NWLWS	320	500	670
C0717NWLDS	320	500	670
C0817NWLAS	320	500	670
C0817NWLWS	320	500	670
C0817NWLDS	320	500	670
C0917NWLAS	320	500	670
C0917NWLWS	320	500	670
C0917NWLDS	320	500	670
C1017NWLAS	320	500	670
C1017NWLWS	320	500	670
C1017NWLDS	320	500	670

Accessories

Ref	Description	Fam.	Subfam.	Note	Price Euro
PA002	MWG BRINE WELL D=100 MM H=340 MM (CAB. 17")	45	215		11,76
PA001	MWG CAP FOR BRINE WELL D=100 MM	45	215		0,58

Certificates	Manufacturer	Sectors
	MWG	Domestic



Cabinets for Softeners Logix Series



Ref	Description	Fam.	Subfam.	Note	Price Euro
C0730NWLAS	MWG CAB. NEWMIDI LOGIX WHITE BODY - LIGHT BLUE COVER 7X30*	45	210	(**)	183,89
C0730NWLWS	MWG CAB. NEWMIDI LOGIX WHITE BODY - WHITE COVER 7X30*	45	210	(**)	183,89
C0730NWLDS	MWG CAB. NEWMIDI LOGIX WHITE BODY - BLACK COVER 7X30*	45	210	(**)	183,89
C0830NWLAS	MWG CAB. NEWMIDI LOGIX WHITE BODY - LIGHT BLUE COVER 8X30*	45	210		186,56
C0830NWLWS	MWG CAB. NEWMIDI LOGIX WHITE BODY - WHITE COVER 8X30*	45	210		186,56
C0830NWLDS	MWG CAB. NEWMIDI LOGIX WHITE BODY - BLACK COVER 8X30*	45	210	(**)	186,56
C0930NWLAS	MWG CAB. NEWMIDI LOGIX WHITE BODY - LIGHT BLUE COVER 9X30*	45	210		187,34
C0930NWLWS	MWG CAB. NEWMIDI LOGIX WHITE BODY - WHITE COVER 9X30 *	45	210	(**)	187,34
C0930NWLDS	MWG CAB. NEWMIDI LOGIX WHITE BODY - BLACK COVER 9X30 *	45	210	(**)	187,34
C1030NWLAS	MWG CAB. NEWMIDI LOGIX WHITE BODY - LIGHT BLUE COVER 10X30*	45	210		188,95
C1030NWLWS	MWG CAB. NEWMIDI LOGIX WHITE BODY - WHITE COVER 10X30*	45	210	(**)	188,95
C1030NWLDS	MWG CAB. NEWMIDI LOGIX WHITE BODY - BLACK COVER 10X30*	45	210	(**)	188,95

Ref	Width (mm)	Length (mm)	Height (mm)
C0730NWLAS	320	500	1010
C0730NWLWS	320	500	1010
C0730NWLDS	320	500	1010
C0830NWLAS	320	500	1010
C0830NWLWS	320	500	1010
C0830NWLDS	320	500	1010
C0930NWLAS	320	500	1010
C0930NWLWS	320	500	1010
C0930NWLDS	320	500	1010
C1030NWLAS	320	500	1010
C1030NWLWS	320	500	1010
C1030NWLDS	320	500	1010

Box: WxLxH	Box: Q.ty	Box: Weight	Pallet: WxLxH	Pallet: Q.ty	Pallet: Weight

Accessories

Ref	Description	Fam.	Subfam.	Note	Price Euro
PA009	MWG BRINE WELL D=100 MM H=690 MM (CAB. 30" + BRINETANK 140L)	45	230		15,73
PA001	MWG CAP FOR BRINE WELL D=100 MM	45	215		0,58

Certificates	Manufacturer	Sectors
	MWG	Domestic



Cabinets for Softeners Logix Series



Ref	Description	Fam.	Subfam.	Note	Price Euro
C0735NWLAS	MWG CAB. NEWMAXI LOGIX WHITE BODY - LIGHT BLUE COVER 7X35*	45	210		196,60
C0735NWLWS	MWG CAB. NEWMAXI LOGIX WHITE BODY - WHITE COVER 7X35*	45	210	(**)	196,60
C0735NWLDS	MWG CAB. NEWMAXI LOGIX WHITE BODY - BLACK COVER 7X35*	45	210		196,60
C0835NWLAS	MWG CAB. NEWMAXI LOGIX WHITE BODY - LIGHT BLUE COVER 8X35*	45	210		201,26
C0835NWLWS	MWG CAB. NEWMAXI LOGIX WHITE BODY - WHITE COVER 8X35*	45	210		201,26
C0835NWLDS	MWG CAB. NEWMAXI LOGIX WHITE BODY - BLACK COVER 8X35*	45	210		201,26
C0935NWLAS	MWG CAB. NEWMAXI LOGIX WHITE BODY - LIGHT BLUE COVER 9X35*	45	210		205,77
C0935NWLWS	MWG CAB. NEWMAXI LOGIX WHITE BODY - WHITE COVER 9X35*	45	210		205,77
C0935NWLDS	MWG CAB. NEWMAXI LOGIX WHITE BODY - BLACK COVER 9X35*	45	210		205,77
C1035NWLAS	MWG CAB. NEWMAXI LOGIX WHITE BODY - LIGHT BLUE COVER 10X35*	45	210		215,96
C1035NWLWS	MWG CAB. NEWMAXI LOGIX WHITE BODY - WHITE COVER 10X35*	45	210		215,96
C1035NWLDS	MWG CAB. NEWMAXI LOGIX WHITE BODY - BLACK COVER 10X35*	45	210		215,96

Ref	Width (mm)	Length (mm)	Height (mm)
C0735NWLAS	320	500	1140
C0735NWLWS	320	500	1140
C0735NWLDS	320	500	1140
C0835NWLAS	320	500	1140
C0835NWLWS	320	500	1140
C0835NWLDS	320	500	1140
C0935NWLAS	320	500	1140
C0935NWLWS	320	500	1140
C0935NWLDS	320	500	1140
C1035NWLAS	320	500	1140
C1035NWLWS	320	500	1140
C1035NWLDS	320	500	1140

Box: WxLxH	Box: Q.ty	Box: Weight	Pallet: WxLxH	Pallet: Q.ty	Pallet: Weight

Accessories

Ref	Description	Fam.	Subfam.	Note	Price Euro
PA004	MWG BRINE WELL D=100 MM H=820 MM (CAB. 35"MAXI)	45	215		17,20
PA001	MWG CAP FOR BRINE WELL D=100 MM	45	215		0,58

Certificates	Manufacturer	Sectors
	MWG	Domestic



Cabinets for Softeners Crystal Series

- Tanks and covers made in European Union (Italy);
- Cabinets for residential softeners, complete with salt lid and cover of exclusive design with clear insert;
- With MWG tank;
- Materials: tank and salt lid in HDPE; cover in polystyrene;
- Standard colours: white tank and blue, white or black cover;
- On demand and for quantities we can realize customized colours;
- EU design patent no. 003156272.

(**) minimum order quantity = 250 pcs.



Ref	Description	Fam.	Subfam.	Note	Price Euro
C0717EWCAS	MWG CAB. MINI CRYSTAL WHITE BODY - LIGHT BLUE COVER 7X17*	45	210		130,68
C0717EWCWS	MWG CAB. MINI CRYSTAL WHITE BODY - WHITE COVER 7X17*	45	210	(**)	130,68
C0717EWCDS	MWG CAB. MINI CRYSTAL WHITE BODY - BLACK COVER 7X17*	45	210	(**)	130,68
C0817EWCAS	MWG CAB. MINI CRYSTAL WHITE BODY - LIGHT BLUE COVER 8X17*	45	210		134,01
C0817EWCWS	MWG CAB. MINI CRYSTAL WHITE BODY - WHITE COVER 8X17*	45	210		134,01
C0817EWCDS	MWG CAB. MINI CRYSTAL WHITE BODY - BLACK COVER 8X17*	45	210	(**)	134,01
C0917EWCAS	MWG CAB. MINI CRYSTAL WHITE BODY - LIGHT BLUE COVER 9X17*	45	210		135,09
C0917EWCWS	MWG CAB. MINI CRYSTAL WHITE BODY - WHITE COVER 9X17*	45	210	(**)	135,09
C0917EWCDS	MWG CAB. MINI CRYSTAL WHITE BODY - BLACK COVER 9X17*	45	210	(**)	135,09
C1017EWCAS	MWG CAB. MINI CRYSTAL WHITE BODY - LIGHT BLUE COVER 10X17*	45	210		139,81
C1017EWCWS	MWG CAB. MINI CRYSTAL WHITE BODY - WHITE COVER 10X17*	45	210		139,81
C1017EWCDS	MWG CAB. MINI CRYSTAL WHITE BODY - BLACK COVER 10X17*	45	210		139,81

Ref	Width (mm)	Length (mm)	Height (mm)
C0717EWCAS	320	500	670
C0717EWCWS	320	500	670
C0717EWCDS	320	500	670
C0817EWCAS	320	500	670
C0817EWCWS	320	500	670
C0817EWCDS	320	500	670
C0917EWCAS	320	500	670
C0917EWCWS	320	500	670
C0917EWCDS	320	500	670
C1017EWCAS	320	500	670
C1017EWCWS	320	500	670
C1017EWCDS	320	500	670

Box: WxLxH	Box: Q.ty	Box: Weight	Pallet: WxLxH	Pallet: Q.ty	Pallet: Weight

Accessories

Ref	Description	Fam.	Subfam.	Note	Price Euro
PA002	MWG BRINE WELL D=100 MM H=340 MM (CAB. 17")	45	215		11,76
PA001	MWG CAP FOR BRINE WELL D=100 MM	45	215		0,58

Certificates	Manufacturer	Sectors
	MWG	Domestic



Cabinets for Softeners Crystal Series



Ref	Description	Fam.	Subfam.	Note	Price Euro
C0735EWCAS	MWG CAB. MAXI CRYSTAL WHITE BODY - LIGHT BLUE COVER 7X35*	45	210		187,82
C0735EWCWS	MWG CAB. MAXI CRYSTAL WHITE BODY - WHITE COVER 7X35*	45	210		187,82
C0735EWCDS	MWG CAB. MAXI CRYSTAL WHITE BODY - BLACK COVER 7X35*	45	210	(**)	187,82
C0835EWCAS	MWG CAB. MAXI CRYSTAL WHITE BODY - LIGHT BLUE COVER 8X35*	45	210		192,49
C0835EWCWS	MWG CAB. MAXI CRYSTAL WHITE BODY - WHITE COVER 8X35*	45	210		192,49
C0835EWCDS	MWG CAB. MAXI CRYSTAL WHITE BODY - BLACK COVER 8X35*	45	210		192,49
C0935EWCAS	MWG CAB. MAXI CRYSTAL WHITE BODY - LIGHT BLUE COVER 9X35*	45	210		196,99
C0935EWCWS	MWG CAB. MAXI CRYSTAL WHITE BODY - WHITE COVER 9X35*	45	210		196,99
C0935EWCDS	MWG CAB. MAXI CRYSTAL WHITE BODY - BLACK COVER 9X35*	45	210	(**)	196,99
C1035EWCAS	MWG CAB. MAXI CRYSTAL WHITE BODY - LIGHT BLUE COVER 10X35*	45	210		207,14
C1035EWCWS	MWG CAB. MAXI CRYSTAL WHITE BODY - WHITE COVER 10X35*	45	210		207,14
C1035EWCDS	MWG CAB. MAXI CRYSTAL WHITE BODY - BLACK COVER 10X35*	45	210		207,14

Ref	Width (mm)	Length (mm)	Height (mm)
C0735EWCAS	320	500	1140
C0735EWCWS	320	500	1140
C0735EWCDS	320	500	1140
C0835EWCAS	320	500	1140
C0835EWCWS	320	500	1140
C0835EWCDS	320	500	1140
C0935EWCAS	320	500	1140
C0935EWCWS	320	500	1140
C0935EWCDS	320	500	1140
C1035EWCAS	320	500	1140
C1035EWCWS	320	500	1140
C1035EWCDS	320	500	1140

Box: WxLxH	Box: Q.ty	Box: Weight	Pallet: WxLxH	Pallet: Q.ty	Pallet: Weight

Accessories

Ref	Description	Fam.	Subfam.	Note	Price Euro
PA004	MWG BRINE WELL D=100 MM H=820 MM (CAB. 35"MAXI)	45	215		17,20
PA001	MWG CAP FOR BRINE WELL D=100 MM	45	215		0,58

Certificates	Manufacturer	Sectors
	MWG	Domestic



Cabinets for Softeners Iceberg Series



- Tanks and covers made in European Union (Italy);
- Cabinets for residential softeners, complete with salt lid and cover of exclusive design;
- Materials: tank and salt lid in HDPE; cover in polystyrene;
- With MWG pressure tank;
- Standard colours: white tank and blue (or white or black) cover with white insert;
- On demand and for quantities we can realize customized colours;
- EU design patent no. 003156272.

(**) minimum order quantity = 250 pcs.

Ref	Description	Fam.	Subfam.	Note	Price Euro
C0717EWIQS	MWG CAB. MINI ICEBERG WHITE BODY - LIGHT BLUE/WHITE COVER 7X17*	45	210	(**)	130,68
C0817EWIQS	MWG CAB. MINI ICEBERG WHITE BODY - LIGHT BLUE/WHITE COVER 8X17*	45	210		134,01
C0917EWIQS	MWG CAB. MINI ICEBERG WHITE BODY - LIGHT BLUE/WHITE COVER 9X17*	45	210		135,09
C1017EWIQS	MWG CAB. MINI ICEBERG WHITE BODY - LIGHT BLUE/WHITE COVER 10X17*	45	210		139,81

Ref	Width (mm)	Length (mm)	Height (mm)
C0717EWIQS	320	500	670
C0817EWIQS	320	500	670
C0917EWIQS	320	500	670
C1017EWIQS	320	500	670

Box: WxLxH	Box: Q.ty	Box: Weight	Pallet: WxLxH	Pallet: Q.ty	Pallet: Weight

Certificates	Manufacturer	Sectors
	MWG	Domestic



Ref	Description	Fam.	Subfam.	Note	Price Euro
C0735EWIQS	MWG CAB. MAXI ICEBERG WHITE BODY - LIGHT BLUE/WHITE COVER 7X35*	45	210		187,82
C0835EWIQS	MWG CAB. MAXI ICEBERG WHITE BODY - LIGHT BLUE/WHITE COVER 8X35*	45	210		192,49
C0935EWIQS	MWG CAB. MAXI ICEBERG WHITE BODY - LIGHT BLUE/WHITE COVER 9X35*	45	210		196,99
C1035EWIQS	MWG CAB. MAXI ICEBERG WHITE BODY - LIGHT BLUE/WHITE COVER 10X35*	45	210		207,14

Ref	Width (mm)	Length (mm)	Height (mm)
C0735EWIQS	320	500	1140
C0835EWIQS	320	500	1140
C0935EWIQS	320	500	1140
C1035EWIQS	320	500	1140

Box: WxLxH	Box: Q.ty	Box: Weight	Pallet: WxLxH	Pallet: Q.ty	Pallet: Weight

Certificates	Manufacturer	Sectors
	MWG	Domestic



Cabinets for Softeners Iceberg Series

Accessories

Ref	Description	Fam.	Subfam.	Note	Price Euro
PA002	MWG BRINE WELL D=100 MM H=340 MM (CAB. 17")	45	215		11,76
PA001	MWG CAP FOR BRINE WELL D=100 MM	45	215		0,58

Accessories

Ref	Description	Fam.	Subfam.	Note	Price Euro
PA004	MWG BRINE WELL D=100 MM H=820 MM (CAB. 35" MAXI)	45	215		17,20
PA001	MWG CAP FOR BRINE WELL D=100 MM	45	215		0,58



Cabinets for Softeners Joker Series



Cab. JOKER

- Tanks and covers made in European Union (Italy);
- JOKER brine/resin tanks that can be combined in special bi-blocs cabinets;
- Capacity as brine tank 82 liters;
- Suitable to fit 7" - 8" - 9" - 10" x 35" tanks as resin tank;
- Overall dimensions 310 x 310 mm height 900 mm;
- Materials: tank in HDPE; cover in ABS;
- Standard colours: white tank and blue, white or black cover;
- With MWG pressure tank;
- On demand and for quantities we can realize customized colours;
- EU design patent no. 003156272.

(**) minimum order quantity = 250 pcs.

Ref	Description	Fam.	Subfam.	Note	Price Euro
C0735AWJAX	MWG CAB. JOKER WHITE BODY - LIGHT BLUE COVER 7X35*	45	210	(**)	127,04
C0735AWJWX	MWG CAB. JOKER WHITE BODY - WHITE COVER 7X35*	45	210	(**)	127,04
C0735AWJDX	MWG CAB. JOKER WHITE BODY - BLACK COVER 7X35*	45	210	(**)	127,04
C0835AWJAX	MWG CAB. JOKER WHITE BODY - LIGHT BLUE COVER 8X35*	45	210		133,26
C0835AWJWX	MWG CAB. JOKER WHITE BODY - WHITE COVER 8X35*	45	210	(**)	133,26
C0835AWJDX	MWG CAB. JOKER WHITE BODY - BLACK COVER 8X35*	45	210		133,26
C0935AWJAX	MWG CAB. JOKER WHITE BODY - LIGHT BLUE COVER 9X35*	45	210		139,23
C0935AWJWX	MWG CAB. JOKER WHITE BODY - WHITE COVER 9X35*	45	210	(**)	139,23
C0935AWJDX	MWG CAB. JOKER WHITE BODY - BLACK COVER 9X35*	45	210		139,23
C1035AWJAX	MWG CAB. JOKER WHITE BODY - LIGHT BLUE COVER 10X35*	45	210		152,67
C1035AWJWX	MWG CAB. JOKER WHITE BODY - WHITE COVER 10X35*	45	210	(**)	152,67
C1035AWJDX	MWG CAB. JOKER WHITE BODY - BLACK COVER 10X35*	45	210	(**)	152,67

Box: WxLxH	Box: Q.ty	Box: Weight	Pallet: WxLxH	Pallet: Q.ty	Pallet: Weight

Accessories

Ref	Description	Fam.	Subfam.	Note	Price Euro
PA004	MWG BRINE WELL D=100 MM H=820 MM (CAB. 35"MAXI)	45	215		17,20
PA001	MWG CAP FOR BRINE WELL D=100 MM	45	215		0,58

Certificates	Manufacturer	Sectors
	MWG	Domestic



JOKER A

JOKER B

Joker brine tanks

Ref	Description	Fam.	Subfam.	Note	Price Euro
T0082AWAA	MWG BRINE TANK JOKER A WHITE BODY - LIGHT BLUE COVER*	45	220		47,04
T0082AWAW	MWG BRINE TANK JOKER A WHITE BODY - WHITE COVER*	45	220		47,04
T0082AWAD	MWG BRINE TANK JOKER A WHITE BODY - BLACK COVER *	45	220		47,04
T0082BWBA	MWG BRINE TANK JOKER B WHITE BODY - LIGHT BLUE COVER*	45	220		46,73
T0082BWBW	MWG BRINE TANK JOKER B WHITE BODY - WHITE COVER*	45	220		46,73
T0082BWBD	MWG BRINE TANK JOKER B WHITE BODY - BLACK COVER*	45	220		46,73

Box: WxLxH	Box: Q.ty	Box: Weight	Pallet: WxLxH	Pallet: Q.ty	Pallet: Weight

Certificates	Manufacturer	Sectors
	MWG	Domestic



Cabinets for Softeners New Series



- Tanks and salt lids made in European Union (Italy); - Cabinets for residential softeners;
- Materials: tank in HDPE; salt lid in polystyrene; - Standard colours: tank and salt lid white;
- With MWG pressure tank;
- On demand and for quantities we can realize customized colours; - EU design patent no. 003156272.

(**) minimum order quantity = 250 pcs.

Ref	Description	Fam.	Subfam.	Note	Price Euro
C0717NWXXS	MWG CAB. NEWMINI WHITE BODY - NO COVER 7X17*	45	210	(**)	101,36
C0817NWXXS	MWG CAB. NEWMINI WHITE BODY - NO COVER 8X17*	45	210		104,70
C0917NWXXS	MWG CAB. NEWMINI WHITE BODY - NO COVER 9X17*	45	210	(**)	107,40
C1017NWXXS	MWG CAB. NEWMINI WHITE BODY - NO COVER 10X17*	45	210		113,63

Ref	Width (mm)	Length (mm)	Height (mm)
C0717NWXXS	320	500	435
C0817NWXXS	320	500	435
C0917NWXXS	320	500	435
C1017NWXXS	320	500	435

Box: WxLxH	Box: Q.ty	Box: Weight	Pallet: WxLxH	Pallet: Q.ty	Pallet: Weight

Accessories

Ref	Description	Fam.	Subfam.	Note	Price Euro
PA002	MWG BRINE WELL D=100 MM H=340 MM (CAB. 17")	45	215		11,76
PA001	MWG CAP FOR BRINE WELL D=100 MM	45	215		0,58

Ref	Description	Fam.	Subfam.	Note	Price Euro
C0730NWXXS	MWG CAB. NEWMIDI WHITE BODY - NO COVER 7X30*	45	210		148,58
C0830NWXXS	MWG CAB. NEWMIDI WHITE BODY - NO COVER 8X30*	45	210		152,09
C0930NWXXS	MWG CAB. NEWMIDI WHITE BODY - NO COVER 9X30*	45	210		153,10
C1030NWXXS	MWG CAB. NEWMIDI WHITE BODY - NO COVER 10X30*	45	210		155,24

Ref	Width (mm)	Length (mm)	Height (mm)
C0730NWXXS	320	500	775
C0830NWXXS	320	500	775
C0930NWXXS	320	500	775
C1030NWXXS	320	500	775

Box: WxLxH	Box: Q.ty	Box: Weight	Pallet: WxLxH	Pallet: Q.ty	Pallet: Weight

Accessories

Ref	Description	Fam.	Subfam.	Note	Price Euro
PA009	MWG BRINE WELL D=100 MM H=690 MM (CAB. 30" + BRINETANK 140L)	45	230		15,73
PA001	MWG CAP FOR BRINE WELL D=100 MM	45	215		0,58

Certificates	Manufacturer	Sectors
	MWG	Domestic



Cabinets for Softeners New Series



Ref	Description	Fam.	Subfam.	Note	Price Euro
C0735NWXXS	MWG CAB. NEWMAXI WHITE BODY - NO COVER 7X35*	45	210		158,52
C0835NWXXS	MWG CAB. NEWMAXI WHITE BODY - NO COVER 8X35*	45	210		165,55
C0935NWXXS	MWG CAB. NEWMAXI WHITE BODY - NO COVER 9X35*	45	210		171,52
C1035NWXXS	MWG CAB. NEWMAXI WHITE BODY - NO COVER 10X35*	45	210		184,97

Ref	Width (mm)	Length (mm)	Height (mm)
C0735NWXXS	320	500	895
C0835NWXXS	320	500	895
C0935NWXXS	320	500	895
C1035NWXXS	320	500	895

Box: WxLxH	Box: Q.ty	Box: Weight	Pallet: WxLxH	Pallet: Q.ty	Pallet: Weight

Accessories

Ref	Description	Fam.	Subfam.	Note	Price Euro
PA004	MWG BRINE WELL D=100 MM H=820 MM (CAB. 35"MAXI)	45	215		17,20
PA001	MWG CAP FOR BRINE WELL D=100 MM	45	215		0,58

Certificates	Manufacturer	Sectors
	MWG	Domestic



Cabinets for Softeners “Mini” - “Maxi” Series



- Tanks and salt lids made in European Union (Italy);
- Cabinets for residential softeners;
- Materials: tank in HDPE; salt lid in polystyrene;
- Standard colours: tank and salt lid white;
- With MWG pressure tank;
- On demand and for quantities we can realize customized colours;
- EU design patent no. 003156272.

(**) minimum order quantity = 250 pcs.

Ref	Description	Fam.	Subfam.	Note	Price Euro
C0717EWXXS	MWG CAB. MINI WHITE BODY - NO COVER 7X17*	45	210		101,36
C0817EWXXS	MWG CAB. MINI WHITE BODY - NO COVER 8X17*	45	210		104,70
C0917EWXXS	MWG CAB. MINI WHITE BODY - NO COVER 9X17*	45	210		107,40
C1017EWXXS	MWG CAB. MINI WHITE BODY - NO COVER 10X17*	45	210		113,63

Ref	Width (mm)	Length (mm)	Height (mm)
C0717EWXXS	320	500	435
C0817EWXXS	320	500	435
C0917EWXXS	320	500	435
C1017EWXXS	320	500	435

Box: WxLxH	Box: Q.ty	Box: Weight	Pallet: WxLxH	Pallet: Q.ty	Pallet: Weight

Accessories

Ref	Description	Fam.	Subfam.	Note	Price Euro
PA002	MWG BRINE WELL D=100 MM H=340 MM (CAB. 17")	45	215		11,76
PA001	MWG CAP FOR BRINE WELL D=100 MM	45	215		0,58

Certificates	Manufacturer	Sectors
	MWG	Domestic



Cabinets for Softeners "Mini" - "Maxi" Series



Ref	Description	Fam.	Subfam.	Note	Price Euro
C0735EWXXS	MWG CAB. MAXI WHITE BODY - NO COVER 7X35*	45	210		158,52
C0835EWXXS	MWG CAB. MAXI WHITE BODY - NO COVER 8X35*	45	210		165,55
C0935EWXXS	MWG CAB. MAXI WHITE BODY - NO COVER 9X35*	45	210	(**)	171,52
C1035EWXXS	MWG CAB. MAXI WHITE BODY - NO COVER 10X35*	45	210		184,97

Ref	Width (mm)	Length (mm)	Height (mm)
C0735EWXXS	320	500	895
C0835EWXXS	320	500	895
C0935EWXXS	320	500	895
C1035EWXXS	320	500	895

Box: WxLxH	Box: Q.ty	Box: Weight	Pallet: WxLxH	Pallet: Q.ty	Pallet: Weight

Accessories

Ref	Description	Fam.	Subfam.	Note	Price Euro
PA004	MWG BRINE WELL D=100 MM H=820 MM (CAB. 35"MAXI)	45	215		17,20
PA001	MWG CAP FOR BRINE WELL D=100 MM	45	215		0,58

Certificates	Manufacturer	Sectors
	MWG	Domestic

Brine tanks MWG





Residential Square Brine Tank



- Made in European Union (Italy);
- Brine tank material HDPE;
- Complete with cover in ABS;
- Dimensions 380 x 380 mm, height 790 mm;
- Capacity 85 liters;
- Available multiple packaging of 30 pcs per pallet;
- EU design patent no. 003156272;
- Please, don't put salt in the brine tank more than half capacity.

Ref	Description	Fam.	Subfam.		Price Euro
T0085QWQA	MWG SQUARE BRINE TANK WHITE BODY - LIGHT BLUE COVER*	45	220		43,43
T0085QWQW	MWG SQUARE BRINE TANK WHITE BODY - WHITE COVER*	45	220		44,52
T0085QWQD	MWG SQUARE BRINE TANK WHITE BODY - BLACK COVER*	45	220		43,43

Ref	Description	Tank colour	Cover colour
T0085QWQA	MWG SQUARE BRINE TANK WHITE BODY - LIGHT BLUE COVER*	White	Blue
T0085QWQW	MWG SQUARE BRINE TANK WHITE BODY - WHITE COVER*	White	White
T0085QWQD	MWG SQUARE BRINE TANK WHITE BODY - BLACK COVER*	White	Black

Box: WxLxH	Box: Q.ty	Box: Weight	Pallet: WxLxH	Pallet: Q.ty	Pallet: Weight

Certificates	Manufacturer	Sectors
	MWG	Domestic



Accessories: Salt grid

- Made in European Union (Italy);
- Material HDPE;
- Height 200 mm;
- Hole for brine well diameter 100 mm;
- Salt gride holes 3 mm.

Ref	Description	Fam.	Subfam.		Price Euro
PC006	MWG SALT GRIDE FOR SQUARE BRINE TANK*	45	230		21,42

Box: WxLxH	Box: Q.ty	Box: Weight	Pallet: WxLxH	Pallet: Q.ty	Pallet: Weight

Certificates	Manufacturer	Sectors
	MWG	Domestic

Brine well

- Material PVC with cover;
- Diameter 100 mm;
- Height 640 mm.

Ref	Description	Fam.	Subfam.		Price Euro
PA008	MWG BRINE WELL D=100 MM H=640 MM (SQUARE BRINE TANK)	45	230		14,34
PA001	MWG CAP FOR BRINE WELL D=100 MM	45	215		0,58

Box: WxLxH	Box: Q.ty	Box: Weight	Pallet: WxLxH	Pallet: Q.ty	Pallet: Weight

Certificates	Manufacturer	Sectors
		Domestic



Residential Round Brine Tanks



- Made in European Union (Italy);
- Brine tanks complete with cover;
- Material PE medium density, rotomolded;
- Single or multiple packaging of 20 pcs per pallet for 100 liters and 140 liters brine tanks and 16 pcs per pallet for 190 liters brine tanks;
- Colour white opaque UVA ray resistant;
- Cover colours available: white, blue or black;
- EU design patent no. 003156272;
- Please, don't put salt in the brine tank more than half capacity..

Ref	Description	Fam.	Subfam.		Price Euro
T0100CWCW	MWG BRINE TANK LT 100 WHITE BODY - WHITE COVER*	45	221		99,46
T0100CWCA	MWG BRINE TANK LT 100 WHITE BODY - LIGHT BLUE COVER*	45	221		99,46
T0100CWCD	MWG BRINE TANK LT 100 WHITE BODY - BLACK COVER*	45	221		99,46

Ref	Capacity (liters)	Cover colour	A (mm)	B (mm)	C (mm)
T0100CWCW	100	White	460	616	565
T0100CWCA	100	Light Blue	460	616	565
T0100CWCD	100	Black	460	616	565

Box: WxLxH	Box: Q.ty	Box: Weight	Pallet: WxLxH	Pallet: Q.ty	Pallet: Weight
			105x105x230	24	110

Certificates	Manufacturer	Sectors
	MWG	Domestic, Commercial

Ref	Description	Fam.	Subfam.		Price Euro
T0140CWCW	MWG BRINE TANK LT 140 WHITE BODY - WHITE COVER*	45	221		120,91
T0140CWCA	MWG BRINE TANK LT 140 WHITE BODY - LIGHT BLUE COVER*	45	221		120,91
T0140CWCD	MWG BRINE TANK LT 140 WHITE BODY - BLACK COVER*	45	221		120,91

Ref	Capacity (Liters)	Cover colour	A (mm)	B (mm)	C (mm)
T0140CWCW	140	White	460	843	565
T0140CWCA	140	Light Blue	460	843	565
T0140CWCD	140	Black	460	843	565

Box: WxLxH	Box: Q.ty	Box: Weight	Pallet: WxLxH	Pallet: Q.ty	Pallet: Weight
			105x105x225	20	140

Certificates	Manufacturer	Sectors
	MWG	Domestic, Commercial



Residential Round Brine Tanks



Ref	Description	Fam.	Subfam.		Price Euro
T0190CWCW	MWG BRINE TANK LT 190 WHITE BODY - WHITE COVER*	45	222		149,38
T0190CWCA	MWG BRINE TANK LT 190 WHITE BODY - LIGHT BLUE COVER*	45	222		149,38
T0190CWCD	MWG BRINE TANK LT 190 WHITE BODY - BLACK COVER*	45	222		149,38

Ref	Capacity (liters)	Cover color	A (mm)	B (mm)	C (mm)
T0190CWCW	190	White	460	1123	565
T0190CWCA	190	Light Blue	460	1123	565
T0190CWCD	190	Black	460	1123	565

Box: WxLxH	Box: Q.ty	Box: Weight	Pallet: WxLxH	Pallet: Q.ty	Pallet: Weight
			105x105x230	16	130

Certificates	Manufacturer	Sectors
	MWG	Domestic, Commercial



Residential Round Brine Tanks

Accessories: Salt grid

- Made in European Union (Italy);
- Material PE medium density;
- Hole for brine well diameter 100 mm;
- Salt gride holes ~ 3 mm.



Ref	Description	Fam.	Subfam.		Price Euro
PC031	MWG SALT GRIDE FOR BRINE TANK LT 100-140-190 H=130	45	230		21,21

Ref	Description	Height (mm)	Diameter (mm)
PC031	MWG SALT GRIDE FOR BRINE TANK LT 100-140-190 H=130	130	475

Box: WxLxH	Box: Q.ty	Box: Weight	Pallet: WxLxH	Pallet: Q.ty	Pallet: Weight

Certificates	Manufacturer	Sectors
	MWG	Domestic



Ref	Description	Fam.	Subfam.		Price Euro
PC032	MWG SALT GRIDE FOR BRINE TANK LT 100-140-190 H=200 *	45	230		28,00

Ref	Description	Height (mm)	Diameter (mm)
PC032	MWG SALT GRIDE FOR BRINE TANK LT 100-140-190 H=200 *	200	475

Box: WxLxH	Box: Q.ty	Box: Weight	Pallet: WxLxH	Pallet: Q.ty	Pallet: Weight

Certificates	Manufacturer	Sectors
	MWG	Domestic



Ref	Description	Fam.	Subfam.		Price Euro
PC033	MWG SALT GRIDE FOR BRINE TANK LT 100-140-190 H=270 *	45	230		42,79

Ref	Description	Height (mm)	Diameter (mm)
PC033	MWG SALT GRIDE FOR BRINE TANK LT 100-140-190 H=270 *	270	475

Box: WxLxH	Box: Q.ty	Box: Weight	Pallet: WxLxH	Pallet: Q.ty	Pallet: Weight

Certificates	Manufacturer	Sectors
	MWG	Domestic



Residential Round Brine Tanks

Brine well

- Material PVC with cover;
- Diameter 100 mm

Ref	Description	Fam.	Subfam.	Disp.Stock	Price Euro
PA074	MWG BRINE WELL D=100 MM H=520 MM (CAB. 24" + BRINETANK 100L)	45	215		13,20
PA001	MWG CAP FOR BRINE WELL D=100 MM	45	215		0,58

Ref	Description	Height (mm)	For brine tanks (liters)
PA074	MWG BRINE WELL D=100 MM H=520 MM (CAB. 24" + BRINETANK 100L)	520	100

Certificates	Manufacturer	Sectors
		Domestic

Ref	Description	Fam.	Subfam.	Price Euro
PA009	MWG BRINE WELL D=100 MM H=690 MM (CAB. 30" + BRINETANK 140L)	45	230	15,73
PA001	MWG CAP FOR BRINE WELL D=100 MM	45	215	0,58

Ref	Description	Height (mm)	For brine tanks (liters)
PA009	MWG BRINE WELL D=100 MM H=690 MM (CAB. 30" + BRINETANK 140L)	690	140

Certificates	Manufacturer	Sectors
		Domestic

Ref	Description	Fam.	Subfam.	Price Euro
PA014	MWG BRINE WELL D=100 MM H=970 MM (BRINE TANK 190L)	45	230	18,69
PA001	MWG CAP FOR BRINE WELL D=100 MM	45	215	0,58

Ref	Description	Height (mm)	For brine tanks (liters)
PA014	MWG BRINE WELL D=100 MM H=970 MM (BRINE TANK 190L)	970	190

Certificates	Manufacturer	Sectors
		Domestic



Industrial Round Brine Tanks



- Made in European Union (Italy);
- Brine tanks complete with cover;
- Material PE medium density, rotomolded;
- Single or multiple packaging of 3 pcs per pallet;
- Colour white opaque UVA ray resistant;
- Cover colours available: white, blue or black;
- EU design patent no. 003156272;
- Please, don't put salt in the brine tank more than half capacity.

Ref	Description	Fam.	Subfam.		Price Euro
T0340CWCW	MWG BRINE TANK LT 340 WHITE BODY - WHITE COVER*	45	223		242,75
T0340CWCA	MWG BRINE TANK LT 340 WHITE BODY - LIGHT BLUE COVER*	45	223		242,75
T0340CWCD	MWG BRINE TANK LT 340 WHITE BODY - BLACK COVER*	45	223		242,75

Ref	Capacity (liters)	Cover color	A (mm)	B (mm)	C (mm)
T0340CWCW	340	White	594	1200	723
T0340CWCA	340	Light Blu	594	1200	723
T0340CWCD	340	Black	594	1200	723

Box: WxLxH	Box: Q.ty	Box: Weight	Pallet: WxLxH	Pallet: Q.ty	Pallet: Weight
			80x80x215	3	40

Certificates	Manufacturer	Sectors
	MWG	Commercial, Industrial

Ref	Description	Fam.	Subfam.		Price Euro
T0460CWCW	MWG BRINE TANK LT 460 WHITE BODY - WHITE COVER*	45	223		349,03
T0460CWCA	MWG BRINE TANK LT 460 WHITE BODY - LIGHT BLUE*	45	223		349,03
T0460CWCD	MWG BRINE TANK LT 460 WHITE BODY - BLACK COVER*	45	223		349,03

Ref	Capacity (liters)	Cover color	A (mm)	B (mm)	C (mm)
T0460CWCW	460	White	703	1196	833
T0460CWCA	460	Light Blu	703	1196	833
T0460CWCD	460	Black	703	1196	833

Box: WxLxH	Box: Q.ty	Box: Weight	Pallet: WxLxH	Pallet: Q.ty	Pallet: Weight
			80x80x210	3	55

Certificates	Manufacturer	Sectors
	MWG	Commercial, Industrial



Industrial Round Brine Tanks



Accessories: Salt grid

- Made in European Union (Italy);
- Material PE medium density;
- Hole for brine well diameter 160 mm;
- Salt gride holes $\square = 5$ mm.

Ref	Description	Fam.	Subfam.		Price Euro
PC070	MWG SALT GRIDE FOR BRINE TANK 340 L	45	230		101,91
PC071	MWG SALT GRIDE FOR BRINE TANK 460 L	45	230		107,99

Ref	Height (mm)	Diameter (mm)	For brine tanks (liters)
PC070	391	600	340
PC071	419	700	460

Box: WxLxH	Box: Q.ty	Box: Weight	Pallet: WxLxH	Pallet: Q.ty	Pallet: Weight

Certificates	Manufacturer	Sectors
	MWG	Commercial, Industrial

Brine well

- Material PVC with cover;
- Diameter 160 mm;
- Height 1050 mm.

Ref	Description	Fam.	Subfam.		Price Euro
PA016T	MWG BRINE WELL D=160 MM H=1050 MM (IND. BRINE TANK)	45	230		38,84
PA058	MWG CAP FOR BRINE WELL D=160 MM	45	230		1,04

Certificates	Manufacturer	Sectors
		Commercial, Industrial



Industrial Round Brine Tanks



- Made in European Union (Italy);
- Brine tanks complete with cover;
- Material PE medium density, rotomolded;
- Single or multiple packaging of 3 pcs per pallet;
- Colour white opaque UVA ray resistant;
- Cover colours available: white, blue or black;
- EU design patent no. 003156272;
- Please, don't put salt in the brine tank more than half capacity.

Ref	Description	Fam.	Subfam.		Price Euro
T0670CWCW	MWG BRINE TANK LT 670 WHITE BODY - WHITE COVER*	45	224		488,38
T0670CWCA	MWG BRINE TANK LT 670 WHITE BODY - LIGHT BLUE COVER*	45	224		488,38
T0670CWCD	MWG BRINE TANK LT 670 WHITE BODY - BLACK COVER*	45	224		488,38

Ref	Capacity (liters)	Cover color	A (mm)	B (mm)	C (mm)
T0670CWCW	670	White	847	1196	973
T0670CWCA	670	Light Blu	847	1196	973
T0670CWCD	670	Black	847	1196	973

Box: WxLxH	Box: Q.ty	Box: Weight	Pallet: WxLxH	Pallet: Q.ty	Pallet: Weight
			80x80x210	3	70

Certificates	Manufacturer	Sectors
	MWG	Industrial

Ref	Description	Fam.	Subfam.		Price Euro
T0920CWCW	MWG BRINE TANK LT 920 WHITE BODY - WHITE COVER*	45	224		623,38
T0920CWCA	MWG BRINE TANK LT 920 WHITE BODY - LIGHT BLUE COVER*	45	224		623,38
T0920CWCD	MWG BRINE TANK LT 920 WHITE BODY - BLACK COVER*	45	224		623,38

Ref	Capacity (liters)	Cover color	A (mm)	B (mm)	C (mm)
T0920CWCW	920	White	997	1206	1123
T0920CWCA	920	Light Blu	997	1206	1123
T0920CWCD	920	Black	997	1206	1123

Box: WxLxH	Box: Q.ty	Box: Weight	Pallet: WxLxH	Pallet: Q.ty	Pallet: Weight
			105x105x235	3	85

Certificates	Manufacturer	Sectors
	MWG	Industrial



Industrial Round Brine Tanks

Accessories: Salt grid

- Made in European Union (Italy);
- Material PE medium density;
- Hole for brine well diameter 160 mm;
- Salt gride holes $\square = 5$ mm.



Ref	Description	Fam.	Subfam.		Price Euro
PC072	MWG SALT GRIDE FOR BRINE TANK 670 L	45	230		174,00
PC073	MWG SALT GRIDE FOR BRINE TANK 920 L	45	230		185,92

Ref	Height (mm)	Diameter (mm)	For brine tanks (liters)
PC072	391	835	670
PC073	413	1010	920

Box: WxLxH	Box: Q.ty	Box: Weight	Pallet: WxLxH	Pallet: Q.ty	Pallet: Weight

Certificates	Manufacturer	Sectors
	MWG	Industrial

Brine well

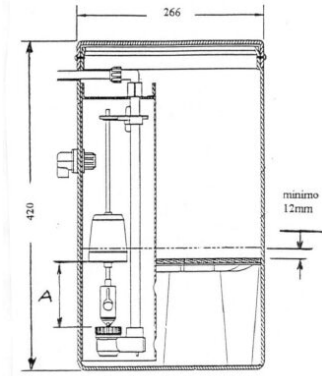
- Material PVC with cover;
- Diameter 160 mm;
- Height 1050 mm.

Ref	Description	Fam.	Subfam.		Price Euro
PA016T	MWG BRINE WELL D=160 MM H=1050 MM (IND. BRINE TANK)	45	230		38,84
PA058	MWG CAP FOR BRINE WELL D=160 MM	45	230		1,04

Certificates	Manufacturer	Sectors
		Industrial



Potassium Permanganate Feeder



- Feeder for potassium permanganate solution, to realize automatic iron removal systems with manganese greensand;
- Complete with floating valve, well, special grid for permanganate, overflow, safety screw for cover;
- Material: polyethylene;
- Dimensions: diameter 266 mm, height 420 mm;
- Storage KMnO4 capacity: 13,6 kg;
- Connection for 3/8" tubing;
- Colour black.

Float setting:

- Suggested dose of regenerant: 2 ÷ 4 g KMnO4 per greensand liter KMnO4 solution: 30 g/l at 10°C 60 g/l at 22°C
- Minimum A floating setting at 108 mm is equivalent to 4 liters of solution.

Ref	Description	Fam.	Subfam.	Price Euro
AV120	COMPLETE PERMANGANATE FEEDER FOR 255FA -268FA	10	62	178,57

Certificates	Manufacturer	Sectors
		Domestic

Reverse osmosis membranes MWG, CSM, VONTRON





MWG Membranes



Ref	Description	Fam.	Subfam.		Price Euro
MMRO1812-50	MWG 1.8" MEMBRANE RO1812-50	30	151		12,49
MMRO1812-75	MWG 1.8" MEMBRANE RO1812-75	30	151		16,51
MMRO2012-100	MWG 2" MEMBRANE RO2012-100	30	151		19,73
MMRO2012-150	MWG 2" MEMBRANE RO2012-150	30	151		24,97
MMRO2012-200	MWG 2" MEMBRANE RO2012-200	30	151		29,78
MMRO2812-200	MWG 2.8" MEMBRANE RO2812-200	30	156		52,35
MMRO3012-300	MWG 3" MEMBRANE RO3012-300	30	156		60,40
MMRO3012-400	MWG 3" MEMBRANE RO3012-400	30	156		68,45
MMNF1812	MWG 1.8" MEMBRANE NF-1812	30	151		26,18
MMNF2012	MWG 2" MEMBRANE NF-2012	30	151		32,22
MMNF3012	MWG 3" MEMBRANE NF-3012	30	156		74,09
MMXLP2521	MWG 2.5" MEMBRANE XLP-2521	30	161		181,19
MMXLP2540	MWG 2.5" MEMBRANE XLP-2540	30	161		201,32
MMXLP4040	MWG 4" MEMBRANE XLP-4040	30	162		249,64
MMXLP8040HR	MWG 8" MEMBRANE XLP-8040HR	35	163		1095,16
MMULP2540	MWG 2.5" MEMBRANE ULP-2540	30	161		201,32
MMULP4021	MWG 4" MEMBRANE ULP-4021	30	162		209,37
MMULP4040	MWG 4" MEMBRANE ULP-4040	30	162		249,64
MMULP4040HR	MWG 4" MEMBRANE ULP-4040MR	30	162		281,85
MMULP4040MR	MWG 4" MEMBRANE ULP-4040MR	30	162		281,85
MMULP8040	MWG 8" MEMBRANE ULP-8040	35	163		1095,16
MMBW4040	MWG 4" MEMBRANE BW-4040	30	162		281,85
MMBW8040	MWG 8" MEMBRANE BW-8040	35	163		1095,16
MMBW8040FR	MWG 8" MEMBRANE BW-8040FR	35	163		1207,90
MMBW8040HR	MWG 8" MEMBRANE BW-8040HR	35	163		1095,16
MMSW2521	MWG 2.5" MEMBRANE SW-2521	30	161		273,79
MMSW2540	MWG 2.5" MEMBRANE SW-2540	30	161		314,06
MMSW4021	MWG 4" MEMBRANE SW-4021	30	162		334,19
MMSW4040MR	MWG 4" MEMBRANE SW-4040MR	30	162		471,08
MMSW8040HR	MWG 8" MEMBRANE SW-8040HR	35	163		1497,79



MWG Membranes

Ref	Mod.	Permeate flow rate GPD (m ³ /d)	Rejection NaCl (%)	Effective area m2 (ft2)	Spacer (mil)	Test	NSF
MMRO1812-50	TW RO	50 (0,19)	98,0	0,37 (4)	X	1	58
MMRO1812-75	TW RO	75 (0,28)	98,0	0,37 (4)	X	1	58
MMRO2012-100	TW RO	100 (0,38)	98,0	0,56 (6)	X	1	58
MMRO2012-150	TW RO	150 (0,57)	98,0	0,56 (6)	X	1	58
MMRO2012-200	TW RO	200 (0,67)	97,0	0,75 (8)	X	9	58
MMRO2812-200	TW RO	200 (0,76)	98,0	0,93 (10)	X	1	58
MMRO3012-300	TW RO	300 (1,14)	98,0	1,3 (14)	X	1	58
MMRO3012-400	TW RO	400 (1,52)	98,0	1,3 (14)	X	1	58
MMNF1812	TW NF	100 (0,38) 100 (0,38)	30-5096,0	0,37 (4)	X	2	X
MMNF2012	TW NF	150 (0,57) 150 (0,57)	30-5096,0	0,56 (6)	X	2	X
MMNF3012	TW NF	350 (1,32) 350 (1,32)	30-5096,0	1,3 (14)	X	2	X
MMXLP2521	XLP	300 (1,13)	99,2	1,3 (14)	X	3	X
MMXLP2540	XLP	600 (2,27)	99,2	2,5 (27)	X	3	X
MMXLP4040	XLP	2.400 (9,1)	99,2	7,9 (85)	X	4	X
MMXLP8040HR	XLP	9.000 (34,1)	99,3	35,3 (380)	X	4	X
MMULP2540	LP	750 (2,84)	99,3	2,5 (27)	X	5	X
MMULP4021	LP	950 (3,6)	99,3	3,4 (36)	X	5	61
MMULP4040	LP	2.700 (10,2)	99,4	9,3 (100)	28	5	61
MMULP4040HR	LP	1.800 (6,8)	99,7	7,9 (85)	X	5	61
MMULP4040MR	LP	2.200 (8,3)	99,6	9,3 (100)	28	5	61
MMULP8040	LP	12.000 (45,4)	99,3	39 (420)	X	5	61
MMBW4040	BW	2.400 (9,1)	99,6	7,9 (85)	X	6	61
MMBW8040	BW	10.500 (39,7)	99,6	37,2 (400)	X	6	61
MMBW8040FR	BW	9.500 (35,9)	99,7	34 (365)	34	6	X
MMBW8040HR	BW	9.500 (35,9)	99,7	37,2 (400)	X	6	X
MMSW2521	SW	300 (1,13)	99,7	1,3 (14)	X	7	X
MMSW2540	SW	600 (2,27)	99,7	2,5 (27)	X	7	X
MMSW4021	SW	800 (3,04)	99,7	3,4 (36)	X	7	X
MMSW4040MR	SW	1.800 (6,8)	99,7	7,9 (85)	X	7	61
MMSW8040HR	SW	6.500 (24,6)	99,8	37,2 (400)	28	7	X
Certificates		Manufacturer			Sectors		
DM174-2004		MWG			Domestic, Commercial, Industrial		



MWG Membranes

Test condition	Pressure (psi)	Temperature of solution NaCl (°C)	Concentration of NaCl solution (ppm)	Concentration of MgSO4 solution (ppm)	pH	Recovery rate (%)
1	60	25	250	-	7,5-8,0	15
2	60	25	250	250	7,5-8,0	15
3	100	25	500	-	7,5-8,0	8
4	100	25	500	-	7,5-8,0	15
5	150	25	1500	-	7,5-8,0	15
6	225	25	2000	-	7,5-8,0	15
7	800	25	32000	-	7,5-8,0	8
8	70	25	500	2000	7,5-8,0	15
9	80	25	250	-	7,5-8,0	15

TW RO: Residential RO - **XLP:** Extra Low Pressure - **BW:** Brackish Water - **NF:** Nano Filtration - **TW NF:** Industrial NF - **LP:** Low Pressure - **SW:** Sea Water



CSM Membranes



Ref	Description	Fam.	Subfam.		Price Euro
MCRE1812-50	CSM 1.8" MEMBRANE RE1812-50	30	150		29,98
MCRE1812-60	CSM 1.8" MEMBRANE RE1812-60	30	150		31,27
MCRE1812-80	CSM 1.8" MEMBRANE RE1812-80	30	150		38,30
MCRE1812-HR+	CSM 1.8" MEMBRANE RE1812-HR+	30	150		46,99
MCRE2012-100	CSM 2" MEMBRANE RE2012-100	30	150		43,17
MCRE2012-150	CSM 2" MEMBRANE RE2012-150	30	150		57,88
MCRE2012-400	CSM 2" MEMBRANE RE2012-400	30	150		106,62
MCRE2012-LP	CSM 2" MEMBRANE RE2012-LP	30	150		55,98
MCRE2012-LPF	CSM 2" MEMBRANE RE2012-LPF	30	150		60,55
MCRE2812-300	CSM 2.8" MEMBRANE RE2812-300	30	155		136,32
MCRE3012-500	CSM 3" MEMBRANE RE3012-500	30	165		170,07
MCRE3512-TK	CSM 3.5" MEMBRANE RE3512-TK	30	155		172,49
MCNE1812	CSM 1.8" MEMBRANE NE1812	30	150		62,45
MCRE2514-TL	CSM 2.5" MEMBRANE RE2514-TL	30	160		199,14
MCRE2514-TLF	CSM 2.5" MEMBRANE RE2514-TLF	30	160		199,14
MCRE2521-BLN	CSM 2.5" MEMBRANE RE2521-BLN	30	160		194,96
MCRE2521-BLF	CSM 2.5" MEMBRANE RE2521-BLF	30	160		194,96
MCRE2540-BLN	CSM 2.5" MEMBRANE RE2540-BLN	30	160		279,11
MCRE2540-BLF	CSM 2.5" MEMBRANE RE2540-BLF	30	160		287,86
MCRE2540-BLR	CSM 2.5" MEMBRANE RE2540-BLR	30	160		287,86
MCRE4021-BLN	CSM 4" MEMBRANE RE4021-BLN	30	165		301,19
MCRE4021-BLF	CSM 4" MEMBRANE RE4021-BLF	30	165		301,19
MCRE4040-BLN	CSM 4" MEMBRANE RE4040-BLN	30	165		418,85
MCRE4040-BLF	CSM 4" MEMBRANE RE4040-BLF	30	165		418,85



CSM Membranes

Ref	Mod.	Permeate flow rate GPD (m ³ /d)	Rejection NaCl (%)	Effective area m2 (ft2)	Spacer (mil)	Test	NSF
MCRE1812-50	TW RO	50 (0,19)	98		X	6	58
MCRE1812-60	TW RO	60 (0,22)	98		X	6	58
MCRE1812-80	TW RO	80 (0,30)	98		X	6	58
MCRE1812-HR+	TW RO	80 (0,30)	99		X	6	58
MCRE2012-100	TW RO	100 (0,38)	98		X	6	58
MCRE2012-150	TW RO	150 (0,57)	98	0,59 (6,4)	X	6	58
MCRE2012-400	TW RO	400 (1,52)	96		X	6	58
MCRE2012-LP	TW RO	50 (0,19)	93		X	7	58
MCRE2012-LPF	TW RO	60 (0,22)	93		X	7	58
MCRE2812-300	TW RO	300 (1,14)	96		X	10	58
MCRE3012-500	TW RO	500 (1,90)	97		X	10	x
MCRE3512-TK	TW RO	600 (2,27)	95		X	9	58
MCNE1812	TW NF	80 (0,30)	40-60		X	8	x
MCRE2514-TL	LP	280 (1,06)	99,0	0,7 (7)	X	2	X
MCRE2514-TLF	LP	320 (1,20)	99,0	0,7 (7)	X	3	X
MCRE2521-BLN	LP	400 (1,50)	99,2	1,1 (12)	X	2	X
MCRE2521-BLF	LP	400 (1,50)	99,0	1,1 (12)	X	3	X
MCRE2540-BLN	LP	930 (3,50)	99,2	2,5 (27)	X	2	x
MCRE2540-BLF	LP	800 (3,04)	99,2	2,5 (27)	X	3	x
MCRE2540-BLR	LP	740 (2,80)	99,6	2,5 (27)	X	2	x
MCRE4021-BLN	LP	1200 (4,50)	99,2	3,3 (35)	X	2	x
MCRE4021-BLF	LP	1050 (3,88)	99,2	3,3 (35)	X	3	61
MCRE4040-BLN	LP	2600 (9,62)	99,2	7,9 (85)	X	2	61
MCRE4040-BLF	LP	2500 (9,25)	99,2	7,9 (85)	X	3	61



CSM Membranes

Ref	Description	Fam.	Subfam.		Price Euro
MCRE4040-BLR	CSM 4" MEMBRANE RE4040-BLR	30	165		418,85
MCRE8040-BLN	CSM 8" MEMBRANE RE8040-BLN	35	190		1389,80
MCRE8040-BLN440	CSM 8" MEMBRANE RE8040-BLN440	35	190		1450,72
MCRE8040-BLR	CSM 8" MEMBRANE RE8040-BLR	35	190		1405,03
MCRE8040-BLR440	CSM 8" MEMBRANE RE8040-BLR440	35	190		1450,72
MCRE8040-BLF	CSM 8" MEMBRANE RE8040-BLF	35	190		1405,03
MCRE8040-BLF440	CSM 8" MEMBRANE RE8040-BLF440	35	190		1450,72
MCRE2521-BE	CSM 2.5" MEMBRANE RE2521-BE	30	160		217,04
MCRE2540-BE	CSM 2.5" MEMBRANE RE2540-BE	30	160		296,62
MCRE4021-BE	CSM 4" MEMBRANE RE4021-BE	30	165		287,86
MCRE4040-BE	CSM 4" MEMBRANE RE4040-BE	30	165		418,85
MCRE8040-BE440	CSM 8" MEMBRANE RE8040-BE440	35	190		1427,87
MCRE8040-BE34	CSM 8" MEMBRANE RE8040-BE34	35	190		1428,68
MCRE2540-FEn	CSM 2.5" MEMBRANE RE2540-FEn	30	160		287,86
MCRE4040-FEn	CSM 4" MEMBRANE RE4040-FEn	30	165		468,35
MCRE4040-FLR	CSM 4" MEMBRANE RE4040-FLR	30	165		434,08
MCRE8040-FEn34	CSM 8" MEMBRANE RE8040-FEn34	35	190		1382,18
MCRE8040-FEn	CSM 8" MEMBRANE RE8040-FEn	35	190		1336,49
MCRE8040-FLR34	CSM 8" MEMBRANE RE8040-FLR	35	190		1492,60



CSM Membranes

Ref	Mod.	Permeate flow rate GPD (m ³ /d)	Rejection NaCl (%)	Effective area m2 (ft2)	Spacer (mil)	Test	NSF
MCRE4040-BLR	LP	2100 (7,70)	99,6	7,9 (85)	X	2	61
MCRE8040-BLN	LP	12000 (45,4)	99,5	45,4 (400)	x	2	61
MCRE8040-BLN440	LP	13000 (48,1)	99,5	40,9 (440)	x	2	61
MCRE8040-BLR	LP	10000 (37,9)	99,6	37,2 (400)	x	2	61
MCRE8040-BLR440	LP	11000 (41,6)	99,6	40,9 (440)	x	2	61
MCRE8040-BLF	LP	11500 (42,6)	99,2	37,2 (400)	x	3	61
MCRE8040-BLF440	LP	12650 (46,8)	99,2	40,9 (440)	x	3	61
MCRE2521-BE	BW	400 (1,52)	99,5	1,1 (12)	x	1	x
MCRE2540-BE	BW	1000 (3,80)	99,5	2,5 (27)	x	1	x
MCRE4021-BE	BW	1200 (3,80)	99,5	3,3 (35)	x	1	x
MCRE4040-BE	BW	2400 (8,88)	99,7	7,9 (85)	x	1	61
MCRE8040-BN	BW	9500 (35,1)	99,7	33,9 (365)	x	1	61
MCRE8040-BE440	BW	12000 (44,4)	99,7	40,9 (440)	x	1	61
MCRE8040-BE34	BW	11000 (41,6)	99,7	37,2 (400)	34	1	61
MCRE2540-FEn	FR	1000 (3,80)	99,5	2,5 (27)	x	1	x
MCRE4040-FEn	FR	2400 (8,88)	99,7	7,9 (85)	x	1	x
MCRE4040-FLR	FR	2100 (7,90)	99,6	7,9 (85)	x	1	x
MCRE8040-FEn34	FR	11000 (40,7)	99,7	37,2 (400)	34	1	61
MCRE8040-FEn	FR	11000 (40,7)	99,7	37,2 (400)	32	1	61
MCRE8040-FLR34	FR	10000 (37,0)	99,6	37,2 (400)	34	2	61



CSM Membranes

Ref	Description	Fam.	Subfam.		Price Euro
MCRE2540-SHF	CSM 2.5" MEMBRANE RE2540-SHF	30	160		349,93
MCRE2540-FHF	CSM 2.5" MEMBRANE RE2540-FHF	30	160		402,15
MCNE2540-90	CSM 2.5" MEMBRANE NE2540-90	30	160		424,94
MCNE4040-90	CSM 4" MEMBRANE NE4040-90	30	165		631,16
MCNE8040-90	CSM 8" MEMBRANE NE8040-90	35	190		1983,79

Ref	Mod.	Permeate flow rate GPD (m ³ /d)	Rejection NaCl (%)	Effective area m ² (ft ²)	Spacer (mil)	Test	NSF
MCRE2540-SHF	SW	560 (2,10)	99,70	2,2 (24)	x	4	x
MCRE2540-FHF	SW	1200 (4,50)	99,40	2,5 (27)	x	4	x
MCNE2540-90	NF	500 (1,90)	85-95	2,5 (27)	x	5	x
MCNE4040-90	NF	1700 (6,30)	85-97 90-97	7,9 (85)	x	5	61
MCNE8040-90	NF	8000 (29,6)	85-97 90-97	37,2 (400)	x	5	61

Test condition	Pressure (psi)	Temperature of solution NaCl (°C)	Concentration of NaCl solution (ppm)	Concentration of MgSO ₄ solution (ppm)	pH	Recovery rate (%)
1	225	25	2000	-	6,5-7,0	8 ± 15%
2	150	25	1500	-	6,5-7,0	8 ± 15%
3	100	25	500	-	6,5-7,0	8 ± 15%
4	800	25	32000	-	6,5-7,0	4 ± 8%
5	75	25	2000	500	6,5-7,0	15%
6	60	25	200	-	6,5-7,0	15%
7	20	25	100	-	6,5-7,0	15%
8	60	25	250	-	6,5-7,0	15%
9	60	25	200	-	6,5-7,0	30%
10	80	25	200	-	6,5-7,0	40%
11	150	25	2000	-	6,5-7,0	15%

TW RO: Residential RO - **LP:** Low Pressure - **BW:** Brackish Water - **SW:** Sea Water - **TW NF:** Industrial NF - **FR:** Fouling Resistant - **CR:** Chlorine Resistant - **NF:** Nano Filtration **Produttore:** CSM

Certificates	Manufacturer	Sectors
DM174-2004	CSM	Domestic, Commercial, Industrial



CSM Membranes Brine Seal and Interconnector

- Each membrane element supplied with one brine seal and one interconnector (excepted for 2,5" membrane element, supplied without interconnector).

Ref	Description	Fam.	Subfam.		Price Euro
DC005	EPDM BRINE SEAL 2.5" CSM	30	160		4,48
DD003	EPDM BRINE SEAL 4" CSM	30	165		8,25
EA798	EPDM BRINE SEAL 8" CSM	35	190		12,96

Ref	Description	Material	For Membranes
DC005	EPDM BRINE SEAL 2.5" CSM	EPDM	2,5"
DD003	EPDM BRINE SEAL 4" CSM	EPDM	4"
EA798	EPDM BRINE SEAL 8" CSM	EPDM	8"

Certificates	Manufacturer	Sectors
DM174-2004		Domestic, Industrial

Ref	Description	Fam.	Subfam.		Price Euro
DD004	ABS FEMALE INTERCONNECTOR CSM 2.5" & 4" WITH O-RING - WHITE COLOR	30	165		25,00
EA799	ABS MALE INTERCONNECTOR 1.125" CSM WITH O-RING -BW TYPE BLACK COLOR	35	190		33,42

Ref	Material	Color	For Membranes
DD004	ABS	White	2,5" - 4"
EA799	ABS	Black	8"

Certificates	Manufacturer	Sectors
DM174-2004		Domestic, Industrial



Vontron Membranes



Ref	Description	Fam.	Subfam.		Price Euro
MVULP1812-50	VONTRON 1.8" MEMBRANE ULP1812-50	30	152		14,89
MVULP1812-75	VONTRON 1.8" MEMBRANE ULP1812-75	30	152		16,90
MVULP2012-100	VONTRON 2" MEMBRANE ULP2012-100	30	152		22,31
MVULP2012-200	VONTRON 2" MEMBRANE ULP2012-200	30	152		54,88
MVULP2812	VONTRON 2.8" MEMBRANE ULP2812	30	157		47,15
MVULP3012	VONTRON 3" MEMBRANE ULP3012-300	30	157		55,00
MVULP3013-1000	VONTRON 3" MEMBRANE ULP3013-1000	30	157		117,60
MVXLP11-4040	VONTRON 4" MEMBRANE XLP11-4040	30	166		266,39
MVULP21-2540	VONTRON 2.5" MEMBRANE ULP21-2540	30	159		185,91
MVULP21-4021	VONTRON 4" MEMBRANE ULP21-4021	30	166		176,29
MVULP21-4040	VONTRON 4" MEMBRANE ULP21-4040	30	166		266,39
MVULP31-4040	VONTRON 4" MEMBRANE ULP31-4040	30	166		266,39
MVULP22-8040	VONTRON 8" MEMBRANE ULP22-8040	35	167		1057,73
MVULP32-8040	VONTRON 8" MEMBRANE ULP32-8040	35	167		1057,73
MVLP100	VONTRON 4" MEMBRANE LP100	30	166		313,40
MVLP21-4040	VONTRON 4" MEMBRANE LP21-4040	30	166		266,39
MVLP21-8040	VONTRON 8" MEMBRANE LP21-8040	35	167		1057,73
MVLP22-8040	VONTRON 8" MEMBRANE LP22-8040	35	167		1057,73
MVSW11-2521	VONTRON 2.5" MEMBRANE SW11-2521	30	159		321,24
MVSW11-4021	VONTRON 4" MEMBRANE SW11-4021	30	166		391,75
MVSW4040HR	VONTRON 4" MEMBRANE SW4040HR	30	166		549,98
MVSW4040LE	VONTRON 4" MEMBRANE SW4040LE	30	166		549,98



Vontron Membranes

Ref	Mod.	Permeate flow rate GPD (m ³ /d)	Rejection NaCl rate (%)	Effective area m2 (ft2)	Spacer (mil)	Test	NSF
MVULP1812-50	TW RO	50 (0,19)	97,5	X X	X	1	58
MVULP1812-75	TW RO	75 (0,28)	97,5	X X	X	1	58
MVULP2012-100	TW RO	100 (0,38)	94,0	X X	X	1	58
MVULP2012-200	TW RO	200 (0,76)	92,0	X X	X	12	
MVULP2812	TW RO	200 (0,76)	97,0	X X	X	3	58
MVULP3012	TW RO	300 (1,14)	97,0	X X	X	3	58
MVULP3013-1000	TW RO	1000 (3,8)	90,0	X X	X	12	
MVXLP11-4040	XLP RO	2.000 (7,6)	98,0	8,4 (90)	X	3	61
MVULP21-2540	LP	750 (2,84)	99,0	2,8 (30)	X	4	61
MVULP21-4021	LP	950 (3,6)	99,0	3,3 (36)	X	4	61
MVULP21-4040	LP	2.400 (9,1)	99,0	8,4 (90)	X	5	61
MVULP31-4040	LP	1.900 (7,2)	99,4	8,4 (90)	X	5	61
MVULP22-8040	LP	12.100 (45,7)	99,0	37,2 (400)	X	5	61
MVULP32-8040	LP	10.500 (39,7)	99,5	37,2 (400)	X	5	61
MVULP440	LP	12.000 (45,4)	99,5	40,9 (440)	X	6	61
MVLP100	LP	2.500 (9,5)	99,7	9,3 (100)	X	7	61
MVLP21-4040	LP	2.400 (9,1)	99,5	8,4 (90)	X	7	61
MVLP21-8040	LP	9.600 (36,3)	99,5	33,9 (365)	X	7	61
MVLP22-8040	LP	10.500 (39,7)	99,5	37,2 (400)	X	7	61
MVSW11-2521	SW	270 (1,0)	99,5	1,1 (12)	x	9	61
MVSW11-4021	SW	750 (2,8)	99,5	3,1 (33)	x	9	61
MVSW4040HR	SW	1.600 (6,1)	99,8	8,4 (90)	x	10	61
MVSW4040LE	SW	1.900 (7,2)	99,7	8,4 (90)	x	10	61



Vontron Membranes

Test Condition	Pressure (psi)	Temperature of solution NaCl (°C)	Concentration of NaCl Solution (ppm)	Concentration of MgSO4 solution (ppm)	pH	Recovery rate (%)
1	60	25	250	-	6,5-8,5	15
2	60	25	250	CaCl2 250	6,5-8,5	15
3	100	25	500	-	7,5	15
4	150	25	1500	-	7,5	8
5	150	25	1500	-	7,5	15
6	150	25	500	-	7,5	15
7	225	25	2000	-	7,5	15
8	150	25	2000	-	7,5	15
9	800	25	32000	-	7,5	4
10	800	25	32000	-	7,5	8
11	100	25	2000	MgSO4 2000	7,5	15
12	100	25	50	-	7,5	50

TW RO: Residential RO - **XLP RO:** Extra Low Pressure - **BW:** Brackish Water - **SW:** Sea Water - **TW NF:** Industrial NF - **LP:** Low Pressure - **FR:** Sea Water - **NF:** Nano Filtration

Certificates	Manufacturer	Sectors
DM174-2004	Vontron	Domestic, Commercial, Industrial



Antiscaling for R. O. Membranes Permascale Eut 110



- PERMASCALE EUT110 is a product that prevents scales and iron sediment on R.O. membranes systems;
- For industrial systems and for potable water treatment systems;
- Very effective on various kinds of water, minimize the fouling and reduce the frequency of membranes cleaning;
- Particularly suitable for big plants with permeate flows higher than 100 m3/day;
- Compatible with all kinds of membranes;
- Replace totally or partially the acidification;
- Easy to use due to the liquid form.

Use

- Injection by dosing pump of pure or diluted product.
- The dosage is according to the concentration of scaling salts and iron, and can vary from 2 to 10 cm3/m3 of feed water

Instructions and Packaging

- Handling: following safety data sheet. Take the normal precautions to handle chemical products.
- Packaging: 20 kg drum.
- Storage: closed on the original packaging, sheltered from cold and heat.

Characteristics:	
Formulation	special phosphonated
pH	7,8 ± 0,5
Appearance	light yellow liquid
Density a 20°C	1,30 ± 0,05 g/ml
Checking	phosphonated value
Solubility in water	complete

Ref	Description	Fam.	Subfam.	Price Euro/Kg
EA100	MWG PERMASCALE EUT 110 - DRUM 20 KG	35	191	13,77

Certificates	Manufacturer	Sectors
	MWG	Commercial, Industrial



Antiscaling for R.O. Membranes Permascale EUT 120



- PERMASCALE EUT120 is a product that prevents scales and iron sediment on R.O. membranes systems;
- Very effective on various kinds of water, minimize the fouling and reduce the frequency of membranes cleaning;
- Particularly suitable for plants with permeate flows lower than 100 m3/day;
- Compatible with all kinds of membranes;
- Replace totally or partially the acidification;
- Easy to use due to the liquid form.

Use

- Injection by dosing pump of pure or diluted product:
- The dosage is according to the concentration of scaling salts and iron, and can vary from 3 to 13 cm3/m3 of feed water.

Instructions and packaging

- Handling: following safety data sheet. Take the normal precautions to handle chemical products.
- Packaging: 20 kg drum.
- Storage: closed on the original packaging, sheltered from cold and heat.

Characteristics	
Formulation	special phosphonated
pH	7,5 ± 0,5
Appearance	light yellow liquid
Density a 20°C	1,30 ± 0,02 g/ml
Checking	phosphonated value
Solubility in water	complete

Ref	Description	Fam.	Subfam.		Price Euro/Kg
EA101	MWG PERMASCALE EUT 120 - DRUM 20 KG	35	191		12,81

Box: WxLxH	Box: Q.ty	Box: Weight	Pallet: WxLxH	Pallet: Q.ty	Pallet: Weight

Certificates	Manufacturer	Sectors
	MWG	Commercial, Industrial

Vessels and accessories, rotary pumps MWG





Vessel for Residential Elements

1,8" - 2"

- material PP white; connections 1/8" NPT F; max pressure 125 psi (8,6 bar);
- double o-ring; permeate tube seat diameter = 0,67"; nominal dimension 1812 - 2012.

Membranes coupling: CSM 1,8" - 2" residential membranes,

Ref	Description	Fam.	Subfam.		Price Euro
DE010	MEMBRANE VESSEL 1812 IN P.P.	30	175		16,80

Box: WxLxH	Box: Q.ty	Box: Weight	Pallet: WxLxH	Pallet: Q.ty	Pallet: Weight

Certificates	Manufacturer	Sectors
DM174-2004		Domestic



Single mounting clips for vessel residential 1,8" - 2" membranes

- material PP; white colour.

Ref	Description	Fam.	Subfam.		Price Euro
DE034	MWG SINGLE CLIP 2.5"	30	175		0,38

Certificates	Manufacturer	Sectors
	MWG	Domestic



2,8" - 3"

- material PP white; connections: feed, permeate and concentrate 1/8" NPT F (please, use our fittings ref. AV153 or elbows ref. AV159);
- max pressure 125 psi (8,6 bar); permeate tube seat diameter = 0,67"; nominal dimension 2812 - 3012.

Membranes coupling: CSM 2,8" residential membranes.

Ref	Description	Fam.	Subfam.		Price Euro
DE007	MEMBRANE VESSEL 3012 IN P.P.	30	175		44,16

Box: WxLxH	Box: Q.ty	Box: Weight	Pallet: WxLxH	Pallet: Q.ty	Pallet: Weight

Certificates	Manufacturer	Sectors
DM174-2004		Domestic



Single mounting clips for vessel residential 3" membranes

- material PP; white colour.

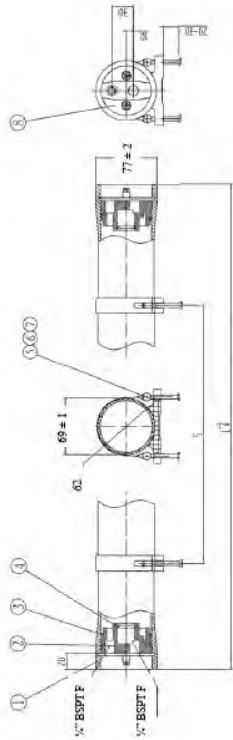
Ref	Description	Fam.	Subfam.		Price Euro
DE006	MWG SINGLE CLIP 3"	30	175		1,58

Certificates	Manufacturer	Sectors
	MWG	Domestic





2 1/2" Membrane Vessels End Port Series 300 E-2.5



- Fiberglass reinforced plastic pressure vessels series 300 E-2.5, D.75" direct connection, white painted, UVA-ray proof material;
- End-cap in ABS;
- Max operating pressure 300 psi (21 bar);
- European 2014/68/EU Directive compliant for pressure equipment (PED);
- Built in accordance with ASME code section X;
- Each vessel is factory tested at 1,5 times max operating pressure;
- Connections: feed/concentrate 1/4" BSPT F, permeate 1/4" BSPT F;
- Operating pH Range: 3 ÷ 11 Cleaning pH Range: 2 ÷ 12 (less than 30 minutes);
- Straps and saddles included.

Ref	Description	Fam.	Subfam.	Price Euro
H2E1BQ	MWG RO VESSEL FRP 2,5" END-PORT 300 PSI 2514 1/4"BSPT F - 1/4" BSPT F	30	180	133,44
H2E1BV	MWG RO VESSEL FRP 2,5" END-PORT 300 PSI 2521 1/4"BSPT F - 1/4" BSPT F	30	180	147,74
H2E1B1	MWG RO VESSEL FRP 2,5" END-PORT 300 PSI 2540 1/4"BSPT F - 1/4" BSPT F	30	180	173,80

Ref	Elements	L (mm)	S (mm)
H2E1BQ	1 x 14"	427	200
H2E1BV	1 x 21"	605	400
H2E1B1	1 x 40"	1088	700

Ref	Box: WxLxH.	Box: Qnt.	Box: Weight.	Pallet: WxLxH.	Pallet: Qnt.	Pallet: Weight.
H2E1BQ						
H2E1BV						
H2E1B1						

Certificates	Manufacturer	Sectors
DM174-2004 CE	MWG	Commercial

Spare parts

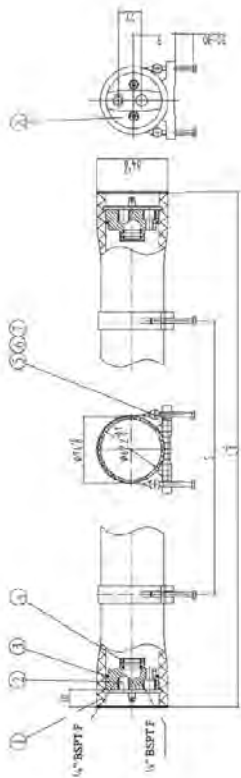
Ref	Description	Fam.	Subfam.	Price Euro
H2R011	MWG 2,5" MPV END PLATE IN ABS F/C/P 1/4" BSPT FOR300 PSI	30	180	24,60
H2R103	MWG 2,5" MPV HEAD SEAL IN EPDM FOR 300÷1000 PSI	30	180	4,56
H2R101	MWG 2,5" & 4" MPV ADAPTER SEAL IN EPDM FOR 300÷1200 PSI	30	180	1,11
H2R001	MWG 2.5" MPV SADDLE FOR 300-1000 PSI	30	180	3,17
H2R003	MWG 2.5" MPV STRAP FOR 300 PSI L=160 MM	30	180	19,67
H2R041	MWG 2,5" MPV SEEGER IN AISI 316 FOR 300-1000 PSI	30	180	10,10

Spare parts

Item	Ref	Q.ty for each MPV	Material	Note
2 + 4	H2R011	2	ABS	
3	H2R103	2	EPDM	56 x 3,55
4	H2R101	2	EPDM	19 x 2,65
5	H2R001	2	Rubber	
7 + 6	H2R003	2	AISI 304 - Rubber	
8	H2R041	4	AISI 304	



2 1/2" Membrane Vessels End Port Series 1000 E-2.5



- Fiberglass reinforced plastic pressure vessels series 1000 E-2.5, D.75" direct connection, white painted, UVA-ray proof material;
- End-cap in super duplex steel AISI 2507;
- Max operating pressure 1000 psi (69 bar);
- European 2014/68/EU Directive compliant for pressure equipment (PED);
- Built in accordance with ASME code section X;
- Each vessel is factory tested at 1,5 times max operating pressure;
- Connections: feed/concentrate 1/4" BSPT F, permeate 1/4" BSPT F;
- Operating pH Range: 3 ÷ 11 Cleaning pH Range: 2 ÷ 12 (less than 30 minutes);
- Straps and saddles included.

Ref	Description	Fam.	Subfam.		Price Euro
H2E1GV	MWG RO VESSEL FRP 2,5" END-PORT 1000 PSI 2521 1/4"BSPT F - 1/4" BSPT F	30	180		568,53
H2E1G1	MWG RO VESSEL FRP 2,5" END-PORT 1000 PSI 2540 1/4"BSPT F - 1/4" BSPT F	30	180		591,88

Ref	Elements	L (mm)	S (mm)
H2E1GV	1 x 21"	629	400
H2E1G1	1 x 40"	1112	700

Ref	Box: WxLxH.	Box: Qnt.	Box: Weight.	Pallet: WxLxH.	Pallet: Qnt.	Pallet: Weight.
H2E1GV						
H2E1G1						

Certificates	Manufacturer	Sectors
DM174-2004 CE	MWG	Commercial

Spare parts

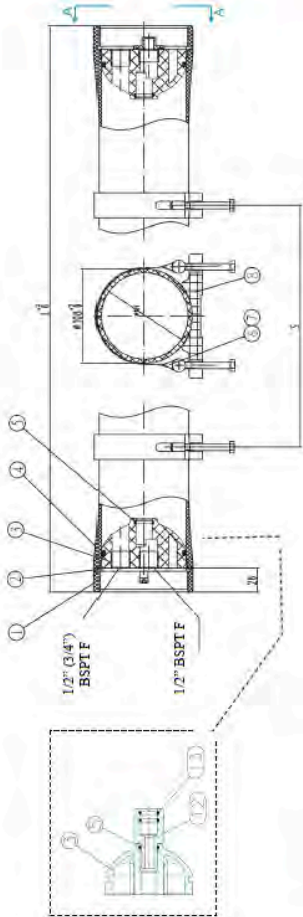
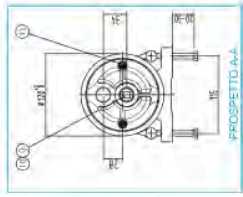
Ref	Description	Fam.	Subfam.		Price Euro
H2R013	MWG 2,5" MPV END PLATE IN AISI 2507SST F/C/P 1/4"BSPT FOR 1000 PSI	30	180		198,34
H2R103	MWG 2,5" MPV HEAD SEAL IN EPDM FOR 300÷1000 PSI	30	180		4,56
H2R101	MWG 2,5" & 4" MPV ADAPTER SEAL IN EPDM FOR 300÷1200 PSI	30	180		1,11
H2R001	MWG 2.5" MPV SADDLE FOR 300-1000 PSI	30	180		3,17
H2R041	MWG 2,5" MPV SEEGER IN AISI 316 FOR 300-1000 PSI	30	180		10,10

Spare parts

Item	Ref	Q.ty for each MPV	Material	Note
2 + 4	H2R013	2	Super Duplex Steel AISI 2507	
3	H2R103	2	EPDM	56 x 3,55
4	H2R101	4	EPDM	19 x 2,65
5	H2R001	2	Rubber	
8	H2R041	4	AISI 304	



4" Membrane Vessels End Port Series 300 E-4



- Fiberglass reinforced plastic pressure vessels series 300 E-4, D.75" direct connection, white painted, UVA-ray proof material;
- End-cap in ABS;
- Max operating pressure 300 psi (21 bar);
- European 2014/68/EU Directive compliant for pressure equipment (PED);
- Built in accordance with ASME code section X;
- Each vessel is factory tested at 1,5 times max operating pressure;
- Permeate connections 1/2" BSPT F;
- Feed connections 1/2" BSPT F or 3/4" BSPT F;
- Operating pH Range: 3 ÷ 11 Cleaning pH Range: 2 ÷ 12 (less than 30 minutes);
- Straps and saddles included (n.2 pcs).

Ref	Description	Fam.	Subfam.		Price Euro
H4E2BV	MWG RO VESSEL FRP 4" END-PORT 300 PSI 4021 1/2" BSPT F - 1/2" BSPT F	30	180		198,44
H4E3BV	MWG RO VESSEL FRP 4" END-PORT 300 PSI 4021 3/4" BSPT F - 1/2" BSPT F	30	180		198,44
H4E2B1	MWG RO VESSEL FRP 4" END-PORT 300 PSI 4040 1/2" BSPT F - 1/2" BSPT F	30	180		204,65
H4E3B1	MWG RO VESSEL FRP 4" END-PORT 300 PSI 4040 3/4" BSPT F - 1/2" BSPT F	30	180		204,65
H4E2B2	MWG RO VESSEL FRP 4" END-PORT 300 PSI 2EL 1/2" BSPT F - 1/2" BSPT F	30	180		282,20
H4E3B2	MWG RO VESSEL FRP 4" END-PORT 300 PSI 2EL 3/4" BSPT F - 1/2" BSPT F	30	180		282,20
H4E2B3	MWG RO VESSEL FRP 4" END-PORT 300 PSI 3EL 1/2" BSPT F - 1/2" BSPT F	30	180		362,52
H4E3B3	MWG RO VESSEL FRP 4" END-PORT 300 PSI 3EL 3/4" BSPT F - 1/2" BSPT F	30	180		362,52

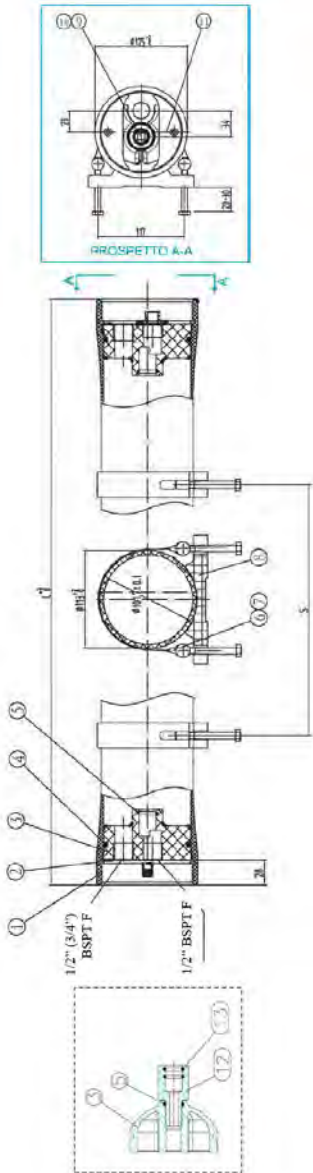
Ref	Elements	L (mm)	S (mm)
H4E2BV	1 x 21"	658	400
H4E3BV	1 x 21"	658	400
H4E2B1	1 x 40"	1140	600
H4E3B1	1 x 40"	1140	600
H4E2B2	2 x 40"	2156	1200
H4E3B2	2 x 40"	2156	1200
H4E2B3	3 x 40"	3172	2200
H4E3B3	3 x 40"	3172	2200

Certificates	Manufacturer	Sectors
DM174-2004 CE	MWG	Industrial



4" Membrane Vessels End Port Series 450 E-4

- Fiberglass reinforced plastic pressure vessels series 450 E-4, D.75" direct connection, white painted, UVA-ray proof material;
- End-cap in ABS;
- Max operating pressure 450 psi (31 bar);
- European 2014/68/EU Directive compliant for pressure equipment (PED);
- Built in accordance with ASME code section X;
- Each vessel is factory tested at 1,5 times max operating pressure;
- Permeate connections 1/2" BSPT F;
- Operating pH Range: 3 ÷ 11 Cleaning pH Range: 2 ÷ 12 (less than 30 minutes);
- Straps and saddles included (n.2 pcs).



Ref	Description	Fam.	Subfam.	Price Euro
H4E2C1	MWG RO VESSEL FRP 4" END-PORT 450 PSI 4040 1/2" BSPT F - 1/2" BSPT F	30	180	322,14
H4E3C1	MWG RO VESSEL FRP 4" END-PORT 450 PSI 4040 3/4" BSPT F - 1/2" BSPT F	30	180	322,14
H4E2C2	MWG RO VESSEL FRP 4" END-PORT 450 PSI 2EL 1/2" BSPT F - 1/2" BSPT F	30	180	463,46
H4E3C2	MWG RO VESSEL FRP 4" END-PORT 450 PSI 2EL 3/4" BSPT F - 1/2" BSPT F	30	180	463,46
H4E2C3	MWG RO VESSEL FRP 4" END-PORT 450 PSI 3EL 1/2" BSPT F - 1/2" BSPT F	30	180	582,17
H4E3C3	MWG RO VESSEL FRP 4" END-PORT 450 PSI 3EL 3/4" BSPT F - 1/2" BSPT F	30	180	582,17

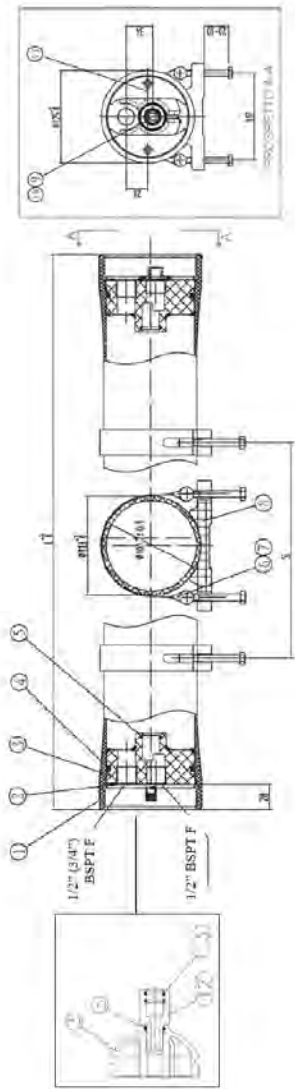
Ref	Elements	L (mm)	S (mm)
H4E2C1	1 x 40"	1152	600
H4E3C1	1 x 40"	1152	600
H4E2C2	2 x 40"	2168	1200
H4E3C2	2 x 40"	2168	1200
H4E2C3	3 x 40"	3184	2200
H4E3C3	3 x 40"	3184	2200

Certificates	Manufacturer	Sectors
DM174-2004 CE	MWG	Industrial



4" End Port Serie 300/450 PSI Vessels Spare Parts

Spare parts

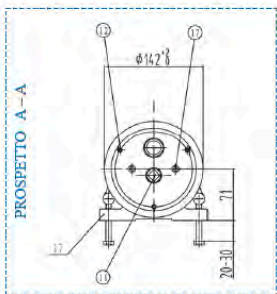
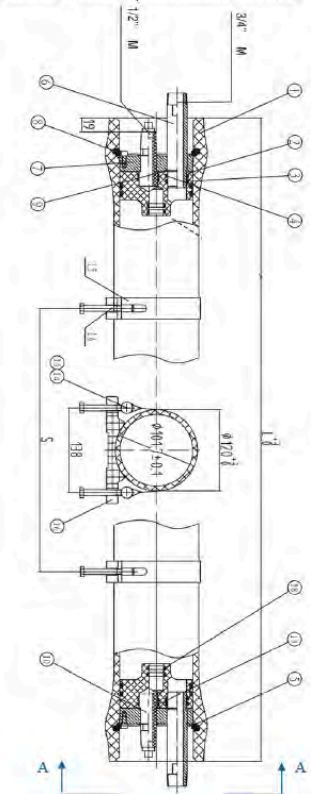
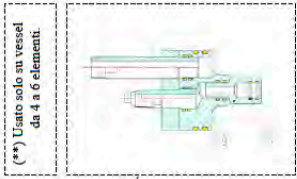


Ref	Description	Fam.	Subfam.		Price Euro
H4R041	MWG 4" MPV SEEGER IN AISI 304 FOR 300-450 PSI	30	180		7,34
H4R401	MWG 4" MPV END PLATE ABS- PP 1/2" BSPT + FCP 1/2"BSPT END PORT 300-450PSI	30	180		32,68
H4R403	MWG 4" MPV END PLATE ABS- PP 1/2" BSPT + FCP 3/4"BSPT END PORT 300-450PSI	30	180		32,68
H4R107	MWG 4" MPV HEAD SEAL IN EPDM FOR 300÷1200 PSI	30	180		7,08
H2R101	MWG 2,5" & 4" MPV ADAPTER SEAL IN EPDM FOR 300÷1200 PSI	30	180		1,11
H4R003	MWG 4" MPV STRAP FOR 300-450 PSI L=265 MM	30	180		22,40
H4R001	MWG 4" MPV SADDLE FOR 300-1200 PSI	30	180		3,17
H4R081	MWG 4" MPV PLUG IN ABS FOR 300-450 PSI	30	180		2,52
H4R101	MWG 4" MPV O-RING IN EPDM OF PLUG 300-450 PSI	30	180		1,93
H4R209	MWG 4" MPV SEEGER SCREW M6x14 IN AISI 304	30	180		1,50
H4R601	MWG 4" MPV ADAPTER IN ABS FOR END/SIDE P 300-450 PSI + 600-1000-1200 END P	30	180		18,03
H2R101	MWG 2,5" & 4" MPV ADAPTER SEAL IN EPDM FOR 300÷1200 PSI	30	180		1,11

Item	Ref	Q.ty for each MPV	Material	Note
2	H4R041	4	AISI 304	
3 + 5	H4R401	2	ABS	1/2" 1/2"
3 + 5	H4R403	2	ABS	3/4" 1/2"
4	H4R107	2	EPDM	90 x 5,3
5	H2R101	2	EPDM	19 x 2,65
6 + 7	H4R003	2-3	AISI 304 - Rubber	
8	H4R001	2-3	Rubber	
9	H4R081	1	ABS	
10	H4R101	1	EPDM	23,6 x 3,55
11	H4R209	4	AISI 304	M6 x 14
12 + 13	H4R601	2	ABS	
13	H2R101	4	EPDM	19 x 2,65



4" Membrane Vessels End Port Series 1000 E-4



- Fiberglass reinforced plastic pressure vessels series 1000 E-4, complete with 0,75" adapters, white painted, UVA-ray proof material;
- Max operating pressure 1000 psi (69 bar);
- European 2014/68/EU Directive compliant for pressure equipment (PED);
- Built in accordance with ASME code section X;
- Each vessel is factory tested at 1,5 times max operating pressure;
- Feed/concentrate connections 3/4" BSPT M, in super duplex steel AISI 2507;
- Permeate connections 1/2" BSPT M;
- Operating pH Range: 3 ÷ 11 Cleaning pH Range: 2 ÷ 12 (less than 30 minutes);
- Straps and saddles included (n.2 pcs).

Ref	Description	Fam.	Subfam.	Price Euro
H4E4G1	MWG RO VESSEL FRP 4" END-PORT 1000 PSI 4040 3/4" BSPT M - 1/2" BSPT M	30	180	1016,97
H4E4G2	MWG RO VESSEL FRP 4" END-PORT 1000 PSI 2EL 3/4" BSPT M - 1/2" BSPT M	30	180	1248,09

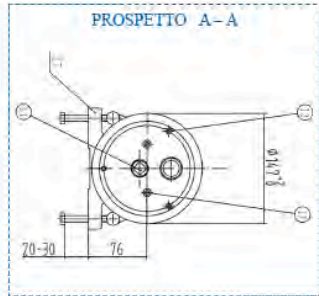
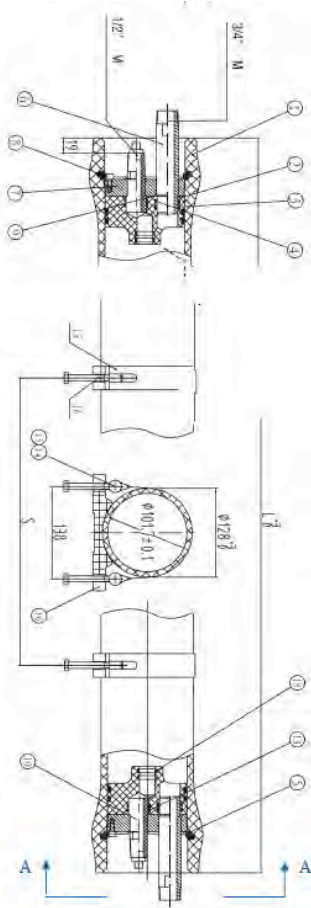
Ref	Elements	L (mm)	S (mm)
H4E4G1	1 x 40"	1244	600
H4E4G2	2 x 40"	2260	1200

Ref	Box: WxLxH.	Box: Qnt.	Box: Weight.	Pallet: WxLxH.	Pallet: Qnt.	Pallet: Weight.
H4E4G1						
H4E4G2						

Certificates	Manufacturer	Sectors
DM174-2004 CE	MWG	Industrial



4" Membrane Vessels End Port Series 1200 E-4



- Fiberglass reinforced plastic pressure vessels series 1200 E-4, complete with 0,75" adapters, white painted, UVA-ray proof material;
- Max operating pressure 1200 psi (83 bar);
- European 2014/68/EU Directive compliant for pressure equipment (PED);
- Built in accordance with ASME code section X;
- Each vessel is factory tested at 1,5 times max operating pressure;
- Feed/concentrate connections 3/4" BSPT M, in super duplex steel AISI 2507;
- Permeate connections 1/2" BSPT M;
- Operating pH Range: 3 ÷ 11 Cleaning pH Range: 2 ÷ 12 (less than 30 minutes);
- Straps and saddles included (n.2 pcs).

Ref	Description	Fam.	Subfam.		Price Euro
H4E4H1	MWG RO VESSEL FRP 4" END-PORT 1200 PSI 4040 3/4" BSPT M - 1/2" BSPT M	30	180		1132,77
H4E4H2	MWG RO VESSEL FRP 4" END-PORT 1200 PSI 2EL 3/4" BSPT M - 1/2" BSPT M	30	180		1363,89
H4E4H3	MWG RO VESSEL FRP 4" END-PORT 1200 PSI 3EL 3/4" BSPT M - 1/2" BSPT M	30	180		1617,90

Ref	Elements	L (mm)	S (mm)
H4E4H1	1 x 40"	1244	600
H4E4H2	2 x 40"	2260	1200
H4E4H3	3 x 40"	3276	2200

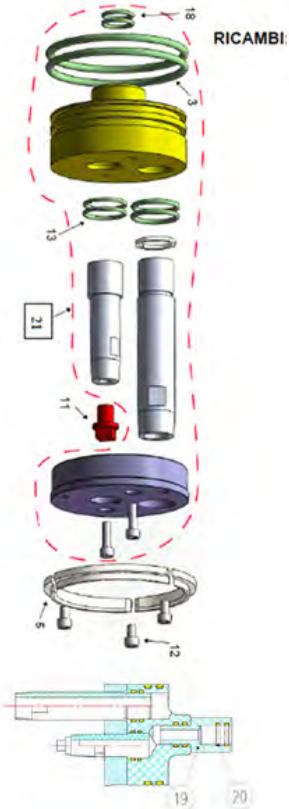
Ref	Box: WxLxH.	Box: Qnt.	Box: Weight.	Pallet: WxLxH.	Pallet: Qnt.	Pallet: Weight.
H4E4H1						
H4E4H2						
H4E4H3						

Certificates	Manufacturer	Sectors
DM174-2004 CE	MWG	Industrial



4" End Port Serie 600/1000/1200 psi Vessel spare parts

Spare parts



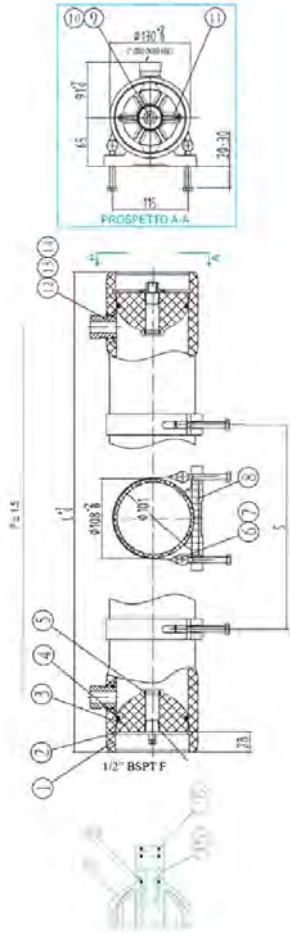
Ref	Description	Fam.	Subfam.		Price Euro
H4R107	MWG 4" MPV HEAD SEAL IN EPDM FOR 300÷1200 PSI	30	180		7,08
H4R045	MWG 4" MPV LOCKING KIT SEGMENT (3PCS) IN AISI 316FOR 600-1200 PSI	30	180		97,69
H4R083	MWG 4" MPV PLUG IN ABS FOR 600-1200 PSI	30	180		2,93
H4R205	MWG 4" MPV SECURING SCREW IN ISI 304 FOR 600-1200PSI	30	180		1,45
H4R111	MWG 4" MPV PERMEATE PORT O-RING IN EPDM	30	180		1,68
H4R005	MWG 4" MPV STRAP FOR 600-1000 PSI L=280 MM	30	180		24,60
H4R001	MWG 4" MPV SADDLE FOR 300-1200 PSI	30	180		3,17
H2R101	MWG 2,5" & 4" MPV ADAPTER SEAL IN EPDM FOR 300÷1200 PSI	30	180		1,11
H4R601	MWG 4" MPV ADAPTER IN ABS FOR END/SIDE P 300-450 PSI + 600-1000-1200 END P	30	180		18,03
H2R101	MWG 2,5" & 4" MPV ADAPTER SEAL IN EPDM FOR 300÷1200 PSI	30	180		1,11
H4R707	MWG 4" MPV HEAD ASSEMBLY END PORT 600-1000-1200 PSI	30	180		347,27

Item	Ref	Q.ty for each MPV	Material	Note
3	H4R107	4	EPDM	90 x 5,3
5	H4R045	2	AISI 316	
11	H4R083	1	ABS	
12	H4R205	6	AISI 304	M6 x 20
13	H4R111	4	EPDM	25 x 2,65
14 + 15	H4R005	2-3	AISI 304 - Rubber	
16	H4R001	2-3	Rubber	
18	H2R101	4	EPDM	19 x 2,65
19 + 20	H4R601	2	ABS	
20	H2R101	4	EPDM	19 x 2,65
21	H4R707	2		



4" Membrane Vessels Side Port Series 300 S-4

Spare parts



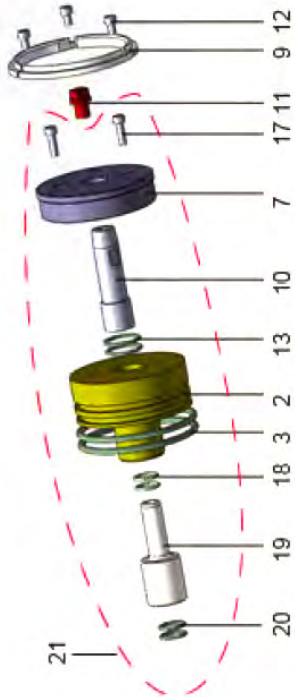
Ref	Description	Fam.	Subfam.		Price Euro
H4R041	MWG 4" MPV SEEGER IN AISI 304 FOR 300-450 PSI	30	180		7,34
H4R107	MWG 4" MPV HEAD SEAL IN EPDM FOR 300+1200 PSI	30	180		7,08
H2R101	MWG 2,5" & 4" MPV ADAPTER SEAL IN EPDM FOR 300+1200 PSI	30	180		1,11
H4R003	MWG 4" MPV STRAP FOR 300-450 PSI L=265 MM	30	180		22,40
H4R001	MWG 4" MPV SADDLE FOR 300-1200 PSI	30	180		3,17
H4R081	MWG 4" MPV PLUG IN ABS FOR 300-450 PSI	30	180		2,52
H4R101	MWG 4" MPV O-RING IN EPDM OF PLUG 300-450 PSI	30	180		1,93
H4R209	MWG 4" MPV SEEGER SCREW M6x14 IN AISI 304	30	180		1,50
H4R601	MWG 4" MPV ADAPTER IN ABS FOR END/SIDE P 300-450 PSI + 600-1000-1200 END P	30	180		18,03
H2R101	MWG 2,5" & 4" MPV ADAPTER SEAL IN EPDM FOR 300+1200 PSI	30	180		1,11

Item	Ref	Q.ty for each MPV	Material	Note
2	H4R041	4	AISI 31	
4	H4R107	2	EPDM	90 x 5,3
5	H2R101	2	EPDM	19 x 2,65
6 + 7	H4R003	2-3	AISI 304 - Rubber	
8	H4R001	2-3	Rubber	
9	H4R081	1	ABS	
10	H4R101	1	EPDM	23,6 x 3,55
11	H4R209	4	AISI 304	M6 x 14
15 + 16	H4R601	2	ABS	
16	H2R101	4	EPDM	19 x 2,65



4" Side Port 600-1000-1200 Psi Vessel spare parts

Spare parts

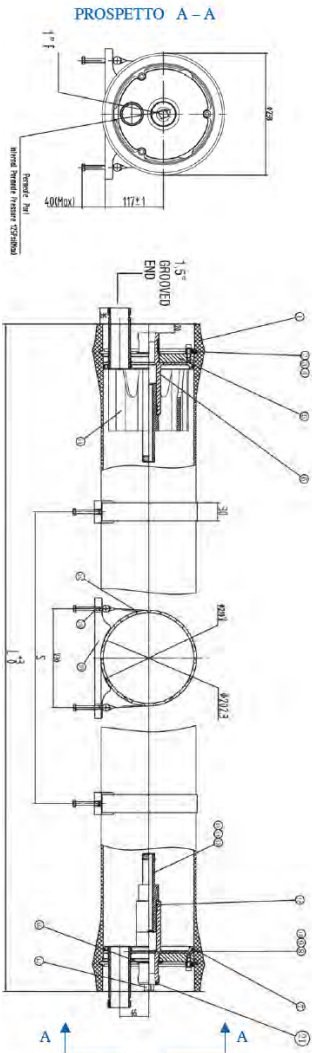


Ref	Description	Fam.	Subfam.		Price Euro
H4R107	MWG 4" MPV HEAD SEAL IN EPDM FOR 300÷1200 PSI	30	180		7,08
H4R045	MWG 4" MPV LOCKING KIT SEGMENT (3PCS) IN AISI 316FOR 600-1200 PSI	30	180		97,69
H4R083	MWG 4" MPV PLUG IN ABS FOR 600-1200 PSI	30	180		2,93
H4R205	MWG 4" MPV SECURING SCREW IN ISI 304 FOR 600-1200PSI	30	180		1,45
H4R111	MWG 4" MPV PERMEATE PORT O-RING IN EPDM	30	180		1,68
H4R005	MWG 4" MPV STRAP FOR 600-1000 PSI L=280 MM	30	180		24,60
H4R001	MWG 4" MPV SADDLE FOR 300-1200 PSI	30	180		3,17
H4R113	MWG 4" MPV O-RING OF SEALING PLATE	30	180		1,90
H4R603	MWG 4" MPV ADAPTER IN ABS FOR SIDE PORT 600-1000-1200 PSI	30	180		24,49
H2R101	MWG 2,5" & 4" MPV ADAPTER SEAL IN EPDM FOR 300÷1200 PSI	30	180		1,11
H4R717	4" MPV HEAD ASSEMBLY SIDE PORT 600-1000-1200 PSI	30	180		277,86

Item	Ref	Q.ty for each MPV	Material	Note
3	H4R107	4	EPDM	90 x 5,3
9	H4R045	2	AISI 316	
11	H4R083	1	ABS	
12	H4R205	6	AISI 304	M6 x 20
13	H4R111	4	EPDM	25 x 2,65
Not shown	H4R005	2 - 3	AISI 304 - Rubber	
Not shown	H4R001	2 - 3	Rubber	
18	H4R113	4	EPDM	17 x 2,65
19 + 20	H4R603	2	ABS	
20	H2R101	4	EPDM	19 x 2,65
21	H4R717	2		



8" Membrane Vessels End Port Series 300 E-8



- Fiberglass reinforced plastic pressure vessels series 300 E-8, white painted, UVA-ray proof material;
- Max operating pressure 300 psi (21 bar);
- European 2014/68/EU Directive compliant for pressure equipment (PED);
- Built in accordance with ASME code section X;
- Each vessel is factory tested at 1,5 times max operating pressure;
- Feed/concentrate connections 1 ½" Victaulic in AISI 316;
- Permeate connections 1" BSPT F;
- Straps and saddles included (n.2 pcs from 1 to 3 elements, n.3 pcs from 4 to 6 elements);
- Operating pH Range: 3 ÷ 11 Cleaning pH Range: 2 ÷ 12 (less than 30 minutes);
- 1,125" membrane adapters included.

Ref	Description	Fam.	Subfam.		Price Euro
H8E5B1	MWG RO VESSEL FRP 8" END-PORT 300 PSI 1EL 1,5" VICT. - 1" BSPT F	35	180		1150,96
H8E5B2	MWG RO VESSEL FRP 8" END-PORT 300 PSI 2EL 1,5" VICT. - 1" BSPT F	35	180		1248,57
H8E5B3	MWG RO VESSEL FRP 8" END-PORT 300 PSI 3EL 1,5" VICT. - 1" BSPT F	35	180		1396,30
H8E5B4	MWG RO VESSEL FRP 8" END-PORT 300 PSI 4EL 1,5" VICT. - 1" BSPT F	35	180		1542,13
H8E5B5	MWG RO VESSEL FRP 8" END-PORT 300 PSI 5EL 1,5" VICT. - 1" BSPT F	35	180		1665,55
H8E5B6	MWG RO VESSEL FRP 8" END-PORT 300 PSI 6EL 1,5" VICT. - 1" BSPT F	35	180		1811,85

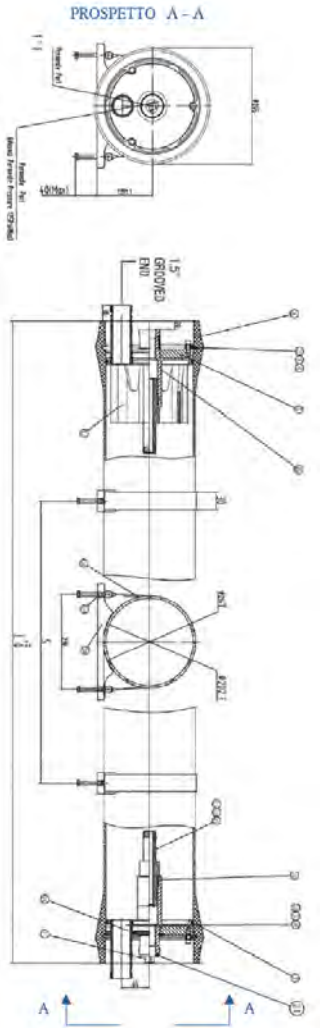
Ref	Elements	L (mm)	S (mm)
H8E5B1	1 x 40"	1498	700
H8E5B2	2 x 40"	2514	1460
H8E5B3	3 x 40"	3530	2080
H8E5B4	4 x 40"	4546	1600 x 2
H8E5B5	5 x 40"	5562	2000 x 2
H8E5B6	6 x 40"	6578	2360 x 2

Ref	Box: WxLxH.	Box: Qnt.	Box: Weight.	Pallet: WxLxH.	Pallet: Qnt.	Pallet: Weight.
H8E5B1						
H8E5B2						
H8E5B3						
H8E5B4						
H8E5B5						
H8E5B6						

Certificates	Manufacturer	Sectors
DM174-2004 CE	MWG	Industrial



8" Membrane Vessels End Port Series 450 E-8



- Fiberglass reinforced plastic pressure vessels series 450 E-8, white painted, UVA-ray proof material;
- Max operating pressure 450 psi (31 bar);
- European 2014/68/EU Directive compliant for pressure equipment (PED);
- Built in accordance with ASME code section X;
- Each vessel is factory tested at 1,5 times max operating pressure;
- Feed/concentrate connections 1 ½" Victaulic in AISI 316;
- Permeate connections 1" BSPT F;
- Operating pH Range: 3 ÷ 11 Cleaning pH Range: 2 ÷ 12 (less than 30 minutes);
- Straps and saddles included (n.2 pcs);
- 1,125" membrane adapters included.

Ref	Description	Fam.	Subfam.		Price Euro
H8E5C1	MWG RO VESSEL FRP 8" END-PORT 450 PSI 1EL 1,5" VICT. - 1" BSPT F	35	180		1376,17
H8E5C2	MWG RO VESSEL FRP 8" END-PORT 450 PSI 2EL 1,5" VICT. - 1" BSPT F	35	180		1475,78
H8E5C3	MWG RO VESSEL FRP 8" END-PORT 450 PSI 3EL 1,5" VICT. - 1" BSPT F	35	180		1603,60

Ref	Elements	L (mm)	S (mm)
H8E5C1	1 x 40"	1498	700
H8E5C2	2 x 40"	2514	1460
H8E5C3	3 x 40"	3530	2080

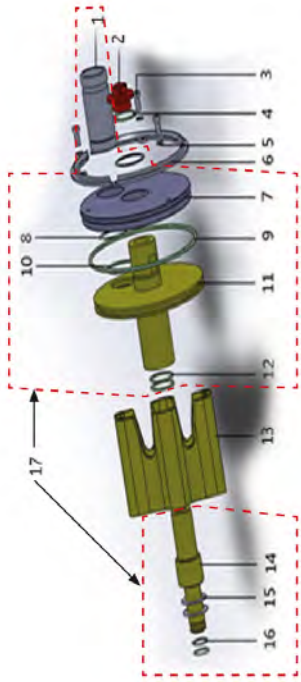
Ref	Box: WxLxH	Box: Q.ty	Box: Weight	Pallet: WxLxH	Pallet: Q.ty	Pallet: Weight
H8E5C1						
H8E5C2						
H8E5C3						

Certificates	Manufacturer	Sectors
DM174-2004 CE	MWG	Industrial



8" End Port 300-450 Psi Vessels Spare Parts

Spare Parts

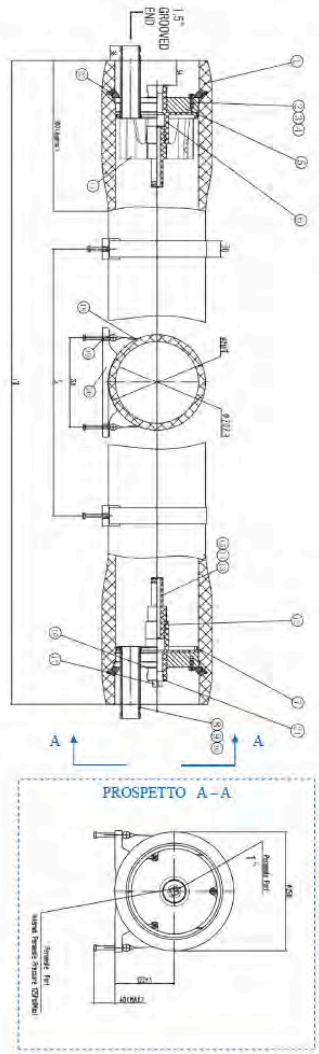


Ref	Description	Fam.	Subfam.		Price Euro
H8R081	MWG 8" MPV PLUG IN ABS FOR 300-1200 PSI	35	180		3,91
H8R203	MWG 8" MPV LOCKING SEGMENT SCREW IN AISI 304	35	180		17,08
H8R111	MWG 8" MPV PWT SEAL IN EPDM FOR 300÷1200 PSI	35	180		1,75
H8R031	MWG 8" MPV SPRING PAD IN AISI 304 FOR LOCKING SEGMENT SCREW	35	180		0,51
H8R041	MWG 8" MPV LOCKING SEGMENT IN AISI 304 FOR 300-450PSI	35	180		19,67
H8R108	187x7 O-RING (NEW STYLE 2020) IN EPDM FOR ALL MWG8" MPV	35	180		15,32
H8R109	MWG 8" MPV FEED CONCENTRATE PORT SEAL IN EPDM FOREND PORT 300÷1200 PSI	35	180		4,42
H8R111	MWG 8" MPV PWT SEAL IN EPDM FOR 300÷1200 PSI	35	180		1,75
H8R061	MWG 8" MPV THRUST CONE IN ABS FOR END PORT 300-450PSI	35	180		67,74
H8R601	MWG 8" MPV 1,125" ADAPTER IN ABS FOR 300-450 PSI	35	180		22,36
H8R651	MWG 8" MPV 1,125" ADAPTER PAD IN ABS	35	180		20,97
H8R113	MWG 8" MPV 1,125" ADAPTER O-RING IN EPDM FOR 300÷1200 PSI	35	180		4,42
H8R701	MWG 8" MPV HEAD ASSEMBLY END PORT 300 PSI	35	180		540,27
H8R703	MWG 8" MPV HEAD ASSEMBLY END PORT 450 PSI	35	180		728,03
H8R001	MWG 8" MPV SADDLE FOR 300-1200 PSI	35	180		10,09
H8R005	MWG 8" MPV STRAP FOR 300-450 PSI L=530 MM	35	180		28,72

Item	Ref	Quantity for each MPV	Material
2	H8R081	1	ABS
3	H8R203	6	AISI 304
4	H8R111	1	EPDM
5	H8R031	6	AISI 304
6	H8R041	6	AISI 304
9	H8R108	2	EPDM
10	H8R109	2	EPDM
12	H8R111	4	EPDM
13	H8R061	1	ABS
14 + 16	H8R601	2	ABS
15	H8R651	2	ABS
16	H8R113	4	EPDM
17	H8R701	2	
17	H8R703	2	
Not shown	H8R001	2 - 3	Rubber
Not shown	H8R005	2 - 3	AISI 304 - Rubber



8" Membrane Vessels End Port Series 600 E-8



- Fiberglass reinforced plastic pressure vessels series 600 E-8, white painted, UVA-ray proof material;
- Max operating pressure 600 psi (41 bar);
- European 2014/68/EU Directive compliant for pressure equipment (PED);
- Built in accordance with ASME code section X;
- Each vessel is factory tested at 1,5 times max operating pressure;
- Feed/concentrate connections 1 ½" Victaulic in super duplex steel AISI 2507;
- Permeate connections 1" BSPT F;
- Operating pH Range: 3 ÷ 11 Cleaning pH Range: 2 ÷ 12 (less than 30 minutes);
- Straps and saddles included (n.2 pcs);
- 1,125" membrane adapters included.

Ref	Description	Fam.	Subfam.		Price Euro
H8E5D1	MWG RO VESSEL FRP 8" END-PORT 600 PSI 1EL 1,5" VICT. - 1" BSPT F	35	180		2055,74
H8E5D2	MWG RO VESSEL FRP 8" END-PORT 600 PSI 2EL 1,5" VICT. - 1" BSPT F	35	180		2249,33

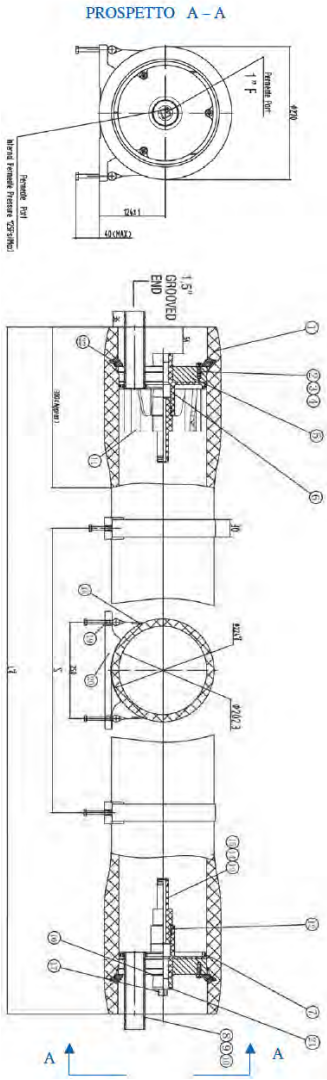
Ref	Elements	L (mm)	S (mm)
H8E5D1	1 x 40"	1514	700
H8E5D2	2 x 40"	2530	1460

Ref	Box: WxLxH.	Box: Qnt.	Box: Weight.	Pallet: WxLxH.	Pallet: Qnt.	Pallet: Weight.
H8E5D1						
H8E5D2						

Certificates	Manufacturer	Sectors
DM174-2004 CE	MWG	Industrial



8" Membrane Vessels End Port Series 1000 E-8



- Fiberglass reinforced plastic pressure vessels series 1000 E-8, white painted, UVA-ray proof material;
- Max operating pressure 1000 psi (69 bar);
- European 2014/68/EU Directive compliant for pressure equipment (PED);
- Built in accordance with ASME code section X;
- Each vessel is factory tested at 1,5 times max operating pressure;
- Feed/concentrate connections 1 ½" Victaulic in super duplex steel AISI 2507;
- Permeate connections 1" BSPT F;
- Operating pH Range: 3 ÷ 11 Cleaning pH Range: 2 ÷ 12 (less than 30 minutes);
- Straps and saddles included (n.2 pcs);
- 1,125" membrane adapters included.

Ref	Description	Fam.	Subfam.	Price Euro
H8E5G1	MWG RO VESSEL FRP 8" END-PORT 1000 PSI 1EL 1,5" VICT. - 1" BSPT F	35	180	2315,64
H8E5G2	MWG RO VESSEL FRP 8" END-PORT 1000 PSI 2EL 1,5" VICT. - 1" BSPT F	35	180	2551,95
H8E5G3	MWG RO VESSEL FRP 8" END-PORT 1000 PSI 3EL 1,5" VICT. - 1" BSPT F	35	180	2788,28

Ref	Elements	L (mm)	S (mm)
H8E5G1	1 x 40"	1514	700
H8E5G2	2 x 40"	2530	1460
H8E5G3	3 x 40"	3546	2080

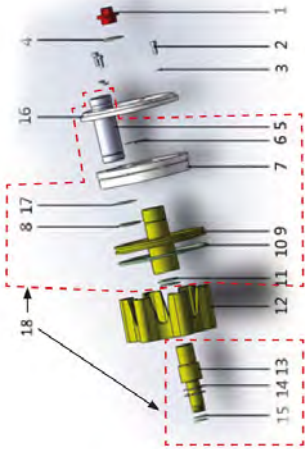
Ref	Box: WxLxH	Box: Q.ty	Box: Weight	Pallet: WxLxH	Pallet: Q.ty	Pallet: Weight
H8E5G1						
H8E5G2						
H8E5G3						

Certificates	Manufacturer	Sectors
DM174-2004 CE	MWG	Industrial



8" End Port 600-1000-1200 Psi Vessels Spare Parts

Spare Parts



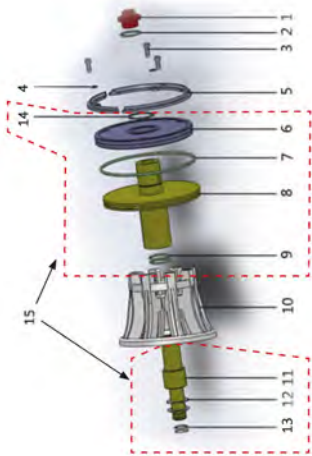
Ref	Description	Fam.	Subfam.		Price Euro
H8R081	MWG 8" MPV PLUG IN ABS FOR 300-1200 PSI	35	180		3,91
H8R203	MWG 8" MPV LOCKING SEGMENT SCREW IN AISI 304	35	180		17,08
H8R031	MWG 8" MPV SPRING PAD IN AISI 304 FOR LOCKING SEGMENT SCREW	35	180		0,51
H8R111	MWG 8" MPV PWT SEAL IN EPDM FOR 300÷1200 PSI	35	180		1,75
H8R109	MWG 8" MPV FEED CONCENTRATE PORT SEAL IN EPDM FOREND PORT 300÷1200 PSI	35	180		4,42
H8R108	187x7 O-RING (NEW STYLE 2020) IN EPDM FOR ALL MWG8" MPV	35	180		15,32
H8R111	MWG 8" MPV PWT SEAL IN EPDM FOR 300÷1200 PSI	35	180		1,75
H8R603	MWG 8" MPV 1,125" ADAPTER IN ABS FOR 600-1200 PSI	35	180		30,50
H8R613	MWG 8" MPV 1,5" ADAPTER IN ABS FOR 600-1200 PSI	35	180		34,04
H8R651	MWG 8" MPV 1,125" ADAPTER PAD IN ABS	35	180		20,97
H8R653	MWG 8" MPV 1,5" ADAPTER PAD IN ABS FOR 300-1200 PSI	35	180		2,23
H8R113	MWG 8" MPV 1,125" ADAPTER O-RING IN EPDM FOR 300÷1200 PSI	35	180		4,42
H8R115	MWG 8" MPV 1,5" ADAPTER O-RING IN EPDM FOR 300-1200 PSI	35	180		1,96
H8R705	MWG 8" MPV HEAD ASSEMBLY END PORT 600 PSI	35	180		832,06
H8R707	MWG 8" MPV HEAD ASSEMBLY END PORT 1000 PSI	35	180		959,16
H8R001	MWG 8" MPV SADDLE FOR 300-1200 PSI	35	180		10,09
H8R009	MWG 8" MPV STRAP FOR 600-1200 PSI L=580 MM	35	180		32,49

Item	Ref.	Quantity for each MPV	Material
1	H8R081	1	ABS
2	H8R203	6	AISI 304
3	H8R031	6	AISI 304
4	H8R111	1	EPDM
8	H8R109	2	EPDM
10	H8R108	2	EPDM
11	H8R111	4	EPDM
13 + 15	H8R603	2	ABS
13 + 15	H8R613	2	ABS
14	H8R651	2	ABS
14	H8R653	2	ABS
15	H8R113	4	EPDM
15	H8R115	4	EPDM
18	H8R705	2	
18	H8R707	2	
Not shown	H8R001	2 - 3	Rubber
Not shown	H8R009	2 - 3	AISI 304 - Rubber



8" Side Port 300-450 Psi Vessels spare parts

Spare parts

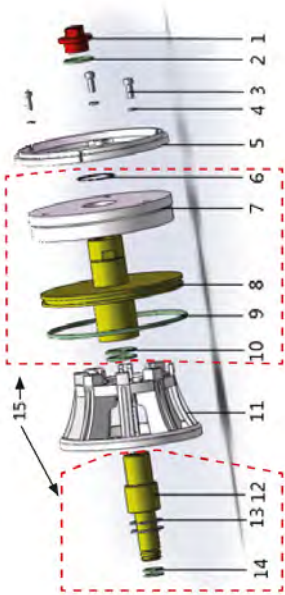


Ref	Description	Fam.	Subfam.		Price Euro
H8R081	MWG 8" MPV PLUG IN ABS FOR 300-1200 PSI	35	180		3,91
H8R111	MWG 8" MPV PWT SEAL IN EPDM FOR 300÷1200 PSI	35	180		1,75
H8R203	MWG 8" MPV LOCKING SEGMENT SCREW IN AISI 304	35	180		17,08
H8R031	MWG 8" MPV SPRING PAD IN AISI 304 FOR LOCKING SEGMENT SCREW	35	180		0,51
H8R041	MWG 8" MPV LOCKING SEGMENT IN AISI 304 FOR 300-450PSI	35	180		19,67
H8R108	187x7 O-RING (NEW STYLE 2020) IN EPDM FOR ALL MWG8" MPV	35	180		15,32
H8R111	MWG 8" MPV PWT SEAL IN EPDM FOR 300÷1200 PSI	35	180		1,75
H8R071	MWG 8" MPV THRUST CONE IN ABS FOR SIDE PORT 300-450 PSI	35	180		66,46
H8R601	MWG 8" MPV 1,125" ADAPTER IN ABS FOR 300-450 PSI	35	180		22,36
H8R611	MWG 8" MPV 1,5" ADAPTER IN ABS FOR 300-450 PSI	35	180		30,55
H8R651	MWG 8" MPV 1,125" ADAPTER PAD IN ABS	35	180		20,97
H8R653	MWG 8" MPV 1,5" ADAPTER PAD IN ABS FOR 300-1200 PSI	35	180		2,23
H8R113	MWG 8" MPV 1,125" ADAPTER O-RING IN EPDM FOR 300÷1200 PSI	35	180		4,42
H8R115	MWG 8" MPV 1,5" ADAPTER O-RING IN EPDM FOR 300-1200 PSI	35	180		1,96
H8R001	MWG 8" MPV SADDLE FOR 300-1200 PSI	35	180		10,09
H8R005	MWG 8" MPV STRAP FOR 300-450 PSI L=530 MM	35	180		28,72

Item	Ref	Quantity for each MPV	Material
1	H8R081	1	ABS
2	H8R111	1	EPDM
3	H8R203	6	AISI 304
4	H8R031	6	AISI 304
5	H8R041	6	AISI 304
7	H8R108	2	EPDM
9	H8R111	4	EPDM
10	H8R071	1	ABS
11 + 13	H8R601	2	ABS
11 + 13	H8R611	2	ABS
12	H8R651	2	ABS
12	H8R653	2	ABS
13	H8R113	4	EPDM
13	H8R115	4	EPDM
Not shown	H8R001	2 - 3	Rubber
Not shown	H8R005	2 - 3	AISI 304 - Rubber



8" Side Port 600-1000-1200 Psi Vessels Spare Parts



Ref	Description	Fam.	Subfam.		Price Euro
H8R081	MWG 8" MPV PLUG IN ABS FOR 300-1200 PSI	35	180		3,91
H8R111	MWG 8" MPV PWT SEAL IN EPDM FOR 300÷1200 PSI	35	180		1,75
H8R203	MWG 8" MPV LOCKING SEGMENT SCREW IN AISI 304	35	180		17,08
H8R031	MWG 8" MPV SPRING PAD IN AISI 304 FOR LOCKING SEGMENT SCREW	35	180		0,51
H8R108	187x7 O-RING (NEW STYLE 2020) IN EPDM FOR ALL MWG8" MPV	35	180		15,32
H8R111	MWG 8" MPV PWT SEAL IN EPDM FOR 300÷1200 PSI	35	180		1,75
H8R603	MWG 8" MPV 1,125" ADAPTER IN ABS FOR 600-1200 PSI	35	180		30,50
H8R613	MWG 8" MPV 1,5" ADAPTER IN ABS FOR 600-1200 PSI	35	180		34,04
H8R651	MWG 8" MPV 1,125" ADAPTER PAD IN ABS	35	180		20,97
H8R653	MWG 8" MPV 1,5" ADAPTER PAD IN ABS FOR 300-1200 PSI	35	180		2,23
H8R113	MWG 8" MPV 1,125" ADAPTER O-RING IN EPDM FOR 300÷1200 PSI	35	180		4,42
H8R115	MWG 8" MPV 1,5" ADAPTER O-RING IN EPDM FOR 300-1200 PSI	35	180		1,96
H8R001	MWG 8" MPV SADDLE FOR 300-1200 PSI	35	180		10,09
H8R009	MWG 8" MPV STRAP FOR 600-1200 PSI L=580 MM	35	180		32,49

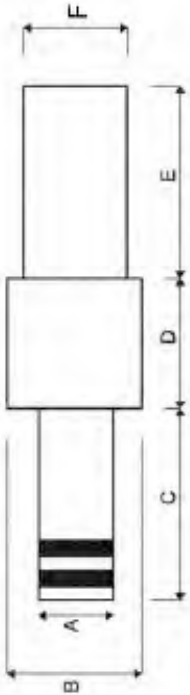
Item	Ref	Quantity for each MPV	Material
1	H8R081	1	ABS
2	H8R111	1	EPDM
3	H8R203	6	AISI 304
4	H8R031	6	AISI 304
9	H8R108	2	EPDM
10	H8R111	4	EPDM
12 + 14	H8R603	2	ABS
12 + 14	H8R613	2	ABS
13	H8R651	2	ABS
13	H8R653	2	ABS
14	H8R113	4	EPDM
14	H8R115	4	EPDM
Not shown	H8R001	2 - 3	Rubber
Not shown	H8R009	2 - 3	AISI 304 - Rubber



8" Membrane Adapters

Suitable for 8" membranes;

Material PVC complete with o-rings.



Ref	Description	Fam.	Subfam.		Price Euro
H8R601	MWG 8" MPV 1,125" ADAPTER IN ABS FOR 300-450 PSI	35	180		22,36
H8R611	MWG 8" MPV 1,5" ADAPTER IN ABS FOR 300-450 PSI	35	180		30,55
H8R603	MWG 8" MPV 1,125" ADAPTER IN ABS FOR 600-1200 PSI	35	180		30,50
H8R613	MWG 8" MPV 1,5" ADAPTER IN ABS FOR 600-1200 PSI	35	180		34,04

Ref	Material	A	B	C	D	E	F	For Membrane	For Vessel
H8R601	ABS	28,3 (1,125")	46	70	38	70	36,5	BW30-400 or similar	MWG
H8R611	ABS	38 (1,5")	50	70	36	70	36,55	BW30LE440 or similar	MWG
H8R603	ABS	28,3 (1,125")	46	70	38	53	36,5	BW30-400 or similar	MWG
H8R613	ABS	38 (1,5")	50	70	36	53	36,55	BW30LE440 or similar	MWG

Ref Adatters	Ref Ring	O-Ring	Description	Fam.	Subfam.		Price Euro
H8R601	H8R113		MWG 8" MPV 1,125" ADAPTER O-RING IN EPDM FOR 300÷1200 PSI	35	180		4,42
H8R611	H8R115		MWG 8" MPV 1,5" ADAPTER O-RING IN EPDM FOR 300-1200 PSI	35	180		1,96
H8R603	H8R113		MWG 8" MPV 1,125" ADAPTER O-RING IN EPDM FOR 300÷1200 PSI	35	180		4,42
H8R613	H8R115		MWG 8" MPV 1,5" ADAPTER O-RING IN EPDM FOR 300-1200 PSI	35	180		1,96

Certificates	Manufacturer	Sectors
		Industrial



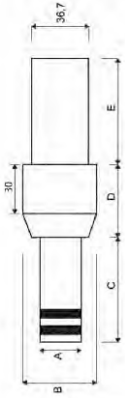
8" Membrane Adapters

- Suitable for 8 "diameter membranes - Complete with o-rings.

Ref	Description	Fam.	Subfam.		Price Euro
EA023	ADAPTER 1.125" BEKAERT BW	35	180		37,96

Ref	Material	A	B	C	D	E	For Membrane	For Vessel
EA023	PVC	28,5 (1,125")	50	73	50	64	BMW30-400 or similar	Bekaert Style

Ref O-Ring	Description	Fam.	Subfam.		Price Euro
EA354	ADAPTER O-RING FOR 1.125" MALE ADAPTER P/N 10182	35	180		0,72



Blank Adapters

Blank Adapter Kit

- Suitable for 8" membranes; - Material PVC complete with o-rings.

Ref	Description	Ref O-Ring	Fam.	Subfam.		Price Euro
EA026A	KIT ADAPTER 1.125" FOR MWG VESSEL	EA264	35	190		43,97

Ref	A (mm)	A (Inch)	For Membrane	For Vessel
EA026A	28,5	1,125"	BW30-400 or similar	MWG



Blank Adapter

- Material PVC

Ref	Description	Fam.	Subfam.		Price Euro
EA028	KIT BLANK ADAPTER 1.125" PVC FEMALE	35	180		25,71

Ref	A (mm)	A (Inch)	For Membrane
EA028	28,5	1,125"	BW30-400 or similar

Certificates	Manufacturer	Sectors
		Industrial





Victaulic Style Couplings

- Complete with gaskets; Max operating pressure 1000 psi (69 bar)



Ref	Description	Fam.	Subfam.		Price Euro
EA030	VICT. TYPE COUPLING CAST-IRON 1000 PSI - 1" (33.4MM)	35	180		31,68
EA032	VICT. TYPE COUPLING CAST-IRON 1000 PSI - 1"1/4 (42,2 MM)	35	180		29,18
EA031	VICT. TYPE COUPLING CAST-IRON 1000 PSI - 1"1/2 (48,3 MM)	35	180		32,09
EA033	VICT. TYPE COUPLING CAST-IRON 1000 PSI - 2" (60,3MM)	35	180		39,48
EA034	VICT. TYPE COUPLING CAST-IRON 1000 PSI - 2"1/2 (73.0 MM)	35	180		44,00
EA035	VICT. TYPE COUPLING CAST-IRON 1000 PSI-3" (88,9 MM)	35	180		56,10

Certificates	Manufacturer	Sectors
		Industrial

Aisi 304 Victaulic Style Couplings - 1200 Psi

- Complete with gaskets; Max operating pressure 1200 psi (83 bar).



Ref	Description	Fam.	Subfam.		Price Euro
EA190	COUPLING TYPE VICT. AISI 304 1200 PSI -3/4" (26,7MM)	35	180		42,51
EA191	COUPLING TYPE VICT. AISI 304 1200 PSI -1" (33,7 MM)	35	180		43,26
EA192	COUPLING TYPE VICT. AISI 304 1200 PSI -1"1/4 (42,4 MM)	35	180		55,55
EA193	COUPLING TYPE VICT. AISI 304 1200 PSI -1"1/2 (48,3 MM)	35	180		61,62
EA194	COUPLING TYPE VICT. AISI 304 1200 PSI -2" (60,3 MM)	35	180		73,24
EA195	COUPLING TYPE VICT. AISI 304 1200 PSI -2"1/2 (73,0 MM)	35	180		86,72
EA196	COUPLING TYPE VICT. AISI 304 1200 PSI -3" (88,9 MM)	35	180		105,06

Certificates	Manufacturer	Sectors
		Industrial



Aisi 304 Victaulic Style Couplings - 350 Psi



- Complete with gaskets; Max operating pressure 350 psi (23 bar).

Ref	Description	Fam.	Subfam.		Price Euro
EA070	VICT. TYPE COUPLING AISI 304 350 PSI - 3/4" (26,7 MM)	35	180		21,70
EA071	VICT. TYPE COUPLING AISI 304 350 PSI - 1" (33.4MM)	35	180		22,48
EA072	VICT. TYPE COUPLING AISI 304 350 PSI - 1"1/4 (42,2 MM)	35	180		30,87
EA073	VICT. TYPE COUPLING AISI 304 350 PSI - 1"1/2 (48,3 MM)	35	180		32,09
EA074	VICT. TYPE COUPLING AISI 304 350 PSI - 2" (60.3MM)	35	180		39,00
EA075A	VICT. TYPE COUPLING AISI 304 350 PSI - 2"1/2 (73,0MM)	35	180		50,00
EA075	VICT. TYPE COUPLING AISI 304 350 PSI - 3" O.D. (76.1 MM)	35	180		50,00
EA076	VICT. TYPE COUPLING AISI 304 350 PSI - 3" (88.9MM)	35	180		64,99

Certificates	Manufacturer	Sectors
		Industrial

Nylon Victaulic Style Couplings - 300 psi



- Complete with gaskets in EPDM;
- Max operating pressure 300 psi (21 bar).

Ref	Description	Fam.	Subfam.		Price Euro
EA550	VICT. COUPLING NYLON 300 PSI-1" (33,4 MM) - DN25	35	180		25,77
EA551	VICT. COUPLING NYLON 300 PSI-1" 1/4 (42,2 MM) - DN32	35	180		30,91
EA552	VICT. COUPLING NYLON 300 PSI-1" 2" (48,3 MM) - DN40	35	180		38,95
EA553	VICT. COUPLING NYLON 300 PSI-1" 1/2 (60,3 MM) - DN50	35	180		42,37
EA554	VICT. COUPLING NYLON 300 PSI-2" 1/2 (73,0 MM) - DN65	35	180		43,51
EA555	VICT. COUPLING NYLON 300 PSI-3" (88,9 MM) - DN80	35	180		56,12
EA556	VICT. COUPLING NYLON 300 PSI-4" (114,3 MM) - DN10	35	180		100,78

Ref	For our stub pipes	Nominal diameter (pollici)	Nominal diameter (mm)
EA550		1"	33,4
EA551	EA601	1 1/4"	42,2
EA552	EA602	1 1/2"	48,3
EA553	EA603	2"	60,3
EA554	EA604	2 1/2"	73,0
EA555	EA605	3"	88,9
EA556	EA606	4"	114,3

Certificates	Manufacturer	Sectors
		Industrial



Stub Pipes to Weld

- Stub pipe with end part to weld;
- Material AISI 316;
- P max 600 psi (42 bar).



Ref	Description	Fam.	Subfam.		Price Euro
EA080	STUBE PIPE TO WELD CUT GROOVE AISI 316 - 3/4" (26.7 x 60 MM - SCH 40)	35	180		10,84
EA081	STUBE PIPE TO WELD CUT GROOVE AISI 316 - 1" (33,7x 60 MM - SCH 40)	35	180		12,98
EA082	STUBE PIPE TO WELD CUT GROOVE AISI 316 - 1 1/4 (42.4 x 60 MM - SCH 40)	35	180		18,84
EA083	STUBE PIPE TO WELD CUT GROOVE AISI 316 - 1 1/2 (48.3 x 60 MM - SCH 40)	35	180		22,94
EA084	STUBE PIPE TO WELD CUT GROOVE AISI 316 - 2" (60,3x 80 MM - SCH 40)	35	180		36,27
EA085A	STUBE PIPE TO WELD CUT GROOVE AISI 316 - 2 1/2 (73,0 x 90 MM - SCH 40)	35	180		47,70
EA086	STUBE PIPE TO WELD CUT GROOVE AISI 316 - 3" (88,9x 100 MM - SCH 40)	35	180		65,87

Ref	ANSIB36.10 Schedules	Nominal diameter (mm)	Lenght (mm)
EA080	40	26,7	60
EA081	40	33,4	60
EA082	40	42,2	60
EA083	40	48,3	60
EA084	40	60,3	80
EA085A	40	73,0	90
EA086	40	88,9	100

Certificates	Manufacturer	Sectors
		Industrial



Threaded Stub Pipes

- Stub pipe with end part BSPP threaded;
- Material AISI 316;
- P max 600 psi (42 bar).

Ref	Description	Fam.	Subfam.		Price Euro
EA050	THREADED STUBE PIPE CUT GROOVE AISI 316 - 3/4" M(26,7 x 65 MM)	35	180		19,58
EA051	THREADED STUBE PIPE CUT GROOVE AISI 316 - 1" M (33,7 x 65 MM)	35	180		22,16
EA052	THREADED STUBE PIPE CUT GROOVE AISI 316 - 1"1/4 M(42,4 x 80 MM)	35	180		32,57
EA053	THREADED STUBE PIPE CUT GROOVE AISI 316 - 1"1/2 M(48,3 x 100 MM)	35	180		39,00
EA054	THREADED STUBE PIPE CUT GROOVE AISI 316 - 2" M (60,3 x 100 MM)	35	180		50,46
EA055	THREADED STUBE PIPE CUT GROOVE AISI 316 - 2"1/2 M(76,1 x 100 MM)	35	180		68,67

Certificates	Manufacturer	Sectors
		Industrial



Stub Pipes

Stub Pipes to Glue

- Stub pipes with end part to glue and the other end part for Victaulic Style couplings;
- In PVC-U.
- PN = 4 bar.



Ref	Description	Fam.	Subfam.		Price Euro
EA601	PVC-U STUBE PIPE DN32 D32	35	180		9,15
EA602	PVC-U STUBE PIPE DN40 D50	35	180		11,46
EA603	PVC-U STUBE PIPE DN50 D63	35	180		16,05
EA604	PVC-U STUBE PIPE DN65 D75	35	180		18,31
EA605	PVC-U STUBE PIPE DN80 D90	35	180		24,05
EA606	PVC-U STUBE PIPE DN100 D110	35	180		41,24

Ref	For our victaulic style couplings	D1 (mm)	D2 (mm)	D3 (mm)	L1 (mm)	L2 (mm)
EA601	EA551	42	32	40	22	64
EA602	EA552	48	50	60	31	66
EA603	EA553	60	63	74	38	76
EA604	EA554	73	75	87	43	79
EA605	EA555	89	90	104	51	85
EA606	EA556	114	110	125	61	96

Certificates	Manufacturer	Sectors
		Industrial



R.O. PLUS Electric Control Panel for R.O. Systems



- With double conductivity meter (feed and permeate);
- In this way you can:
- Command the high pressure pump and the two solenoid valves for feed interception and flushing;
- Manage and program the most common measurement and signal instruments installed on the system, with highly flexible ways of working;
- Manage and setting the automatic cleaning system;
- Conform to CE Directives;
- Microprocessor;
- LCD display 2 x 16 digit;
- Power supply 230VAC 50-60Hz;
- Available in ABS box with protection class IP65 (ref. DG101 and ref. DG103) or Rack version (ref. DG101R and ref. DG103R);
- Supplied without conductivity probes.
- **RACK Version: Height 180 (mm), Width 220 (mm), Dept 80 (mm)**

Operated functions:

- High pressure pump (max power 736 W);
- Feed electric valve;
- Fluxing electric valve;
- Cleaning electric valve;
- Pump for antiscaling.

Conductivity meter:

- VERSION 1: RO PLUS LC (ref. DG101 ABS box IP65 and ref. DG101R Rack version).
- With conductivity meter for feed $000 \div 9,99$ mS/cm and conductivity meter for permeate $00,0 \div 99,9$ μ S/cm.
- Warning: with this model you must use one Stainless Steel probe K=1 (ref. DG121) for feed and one Stainless Steel probe for permeate (ref. DG122), to buy separately.
- VERSION 2: RO PLUS HC (ref. DG103 ABS box IP65 and ref. DG103R Rack version)
- With conductivity meter for feed $00,0 \div 9,99$ mS/cm and conductivity meter for permeate $00,0 \div 999$ μ S/cm
- Warning: with this model you must use n.2 graphite probes K=1 (ref. DG123), one for the feed and one for the permeate, to buy separately.
- The version is displayed turning on the instrument.



External input receivable:

- Low permeate storage tank level;
- High permeate storage tank level;
- Minimum pressure meter;
- Maximum pressure meter;
- Pretreatment (filter or softener) in service;
- Heat pump;
- Failed dosage alarm;
- Stand-by.

Alarms:

- High conductivity; - Low pressure; - High pressure; - Heat pump; - HIGH LOW CONTACT.

Ref	Description	Fam.	Subfam.		Price Euro
DG101	MWG R.O. PLUS LC CONTROL PANEL	30	185		668,93
DG103	MWG R.O. PLUS HC CONTROL PANEL	30	185		668,93
DG101R	MWG R.O. PLUS LC RACK CONTROL PANEL	30	185		668,93
DG103R	MWG R.O. PLUS HC RACK CONTROL PANEL	30	185		668,93
DG121	MWG CONDUCTIVITY PROBE INOX K=1 CONN.3/4" W/CABLE	30	185		106,22
DG122	MWG CONDUCTIVITY PROBE INOX K=0.1 CONN.3/4" W/CABLE	30	185		106,22
DG123	MWG CONDUCTIVITY PROBE CARBON K=1 CONN.3/4" W/CABLE	30	185		113,70

Ref	Box: WxLxH.	Box: Qnt.	Box: Weight.	Pallet: WxLxH.	Pallet: Qnt.	Pallet: Weight.
DG101						
DG103						
DG101R						
DG103R						
DG121						
DG122						
DG123						

Certificates	Manufacturer	Sectors
CE	MWG	Commercial, Industrial



In-Out 3/8" Rotary Pumps for R.O.

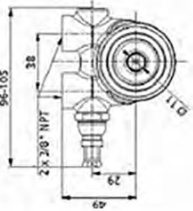
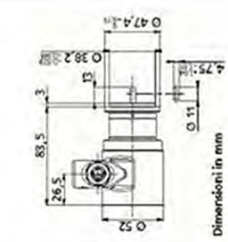


- Rotary vane pumps for R.O. systems, direct connection V-band clamp to motor;
- Housing material brass or AISI 303, security by-pass on show models;
- IN-OUT connections 3/8" F BSPT;
- T max = 50°C;
- Service life = almost 4.000 hours (with P=10 bar and good operating conditions).

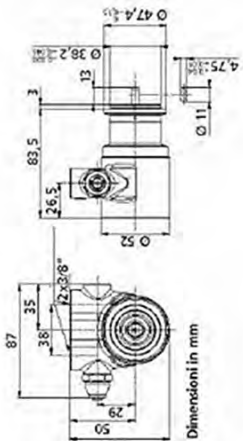
Ref	Description	Fam.	Subfam.		Price Euro
DE804A	MWG ROTARY PUMP RO 50 BRASS WITH BYPASS 3/8" GAS	30	170		107,85
DE805A	MWG ROTARY PUMP RO 150 BRASS WITH BYPASS 3/8" GAS	30	170		105,63
DE806A	MWG ROTARY PUMP RO 200 BRASS WITH BYPASS 3/8" GAS	30	170		105,63
DE807A	MWG ROTARY PUMP RO 300 BRASS WITH BYPASS 3/8" GAS	30	170		105,63
DE808A	MWG ROTARY PUMP RO 400 BRASS WITH BYPASS 3/8" GAS	30	170		105,63
DE827A	MWG ROTARY PUMP RO 300 AISI W/BY PASS 3/8" GAS	30	170		173,65
DE828A	MWG ROTARY PUMP RO 400 AISI W/BY PASS 3/8" GAS	30	170		173,65
DE811A	MWG ROTARY PUMP RO 200 BRASS 3/8" GAS	30	170		102,14
DE812A	MWG ROTARY PUMP RO 300 BRASS 3/8" GAS	30	170		102,14
DE813A	MWG ROTARY PUMP RO 400 BRASS 3/8" GAS	30	170		102,14
DE832A	MWG ROTARY PUMP RO 300 AISI 3/8" GAS	30	170		171,02
DE833A	MWG ROTARY PUMP RO 400 AISI 3/8" GAS	30	170		171,02



In-Out 3/8" Rotary Pumps for R.O.



Pompe in ottone



Pompe in acciaio



Ref	Connections	Material	Flow 7 bar (l/h)	Flow 14 bar (l/h)
DE804A	BSPT	Brass	65	55
DE805A	BSPT	Brass	165	150
DE806A	BSPT	Brass	225	206
DE807A	BSPT	Brass	334	315
DE808A	BSPT	Brass	434	415
DE827A	BSPT	AISI 303	334	315
DE828A	BSPT	AISI 303	434	415
DE811A	BSPT	Brass	225	206
DE812A	BSPT	Brass	334	315
DE813A	BSPT	Brass	434	415
DE832A	BSPT	AISI 303	334	315
DE833A	BSPT	AISI 303	434	415

Certificates	Manufacturer	Sectors
DM174-2004 / NSF169 / WRAS	MWG	Domestic, Commercial



In-Out 1/2" Rotary Pumps for R.O.

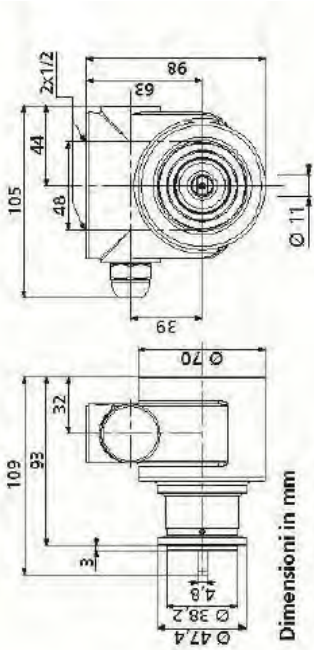
- Rotary vane pumps for R.O. systems, direct connection V-band clamp to motor;
- Housing material brass or AISI 303;
- IN-OUT Gas connections 1/2" F BSPT;
- T max = 50°C;
- Service life = almost 4.000 hours (with P=10 bar and good operating conditions).



Ref	Description	Fam.	Subfam.		Price Euro
DE809A	MWG ROTARY PUMP RO 600 BRASS WITH BYPASS 1/2" GAS	30	170		200,11
DE810A	MWG ROTARY PUMP RO 800 BRASS WITH BYPASS 1/2" GAS	30	170		200,11
DE814A	MWG ROTARY PUMP RO 1000 BRASS WITH BYPASS 1/2" GAS	30	170		200,11
DE817A	MWG ROTARY PUMP RO 600 BRASS 1/2" GAS	30	170		192,13
DE818A	MWG ROTARY PUMP RO 800 BRASS 1/2" GAS	30	170		192,13
DE819A	MWG ROTARY PUMP RO 1000 BRASS 1/2" GAS	30	170		192,13
DE801A	MWG ROTARY PUMP RO 600 MAXI AISI W/BY PASS 1/2" GAS	30	170		287,35
DE802A	MWG ROTARY PUMP RO 800 MAXI AISI W/BY PASS 1/2" GAS	30	170		287,35
DE803A	MWG ROTARY PUMP RO 1000 MAXI AISI W/BY PASS 1/2" GAS	30	170		287,35
DE837A	MWG ROTARY PUMP RO 600 MAXI AISI 1/2" GAS	30	170		260,21
DE838A	MWG ROTARY PUMP RO 800 MAXI AISI 1/2" GAS	30	170		260,21
DE839A	MWG ROTARY PUMP RO 1000 MAXI AISI 1/2" GAS	30	170		260,21



In-Out 1/2" Rotary Pumps for R.O.



Ref	Connections	Material	Flow 7 bar (l/h)	Flow 14 bar (l/h)
DE809A	BSPT	Brass	620	797
DE810A	BSPT	Brass	820	797
DE814A	BSPT	Brass	1020	997
DE817A	BSPT	Brass	620	597
DE818A	BSPT	Brass	820	797
DE819A	BSPT	Brass	1020	997
DE801A	BSPT	AISI 303	620	597
DE802A	BSPT	AISI 303	820	797
DE803A	BSPT	AISI 303	1020	997
DE837A	BSPT	AISI 303	620	597
DE838A	BSPT	AISI 303	820	797
DE839A	BSPT	AISI 303	1020	997

Certificates	Manufacturer	Sectors
DM174-2004 / NSF169 / WRAS	MWG	Domestic, Commercial, Industrial



Motors Direct Connection for Rotary Pumps

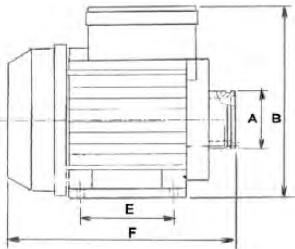
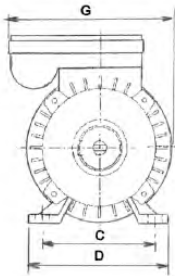


- Single phase motors direct connection for rotary vane pumps;
- Complete with thermic protection (our ref. DE845 has an automatic reset thermal protection when the temperature decreases);
- Power supply 220V - 50 Hz.

Ref	Description	Fam.	Subfam.		Price Euro
DE850	MOTOR 300W-230V-50Hz SINGLE PHASE DIRECT CONNECTIONS	30	170		192,80
DE845	MOTOR 550W-230V-50Hz 4 POLES SINGLE PHASE DIRECTCONNECTIONS	30	170		356,15

Ref	A (mm)	B (mm)	C (mm)	D (mm)	E (mm)	F (mm)	G (mm)
DE850	47	156	97	120	80	200	138
DE845	44	205	*	172	*	241	*

* Not applicable: for further details, please consult our Technical Department.



Ref	Electrical Input (a)	RPM	IP Protection	For Pumps
DE850	1,6	1.300	IP 44	RO 200 RO 300
DE845	4,2	1.360	IP 55	RO 400 RO 600

Certificates	Manufacturer	Sectors
CE		Domestic, Commercial, Industrial



Motors for Rotary Pumps for R.O. 300-400-600-800-1000

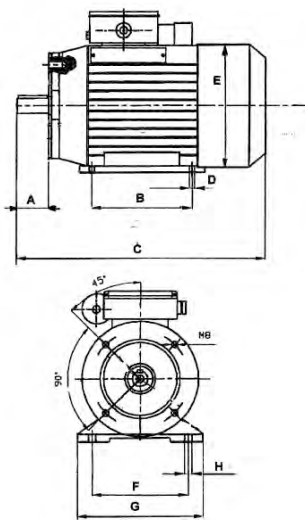
- Range of single and three phase motor for application with rotary vane pumps, using coupling and adapter;
- 4 poles motor, power supply 220V - 50 Hz single phase, 380V - 50 Hz three phase;
- Protection class IP55;



Ref	Description	Fam.	Subfam.		Price Euro
DE860	MOTOR 1/2 CV-M71-4POLI 220V/50HZ SINGLE PHASE B3/B14	30	170		313,76
DE861	MOTOR 3/4 CV-M80-4POLI 220V/50HZ SINGLE PHASE B3/B14	30	170		345,14
DE862	MOTOR 1 CV-M80-4POLI 220V/50HZ SINGLE PHASE B3/B1	30	170		443,19
DE863	MOTOR 1/2 CV-M71 4 POLI 220/380V-50HZ TRIPHASE B3/B14	30	170		280,77
DE864	MOTOR 3/4 CV-M80 4 POLI 220/380V-50HZ TRIPHASE B3/B14	30	170		290,23
DE865	MOTOR 1 CV-M80 4 POLI 220/380V-50HZ TRIPHASE B3/B14	30	170		376,52

Model	A (mm)	B (mm)	C (mm)	D (mm)	E (mm)	F (mm)	G (mm)	H (mm)
0,5 CV	30	90	222	7	141	112	142	10
0,75 CV	40	100	255	10	157	125	160	13
1 CV	40	100	255	10	157	125	160	13

Ref	Power (cv)	Power (w)	Electrical Input (a)	RPM	For pump
DE860	0,5	370	3,1	1360	RO 300 RO 400
DE861	0,75	550	3,9	1360	RO 600
DE862	1	750	5,6	1370	RO800 RO1000
DE863	0,5	370	2,2	1360	RO 300 RO 400
DE864	0,75	550	2,8	1360	RO 600
DE865	1	750	3,5	1360	RO800 RO1000



Power Ref	Coupling Ref	Adapter Ref
DE860	DE872	DE871
DE861	DE874	DE873
DE862	DE874	DE873
DE863	DE872	DE871
DE864	DE874	DE873
DE865	DE874	DE873

Certificates	Manufacturer	Sectors
CE		Domestic, Commercial, Industrial



Adapter Couplings and Adapters for Rotary Pumps Models R.O. 300-400-600-800-1000



Ref	Description	Fam.	Subfam.		Price Euro
DE871	ADAPTER GR.71 -B3/B14	30	170		17,41

Ref	Description	Fam.	Subfam.		Price Euro
DE873	ADAPTER GR.80-B3/B14	30	170		20,82



Ref	Description	Fam.	Subfam.		Price Euro
DE872	COUPLING GR.71	30	170		20,08



Ref	Description	Fam.	Subfam.		Price Euro
DE874	COUPLING GR.80	30	170		36,70



Flowmeters

- Flowmeters (the reading is taken in correspondence with the top edge of the float) with wide range of measuring scale and of end connections (d20 ÷ d75), good level of accuracy with simple operation and very limited maintenance;
- Standard fluid = water; - Measuring tube in transparent PVC-U, Float in PP and O-ring in EPDM;
- Isolating or control valves may be mounted both upstream or downstream the flowmeter;
- Maximum working pressure with water up to 25°C = 10 bar; - 60°C = 1,5 bar - Temperature range = 5 ÷ 60°C.

FVCI

FSIV

D	B	C	E	D	B	C	E
20	208	176	170	40	408	356	350
25	229	191	185	63	432	356	350
32	250	206	200	75	444	356	350

Ref	Description	Connect.	Fam.	Subfam.		Price Euro
DG030	FLOWMETER FCIV D20 PVC EPDM 20-200 L/H PVC CLEARPP FLOAT	d20	30	185		234,35
DG032	FLOWMETER FCIV D25 PVC EPDM 30-350 L/H PVC CLEARPP FLOAT	d25	30	185		245,19
DG034	FLOWMETER FCIV D32 PVC EPDM 60-600 L/H PVC CLEARPP FLOAT	d32	30	185		273,40
DG036	FLOWMETER FCIV D32 PVC EPDM 100-1000 L/H PVC CLEAR PP FLOAT	d32	30	185		273,40
DG038	FLOWMETER FSIV D40 PVC EPDM 160-1600 L/H PVC CLEAR PP FLOAT	d40	30	185		492,48
DG040	FLOWMETER FSIV D40 PVC EPDM 200-2500 L/H PVC CLEAR PP FLOAT	d40	30	185		492,48
DG042	FLOWMETER FSIV D63 PVC EPDM 350-3500 L/H PVC CLEAR PP FLOAT	d63	30	185		772,30
DG044	FLOWMETER FSIV D63 PVC EPDM 500-5000 L/H PVC CLEAR PP FLOAT	d63	30	185		772,30
DG046	FLOWMETER FSIV D75 PVC EPDM 1000-8000 L/H PVC CLEAR PP FLOAT	d75	30	185		1347,14
DG048	FLOWMETER FSIV D75 PVC EPDM 1000-10000 L/H PVC CLEAR PP FLOAT	d75	30	185		1347,14
DG050	FLOWMETER FSIV D75 PVC EPDM 5000-25000 L/H PVC CLEAR PP FLOAT	d75	30	185		1347,14

Certificates	Manufacturer	Sectors
EAC		Commercial, Industrial

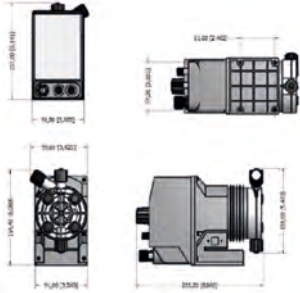
ACCESSORIES: Threaded connections not included, to order separately.

Ref	Description	Fam.	Subfam.		Price Euro
DG061	BFV THREADED CONNECTION BSP 1/2" PVCU	30	185		5,64
DG063	BFV THREADED CONNECTION BSP 3/4" PVCU	30	185		6,54
DG065	BFV THREADED CONNECTION BSP 1" PVCU	30	185		12,06
DG067	BFV THREADED CONNECTION BSP 1 1/4" PVCU	30	185		12,60
DG069	BFV THREADED CONNECTION BSP 2 " PVCU	30	185		19,45
DG071	BFV THREADED CONNECTION BSP 2 1/2 " PVCU	30	185		47,63

Ref	For Flowmeter
DG061	DG030
DG063	DG032
DG065	DG034 - DG036
DG067	DG038 - DG040
DG069	DG042 - DG044
DG071	DG046 - DG048 - DG050



PL Series Metering Pumps Horizontal Mounting



- PL series metering pumps horizontal mounting;
- Constant or proportional feeding, with pulse multiplier or pulse divider, dosage based on a mA signal or a digital signal (from 1 pulse/minute at 180 pulses/minute);
- Microprocessor technology;
- Manual stroke length adjustment;
- Body pump's in PVDF (and o-rings in VITON), with manual venting;
- Black enclosure in PP material;
- Protection class IP65;
- Audible noise 73,4 dB(A);
- Environment temperature $10 \div 45^{\circ}\text{C}$;
- Chemical temperature $0 \div 50^{\circ}\text{C}$;
- Power supply 230Vac 50/60hz with European transformer;
- Each pump is shipped with a Kit Assembly, delayed fuse, level probe with axial foot filter (PVDF), 5 bar injection valve (PVDF), PVDF delivery hose (length 2 m), PVC suction hose (length 2 m), discharge hose (length 2 m), input signal cable (length 2,5 m);
- Available also the self-venting version (see the following table).

Ref	Description	Fam.	Subfam.		Price Euro
DG299	MWG METERING PUMP HORIZ. PL 1 L/H @18 BAR PVDF ORVITON SELF VENTING	30	170		620,86
DG300	MWG METERING PUMP HORIZONTAL PL 2 L/H @ 18 BAR PVDF W/OR VITON	30	170		620,86
DG303	MWG METERING PUMP HORIZ. PL 5,5 L/H @8 BAR PVDF ORVITON SELF VENTING	30	170		620,86
DG304	MWG METERING PUMP HORIZONTAL PL 8 L/H @ 8 BAR PVDFW/OR VITON	30	170		620,86

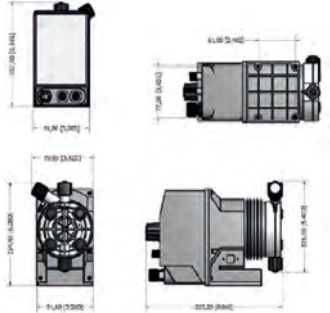
Certificates	Manufacturer	Sectors
NSF50 NSF61 DM174-2004 CE	MWG	Commercial, Industrial



MF Series Metering Pumps Horizontal Mounting



- MF series metering digital pumps horizontal mounting;
- Microprocessor technology (Constant, Divide, Multiply, PPM, Batch, Volt, mA, %, MLQ), stand-by and flow sensor input, alarm output and level control. Recovery fault mode, work-pause mode and upkeep mode (from 1 pulse/minute at 180 pulses/minute);
- Body pump's in PVDF (and o-rings in VITON), with manual venting;
- Black enclosure in PP material, protection class IP65;
- Audible noise 73,4 dB(A);
- Environment temperature 10 ÷ 45°C, chemical temperature 0 ÷ 50°C;
- Power supply 230Vac 50/60hz with European transformer;
- Each pump is shipped with a Kit Assembly, delayed fuse, level probe with axial foot filter (PVDF), 5 bar injection valve (PVDF), PVDF delivery hose (length 2 m), PVC suction hose (length 2 m), discharge hose (length 2 m), input signal cable (length 2,5 m);
- Available also the self-venting version (see the following table).



Ref	Description	Fam.	Subfam.		Price Euro
DG309	MWG METERING PUMP HORIZ. MF 1 L/H @18 BAR PVDF ORVITON SELF VENTING	30	170		872,20
DG310	MWG METERING PUMP HORIZONTAL MF 2 L/H @ 18 BAR PVDF W/OR VITON	30	170		872,20
DG313	MWG METERING PUMP HORIZ. MF 5,5 L/H @8 BAR PVDF ORVITON SELF VENTING	30	170		872,20
DG314	MWG METERING PUMP HORIZONTAL MF 8 L/H @ 8 BAR PVDFW/OR VITON	30	170		872,35

Certificates	Manufacturer	Sectors
NSF50 NSF61 DM174-2004 CE	MWG	Commercial, Industrial



MF Series Metering Pumps Vertical Mounting



- MF series metering digital pumps vertical mounting;
- Microprocessor technology (Constant, Divide, Multiply, PPM, Batch, Volt, mA, %, ml/q), with level control. Recovery fault mode, work-pause mode and upkeep mode (from 1 pulse/hour at 180 pulses/minute);
- Body pump's in PVDF (and o-rings in VITON) or PP (and o-rings in EPDM), with manual venting;
- Black enclosure in PP material;
- Protection class IP65;
- Audible noise 70.4 dB(A);
- Environment temperature 10 ÷ 45°C;
- Chemical temperature 0 ÷ 50°C;
- Power supply 230Vac 50/60hz with European transformer;
- Each pump is shipped with a Kit Assembly, delayed fuse, level probe with axial foot filter (PVDF), 5 bar injection valve (PVDF), PVDF delivery hose (length 2 m), PVC suction hose (length 2 m), discharge hose (length 2 m), input signal cable (length 2,5 m);
- Available also the self-venting version (see the following table).

Ref	Description	Fam.	Subfam.		Price Euro
DG319	MWG METERING PUMP VERTICAL. MF 1 L/H @15 BAR PVDFOR VITON SELF VENTING	30	170		540,08
DG320	MWG METERING PUMP VERTICAL MF 2 L/H @ 15 BAR PVDFW/OR VITON	30	170		540,08
DG320A	MWG METERING PUMP VERTICAL MF 2 L/H @ 15 BAR PP W/OR EPDM	30	170		539,48
DG323	MWG METERING PUMP VERTICAL. MF 4 L/H @7 BAR PVDF OR VITON SELF VENTING	30	170		540,08
DG324	MWG METERING PUMP VERTICAL MF 6 L/H @ 7 BAR IN PVDF W/OR VITON	30	170		540,08

Certificates	Manufacturer	Sectors
NSF50 NSF61 DM174-2004 CE	MWG	Commercial, Industrial



CL Series Metering Pumps Vertical Mounting



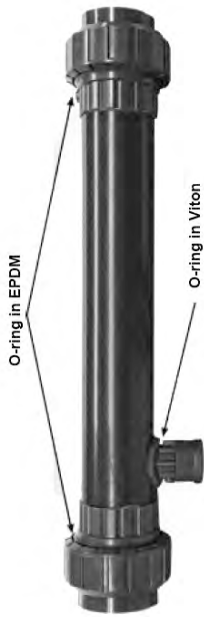
- CL series metering pumps vertical mounting;
- Microprocessor technology; constant pump with level control, flow rate control and 0-10% divider (from 1 pulse/minute at 180 pulses/minute);
- Body pump's in PVDF (and o-rings in VITON), with manual venting;
- Black enclosure in PP material;
- Protection class IP65;
- Audible noise 74 dB(A);
- Environment temperature 10 ÷ 45°C;
- Chemical temperature 0 ÷ 50°C;
- Power supply 230Vac 50/60hz with European transformer;
- Each pump is shipped with a Kit Assembly, delayed fuse, level probe with axial foot filter (PVDF), 5 bar injection valve (PVDF), PVDF delivery hose (length 2 m), PVC suction hose (length 2 m), discharge hose (length 2 m), input signal cable (length 2,5 m);
- Available also the self-venting version (see the following table).

Ref	Description	Fam.	Subfam.		Price Euro
DG329	MWG METERING PUMP VERTIC. CL 1 L/H @15 BAR PVDF ORVITON SELF VENTING	30	170		417,40
DG330	MWG METERING PUMP VERTICAL CL 2 L/H @ 15 BAR PVDFW/OR VITON	30	170		417,40
DG333	MWG METERING PUMP VERTIC. CL 4 L/H @7 BAR PVDF ORVITON SELF VENTING	30	170		417,40
DG334	MWG METERING PUMP VERTICAL CL 6 L/H @ 7 BAR PVDF W/OR VITON	30	170		417,40

Certificates	Manufacturer	Sectors
NSF50 NSF61 DM174-2004 CE	MWG	Commercial, Industrial



Metering Pumps Accessories



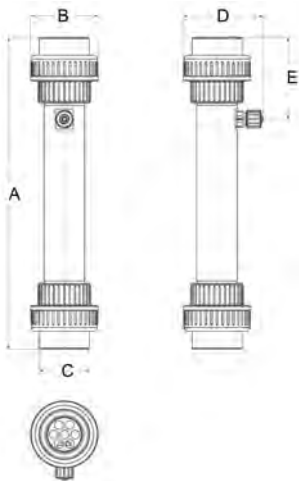
Ref	Description	Fam.	Subfam.		Price Euro
DG452	MWG PVDF TUBE 6X4 ROLL L=5 M	30	170		39,46
DG453	MWG PVC TUBE 6X4 ROLL L=100 M	30	170		134,65
DG454	MWG PE TUBE 6X4 ROLL L=100 M	30	170		152,60
DG460	MWG MAINTENANCE KIT ASSY METERING PUMP HORIZONTALPVDF -ORING VITON	30	170		164,79
DG460A	MWG MAINTENANCE KIT ASSY METERING PUMP HORIZ. PVDFW/OR VITON SELF-VENTING	30	170		164,87
DG462	MWG MAINTENANCE KIT ASSY METERING PUMP VERTICAL PVDF -ORING VITON	30	170		137,68
DG462A	MWG MAINTENANCE KIT ASSY METERING PUMP VERT. PVDFW/OR VITON SELF-VENTING	30	170		137,64
DG399	MWG LEVEL PROBE WITH AXIAL FOOT FILTER	30	170		59,88

Certificates	Manufacturer	Sectors
	MWG	Commercial, Industrial

Metering Pumps Accessories

STATIC MIXERS

- PVC-U static mixer filled with PP mixing elements;
- With injection valve 1/2" - 4x6 0,3 bar;
- Inspectionable.



Ref	Description	Fam.	Subfam.		Price Euro
DG470	MWG STATIC MIXER 1 1/4"	30	170		287,24
DG472	MWG STATIC MIXER 1 1/2"	30	170		444,63
DG473	MWG STATIC MIXER 2"	30	170		369,53

Ref	Fittings	A (mm)	B (mm)	C (mm)	D (mm)	E (mm)
DG470	1 1/4 "	390	72	53	134,5	95
DG472	1 1/2"	438	83	59	147	119
DG473	2"	462,5	100	74	118	121

Certificates	Manufacturer	Sectors
	MWG	Commercial, Industrial

Accessories

Ref	Description	Fam.	Subfam.		Price Euro
DG450	MWG MOUNTING BRACKET FOR VERTICAL PUMP	30	170		41,00

Certificates	Manufacturer	Sectors



Metering Pumps Accessories

Turbine pulse emitter water meter



- Threaded pulse emitter water meter for cold and hot water, single (mod. 15 - 20 - 25 - 30 40) and multiple (mod. 50) jet counter with wet dial;
- Thread sizes range: from ½" to 2";
- Brass case and head (except for 50 mm 2" model with cast iron case and head);
- Range temperature = 4 ÷ 30°C;
- Max operating pressure = 16 bar;
- Constant K = 4 pulses/liter;
- 2m cable length (RG58), equipped with BNC connector;
- Reed contact with 109 closing operations;
- Max voltage 250 VAC, 200 VDC;
- Max current 1 A;
- Max power 10 VA.

Ref	Description	Gauge (Inch)	Fam.	Subfam.		Price Euro
DG480	MWG TURBINE PULSE EMITTER WATER METER W/WET DIAL 15 MM	½	30	170		89,02
DG481	MWG TURBINE PULSE EMITTER WATER METER W/WET DIAL 20 MM	¾	30	170		112,86
DG482	MWG TURBINE PULSE EMITTER WATER METER W/WET DIAL 25 MM	1	30	170		153,78
DG483	MWG TURBINE PULSE EMITTER WATER METER W/WET DIAL 30 MM	1¼	30	170		197,42
DG484	MWG TURBINE PULSE EMITTER WATER METER W/WET DIAL 40 MM	1½	30	170		412,81
DG485	MWG TURBINE PULSE EMITTER WATER METER W/WET DIAL 50 MM	2	30	170		967,10

Certificates	Manufacturer	Sectors
DM174-2004	MWG	Commercial, Industrial

Accessories

- KDPV Kit, Signal Splitter.



Ref	Description	Fam.	Subfam.		Price Euro
DG467	MWG KDPV KIT	30	170		29,29

TURBINE PULSE EMITTER WATER METER

Certificates	Manufacturer	Sectors
	MWG	Commercial, Industrial



Dosing Systems



- Suitable to be assembled with dosing pumps on catalogue;
- Each dosing system consisting in:
 - - nr.1 tank in polyethylene (HDPE) for chemical mixing;
 - - nr.1 suction lances with o-ring in VITON;
 - - nr.1 manual stirrer;
- All dosing station components assembled on are enclosed into tank diameter;
- Stirrers screwed on thread metal insert are tilted for better central mixing;
- Stainless Steel (AISI 316) fixing screws with rubber cap;
- With level indicator;
- Tanks can be assembled with:
 - - nr.1 metering pump (not included in the dosing system);
 - - nr.1 manual stirrer;
 - - nr.1 feed water valve;
 - - nr.1 outgassing pump hose;
 - - nr.1 outgassing valve (on the higher top side);
 - - nr.1 bleed water valve (on the lower side);
 - - nr.1 suction lance;
- Range temperature = $4 \div 40^{\circ}\text{C}$;
- On demand are available safety bunds.

Ref	Description	Fam.	Subfam.		Price Euro
DG400	MWG DOSING SYSTEM ASSEMBLY 50 LITERS W/OR VITON	30	170		513,15
DG402	MWG DOSING SYSTEM ASSEMBLY 120 LITERS W/OR VITON	30	170		577,48
DG404	MWG DOSING SYSTEM ASSEMBLY 250 LITERS W/OR VITON	30	170		851,57

Ref	A (mm)	A1-Feed water valve height (mm)	C (mm)	C1 (mm)	D (mm)	Feed water (mm)
DG400	505	425	420	420	420	95
DG402	735	650	475	485	495	650
DG404	850	780	610	610	610	120

Certificates	Manufacturer	Sectors
	MWG	Commercial, Industrial



Dosing Systems Spare Parts

Suction lances for dosing system



- For pumps up to 10 l/h;
- Level switch;
- Foot valve and foot filter;
- Adjustable height;
- 1 1/2" pipe fitting;
- Lateral output (1/2" fitting);
- PVC body.

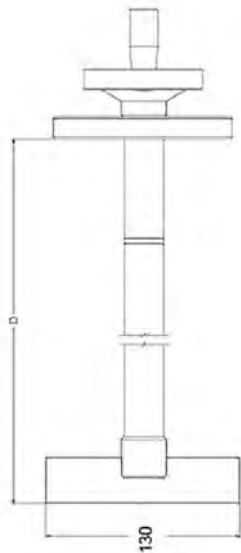
Ref	Description	Fam.	Subfam.		Price Euro
DG430	MWG SUCTION LANCE L=63 CM W/OR VITON	30	170		154,10
DG434	MWG SUCTION LANCE L=108 CM W/OR VITON	30	170		174,82

Ref	Dosing system	A (mm)	B (mm)
DG430	DG400 - DG402	630	740
DG434	DG404	1080	1190

Certificates	Manufacturer	Sectors
	MWG	Commercial, Industrial

Manual stirrer for dosing system

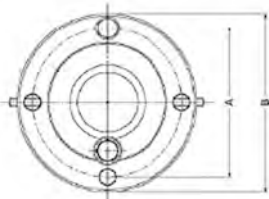
- PVC-U shaft;
- 2-blade impeller;
- Impeller diameter = 130 mm
- Holes diameter = 8,5 mm.



Ref	Description	Fam.	Subfam.		Price Euro
DG440	MWG MANUAL MIXER H=45 CM	30	170		179,83
DG442	MWG MANUAL MIXER H=65 CM	30	170		197,48
DG444	MWG MANUAL MIXER H=77 CM	30	170		214,76

Ref	Dosing system	A (mm)	ø B (mm)	D (mm)	Holes number and position
DG440	DG400 DG400A	100	120	450	4 at 90°
DG442	DG402 DG402A	125	145	650	3 at 120°
DG444	DG404 DG404A	125	145	770	3 at 120°

Certificates	Manufacturer	Sectors
	MWG	Commercial, Industrial





Dosing System Accessories

Safety bunds

- Material in polyethylene (HDPE), with reinforced collar for increasing security;
- Range temperature = $4 \div 40^{\circ}\text{C}$.



Ref	Description	Fam.	Subfam.		Price Euro
DG410	MWG SAFETY BUND FOR DOSING SYSTEM 50 LITERS	30	170		181,03
DG412	MWG SAFETY BUND FOR DOSING SYSTEM 120 LITERS	30	170		227,40
DG414	MWG SAFETY BUND FOR DOSING SYSTEM 250 LITERS	30	170		474,47

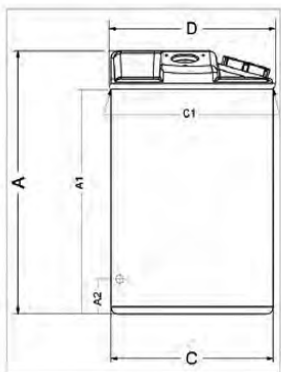
Ref	Volume (liters)	B (mm)	D (mm)	H (mm)
DG410	60	430	510	425
DG412	120	520	545	615
DG414	300	660	695	875

Certificates	Manufacturer	Sectors
	MWG	Commercial, Industrial

Dosing Systems Spare Parts

Tank for chemical

- Material in polyethylene (HDPE), suitable for chemical mixing;
- Tanks can be assembled with:
 - -nr.1 metering pump (not included in the dosing system);
 - -nr.1 manual stirrer;
 - -nr.1 feed water valve;
 - -nr.1 outgassing pump hose;
 - -nr.1 outgassing valve (on the higher top side);
 - -nr.1 bleed water valve (on the lower side);
 - -nr.1 suction lance;
- Range temperature = $4 \div 40^{\circ}\text{C}$.



Ref	Description	Fam.	Subfam.		Price Euro
DG420	MWG SPARE CONTAINER 50 LITERS	30	170		181,03
DG422	MWG SPARE CONTAINER 120 LITERS	30	170		227,40
DG424	MWG SPARE CONTAINER 250 LITERS	30	170		474,47

Ref	Chemical Load Diameter (mm)	A (mm)	A1 Feed water valve height (mm)	C (mm)	C1 (mm)	D (mm)
DG420	95	505	425	420	420	420
DG422	120	735	650	475	485	495
DG424	120	850	780	610	610	610

Certificates	Manufacturer	Sectors
	MWG	Commercial, Industrial

UV sterilizers MWG



Residential U.V. Sterilizers Inox



- Monolamp U.V. sterilizer of close construction in AISI 304 polished material for point-of-use treatment devices;
- Complete with n.2 diameter 2" fixing clips and with n.2 JACO ¼" elbows;
- Power box with electronic circuit, cable and plug;
- Failure led and alarm system;
- Lamp quartz sheath;
- Max operating pressure 7 bar;
- Temperature 2 ÷ 40°C;
- Power supply 230 V - 50 Hz;
- Irradiation > 30 mJ/cm²;
- Lamp life 8.000 hours;
- Protection class IP42;
- Horizontal installation (only HA300 can be installed in vertical position).

Ref	Description	Fam.	Subfam.		Price Euro
HA300	MWG UV STERILIZER HR-60 220V-50HZ 1/4" BSP M	55	250		139,62
HA302	MWG UV STERILIZER PC-1 10WATT 220V-50HZ -1/4" BSPM	55	250		136,94

Ref	Max flow (l/h)	Power (W)	Connections	Diameter (mm)	Length (mm)
HA300	240	10	¼" BSP M	50,8	260
HA302	240	10	¼" BSP M	50,8	268

Box: WxLxH	Box: Q.ty	Box: Weight	Pallet: WxLxH	Pallet: Q.ty	Pallet: Weight

Certificates	Manufacturer	Sectors
DM174-2004, ACS, CE	MWG	Domestic

Residential U.V. Sterilizers W Series



- To be used for residential water disinfection systems;
- Monolamp U.V. sterilizer of close construction in AISI 304 polished material;
- Power box with electronic circuit, cable and plug;
- Failure led and alarm system;
- Lamp quartz sheath;
- Max operating pressure 7 bar;
- Temperature 2 ÷ 40°C;
- Power supply 230 V - 50 Hz;
- Irradiation > 30 mJ/cm²;
- Lamp life 10.000 hours;
- Protection class IP42;
- Horizontal installation.

Ref	Description	Fam.	Subfam.		Price Euro
HA310	MWG UV STERILIZER W-180 220V-50HZ 15W - 1/2" BSP M	55	250		198,44
HA315	MWG UV STERILIZER W-360 220V-50HZ 21W-1/2" BSP M	55	250		336,12
HA320	MWG UV STERILIZER W-480 220V-50HZ 29W-1/2" BSP M	55	250		402,76
HA325	MWG UV STERILIZER W-720 220V-50HZ 40W - 3/4" BSP M	55	250		473,86

Ref	Max flow (l/h)	N. Lamps	Power (W)	Diameter (mm)	Length (mm)
HA310	680	1	15	63,5	364
HA315	1360	1	21	63,5	544
HA320	1810	1	29	63,5	694
HA325	2720	1	40	63,5	924

Ref	Box: WxLxH.	Box: Q.ty	Box: Weight.	Pallet: WxLxH.	Pallet: Q.ty	Pallet: Weight.
HA310						
HA315						
HA320						
HA325						

Certificates	Manufacturer	Sectors
DM174-2004, ACS, CE	MWG	Domestic

Industrial U.V. Sterilizers FC Series



- To be used for commercial and industrial water disinfection systems;
- Monolamp U.V. sterilizer with polished AISI 304 sterilizing chamber with inspection window and drain connection;
- Electric box with electronic circuit, connection cable, operating time meter and switch;
- Operating and failure led, with alarm system (excepted models FC-35 and FC-45);
- Lamp quartz sheath;
- Max operating pressure 7 bar, temperature $2 \pm 40^{\circ}\text{C}$;
- Power supply 230 V - 50 Hz, irradiation $> 40 \text{ mJ/cm}^2$, lamp life 10.000 hours;
- Protection class IP43;
- Possibility of connection with shut down solenoid valve (only for models FC-35 and FC-45);
- Horizontal installation.

Ref	Description	Fam.	Subfam.		Price Euro
HA350	MWG UV STERILIZER FC-8 220V-50HZ 29W - 3/4" BSP M	55	251		895,97
HA355	MWG UV STERILIZER FC-12 220V-50HZ 40W - 1" BSP M	55	251		1088,50
HA360	MWG UV STERILIZER FC-15 220V-50HZ 65W - 1" BSP M	55	251		1196,55
HA365	MWG UV STERILIZER FC-20 220V-50HZ 65W-1 1/2" BSP M	55	251		1492,78
HA370	MWG UV STERILIZER FC-24 220V-50HZ 85W - 1 1/2" BSPM	55	251		1569,77
HA375	MWG UV SERILIZER FC-35 220V-50HZ 100W-2" BSP M	55	251		2354,67
HA380	MWG UV STERILIZER FC-45 220V-50HZ 120W - 2" BSP M	55	251		2428,70

Ref	AISI	Max Flow (l/h)	Power (W)	Connections	Diameter (mm)	Lenght (mm)
HA350	304	1.810	29	3/4" BSP M	114	710
HA355	304	2.720	40	1" BSP M	133	940
HA360	304	3.400	65	1" BSP M	133	940
HA365	304	4.536	65	1" 1/2 BSP M	160	940
HA370	304	5.443	85	1" 1/2 BSP M	160	940
HA375	304	7.938	100	2" BSP M	160	1.235
HA380	304	10.200	120	2" BSP M	160	1.235

Ref	Box: WxLxH.	Box: Q.ty	Box: Weight.	Pallet: WxLxH.	Pallet: Q.ty	Pallet: Weight.
HA350						
HA355						
HA360						
HA365						
HA370						
HA375						
HA380						

Certificates	Manufacturer	Sectors
DM174-2004 CE	MWG	Commercial, Industrial

Industrial Flanged Multilamp U.V. Sterilizers FC-D Series



- To be used for industrial water disinfection systems;
- Multilamp U.V. sterilizer with polished AISI 304 sterilizing chamber with inspection window and drain connection;
- Electric box with electronic circuit, connection cable, operating time meter and switch;
- Operating and service/failure led;
- Lamp quartz sheath;
- Max operating pressure 7 bar;
- Temperature 2 ÷ 40°C;
- Power supply 230 V - 50 Hz;
- Irradiation > 40 mj/cm2;
- Lamp life 10.000 hours;
- Protection class IP43;
- Possibility of connection with Shut down solenoid valve;
- Horizontal installation.

Ref	Description	Fam.	Subfam.		Price Euro
HA400	MWG UV STERILIZER FC-70D 220V-50HZ 2x100W - DN50	55	252		4097,75
HA410	MWG UV STERILIZER FC-120D 220V-50HZ 3x120W - DN65	55	252		6530,95
HA420	MWG UV STERILIZER FC-180D 220V-50HZ 5x120W - DN80	55	252		8167,39
HA430	MWG UV STERILIZER FC-250D 220V-50HZ 7x120W - DN100	55	252		10448,05

Ref	AISI	Max flow (l/h)	N. Lamps	Power (w)	Connect.	Diameter (mm)	Lenght (mm)
HA400	304	15.900	2	200	DN50 Flangiata	220	1.250
HA410	304	27.250	3	360	DN65 Flangiata	273	1.250
HA420	304	40.880	5	600	DN80 Flangiata	323	1.250
HA430	304	56.780	7	840	DN100 Flangiata	400	1.250

Ref	Box: WxLxH.	Box: Q.ty	Box: Weight.	Pallet: WxLxH.	Pallet: Q.ty	Pallet: Weight.
HA400						
HA410						
HA420						
HA430						

Certificates	Manufacturer	Sectors
DM174-2004 CE	MWG	Industrial

U.V. Sterilizers HR - PC - W - FC - FC/D Spare Parts



Ref	Description	Fam.	Subfam.		Price Euro
HA500	UV LAMP - T5L10W D=18 L=219 MM	55	255		42,92
HA502	UV LAMP - T5L15W D=18 L=310 MM	55	255		76,25
HA504	UV LAMP - T5L21W D=18 L=444 MM	55	255		83,13
HA506	UV LAMP - T5L29W D=18 L=630 MM	55	255		86,81
HA508	UV LAMP - T5L40W D=18 L=850 MM	55	255		96,36
HA510	UV LAMP - T5L65W D=18 L=850 MM	55	255		117,14
HA512	UV LAMP - T5L85W D=18 L=850 MM	55	255		124,24
HA514	UV LAMP - T6L100W D=23 L=1160 MM	55	255		145,07
HA516	UV LAMP - T6L120W D=18 L=1150 MM	55	255		145,07
HA530	QUARTZ D=24,5 X L=250 MM ONE OPEN END	55	255		18,27
HA531	QUARTZ D=24,5 X L=250 MM	55	255		19,38
HA532	QUARTZ D=24,5 X L=350 MM	55	255		23,78
HA534	QUARTZ D=24,5 X L=530 MM	55	255		31,14
HA536	QUARTZ D=24,5 X L=680 MM	55	255		39,64
HA538	QUARTZ D=24,5 X L=910 MM	55	255		52,78
HA540	QUARZ D=30,0 X L=910 MM	55	255		84,34
HA542	QUARZ D=30,0 X L=1205 MM	55	255		97,82
HA550	SILICONE O-RING FOR QUARTZ SHEATH D.24,5 MM	55	255		3,48
HA550A	VITON O-RING FOR QUARTZ SHEATH D. 24,5 MM	55	255		4,29
HA552A	VITON O-RING FOR QUARTZ SHEATH D. 30,0 MM	55	255		26,83
HA560	MWG ELECTRONIC BALLAST UVC-1021,230V 50-60HZ FOR LAMP 10-21W	55	255		59,19
HA562	MWG ELECTRONIC BALLAST UVC-2040,230V 50-60HZ FOR LAMP 29- 40W	55	255		136,22
HA563	MWG ELECTRONIC BALLAST UVC-2040,230V 50-60HZ INSIDE Q.E. FOR LAMP 29-40W	55	255		136,22
HA564	MWG ELECTRONIC BALLAST UVC-6585,230V 50-60HZ INSIDE Q.E. FOR LAMP 65-80W	55	255		167,37
HA566	MWG ELECTRONIC BALLAST UV12 100-240 V/50HZ 90-155WSINGLE-LAMP	55	255		444,29
HA570	MWG COMPLETE CONTROL BOX FC-8-12	55	255		227,93
HA572	MWG COMPLETE CONTROL BOX FC-15-20-24	55	255		237,22
HA574	MWG COMPLETE CONTROL BOX FC-35/45	55	255		504,48
HA576	MWG COMPLETE CONTROL BOX FC-70D	55	255		871,61
HA578	MWG COMPLETE CONTROL BOX FC-180D	55	255		1716,76
HA590	PLASTIC END CAP FOR FIXING SHEATH FITTING D.30	55	255		4,78
HA556	ELBOW FITTING PP 1/4" FNTP X 1/4" TUBE	55	255		0,92
HA558	FIXING SHEATH FITTING D.30 MM AISI 304	55	255		57,82
HA559	END CONNECTION NUT FOR W TYPE UV INCLUDED BLACK PLASTIC CAP	55	255		14,11

U.V. Sterilizers HR - PC - W - FC - FC/D Spare Parts

Ref	Sterilizers UV
HA500	HR-60 PC-1
HA502	W-180
HA504	W-360
HA506	W-480 FC-8
HA508	W-720 FC-12
HA510	FC-15 FC-20
HA512	FC-24
HA514	FC-35 2x FC-70D
HA516	FC-45 3x FC-120D 5x FC-180D 7x FC-250D
HA530	HR-60
HA531	PC-1
HA532	W-180
HA534	W-360
HA536	W-480 FC-8
HA538	W-720 FC-12 FC-15
HA540	FC-20 FC-24
HA542	FC-35 FC-45 2x FC-70D 3x FC-120D 5x FC-180D 7x FC-250D
HA550	HR-60 PC-1 W-180 W-360 W-480 W-720
HA550A	FC-8 FC-12 FC-15
HA552A	FC-20 FC-24 FC-35 FC-45 FC-70D FC-120D FC-180D FC-250D
HA560	HR-60 PC-1 W-180 W-360
HA562	W-480 W-720
HA563	FC-8 FC-12
HA564	FC-15 FC-20 FC-24
HA566	FC-35 FC-45 FC-70D FC-120D FC-180D FC-250D
HA570	FC-8 FC-12
HA572	FC-15 FC-20 FC-24
HA574	FC-35 FC-45
HA576	FC-70D
HA578	FC-180D
HA590	W-180 W-360 W-480 W-720 FC-8 FC-12 FC-15 FC-20 FC-24 FC-35 FC-45 FC-70D FC-120D FC-180D FC-250D
HA556	HR-60 PC-1
HA558	FC-20 FC-24 FC-35 FC-45 FC-70D FC-120D FC-180D FC-250D
HA559	W-180 W-360 W-480 W-720

**Filter housings, cartridges and
polyphosphate feeders
MWG**





PP String Wound Filtering Cartridges

- string wound filtering cartridges with core;
- string and core in polypropylene;
- double/triple retention capacity than a compact structure cartridge;
- dimensions external diameter 60 mm, internal diameter 28 mm;
- nominal length 10" or 20";
- suggested filtering flow rate for 10" length: 18÷24 lpm;
- max filtering flow rate for 20" length : 30 lpm;
- max ΔP recommended 1 bar;
- max operating temperature = 60°C.

Ref	Description	Fam.	Subfam.		Price Euro
FC100	MWG STRING WOUND CARTRIDGE DLSW-10-01 (9-7/8")	40	100		3,63
FC101	MWG STRING WOUND CARTRIDGE DLSW-10-05 (9-7/8")	40	100		3,55
FC102	MWG STRING WOUND CARTRIDGE DLSW-10-10 (9-7/8")	40	100		3,53
FC103	MWG STRING WOUND CARTRIDGE DLSW-10-20 (9-7/8")	40	100		3,52
FC104	MWG STRING WOUND CARTRIDGE DLSW-10-50 (9-7/8")	40	100		3,52
FC105	MWG STRING WOUND CARTRIDGE DLSW-10-100 (9-7/8")	40	100		3,55
FC110	MWG STRING WOUND CARTRIDGE DLSW-20-01	40	100		7,30
FC111	MWG STRING WOUND CARTRIDGE DLSW-20-05	40	100		7,16
FC112	MWG STRING WOUND CARTRIDGE DLSW-20-10	40	100		7,15
FC113	MWG STRING WOUND CARTRIDGE DLSW-20-20	40	100		7,04
FC114	MWG STRING WOUND CARTRIDGE DLSW-20-50	40	100		7,04
FC115	MWG STRING WOUND CARTRIDGE DLSW-20-100	40	100		7,04

Ref	Lenght Nominal (inch)	Lenght (mm)	(micron)
FC100	10"	251	1
FC101	10"	251	5
FC102	10"	251	10
FC103	10"	251	20
FC104	10"	251	50
FC105	10"	251	100
FC110	20"	505	1
FC111	20"	505	5
FC112	20"	505	10
FC113	20"	505	20
FC114	20"	505	50
FC115	20"	505	100

Certificates	Manufacturer	Sectors
DM174-2004	MWG	Domestic, Commercial, Industrial



Melt Blown Filtering Cartridges

- Thermowelded polypropylene fibers cartridges with no lubricants or antistatic additives;
- Any migration into the filtered water;
- Wide chemical compatibility;
- High retention capacity & filtration efficiency multilayer structure;
- Filtration efficiency 96 % minimum;
- High retention capacity extends cartridge life;
- External diameter 63 mm, internal 28 mm;
- Nominal length: 10" - 20" - 30" - 40".
- Suggested filtration flow rate for 10" length: 15 ÷ 20 lpm;
- Max filtration flow rate for 40" length: 60 lpm;
- Max ΔP recommended 1,4 bar;
- Max operating temperature = 80°C.



Ref	Description	Fam.	Subfam.		Price Euro
FC050	MELT BLOWN CARTRIDGE DLPP-01-10 (9.7/8")	40	100		2,56
FC051	MELT BLOWN CARTRIDGE DLPP-05-10 (9.7/8")	40	100		2,50
FC052	MELT BLOWN CARTRIDGE DLPP-10-10 (9.7/8")	40	100		2,46
FC053	MELT BLOWN CARTRIDGE DLPP-20-10 (9.7/8")	40	100		2,42
FC054	MELT BLOWN CARTRIDGE DLPP-30-10 (9.7/8")	40	100		2,37
FC055	MELT BLOWN CARTRIDGE DLPP-50-10 (9.7/8")	40	100		2,34
FC060	MELT BLOWN CARTRIDGE DLPP-01-20	40	100		5,15
FC061	MELT BLOWN CARTRIDGE DLPP-05-20	40	100		5,06
FC062	MELT BLOWN CARTRIDGE DLPP-10-20	40	100		4,97
FC063	MELT BLOWN CARTRIDGE DLPP-20-20	40	100		4,87
FC064	MELT BLOWN CARTRIDGE DLPP-30-20	40	100		4,78
FC065	MELT BLOWN CARTRIDGE DLPP-50-20	40	100		4,70
FC070	MELT BLOWN CARTRIDGE DLPP-01-30	40	100		7,73
FC071	MELT BLOWN CARTRIDGE DLPP-05-30	40	100		7,59
FC072	MELT BLOWN CARTRIDGE DLPP-10-30	40	100		7,46
FC073	MELT BLOWN CARTRIDGE DLPP-20-30	40	100		7,33
FC074	MELT BLOWN CARTRIDGE DLPP-30-30	40	100		7,20
FC075	MELT BLOWN CARTRIDGE DLPP-50-30	40	100		7,06
FC080	MELT BLOWN CARTRIDGE DLPP-01-40	40	100		10,33
FC081	MELT BLOWN CARTRIDGE DLPP-05-40	40	100		10,15
FC082	MELT BLOWN CARTRIDGE DLPP-10-40	40	100		9,97
FC083	MELT BLOWN CARTRIDGE DLPP-20-40	40	100		9,77
FC084	MELT BLOWN CARTRIDGE DLPP-30-40	40	100		9,59
FC085	MELT BLOWN CARTRIDGE DLPP-50-40	40	100		9,42



Melt Blown Filtering Cartridges

Ref	Nominal Lenght (inch)	Lenght (mm)	Micron
FC050	10"	251	1
FC051	10"	251	5
FC052	10"	251	10
FC053	10"	251	20
FC054	10"	251	30
FC055	10"	251	50
FC060	20"	505	1
FC061	20"	505	5
FC062	20"	505	10
FC063	20"	505	20
FC064	20"	505	30
FC065	20"	505	50
FC070	30"	764	1
FC071	30"	764	5
FC072	30"	764	10
FC073	30"	764	20
FC074	30"	764	30
FC075	30"	764	50
FC080	40"	1018	1
FC081	40"	1018	5
FC082	40"	1018	10
FC083	40"	1018	20
FC084	40"	1018	30
FC085	40"	1018	50

Box: WxLxH	Box: Q.ty	Box: Weight	Pallet: WxLxH	Pallet: Q.ty	Pallet: Weight

Certificates	Manufacturer	Sectors
DM174-2004		Domestic, Commercial, Industrial



PP Big Sediment Filter Cartridges

- melt-blown polypropylene fibers;
- dimensions 114 mm external diameter;
- dimensions 28 mm internal diameter;
- max working temperature 65°C.



Ref	Description	Fam.	Subfam.		Price Euro
FA038	MELT BLOWN CARTRIDGE BIG DLPPBB-01-10 (9.7/8")	40	105		20,00
FA034	MELT BLOWN CARTRIDGE BIG DLPPBB-05-10 (9.7/8")	40	105		11,50
FA035	MELT BLOWN CARTRIDGE BIG DLPPBB-20-10 (9.7/8")	40	105		10,89
FA036	MELT BLOWN CARTRIDGE BIG DLPPBB-50-10 (9.7/8")	40	105		10,44
FA039	MELT BLOWN CARTRIDGE BIG DLPPBB-01-20	40	105		40,23
FA028	MELT BLOWN CARTRIDGE BIG DLPPBB-05-20	40	105		22,90
FA029	MELT BLOWN CARTRIDGE BIG DLPPBB-20-20	40	105		21,97
FA037	MELT BLOWN CARTRIDGE BIG DLPPBB-50-20	40	105		20,18

Ref	Nominal Length (inch)	Length (mm)	Micron
FA038	10"	251	1
FA034	10"	251	5
FA035	10"	251	20
FA036	10"	251	50
FA039	20"	508	1
FA028	20"	508	5
FA029	20"	508	20
FA037	20"	508	50

Box: WxLxH	Box: Q.ty	Box: Weight	Pallet: WxLxH	Pallet: Q.ty	Pallet: Weight

Certificates	Manufacturer	Sectors
DM174-2004		Domestic, Commercial, Industrial



Purtrex Filtering Cartridges

- in melt-blown polypropylene fibers;
- any microfibers migration in filtered water;
- graduated density from external to internal side improves filter efficiency;
- high retention capacity extends cartridge life;
- external diameter 63 mm, internal 28 mm;
- nominal length 10" - 20" - 30" - 40".
- suggested filtration flow rate for 10" length: 15 ÷ 20 lpm;
- max filtration flow rate for 40" length: 60 lpm;
- max operating temperature = 80°C.



Ref	Description	Fam.	Subfam.		Price Euro
FC010	PURTREX CARTRIDGE PX01-9.7/8"	40	100		4,47
FC011	PURTREX CARTRIDGE PX03-9.7/8"	40	100		4,40
FC012	PURTREX CARTRIDGE PX05-9.7/8"	40	100		4,11
FC013	PURTREX CARTRIDGE PX10-9.7/8"	40	100		3,79
FC014	PURTREX CARTRIDGE PX20-9.7/8"	40	100		3,60
FC015	PURTREX CARTRIDGE PX30-9.7/8"	40	100		3,44
FC016	PURTREX CARTRIDGE PX50-9.7/8"	40	100		3,29
FC017	PURTREX CARTRIDGE PX75-9.7/8"	40	100		3,08
FC020	PURTREX CARTRIDGE PX01-20"	40	100		8,38
FC021	PURTREX CARTRIDGE PX03-20"	40	100		8,03
FC022	PURTREX CARTRIDGE PX05-20"	40	100		7,68
FC023	PURTREX CARTRIDGE PX10-20"	40	100		7,36
FC024	PURTREX CARTRIDGE PX20-20"	40	100		6,95
FC025	PURTREX CARTRIDGE PX30-20"	40	100		6,61
FC026	PURTREX CARTRIDGE PX50-20"	40	100		6,25
FC030	PURTREX CARTRIDGE PX01-30"	40	100		12,54
FC031	PURTREX CARTRIDGE PX03-30"	40	100		12,04
FC032	PURTREX CARTRIDGE PX05-30"	40	100		11,52
FC033	PURTREX CARTRIDGE PX10-30"	40	100		10,97
FC034	PURTREX CARTRIDGE PX20-30"	40	100		10,44
FC035	PURTREX CARTRIDGE PX30-30"	40	100		9,91
FC036	PURTREX CARTRIDGE PX50-30"	40	100		9,43
FC040	PURTREX CARTRIDGE PX01-40"	40	100		16,78
FC041	PURTREX CARTRIDGE PX03-40"	40	100		16,03
FC042	PURTREX CARTRIDGE PX05-40"	40	100		15,35
FC043	PURTREX CARTRIDGE PX10-40"	40	100		14,62
FC044	PURTREX CARTRIDGE PX20-40"	40	100		13,94
FC045	PURTREX CARTRIDGE PX30-40"	40	100		13,26
FC046	PURTREX CARTRIDGE PX50-40"	40	100		12,54



Purtrex Filtering Cartridges

Ref	Nominal Length (inch)	Length (mm)	Micron
FC010	10"	251	1
FC011	10"	251	3
FC012	10"	251	5
FC013	10"	251	10
FC014	10"	251	20
FC015	10"	251	30
FC016	10"	251	50
FC017	10"	251	75
FC020	20"	508	1
FC021	20"	508	3
FC022	20"	508	5
FC023	20"	508	10
FC024	20"	508	20
FC025	20"	508	30
FC026	20"	508	50
FC030	30"	764	1
FC031	30"	764	3
FC032	30"	764	5
FC033	30"	764	10
FC034	30"	764	20
FC035	30"	764	30
FC036	30"	764	50
FC040	40"	1018	1
FC041	40"	1018	3
FC042	40"	1018	5
FC043	40"	1018	10
FC044	40"	1018	20
FC045	40"	1018	30
FC046	40"	1018	50

Box: WxLxH	Box: Q.ty	Box: Weight	Pallet: WxLxH	Pallet: Q.ty	Pallet: Weight

Certificates	Manufacturer	Sectors
DM174-2004 , FDA21 , NSF42		Domestic, Commercial, Industrial



Activated Carbon Filtering Cartridges

Carbon Block End Cap 70

- Extruded activated carbon of Bituminous origin;
- Recommended for pre-filtration applications and for Chlorine removal;
- Dimensions: external diameter = 64 mm; internal diameter = 28 mm; end-cap diameter = 70 mm.
- Max operating temperature = 50 °C.

Ref	Description	Fam.	Subfam.		Price Euro
FA012	CARBON BLOCK CARTRIDGE CBC 5" CTO 1 MICRON	40	105		7,09
FA013	CARBON BLOCK CARTRIDGE EB-CB -9"7/8 CTO 10 MICRON	40	105		5,07
FA014	CARBON BLOCK CARTRIDGE CBC 20" CTO 10 MICRON	40	105		9,82

Ref	Nominal Length (inch)	Length (mm)	Microns	Suggested Flow Rate (l/h)	CAP
FA012	5"	124	1	120	White
FA013	10"	250	10	240	White
FA014	20"	508	10	480	White

Box: WxLxH	Box: Q.ty	Box: Weight	Pallet: WxLxH	Pallet: Q.ty	Pallet: Weight

Certificates	Manufacturer	Sectors
DM174-2004		Domestic, Commercial, Industrial



Carbon Block End Cap 65

- Extruded activated carbon of Bituminous origin.
- Recommended for pre-filtration applications and for Chlorine removal.
- Dimensions: external diameter = 62 mm; internal diameter = 30 mm; end-cap diameter = 65 mm.
- Max operating temperature = 50 °C.

Ref	Description	Fam.	Subfam.		Price Euro
FA018	CARBON BLOCK CARTRIDGE 10" CTO 10 MICRON END CAP65	40	105		5,07
FA019	CARBON BLOCK CARTRIDGE 20" CTO 10 MICRON END CAP65	40	105		9,82

Ref	Nominal Length (inch)	Length (mm)	Micron	Suggested Flow Rate (l/h)	CAP
FA018	10"	249	10	240	White
FA019	20"	508	10	480	White

Box: WxLxH	Box: Q.ty	Box: Weight	Pallet: WxLxH	Pallet: Q.ty	Pallet: Weight

Certificates	Manufacturer	Sectors
DM174-2004		Domestic, Commercial, Industrial





Activated Carbon Filtering Cartridges



Big Carbon Block

- Bituminous carbon block.
- Suitable for pre-filtration applications and for Chlorine removal.
- Dimensions: external diameter = 108 mm (4 1/4"); internal diameter = 25 mm (1) ; end-cap diameter = 113 mm.

Ref	Description	Fam.	Subfam.		Price Euro
FA016	CARBON BLOCK CARTRIDGE CBC 10" BIG CTO 5 MICRON	40	105		15,76
FA015	CARBON BLOCK CARTRIDGE CBC 20" BIG CTO 5 MICRON	40	105		31,53

Ref	Nominal Length (inch)	Length (mm)	Micron	Suggested Flow Rate(l/h)
FA016	10"	254	5	800
FA015	20"	508	5	1600

Box: WxLxH	Box: Q.ty	Box: Weight	Pallet: WxLxH	Pallet: Q.ty	Pallet: Weight

Certificates	Manufacturer	Sectors
DM174-2004		Domestic, Commercial, Industrial

Granular activated carbon

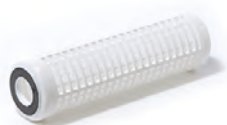
- PE container cartridge empty or with granular activated carbon;
- external diameter 72 mm;
- nominal length 10";
- length 256 mm.



Ref	Description	Fam.	Subfam.		Price Euro
FA007	GAC CARTRIDGE 10N 9" 7/8 VEGETAL	40	105		14,37
FA008	EMPTY CARTRIDGE 10N 9" 7/8	40	105		5,44

Box: WxLxH	Box: Q.ty	Box: Weight	Pallet: WxLxH	Pallet: Q.ty	Pallet: Weight

Certificates	Manufacturer	Sectors
		Domestic, Commercial, Industrial



DOE Polyester Filtering Cartridges for MT, MD & OTS Housings

- Washable, with filtration degree 50 micron;
- External diameter 70 mm, internal 30 mm;
- Max operating temperature 45°C.

Ref	Description	Fam.	Subfam.		Price Euro
FARP1050	MWG 10" CARTRIDGE POLYESTER WASHABLE NET 50 MICRON	40	105		12,58
FARP2050	MWG 20" CARTRIDGE POLYESTER WASHABLE NET 50 MICRON	40	105		26,42

Ref	Nominal Length (inch)	Length (mm)
FARP1050	10"	250
FARP2050	20"	505

Box: WxLxH	Box: Q.ty	Box: Weight	Pallet: WxLxH	Pallet: Q.ty	Pallet: Weight

Certificates	Manufacturer	Sectors
DM174-2004 ACS	MWG	Domestic



DOE Nylon Filtering Cartridges for OTS Housings

- Washable, with filtration degree 60 micron;
- External diameter 62 mm, internal 27 mm.

Ref	Description	Fam.	Subfam.		Price Euro
FA067	WASHABLE CARTRIDGE NYLON NL 60-9	40	105		11,60
FA068	WASHABLE NYLON CARTRIDGE NL 60-20	40	105		22,81

Ref	Nominal Length (pollici)	Length (mm)
FA067	10"	248
FA068	20"	505

Box: WxLxH	Box: Q.ty	Box: Weight	Pallet: WxLxH	Pallet: Q.ty	Pallet: Weight

Certificates	Manufacturer	Sectors
DM174-2004		Domestic, Commercial, Industrial



OR22 Nylon Filtering Cartridges for OTS Housings

- Washable, with filtration degree 60 micron;
- To fit into OTS brass head housings 1 ¼" - 1 ½" - 2" models;
- External diameter 61 mm;
- With 222 O-rings;
- Max ΔP recommended 1,4 bar.

Ref	Description	Fam.	Subfam.		Price Euro
FB067	WASHABLE NYLON CARTRIDGE 60 MICRON OTS 10" - OR22	40	105		11,89
FB068	WASHABLE CARTRIDGE NYLON 60 MICRON OTS 20" - OR22	40	105		32,69

Ref	Nominal Length (inch)	Length (mm)	Flow Δp=0,2 bar (l/h)
FB067	10"	250	1800
FB068	20"	505	3600

Box: WxLxH	Box: Q.ty	Box: Weight	Pallet: WxLxH	Pallet: Q.ty	Pallet: Weight

Certificates	Manufacturer	Sectors
DM174-2004 ACS		Domestic, Commercial


FAAP1050
FAAL1070


AISI 316 Filtering DOE Cartridges for Hot Water

- Washable and suitable for MWG Hot Water Filter Housings on catalog;
- Dimensions external diameter 70 mm, internal 30 mm;
- Nominal Length 10" (= 250 mm) and 20" (= 505 mm);
- Range temperature 4 - 80°C.

Ref	Description	Fam.	Subfam.		Price Euro
FAAP1050	MWG AISI 316 PLEATED CARTRIDGE 10"-50 MICRON	40	105		95,09
FAAL1070	MWG AISI 316 SMOOTH CARTRIDGE 10"-70 MICRON	40	105		61,10
FAAP2050	MWG AISI 316 PLEATED CARTRIDGE 20" - 50 MICRON	40	105		134,49
FAAL2070	MWG AISI 316 SMOOTH CARTRIDGE L=20"-70 MICRON	40	105		101,36

Box: WxLxH	Box: Q.ty	Box: Weight	Pallet: WxLxH	Pallet: Q.ty	Pallet: Weight

Certificates	Manufacturer	Sectors
DM174-2004 ACS	MWG	Domestic, Commercial, Industrial



Wound Polypropylene Cartridge with AISI 316 Core for Hot Water Filters

- To install with our Hot Water Filters on catalogue;
- dimensions external diameter 60 mm, internal 27 mm;
- length 250 mm, nominal length 10";
- max operating temperature 80°C.

Ref	Description	Fam.	Subfam.		Price Euro
FA071	MWG STRING WOUND CARTRIDGE AISI 316 CORE DLSW5-975	40	105		10,97
FA072	MWG STRING WOUND CARTRIDGE AISI316 CORE DLSW10-975	40	105		10,97
FA073	MWG STRING WOUND CARTRIDGE AISI316 CORE DLSW20-975	40	105		10,40
FA074	MWG STRING WOUND CARTRID. AISI316 CORE DLSW50-975E	40	105		10,40

Ref	Description	Micron
FA071	MWG STRING WOUND CARTRIDGE AISI 316 CORE DLSW5-975	5
FA072	MWG STRING WOUND CARTRIDGE AISI316 CORE DLSW10-975	10
FA073	MWG STRING WOUND CARTRIDGE AISI316 CORE DLSW20-975	20
FA074	MWG STRING WOUND CARTRID. AISI316 CORE DLSW50-975E	50

Certificates	Manufacturer	Sectors
DM174-2004	MWG	Domestic, Commercial, Industrial



Filtering Cartridges

Empty Cartridges



- plastic empty cartridge;
- external diameter 70 mm;
- useful to fill with polyphosphate crystals - activated carbon - resins.

Ref	Description	Fam.	Subfam.		Price Euro
FAVP10	MWG EMPTY CARTRIDGE 10"	40	105		7,78
FAVP20	MWG EMPTY CARTRIDGE 20"	40	105		27,23

Ref	Nominal Length (inch)	Length (mm)	Volume (Liters)
FAVP10	10"	252	0,6
FAVP20	20"	510	1,2

Box: WxLxH	Box: Q.ty	Box: Weight	Pallet: WxLxH	Pallet: Q.ty	Pallet: Weight

Certificates	Manufacturer	Sectors
DM174-2004	MWG	Domestic

Anti-scale Cartridges with Polyphosphate Crystals.



- Plastic cartridge;
- External diameter 70 mm;
- Shipped with polyphosphate crystals 10 ÷ 20 mm;
- Maximum temperature = 35°C;
- Maximum total hardness = 50°f (500 ppm CaCO₃) ;
- The polyphosphate complies with the standard UNI EN 1208:2005.

Ref	Description	Fam.	Subfam.		Price Euro
FAPP1012	MWG 10" CARTRIDGE WITH 10-20 MM POLYPH. CRYSTALS	40	105		32,06
FAPP2012	MWG 20" CARTRIDGE WITH 10-20 MM POLYPH. CRYSTALS	40	105		62,99

Ref	Nominal Length (inch)	Length (mm)
FAPP1012	10"	252
FAPP2012	20"	510

Box: WxLxH	Box: Q.ty	Box: Weight	Pallet: WxLxH	Pallet: Q.ty	Pallet: Weight

Certificates	Manufacturer	Sectors
	MWG	Domestic, Commercial, Industrial

PP Melt Blown 5" Filtering Cartridge

- melt blown polypropylene fibers cartridge; dimensions external diameter 64 mm, internal 25 mm.

Ref	Description	Fam.	Subfam.		Price Euro
FA021	IN FIBER CARTRIDGE PP 5" SED 5 MICRON	40	105		3,36

Ref	Nominal Length (inch)	Length (mm)	Micron
FA021	5"	126	5

Box: WxLxH	Box: Q.ty	Box: Weight	Pallet: WxLxH	Pallet: Q.ty	Pallet: Weight

Certificates	Manufacturer	Sectors
		Domestic, Commercial, Industrial



MM Mini Three Pieces Filter Housings



- Made in European Union (Italy);
- Suitable for MINI filtering cartridges 5" length;
- Head and nut material ABS blue colour;
- IN/OUT connections 1/2" with brass inserts;
- Sump in SAN clear and O-ring in EPDM material;
- Max operating pressure 8 bar;
- Temperature range = 4 ÷ 45°C.

Ref	Description	Fam.	Subfam.		Price Euro
FBMM0505T	MWG MINI FILTER HOUSING 1/2" - L=5" CLEAR BOWL	40	106		15,77

Box: WxLxH	Box: Q.ty	Box: Weight	Pallet: WxLxH	Pallet: Q.ty	Pallet: Weight

Certificates	Manufacturer	Sectors
DM174-2004 DM25-2012 ACS	MWG	Domestic, Commercial

Cartridges to coupling, MINI Wound PP Thread Filtering Cartridge

- Filtering degree 25 micron;
- Dimensions external diameter 45 mm, internal 18 mm;
- Length 5" (= 122 mm).

Ref	Description	Fam.	Subfam.		Price Euro
FAMM0525	MWG 5" MINI CARTRIDGE PP WOUND THREAD 25 MICRON	40	105		2,07

Box: WxLxH	Box: Q.ty	Box: Weight	Pallet: WxLxH	Pallet: Q.ty	Pallet: Weight

Certificates	Manufacturer	Sectors
DM174-2004 ACS	MWG	Domestic

Washable MINI Filtering Cartridge with Net in Polyester

- Washable MINI cartridge in Polyester;
- Filtering degree 50 micron;
- Dimensions external diameter 50 mm, internal 20 mm;
- Length 5" (= 122 mm).

Ref	Description	Fam.	Subfam.		Price Euro
FAMM0550	MWG 5" MINI CARTRIDGE POLYESTER WASHABLE NET 50 MICRON	40	105		4,83

Box: WxLxH	Box: Q.ty	Box: Weight	Pallet: WxLxH	Pallet: Q.ty	Pallet: Weight

Certificates	Manufacturer	Sectors
DM174-2004 ACS	MWG	Domestic

Accessories

Ref	Description	Fam.	Subfam.		Price Euro
FBMMR11	MWG PLASTIC SPANNER FOR FILTER MM	40	106		2,28
FBMMR41	MWG DIFFUSER TUBE 5" FOR FILTER MM	40	106		1,26
FBMDR31	MWG PLASTIC NIPPLE 3/4" BSPP W/O-RING FOR FILTER MD/MM/MT	40	106		1,14



Residential Cintropur Filters



- range of filters for drinking water entirely made in synthetic material;
- the particular centrifugal effect causes the precipitation of larger particles, while the final filtration is assured by the filter sleeve;
- the filters include the sleeve at 25 micron;
- also available sleeves at 1, 10, 50 and 100 micron as spare parts;
- wrench and two complete connections included;
- max operating pressure 10 bar;
- max operating temperature 50°C.

Ref	Description	Fam.	Subfam.		Price Euro
FB400	FILTER CINTROPUR NW18-3/4" - 25 MICRON	40	113		117,24
FB401	FILTER CINTROPUR NW 25-3/4" - 25 MICRON	40	113		142,15
FB402	FILTER CINTROPUR NW 25-1" - 25 MICRON	40	113		142,15
FB403	FILTER CINTROPUR NW 32-1"1/4 - 25 MICRON	40	113		198,57

Ref	Connections	Flow m ³ /h Δp 0,2 bar	Height (mm)	Width (mm)
FB400	3/4"	3,5	240	270
FB401	3/4"	5,5	355	270
FB402	1"	5,5	355	270
FB403	1 1/4"	6,5	540	270

Box: WxLxH	Box: Q.ty	Box: Weight	Pallet: WxLxH	Pallet: Q.ty	Pallet: Weight

Certificates	Manufacturer	Sectors
DM174-2004 ACS	Cintropur	Domestic, Commercial

Accessories and spare parts

Ref	Description	Fam.	Subfam.		Price Euro
FB470	SPANNER NW18/25/32 REF. 21	40	112		5,30
FB472	MANOMETER 1/8" SCALE 0-10 BAR NW 18/25/32 REF 23	40	112		21,42
FB473	SINGLE PP MOUNTING BRACKET NW18/25/32 REF. 24	40	112		19,96
FB444	N. 5 SPARE SLEEVES KIT 1 MICRON NW 25	40	112		26,22
FB426	N. 5 SPARE SLEEVES KIT 10 MICRONS NW 25	40	112		21,73
FB427	N. 5 SPARE SLEEVES KIT 25 MICRONS NW 25	40	112		18,46
FB428	N. 5 SPARE SLEEVES KIT 50 MICRONS NW 25	40	112		18,99
FB429	N. 5 SPARE SLEEVES KIT 100 MICRONS NW 25	40	112		18,72
FB445	N. 5 SPARE SLEEVES KIT 1 MICRON NW 32	40	112		36,70
FB433	N. 5 SPARE SLEEVES KIT 25 MICRONS NW 32	40	112		26,38
FB434	N. 5 SPARE SLEEVES KIT 50 MICRONS NW 32	40	112		28,20
FB435	N. 5 SPARE SLEEVES KIT 100 MICRONS NW 32	40	112		22,54



Commercial Cintropur Filters



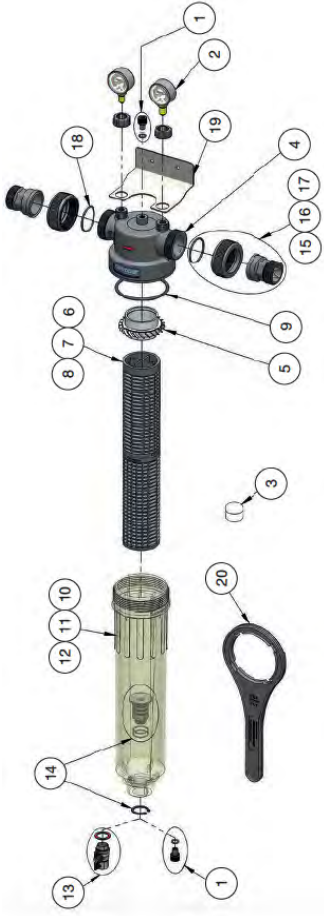
- range of filters for drinking water entirely made in synthetic material;
- the particular centrifugal effect causes the precipitation of larger particles, while the final filtration is assured by the filter sleeve;
- the filters include the sleeve at 25 micron;
- also available sleeves at 1, 5, 10, 50, 100, 150 and 300 micron as spare parts;
- wrench, pressure gauge and drain cock included;
- max operating pressure 10 bar;
- max pressure 16 bar;
- max operating temperature 50°C.

Ref	Description	Fam.	Subfam.		Price Euro
FB404	FILTER CINTROPUR NW 280-1" - 25 MICRON	40	113		328,59
FB405	FILTER CINTROPUR NW 340-1"1/4 - 25 MICRON	40	113		366,37
FB406	FILTER CINTROPUR NW 400-1,5" - 25 MICRON	40	113		429,51

Ref	Flow m ³ /h Δp 0,2 bar	Weight (kg)	Connections	Ø Pipe	Total Width (mm)	Total Height (mm)
FB404	7	2,2	1" BSPT	1"	284	472
FB405	10	2,7	1¼"BSPT	1 ¼"	284	573
FB406	12	2,9	1½"BSPT	1 ½"	284	675

Box: WxLxH	Box: Q.ty	Box: Weight	Pallet: WxLxH	Pallet: Q.ty	Pallet: Weight

Certificates	Manufacturer	Sectors
DM174-2004 ACS	Cintropur	Commercial



Rif.	Ref	Description	Fam.	Subfam.		Price Euro
7	FB453C	NW340 PVC FILTERING SUPPORT ARMOR	40	112		43,38
20	FB479C	NW280-340-400 WRENCH	40	112		14,18
Not sh.	FB437C	N. 5 SPARE SLEEVES KIT 5 MICRON NW 280	40	112		28,35
Not sh.	FB440C	N. 5 SPARE SLEEVES KIT 50 MICRON NW 280	40	112		24,80
Not sh.	FB440D	N. 5 SPARE SLEEVES KIT 50 MICRON NW 340	40	112		38,08
Not sh.	FB441D	N. 5 SPARE SLEEVES KIT 100 MICRON NW 340	40	112		38,08
Not sh.	FB443D	N. 5 SPARE SLEEVES KIT 300 MICRON WASHABLE NW 340	40	112		108,44
Not sh.	FB439E	N. 5 SPARE SLEEVES KIT 25 MICRON NW 400	40	112		44,72
Not sh.	FB440E	N. 5 SPARE SLEEVES KIT 50 MICRON NW 400	40	112		46,92
Not sh.	FB441E	N. 5 SPARE SLEEVES KIT 100 MICRON NW 400	40	112		48,26



Industrial Cintropur Filters



- range of filters for drinking water entirely made in synthetic material;
- the particular centrifugal effect causes the precipitation of larger particles, while the final filtration is assured by the filter sleeve;
- the filters include the sleeve at 25 micron;
- also available sleeves at 5, 10, 50, 100, 150 and 300 micron as spare parts;
- wrench, pressure gauge and drain cock included;
- max operating pressure 10 bar;
- max pressure 16 bar;
- max operating temperature 50°C.

Ref	Description	Fam.	Subfam.		Price Euro
FB408A	FILTER CINTROPUR NW 500-2" - 25 MICRON	40	113		653,80
FB408TE	FILTER CINTROPUR NW 500 - 2" - TE	40	113		706,14
FB409A	FILTER CINTROPUR NW 650-2"1/2 - 25 MICRON	40	113		749,50
FB410A	FILTER CINTROPUR NW 800-3" - 25 MICRON	40	113		914,01

Ref	Flow m ³ /h con Δp 0,2 bar	Weight (kg)	Connections	Ø Pipe	Total Height (mm)	Total Width (mm)
FB408A	18	6,4	2" BSPT	2"	363	770
FB408TE	2	6,4	2" BSPT	2"	363	770
FB409A	25	7,0	DN65	2 1/2"	304	770
FB410A	32	7,4	DN80	3"	313	770

Box: WxLxH	Box: Q.ty	Box: Weight	Pallet: WxLxH	Pallet: Q.ty	Pallet: Weight

Certificates	Manufacturer	Sectors
DM174-2004 ACS	Cintropur	Commercial, Industrial



Industrial Cintropur Filters

Spare Parts and Accessories



Rif. N.	Ref	Description	Fam.	Subfam.		Price Euro
53	FB484A	SUPPORT ARMOR NW500/650/800 REF.53	40	112		55,35
62	FB479	SPANNER NW500/650/800 REF. 62	40	112		21,91
Not shown	FB437	N. 5 SPARE SLEEVES KIT 5 MICRONS NW 50/62/75/500/650/800	40	112		58,79
Not shown	FB438	N. 5 SPARE SLEEVES KIT 10 MICRONS NW 50/62/75/500/650/800	40	112		56,17
Not shown	FB439	N. 5 SPARE SLEEVES KIT 25 MICRONS NW 50/62/75/500/650/800	40	112		36,95
Not shown	FB440	N. 5 SPARE SLEEVES KIT 50 MICRONS NW 50/62/75/500/650/800	40	112		39,31
Not shown	FB441	N. 5 SPARE SLEEVES KIT 100 MICRONS NW 50/62/75/500/650/800	40	112		34,80
Not shown	FB442	N. 5 SPARE SLEEVES KIT WASHABLE 150 MICRONS NW 50/62/75/500/650/800	40	112		160,99
Not shown	FB443	N. 5 SPARE SLEEVES KIT WASHABLE 300 MICRONS NW 50/62/75/500/650/800	40	112		157,14



MD Two Pieces Filter Housings IN/OUT connections 3/4"



- Made in European Union (Italy);
- Two pieces filter housings for standard filtering cartridges length 5", 10" or 20";
- Fixable head in material PP reinforced blue colour;
- Sump in PET;
- O-ring in EPDM;
- IN/OUT connections 3/4" BSPP F;
- With air valve;
- Max operating pressure 8 bar;
- Temperature 4 ÷ 45°C.

Ref	Description	Fam.	Subfam.		Price Euro
FBMD0507B	MWG TWO PIECES FILTER HOUSING 3/4" - L=5" BLUE BOWL	40	106		19,11
FBMD1007T	MWG TWO PIECES FILTER HOUSING 3/4" - L=10" CLEAR BOWL	40	106		23,02
FBMD1007B	MWG TWO PIECES FILTER HOUSING 3/4" - L=10" BLUE BOWL	40	106		20,72
FBMD2007T	MWG TWO PIECES FILTER HOUSING 3/4" - L=20" CLEAR BOWL	40	106		71,82
FBMD2007B	MWG TWO PIECES FILTER HOUSING 3/4" - L=20" BLUE BOWL	40	106		54,58

Ref	Head Dimension (mm)	Total Length (mm)
FBMD0507B	122	185
FBMD1007T	122	325
FBMD1007B	122	325
FBMD2007T	122	577
FBMD2007B	122	577

Box: WxLxH	Box: Q.ty	Box: Weight	Pallet: WxLxH	Pallet: Q.ty	Pallet: Weight

Certificates	Manufacturer	Sectors
DM174-2004 DM25-2012 ACS	MWG	Domestic, Commercial

Spare Parts and Accessories

Ref	Description	Fam.	Subfam.		Price Euro
FBMDR11	MWG PLASTIC SPANNER FOR FILTER MD	40	106		1,61
FBMDR21	MWG BLUE PLASTIC BRACKET WITH SCREWS FOR FILTER MDAND MT	40	106		2,36
FBMDR31	MWG PLASTIC NIPPLE 3/4" BSPP W/O-RING FOR FILTER MD/MM/MT	40	106		1,14
FBMDR52	BLUE HEAD FOR MD 3/4" BSPP FILTER HOUSING	40	106		7,09
FBMDR61	MWG BOWL BLUE 10" FOR MD FILTER HOUSINGS + O-RING	40	106		15,25
FBMDR65	BOWL BLUE 20" FOR MD FILTER HOUSINGS + O-RING	40	106		33,23
FBMDR66	MWG BOWL CLEAR 20" FOR MD FILTER HOUSINGS + O-RING	40	106		41,41
FBMDR71	MWG O-RING FOR HEAD MD FILTER HOUSINGS	40	106		0,77
FBMDR91	MWG BREATHER-VALVE WITH O-RING FOR HEAD MD FILTERHOUSING	40	106		0,42



BG Plastic BIG Filter Housings



- Made in European Union (Italy);
- Suitable for 4 1/2" diameter DOE high flow cartridges;
- Fixable head;
- Material in PP;
- O-ring in EPDM;
- complete with air valve
- Max operating pressure 8,3 bar;
- Temperature 4 ÷ 45°C;
- IN/OUT connections BSPP;
- With plastic wrench (ref. FBBGR11).

Ref	Description	Fam.	Subfam.		Price Euro
FBBG1010B	MWG FILTER HOUSING BIG L=10" -1" BLUE BOWL WITH KEY	40	106		63,08
FBBG1015B	MWG FILTER HOUSING BIG L=10" 1 1/2" BLUE BOWL WITHKEY	40	106		63,55
FBBG2010B	MWG FILTER HOUSING BIG L=20" - 1" BLUE BOWL WITH KEY	40	106		86,14
FBBG2015B	MWG FILTER HOUSING BIG L=20" - 1 1/2" BLUE BOWL WITH KEY	40	106		86,61

Ref	In/Out Connection (inch)	Head Dimension (mm)	Total Length (mm)
FBBG1010B	1" F	190	360
FBBG1015B	1 1/2" F	190	360
FBBG2010B	1" F	190	617
FBBG2015B	1 1/2" F	190	617

Certificates	Manufacturer	Sectors
DM174-2004 DM25-2012	MWG	Domestic, Commercial

Ref	Description	Fam.	Subfam.		Price Euro
FBBGR11	MWG SPANNER FOR FILTER BG	40	106		5,89

Box: WxLxH	Box: Q.ty	Box: Weight	Pallet: WxLxH	Pallet: Q.ty	Pallet: Weight

Cartridges to coupling

- BIG PP microfiber filtering cartridges;
- BIG CARBON BLOCK filtering cartridges.

Spare Parts and Accessories

Ref	Description	Fam.	Subfam.		Price Euro
FBBGR11	MWG SPANNER FOR FILTER BG	40	106		5,89
FBBGR21	MWG S.S. PAINTED MOUNTING BRACKET FOR FILTER BG	40	106		36,55
FBBGR31	MWG NR. 2 BRASS NIPPLES 1" W/O-RING FOR FILTER BG/MT	40	106		15,32
FBBGR51	HEAD FOR BG 1" FILTER HOUSING	40	112		22,90
FBBGR52	MWG HEAD FOR BG 1 1/2" FILTER HOUSING	40	112		30,31
FBBGR61	BOWL BLUE 10" FOR BG FILTER HOUSING	40	112		25,07
FBBGR71	MWG O-RING FOR HEAD BG FILTER HOUSINGS	40	112		3,64



MT Three Pieces Filter Housings

- Made in European Union (Italy);
- Three pieces filter housings for standard filtering cartridges length 10" or 20";
- Fixable head and nut in material PP reinforced blue colour; Sump in PET; O-ring in EPDM;
- IN/OUT connections BSPP F 1/2", 3/4" or 1", with brass inserts; With air valve;
- Max operating pressure 8 bar; Temperature 4 ÷ 45°C;
- **WARNING! FA068 cartridge is not suitable for this housing.**

Ref	Description	Fam.	Subfam.		Price Euro
FBMT1005T	MWG THREE PIECES FILTER HOUSING 1/2" - L=10" CLEARBOWL	40	106		22,96
FBMT1007T	MWG THREE PIECES FILTER HOUSING 3/4" - L=10" CLEARBOWL	40	106		23,49
FBMT1007B	MWG THREE PIECES FILTER HOUSING 3/4" - L=10" BLUEBOWL	40	106		23,94
FBMT1010T	MWG THREE PIECES FILTER HOUSING 1" - L=10" CLEAR BOWL	40	106		25,56
FBMT1010B	THREE PIECES FILTER HOUSING 1" - L=10" BLUE BOWL	40	106		21,67
FBMT2005T	MWG THREE PIECES FILTER HOUSING 1/2" - L=20" CLEARBOWL	40	106		54,60
FBMT2007T	MWG THREE PIECES FILTER HOUSING 3/4" - L=20" CLEARBOWL	40	106		55,68
FBMT2010T	MWG THREE PIECES FILTER HOUSING 1" - L=20" CLEAR BOWL	40	106		58,37
FBMT2010B	MWG THREE PIECES FILTER HOUSING 1" - L=20" BLUE BOWL	40	106		62,14

Ref	Connections (inch)	Head Dimension (mm)	Total Length (mm)
FBMT1005T	1/2"	133	315
FBMT1007T	3/4"	133	315
FBMT1007B	3/4"	133	315
FBMT1010T	1"	145	321
FBMT1010B	1"	145	321
FBMT2005T	1/2"	133	571
FBMT2007T	3/4"	133	571
FBMT2010T	1"	145	577
FBMT2010B	1"	145	577

Box: WxLxH	Box: Q.ty	Box: Weight	Pallet: WxLxH	Pallet: Q.ty	Pallet: Weight

Certificates	Manufacturer	Sectors
DM174-2004 DM25-2012 ACS	MWG	Domestic, Commercial

Spare Parts and Accessories

Ref	Description	Fam.	Subfam.		Price Euro
FBMTR11	MWG PLASTIC SPANNER FOR FILTER MT	40	106		2,92
FBMTR41	MWG DIFFUSER TUBE 10" FOR FILTER MT	40	106		3,53
FBMTR51	MWG HEAD FOR MT 3/4" FILTER HOUSING	40	106		11,21
FBMTR52	MWG HEAD FOR MT 1" FILTER HOUSING	40	106		12,15
FBMTR53	MWG HEAD FOR MT 1/2" FILTER HOUSING	40	106		10,96
FBMTR61	MWG BOWL BLU 10" FOR MT FILTER HOUSINGS+O-RING	40	106		11,16
FBMTR62	MWG BOWL CLEAR 10" FOR MT FILTER HOUSINGS+O-RING	40	106		11,84
FBMTR66	MWG BOWL CLEAR 20" FOR MT FILTER HOUSINGS + O-RING	40	106		36,81
FBMTR71	MWG O-RING FOR HEAD MT FILTER HOUSINGS	40	106		0,58
FBMTR81	MWG NUT FOR MT FILTER HOUSINGS	40	106		3,55
FBMDR21	MWG BLUE PLASTIC BRACKET WITH SCREWS FOR FILTER MDAND MT	40	106		2,36
FBMDR31	MWG PLASTIC NIPPLE 3/4" BSPP W/O-RING FOR FILTER MD/MM/MT	40	106		1,14
FBBGR31	MWG NR. 2 BRASS NIPPLES 1" W/O-RING FOR FILTER BG/MT	40	106		15,32
FBMTR91	MWG BLUE BREATHER-VALVE WITH O-RING FOR HEAD MT FILTER HOUSING	40	106		0,54



MD, DD and TD two Pieces Filter Housings IN/OUT connections 1/4" for R.O. Systems



FBMD1002T



FBMD1002W



FBDD1002W



FBTD1002W

- Made in European Union (Italy);
- Suitable for residential R.O. and filtration systems;
- Two pieces filter housings for standard filtering cartridges length 10"
- Total height 325 mm;
- Fixable head (single, double or triplex) in material PP reinforced white colour;
- Sump in PET clear or white, O-ring in EPDM;
- IN/OUT connections 1/4" NPT F;
- With air valve;
- Max operating pressure 8 bar, temperature 4 ÷ 45°C;
- Designed for the following single, double or triple brackets (also ideal for 2 + 1 application), with fixing screws.

Ref	Description	Fam.	Subfam.		Price Euro
FBMD1002T	MWG TWO PIECES FILTER HOUSING 1/4" - L=10" CLEAR BOWL	30	175		17,33
FBMD1002W	MWG TWO PIECES FILTER HOUSING 1/4" - L=10" WHITE BOWL	30	175		17,53
FBDD1002W	MWG TWO PIECES TWO FILTER HOUSING L=10" - 1/4" WHITE BOWL	30	175		35,06
FBTD1002W	MWG TWO PIECES THREE FILTER HOUSING L=10" - 1/4" WHITE BOWL	30	175		47,66

Ref	Cartridge Length (inch)	Head Dimension (mm)
FBMD1002T	Single	122
FBMD1002W	Single	122
FBDD1002W	Duplex	228
FBTD1002W	Triplex	336

Ref	Box: WxLxH.	Box: Q.ty	Box: Weight.	Pallet: WxLxH.	Pallet: Q.ty	Pallet: Weight.
FBMD1002T						
FBMD1002W						
FBDD1002W						
FBTD1002W						

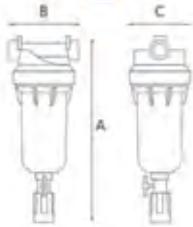
Certificates	Manufacturer	Sectors
DM174-2004 DM25-2012 ACS	MWG	Domestic, Commercial

Spare Parts and Accessories

Ref	Description	Fam.	Subfam.		Price Euro
FBMDR11	MWG PLASTIC SPANNER FOR FILTER MD	40	106		1,61
FBMDR22	MWG WHITE PLASTIC BRACKET WITH SCREWS FOR MD AND MT FILTER HOUSINGS	30	175		2,17
FBMDR24	MWG WHITE BRACKET WITH SCREWS FOR DD AND DT TWO FILTER HOUSINGS	30	175		35,49
FBMDR26	MWG WHITE BRACKET WITH SCREWS FOR TD AND TT THREEFILTER HOUSINGS	30	175		33,63
FBMDR51	MWG WHITE HEAD FOR MD 1/4" NPT FILTER HOUSING	40	106		6,60
FBMDR71	MWG O-RING FOR HEAD MD FILTER HOUSINGS	40	106		0,77



MWG Self Cleaning Filters with Brass Head



- Made in European Union (Italy);
- Range of sediment self cleaning filters, chrome plated brass head, clear PET bowl, EPDM o-ring;
- Without cartridge, to order separately;
- With 2 manometers;
- With plastic wrench (ref. FBMDR11).
- Opening the drain valve, a depression is created inside the sump, that lowers the cartridge and reverts the clearing water flow. Closing the valve, the cartridge rises and places the filter in service again. Repeat the action 4-5 times for about 10 seconds each time;
- Easy cartridge disassembly in case of inspection or replacement;
- Range operating pressure 2 - 10 bar; range temperature 4 ÷ 45° C;
- Max ΔP recommended 1 bar.

Ref	Description	Fam.	Subfam.		Price Euro
FBOA07T	MWG BRASS SELF CLEANING FILTER HOUSING 3/4" CLEAR BOWL	40	109		270,92
FBOA10T	MWG BRASS SELF CLEANING FILTER HOUSING 1" CLEAR BOWL	40	109		268,22

Ref.	In-Out Connections	Flow Δp=0,2 bar (l/h)	A (mm)	B (mm)	C (mm)
FBOA07T	3/4" F	5000	460	120	107
FBOA10T	1" F	6000	460	120	107

Box: WxLxH	Box: Q.ty	Box: Weight	Pallet: WxLxH	Pallet: Q.ty	Pallet: Weight

Certificates	Manufacturer	Sectors
DM174-2004	MWG	Domestic, Commercial

Filtering Cartridges for MWG Self-Cleaning Filter Housings

- Washable special cartridges and suitable for MWG Self-Cleaning Filter Housings in our Catalogue.



COD: FCOA90NA

COD: FCOA50PP

Ref.	Description	Fam.	Subfam.		Price Euro
FCOA50PP	MWG PLASTIC PLEATED CARTRIDGE 50 MICRON FOR SELF CLEANING FILTER	40	105		26,57
FCOA90NA	MWG SS NET CARTRIDGE 90 MICRON FOR SELF CLEANING FILTER	40	105		20,43

Box: WxLxH	Box: Q.ty	Box: Weight	Pallet: WxLxH	Pallet: Q.ty	Pallet: Weight

Certificates	Manufacturer	Sectors
DM174-2004	MWG	Domestic, Commercial

Accessories



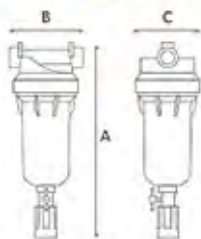
Ref.	Description	Fam.	Subfam.		Price Euro
FBOAR99	MWG AUTOMATION KIT FOR BRASS SELF CLEANING FILTER	40	109		528,81

Spare Parts

Ref.	Description	Fam.	Subfam.		Price Euro
FBMDR11	MWG PLASTIC SPANNER FOR FILTER MD	40	106		1,61
FBOAR77	MWG DRAIN KIT FOR BRASS SELF CLEANING FILTER	40	109		23,66



MWG Self Cleaning Filters with PP Head



- Made in European Union (Italy);
- Range of sediment self cleaning filters, head in material PP reinforced blue colour, clear PET bowl, EPDM o-ring;
- Without cartridge, to order separately;
- With 2 manometers;
- With plastic wrench (ref. FBMDR11).
- Opening the drain valve, a depression is created inside the sump, that lowers the cartridge and reverts the clearing water flow. Closing the valve, the cartridge rises and places the filter in service again. Repeat the action 4-5 times for about 10 seconds each time;
- Easy cartridge disassembly in case of inspection or replacement;
- Range operating pressure 2 - 8 bar; range temperature 4 ÷ 45° C;
- Max ΔP recommended 1 bar.

Ref	Description	Fam.	Subfam.		Price Euro
FBPA12T	MWG PP SELF CLEANING FILTER HOUSING 1" 1/4 CLEAR BOWL	40	110		114,44
FBPA15T	MWG PP SELF CLEANING FILTER HOUSING 1.5" CLEARBOWL	40	110		117,10

Ref.	In-Out Connections	Flow Δp=0,2 bar (l/h)	A (mm)	B (mm)	C (mm)
FBPA12T	1" 1/4" F	8000	460	120	107
FBPA15T	1,5" F	10000	460	120	107

Box: WxLxH	Box: Q.ty	Box: Weight	Pallet: WxLxH	Pallet: Q.ty	Pallet: Weight

Certificates	Manufacturer	Sectors
DM174-2004	MWG	Domestic, Commercial

Filtering Cartridges for MWG Self-Cleaning Filter Housings

- Washable special cartridges and suitable for MWG Self-Cleaning Filter Housings in our Catalogue.



COD: FCOA90NA

COD: FCOA50PP

Ref.	Description	Fam.	Subfam.		Price Euro
FCOA50PP	MWG PLASTIC PLEATED CARTRIDGE 50 MICRON FOR SELF CLEANING FILTER	40	105		26,57
FCOA90NA	MWG SS NET CARTRIDGE 90 MICRON FOR SELF CLEANING FILTER	40	105		20,43

Box: WxLxH	Box: Q.ty	Box: Weight	Pallet: WxLxH	Pallet: Q.ty	Pallet: Weight

Certificates	Manufacturer	Sectors
DM174-2004	MWG	Domestic, Commercial

Accessories

Ref.	Description	Fam.	Subfam.		Price Euro
FBOAR99	MWG AUTOMATION KIT FOR BRASS SELF CLEANING FILTER	40	109		528,81

Spare Parts

Ref.	Description	Fam.	Subfam.		Price Euro
FBMDR11	MWG PLASTIC SPANNER FOR FILTER MD	40	106		1,61
FBOAR77	MWG DRAIN KIT FOR BRASS SELF CLEANING FILTER	40	109		23,66





MWG Filter Housings for Washable Cartridge

MWG Filter Housings IN/OUT 3/4" - 1" for Washable Cartridge

- Made in European Union (Italy);
- Range of sediment filters, chrome plated brass head, clear PET bowl, EPDM o-ring;
- Without cartridge, to order separately;
- Available DOE cartridges in AISI 316 (50 or 70 micron) and DOE cartridges in Polyester (50 micron);
- Range operating pressure 2 - 10 bar;
- Range temperature 4 ÷ 45° C.



Ref	Description	Fam.	Subfam.		Price Euro
FBOP1007T	MWG BRASS FILTER HOUSING 3/4" - L=10" CLEAR BOWL	40	109		178,49
FBOP1010T	MWG BRASS FILTER HOUSING 1" - L=10" CLEAR BOWL	40	109		178,49

Ref.	In-Out Connections	Flow $\Delta p=0,2$ bar (l/h)	A (mm)	B (mm)	C (mm)
FBOP1007T	3/4" F	3000	335	120	105
FBOP1010T	1" F	3500	335	120	105

Box: WxLxH	Box: Q.ty	Box: Weight	Pallet: WxLxH	Pallet: Q.ty	Pallet: Weight

Cartridges to coupling

- 10" DOE filtering cartridges in AISI 316 (ref. FAAP1050 and FAAL1070);
- 10" DOE filtering cartridges in Polyester (ref. FARP1050).

Certificates	Manufacturer	Sectors
DM174-2004	MWG	Domestic, Commercial

Accessories

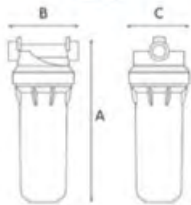
Ref.	Description	Fam.	Subfam.		Price Euro
FBMDR11	MWG PLASTIC SPANNER FOR FILTER MD	40	106		1,61
FBOPR21	MOUNTING BRACKET WITH SCREWS FOR MWG FILTERS OA, OP	40	109		13,29
FBBGR31	MWG NR. 2 BRASS NIPPLES 1" W/O-RING FOR FILTER BG/MT	40	106		15,32



MWG Filter Housings for Washable Cartridge

MWG Filter Housings IN/OUT 1,5" - 2" for Washable Cartridge

- Made in European Union (Italy);
- Range of sediment filters, chrome plated brass head, clear PET bowl, EPDM o-ring;
- Without cartridge, to order separately;
- Available two o-rings AISI 316 cartridges 50 or 70 micron;
- Range operating pressure 2 - 10 bar;
- Range temperature 4 ÷ 45° C.



Ref	Description	Fam.	Subfam.		Price Euro
FBOP1015T	MWG BRASS FILTER HOUSING 1,5" - L=10" CLEAR BOWL	40	109		184,30
FBOP1020T	MWG BRASS FILTER HOUSING 2" - L=10" CLEAR BOWL	40	109		195,09

Ref.	In-Out Connections	Flow $\Delta p=0,2$ bar (l/h)	A (mm)	B (mm)	C (mm)
FBOP1015T	1,5" F	10000	345	130	105
FBOP1020T	2" F	15000	350	130	105

Box: WxLxH	Box: Q.ty	Box: Weight	Pallet: WxLxH	Pallet: Q.ty	Pallet: Weight

Certificates	Manufacturer	Sectors
DM174-2004	MWG	Domestic, Commercial



COD: FCAP1050



COD: FCAL1070

SS Cartridges to coupling, Washable Filtering Cartridge MWG Housings 1.5" or 2"

- With two O-rings 57 mm;
- Dimensions external diameter 70 mm, internal 30 mm;
- Length = 250 mm and Nominal Length 10".

Ref	Description	Fam.	Subfam.		Price Euro
FCAP1050	MWG AISI 304 PLEATED CARTRIDGE 10"-50 MICRON 2 O-RINGS 57 MM	40	105		51,56
FCAL1070	MWG AISI 304 SMOOTH CARTRIDGE 10"-70 MICRON 2 O-RINGS 57 MM	40	105		49,73

Box: WxLxH	Box: Q.ty	Box: Weight	Pallet: WxLxH	Pallet: Q.ty	Pallet: Weight

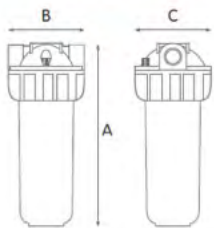
Certificates	Manufacturer	Sectors
DM174-2004	MWG	Domestic, Commercial

Accessories

Ref.	Description	Fam.	Subfam.		Price Euro
FBMDR11	MWG PLASTIC SPANNER FOR FILTER MD	40	106		1,61
FBOPR21	MOUNTING BRACKET WITH SCREWS FOR MWG FILTERS OA, OP	40	109		13,29
FBBGR31	MWG NR. 2 BRASS NIPPLES 1" W/O-RING FOR FILTER BG/MT	40	106		15,32



MWG Filter Housings for Hot Water



- Made in European Union (Italy);
- Fixable head and bowl in reinforced Nylon red colour and O-ring in EPDM;
- With air valve;
- Without cartridge, to order separately;
- Suitable for standard DOE filtering cartridges with nominal length 10" or 20";
- Max operating pressure = 8,6 bar; Range temperature 4 - 80°C.
- **NOTE: for 20" models you can't use two 10" cartridges.**

Ref.	Description	Fam.	Subfam.		Price Euro
FBHW1007	MWG HOT WATER FILTER HOUSING 3/4" - L=10"	40	106		61,52
FBHW1010	MWG HOT WATER FILTER HOUSING 1" - L=10"	40	106		62,93
FBHW2007	MWG HOT WATER FILTER HOUSING 3/4" - L=20"	40	106		92,23
FBHW2010	MWG HOT WATER FILTER HOUSING 1" - L=20"	40	106		93,65

Ref.	IN/OUT Connections (inch)	Nominal Length (inch)	A (mm)	B (mm)	C (mm)
FBHW1007	3/4"	10"	315	133	130
FBHW1010	1"	10"	321	145	130
FBHW2007	3/4"	20"	571	133	130
FBHW2010	1"	20"	577	145	130

Ref.	Box: WxLxH	Box: Q.ty	Box: Weight	Pallet: WxLxH	Pallet: Q.ty	Pallet: Weight
FBHW1007						
FBHW1010						
FBHW2007						
FBHW2010						

Certificates	Manufacturer	Sectors
EAC	MWG	Domestic, Commercial

FAAP1050

FAAL1070



AISI 316 Filtering DOE Cartridges for Hot Water

- Washable and suitable for MWG Hot Water Filter Housings on catalog;
- Dimensions external diameter 70 mm, internal 30 mm;
- Nominal Length 10" (= 250 mm) and 20" (= 505 mm);
- Range temperature 4 - 80°C.

Ref	Description	Fam.	Subfam.		Price Euro
FAAP1050	MWG AISI 316 PLEATED CARTRIDGE 10"-50 MICRON	40	105		95,09
FAAL1070	MWG AISI 316 SMOOTH CARTRIDGE 10"-70 MICRON	40	105		61,10
FAAP2050	MWG AISI 316 PLEATED CARTRIDGE 20"- 50 MICRON	40	105		134,49
FAAL2070	MWG AISI 316 SMOOTH CARTRIDGE L=20"-70 MICRON	40	105		101,36

Box: WxLxH	Box: Q.ty	Box: Weight	Pallet: WxLxH	Pallet: Q.ty	Pallet: Weight

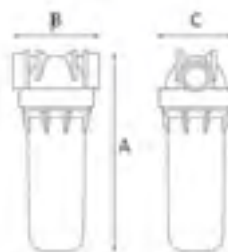
Certificates	Manufacturer	Sectors
DM174-2004 ACS	MWG	Domestic, Commercial, Industrial

Accessories

Ref.	Description	Fam.	Subfam.		Price Euro
FBMTR11	MWG PLASTIC SPANNER FOR FILTER MT	40	106		2,92
FBMDR21	MWG BLUE PLASTIC BRACKET WITH SCREWS FOR FILTER MDAND MT	40	106		2,36



MWG Antimicrobial Two Pieces Filter Housings



- Made in European Union (Italy);
- Suitable for standard filtering cartridges length 10" or 20";
- Fixable head in reinforced polypropylene, grey colour;
- Bowl with antimicrobial technology, available in PET clear or in reinforced polypropylene grey colour;
- O-ring in EPDM;
- Max operating pressure 8 bar;
- Range temperature 4 ÷ 45°C.

Ref.	Description	Fam.	Subfam.		Price Euro
FBMZ1002T	MWG ANTIMICROBIAL FILTER HOUSING 1/4" NPT L=10" CLEAR BOWL	40	106		30,47
FBMZ1002G	MWG ANTIMICROBIAL FILTER HOUSING 1/4" NPT L=10" GREY BOWL	40	106		28,65
FBMZ1003T	MWG ANTIMICROBIAL FILTER HOUSING 3/8" BSP L=10" CLEAR BOWL	40	106		30,39
FBMZ1003G	MWG ANTIMICROBIAL FILTER HOUSING 3/8" BSP L=10" GREY BOWL	40	106		28,56
FBMZ1005T	MWG ANTIMICROBIAL FILTER HOUSING 1/2" BSP L=10" CLEAR BOWL	40	106		30,47
FBMZ1005G	MWG ANTIMICROBIAL FILTER HOUSING 1/2" BSP L=10" GREY BOWL	40	106		28,65
FBMZ1007T	MWG ANTIMICROBIAL FILTER HOUSING 3/4" BSP L=10" CLEAR BOWL	40	106		30,47
FBMZ1007G	MWG ANTIMICROBIAL FILTER HOUSING 3/4" BSP L=10" GREY BOWL	40	106		28,65
FBMZ1010T	MWG ANTIMICROBIAL FILTER HOUSING 1" BSP L=10" CLEAR BOWL	40	106		30,43
FBMZ1010G	MWG ANTIMICROBIAL FILTER HOUSING 1" BSP L=10" GREY BOWL	40	106		28,60
FBMZ2007T	MWG ANTIMICROBIAL FILTER HOUSING 3/4" BSP L=20" CLEAR BOWL	40	106		40,14
FBMZ2007G	MWG ANTIMICROBIAL FILTER HOUSING 3/4" BSP L=20" GREY BOWL	40	106		36,99
FBMZ2010T	MWG ANTIMICROBIAL FILTER HOUSING 1" BSP L=20" CLEAR BOWL	40	106		40,10
FBMZ2010G	MWG ANTIMICROBIAL FILTER HOUSING 1" BSP L=20" GREY BOWL	40	106		36,95

Models	A (mm)	B (mm)	C (mm)
10"	325	122	107
20"	577	122	107

Models	Box: WxLxH	Box: Q.ty	Box: Weight	Pallet: WxLxH	Pallet: Q.ty	Pallet: Weight
10"						
20"						

Certificates	Manufacturer	Sectors
DM174-2004	MWG	Domestic, Commercial

Accessories and Spare Parts

Ref.	Description	Fam.	Subfam.		Price Euro
FBMDR11	MWG PLASTIC SPANNER FOR FILTER MD	40	106		1,61
FBMDR21	MWG BLUE PLASTIC BRACKET WITH SCREWS FOR FILTER MDAND MT	40	106		2,36
FBMDR31	MWG PLASTIC NIPPLE 3/4" BSPP W/O-RING FOR FILTER MD/MM/MT	40	106		1,14



Filter Housings Brass Head



- three pieces filter housings;
- head and nut material brass nickel-pleated, sump in SAN clear;
- max operating pressure 8 bar;
- max operating temperature 40° C;
- complete with air valve.

Ref	Description	Fam.	Subfam.		Price Euro
FB060	FILTER HOUSING OTS 34-9	40	109		138,35
FB061	FILTER HOUSING OTS 1-9	40	109		138,35
FB062	FILTER HOUSING OTS 1-20	40	109		150,32
FB063	FILTER HOUSING OTS 114-10	40	109		183,60
FB064	FILTER HOUSING OTS 114-20	40	109		195,56
FB072	FILTER HOUSING OTS 112-10	40	109		183,60
FB065	FILTER HOUSING OTS 112-20	40	109		195,56
FB073	FILTER HOUSING OTS 2-10	40	109		201,92
FB066	FILTER HOUSING OTS 2-20	40	109		213,89

Ref	Connections (inch)	For Cartridge	L (mm)	H (mm)
FB060	¾"	10"	135	330
FB061	1"	10"	135	330
FB062	1"	20"	135	600
FB063	1¼"	10"	150	340
FB064	1¼"	20"	150	620
FB072	1½"	10"	150	340
FB065	1½"	20"	150	620
FB073	2"	10"	162	360
FB066	2"	20"	162	640

Box: WxLxH	Box: Q.ty	Box: Weight	Pallet: WxLxH	Pallet: Q.ty	Pallet: Weight

Certificates	Manufacturer	Sectors
		Domestic, Commercial

Accessories Wrench

- galvanised steel material.

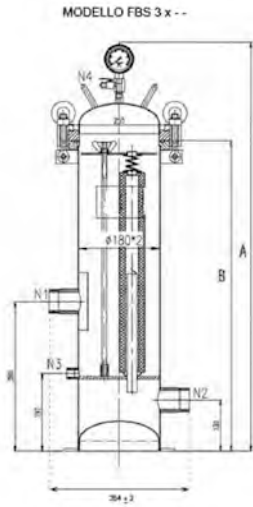


Ref	Description	Fam.	Subfam.		Price Euro
FB069	SPANNER FOR FILTER OTS	40	105		9,10

Box: WxLxH	Box: Q.ty	Box: Weight	Pallet: WxLxH	Pallet: Q.ty	Pallet: Weight



MWG AISI 316L Filter Housings

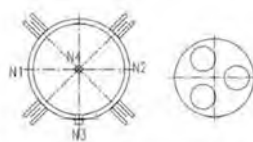


- Made in China;
- Multicartridges filter housings flanged top opening AISI 316L for 3 cartridges, In/Out connections 2" BSP M;
- 1/2" BSP F connection for drain filter;
- 1/4" BSP F connection for air valve pressure gauge;
- High resistance and strength electrowelded construction, complete with AISI 316 fixing cartridges accessories, mechanical polishing outside treatment;
- European 2014/68/EU Directive compliant for pressure equipment (PED);
- Max pressure @ 20°C = 10 bar; Max pressure @ 40°C = 9 bar; Max pressure @ 80°C = 8 bar;
- Hydraulic test pressure = 12 bar; Max temperature 80 °C;
- Gasket material EPDM (option in Viton not included, to order separately);
- Suitable for DOE cartridges;
- Cartridges dimensions: ID min/max 28÷30 mm, OD max 65 mm and length 20"-30"-40".
- **WARNING!** For these housings the suitable Carbon Block cartridges are FA018 and FA019.
- The FA013 and FA014 cartridges of our catalogue are not suitable for these housings.

Ref	Description	Fam.	Subfam.	Price Euro
FBS0320	MWG FILTER HOUSING FBS 3x20" AISI 316L 2" BSP M	40	115	1833,37

Ref	In/Out Connections	A (mm)	B (mm)
FBS0320	2" BSP M	1038	788

Box: WxLxH	Box: Q.ty	Box: Weight	Pallet: WxLxH	Pallet: Q.ty	Pallet: Weight



N1	Inlet	2" BSP Male
N2	Outlet	2" BSP Male
N3	Drain	1/2" Female
N4	Pressure Gauge/Vent	1/4" Female

Ref	Description	Fam.	Subfam.	Price Euro
FBS0330	MWG FILTER HOUSING FBS 3x30" AISI 316L 2" BSP M	40	115	2195,12

Ref	In/Out Connections	A (mm)	B (mm)
FBS0330	2" BSP M	1292	1042

Box: WxLxH	Box: Q.ty	Box: Weight	Pallet: WxLxH	Pallet: Q.ty	Pallet: Weight

Ref	Description	Fam.	Subfam.	Price Euro
FBS0340	MWG FILTER HOUSING FBS 3x40" AISI 316L 2" BSP M	40	115	2340,31

Ref	In/Out Connections	A (mm)	B (mm)
FBS0340	2" BSP M	1546	1296

Box: WxLxH	Box: Q.ty	Box: Weight	Pallet: WxLxH	Pallet: Q.ty	Pallet: Weight

Certificates	Manufacturer	Sectors
DM174-2004 CE	MWG	Industrial



MWG AISI 316L Filter Housings



- Made in China;
- Multicartridges filter housings flanged top opening AISI 316L for 5 cartridges, In/Out connections 2" BSP M;
- 1/2" BSP F connection for drain filter;
- 1/4" BSP F connection for air valve pressure gauge;
- High resistance and strength electrowelded construction, complete with AISI 316 fixing cartridges accessories, mechanical polishing outside treatment;
- European 2014/68/EU Directive compliant for pressure equipment (PED);
- Max pressure @ 20°C = 10 bar; Max pressure @ 40°C = 9 bar; Max pressure @ 80°C = 8 bar;
- Hydraulic test pressure = 12 bar; Max temperature 80 °C;
- Gasket material EPDM (option in Viton not included, to order separately);
- Suitable for DOE cartridges;
- Cartridges dimensions: ID min/max 28÷30 mm, OD max 65 mm and length 20"- 30"- 40".
- **WARNING!** For these housings the suitable Carbon Block cartridges are FA018 and FA019.
- The FA013 and FA014 cartridges of our catalogue are not suitable for these housings.

Ref	Description	Fam.	Subfam.		Price Euro
FBS0520	MWG FILTER HOUSING FBS 5x20" AISI 316L 2" BSP M	40	115		1850,59

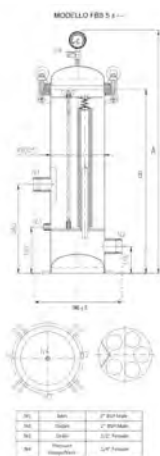
Ref	In/Out Connections	A (mm)	B (mm)
FBS0520	2" BSP M	1045	788

Box: WxLxH	Box: Q.ty	Box: Weight	Pallet: WxLxH	Pallet: Q.ty	Pallet: Weight

Ref	Description	Fam.	Subfam.		Price Euro
FBS0530	MWG FILTER HOUSING FBS 5x30" AISI 316L 2" BSP M	40	115		2212,34

Ref	In/Out Connections	A (mm)	B (mm)
FBS0530	2" BSP M	1042	1299

Box: WxLxH	Box: Q.ty	Box: Weight	Pallet: WxLxH	Pallet: Q.ty	Pallet: Weight



Ref	Description	Fam.	Subfam.		Price Euro
FBS0540	MWG FILTER HOUSING FBS 5x40" AISI 316L 2" BSP M	40	115		2357,53

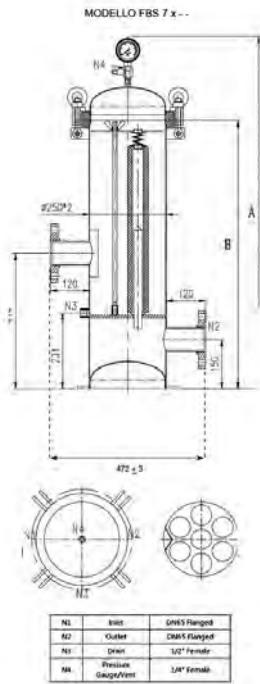
Ref	In/Out Connections	A (mm)	B (mm)
FBS0540	2" BSP M	1553	1296

Box: WxLxH	Box: Q.ty	Box: Weight	Pallet: WxLxH	Pallet: Q.ty	Pallet: Weight

Certificates	Manufacturer	Sectors
DM174-2004 CE	MWG	Industrial



MWG AISI 316L Filter Housings



- Made in China;
- Multicartridges filter housings flanged top opening AISI 316L for 7 cartridges, In/Out connections flanged 2,5" (DN65) ASME B16.5 CLASS 150;
- 1/2" BSP F connection for drain filter;
- 1/4" BSP F connection for air valve pressure gauge;
- High resistance and strength electrowelded construction, complete with AISI 316 fixing cartridges accessories, mechanical polishing outside treatment;
- European 2014/68/EU Directive compliant for pressure equipment (PED);
- Max pressure @ 20°C = 10 bar; Max pressure @ 40°C = 9 bar; Max pressure @ 80°C = 8 bar;
- Hydraulic test pressure = 12 bar;
- Max temperature 80 °C;
- Gasket material EPDM (option in Viton not included, to order separately);
- Suitable for DOE cartridges;
- Cartridges dimensions: ID min/max 28÷30 mm, OD max 65 mm and length 20"- 30"- 40".
- **WARNING!** For these housings the suitable Carbon Block cartridges are FA018 and FA019.
- The FA013 and FA014 cartridges of our catalogue are not suitable for these housings.

Ref	Description	Fam.	Subfam.		Price Euro
FBS0720FL	MWG FILTER HOUSING FBS 7x20" AISI 316L FLANG 2.5"ASME B16.5 CLAS150	40	115		3452,63

Ref	In/Out Connections	A (mm)	B (mm)
FBS0720FL	2,5" Flanged	1079	822

Box: WxLxH	Box: Q.ty	Box: Weight	Pallet: WxLxH	Pallet: Q.ty	Pallet: Weight

Ref	Description	Fam.	Subfam.		Price Euro
FBS0730FL	MWG FILTER HOUSING FBS 7x30" AISI 316L FLANG 2.5"ASME B16.5 CLAS150	40	115		3619,97

Ref	In/Out Connections	A (mm)	B (mm)
FBS0730FL	2,5" Flanged	1076	1333

Box: WxLxH	Box: Q.ty	Box: Weight	Pallet: WxLxH	Pallet: Q.ty	Pallet: Weight

Ref	Description	Fam.	Subfam.		Price Euro
FBS0740FL	MWG FILTER HOUSING FBS 7x40" AISI 316L FLANG 2.5"ASME B16.5 CLAS150	40	115		3898,05

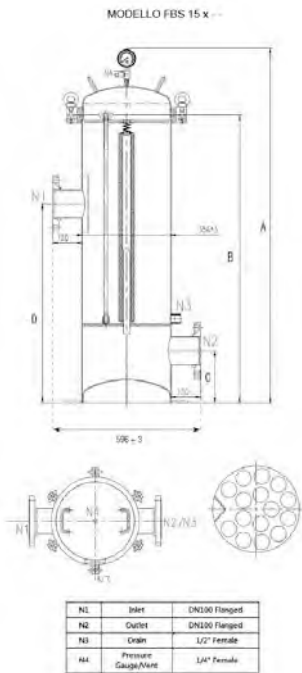
Ref	In/Out Connections	A (mm)	B (mm)
FBS0740FL	2,5" Flanged	1330	1587

Box: WxLxH	Box: Q.ty	Box: Weight	Pallet: WxLxH	Pallet: Q.ty	Pallet: Weight

Certificates	Manufacturer	Sectors
DM174-2004 CE	MWG	Industrial



MWG AISI 316L Filter Housings



- Made in China;
- Multicartridges filter housings flanged top opening AISI 316L for 15 cartridges, In/Out connections flanged 4" (DN100) ASME B16.5 CLASS 150;
- 1/2" BSP F connection for drain filter;
- 1/4" BSP F connection for air valve pressure gauge;
- High resistance and strength electrowelded construction, complete with AISI 316 fixing cartridges accessories, mechanical polishing outside treatment;
- European 2014/68/EU Directive compliant for pressure equipment (PED);
- Max pressure @ 20°C = 10 bar; Max pressure @ 40°C = 9 bar; Max pressure @ 80°C = 8 bar;
- Hydraulic test pressure = 12 bar;
- Max temperature 80 °C;
- Gasket material EPDM (option in Viton not included, to order separately);
- Suitable for DOE cartridges;
- Cartridges dimensions: ID min/max 28÷30 mm, OD max 65 mm and length 30"- 40".
- **WARNING!** For these housings the suitable Carbon Block cartridges are FA018 and FA019.
- The FA013 and FA014 cartridges of our catalogue are not suitable for these housings.

Ref	Description	Fam.	Subfam.	Price Euro
FBS1530FL	MWG FILTER HOUSING FBS 15x30" AISI 316L FLANG 4"ASME B16.5 CLAS150	40	115	9941,99
FBS1540FL	MWG FILTER HOUSING FBS 15x40" AISI 316L FLANG 4"ASME B16.5 CLAS150	40	115	10603,97

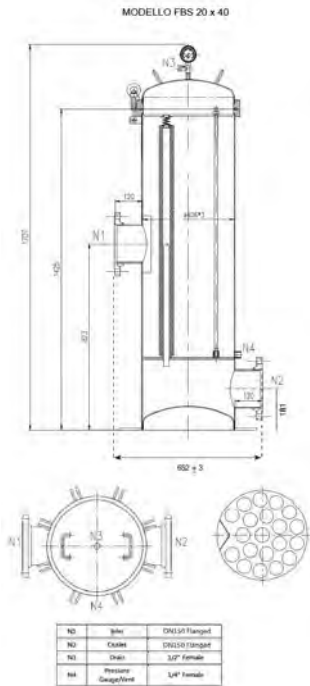
Ref	A (mm)	B (mm)	C (mm)	D (mm)
FBS1530FL	1437	1166	211	806
FBS1540FL	1661	1390	181	1030

Box: WxLxH	Box: Q.ty	Box: Weight	Pallet: WxLxH	Pallet: Q.ty	Pallet: Weight

Certificates	Manufacturer	Sectors
DM174-2004 CE	MWG	Industrial



MWG AISI 316L Filter Housings



- Made in China;
- Multicartridges filter housings flanged top opening AISI 316L for 20 cartridges, In/Out connections flanged 6" (DN150) ASME B16.5 CLASS 150;
- 1/2" BSP F connection for drain filter;
- 1/4" BSP F connection for air valve pressure gauge;
- High resistance and strength electrowelded construction, complete with AISI 316 fixing cartridges accessories, mechanical polishing outside treatment;
- European 2014/68/EU Directive compliant for pressure equipment (PED);
- Max pressure @ 20°C = 10 bar; Max pressure @ 40°C = 9 bar; Max pressure @ 80°C = 8 bar;
- Hydraulic test pressure = 12 bar;
- Max temperature 80 °C;
- Gasket material EPDM (option in Viton not included, to order separately);
- Suitable for DOE cartridges;
- Cartridges dimensions: ID min/max 28÷30 mm, OD max 65 mm and length 40".
- **WARNING!** For these housings the suitable Carbon Block cartridges are FA018 and FA019.
- The FA013 and FA014 cartridges of our catalogue are not suitable for these housings.

Ref	Description	Fam.	Subfam.	Price Euro
FBS2040FL	MWG FILTER HOUSING FBS 20X40" AISI 316L FLANG 6"ASME B16.5 CLAS150	40	115	12269,99

Box: WxLxH	Box: Q.ty	Box: Weight	Pallet: WxLxH	Pallet: Q.ty	Pallet: Weight

Certificates	Manufacturer	Sectors
DM174-2004 CE	MWG	Industrial



Chemical High Resistance PVC-U Multicartridges Filter Housings HPCF Series



- PVC-U multicartridges filter housings for 5 cartridges flanged top opening;
- With three pieces in / out female socket weld connections;
- With two 1/4" threaded connections for air valve pressure gauges and for drain filter;
- All filter housing internal material and all internal spare parts are in PVC-U for high chemical corrosion resistance;
- Opening gasket in EPDM material; - Connection gasket in EPDM material;
- With aeration valve and pressure gauge;
- European 2014/68/EU Directive compliant for pressure equipment (PED);
- Design pressure = 6,0 bar @ 25°C;
- Hydraulic test pressure = 7,8 bar;
- Max Δp = 1,4 bar;
- Operating temperature = 5 ÷ 40 °C;
- In/Out connections DN50 / D. 63 mm;
- Suitable for DOE cartridges;
- Cartridges dimensions: ID 28÷30 mm, OD 65 mm and length 20"- 30"- 40".
- **WARNING!** The FA013 and FA014 cartridges of our catalogue are not suitable for these housings.

Ref	Description	Fam.	Subfam.		Price Euro
FB560	MWG MULTICARTRIDGE PVC-U FILTER HOUSING HPCF/B-5DC2 D.63 MM	40	108		635,50

Ref	Cartridges Number	Weight (kg)	Capacity (Liters)	Nominal Flow Rate (lpm)
FB560	n.5 2,5" x 20"	11,0	20,6	300

Box: WxLxH	Box: Q.ty	Box: Weight	Pallet: WxLxH	Pallet: Q.ty	Pallet: Weight

Ref	A	C	D	E	I	K	L	M	N1 N2	N3
FB560	75	715	225	540	10	187,5	186	290	63	G 1/4"
FB561	75	965	225	540	10	187,5	186	290	63	G 1/4"
FB562	75	1215	225	540	10	187,5	186	290	63	G 1/4"

Ref	Description	Fam.	Subfam.		Price Euro
FB561	MWG MULTICARTRIDGE PVC-U FILTER HOUSING HPCF/B-5DC3 D.63 MM	40	108		761,97

Ref	Cartridges Number	Weight (kg)	Capacity (Liters)	Nominal Flow Rate (lpm)
FB561	n.5 2,5" x 30"	12,7	29,4	300

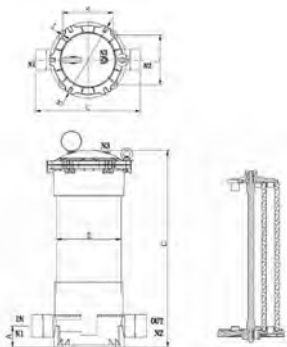
Box: WxLxH	Box: Q.ty	Box: Weight	Pallet: WxLxH	Pallet: Q.ty	Pallet: Weight

Ref	Description	Fam.	Subfam.		Price Euro
FB562	MWG MULTICARTRIDGE PVC-U FILTER HOUSING HPCF/B-5DC4 D.63 MM	40	108		890,01

Ref	Cartridges Number	Weight (kg)	Capacity (Liters)	Nominal Flow Rate (lpm)
FB562	n.5 2,5" x 40"	14,4	38,2	300

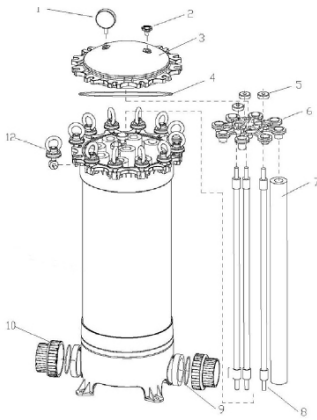
Box: WxLxH	Box: Q.ty	Box: Weight	Pallet: WxLxH	Pallet: Q.ty	Pallet: Weight

Certificates	Manufacturer	Sectors
CE	MWG	Industrial





Chemical High Resistance PVC-U Multicartridges Filter Housings HPCF Series



Spare Parts

Ref	Description	Fam.	Subfam.		Price Euro
FB366	MWG PURGE CAP	40	107		2,44
FB367	MWG MANOMETER 0-7 BAR 1/4"	40	107		21,41
FB580	MWG FLANGED TOP COVER 225 HPCF/PF/HXP + PURGE CAP+ O-RING	40	108		65,80
FB363	MWG EPDM CLOSURE O-RING HPCF-PF-HXP 225	40	107		10,46
FB574	MWG CLOSURE CARTRIDGE NUT	40	108		3,34
FB578	MWG 5DC CARTRIDGE FIXING STAR	40	108		13,28
	Cartridges (not included)				
FB371	MWG T GASKET D.63 FOR HPCF FILTER	40	107		49,84
FB572	MWG SINGOL MANIFOLD KIT D. 63 MM W/O-RING	40	108		39,82
FB364	MWG AISI BOLT KIT M10	40	107		16,63
FB584	MWG KIT DRAIN LINE 1" BSPT M + D.20 TO GLUE HPCF 9	40	108		6,15

Item	Ref	Description	Q.TY	Material
2	FB366	MWG PURGE CAP	1	
1	FB367	MWG MANOMETER 0-7 BAR 1/4"	1	
2+3+4	FB580	MWG FLANGED TOP COVER 225 HPCF/PF/HXP + PURGE CAP+ O-RING	1	
4	FB363	MWG EPDM CLOSURE O-RING HPCF-PF-HXP 225	1	EPDM
5	FB574	MWG CLOSURE CARTRIDGE NUT	3	
6	FB578	MWG 5DC CARTRIDGE FIXING STAR	1	
7		Cartridges (not included)		
10	FB371	MWG T GASKET D.63 FOR HPCF FILTER	2	
9+10	FB572	MWG SINGOL MANIFOLD KIT D. 63 MM W/O-RING	2	
11	FB364	MWG AISI BOLT KIT M10	6	AISI
Not shown	FB584	MWG KIT DRAIN LINE 1" BSPT M + D.20 TO GLUE HPCF 9	1	



Chemical High Resistance PVC-U Multicartridges Filter Housings HPCF Series



- PVC-U multicartridges filter housings for 9 cartridges flanged top opening;
- With three pieces in / out female socket weld connections;
- With two 1/4" threaded connections for air valve pressure gauges and for drain filter;
- All filter housing internal material and all internal spare parts are in PVC-U for high chemical corrosion resistance;
- Opening gasket in EPDM material; - Connection gasket in EPDM material;
- With aeration valve and pressure gauge;
- European 2014/68/EU Directive compliant for pressure equipment (PED);
- Design pressure = 6,0 bar @ 25°C;
- Hydraulic test pressure = 7,8 bar;
- Max Δp = 1,4 bar;
- Operating temperature = 5 ÷ 40 °C;
- In/Out connections DN80 / D. 90 mm;
- 1" BSPT M (+ F 20 mm to glue) drain connection;
- Suitable for DOE cartridges;
- Cartridges dimensions: ID 28±30 mm, OD 65 mm and length 20"- 30"- 40".
- **WARNING!** The FA013 and FA014 cartridges of our catalogue are not suitable for these housings.

Ref	Description	Fam.	Subfam.		Price Euro
FB564	MWG MULTICARTRIDGE PVC-U FILTER HOUSING HPCF/B-9DC2 D.90 MM	40	108		1144,51

Ref	Cartridges Number	Weight (kg)	Capacity (Liters)	Nominal Flow Rate (lpm)
FB564	n.9 2,5" x 20"	20,0	39,7	250

Box: WxLxH	Box: Q.ty	Box: Weight	Pallet: WxLxH	Pallet: Q.ty	Pallet: Weight

Ref	A	C	D	E	I	J	K	L	M	N1 N2	N3	N4
FB564	69	765	315	520	9	15	276	249	372	90	G 1/4"	1"
FB565	69	1015	315	520	9	15	276	249	372	90	G 1/4"	1"
FB566	69	1265	315	520	9	15	276	249	372	90	G 1/4"	1"

Ref	Description	Fam.	Subfam.		Price Euro
FB565	MWG MULTICARTRIDGE PVC-U FILTER HOUSING HPCF/B-9DC3 D.90 MM	40	108		1271,00

Ref	Cartridges Number	Weight (kg)	Capacity (Liters)	Nominal Flow Rate (lpm)
FB565	n.9 2,5" x 30"	23,0	57,0	350

Box: WxLxH	Box: Q.ty	Box: Weight	Pallet: WxLxH	Pallet: Q.ty	Pallet: Weight

Ref	Description	Fam.	Subfam.		Price Euro
FB566	MWG MULTICARTRIDGE PVC-U FILTER HOUSING HPCF/B-9DC4 D.90 MM	40	108		1462,29

Ref	Cartridges Number	Weight (kg)	Capacity (Liters)	Nominal Flow Rate (lpm)
FB566	n.9 2,5" x 40"	26,0	74,3	550

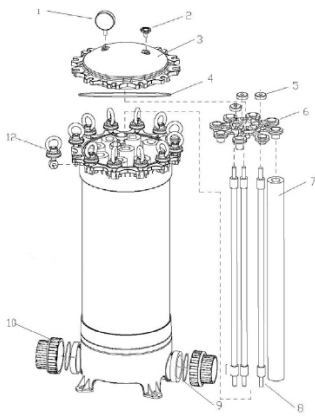
Box: WxLxH	Box: Q.ty	Box: Weight	Pallet: WxLxH	Pallet: Q.ty	Pallet: Weight

Certificates	Manufacturer	Sectors
CE	MWG	Industrial





Chemical High Resistance PVC-U Multicartridges Filter Housings HPCF Series



Spare Part

Ref	Description	Fam.	Subfam.		Price Euro
FB367	MWG MANOMETER 0-7 BAR 1/4"	40	107		21,41
FB366	MWG PURGE CAP	40	107		2,44
FB581	MWG FLANGED TOP COVER 325 HPCF + PURGE CAP + O-RING	40	108		132,89
FB571	MWG EPDM CLOSURE O-RING HPCF 315	40	108		10,38
FB574	MWG CLOSURE CARTRIDGE NUT	40	108		3,34
FB579	MWG 9DC CARTRIDGE FIXING STAR	40	108		18,24
	Cartridge (not included)				
FB575	20" ROD	40	108		7,17
FB576	30" ROD	40	108		8,78
FB577	40" ROD	40	108		10,63
FB583	MWG T GASKET D.90 FOR HPCF FILTER	40	108		6,54
FB573	MWG SINGOL MANIFOLD KIT D. 90 MM W/O-RING	40	108		69,52
FB582	MWG AISI BOLT KIT M12	40	108		19,94
FB584	MWG KIT DRAIN LINE 1" BSPT M + D.20 TO GLUE HPCF 9	40	108		6,15

Item	Ref	Description	Q.TY	Material
1	FB367	MWG MANOMETER 0-7 BAR 1/4"	1	
2	FB366	MWG PURGE CAP	1	
2+3+4	FB581	MWG FLANGED TOP COVER 325 HPCF + PURGE CAP + O-RING	1	
4	FB571	MWG EPDM CLOSURE O-RING HPCF 315	1	EPDM
5	FB574	MWG CLOSURE CARTRIDGE NUT	3	
6	FB579	MWG 9DC CARTRIDGE FIXING STAR	1	
7		Cartridge (not included)		
8	FB575	20" ROD		
8	FB576	30" ROD	3	
8	FB577	40" ROD	3	
9	FB583	MWG T GASKET D.90 FOR HPCF FILTER	3	
9+10	FB573	MWG SINGOL MANIFOLD KIT D. 90 MM W/O-RING	2	
12	FB582	MWG AISI BOLT KIT M12	12	AISI
Not shown	FB584	MWG KIT DRAIN LINE 1" BSPT M + D.20 TO GLUE HPCF 9	1	



High Flow PVC-U Single Cartridge Filter Housings PF Series



- PVC-U single cartridge filter housings, with flanged top opening, support legs, in/out female socket weld connections and two ¼" threaded connections for air valve pressure gauges and for drain filter;
- all filter housing internal material and all internal spare parts are in PVC-U for high chemical corrosion resistance;
- opening gasket in EPDM material;
- connection gasket in EPDM material;
- with aeration valve and pressure gauge;
- European 2014/68/EU Directive compliant for pressure equipment (PED);
- design pressure = 7,0 bar @ 25°C;
- hydraulic test pressure = 9,1 bar;
- max Δp = 1,4 bar;
- operating temperature = 5 ÷ 40 °C;
- In/Out flanged connections DN50;
- suitable for high flow "special pleated cartridges";
- cartridges dimensions: 6" x 20" and 6" x 40".

Ref	Description	Fam.	Subfam.	Price Euro
FB360	MWG SINGLE CARTRIDGE PVC-U FILTER HOUSING PF20 DN50	40	107	1112,13

Ref	Cartridge Type	Weight (kg)	Capacity (Liters)	Nominal Flow Rate (lpm)
FB360	6" x 20"	18,0	24,8	300

Box: WxLxH	Box: Q.ty	Box: Weight	Pallet: WxLxH	Pallet: Q.ty	Pallet: Weight

Certificates	Manufacturer	Sectors
CE	MWG	Industrial

Ref	Description	Fam.	Subfam.	Price Euro
FB361	MWG SINGLE CARTRIDGE PVC-U FILTER HOUSING PF40 DN50	40	107	1271,00

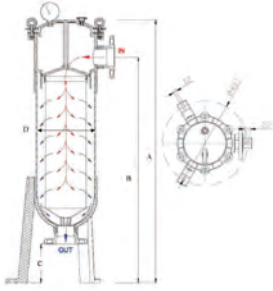
Ref	Cartridge Type	Weight (kg)	Capacity (Liters)	Nominal Flow Rate (lpm)
FB361	6" x 40"	22,3	41,0	300

Box: WxLxH	Box: Q.ty	Box: Weight	Pallet: WxLxH	Pallet: Q.ty	Pallet: Weight

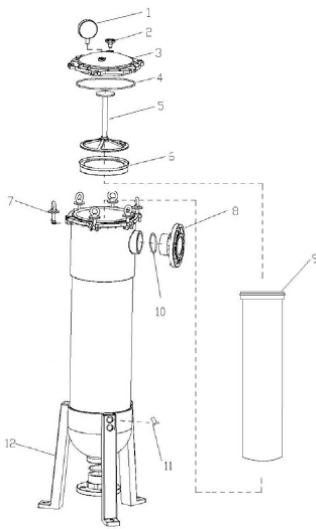
Certificates	Manufacturer	Sectors
CE	MWG	Industrial



High Flow PVC-U Single Cartridge Filter Housings PF Series



Ref	A	B	C	D
FB360	1070	905	165	225
FB361	1560	1395	165	225



Spare Parts

Ref	Description	Fam.	Subfam.	Price Euro
FB367	MWG MANOMETER 0-7 BAR 1/4"	40	107	21,41
FB366	MWG PURGE CAP	40	107	2,44
FB580	MWG FLANGED TOP COVER 225 HPCF/PF/HXP + PURGE CAP+ O-RING	40	108	65,80
FB363	MWG EPDM CLOSURE O-RING HPCF-PF-HXP 225	40	107	10,46
FB368	MWG PVC SPACER	40	107	26,09
FB359	MWG PF FILTER 6" CARTRIDGE SEAL RING	40	107	48,52
FB364	MWG AISI BOLT KIT M10	40	107	16,63
FB370	MWG DN50 FLANGE	40	107	30,91
	Single Cartidges (not included)			
FB362	MWG 2" FLANGE O-RING	40	107	0,70
FB374	MWG SUPPORT LEG FIXING SCREW	40	107	0,91
FB373	MWG SUPPORT LEG	40	107	27,32

Item	Ref	Description	Q.TY	Material
1	FB367	MWG MANOMETER 0-7 BAR 1/4"	1	
2	FB366	MWG PURGE CAP	1	
2+3+4	FB580	MWG FLANGED TOP COVER 225 HPCF/PF/HXP + PURGE CAP+ O-RING	1	
4	FB363	MWG EPDM CLOSURE O-RING HPCF-PF-HXP 225	1	EPDM
5	FB368	MWG PVC SPACER	1	PVC
6	FB359	MWG PF FILTER 6" CARTRIDGE SEAL RING	1	
7	FB364	MWG AISI BOLT KIT M10	6	AISI
8	FB370	MWG DN50 FLANGE	2	
9		Single Cartidges (not included)		
10	FB362	MWG 2" FLANGE O-RING	2	
11	FB374	MWG SUPPORT LEG FIXING SCREW	6	
12	FB373	MWG SUPPORT LEG	3	



High Flow PVC-U Single Cartridge Filter Housings PF Series



Cartridge to coupling

- high flow "special pleated cartridges" single open-ended;
- filter media and support in PP, o-ring seal in EPDM;
- end caps in fiberglass reinforced PP;
- inside to outside flow pattern;
- external diameter = 6" (152 mm);
- recommended maximum ΔP 1,0 bar at 20°C.

Ref	Description	Fam.	Subfam.		Price Euro
FB376	MWG PLEATED CARTRIDGE PP DLHF620PP4.5E	40	107		207,98
FB378	MWG PLEATED CARTRIDGE PP DLHF620PP10E	40	107		201,57
FB379	MWG PLEATED CERTRIDGE PP DLHF620PP20E	40	107		201,98
FB381	MWG PLEATED CARTRIDGE PP DLHF620PP70E	40	107		199,05
FB382	MWG PLEATED CARTRIDGE PP DLHF620PP100E	40	107		197,43

Ref	Lenght (inch)	Micron	Nominal Flow Rate (lpm)
FB376	20"	4,5	660
FB378	20"	10	660
FB379	20"	20	660
FB381	20"	70	660
FB382	20"	100	660

Box: WxLxH	Box: Q.ty	Box: Weight	Pallet: WxLxH	Pallet: Q.ty	Pallet: Weight

Certificates	Manufacturer	Sectors
	MWG	Industrial

Ref	Description	Fam.	Subfam.		Price Euro
FB386	MWG PLEATED CARTRIDGE PP DLHF640PP4.5E	40	107		391,97
FB389	MWG PLEATED CARTRIDGE PP DLHF640PP20E	40	107		379,95
FB391	MWG PLEATED CARTRIDGE PP DLHF640PP70E	40	107		373,83
FB392	MWG PLEATED CARTRIDGE PP DLHF640PP100E	40	107		370,91

Ref	Lenght (inch)	Micron	Nominal Flow Rate (lpm)
FB386	40"	4,5	1300
FB389	40"	20	1300
FB391	40"	70	1300
FB392	40"	100	1300

Box: WxLxH	Box: Q.ty	Box: Weight	Pallet: WxLxH	Pallet: Q.ty	Pallet: Weight

Certificates	Manufacturer	Sectors
	MWG	Industrial



PVC-U Bag Filter System



- PVC-U bag filter housings, with flanged top opening, support legs, in/out female socket weld connections and two 1/4" threaded connections for air valve pressure gauges and for drain filter;
- all filter housing internal material and all internal spare parts are in PVC-U for high chemical corrosion resistance;
- Opening gasket in EPDM material;
- Connection gasket in EPDM material;
- With aeration valve and pressure gauge;
- European 2014/68/EU Dir. compliant for pressure equipment (PED);
- Nominal flow rate = 300 lpm;
- Design pressure = 7,0 bar @ 25°C;
- Hydraulic test pressure = 9,1 bar;
- Max Δp = 1,0 bar;
- Operating temperature = 5 ÷ 40 °C;
- In/Out flanged connections DN50;
- Suitable for bag filter;
- Bag filters dimensions: 7" x 16" and 7" x 32".

Ref	Description	Fam.	Subfam.		Price Euro
FB355	MWG BAG FILTER HOUSING PVC-U MOD. HXP-BF-1-1-B DN50	40	107		1175,42

Ref	Bag Size	Weight (kg)	Capacity (Litres)	Nominal Flow Rate
FB355	7" x 16"	15	17	300

Box: WxLxH	Box: Q.ty	Box: Weight	Pallet: WxLxH	Pallet: Q.ty	Pallet: Weight

Ref	Description	Fam.	Subfam.		Price Euro
FB356	MWG BAG FILTER HOUSING PVC-U MOD. HXP-BF-1-2-B DN50	40	107		1366,67

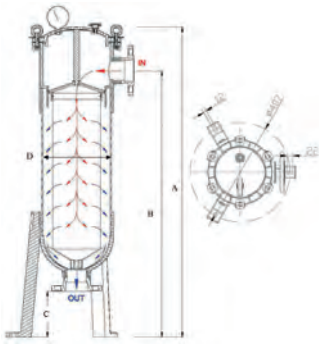
Ref	Bag Size	Weight (kg)	Capacity (Liters)	Nominal Flow Rate
FB356	7" x 32"	20	30	300

Box: WxLxH	Box: Q.ty	Box: Weight	Pallet: WxLxH	Pallet: Q.ty	Pallet: Weight

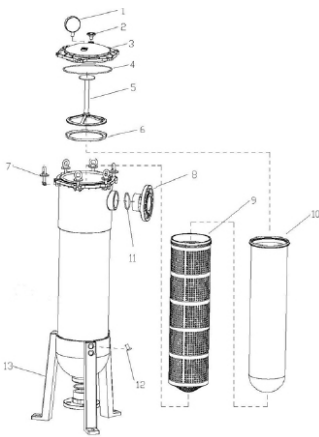
Certificates	Manufacturer	Sectors
CE	MWG	Industrial



PVC-U Bag Filter System



Ref	C	D	A	B
FB355	165	225	845	685
FB356	165	225	1225	1065



Spare Parts

Ref	Description	Fam.	Subfam.	Price Euro
FB367	MWG MANOMETER 0-7 BAR 1/4"	40	107	21,41
FB366	MWG PURGE CAP	40	107	2,44
FB580	MWG FLANGED TOP COVER 225 HPCF/PF/HXP + PURGE CAP+ O-RING	40	108	65,80
FB363	MWG EPDM CLOSURE O-RING HPCF-PF-HXP 225	40	107	10,46
FB368	MWG PVC SPACER	40	107	26,09
FB364	MWG AISI BOLT KIT M10	40	107	16,63
FB370	MWG DN50 FLANGE	40	107	30,91
FB383	MWG PVC 16" FILTER SUPPORT ARMOR	40	107	274,05
FB383A	MWG PVC 32" FILTER SUPPORT ARMOR	40	107	546,38
	Bag Filter (not included)			
FB362	MWG 2" FLANGE O-RING	40	107	0,70
FB374	MWG SUPPORT LEG FIXING SCREW	40	107	0,91
FB373	MWG SUPPORT LEG	40	107	27,32

Rif. N.	Ref	Description	Q.ty	Material
1	FB367	MWG MANOMETER 0-7 BAR 1/4"	1	
2	FB366	MWG PURGE CAP	1	
2+3+4	FB580	MWG FLANGED TOP COVER 225 HPCF/PF/HXP + PURGE CAP+ O-RING	1	
4	FB363	MWG EPDM CLOSURE O-RING HPCF-PF-HXP 225	1	EPDM
5	FB368	MWG PVC SPACER	1	PVC
7	FB364	MWG AISI BOLT KIT M10	6	AISI
8	FB370	MWG DN50 FLANGE	2	
9	FB383	MWG PVC 16" FILTER SUPPORT ARMOR	1	PVC
9	FB383A	MWG PVC 32" FILTER SUPPORT ARMOR	1	PVC
10		Bag Filter (not included)		
11	FB362	MWG 2" FLANGE O-RING	2	
12	FB374	MWG SUPPORT LEG FIXING SCREW	6	
13	FB373	MWG SUPPORT LEG	3	



PVC-U Bag Filter System

PVC-U Bag Filter System

- Inside to outside flow pattern;
- In PP material;
- External diameter = 7" (178 mm);
- Recommended maximum $\Delta p = 1,0$ bar at 20°C.

Ref	Description	Fam.	Subfam.		Price Euro
FB357A	MWG BAG FILTER L= 16" - 1 MICRON	40	107		24,01
FB357B	MWG BAG FILTER L= 16" - 5 MICRON	40	107		24,01
FB357C	MWG BAG FILTER L= 16" - 10 MICRON	40	107		24,01
FB357D	MWG BAG FILTER L= 16" - 25 MICRON	40	107		24,01
FB357E	MWG BAG FILTER L= 16" - 50 MICRON	40	107		24,01
FB357F	MWG BAG FILTER L= 16" - 100 MICRON	40	107		24,01

Ref	Length	Micron	Nominal Flow Rate (lpm)
FB357A	16"	1	330
FB357B	16"	5	330
FB357C	16"	10	330
FB357D	16"	25	330
FB357E	16"	50	330
FB357F	16"	100	330

Ref	Description	Fam.	Subfam.		Price Euro
FB358A	MWG BAG FILTER L= 32" - 1 MICRON	40	107		32,41
FB358B	MWG BAG FILTER L= 32" - 5 MICRON	40	107		32,41
FB358C	MWG BAG FILTER L= 32" - 10 MICRON	40	107		32,41
FB358D	MWG BAG FILTER L= 32" - 25 MICRON	40	107		32,41
FB358E	MWG BAG FILTER L= 32" - 50 MICRON	40	107		32,41
FB358F	MWG BAG FILTER L= 32" - 100 MICRON	40	107		32,41

Ref	Length	Micron	Nominal Flow Rate (lpm)
FB358A	32"	1	660
FB358B	32"	5	660
FB358C	32"	10	660
FB358D	32"	25	660
FB358E	32"	50	660
FB358F	32"	100	660

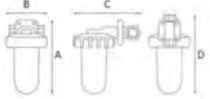
Certificates	Manufacturer	Sectors
CE	MWG	Industrial



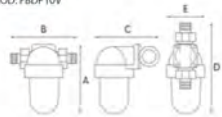
MWG Polyphosphate Proportioning Feeders



COD: FBDP04V COD: FBDP06V



COD: FBDP10V



- Made in European Union (Italy);
- Proportional dosage to water flow through Venturi system;
- Average dosage 3 ppm of P2O5;
- Head in reinforced polypropylene (in brass only for ref. FBDP04V), bowl in SAN, o-ring in EPDM;
- Availability of different models with IN-OUT connections from 1/2" F (with screw dosing setting or bypass) to 1" F;
- With specific plastic wrench (Ref. FBMDR11 for 3/4" and 1" models);
- Max operating pressure 8 bar;
- Range temperature 4 - 45 °C;
- Shipped without Polyphosphate, to order separately.

Ref.	Description	Fam.	Subfam.		Price Euro
FBDP04V	MWG POLYPHOSPHATE FEEDER 1/2" EMPTY WITH SCREW FOR DOSING	40	111		79,70
FBDP06V	MWG POLYPHOSPHATE FEEDER 1/2" EMPTY WITH BYPASS	40	111		62,60
FBDP07V	MWG POLYPHOSPHATE FEEDER 3/4" EMPTY	40	111		225,81
FBDP10V	MWG POLYPHOSPHATE FEEDER 1" EMPTY	40	111		215,01

Ref.	IN-OUT Connections	Max Flow Rate (l/h)	A (mm)	B (mm)	C (mm)	D (mm)	E (mm)
FBDP04V	1/2"	1500	150	65	126	145	
FBDP06V	1/2"	1500	150	65	112	145	
FBDP07V	3/4"	3000	208	164	164	256	105
FBDP10V	1"	5000	208	168	164	259	105

Ref.	Box: WxLxH.	Box: Q.ty	Box: Weight	Pallet: WxLxH.	Pallet: Q.ty	Pallet: Weight
FBDP04V						
FBDP06V						
FBDP07V						
FBDP10V						

Certificates	Manufacturer	Sectors
DM174-2004	MWG	Domestic, Commercial

Spare Parts

Ref.	Description	Fam.	Subfam.		Price Euro
FB DPR04	MWG PLASTIC SPANNER FOR FB DP04V	40	111		4,36
FB DPR06	MWG PLASTIC SPANNER FOR FB DP06V	40	111		1,46
FB MDR11	MWG PLASTIC SPANNER FOR FILTER MD	40	106		1,61

MWG Powder Polyphosphate

Available polyphosphate packages as spare.



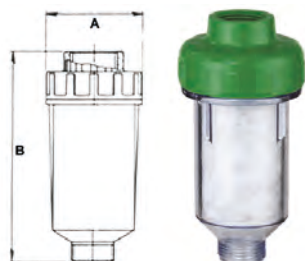
COD: FB347A

Ref	Description	Fam.	Subfam.		Price Euro
FB347C	MWG POLYPHOSPHATE COMPACT POWDER BLISTER (6 REFILL X 80 G)	40	112		17,76
FB347D	MWG POLYPHOSPHATE POWDER PACK 0,5 KG	40	112		10,36
FB347A	MWG POLYPHOSPHATE POWDER BOX 1 KG	40	112		17,02
FB347	MWG POLYPHOSPHATE POWDER BOX 25 KG	40	112		386,43

Certificates	Manufacturer	Sectors
DM174-2004	MWG	Domestic, Commercial



Polyphosphate Crystals Feeder



- polyphosphate crystals feeder antiscalc;
- particular suitable for washing machines – dish washers – boilers;
- initial filling of polyphosphate included;
- max operating pressure 7 bar;
- max operating temperature 35°C.

Ref	Description	Fam.	Subfam.		Price Euro
FBDC07	MWG POLYPHOSPHATE CRYSTAL FEEDER DC 3/4"	40	106		18,41

Ref	A (mm)	B (mm)	Polyphosphate Filling (g)
FBDC07	68	130	160

Box: WxLxH	Box: Q.ty	Box: Weight	Pallet: WxLxH	Pallet: Q.ty	Pallet: Weight

Certificates	Manufacturer	Sectors
STANDARD EN 1208: 2005	MWG	Domestic, Commercial

Polyphosphate Crystals

- based on a mixture of selected high polymerization metaphosphates, in transparent vitreous state white or blue colour;
- typical composition: P2O5 > 60% and Na2O = 30% av.;
- to be used as antiscalc and corrosion inhibitor with water for potable and industrial applications;
- slow dissolution crystals, proportional to crystal size, temperature, pH and water hardness.

Ref	Description	Fam.	Subfam.		Price Euro
FB350	MWG WHITE POLYPHOSPHATE CRYSTALS 5-15 MM BOX 25KG	40	112		362,60
FB350A	MWG WHITE POLYPHOSPHATE CRYSTALS 5-15 MM PACK 1 K	40	112		19,65
FB351	MWG POLYPHOSPHATE CRYSTALS 10-20 MM BOX 25 KG	40	112		362,60
FB351A	MWG POLYPHOSPHATE CRYSTALS 10-20 MM PACK 1 KG	40	112		19,65
FB348	MWG BLUE POLYPHOSPHATE CRYSTALS 5-15 MM BOX 25KG	40	112		466,94
FB348A	MWG BLUE POLYPHOSPHATE CRYSTALS 5-15 MM PACK 1KG	40	112		21,76
FB349	MWG BLUE POLYPHOSPHATE CRYSTALS 10-20MM BOX 25KG	40	112		457,10
FB349A	MWG BLUE POLYPHOSPHATE CRYSTALS 10-20 MM PACK 1KG	40	112		22,24

Box: WxLxH	Box: Q.ty	Box: Weight	Pallet: WxLxH	Pallet: Q.ty	Pallet: Weight

Certificates	Manufacturer	Sectors
STANDARD EN 1208: 2005	MWG	Domestic, Commercial

Liquid Polyphosphate

NOTE: not suitable for Polyphosphate Crystals Feeder.

Designed to use with dosing pump.

Ref	Description	Fam.	Subfam.		Price Euro
FB346	MWG LIQUID POLYPHOSPHATE BOTTLE 1 LITER	40	112		18,69

Certificates	Manufacturer	Sectors
	MWG	Domestic, Commercial

Ion exchange resins, filtering media





Pure Resin PC002



- Gel Strong Acid Cation Exchange Resin;
- Light coloured;
- Gel type sulfonated polystyrene cation resin supplied in the sodium form as moist, tough uniform spherical beads.
- Well suited for industrial, commercial or residential softening applications;
- High capacity and good physical stability;
- Shipped in 25 liter bags.

Ref	Description	Fam.	Subfam.		Price Euro/Litre
RA300	STRONG CATION GEL PURE RESIN PC002 (Na)	65	300		4,29
RA300A	STRONG CATION GEL PURE RESIN PC002 (Na) BIG BAG1200 LT	65	300		4,29

Polymer Matrix Structure	Polystyrene crosslinked with 7% DVB
Functional Group	R-(SO3)-M+
Ionic Form, as shipped	Sodium (Na+)
Physical Form and Appearance	Clear Spherical Beads
Sphericity	95% min
Screen Size Range - U.S. Standard Screen	16 ÷ 50 mesh, wet
Particle Size Range	+1,2 mm < 5%, - 0,3 mm < 1%
Uniformity Coefficient	1,6 max
Water Retention, Na+ form	45 ÷ 50%
Swelling Na+ → H+	10% max
Ca2+ → Na+	5% max
Shipping Weight, Na+ form	770 ÷ 870 g/l (50 lbs/cu.ft, approx.)
Total Exchange Capacity, Na+ form	1,9 eq/l min.
pH Range	0 ÷ 14

Suggested Operating Conditions	
Maximum Temperature Na+ form	120°C (248°F)
Maximum Temperature H+ form	100°C (212°F)
Minimum Bed Depth	0,6 m (24")
Minimum Bed Depth	8 ÷ 20% NaCl or saturated salt water
Regeneration	
Regenerant Concentration	8 ÷ 20% NaCl or saturated salt water
Flow Rate	2 ÷ 4 BV/h (0,25 ÷ 0,50 gpm/cu.ft)
Flow Rate	At least 30 Minutes
Displacement Rinse Rate	Same as Regenerant Flow Rate
Displacement Rinse Volume	Same as Service Flow Rate
Fast Rinse Rate	Same as Service Flow Rate
Fast Rinse Volume	3 ÷ 4 BV (22,5 ÷ 30 gallons/cu.ft)
Service Flow Rate	10 ÷ 50 BV/h (1,25 ÷ 6,25 gpm/cu.ft)

Box: WxLxH	Box: Q.ty	Box: Weight	Pallet: WxLxH	Pallet: Q.ty	Pallet: Weight

Certificates	Manufacturer	Sectors
DM174-2004 ACS NSF44 NSF61	Pure Resin	Domestic, Commercial, Industrial



Pure Resin PC003



- Gel Strong Acid Cation Exchange Resin;
- High capacity premium grade bead form, conventional gel polystyrene sulphonate cation exchange resin supplied in the sodium or hydrogen form;
- Intended for use in all water softening, dealcalisation, deionization and chemical processing applications, such as the following:
- In H form (PC003H), can be used in multiple and mixed bed demineralizers with strong base;
- Anion exchangers such as Pure PA101, PA102 and PA103 in OH- form.
- Well suited for industrial, commercial or residential softening applications because of its high capacity and good physical stability;
- Shipped in 25 liter bags.

Ref	Description	Fam.	Subfam.		Price Euro/Litre
RA310	STRONG CATION GEL PURE RESIN PC003 (Na) HIGH CAPACITY	65	300		4,45

Polymer Matrix Structure	Clear Spherical Beads
Functional Group	R-(SO ₃) ⁻ M ⁺
Ionic Form, as shipped	Na ⁺ / H ⁺
Physical Form and Appearance	Clear Spherical Beads
Sphericity	95% min
Screen Size Range US Standard Screen	16 ÷ 50 mesh, wet
Particle Size Range	+1,2 mm < 5%, - 0,3 mm < 1%
Uniformity Coefficient	1,6 max
Water Retention, Na ⁺ form - H form	43 ÷ 48% - 50 ÷ 56%
Swelling Na ⁺ → H ⁺	10% max
Swelling Ca ²⁺ → Na ⁺	5% max
Shipping Weight, Na ⁺ form	780 ÷ 880 g/l (51 lbs/cu.ft, approx.)
Shipping Weight, Ca ²⁺ → Na ⁺	770 ÷ 870 g/l (50 lbs/cu.ft, approx.)
Total Exchange Capacity, Na ⁺ form	2,0 eq/l min.
Total Exchange Capacity, H ⁺ form	1,9 eq/l min.
pH Range	0 ÷ 14

Suggested Operating Conditions	
Maximum Temperature Na form	150°C (300°F) max
Maximum Temperature H form	100°C (212°F) max
Minimum Bed Depth	0,6 m (24")
Backwash Rate	25 ÷ 50% Bed Expansion
Regeneration	
Sodium Cycle	8 ÷ 20% NaCl
Hydrogen Cycle	5 ÷ 10% HCl, 2-8% H ₂ SO ₄
Flow Rate	2 ÷ 7 BV/h (0,25 ÷ 0,90 gpm/cu.ft)
Displacement Rinse Rate	Same as Regenerate Flow Rate
Displacement Rinse Volume	1,4 ÷ 2,0 BV (10 ÷ 15 gallons/cu.ft)
Fast Rinse Rate	Same as Service Flow Rate
Fast Rinse Volume	4 ÷ 8 BV (30 ÷ 60 gallons/cu.ft)
Service Flow Rate	10 ÷ 50 BV/h (1,25 ÷ 6,25 gpm/cu.ft)

Box: WxLxH	Box: Q.ty	Box: Weight	Pallet: WxLxH	Pallet: Q.ty	Pallet: Weight

Certificates	Manufacturer	Sectors
DM174-2004 NSF44 NSF61	Pure Resin	Domestic, Commercial, Industrial



Pure Resin PC003UN-NA



- Gel Strong Acid Cation Exchange Resin with high uniformity coefficient;
- High capacity premium grade bead form, conventional gel polystyrene sulphonate cation exchange resin supplied in the sodium or hydrogen form;
- Intended for use in all water softening, dealcalisation, deionization and chemical processing applications, such as the following:
- In H form (PC003HUN), can be used in multiple and mixed bed demineralizers with strong base;
- Anion exchangers such as Pure PA101, PA102 and PA103 in OH- form.
- Well suited for industrial, commercial or residential softening applications because of its high capacity and good physical stability;
- Shipped in 25 liter bags.

Ref	Description	Fam.	Subfam.		Price Euro/Litre
RA312	STRONG CATION GEL PURE RESIN PC003UN-Na	65	300		5,07

Polymer Matrix Structure	Polystyrene crosslinked with 8% DVB
Functional Group	R-(SO3) ⁻ M ⁺
Ionic Form, as shipped	Na ⁺
Physical Form and Appearance	Clear Spherical Beads
Sphericity	95% min
Screen Size Range US Standard Screen	25 ÷ 35 mesh, wet
Particle Size Range	0,5 ÷ 0,71 mm ≥ 95%
Uniformity Coefficient	1,15 max
Water Retention, Na ⁺ form -H form	43 ÷ 48% - 47 ÷ 54% i
Swelling Na ⁺ → H ⁺	10% max
Swelling Ca ²⁺ → Na ⁺	5% max
Shipping Weight, Na ⁺ form	780 ÷ 880 g/l (51 lbs/cu.ft, approx.)
Shipping Weight, H form	770 ÷ 870 g/l (50 lbs/cu.ft, approx.)
Total Exchange Capacity, Na ⁺ form	2,0 eq/l min.
Total Exchange Capacity, H form	1,9 eq/l min.
pH Range	0 ÷ 14

Suggested Operating Conditions	
Maximum Temperature Na ⁺	150°C (300°F) max
Maximum Temperature H ⁺	100°C (212°F) max
Minimum Bed Depth	0,6 m (24")
Backwash Rate	25 ÷ 50% Bed Expansion
Regeneration	
Sodium Cycle	8 ÷ 20% NaCl
Hydrogen Cycle	5 ÷ 10% HCl, 2-8% H2SO4
Flow Rate	2 ÷ 7 BV/h (0,25 ÷ 0,90 gpm/cu.ft)
Displacement Rinse Rate	Same as Regenerate Flow Rate
Displacement Rinse Volume	1,4 ÷ 2,0 BV (10 ÷ 15 gallons/cu.ft)
Fast Rinse Rate	Same as Service Flow Rate
Service Flow Rate	4 ÷ 8 BV (30 ÷ 60 gallons/cu.ft)
Service Flow Rate	10 ÷ 50 BV/h (1,25 ÷ 6,25 gpm/cu.ft)

Box: WxLxH	Box: Q.ty	Box: Weight	Pallet: WxLxH	Pallet: Q.ty	Pallet: Weight

Certificates	Manufacturer	Sectors
DM174-2004 NSF44 NSF61	Pure Resin	Domestic, Commercial, Industrial



Pure Resin PC100NA



- Macroporous Strong Acid Cation Exchange Resin;
- Macroporous poly (styrene sulphonate) cation exchange resin with excellent resistance to both osmotic and thermal shock;
- Supplied as spherical beads;
- Used for water softening with high level of DVB;
- Also widely used in mixed bed demineralizers where high hydraulic demands exist and high resistance to mechanical thermal and oxidative stresses are required, such as condensate polishing, chemical processing, hydrometallurgy, sugar treatment;
- Shipped in 25 liter bags.

Ref	Description	Fam.	Subfam.		Price Euro/Litre
RA318	STRONG CATION MACROPOROUS PURE RESIN PC100 (Na)	65	300		6,82

Typical physical and chemical characteristics	
Structure of the polymer matrix	Polystyrene with 8% of DVB
Functional Group	R-(SO ₃) ⁻ M
Ionic Form, as shipped	Na
Physical Form and Appearance	Spherical clear grains
Sphericity	95% minimo
Screen Size Range US Standard Screen	16 ÷ 50 mesh, a umido
Particle Size Range	+1,2 mm < 5%, - 0,3 mm < 1%
Uniformity Coefficient	1,6 al massimo
Water Retention	45 ÷ 55%
Swelling Na ⁺ → H ⁺	10% al massimo
Shipping Weight	760 ÷ 830 g/l (50 lbs/cu.ft, approx.)
Total exchange capacity	1,8 eq/l min
pH Range	0 ÷ 14

Suggested Operating Conditions	
Maximum Temperature	150°C (300°F) max
Minimum Bed Depth	0,6 m (24")
Backwash Rate	2 ÷ 7 BV/h (0,25 ÷ 0,90 gpm/cu.ft)
Regeneration	8 ÷ 20% NaCl
Flow Rate	2 ÷ 7 BV/h (0,25 ÷ 0,90 gpm/cu.ft)
Contact Time	At least 20 Minutes
Displacement Rinse Rate	Same as Regenerant Flow Rate
Displacement Rinse Volume	1,4 ÷ 2,0 BV (10 ÷ 15 galloni/cu.ft)
Fast Rinse Rate	Uguale alla portata di esercizio
Fast Rinse Volume	4 ÷ 8 BV (30 ÷ 60 galloni/cu.ft)
Service Flow Rate	10 ÷ 50 BV/h (1,25 ÷ 6,25 gpm/cu.ft)

Box: LxPxH	Box: Q.tà	Box: Peso	Pallet: LxPxH	Pallet: Q.tà	Pallet: Peso

Certificates	Manufacturer	Sectors
DM174-2004	Pure Resin	Industrial



Pure Resin PC100H



- Macroporous Strong Acid Cation Exchange Resin;
- Macroporous poly (styrene sulphonate) cation exchange resin with excellent resistance to both osmotic and thermal shock;
- Supplied as spherical beads;
- Used for water softening with high level of DVB;
- Also widely used in mixed bed demineralizers where high hydraulic demands exist and high resistance to mechanical thermal and oxidative stresses are required, such as condensate polishing, chemical processing, hydrometallurgy, sugar treatment;
- Shipped in 25 liter bags.

Ref	Description	Fam.	Subfam.		Price Euro/Litre
RA320	STRONG CATION MACROPOROUS PURE RESIN PC100 (H)	65	300		6,62

Polymer Matrix Structure	Polystyrene crosslinked with 8% DVB
Functional Group	R-(SO ₃) ⁻ M ⁺
Ionic Form, as shipped	H ⁺
Physical Form and Appearance	Clear Spherical Beads
Sphericity	95% min
Screen Size Range US Standard Screen	16 ÷ 50 mesh, wet
Particle Size Range	+1,2 mm < 5%, - 0,3 mm < 1%
Uniformity Coefficient	1,6 max
Water Retention	50 ÷ 60%
Swelling Na ⁺ → H ⁺	10% max
Shipping Weight, Na ⁺ form	760 ÷ 830 g/l (50 lbs/cu.ft, approx.)
Total Exchange Capacity	1,7 eq/l min.
pH Range	0 ÷ 14

Suggested Operating Conditions	
Maximum Temperature	120°C (248°F) max
Minimum Bed Depth	0,6 m (24")
Backwash Rate	2 ÷ 7 BV/h (0,25 ÷ 0,90 gpm/cu.ft)
Regeneration	5 ÷ 10% HCl, 2 ÷ 8% H ₂ SO ₄
Flow Rate	2 ÷ 7 BV/h (0,25 ÷ 0,90 gpm/cu.ft)
Contact Time	At least 20 Minutes
Displacement Rinse Rate	Same as Regenerant Flow Rate
Displacement Rinse Volume	1,4 ÷ 2,0 BV (10 ÷ 15 gallons/cu.ft)
Fast Rinse Rate	Same as Service Flow Rate
Fast Rinse Volume	4 ÷ 8 BV (30 ÷ 60 gallons/cu.ft)
Service Flow Rate	10 ÷ 50 BV/h (1,25 ÷ 6,25 gpm/cu.ft)

Box: WxLxH	Box: Q.ty	Box: Weight	Pallet: WxLxH	Pallet: Q.ty	Pallet: Weight

Certificates	Manufacturer	Sectors
	Pure Resin	Industrial



Pure Resin PA103OH



- Gel Strong Base Anion Exchange Resin;
- It is a Type II, gel strong-base anion exchange resin, with high capacity and excellent regeneration efficiency;
- Supplied as spherical beads in the hydroxyl form;
- It removes all ions including silica and CO₂, anyway, it operates best on waters having a high percentage of strong acids (FMA);
- Intended for use in all type of dealcalisation, demineralization, deionization and chemical processing applications;
- Shipped in 25 liter bags.

Ref	Description	Fam.	Subfam.		Price Euro/Litre
RA340	STRONG ANION GEL TYPE II PURE RESIN PA103 (OH)	65	300		11,78

Polymer Matrix Structure	Polystyrene crosslinked with divinylbenzene
Functional Group	R-(SO ₃) ⁻ M ⁺
Ionic Form, as shipped	Hydroxyl (OH ⁻)
Physical Form and Appearance	Clear Spherical Beads
Sphericity	95% min
Screen Size Range US Standard Screen	16 ÷ 50 mesh, wet
Particle Size Range	+1,2 mm < 5%, - 0,3 mm < 1%
Uniformity Coefficient	1,6 max
Water Retention, Cl ⁻ form	45 ÷ 50%
Swelling Cl ⁻ → OH ⁻	15% max
Weight, Cl ⁻ form	680 ÷ 760 g/l (44 lbs/cu.ft, approx.)
Total Exchange Capacity, Cl ⁻ form	1,3 eq/l min.
pH Range	0 ÷ 14

Suggested Operating Conditions	
Maximum Temperature, Cl ⁻ form	60°C (140°F) max
Maximum Temperature, OH ⁻ form	40°C (105°F) max
Minimum Bed Depth	0,6 m (24")
Backwash Rate	50 ÷ 75% Bed Expansion
Regeneration	
Regenerant Concentration	2 ÷ 6% NaOH
Flow Rate	2 ÷ 4 BV/h (0,25 ÷ 0,50 gpm/cu.ft)
Contact Time	At least 60 Minutes
Displacement Rinse Rate	1,4 ÷ 2 BV (10 ÷ 15 gallons/cu.ft)
Displacement Rinse Volume	1,4 ÷ 2 BV (10 ÷ 15 gallons/cu.ft)
Fast Rinse Rate	Same as Service Flow Rate
Fast Rinse Rate	4 ÷ 8 BV (30 ÷ 60 gallons/cu.ft)
Service Flow Rate	10 ÷ 50 BV/h (1,25 ÷ 6,25 gpm/cu.ft)

Box: WxLxH	Box: Q.ty	Box: Weight	Pallet: WxLxH	Pallet: Q.ty	Pallet: Weight

Certificates	Manufacturer	Sectors
	Pure Resin	Industrial



Pure Resin PA201(CL)



- Macroporous Strong Base Anion Exchange Resin;
- It is a Type II, gel strong-base anion exchange resin;
- Supplied wet as spherical beads in the chloride form;
- It has a high operating capacity, especially on high-FMA feedwaters, as well as a high reversible sorptive capacity for complex organic materials, such as the fulvic and humic acids which occur in many surface water supplies;
- It is recommended for use in waters with low silica loads. For high silica waters, a type I anion resin such as Pure PA200 is recommended;
- Shipped in 25 liter bags.

Ref	Description	Fam.	Subfam.		Price Euro/Litre
RA342	STRONG ANION MACROPOROUS TYPE II PURE RESIN PA201(Cl)	65	300		11,37

Polymer Matrix Structure	Macroporous polystyrene crosslinked with divinylbenzene
Functional Group	R-N(CH ₃) ₂ (C ₂ H ₄ OH)+
Ionic Form, as shipped	Chloride (Cl ⁻)
Physical Form and Appearance	Opaque light yellowish spherical beads
Sphericity	95% min
Screen Size Range US Standard Screen	16 ÷ 50 mesh, wet
Particle Size Range	+1,2 mm < 5%, - 0,3 mm < 1%
Uniformity Coefficient	1,6 max
Water Retention, Cl ⁻ form	47 ÷ 57%
Swelling Cl ⁻ → OH ⁻	10% max
Weight, Cl ⁻ form	1,2 eq/l min.
Total Exchange Capacity, Cl ⁻ form	1,2 eq/l min.
pH Range	0 ÷ 14

Suggested Operating Conditions	
Maximum Temperature, Cl ⁻ form	60°C (140°F) max
Maximum Temperature, OH ⁻ form	40°C (105°F) max
Minimum Bed Depth	0,8 m (30")
Backwash Rate	50 ÷ 75% Bed Expansion
Regeneration, Regenerant Concentration	2 ÷ 5% NaOH
Service/fast rinse	5 ÷ 50 m/h (2 ÷ 20 gpm/ft ²)
Co-current regeneration/displacement rinse	1 ÷ 10 m/h (0,4 ÷ 4 gpm/ft ²)
Total rinse requirement	3 ÷ 5 Bed volumes
Temperature	Ambient up to 35°C (95°F) for silica removal

Box: WxLxH	Box: Q.ty	Box: Weight	Pallet: WxLxH	Pallet: Q.ty	Pallet: Weight

Certificates	Manufacturer	Sectors
	Pure Resin	Industrial



Pure Resin PA300



- Macroporous Weak Base Anion Exchange Resin;
- It is a macroporous polystyrene weak-base anion exchange resin having tertiary amine functionality;
- It has superior kinetics and greater resistance to oxidation and osmotic shock, high chemical and physical stability;
- Intended primarily for use in multiple bed demineralizers;
- It can be used in a two-bed system following a strong acid cation exchanger such as Pure PC003 where weak acid ions (silica and carbon dioxide) do not have to be removed;
- It can also be used in a separate bed, ahead of the strong base exchanger to remove organics and strong acid ions;
- Shipped in 25 liter bags.

Ref	Description	Fam.	Subfam.		Price Euro/Litre
RA350	WEAK ANION MACROPOROUS PURE RESIN PA300	65	300		10,73

Polymer Matrix Structure	Polystyrene crosslinked with divinylbenzene
Functional Group	R-N-(CH ₃) ₂
Ionic Form, as shipped	Free Base
Physical Form and Appearance	Spherical Beads
Sphericity	95% min
Screen Size Range US Standard Screen	16 ÷ 50 mesh, wet
Particle Size Range	+1,2 mm < 5%, - 0,3 mm < 1%
Uniformity Coefficient	1,6 max
Water Retention, Cl ⁻ form	50 ÷ 60%
Swelling Cl ⁻ → OH ⁻	25% max.
Weight, Cl ⁻ form	650 ÷ 720 g/l (42 lbs/cu.ft, approx.)
Total Exchange Capacity, Cl ⁻ form	1,4 eq/l min.
pH Range	0 ÷ 14

Suggested Operating	
Maximum Temperature	100°C (212°F) max
Minimum Bed Depth	0,6 m (24")
Backwash Rate	50 ÷ 75% Bed Expansion
Regeneration	
Regenerant Concentration	2 ÷ 6% NaOH
Flow Rate	2 ÷ 8 BV/h (0,25 ÷ 1,00 gpm/cu.ft)
Contact Time	At least 60 Minutes
Displacement Rinse Rate	Same as Regenerant Flow Rate
Displacement Rinse Volume	1,4 ÷ 2 BV (10 ÷ 15 gallons/cu.ft)
Fast Rinse Rate	Same as Service Flow Rate
Fast Rinse Volume	4,9 ÷ 8 BV (35 ÷ 60 gallons/cu.ft)
Service Flow Rate	16 ÷ 32 BV/h (2,0 ÷ 4,0 gpm/cu.ft)

Box: WxLxH	Box: Q.ty	Box: Weight	Pallet: WxLxH	Pallet: Q.ty	Pallet: Weight

Certificates	Manufacturer	Sectors
	Pure Resin	Industrial



Pure Resin PA202



- Nitrate Selective Resin;
- Macroporous strong base anion exchange resin supplied in the chloride form as moist, tough, spherical beads, specially designed for the removal of nitrates from water;
- The macroporous matrix and special ion exchange group functionality imparts ideal nitrate selectivity to Pure PA202 making this resin particularly suitable for nitrate removal even when moderate to high sulphate concentrations are present;
- Shipped in 25 liter bags.

Ref	Description	Fam.	Subfam.		Price Euro/Litre
RA360	STRONG ANION NITRATES SELECTIVE PURE RESIN PA202	65	300		11,23

Polymer Matrix Structure	Macroporous, Styrene with DVB
Functional Group	R-N-R3+ Cl-
Ionic Form, as shipped	Cl-
Physical Form and Appearance	Clear Spherical Beads
Sphericity	95% min
Screen Size Range US Standard Screen	16 ÷ 50 mesh, wet
Particle Size Range	+1,2 mm < 5%, - 0,3 mm < 1%
Uniformity Coefficient	1,6 max
Water Retention, Cl- form	52 ÷ 56%
Shipping Weight	680 ÷ 730 g/l (42 ÷ 45,5 lbs/cu.ft, approx.)
Total Exchange Capacity	1,0 eq/l min.
Max Operating Temperature	100°C (212°F) max.
pH Range	0 ÷ 14

Suggested Operating Conditions	
Maximum Operating Temperature	100°C (212°F) max
Working Exchange Capacity 25°C	≥ 0,3 meq/l (wet)
Concentration of Regenerate Solution	NaCl: 8 ÷ 10%
Consumption of Regenerate	NaCl (8 ÷ 10%) Vol. : Resin Vol. = 2 ÷ 3 : 1
Flow Rate of Regenerate Solution	4 ÷ 6 (m/hr)
Flow Rate of Regenerate Solution	30 ÷ 60 (minute)
Rinse Flow Rate	15 ÷ 25 (m/hr)
Rinse Time (minute)	25 (approx.)
Operating Flow Rate	15 ÷ 25(m/hr)

Box: WxLxH	Box: Q.ty	Box: Weight	Pallet: WxLxH	Pallet: Q.ty	Pallet: Weight

Certificates	Manufacturer	Sectors
DM174-2004	Pure Resin	Domestic, Commercial, Industrial



Pure Resin PMB101-2



- Mixed Bed Resin;
- It is a high capacity mixed bed ion exchange resin consisting of a mixture of a gel, Type I strong base anion resin and a gel strong acid cation resin for direct water purification;
- The conductivity is around 0,1 us/cm;
- Suitable for use in regenerable or non-regenerable cartridges, for deionization with high silica removal efficiency and refine water for electrical home applications;
- Shipped in 25 liter bags.

Ref	Description	Fam.	Subfam.		Price Euro/Litre
RA370	MIXED BED PURE RESIN PMB101-2	65	300		9,36

Polymer Matrix Structure	Gel polystyrene crosslinked with DVB
Functional Group: Cation	R-SO3- H+
Functional Group: Anion	R4-N-OH-
Ionic Form, as shipped	H+ / OH-
Physical Form and Appearance	Spherical Beads
Sphericity	95% min
Screen Size Range US Standard Screen	16 ÷ 50 mesh, wet
Particle Size Range	+1,2 mm < 5%, - 0,3 mm < 1%
Volume Ratio (as shipped) Cation	40% PC003H
Volume Ratio (as shipped) Anion	60% PA101OH
Total Exchange Capacity, Cation (in Na+ form)	2,0 eq/l min.
Total Exchange Capacity, Cation (in H+ form)	1,9 eq/l min.
Total Exchange Capacity, Anion (in Cl- form)	1,0 eq/l min.
Total Exchange Capacity, Anion (in OH- form)	1,0 eq/l min.
Water Retention, H+ form	45 ÷ 50%
Water Retention, OH+ form	53 ÷ 60%
Water Retention, H+ form	700 ÷ 740 g/l (44 ÷ 46 lbs/cu.ft, approx.)
Max temperature	60°C (140°F)
pH Range	0 ÷ 14

Suggested Operating Conditions	
Minimum Bed Depth	0,6 m (24")
Service Flow Rate	20 ÷ 60 BV/h (2,5 ÷ 7,5 gpm/cu.ft)
Limitations	Extended exposure to strong oxidizers, such as chlorine, hydrogen peroxide and concentrated nitric acid, degrade the structural backbone of the resin and should be avoided

Box: WxLxH	Box: Q.ty	Box: Weight	Pallet: WxLxH	Pallet: Q.ty	Pallet: Weight

Certificates	Manufacturer	Sectors
	Pure Resin	Industrial



Pure Resin PMB102-2



- Mixed Bed Resin;
- It is a high capacity mixed bed ion exchange resin consisting of a mixture of a gel, Type I strong base anion resin and a gel strong acid cation resin for direct water purification;
- The conductivity is around 0,1 us/cm;
- Suitable for use in regenerable or non-regenerable cartridges, for deionization with high silica removal efficiency and applications for treatment of the R.O. permeate;
- Shipped in 25 liter bags.

Ref	Description	Fam.	Subfam.		Price Euro/Litro
RA372	MIXED BED PURE RESIN PMB102-2 (REFINING PERMEATEWATER)	65	300		9,59

Polymer Matrix Structure	Gel polystyrene crosslinked with DVB
Polymer Matrix Structure: Cation	R-SO3- H+
Polymer Matrix Structure: Anion	R4-N-OH-
Ionic Form, as shipped	H+ / OH-
Ionic Form, as shipped	Spherical Beads
Sphericity	95% min
Screen Size Range US Standard Screen	16 ÷ 50 mesh, wet
Particle Size Range	+1,2 mm < 5%, - 0,3 mm < 1%
Volume Ratio (as shipped): Cation	40% PC003H
Volume Ratio (as shipped): Anion	60% PA102OH
Total Exchange Capacity, (Cation (in Na+ form))	2,0 eq/l min.
Total Exchange Capacity, Cation (in H+ form)	1,9 eq/l min.
Total Exchange Capacity, Anion (in Cl- form)	1,3 eq/l min.
Total Exchange Capacity, Anion (in OH- form)	1,0 eq/l min.
Water Retention, H+ form	45 ÷ 50%
Water Retention, OH+ form	48 ÷ 58%
Shipping Weight (Approx.)	700 ÷ 740 g/l (44 ÷ 46 lbs/cu.ft, approx.)
Max temperature: Non-regenerative bed	100°C (212°F)
Max temperature: Regenerative bed	60°C (140°F)
pH Range	0 ÷ 14

Suggested Operating Conditions	
Minimum Bed Depth	0,6 m (24")
Service Flow Rate	20 ÷ 60 BV/h (2,5 ÷ 7,5 gpm/cu.ft)
Limitations	Extended exposure to strong oxidizers, such as chlorine, hydrogen peroxide and concentrated nitric acid, degrade the structural backbone of the resin and should be avoided

Box: WxLxH	Box: Q.ty	Box: Weight	Pallet: WxLxH	Pallet: Q.ty	Pallet: Weight

Certificates	Manufacturer	Sectors
	Pure Resin	Industrial



Pure Resin PMB101-3



- Mixed Bed Resin;
- It is a high capacity mixed bed ion exchange resin consisting of a mixture of a gel, Type I strong base anion resin and a gel strong acid cation resin for direct water purification;
- The conductivity is around 0,06 us/cm;
- Suitable for use in regenerable or non-regenerable cartridges, for deionization with high silica removal efficiency and ultrapure water production applications;
- Shipped in 25 liter bags.

Ref	Description	Fam.	Subfam.		Price Euro/Litre
RA374	MIXED BED PURE RESIN PMB101-3 (PURE WATER 12 - 16MOhm)	65	300		9,59

Polymer Matrix Structure	Gel polystyrene crosslinked with DVB
Functional Group: Cation	R-SO3- H+
Functional Group: Anion	R4-N-OH-
Ionic Form, as shipped	H+ / OH-
Physical Form and Appearance	Spherical Beads
Sphericity	95% min
Screen Size Range US Standard Screen	16 ÷ 50 mesh, wet
Particle Size Range	+1,2 mm < 5%, - 0,3 mm < 1%
Volume Ratio (as shipped) Cation	40% PC003H
Volume Ratio (as shipped) Anion	60% PA101OH
Total Exchange Capacity, Cation (in Na+ form)	2,0 eq/l min.
Total Exchange Capacity, Cation (in H+ form)	1,9 eq/l min.
Total Exchange Capacity, Anion (in Cl- form)	1,3 eq/l min.
Total Exchange Capacity, Anion (in OH- form)	1,0 eq/l min.
Water Retention, H+ form	45 ÷ 50%
Water Retention, OH+ form	53 ÷ 60%
Shipping Weight (Approx.)	700 ÷ 740 g/l (44 ÷ 46 lbs/cu.ft, approx.)
Max temperature: Non-regenerative bed	100°C (212°F)
Max temperature: Regenerative bed	60°C (140°F)
pH Range	0 ÷ 14

Suggested Operating Conditions	
Minimum Bed Depth	0,6 m (24")
Service Flow Rate	20 ÷ 60 BV/h (2,5 ÷ 7,5 gpm/cu.ft)
Limitations	Extended exposure to strong oxidizers, such as chlorine, hydrogen peroxide and concentrated nitric acid degrade the structural backbone of the resin and should be avoided.

Box: WxLxH	Box: Q.ty	Box: Weight	Pallet: WxLxH	Pallet: Q.ty	Pallet: Weight

Certificates	Manufacturer	Sectors
	Pure Resin	Industrial



Pure Resin PS400



- Selective removal of polyvalent ions;
- Macroporous Weak Acid Cation Exchange Resin;
- it is based on the iminodiacetic acid functional group, which has chelating properties for heavy metal ions even against high concentrations of calcium;
- It finds use in processes for extraction and recovery of metals from ores, galvanic plating solutions, picking baths and effluents;
- Shipped in 25 liter bags.

Ref	Description	Fam.	Subfam.		Price Euro/Litre
RA376	WEAK CATION POLYVALENT IONS SELECTIVE PURE RESINPS400	65	300		23,27

Polymer Matrix Structure	Macroporous, Styrene / DVB
Functional Group	Iminodiacetic
Functional Group	Na+
Physical Form and Appearance	Milky White Spherical Beads
Sphericity	95% min
Screen Size Range US Standard Screen	16 ÷ 50 mesh, wet
Particle Size Range	0,30 ÷ 1,20 mm ≥ 95
Uniformity Coefficient	1,6 max.
Water Retention, Na+ form	55 ÷ 65%
Reversible Swelling H+ → Na+	40% max.
Shipping Weight	720 ÷ 780 g/l (45 lbs/cu.ft, approx.)
Total Exchange Capacity, Na+ form	≥ 1.0 meq/ml
pH Range	6 ÷ 11

Suggested Operating Conditions	
Maximum Temperature, H+ form	100°C (212°F) max.
Operating Flow Rate	15 ÷ 45 (m/hr)
Method of Regeneration	pass 1 eq/l HCl 2~4 BV in 1~1,5 hours, rinse with DI water or soft water until pH = 3~4; pass 1 eq/l NaOH 2~4 BV in 1,5~2 hours, rinse with DI water or soft water until pH = 9

Box: WxLxH	Box: Q.ty	Box: Weight	Pallet: WxLxH	Pallet: Q.ty	Pallet: Weight

Certificates	Manufacturer	Sectors
DM174-2004	Pure Resin	Industrial



Greensand Plus



- Filter media used for removing soluble iron, manganese, hydrogen sulphide, arsenic and radium from well water supplies;
- The Manganese Greensand Plus has a manganese dioxide coated surface that acts as a catalyst in the oxidation-reduction of iron and manganese;
- The silica sand core allows to better withstand operating conditions in waters that are low in silica, TDS and hardness;
- A pre-filtration with sand and anthracite is recommended;
- The Manganese Greensand Plus can be used in CR (continuous regeneration) or IR (intermittent regeneration) and requires no changes in backwash rate or times or chemical feeds;
- The removal of iron and manganese can be made by using oxidant as chlorine, even in the presence of manganese;
- Not shipped in regenerated form; prior to use it is necessary to regenerate with a solution of potassium permanganate contacting the bed for a minimum of 4 hours. A regeneration level of 4 g of potassium permanganate per liter is recommended. Before placing in service the filter must be rinsed of all remaining traces of potassium permanganate;
- Dosage Cl₂ (mg/l) = 1 mg/l Fe + 3 mg/l Mn + 6 mg/l H₂S + 8 mg/l NH₃ for service flow rate continuous;
- Available in 14,2 liters bags.

Ref	Description	Fam.	Subfam.		Price Euro
RA074	MANGANESE GREENSAND PLUS BAG 14,2 LT	65	315		79,27

Physical properties		Operating conditions	
Colour	black	pH range	6,2 ÷ 8,8
Specific gravity (g/l)	2400	Service flow rate continuous / intermittent (m ³ /h m ²)	12 ÷ 29
Bulk density (g/l)	1410	Backwash flow rate @13°C (m ³ /h m ²)	30
Effective size (mm)	0,30 ÷ 0,35	Backwash bed expansion (%)	35 ÷ 40
Uniform coefficient	1,6	Pressure drop (psi)	10 ÷ 18

Recommended Operating Guidelines	Intermittently Regeneration (IR)	Recommended Operating Guidelines	
Minimum bed depth (mm)	750 single media:380 each for dual media beds	Minimum bed depth (mm)	500 Greensand Plus and 380 Anthracite
Backwash Duration	10 minutes (until water is CLEAR)	Backwash Duration	10 minutes (until water is clear)
Regenerant Dosage 6,5% Bleach	65 liters / m ³ diluted in approx. 25 liters of water injected over 30 ÷ 40 minutes		
Regenerant Dosage 12% Bleach	25 liters / m ³ diluted in approx. 25 liters of water injected over 30 ÷ 40 minutes		

Box: WxLxH	Box: Q.ty	Box: Weight	Pallet: WxLxH	Pallet: Q.ty	Pallet: Weight

Certificates	Manufacturer	Sectors
NSF61		Domestic, Commercial, Industrial



BIRM



- Granular filter media used for the reduction of iron and manganese dissolved in the water. In ground water the dissolved iron is usually in the ferrous bicarbonate state and is not filterable; BIRM acts as an insoluble catalyst to enhance the reaction between dissolved oxygen and iron compounds, producing ferric hydroxide which precipitates and may be easily filtered;
- The physical characteristics of BIRM provide an excellent filter media which is easily cleaned by backwashing to remove the precipitant;
- BIRM is not consumed in the iron removal operation;
- Available in 28,3 liters bags;
- Following are the conditions necessary for a good efficiency of the BIRM:
 - No Oil, Hydrogen Sulphide and Polyphosphates in the water;
 - pH 6,8 ÷ 9,0 (if water contains also manganese pH has to be 8,0 ÷ 8,5);
 - Dissolved oxygen content must be equal to at least 15% of the iron content and 29% of the manganese content;
 - Alkalinity should be greater than two times the combined sulphate and chloride concentration;
 - Less than 5 ppm TOC.

Ref	Description	Fam.	Subfam.		Price Euro
RA072	BIRM REGULAR BAG 28.3 LT.	65	315		143,16

PHYSICAL PROPERTIES		OPERATING CONDITIONS	
Colour	black	Bed depth (mm)	750 ÷ 900
Specific gravity (g/l)	2000	Service flow rate (m3/h m2)	9 ÷ 13
Bulk density (g/l)	560 ÷ 640	Backwash flow rate (m3/h m2)	24 ÷ 30
Mesh Size	12 x 50	Backwash bed expansion (%)	20 ÷ 40
Effective Size (mm)	0,48		
Uniform Coefficient	2,7		

Box: WxLxH	Box: Q.ty	Box: Weight	Pallet: WxLxH	Pallet: Q.ty	Pallet: Weight

Certificates	Manufacturer	Sectors
NSF61	Clack	Domestic, Commercial, Industrial



Pyrolusite



- PYROLUSITE is manganese dioxide (MnO₂) of very good quality and pureness obtained by washing, drying and screening of mineral selected for the specific catalytic activity;
- Used as catalyser for the reduction of iron and manganese dissolved in the water, by sand filters, mixed 20÷50 % with sand 0,4÷0,8 / 0,7÷1,2 mm;
- Does not require a compulsory regeneration with KMnO₄ , but you can do a continuous chlorination or a chlorination during the backwash;
- Hardness 3° ÷ 5° Mosh;
- Available in 25 kg bags.

Ref	Description	Fam.	Subfam.		Price Euro
RA069	MWG PYROLUSITE (MANGANESE DIOXIDE) BAG 25 KG	65	315		134,13

Physical Properties	
Colour	brown
Bulk density (g/l)	2000
Effective size (mm)	0,35 ÷ 0,85
Mn (%)	80

Operating Conditions	
Composition	Mixed 20÷50 % with sand 0,4÷0,8 / 0,7÷1,2 mm
Suggested filtration speed (m/h)	≤ 10
Max backwash speed (m ³ /h m ²)	25
Backwash expansion at 25 m/h (%)	25
Min contact time (min)	6
Range pH	6,5 ÷ 8,5

Box: WxLxH	Box: Q.ty	Box: Weight	Pallet: WxLxH	Pallet: Q.ty	Pallet: Weight

Certificates	Manufacturer	Sectors
STANDARD EN 13752	MWG	Domestic, Commercial, Industrial



Activated Carbon



- RA204 activated carbon is not suitable for treatment of water intended for human consumption;
- In granular form;
- Suitable for Chlorine, chemical oxidants, chlorinated compounds and organic contaminants dissolved in water;
- activated carbon require periodic backwashing to eliminate accumulated suspended matters and to regrade the filter bed;
- A good backwashing of the AC filter bed of the start-up is required.
- Mainly bituminous origin coal activated carbons are carefully selected, with a thermal activation process at strictly controlled temperature to obtain a large surface area and a mesoporous structure allowing the adsorption of high molecular weight organic compounds in particular hydrocarbons, atrazine, surfactants;
- Mainly vegetal (coconut base) activated carbons are suitable for applications that need good resistance to the attrition and mechanical shocks; they have a microporous structure allowing the adsorption of low molecular weight organic compounds in particular trichloroethylene, tetrachloroethylene.

Ref	Description	Fam.	Subfam.		Price Euro
RA204	MWG BAG 25 KG CARB. CYLINDRICAL MIN. SC 45 (47 LT.ABOUT)	65	305		244,20
RA201	MWG BAG 25 KG CARB. MIN. GAC 830 M (52 LT.ABOUT)	65	305		225,70
RA202	MWG BAG 25 KG CARB. MIN. GAC 1240 M (52 LT. ABOUT)	65	305		225,70
RA206	MWG BAG 25 KG CARB. GAC 8X30 VEGETAL	65	305		259,54
RA208	MWG BAG 25 KG CARB. GAC 12X40 VEGETAL	65	305		288,39

Ref	Type	Origin	Size(mm)	Bulk density (g/l)	Bet (m ² /g)	Iodine number (mg/g)	Ash content (%)
RA204	SC45 cylindrical	Mineral	4	530	700	750	12
RA201	GAC 8x30	Mineral	0,6 ÷ 2,4	480	1100	1000	12
RA202	GAC 12x40	Mineral	0,4 ÷ 1,7	480	1100	1000	12
RA206	GAC 8x30	Vegetal	0,6 ÷ 2,4	500	1250	1100	3
RA208	GAC 12x40	Vegetal	0,4 ÷ 1,7	500	1250	1100	3

Operating conditions	
Bed depth (mm) (dechlorination)	650 ÷ 750
Service flow rate (m3/h m2) (dechlorination)	12 ÷ 15
Backwash flow rate (m3/h m2)	24 ÷ 30
Backwash bed expansion (%)	30 ÷ 40

Box: WxLxH	Box: Q.ty	Box: Weight	Pallet: WxLxH	Pallet: Q.ty	Pallet: Weight

Certificates	Manufacturer	Sectors
STANDARD EN 12915-1:2004 (except RA204)	MWG	Commercial, Industrial



Acid Washed Activated Carbon



- High quality granular activated carbon produced by physical activation of selected raw material of mineral origin;
- It is further washed with acid in order to reduce the ash content;
- Particularly effective for the removal of organic pollutants, dyes, pesticides, chlorinated and aromatic solvents, phenols, tannins, chlorine derivatives and compounds that cause bad smells and tastes in drinking water;
- Suitable for different applications such as the purification of water intended for human consumption, the purification of wastewater, of process and condensates. It is also used in the purification and discoloration processes of intermediates chemical and food products;
- It can be thermally reactivated once its adsorbing capacity is exhaust;
- Available in 25 kg bags.

Ref	Description	Fam.	Subfam.		Price Euro
RA222	MWG BAG 25 KG CARB. GAC 12X30 MINERAL ACID WASHED	65	305		325,25

GENERAL PROPERTIES			
Iodine number	Astm D 4607	mg / g	1.000
Moisture as packed	Astm D 2867	%	2
Size	Astm D 2862	Mesh	12 x 30
Methylene blue index	12 Mesh / 30 Mesh	%	5 - 5
Indice Blu di Metilene	Cefic Dab VI	ml	18
CCl4 adsorption	Astm D 3467	%	60
Surface area (B.E.T.)	Astm D 3663	m ² /g	1.100
Bulk density	Astm D 2854	kg/m ³	460
Density after back-washing and draining		kg/m ³	420
Iron (acid extraction)		ppm	300
Hardness	Astm D 3802	%	95
Ash content	Astm D 2866	%	8
pH	Astm D 3838	-	neutral

Box: WxLxH	Box: Q.ty	Box: Weight	Pallet: WxLxH	Pallet: Q.ty	Pallet: Weight

Certificates	Manufacturer	Sectors
STANDARD EN 12915	MWG	Domestic, Commercial, Industrial



Filter Sand and Gravel



- REF. RA049, RA050, RA051, RA052 and RA053;
- Filter sand and gravel shape of alluvium origin, uncrushed;
- High contents of silica, selected for specific use in water filtration for potable and industrial application;
- Hardness 7° Mosh.

Ref	Description	Fam.	Subfam.		Price Euro/kg
RA049	QUARTZ SAND 0.4 - 0.8 BAG 25 KG	65	310		0,59
RA050	QUARTZ SAND 0.8 - 1.2 BAG 25 KG	65	310		0,59
RA051	QUARTZ SAND 1 - 2 BAG 25 KG	65	310		0,59
RA053	QUARTZ SAND 2 - 3 BAG 25 KG	65	310		0,59
RA052	QUARTZ SAND 3 - 5 BAG 25 KG	65	310		0,59

Ref	Description	SIZE (mm)
RA049	QUARTZ SAND 0.4 - 0.8 BAG 25 KG	0,4 ÷ 0,8
RA050	QUARTZ SAND 0.8 - 1.2 BAG 25 KG	0,8 ÷ 1,2
RA051	QUARTZ SAND 1 - 2 BAG 25 KG	1,0 ÷ 2,0
RA053	QUARTZ SAND 2 - 3 BAG 25 KG	2,0 ÷ 3,0
RA052	QUARTZ SAND 3 - 5 BAG 25 KG	3,0 ÷ 5,0

Physical properties	
Colour	white
Specific gravity (g/l)	2650
Bulk density (g/l)	1500
SiO2 content	> 96 %
Humidity	0,3 % max
Melting point	1700 g/c
pH	8

Operating conditions	
Bed depth (mm) (sand filter)	450 ÷ 750
Service flow rate (m3/h m2)	8 ÷ 12
Backwash flow rate (m3/h m2)	30 ÷ 42
Backwash bed expansion (%)	5 ÷ 10

Box: WxLxH	Box: Q.ty	Box: Weight	Pallet: WxLxH	Pallet: Q.ty	Pallet: Weight

Certificates	Manufacturer	Sectors
STANDARD EN 12904		Domestic, Commercial, Industrial



Anthracite



- Granular anthracite selected per gradation, hardness and purity for specific use in potable and industrial water filtration;
- The high filtering efficiency of anthracite is due to its angular shape, that allows high filtering speed, longer filter runs and less head loss;
- Excellent media with density lower than sand, the anthracite is usually used in multimedia filters;
- Minimum carbon contents 90%, low silica, hardness 3° Mosh average.

Operating conditions:

- Monolayer bed depth 600 ÷ 900 mm;
- Top bed depth in multilayer beds 250 ÷ 450 mm;
- Service flow rate following specific conditions;
- Backwash flow rate 28 ÷ 35 m3/h m2;
- Bed expansion 20 ÷ 30%.

Ref	Description	Fam.	Subfam.		Price Euro/kg
RA060	ANTHRACITE 0.6 - 1.0 BAG 25 KG	65	310		4,24
RA061	ANTHRACITE 2 - 3 BAG 25 KG.	65	310		4,24

Ref	Description	SIZE (mm)
RA060	ANTHRACITE 0.6 - 1.0 BAG 25 KG	0,6 ÷ 1,0
RA061	ANTHRACITE 2 - 3 BAG 25 KG.	2,0 ÷ 3,0

Physical properties	
Bulk density (g/l)	950
Absolute density (g/l)	1400
Humidity packaging	2 % max
Ashes	4 % (±2)
Substances volatiles	3 % (±1)
Sulphur	0,5 % max
pH	8 ÷ 10

Box: WxLxH	Box: Q.ty	Box: Weight	Pallet: WxLxH	Pallet: Q.ty	Pallet: Weight

Certificates	Manufacturer	Sectors
STANDARD EN 12909		Domestic, Commercial, Industrial



Calcite



- CALCITE is a natural crushed and screened calcium carbonate media which is used to neutralize low pH waters;
- Acidic water slowly dissolves the calcium carbonate to raise the pH which reduces the potential leaching of copper, lead and other metals found in typical plumbing systems;
- One of the advantages of CALCITE is its self-limiting property, that corrects pH only enough to reach a non corrosive equilibrium;
- Of course CALCITE will increase the hardness of the water;
- Periodic backwashing of the bed is necessary to keep in working order the system;
- The CALCITE bed will have to be periodically replenished as the CALCITE is depleted;
- Gravel support bed is recommended;
- Available in 15,6 liters bags.

Ref	Description	Fam.	Subfam.		Price Euro
RA073	CALCITE BAG 15.6 LT.	65	320		80,72

Physical properties	
Colour	white
Specific gravity (g/l)	2700
Bulk density (g/l)	1450
Effective size (mm)	0,4 ÷ 1,1
Composition	CaCO3 95% min. MgCO3 3% max
Operating conditions	
Bed depth (mm)	600 ÷ 750
Service flow rate (m3/h m2)	7 ÷ 15
Backwash flow rate (m³/h m²)	20 ÷ 30
Backwash bed expansion (%)	≥ 50
pH range	5,0 ÷ 7,0

Box: WxLxH	Box: Q.ty	Box: Weight	Pallet: WxLxH	Pallet: Q.ty	Pallet: Weight

Certificates	Manufacturer	Sectors
NSF60		Domestic, Commercial, Industrial



Filter AG



- Filter-Ag is a non-hydrous silicon dioxide media which can be used as highly efficient filter media for the reduction of suspended matter. Its fractured edges and irregular surface provides an high surface area and complex flow path for efficient filtration;
- Less pressure loss through a bed of Filter-Ag than through most other filter medias;
- Light weight requires lower backwash rates than other filter medias;
- Upon installation allow bed to soak overnight before backwashing;
- Available in 28,3 liters bags.

Ref	Description	Fam.	Subfam.		Price Euro
RA059	FILTER AG - BAG 28,3 LT	65	310		44,40

Physical properties	
Colour	light grey
Specific gravity (g/l)	2250
Specific gravity (g/l)	380 ÷ 420
Effective size (mm)	0,5 ÷ 2,0

Operating conditions	
Bed depth (mm)	600 ÷ 900
Service flow rate (m3/h m2)	12 ÷ 13
Backwash flow rate (m3/h m2)	20 ÷ 24
Backwash bed expansion (%) of bed depth	20 ÷ 40
Freeboard of bed depth (%)	≥ 50

Box: WxLxH	Box: Q.ty	Box: Weight	Pallet: WxLxH	Pallet: Q.ty	Pallet: Weight

Certificates	Manufacturer	Sectors
NSF61	Clack	Domestic, Commercial, Industrial



Filter AG Plus



- Filter-Ag Plus is a clinoptilolite natural media with a large surface area and microporous structure which can be used as highly efficient filter media for the reduction of suspended matter. Its irregular surface and 3 micron void spaces provides a surface area over 100 times greater than silica sand;
- Its low pressure drop, high service flow rates and high bed loadings combined with lower backwash frequency allow economy in equipment downsizing and reduced pumping requirements;
- Utilizing deep bed filtration can typically reduce suspended solids down to 5 micron or less range;
- Filter Ag Plus can be applied to systems designed for either pressure or gravity flow;
- Available in 28,3 liters bags.

Ref	Description	Fam.	Subfam.		Price Euro
RA058	FILTER AG PLUS - BAG 28,3 LT	65	310		80,62

Physical properties	
Colour	White to off white
Specific gravity (g/l)	2200
Bulk density (g/l)	800
Effective size (mm)	0,55

Operating conditions	
Bed depth (mm)	600 ÷ 1200 (900 for optimal filtration)
Service flow rate (m3/h m2)	30 ÷ 50
Backwash flow rate (m3/h m2)	35 ÷ 45
Backwash bed expansion (%) of bed depth	30 ÷ 40
Freeboard of bed depth (%)	≥ 50

Box: WxLxH	Box: Q.ty	Box: Weight	Pallet: WxLxH	Pallet: Q.ty	Pallet: Weight

Certificates	Manufacturer	Sectors
NSF61	Clack	Domestic, Commercial, Industrial



GFH (Granular Ferric Hydroxide)



- Granular ferric hydroxide GFH is an adsorbent for selective removal of arsenic (both arsenite and arsenate), phosphate, vanadium, antimony, lead, uranium, molybdenum and other heavy metals from natural water;
- Preoxidation is not required for arsenic removal applications;
- Once the media has exhausted its adsorption capacity, it is removed from the vessel and replaced with new media;
- The simplicity of this process is very attractive for small installations and wellhead applications;
- Active substance $\text{Fe}(\text{OH})_3 + \beta\text{-FeOOH}$;
- Dry solids content 58% ($\pm 10\%$).

Requirements for raw water

- Free of turbidity
- Positive redox potential
- No calcium precipitation

Ref	Description	Fam.	Subfam.		Price Euro
RA068	GRANULAR FERRIC HYDROXIDE DRUM 30 KG	65	315		662,13

Physical properties (with water content 45%):	
Density of grains (g/l)	1590
Bulk density (g/l) backwashed	1150 ($\pm 10\%$)
Particle size range (mm)	0,2 ÷ 2,0
Specific surface (m ² /g) (BET method)	circa 300
Porosity of grains (%)	72 ÷ 77
Bulk porosity (%)	22 ÷ 28
Iron content, relative to dry solids	600g / Kg ($\pm 10\%$)

Operating conditions	
Bed depth (m)	0,8 ÷ 1,6
Specific flow rate (m ³ /h m ²)	5 ÷ 20
Contact time (min)	3 ÷ 6
Backwash flow rate (m ³ /h m ²)	26
Expansion free volume (%) of bed depth	50
Pressure loss max (bar)	0,5
Operation temperature max (°C)	60
AsO ₄ ³⁻ Arsenic adsorption density in the drinking water processing (g/kg)	2 ÷ 10 (*)
(*) the adsorption density depends on pH and water chemistry.	

Box: WxLxH	Box: Q.ty	Box: Weight	Pallet: WxLxH	Pallet: Q.ty	Pallet: Weight

Certificates	Manufacturer	Sectors
STANDARD EN 15029 NSF61		Domestic, Commercial, Industrial



Ecomix



- ECOMIX is a granular filtering media, suitable for remove natural organic matter, hardness, iron, manganese and ammonia in a wide pH range and without any oxidant products dosage;
- ECOMIX is a homogeneous mixture of five high quality ion-exchange and adsorption materials of natural and synthetic origin;
- You can use ECOMIX as a ion-exchange resin and regenerate it with sodium chloride (NaCl);
- Wide range of raw water as indicated in the "Limit Concentration Table" below;
- ECOMIX can treat water with high concentration of Fe and Mn, and with max TDS = 4000 mg/l;
- To calculate filter capacity, one should only consider water hardness and ion-exchange capacity (don't consider Fe and Mn data);
- NSF/ANSI 44, 61 & 372 certified;
- Shipping weight 0,75 kg / liter;
- Available in 12,0 or 25,0 liters bags.
- ECOMIX A is preferred when the contaminants to be removed are mainly Ammonia, Hardness, Iron and Manganese, and you have a little quantity of organic matter;
- ECOMIX C is preferred when the contaminants to be removed are mainly Ammonia, Hardness, Iron and Manganese, and you have a big quantity of organic matter;
- ECOMIX P is preferred when the contaminants to be removed are mainly Hardness, Iron and Manganese;
- **Warning:** if you use only a part of the product contained in a bag, you have make sure that all the contents are mixed, in order to homogenize the product before spilling. ECOMIX is a mixture of five materials with different specific weight and different particle size, which if not well mixed tends to stratify.

Ref	Description	Fam.	Subfam.		Price Euro/liter
RA080	FILTER MEDIA ECOMIX - A (BAG 12 LT.)	65	315		13,93
RA080A	FILTER MEDIA ECOMIX - A (BAG 25 LT.)	65	315		13,93
RA081	FILTER MEDIA ECOMIX - C (BAG 12 LT.)	65	315		15,48
RA081A	FILTER MEDIA ECOMIX - C (BAG 25 LT.)	65	315		15,48
RA082	FILTER MEDIA ECOMIX - P (BAG 12 LT.)	65	315		11,09
RA082A	FILTER MEDIA ECOMIX - P (BAG 25 LT.)	65	315		11,09

Ref	Ion exchange capacity (eq/l)	Ion exchange capacity (g CaCO3/l)	Dose of regenerant (g of NaCl 100% per liter)
RA080	0,75	35	100
RA080A	0,75	35	100
RA081	0,65	30	100
RA081A	0,65	30	100
RA082	0,80	40	100
RA082A	0,80	40	100

Certificates	Manufacturer	Sectors
NSF44 NSF61 NSF372		Domestic, Commercial, Industrial



Ecomix

Limit Concentration Tables

ECOMIX A	Hardness (ppm CaCO ₃)	Fe (mg/l) (ppm)	Mn (mg/l) (ppm)	COD (ppm O ₂)	Ammonia (mg/l) (ppm)	TDS (ppm)
Raw water concentration limits	< 750	< 15	< 3	< 20	< 4	< 4000
Quality of purified water	≤ 20	< 0,3	< 0,1	< 10	< 0,5	No changes

ECOMIX C	Hardness (ppm CaCO ₃)	Fe (mg/l) (ppm)	Mn (mg/l) (ppm)	COD (ppm O ₂)	Ammonia (mg/l) (ppm)	TDS (ppm)
Raw water concentration limits	< 750	< 10	< 3	< 20	< 4	< 4000
Quality of purified water	≤ 20	< 0,3	< 0,1	< 4	< 0,5	No changes

ECOMIX P	Hardness (ppm CaCO ₃)	Fe (mg/l) (ppm)	Mn (mg/l) (ppm)	COD (ppm O ₂)	Ammonia (mg/l) (ppm)	TDS (ppm)
Raw water concentration limits	< 750	< 10	< 3	N.A.	N.A.	< 4000
Quality of purified water	≤ 20	< 0,3	< 0,1	N.A.	N.A.	No changes

Operating conditions		Unit of measurement
Maximum operating temperature	40	°C
pH range	5 ÷ 9	
Minimum bed depth	500	mm
Optimum bed depth	800	mm
Service flow rate	10 ÷ 25	m ³ /h m ²
Backwash flow rate (15÷20 min)	10 ÷ 15	m ³ /h m ²
Regeneration flow rate (45÷65 min)	3 ÷ 5	m ³ /h m ²
Active chlorine	< 1	mg/l (ppm)
Free bed volume	≥ 40	%

Commonly used pressure vessels:

	8x35	8x44	10x35	10x54	12x52	13x54	14x65	16x65	21x60
Volume of Ecomix (Liters)	16	20	24	36	48	60	72	96	144
Flow Capacity (m ³ /h)@ 25 m/h	0,8	0,8	1,2	1,2	1,8	2,0	2,5	3,0	5,5
IX Capacity (kg CaCO ₃)	0,56	0,7	0,8	1,3	1,7	2,1	2,5	3,3	5,0
Salt Requirement (kg)	1,6	2,0	2,4	3,6	4,8	6,0	7,2	9,6	14,4
Backwash Flow Rate (m ³ /h)	0,4	0,4	0,6	0,6	0,9	1,1	1,2	1,6	2,7



Corosex

- Corosex is designed for use in filters to neutralize acidity by increasing the pH value;
- By neutralizing the free carbon dioxide in water, Corosex can correct acidic water conditions and render it less corrosive. Corosex, being a highly reactive magnesium oxide, is used most effectively where pH correction is substantial or high flow conditions are in use. pH correction and media consumption are affected by a number of water chemical variables. Being soluble to acidity, Corosex will slowly dissolve and will need to be replenished periodically;
- On a per weight basis, magnesium oxide can neutralize five times more acidity than can calcium carbonate. This results in greatly reduced chemical usage for the same pH correction. Please note; under certain low flow conditions, Corosex may overcorrect and create a highly basic (high pH) condition;
- Under certain hardness conditions, pH correction can cause hardness minerals to precipitate out of solution, resulting in cementing or solidification of the Corosex mineral bed. Upflow service is generally recommended with hardness exceeding 9 °F. Always use an in-line filter ahead of an upflow system to prevent plugging of the lower distribution screen;
- As Corosex's magnesium oxide neutralizes the water, it will increase hardness and a softener may become necessary after the neutralizing filter;
- Corosex can be effectively combined with Calcite to combine the high flow neutralization properties of Corosex, along with the slower reacting low flow properties of Calcite, reducing potentially high basic properties due to overcorrection;
- High degree of activity and speed of correction allowing high flow;
- High capacity...less chemical usage;
- Available in 18,7 liters bags.

Ref	Description	Fam.	Subfam.		Price Euro
RA075	COROSEX BAG 18.7 LT.	65	315		475,22

Physical properties	
Colour	Brownish white
Specific gravity (g/l)	3600
Bulk density (g/l)	1200
Effective size (mm)	1,4
Uniformity coefficient	1,7
Composition	MgO 97% min.
Mesh size	6 x 16

Operating conditions	
Bed depth (mm)	600 ÷ 750
Service flow rate (m ³ /h m ²)	12 ÷ 15
Backwash flow rate (m ³ /h m ²)	25 ÷ 30
Backwash bed expansion (%)	≥ 50
pH range	4,5 ÷ 6,0

Box: WxLxH	Box: Q.ty	Box: Weight	Pallet: WxLxH	Pallet: Q.ty	Pallet: Weight

Certificates	Manufacturer	Sectors
NSF60	Clack	Domestic, Commercial, Industrial

Residential R.O. components





In-Line Cartridges

- IN LINE cartridges 1/4" NPT F connections;
- Max pressure = 100 psi (7 bar);
- Max temperature = 35°C;



Ref	Description	Fam.	Subfam.		Price Euro
DE028	MWG IN-LINE ACTIVATED CARBON CARTRIDGE 10" x 2"	30	175		7,46
DE029	MWG IN-LINE SEDIMENT CARTRIDGE 10" x 2"	30	175		9,89

Ref	Diameter (inch)	Lenght (inch)	Version	Flow (gpm)
DE028	2"	10"	Coconut Shell Activated Carbon	0,75
DE029	2"	10"	Sediment	0,75

Box: WxLxH	Box: Q.ty	Box: Weight	Pallet: WxLxH	Pallet: Q.ty	Pallet: Weight

Certificates	Manufacturer	Sectors
DM174-2004	MWG	Domestic

Ref	Description	Fam.	Subfam.		Price Euro
DE030	MWG IN-LINE ACTIVATED CARBON CARTRIDGE 11" x 2.1/2"	30	175		12,07
DE031	MWG IN-LINE SEDIMENT CARTRIDGE 11" x 2.1/2"	30	175		14,29

Ref	Diameter (inch)	Lenght (inch)	Version	Flow (gpm)
DE030	2½"	11"	Coconut Shell Activated Carbon	0,75
DE031	2½"	11"	Sediment	1,00

Box: WxLxH	Box: Q.ty	Box: Weight	Pallet: WxLxH	Pallet: Q.ty	Pallet: Weight

Certificates	Manufacturer	Sectors
DM174-2004	MWG	Domestic



Clips - Valves - Tubing

Single Mounting Clips: PP material - white colour.



Ref	Description	Fam.	Subfam.		Price Euro
DE033	MWG SINGLE CLIP 2"	30	175		0,46
DE034	MWG SINGLE CLIP 2.5"	30	175		0,38
DE006	MWG SINGLE CLIP 3"	30	175		1,58

Ref	Description	Diameter (mm)
DE033	MWG SINGLE CLIP 2"	50
DE034	MWG SINGLE CLIP 2.5"	60
DE006	MWG SINGLE CLIP 3"	90

Certificates	Manufacturer	Sectors
	MWG	Domestic



Double Mounting Clips: PP material - white colour

Ref	Description	Fam.	Subfam.		Price Euro
DE035	MWG DOUBLE CLIPS 2" x 2.5"	30	175		0,54
DE036	MWG DOUBLE CLIPS 2.1/2"x2.1/2"	30	175		0,79

Ref	Description	Diameter (mm)
DE035	MWG DOUBLE CLIPS 2" x 2.5"	50 x 60
DE036	MWG DOUBLE CLIPS 2.1/2"x2.1/2"	60 x 60

Certificates	Manufacturer	Sectors
	MWG	Domestic



MWG High Pressure Switch



Pressure switch contact NO; Connection 1/4" G; Body material in Stainless Steel; Diaphragm in NBR; Max Voltage = 42 V; Max Current = 4 A; Max operating pressure = 150 bar; Operating temperature range = - 40 ÷ + 100°C Class protection IP54; Conform with CE safety Directives;

Ref	Description	Fam.	Subfam.		Price Euro
DH571	MWG HIGH PRESSURE SWITCH 1-10 BAR	30	175		41,37
DH573	MWG HIGH PRESSURE SWITCH 1-20 BAR	30	175		41,37
DH575	MWG HIGH PRESSURE SWITCH 20-50 BAR	30	175		41,37

Ref	Description	Tolerance
DH571	MWG HIGH PRESSURE SWITCH 1-10 BAR	± 0,5 bar
DH573	MWG HIGH PRESSURE SWITCH 1-20 BAR	± 1 bar
DH575	MWG HIGH PRESSURE SWITCH 20-50 BAR	± 2 bar

Box: WxLxH	Box: Q.ty	Box: Weight	Pallet: WxLxH	Pallet: Q.ty	Pallet: Weight

Certificates	Manufacturer	Sectors
DM174-2004 CE	MWG	Domestic, Commercial, Industrial

MWG Booster Pumps for Residential R.O.

- MWG booster pumps for residential R.O. Systems; Max operating Temperature = 40°C;
- Membrane booster pumps without transformer (to order separately);
- IN/OUT connections 3/8" F NPT;



Ref	Description	Fam.	Subfam.		Price Euro
DH501	MWG BOOSTER PUMP M100G 1.1 LPM 24VDC 1.2A	30	175		64,94
DH503	MWG BOOSTER PUMP L200G 1.6 LPM 24VDC 1.6A	30	175		75,07
DH505	MWG BOOSTER PUMP L400G 2.6 LPM 24VDC 2.5A	30	175		89,26

Ref	Ref Transformer	Inle pressure (psi)	Working pressure range (psi)	Flow 70 psi (l/min)	Rated current (A)	Current 70 psi (A)
DH501	DH531	30	60 ÷ 80	≥ 1,1	1,8	≤ 1,2
DH503	DH533	30	60 ÷ 80	≥ 1,6	2,2	≤ 1,6
DH505	DH535	30	70 ÷ 90	≥ 2,6	3,6	≤ 2,5

Box: WxLxH	Box: Q.ty	Box: Weight	Pallet: WxLxH	Pallet: Q.ty	Pallet: Weight

Certificates	Manufacturer	Sectors
DM174-2004 CE	MWG	Domestic

Transformer

Ref	Description	Fam.	Subfam.		Price Euro
DH531	TRANSFORMER 24VDC 2A	30	175		23,45
DH533	TRANSFORMER 24VDC 2.5A	30	175		27,39
DH535	TRANSFORMER 24VDC 4A	30	175		46,26

Box: WxLxH	Box: Q.ty	Box: Weight	Pallet: WxLxH	Pallet: Q.ty	Pallet: Weight

Certificates	Manufacturer	Sectors
CE		Domestic



MWG Two -Way Solenoid Valves for R.O. Systems



Two-way solenoid valve NC direct acting; Body material plastic; Seals in EPDM; Spring in SS304; Range water temperature = 4°C + 120°C; Range ambient temperature = -10°C + 40°C; Range pressure = 0 + 8 bar; Class protection IP65; Connections 1/4" NPT; Orifice diameter 2,5 mm;

Ref	Description	Fam.	Subfam.		Price Euro
DH601	MWG PLASTIC SOLENOID VALVEC NC 1/4" NPT 24V DC	30	175		9,89
DH603	MWG PLASTIC SOLENOID VALVEC NC 1/4" NPT 24V AC	30	175		9,89

Ref	Description	Power supply
DH601	MWG PLASTIC SOLENOID VALVEC NC 1/4" NPT 24V DC	24 V DC
DH603	MWG PLASTIC SOLENOID VALVEC NC 1/4" NPT 24V AC	220 V AC

Certificates	Manufacturer	Sectors
DM174-2004 CE	MWG	Domestic



Two-way solenoid valve NC direct acting; Body material brass; Seals in EPDM; Range water temperature = 4°C + 120°C; Class protection IP65; G thread connections;

Ref	Description	Fam.	Subfam.		Price Euro
DH611	MWG BRASS SOLENOID VALVEC NC 1/4" GAS 24V DC	30	175		28,63
DH615	MWG BRASS SOLENOID VALVEC NC 3/8" GAS 220V AC 5 BAR	30	175		44,24

Ref	Orifice diameter (mm)	Max operating pressure (bar)
DH611	5	5
DH615	5	5

Certificates	Manufacturer	Sectors
DM174-2004 CE	MWG	Domestic, Commercial, Industrial



Two-way solenoid valve NC indirect acting; Body material brass; Seals in EPDM; Range water temperature = 4°C + 120°C; Class protection IP65; G thread connections;

Ref	Description	Fam.	Subfam.		Price Euro
DH621	MWG BRASS SOLENOID VALVE NC 3/8" GAS 220V AC 16 BAR	30	175		67,66
DH623	MWG BRASS SOLENOID VALVE NC 1/2" GAS 220V AC	30	175		67,66
DH625	MWG BRASS SOLENOID VALVE NC 3/4" GAS 220V AC	30	175		78,07
DH627	MWG BRASS SOLENOID VALVE NC 1" GAS 220V AC	30	175		104,09
DH629	MWG BRASS SOLENOID VALVE NC 1 1/4" GAS 220V AC	30	175		210,77
DH631	MWG BRASS SOLENOID VALVE NC 1 1/2" GAS 220V AC	30	175		210,77
DH633	MWG BRASS SOLENOID VALVE NC 2" GAS 220V AC	30	175		296,63

Ref	Orifice diameter (mm)	Max operating pressure (bar)
DH621	15	16
DH623	15	16
DH625	20	16
DH627	25	16
DH629	35	16
DH631	35	16
DH633	50	16

Certificates	Manufacturer	Sectors
DM174-2004 CE	MWG	Domestic, Commercial, Industrial



Valves for Residential R.O. and Filtration System

Needle Valves

Needle valve for residential R.O and filtration systems; for tube 1/2" M/F or 3/8" M/F; connection for 1/4" or 3/8" or 5/16" flexible tubing; material brass.



Ref	Description	Fam.	Subfam.		Price Euro
DE039	NEEDLE VALVE 1/2" MF X 1/4 TUBE	30	175		10,85
DE050	NEEDLE VALVE 1/2" MF X 3/8" TUBE	30	175		13,47
DE050A	NEEDLE VALVE 1/2" MF X 5/16" TUBE	30	175		14,02
DE039A	NEEDLE VALVE 3/8" M/F x1/4" TUBE	30	175		12,11

Drain and Diverter Valves for R.O. Systems

Suitable for residential R.O and filtration systems.

Drain Clamp - material ABS black.



Ref	Description	Fam.	Subfam.		Price Euro
DE040	DRAIN CLAMP 1/4" TUBE	30	175		2,50
DE049	DRAIN CLAMP 1/4" FEMALE NPT	30	175		3,73

Diverter Valve with Swivel Collar

Connection for 1/4" tubing; material chrome plated brass.



Ref	Description	Fam.	Subfam.		Price Euro
DE042	DIVERTER VALVE WITH SWIVEL COLLAR 1/4" TUBE	30	175		13,68

Adapter 15/16" - 27 X 55/64" - 27

Length 8 mm; material chrome plated brass.



Ref	Description	Fam.	Subfam.		Price Euro
DE043	ADAPTER 15/16" x 55/64"	30	175		2,11



Jaco Style Fittings

Jaco Style Fittings

Straight



Ref	Description	Fam.	Subfam.		Price Euro
DE063	STRAIGHT FITTING 1/8" NPT x 1/4" TUBE	30	175		1,22
DE064	STRAIGHT FITTING 1/4" NPT x 1/4" TUBE	30	175		1,33
DE068	STRAIGHT FITTING 1/4" F NPT X1/4" TUBE	30	175		2,33
DE069	STRAIGHT FITTING 3/8" NPT X1/4" TUBE	30	175		2,19

Elbows



Ref	Description	Fam.	Subfam.		Price Euro
DE060	ELBOW FITTING 1/8" NPT x 1/4" TUBE	30	175		1,33
DE062	ELBOW FITTING 1/8" F NPT x 1/4" TUBE	30	175		1,66
DE061	ELBOW FITTING 1/4" NPT x 1/4" TUBE	30	175		1,44
DE070	ELBOW FITTING 3/8" NPT X 1/4" TUBE	30	175		2,70

Tees



Ref	Description	Fam.	Subfam.		Price Euro
DE065	TEE FITTING 1/4" NPT LATERAL X 1/4" TUBE	30	175		1,73
DE066	TEE FITTING 1/4" NPT CENTRAL X 1/4" TUBE	30	175		1,64
DE067	TEE FITTING 1/4" TUBE	30	175		2,00

Certificates	Manufacturer	Sectors
DM174-2004		Domestic



Valves for Residential R.O. and Filtration System

Saddle Valve

Saddle valve self piercing for residential R.O and filtration systems; suitable for copper piping; connection for 1/4" tubing; material brass with aluminium clamp.



Ref	Description	Fam.	Subfam.		Price Euro
DE041	NEEDLE VALVE 1/4" TUBE	30	175		7,60

Flow Restrictors - Check Valves

In-Line Flow Restrictors

Quick connections 1/4" tube.



Ref	Description	Fam.	Subfam.		Price Euro
DE105	IN LINE FLOW RESTRICTOR 150 MLM - 1/4" TUBE	30	175		8,44
DE106	IN LINE FLOW RESTRICTOR 300 MLM - 1/4" TUBE	30	175		8,43
DE107	IN LINE FLOW RESTRICTOR 400 MLM - 1/4" TUBE	30	175		8,44
DE108	IN LINE FLOW RESTRICTOR 550 MLM - 1/4" TUBE	30	175		8,40
DE109	IN LINE FLOW RESTRICTOR 600 MLM - 1/4" TUBE	30	175		8,46
DE110	IN LINE FLOW RESTRICTOR 800 MLM - 1/4" TUBE	30	175		8,43

Ref	Flow 60 psi (gpd)	Flow 60 psi (ml/min)
DE105	60	150
DE106	115	300
DE107	150	400
DE108	208	550
DE109	227	600
DE110	300	800



JACO Style Check Valve

Jaco style elbow 1/8" x 1/4" tube complete with AISI check-valve.

Ref	Description	Fam.	Subfam.		Price Euro
DE079	ELBOW 1/8"X1/4" TUBE W/STAINLESS STEEL CHECK VALV	30	175		8,43



S.S. Check Valve

Stainless steel check valve 1/8" x 1/8" ..

Ref	Description	Fam.	Subfam.		Price Euro
DE048	CHECK-VALVE S.S. 1/8" NPT	30	175		5,49



Elbowed Ball Valve

Material white plastic; connections 1/4" F NPT x 1/4" tubing.

Ref	Description	Fam.	Subfam.		Price Euro
DE052	ELBOWED BALL VALVE 1/4" F NPT x 1/4" TUBE	30	175		5,91



Automatic Shut-Off Valve

Material white ABS; connections 1/4" tubing; max pressure 125 psi (8,5 bar).

Ref	Description	Fam.	Subfam.		Price Euro
DE038	SHUT-OFF VALVE 1/4" TUBE	30	175		5,90



Storage Tanks for R.O. Systems

PP Storage Tanks

- Pressurized storage tank for treated water;
- White colour;
- Connection 1/4" NPT;
- Min. operating pressure 1 bar.



Ref	Description	Fam.	Subfam.		Price Euro
DE032	PP/SS R.O STORAGE TANK 12 LT.	30	175		75,34
DE051	PLASTIC R.O STORAGE TANK 16 L	30	175		89,17

Ref	Diameter (mm)	Height (mm)	Max pressure (bar)
DE032	240	370	7,0
DE051	260	400	3,5

Box: WxLxH	Box: Q.ty	Box: Weight	Pallet: WxLxH	Pallet: Q.ty	Pallet: Weight

Certificates	Manufacturer	Sectors
NSF58 CE		Domestic

Steel Storage Tanks

- Pressurized storage tank for R.O water;
- Material painted steel, white colour;
- Connection 1" BSPP female;
- With threaded extension M 1" x 1/4", with elbowed ball valve with connection 3/8" tubing;
- Min. operating pressure 1 bar;
- Max operating pressure 7 bar.



Ref	Description	Fam.	Subfam.		Price Euro
DE096	S.S. RO STORAGE TANK 41 LT.	30	175		227,02
DE097	S.S. RO STORAGE TANK 75 LT.	30	175		332,67

Ref	Diameter (mm)	Height (mm)
DE096	390	575
DE097	390	770

Box: WxLxH	Box: Q.ty	Box: Weight	Pallet: WxLxH	Pallet: Q.ty	Pallet: Weight

Certificates	Manufacturer	Sectors
NSF58 CE		Domestic

In-Line Cartridges

R.O. compact assembly and accessories



Ref	Description	Fam.	Subfam.		Price Euro
DE100	R.O. COMPACT GROUP	30	175		193,41
DE101	MEMBRANE 50 GPD FOR DE100	30	175		104,74
DE102A	PREFILTER CARTRIDGE SEDIMENT/CARBON BLOCK FOR EMPTY COMPACT R.O. ASSEMBLY	30	175		29,79
DE103	GAC POSTFILTER CARTRIDGE FOR EMPTY COMPACT R.O. ASSEMBLY	30	175		26,06



Flexible 1/4" Tubing

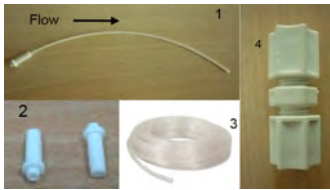
Ref	Description	Fam.	Subfam.		Price Euro
DE082	PVC TUBE WHITE 1/4" - ROLL 50 MT.	30	175		34,53
DE083	PE TUBE BLUE 1/4" - ROLL 50 MT.	30	175		25,33
DE084	PE TUBE BLACK 1/4" ROLL 50 MT.	30	175		25,33
DE086	PE TUBE RED 1/4" - ROLL 50 MT.	30	175		32,23
DE081	PE TUBE CLEAR 1/4" - ROLL 100 MT.	30	175		65,05



Insert for Flexible 1/4" Tubing: CELCON material.

Ref	Description	Fam.	Subfam.		Price Euro
DE059	PLASTIC INSERT FOR 1/4" TUBE	30	175		0,38

Flow Restrictor Linear Type



- Capillary adjusting flow system with insertion in tube 1/4" diameter (Øe=6,35 mm);
- 200 mm standard length; you can change the length as required (please see the diagram below);
- **WARNING:** it is essential that the cutting of the capillary be net and tube perfectly circular (you can use an awl in order to restore the circular form), otherwise the flow rate value can be greatly altered. Observe the flow direction as shown in Picture n.1.

Ref	Description	Fam.	Subfam.		Price Euro
DE122	FLOW RESTRICTOR LINEAR TYPE - LG.200 MM	30	175		1,63
DE124	FLOW RESTRICTOR FRT-14P INSERT	30	175		0,98
DE125	CAPILLARY TUBE ROLL 25 MT	30	175		191,24
DE123	FLOW RESTRICTOR JACO 1/4" UNION*	30	175		5,96

ITEM	Ref	Description
1	DE122	FLOW RESTRICTOR LINEAR TYPE - LG.200 MM
2	DE124	FLOW RESTRICTOR FRT-14P INSERT
3	DE125	CAPILLARY TUBE ROLL 25 MT
4	DE123	FLOW RESTRICTOR JACO 1/4" UNION*



Faucet

Long Reach Faucet

- material chrome plated; connection for 1/4" tubing; complete with installation kit; threaded tube length 50 mm.

Ref	Description	Fam.	Subfam.		Price Euro
DE037	LONG REACH FAUCET 1/4" TUBE	30	175		30,48

Certificates	Manufacturer	Sectors
		Domestic



Quarter-Turn faucet

- metal and plastic chrome material;
- connection for 1/4" tubing;
- complete with installation kit;
- threaded tube length 71 mm.

Ref	Description	Fam.	Subfam.		Price Euro
DE116	QUARTER - TURN FAUCET 1/4" TUBE	30	175		41,77

Certificates	Manufacturer	Sectors
		Domestic





Pressure Gauge - Adapters - Valves

Pressure Gauge

- pressure set 0 ÷ 10 bar;
- connection 1/8" M;
- diameter 25 mm.



Ref	Description	Fam.	Subfam.		Price Euro
DE077	MANOMETER D.25 0-10 KG/CM2 1/8"	30	175		12,86

Certificates	Manufacturer	Sectors
		Domestic

3 Ways Adapter for Pressure Gauge

- plastic material;
- connections 1/8" F x 1/8" M x 1/4" tube.



Ref	Description	Fam.	Subfam.		Price Euro
DE078	3-WAYS FITTING FOR MANOMETER 1/8 F X 1/8 M X 1/4TUBO	30	175		3,90

Certificates	Manufacturer	Sectors
		Domestic

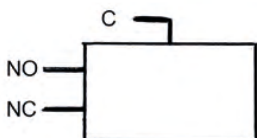
High/low pressure switch

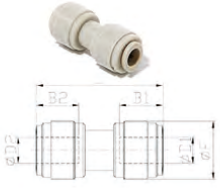
- Pressure 30 - 50 psi;
- Connections 1/4 tube;
- To use as high pressure switch contacts C and NC;
- To use as low pressure switch contacts C and NO.



Ref	Description	Fam.	Subfam.		Price Euro
DE139	PRESSURE SWITCH PSH	30	175		9,72

Certificates	Manufacturer	Sectors
		Domestic





Union connector

Ref	Description	Fam.	Subfam.		Price Euro
DH073	UNION CONNECTOR 1/4" - 1/4"	30	175		2,63
DH075	UNION CONNECTOR 3/8" - 3/8"	30	175		3,34
DH079	UNION CONNECTOR 3/8" - 1/4"	30	175		3,53

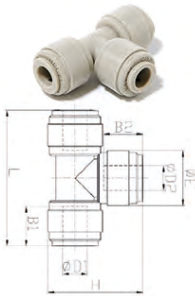
Ref	B1 (mm)	B2 (mm)	Ø E (mm)	L (mm)
DH073	16,9	16,9	15,5	36,2
DH075	20,2	20,2	20,0	42,9
DH079	20,2	16,9	20,0	42,1



Union elbow

Ref	Description	Fam.	Subfam.		Price Euro
DH083	UNION ELBOW 1/4" - 1/4"	30	175		2,95
DH085	UNION ELBOW 3/8" - 3/8"	30	175		4,33

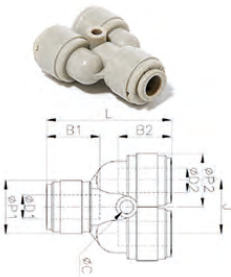
Ref	B1 (mm)	B2 (mm)	Ø E 1 (mm)	Ø E 2 (mm)	L (mm)	H (mm)
DH083	16,9	16,9	15,5	15,5	28,8	28,8
DH085	20,2	20,2	20,0	20,0	35,9	35,9



Union T

Ref	Description	Fam.	Subfam.		Price Euro
DH093	UNION TEE 1/4" - 1/4" - 1/4"	30	175		3,66
DH095	UNION TEE 3/8" - 3/8" - 3/8"	30	175		4,43

Ref	B1 (mm)	B2 (mm)	B3 (mm)	Ø E (mm)	L (mm)	H (mm)
DH093	16,9	16,9	16,9	15,5	42,0	28,8
DH095	20,2	20,2	20,2	20,0	51,8	35,9



Two way divider

Ref	Description	Fam.	Subfam.		Price Euro
DH103	TWO WAY DIVIDER 1/4" - 1/4" - 1/4"	30	175		4,76
DH105	TWO WAY DIVIDER 3/8" - 3/8" - 3/8"	30	175		4,89

Ref	B1 (mm)	B2 (mm)	Ø P1 (mm)	Ø P2 (mm)	L (mm)	J (mm)	C (mm)
DH103	16,9	16,9	15,5	15,5	38,8	15,5	3,3
DH105	20,2	20,2	20,0	20,0	46,4	20,0	4,5



Fittings

- Suitable for residential R.O. and filtration systems;
- Designed for water, food and air contact but can be used with selected gases, vacuum & other liquids;
- DM 174 (Italy) dated 06/04/2004 compliant about materials suitable for contact with water for human consumption;
- In compliance with the sanitary certification ACS (France);
- In acetal resin grey color, non-toxic and NSF approved material; Pressure max 16 bar @ 25°C.

Male connector NPT

Ref	Description	Fam.	Subfam.		Price Euro
DH005	MALE CONNECTOR 1/8" NPT WITH D=1/4"	30	175		2,08
DH006	MALE CONNECTOR 1/4" NPT WITH D=1/4"	30	175		2,08
DH007	MALE CONNECTOR 3/8" NPT WITH D=1/4"	30	175		3,12
DH012	MALE CONNECTOR 1/8" NPT WITH D=3/8"	30	175		3,08
DH013	MALE CONNECTOR 1/4" NPT WITH D=3/8"	30	175		3,12
DH014	MALE CONNECTOR 3/8" NPT WITH D=3/8"	30	175		3,25

Ref	A (mm)	B (mm)	Ø E (mm)	H (mm)	L (mm)
DH005	9,1	16,9	17,8	15,8	27,0
DH006	13,2	16,9	17,8	15,8	27,0
DH007	13,8	16,9	21,4	19,0	26,1
DH012	9,1	20,2	23,0	20,6	30,4
DH013	13,2	20,2	23,0	20,6	34,3
DH014	13,8	20,2	23,0	20,6	29,9

Female adapter NPTF

Ref	Description	Fam.	Subfam.		Price Euro
DH021	FEMALE ADAPTER 1/8" NPT WITH D=1/4"	30	175		3,98
DH022	FEMALE ADAPTER 1/4" NPT WITH D=1/4"	30	175		3,21
DH023	FEMALE ADAPTER 1/4" NPT WITH D=3/8"	30	175		3,40

Ref	Ø P (mm)	A (mm)	B (mm)	Ø E (mm)	H (mm)	L (mm)
DH021	15,5	11,5	16,9	19,0	17	30,9
DH022	15,5	11,5	16,9	21,5	19	30,9
DH023	20,0	11,5	20,2	21,5	19	34,2

Male elbow NPT

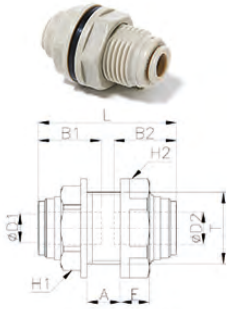
Ref	Description	Fam.	Subfam.		Price Euro
DH033	MALE ELBOW 1/8" NPT WITH D=1/4"	30	175		2,35
DH034	MALE ELBOW 1/4" NPT WITH D=1/4"	30	175		2,54
DH035	MALE ELBOW 3/8" NPT WITH D=1/4"	30	175		4,07
DH038	MALE ELBOW 1/4" NPT WITH D=3/8"	30	175		4,24
DH039	MALE ELBOW 3/8" NPT WITH D=3/8"	30	175		4,64

Ref	Ø P (mm)	A (mm)	B (mm)	E (mm)	H (mm)	L (mm)
DH033	15,5	9,1	16,9	26,4	11,0	25,6
DH034	15,5	13,2	16,9	31,9	11,0	27,0
DH035	15,5	13,8	16,9	32,7	11,0	28,9
DH038	20,0	13,2	20,2	35,2	14,3	31,8
DH039	20,0	13,8	20,2	35,8	14,3	33,9



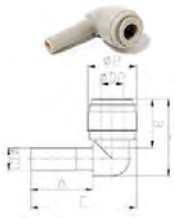
Fittings

Bulkhead connector



Ref	Description	Fam.	Subfam.		Price Euro
DH052	BULKHEAD CONNECTOR 1/4" - 1/4"	30	175		4,15
DH054	BULKHEAD CONNECTOR 3/8" - 3/8"	30	175		6,18

Ref	T	B1 (mm)	B2 (mm)	H1 (mm)	H2 (mm)	L (mm)
DH052	M17	16,9	16,9	19	21	35,7
DH054	M24	20,2	20,2	24	25,5	42,4



Union elbow tube with stem

Ref	Description	Fam.	Subfam.		Price Euro
DH063	UNION ELBOW TUBE WITH STEM 1/4" - 1/4"	30	175		2,63
DH065	UNION ELBOW TUBE WITH STEM 3/8" - 3/8"	30	175		4,66
DH067	UNION ELBOW TUBE WITH STEM 3/8" - 1/4"	30	175		4,61

Ref	Ø P (mm)	A (mm)	B (mm)	E (mm)	L (mm)
DH063	15,5	21,0	16,9	34,8	25,1
DH065	20,0	24,8	20,2	43,2	31,4
DH067	17,6	22,5	17,5	38,3	27,7



Union connector

Ref	Description	Fam.	Subfam.		Price Euro
DH073	UNION CONNECTOR 1/4" - 1/4"	30	175		2,63
DH075	UNION CONNECTOR 3/8" - 3/8"	30	175		3,34
DH079	UNION CONNECTOR 3/8" - 1/4"	30	175		3,53

Ref	B1 (mm)	B2 (mm)	Ø E (mm)	L (mm)
DH073	16,9	16,9	15,5	36,2
DH075	20,2	20,2	20,0	42,9
DH079	20,2	16,9	20,0	42,1



Bulkhead flow regulators

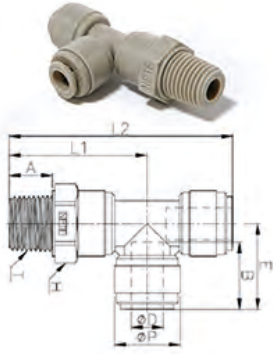
Ref	Description	Fam.	Subfam.		Price Euro
DH157	BULKHEAD FLOW REGULATOR WITH D=1/4"	30	175		18,61
DH158	BULKHEAD FLOW REGULATOR WITH D=3/8"	30	175		22,27

Ref	T	Ø P (mm)	A (mm)	B (mm)	E1 (mm)	E2 (mm)	H (mm)	L min (mm)	L max (mm)
DH157	M12	15,5	5,0	16,9	22,2	44,4	16	45,5	50,4
DH158	M15	20,0	6,0	19,8	26,1	52,1	19	52,7	58,4



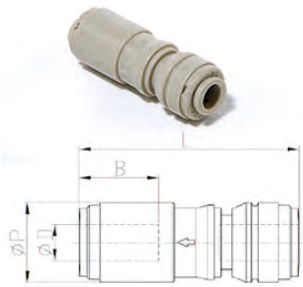
Fittings

Male Swivel run tee NPT



Ref	Description	Fam.	Subfam.	Price Euro
DH122	MALE SWIVEL RUN TEE 1/4" NPT WITH D=1/4"	30	175	3,99
DH124	MALE SWIVEL RUN TEE 3/8" NPT WITH D=3/8"	30	175	4,49

Ref	Ø P (mm)	A (mm)	B (mm)	E (mm)	H (mm)	L1 (mm)	L2 (mm)
DH122	15,5	13,2	16,9	21,0	17,46	36,9	57,9
DH124	20,0	13,0	20,2	25,9	21,4	41,8	67,7



Check valves

Ref	Description	Fam.	Subfam.	Price Euro
DH131	CHECK VALVES 1/4"	30	175	17,52
DH133	CHECK VALVES 3/8"	30	175	20,18

Ref	Ø P (mm)	B (mm)	L (mm)
DH131	15,5	16,1	45,5
DH133	20,0	19,5	57,8



2 ways hand valves

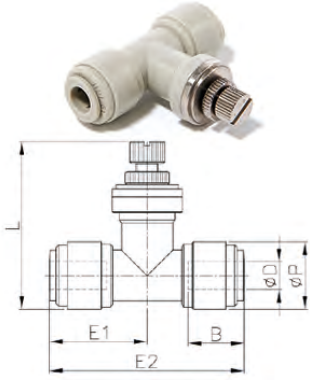
Ref	Description	Fam.	Subfam.	Price Euro
DH141	2 WAYS HAND VALVES 1/4"	30	175	10,52
DH143	2 WAYS HAND VALVES 3/8"	30	175	11,11

Ref	Ø D1 Co nnection (inch)	Ø D2 Co nnection (inch)	B1 (mm)	B2 (mm)	Ø P1 (mm)	Ø P2 (mm)	L1 (mm)	L2 (mm)	E (mm)	Ø C (mm)
DH141	1/4"	1/4"	16,1	16,1	15,5	15,5	9,5	34,5	51,7	19,2
DH143	3/8"	3/8"	202	20,2	20,2	20,2	12,5	42,3	63,2	24,2



Fittings

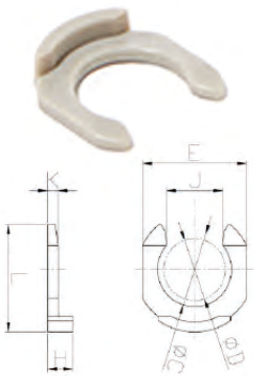
Flow regulators



Ref	Description	Fam.	Subfam.	Price Euro
DH167	FLOW REGULATOR WITH D=1/4"	30	175	16,39
DH168	FLOW REGULATOR WITH D=3/8"	30	175	17,79

Ref	ø P (mm)	B (mm)	L min (mm)	L max (mm)	E1 (mm)	E2 (mm)
DH167	15,5	16,9	45,5	42,7	22,2	44,4
DH168	20,0	19,8	57,8	49,7	26,1	52,1

Locking clips



Ref	Description	Fam.	Subfam.	Price Euro
DH193	LOCKING CLIPS FOR FITTINGS 1/4"	30	175	0,20
DH195	LOCKING CLIPS FOR FITTINGS 3/8"	30	175	0,20

Ref	ø D Connection (inch)	ø C (mm)	E (mm)	L (mm)	H (mm)	J (mm)	K (mm)
DH193	06 - 1/4"	8,0	11,6	11,6	3,1	6,4	1,3
DH195	10 - 3/8"	11,8	16,0	16,4	3,4	9,2	1,4

Male swivel tee NPTF



Ref	Description	Fam.	Subfam.	Price Euro
DH112	MALE SWIVEL TEE 1/4" NPT WITH D=1/4"	30	175	3,98
DH114	MALE SWIVEL TEE 3/8" NPT WITH D=3/8"	30	175	4,49

Ref	ø P (mm)	A (mm)	B (mm)	E (mm)	H (mm)	L (mm)
DH112	15,5	13,2	16,9	21,0	17,46	36,9
DH114	20,0	13,0	20,2	25,9	21,4	41,8



PRF-RO Reverse Osmosis System



- Suitable for residential and commercial application use;
- Compact and reliable system that better suits the flow requirements of small and mid-sized businesses;
- No storage tank needed;
- Works with Line Pressure;
- No Pump or Electricity;
- Very easy installation with quick connections;
- Virtually Maintenance Free (change cartridges fast and easy);
- Consisting of Nr.1 Carbon Pre-Filter, Nr.2 R.O. Membrane Elements and Nr.1 Carbon Post-Filter.

Ref	Description	Fam.	Subfam.		Price Euro
DE904	KIT R.O. PRF-RO SYSTEM P/N 4000462 WITH FAUCET	30	179		1117,03

Ref	P.N.	Description
DE904	4000462	KIT R.O. PRF-RO SYSTEM P/N 4000462 WITH FAUCET

OPERATING CONDITIONS	MINIMUM	MAXIMUM
Inlet Pressure	2,8 bar (40 psi)	5,5 bar (80 psi)
Inlet Temperature (°C)	4	38
Inlet TDS (mg/l)	50	2.000
Inlet Hardness (°F)	0	20
Inlet Chlorine (mg/l)	0	1,0
Inlet Iron (mg/l)	0	0,1
Inlet Manganese (mg/l)	0	0,05

Salt Rejection: Minimum 90%, Medium 93%.

TUBING/FITTING DIMENSIONS	
Inlet Tubing (natural tubing)	½"
Concentrate Tubing (black tubing)	¾"
Permeate Tubing (blue tubing)	¾"
Drain Tubing (red tubing) for airgap installation	½"
Drain connection	¾" o ½"
Carbon Post-Filter	¾" quick disconnect fittings

Filter/Membrane Performance Specifications:

Filter Type	Length (mm)	Diameter (mm)	Flow Rate (lpm)	Flow Rate (gpm)	Average Life (months)
Carbon Pre-Filter	432	74	14,20	3,75	6 (or 19.000 Liters)
RO Element	476	80	0,95	0,25	24 ÷ 48
Carbon Post-Filter	254	51	2,80	0,75	6 (or 19.000 Liters)

Box: WxLxH	Box: Q.ty	Box: Weight	Pallet: WxLxH	Pallet: Q.ty	Pallet: Weight

Certificates	Manufacturer	Sectors
	Pentair	Domestic, Industrial



PRF-RO Reverse Osmosis System

Spare parts of PRF-RO Reverse Osmosis System:

Ref	Description	Fam.	Subfam.		Price Euro
DE920	MEMBRANE R.O. MERLIN P/N 4000569	30	179		272,09
DE923	CARBON CARTRIDGE PRE FILTER P/N 3038333	30	179		55,86
DE924	PRE FILTER CARTRIDGE SEDIMENT 10 MICRON P/N 1266690	30	179		34,19
DE926	CARBON IN LINE POSTFILTER P/N 255526-09	30	179		31,50

Ref	P.N.	Description
DE920	4000569	MEMBRANE R.O. MERLIN P/N 4000569
DE923	3038333	CARBON CARTRIDGE PRE FILTER P/N 3038333
DE924	1266690	PRE FILTER CARTRIDGE SEDIMENT 10 MICRON P/N 1266690
DE926	255526-09	CARBON IN LINE POSTFILTER P/N 255526-09

Water softeners





RUNXIN Automatic Water Softeners GASTRO Series



- Suitable for residential water softening applications;
- With standard accessories and pre-assembled, with ion exchange resin;
- Standard colours: white tank and blue cover, in High Density Polyethylene (HDPE);
- With F79 Runxin Valve: electronic, volumetric, programmable, multilinguage.

- Pieces per 40' container = 1052.

Ref.	Description	Fam.	Subfam.	Price Euro
SR001	GASTRO RUNXIN AUTOMATIC WATER SOFTENER	405	807	501,39

Characteristics:	
Connections In/Out	3/4"
Resin Tank Size	7x13
Resin Volume	4 liters
Height	510 mm
Width	195 mm
Depth	360 mm
Power input	100-240 V 50-60 Hz
Power output	12 V 1,5 A
Maximum power	18 W
Operating temperature	5 - 38 °C
Operating pressure	2 - 6 bar
Suggested flow rate	0,3 - 0,4 m3/h
Water capacity per cycle, specified for CaCO3 concentration 250 mg/l	0,8 m3
Type of regeneration	Meter delayed UpFlow - Meter delayed DownFlow
Type of menu	Foreground menu (available for customer) - you can adjust water hardness. Background menu - you can adjust advanced settings.
Languages of menu	English, Spanish, French, Italian, German, Slovakian, Russian, Polish, Chinese, Turkish, Catalan
Additional functions	With raw water pass valve during regeneration. With External Bypass Valve. With Hard-water mixing screw.

Box: WxLxH (mm)	Box: Q.ty	Box: Weight (kg)	Pallet: WxLxH (mm)	Pallet: Q.ty	Pallet: Weight (kg)
240x410x550	1			24	

Certificates	Manufacturer	Sectors
CE	Runxin	Domestic



RUNXIN Automatic Water Softeners GAIA-M Series



- Suitable for residential water softening applications;
 - With standard accessories and pre-assembled, with ion exchange resin;
 - Standard colours: white tank and white cover, in High Density Polyethylene (HDPE);
 - With F79 Runxin Valve: electronic, volumetric, programmable, multilinguage.
- Pieces per 40' container = 330.

Ref.	Description	Fam.	Subfam.	Price Euro
SR021	GAIA-M RUNXIN AUTOMATIC WATER SOFTENER	405	807	771,01

Characteristics:	
Connections In/Out	3/4"
Resin Tank Size	10x17
Resin Volume	12 liters
Height	615 mm
Width	326 mm
Depth	525 mm
Power input	100-240 V 50-60 Hz
Power output	12 V 1,5 A
Maximum power	18 W
Operating temperature	5 - 38 °C
Operating pressure	2 - 6 bar
Suggested flow rate	1 m3/h
Water capacity per cycle, specified for CaCO3 concentration 250 mg/l	2,5 m3
Type of regeneration	Meter delayed UpFlow - Meter delayed DownFlow
Type of menu	Foreground menu (available for customer) - you can adjust water hardness. Background menu - you can adjust advanced settings.
Languages of menu	English, Spanish, French, Italian, German, Slovakian, Russian, Polish, Chinese, Turkisch, Catalan.
Additional functions	With raw water pass valve during regeneration. With External Bypass Valve. With Hard-water mixing screw.

Box: WxLxH (mm)	Box: Q.ty	Box: Weight (kg)	Pallet: WxLxH (mm)	Pallet: Q.ty	Pallet: Weight (kg)
465x510x655	1			4	

Certificates	Manufacturer	Sectors
CE	Runxin	Domestic



RUNXIN Automatic Water Softeners GAIA-XL Series



- Suitable for residential water softening applications;
 - With standard accessories and pre-assembled, with ion exchange resin;
 - Standard colours: white tank and white cover, in High Density Polyethylene (HDPE);
 - With F79 Runxin Valve: electronic, volumetric, programmable, multilinguage.
- Pieces per 40' container = 220.

Ref.	Description	Fam.	Subfam.	Price Euro
SR041	GAIA-XL RUNXIN AUTOMATIC WATER SOFTENER	405	807	1046,85

Characteristics:	
Connections In/Out	3/4"
Resin Tank Size	10x35
Resin Volume	25 liters
Height	1070 mm
Width	326 mm
Depth	525 mm
Power input	100-240 V 50-60 Hz
Power output	12 V 1,5 A
Maximum power	18 W
Operating temperature	5 - 38 °C
Operating pressure	2 - 6 bar
Suggested flow rate	1,5 m3/h
Water capacity per cycle, specified for CaCO3 concentration 250 mg/l	5,3 m3
Type of regeneration	Meter delayed UpFlow - Meter delayed DownFlow
Type of menu	Foreground menu (available for customer) - you can adjust water hardness. Background menu - you can adjust advanced settings.
Languages of menu	English, Spanish, French, Italian, German, Slovakian, Russian, Polish, Chinese, Turkish, Catalan
Additional functions	With raw water pass valve during regeneration. With External Bypass Valve. With Hard-water mixing screw.

Box: WxLxH (mm)	Box: Q.ty	Box: Weight (kg)	Pallet: WxLxH (mm)	Pallet: Q.ty	Pallet: Weight (kg)
465x510x1115	1			4	

Certificates	Manufacturer	Sectors
CE	Runxin	Domestic



RUNXIN Automatic Water Softeners NIKE-M Series



- Suitable for residential water softening applications;
 - With standard accessories and pre-assembled, with ion exchange resin;
 - Standard colours: white tank and white cover, in High Density Polyethylene (HDPE);
 - With F79 Runxin Valve: electronic, volumetric, programmable, multilinguage.
- Pieces per 40' container = 315.

Ref.	Description	Fam.	Subfam.	Price Euro
SR061	NIKE-M RUNXIN AUTOMATIC WATER SOFTENER	405	807	728,16

Characteristics:	
Connections In/Out	3/4"
Resin Tank Size	10x17
Resin Volume	12 liters
Height	505 mm
Width	350 mm
Depth	580 mm
Power input	100-240 V 50-60 Hz
Power output	12 V 1,5 A
Maximum power	18 W
Operating temperature	5 - 38 °C
Operating pressure	2 - 6 bar
Suggested flow rate	1 m3/h
Water capacity per cycle, specified for CaCO3 concentration 250 mg/l	2,5 m3
Type of regeneration	Meter delayed UpFlow - Meter delayed DownFlow
Type of menu	Foreground menu (available for customer) - you can adjust water hardness. Background menu - you can adjust advanced settings.
Languages of menu	English, Spanish, French, Italian, German, Slovakian, Russian, Polish, Chinese, Turkish, Catalan
Additional functions	With raw water pass valve during regeneration. With External Bypass Valve. With Hard-water mixing screw.

Box: WxLxH (mm)	Box: Q.ty	Box: Weight (kg)	Pallet: WxLxH (mm)	Pallet: Q.ty	Pallet: Weight (kg)
480x530x645	1			8	

Certificates	Manufacturer	Sectors
CE	Runxin	Domestic



RUNXIN Automatic Water Softeners NIKE-XL Series



- Suitable for residential water softening applications;
 - With standard accessories and pre-assembled, with ion exchange resin;
 - Standard colours: white tank and white cover, in High Density Polyethylene (HDPE);
 - With F79 Runxin Valve: electronic, volumetric, programmable, multilingual.
- Pieces per 40' container = 210.

Ref.	Description	Fam.	Subfam.	Price Euro
SR081	NIKE-XL RUNXIN AUTOMATIC WATER SOFTENER	405	807	1008,81

Characteristics:	
Connections In/Out	3/4"
Resin Tank Size	10x35
Resin Volume	25 liters
Height	1050 mm
Width	355 mm
Depth	520 mm
Power input	100-240 V 50-60 Hz
Power output	12 V 1,5 A
Maximum power	18 W
Operating temperature	5 - 38 °C
Operating pressure	2 - 6 bar
Suggested flow rate	1,5 m3/h
Water capacity per cycle, specified for CaCO3 concentration 250 mg/l	5,3 m3
Type of regeneration	Meter delayed UpFlow - Meter delayed DownFlow
Type of menu	Foreground menu (available for customer) - you can adjust water hardness. Background menu - you can adjust advanced settings.
Languages of menu	English, Spanish, French, Italian, German, Slovakian, Russian, Polish, Chinese, Turkish, Catalan
Additional functions	With raw water pass valve during regeneration. With External Bypass Valve. With Hard-water mixing screw.

Box: WxLxH (mm)	Box: Q.ty	Box: Weight (kg)	Pallet: WxLxH (mm)	Pallet: Q.ty	Pallet: Weight (kg)
480x530x1105	1			4	

Certificates	Manufacturer	Sectors
CE	Runxin	Domestic



RUNXIN Automatic Water Softeners MARS-M Series



- Suitable for residential water softening applications;
- With standard accessories and pre-assembled, but without ion exchange resin;
- Standard colours: white tank and white cover, in High Density Polyethylene (HDPE);
- With F79 Runxin Valve: electronic, volumetric, programmable, multilinguage.

- Pieces per 40' container = 372.

Ref.	Description	Fam.	Subfam.	Price Euro
SR101	MARS-M RUNXIN AUTOMATIC WATER SOFTENER	405	807	722,32

Characteristics:	
Connections In/Out	3/4"
Resin Tank Size	9x17
Resin Volume	11 liters
Height	598 mm
Width	285 mm
Depth	465 mm
Power input	100-240 V 50-60 Hz
Power output	12 V 1,5 A
Maximum power	18 W
Operating temperature	5 - 38 °C
Operating pressure	2 - 6 bar
Suggested flow rate	0,8 - 1 m3/h
Water capacity per cycle, specified for CaCO3 concentration 250 mg/l	2,3 m3
Type of regeneration	Meter delayed UpFlow - Meter delayed DownFlow
Type of menu	Foreground menu (available for customer) - you can adjust water hardness. Background menu - you can adjust advanced settings.
Languages of menu	English, Spanish, French, Italian, German, Slovakian, Russian, Polish, Chinese, Turkish, Catalan
Additional functions	With raw water pass valve during regeneration. With External Bypass Valve. With Hard-water mixing screw.

Box: WxLxH (mm)	Box: Q.ty	Box: Weight (kg)	Pallet: WxLxH (mm)	Pallet: Q.ty	Pallet: Weight (kg)
385x515x655	1			8	

Certificates	Manufacturer	Sectors
CE	Runxin	Domestic



RUNXIN Automatic Water Softeners MARS-L Series



- Suitable for residential water softening applications;
 - With standard accessories and pre-assembled, with ion exchange resin;
 - Standard colours: white tank and white cover, in High Density Polyethylene (HDPE);
 - With F79 Runxin Valve: electronic, volumetric, programmable, multilinguage.
- Pieces per 40' container = 248.

Ref.	Description	Fam.	Subfam.	Price Euro
SR121	MARS-L RUNXIN AUTOMATIC WATER SOFTENER	405	807	973,51

Characteristics:	
Connections In/Out	3/4"
Resin Tank Size	9x35
Resin Volume	23 liters
Height	1055 mm
Width	285 mm
Depth	485 mm
Power input	100-240 V 50-60 Hz
Power output	12 V 1,5 A
Maximum power	18 W
Operating temperature	5 - 38 °C
Operating pressure	2 - 6 bar
Suggested flow rate	0,8 - 1 m3/h
Water capacity per cycle, specified for CaCO3 concentration 250 mg/l	4,8 m3
Type of regeneration	Meter delayed UpFlow - Meter delayed DownFlow
Type of menu	Foreground menu (available for customer) - you can adjust water hardness. Background menu - you can adjust advanced settings.
Languages of menu	English, Spanish, French, Italian, German, Slovakian, Russian, Polish, Chinese, Turkish, Catalan.
Additional functions	With raw water pass valve during regeneration. With External Bypass Valve. With Hard-water mixing screw.

Box: WxLxH (mm)	Box: Q.ty	Box: Weight (kg)	Pallet: WxLxH (mm)	Pallet: Q.ty	Pallet: Weight (kg)
385x515x1115	1			4	

Certificates	Manufacturer	Sectors
CE	Runxin	Domestic



RUNXIN Automatic Water Softeners EOS-M Series



- Suitable for residential water softening applications;
 - With standard accessories and pre-assembled, with ion exchange resin;
 - Standard colours: white tank and white cover, in High Density Polyethylene (HDPE);
 - With F79 Runxin Valve: electronic, volumetric, programmable, multilinguage.
- Pieces per 40' container = 327.

Ref.	Description	Fam.	Subfam.	Price Euro
SR141	EOS-M RUNXIN AUTOMATIC WATER SOFTENER	405	807	741,82

Characteristics:	
Connections In/Out	3/4"
Resin Tank Size	10x17
Resin Volume	12 liters
Height	615 mm
Width	325 mm
Depth	525 mm
Power input	100-240 V 50-60 Hz
Power output	12 V 1,5 A
Maximum power	18 W
Operating temperature	5 - 38 °C
Operating pressure	2 - 6 bar
Suggested flow rate	1 m3/h
Water capacity per cycle, specified for CaCO ₃ concentration 250 mg/l	2,5 m3
Type of regeneration	Meter delayed UpFlow - Meter delayed DownFlow
Type of menu	Foreground menu (available for customer) - you can adjust water hardness. Background menu - you can adjust advanced settings.
Languages of menu	English, Spanish, French, Italian, German, Slovakian, Russian, Polish, Chinese, Turckisch, Catalan.
Additional functions	With raw water pass valve during regeneration. With External Bypass Valve. With Hard-water mixing screw.

Box: WxLxH (mm)	Box: Q.ty	Box: Weight (kg)	Pallet: WxLxH (mm)	Pallet: Q.ty	Pallet: Weight (kg)
390x570x1135	1			8	

Certificates	Manufacturer	Sectors
CE	Runxin	Domestic



RUNXIN Automatic Water Softeners EOS-XL Series



- Suitable for residential water softening applications;
 - With standard accessories and pre-assembled, with ion exchange resin;
 - Standard colours: white tank and white cover, in High Density Polyethylene (HDPE);
 - With F79 Runxin Valve: electronic, volumetric, programmable, multilingual.
- Pieces per 40' container = 218.

Ref.	Description	Fam.	Subfam.	Price Euro
SR161	EOS-XL RUNXIN AUTOMATIC WATER SOFTENER	405	807	1040,55

Characteristics:	
Connections In/Out	3/4"
Resin Tank Size	10x35
Resin Volume	25 liters
Height	1070 mm
Width	320 mm
Depth	525 mm
Power input	100-240 V 50-60 Hz
Power output	12 V 1,5 A
Maximum power	18 W
Operating temperature	5 - 38 °C
Operating pressure	2 - 6 bar
Suggested flow rate	1,5 m3/h
Water capacity per cycle, specified for CaCO3 concentration 250 mg/l	5,3 m3
Type of regeneration	Meter delayed UpFlow - Meter delayed DownFlow
Type of menu	Foreground menu (available for customer) - you can adjust water hardness. Background menu - you can adjust advanced settings.
Languages of menu	English, Spanish, French, Italian, German, Slovakian, Russian, Polish, Chinese, Turkish, Catalan.
Additional functions	With raw water pass valve during regeneration. With External Bypass Valve. With Hard-water mixing screw.

Box: WxLxH (mm)	Box: Q.ty	Box: Weight (kg)	Pallet: WxLxH (mm)	Pallet: Q.ty	Pallet: Weight (kg)
385x515x655	1			4	

Certificates	Manufacturer	Sectors
CE	Runxin	Domestic



RUNXIN Automatic Water Softeners HERA-S Series



- Suitable for residential water softening applications;
 - With standard accessories and pre-assembled, with ion exchange resin;
 - Standard colours: white tank and white cover, in High Density Polyethylene (HDPE);
 - With F79 Runxin Valve: electronic, volumetric, programmable, multilinguage.
- Pieces per 40' container = 450.

Ref.	Description	Fam.	Subfam.	Price Euro
SR181	HERA-S RUNXIN AUTOMATIC WATER SOFTENER	405	807	663,30

Characteristics:	
Connections In/Out	3/4"
Resin Tank Size	8x17
Resin Volume	8 liters
Height	630 mm
Width	260 mm
Depth	440 mm
Power input	100-240 V 50-60 Hz
Power output	12 V 1,5 A
Maximum power	18 W
Operating temperature	5 - 38 °C
Operating pressure	2 - 6 bar
Suggested flow rate	0,6 m3/h
Water capacity per cycle, specified for CaCO3 concentration 250 mg/l	1,7 m3
Type of regeneration	Meter delayed UpFlow - Meter delayed DownFlow
Type of menu	Foreground menu (available for customer) - you can adjust water hardness. Background menu - you can adjust advanced settings.
Languages of menu	English, Spanish, French, Italian, German, Slovakian, Russian, Polish, Chinese, Turkish, Catalan.
Additional functions	With raw water pass valve during regeneration. With External Bypass Valve. With Hard-water mixing screw.

Box: WxLxH (mm)	Box: Q.ty	Box: Weight (kg)	Pallet: WxLxH (mm)	Pallet: Q.ty	Pallet: Weight (kg)
325x485x685	1			8	

Certificates	Manufacturer	Sectors
CE	Runxin	Domestic



RUNXIN Automatic Water Softeners HERA-L Series



- Suitable for residential water softening applications;
 - With standard accessories and pre-assembled, with ion exchange resin;
 - Standard colours: white tank and white cover, in High Density Polyethylene (HDPE);
 - With F79 Runxin Valve: electronic, volumetric, programmable, multilinguage.
- Pieces per 40' container = 300.

Ref.	Description	Fam.	Subfam.	Price Euro
SR201	HERA-L RUNXIN AUTOMATIC WATER SOFTENER	405	807	888,00

Characteristics:	
Connections In/Out	3/4"
Resin Tank Size	8x35
Resin Volume	20 liters
Height	1090 mm
Width	260 mm
Depth	440 mm
Power input	100-240 V 50-60 Hz
Power output	12 V 1,5 A
Maximum power	18 W
Operating temperature	5 - 38 °C
Operating pressure	2 - 6 bar
Suggested flow rate	1,5 m3/h
Water capacity per cycle, specified for CaCO3 concentration 250 mg/l	4,2 m3
Type of regeneration	Meter delayed UpFlow - Meter delayed DownFlow
Type of menu	Foreground menu (available for customer) - you can adjust water hardness. Background menu - you can adjust advanced settings.
Languages of menu	English, Spanish, French, Italian, German, Slovakian, Russian, Polish, Chinese, Turckisch, Catalan.
Additional functions	With raw water pass valve during regeneration. With External Bypass Valve. With Hard-water mixing screw.

Box: WxLxH (mm)	Box: Q.ty	Box: Weight (kg)	Pallet: WxLxH (mm)	Pallet: Q.ty	Pallet: Weight (kg)
325x485x1150	1			4	

Certificates	Manufacturer	Sectors
CE	Runxin	Domestic



RUNXIN Automatic Water Softeners SATURN-M Series



- Suitable for residential water softening applications;
 - With standard accessories and pre-assembled, with ion exchange resin;
 - Standard colours: white tank and white cover, in High Density Polyethylene (HDPE);
 - With F105 Runxin Valve: electronic, volumetric, programmable, multilinguage.
- Pieces per 40' container = 350.

Ref.	Description	Fam.	Subfam.	Price Euro
SR221	SATURN-M RUNXIN AUTOMATIC WATER SOFTENER	405	807	855,93

Characteristics:	
Connections In/Out	3/4"
Resin Tank Size	10x15
Resin Volume	11 liters
Height	540 mm
Width	315 mm
Depth	450 mm
Power input	100-240 V 50-60 Hz
Power output	12 V 1,5 A
Maximum power	18 W
Operating temperature	5 - 38 °C
Operating pressure	1,5 - 4 bar
Suggested flow rate	0,8 - 1 m3/h
Water capacity per cycle, specified for CaCO3 concentration 250 mg/l	2,3 m3
Type of regeneration	Meter delayed UpFlow - Meter delayed DownFlow
Type of menu	Foreground menu (available for customer) - you can adjust water hardness. Background menu - you can adjust advanced settings.
Languages of menu	English, Spanish, French, Italian, German, Chinese.
Additional functions	With raw water pass valve during regeneration. Bypass included. With Hard-water mixing screw. Possibility to connect a disinfecting device. Anti-flooding protection. Vacation mode. Possibility to set the head in the closed position. Dry brine tank. Salt refill alarm. Service alarm. WIFI module.

Box: WxLxH (mm)	Box: Q.ty	Box: Weight (kg)	Pallet: WxLxH (mm)	Pallet: Q.ty	Pallet: Weight (kg)
380x500x605	1			8	

Certificates	Manufacturer	Sectors
CE	Runxin	Domestic



RUNXIN Automatic Water Softeners SATURN-XL Series



- Suitable for residential water softening applications;
- With standard accessories and pre-assembled, with ion exchange resin;
- Standard colours: white tank and white cover, in High Density Polyethylene (HDPE);
- With F105 Runxin Valve: electronic, volumetric, programmable, multilinguage.

- Pieces per 40' container = 250.

Ref.	Description	Fam.	Subfam.	Price Euro
SR241	SATURN-XL RUNXIN AUTOMATIC WATER SOFTENER	405	807	1150,33

Characteristics:	
Connections In/Out	3/4"
Resin Tank Size	10x35
Resin Volume	25 liters
Height	1045 mm
Width	315 mm
Depth	450 mm
Power input	100-240 V 50-60 Hz
Power output	12 V 1,5 A
Maximum power	18 W
Operating temperature	5 - 38 °C
Operating pressure	1,5 - 4 bar
Suggested flow rate	1 - 2,5 m3/h
Water capacity per cycle, specified for CaCO ₃ concentration 250 mg/l	5,3 m3
Type of regeneration	Meter delayed UpFlow - Meter delayed DownFlow
Type of menu	Foreground menu (available for customer) - you can adjust water hardness. Background menu - you can adjust advanced settings.
Languages of menu	English, Spanish, French, Italian, German, Chinese.
Additional functions	With raw water pass valve during regeneration. Bypass included. With Hard-water mixing screw. Possibility to connect a disinfecting device. Anti-flooding protection. Vacation mode. Possibility to set the head in the closed position. Dry brine tank. Salt refill alarm. Service alarm. WIFI module.

Box: WxLxH (mm)	Box: Q.ty	Box: Weight (kg)	Pallet: WxLxH (mm)	Pallet: Q.ty	Pallet: Weight (kg)
380x500x1115	1			4	

Certificates	Manufacturer	Sectors
CE	Runxin	Domestic



RUNXIN Automatic Water Softeners ROMA-M Series



- Suitable for residential water softening applications;
- With standard accessories and pre-assembled, with ion exchange resin;
- Standard colours: white tank and white cover, in High Density Polyethylene (HDPE);
- With F79 Runxin Valve: electronic, volumetric, programmable, multilingual.
- Pieces per 40' container = 350.

Ref.	Description	Fam.	Subfam.	Price Euro
SR261	ROMA-M RUNXIN AUTOMATIC WATER SOFTENER	405	807	789,69

Characteristics:	
Connections In/Out	3/4"
Resin Tank Size	10x15
Resin Volume	15 liters
Height	545 mm
Width	315 mm
Depth	455 mm
Power input	100-240 V 50-60 Hz
Power output	12 V 1,5 A
Maximum power	18 W
Operating temperature	5 - 38 °C
Operating pressure	1,5 - 4 bar
Suggested flow rate	0,8 - 1 m3/h
Water capacity per cycle, specified for CaCO3 concentration 250 mg/l	2,3 m3
Type of regeneration	Meter delayed UpFlow - Meter delayed DownFlow
Type of menu	Foreground menu (available for customer) - you can adjust water hardness. Background menu - you can adjust advanced settings.
Languages of menu	English, Spanish, French, Italian, German, Slovakian, Russian, Polish, Chinese, Turkish, Catalan.
Additional functions	With raw water pass valve during regeneration. With External Bypass Valve. With Hard-water mixing screw. Possibility to connect a disinfecting device.

Box: WxLxH (mm)	Box: Q.ty	Box: Weight (kg)	Pallet: WxLxH (mm)	Pallet: Q.ty	Pallet: Weight (kg)
380x500x605	1			8	

Certificates	Manufacturer	Sectors
CE	Runxin	Domestic



RUNXIN Automatic Water Softeners ROMA-XL Series



- Suitable for residential water softening applications;
 - With standard accessories and pre-assembled, with ion exchange resin;
 - Standard colours: white tank and white cover, in High Density Polyethylene (HDPE);
 - With F79 Runxin Valve: electronic, volumetric, programmable, multilingual.
- Pieces per 40' container = 250.

Ref.	Description	Fam.	Subfam.	Price Euro
SR281	ROMA-XL RUNXIN AUTOMATIC WATER SOFTENER	405	807	1097,20

Characteristics:	
Connections In/Out	3/4"
Resin Tank Size	10x35
Resin Volume	25 liters
Height	1050 mm
Width	315 mm
Depth	455 mm
Power input	100-240 V 50-60 Hz
Power output	12 V 1,5 A
Maximum power	18 W
Operating temperature	5 - 38 °C
Operating pressure	1,5 - 4 bar
Suggested flow rate	1 - 2,5 m3/h
Water capacity per cycle, specified for CaCO ₃ concentration 250 mg/l	5,3 m3
Type of regeneration	Meter delayed UpFlow - Meter delayed DownFlow
Type of menu	Foreground menu (available for customer) - you can adjust water hardness. Background menu - you can adjust advanced settings.
Languages of menu	English, Spanish, French, Italian, German, Slovakian, Russian, Polish, Chinese, Turkish, Catalan.
Additional functions	With raw water pass valve during regeneration. With External Bypass Valve. With Hard-water mixing screw. Possibility to connect a disinfecting device.

Box: WxLxH (mm)	Box: Q.ty	Box: Weight (kg)	Pallet: WxLxH (mm)	Pallet: Q.ty	Pallet: Weight (kg)
380x500x1115	1			4	

Certificates	Manufacturer	Sectors
CE	Runxin	Domestic



Automatic Water Softeners LUNA-XL Series



- Suitable for residential water softening applications;
 - With standard accessories and pre-assembled, with ion exchange resin;
 - Standard colours: white tank and white cover, in High Density Polyethylene (HDPE);
 - With F79 Runxin Valve: electronic, volumetric, programmable, multilinguage.
- Pieces per 40' container = 220.

Ref.	Description	Fam.	Subfam.	Price Euro
SR301	LUNA-XL RUNXIN AUTOMATIC WATER SOFTENER	405	807	1033,23

Characteristics:	
Connections In/Out	3/4"
Resin Tank Size	10x35
Resin Volume	25 liters
Height	1090 mm
Width	360 mm
Depth	490 mm
Power input	100-240 V 50-60 Hz
Power output	12 V 1,5 A
Maximum power	18 W
Operating temperature	5 - 38 °C
Operating pressure	2 - 6 bar
Suggested flow rate	1,5 m3/h
Water capacity per cycle, specified for CaCO ₃ concentration 250 mg/l	7,3 m3
Type of regeneration	Meter delayed UpFlow - Meter delayed DownFlow
Type of menu	Foreground menu (available for customer) - you can adjust water hardness. Background menu - you can adjust advanced settings.
Languages of menu	English, Spanish, French, Italian, German, Slovakian, Russian, Polish, Chinese, Turckisch, Catalan.
Additional functions	With raw water pass valve during regeneration. With External Bypass Valve. With Hard-water mixing screw. Possibility to connect a disinfecting device.

Box: WxLxH (mm)	Box: Q.ty	Box: Weight (kg)	Pallet: WxLxH (mm)	Pallet: Q.ty	Pallet: Weight (kg)
450x520x1135	1			4	

Certificates	Manufacturer	Sectors
CE	Runxin	Domestic



RUNXIN Automatic Water Softeners LUNA-XXL Series



- Suitable for residential water softening applications;
 - With standard accessories and pre-assembled, with ion exchange resin;
 - Standard colours: white tank and white cover, in High Density Polyethylene (HDPE);
 - With F79 Runxin Valve: electronic, volumetric, programmable, multilingual.
- Pieces per 40' container = 110.

Ref.	Description	Fam.	Subfam.	Price Euro
SR321	LUNA-XXL RUNXIN AUTOMATIC WATER SOFTENER	405	807	1219,15

Characteristics:	
Connections In/Out	3/4"
Resin Tank Size	10x44
Resin Volume	35 liters
Height	1300 mm
Width	360 mm
Depth	490 mm
Power input	100-240 V 50-60 Hz
Power output	12 V 1,5 A
Maximum power	18 W
Operating temperature	5 - 38 °C
Operating pressure	2 - 6 bar
Suggested flow rate	1,5 m3/h
Water capacity per cycle, specified for CaCO ₃ concentration 250 mg/l	7,4 m3
Type of regeneration	Meter delayed UpFlow - Meter delayed DownFlow
Type of menu	Foreground menu (available for customer) - you can adjust water hardness. Background menu - you can adjust advanced settings.
Languages of menu	English, Spanish, French, Italian, German, Slovakian, Russian, Polish, Chinese, Turkish, Catalan.
Additional functions	With raw water pass valve during regeneration. With External Bypass Valve. With Hard-water mixing screw. Possibility to connect a disinfecting device.

Box: WxLxH (mm)	Box: Q.ty	Box: Weight (kg)	Pallet: WxLxH (mm)	Pallet: Q.ty	Pallet: Weight (kg)
450x520x1400	1			4	

Certificates	Manufacturer	Sectors
CE	Runxin	Domestic



Eurotrol
Via Enrico Fermi, 23 Settimo M.se (MI)

-  **13 km** from Milano Centrale train station
-  **14 km** from the centre of the city
-  **36 km** from Linate Airport
45 km from Malpensa Airport
61 km from Orio al Serio (BG) Airport

EUROTROL®

WATER TREATMENT COMPONENTS

Eurotrol S.p.A.
Via Enrico Fermi, 23 • 20019 Settimo M.se (MI) • Italy • Tel +39.02.335458 r.a.

www.eurotrol.it

EUROTROL® is present on all major social networks

