

EUROTROL®

WATER TREATMENT COMPONENTS



Distribution of water
treatment
components and solutions

PRODUCT CATALOG

A large, dynamic splash of water in shades of light blue and white, filling the background of the page. The splash is centered and spreads outwards, creating a sense of movement and freshness. The water droplets are captured in mid-air, with some larger droplets and many smaller ones scattered around the main splash.

AN ITALIAN STORY

It comes from us, it grows with you.

It comes from us, it grows with you.

EUROTROL® is not just a logo: is a life and entrepreneurship philosophy.

2000: Rino Leoni's idea of selling water treatment components and solutions becomes a reality.

A family reality.

The strength of his project is reflected in the values he believes in: courtesy, respect and passion.

Customers are at the heart of everything.

Their needs and requirements are always met through standard and customized solutions.

EUROTROL® focuses on listening and paying attention to each customer request.

Thanks to its experience, research and quick responses, **EUROTROL®** is now an **international leader in the distribution of water treatment components, for residential, business and industrial applications.**

OUR PRODUCTS



Our products tell our story and our philosophy. The products distributed by **EUROTROL®** represent what we truly are. Our family values. Our corporate value. Every product we make available to our customers is the result of our know-how that gets better every year and of our strong expertise. Every product we offer is the result of our research and innovation.



EXCELLENCE, IN EVERY FIELD

In all primary water treatment sectors and applications, **EUROTROL®** offers a wide range of products that interpret our customers' needs and meet their requirements.



RESIDENTIAL



BUSINESS



INDUSTRIAL

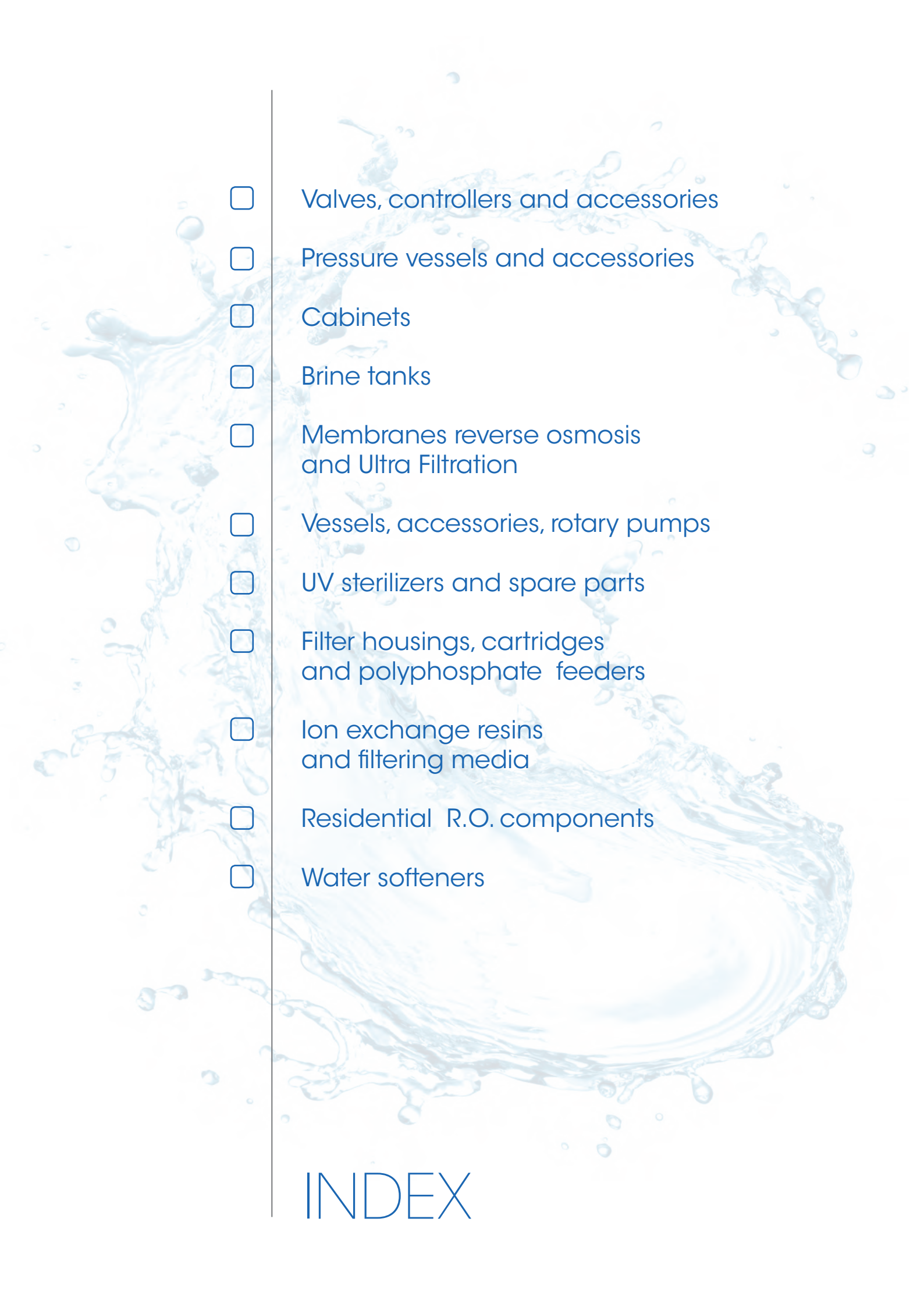
In just a few years, Eurotrol developed over 18 European design patents and distributed 1/3 of its products under the MWG brand.

Innovation and initiative, along with our core values: here at **EUROTROL®**, we reflect them every single day.

Thanks to our focus on products, we can boast countless certifications.



- ASME
- Attestation de Conformité Sanitaire per la Francia
- CSA (=normativa elettrica per il Canada)
- Decreto Ministeriale n.174 del 2004
- Decreto Ministeriale n.25 del 2012
- Direttiva Europea 2002/95/CE (Direttiva ROHS)
- Direttiva Europea 2011/65/UE (Direttiva ROHS II)
- Direttiva Europea 2015/863/UE (Direttiva ROHS III)
- Direttiva Europea 2012/19/UE (RAEE)
- Direttiva Europea 2006/42/CE (Direttiva Macchine)
- Direttiva Europea 2014/35/UE (Bassa Tensione)
- Direttiva Europea 2014/30/UE (Elettromagnetismo)
- Direttiva Europea 2014/68/UE (PED)
- EAC per la Russia
- FDA per gli USA
- KTW per la Germania
- NSF internazionale
- Regolamento CE 1272-2008 (CLP)
- Regolamento CE 1907-2006 (REACH) e successive modifiche e integrazioni
- Standard EN 1208:2005 "Prodotti utilizzati per il trattamento delle acque destinate al consumo umano - Polifosfato di sodio e di calcio"
- Standard europeo EN 15029:2006 "Prodotti utilizzati per il trattamento delle acque destinate al consumo umano - Ossido - Idrossido di Ferro (III)"
- Standard europeo UNI ISO EN 12904:2005 "Prodotti utilizzati per il trattamento delle acque destinate al consumo umano - Sabbia e ghiaia di quarzo"
- Standard europeo EN 12909:2005 "Prodotti utilizzati per il trattamento delle acque destinate al consumo umano - Antracite"
- Standard europeo UNI ISO EN 12915-1:2004 "Prodotti utilizzati per il trattamento delle acque destinate al consumo umano - Carbone attivo granulare"
- Standard europeo UNI ISO EN 13752:2003 "Prodotti utilizzati per il trattamento delle acque destinate al consumo umano - Biossido di Manganese"
- UL (=normativa elettrica per gli USA)
- WRAS per il Regno Unito.

- 
- A large, artistic splash of water in shades of light blue and white, filling the background of the page. The splash is dynamic, with many droplets and bubbles, creating a sense of movement and freshness.
- Valves, controllers and accessories
 - Pressure vessels and accessories
 - Cabinets
 - Brine tanks
 - Membranes reverse osmosis and Ultra Filtration
 - Vessels, accessories, rotary pumps
 - UV sterilizers and spare parts
 - Filter housings, cartridges and polyphosphate feeders
 - Ion exchange resins and filtering media
 - Residential R.O. components
 - Water softeners

INDEX



GENERAL SALE'S CONDITIONS

- Any other conditions different from the following will be valid, if accepted in writing.
- Sending the order, the Buyer knows and accepts the general sale's conditions.
- The prices are ex-warehouse, packing included.
- Catalogs and technical sheets can be modified in any moment.
- Eventual delays in delivery do not justify the order's cancellation neither any indenisation.
- Any risk during the delivery is taken by the Buyer. The Buyer has to check quantities and conditions at the reception of the goods; eventual complaints have to be made in writing within 8 days from reception.
- The products are guaranteed for a period of 12 months from the date of delivery, except the normal wear.
The goods considered defective, after our written authorization, have to be returned at Buyer's freight together with the information about the defect.
- We can accept return of material for any different reason than warranty claim only by previous authorization and within 90 days from invoice date. The value of goods will be decreased by 20% from purchase price for all the products except for cabinets that will be decreased by 30%.
- We can't accept return of material indicated in this catalogue as "not available in stock".
- The eventual cancellation of an order of material "not available in stock" must be done within 3 working days from the order date.
- In case of delay in payments interest are due. The delay will cause the suspension of the guarantee and further supplies. The property of the delivered goods will remain to us until the complete payment of the invoices.
- We will not accept orders for net amount lower than 250 EURO.
- In case of controversy the Law – court of Milan (Italy) will be competent.

The images and texts contained in this document are the property of Eurotrol SpA, which reserves the right to change them without notice.

It may not be used, even partially, without prior authorization from Eurotrol SpA.

EUROTROL®

WATER TREATMENT COMPONENTS



AUTOTROL, CLACK,
FLECK, RUNXIN
Valves, controllers
and accessories

INDEX



Autotrol Residential Valves Series 368



- For automatic and residential water softening systems;
- Valve body in NSF listed Noryl plastic material;
- Valve rubber compounded for cold water, NSF listed material;
- Operating flow rate $K_v = 3,68$;
- Backwash flow rate = 10 lpm @ Δp 1,72 bar;
- Resin volume range = 5 ÷ 25 litres;
- Available with the following controllers:
- 604 electronic chronometric; 606 electronic volumetric;
- With European transformer 12/230V - 50Hz;
- Accessories (e.g. upper screen, etc.) not included;
- Programmable chronometric regeneration (calendar override) and consumption statistical data memory.

Ref	Description	Fam.	Subfam.	Disp. Stock	
AB300	VAL.368/604 3/4" M REFILL.14 INJ E DLFC 0.9 GPM 12/230V 50HZ EURO PLUG	010	026	•	
AB301	VAL.368/604 3/4" M REFILL.14 INJ F DLFC 1.20 GPM 12/230V 50HZ EURO PLUG	010	026	•	
AB302	VAL.368/604 3/4" M REFILL.14 INJ G DLFC 1.60 GPM 12/230V 50HZ EURO PLUG	010	026	•	
AB303	VAL.368/604 3/4" M REFILL.14 INJ H DLFC 2.00 GPM 12/230V 50HZ EURO PLUG	010	026	•	
AB400	VAL.368/606 3/4" M REFILL.14 INJ E DLFC 0.9 GPM 12/230V 50HZ EURO PLUG	010	027	•	
AB401	VAL.368/606 3/4" M REFILL.14 INJ F DLFC 1.20 GPM 12/230V 50HZ EURO PLUG	010	027	•	
AB402	VAL.368/606 3/4" M REFILL.14 INJ G DLFC 1.60 GPM 12/230V 50HZ EURO PLUG	010	027	•	
AB403	VAL.368/606 3/4" M REFILL.14 INJ H DLFC 2.00 GPM 12/230V 50HZ EURO PLUG	010	027	•	
AB500	VAL.368/606 3/4" M REF.14 INJ E DLFC 0.9 GPM 12/230V 50HZ EUR P+ BYPASS	010	028	•	
AB501	VAL.368/606 3/4" M REF.14 INJ F DLFC 1.20 GPM 12/230V 50HZ EUR P+ BYPASS	010	028	•	
AB502	VAL.368/606 3/4" M REF.14 INJ G DLFC 1.60 GPM 12/230V 50HZ EUR P+ BYPASS	010	028	•	
AB503	VAL.368/606 3/4" M REF.14 INJ H DLFC 2.00 GPM 12/230V 50HZ EUR P+ BYPASS	010	028	•	

Characteristics:	
Pressure vessel connection	Threaded 2 1/2" 8 UN male
Brine line connection	Threaded 3/8" BSPT male
Distributor tube O. D. diameter	1,05" (= 27 mm)
Distributor tube length above pressure vessel	± 1/2" (= ± 13 mm)
Weight (valve + controller)	1,7 kg
Operating pressure	1,38 ÷ 8,27 bar
Water temperature	2°C ÷ 38°C

Box: WxLxH	Box: Q.ty	Box: Weight	Pallet: WxLxH	Pallet: Q.ty	Pallet: Weight
28x80x35	4	11,4	120x80x225	96	29,0

Certificates	Manufacturer	Sectors
DM174-2004 ACS CE, EAC	Pentair	Domestic, Commercial



Autotrol Residential Valves Series 255 with Controller

- For automatic and residential water softening systems;
- valve body in NSF listed Noryl plastic material;
- valve rubber compounded for cold water, NSF listed material;
- operating flow rate Kv = 3,4;
- backwash flow rate = 22,7 lpm @ Δp 1,72 bar;
- resin volume range = 5 ÷ 75 litres;
- available with series 400 controller;
- 460tc electronic chronometric;
- with European transformer 12/230V - 50Hz;
- adapters and manifold kit not included, to order separately;
- accessories (e.g. upper screen, etc.) not included.



Ref	Description	Fam.	Subfam.	Disp. Stock	
AA310	VALV. 255/460tc 59' A-A 07 12/220V 50HZ SYM	010	005	•	
AA311	VALV. 255/460tc 59' A-A 08 12/220V 50HZ SYM	010	005	•	
AA313	VALV. 255/460tc 118' A-A 08 12/220V 50HZ SYM	010	005	•	
AA315	VALV. 255/460tc 118' B-B 10 12/220V 50HZ SYM	010	005	•	

Characteristics :	
Pressure vessel connection	Threaded 2 ½" 8 UN male
Brine line connection	Threaded ¼" NPT male
Distributor tube O. D. diameter	1,05" (= 27 mm)
Distributor tube length above pressure vessel	29 ± 3 mm
Weight (valve + controller)	1,8 kg
Operating pressure	1,38 ÷ 8,27 bar
Water temperature	2°C ÷ 38°C

Box: WxLxH	Box: Q.ty	Box: Weight	Pallet: WxLxH	Pallet: Q.ty	Pallet: Weight
	4				

Certificates	Manufacturer	Sectors
DM174-2004 ACS CE, EAC	Pentair	Domestic



Autotrol Residential Valves Series 255 with Series Logix Controller

- For automatic and residential water softening systems;
- valve body in NSF listed Noryl plastic material;
- valve rubber compounded for cold water, NSF listed material; operating flow rate Kv = 3,4;
- backwash flow rate = 22,7 lpm @ Δp 1,72 bar;
- resin volume range = 5 ÷ 75 litres;
- available with series LOGIX controller;
- 740 C electronic chronometric;
- 760 C electronic volumetric;
- 742 C electronic chronometric programmable;
- 762 C electronic volumetric programmable;
- with European transformer 12/230V - 50Hz;
- adapters and manifold kit not included, to order sep arately;
- accessories (e.g. upper screen, etc.) not included.



Ref	Description	Fam.	Subfam.	Disp. Stock	
AA203E	VALV. 255/740C BW 07 INJ F SYMBOL 12/230V 50HZ EURO PLUG	010	006	•	
AA212E	VALV. 255/740C BW 10 INJ J SYMBOL 12/230V 50HZ EURO PLUG	010	006	•	
AA212EE	VALV. 255/740C BW 10 INJ J SYMBOL 12/230V 50HZ ENG. PLUG	010	006	•	
AA101E	VALV. 255/742C .33 F 07 SYMBOL 12/230V 50HZ EURO PLUG	010	007	•	
AA104E	VALV. 255/742C .33 J 10 SYMBOL 12/230V 50HZ EURO PLUG	010	007	•	
AC203E	VALV. 255/760C BW 07 INJ F SYMBOL 12/230V 50HZ EURO PLUG	010	016	•	
AC206E	VALV. 255/760C BW 08 INJ G SYMBOL 12/230V 50HZ EURO PLUG	010	016	•	
AC209E	VALV. 255/760C BW 09 INJ H SYMBOL 12/230V 50HZ EURO PLUG	010	016	•	
AC212E	VALV. 255/760C BW 10 INJ J SYMBOL 12/230V 50HZ EURO PLUG	010	016	•	
AC212EE	VALV. 255/760C BW 10 INJ J SYMBOL 12/230V 50HZ ENG. PLUG	010	016	•	
AC215E	VALV. 255/760C BW 12 INJ K SYMBOL 12/230V 50HZ EURO PLUG	010	016	•	
AC218E	VALV. 255/760C BW 13 INJ L SYMBOL 12/230V 50HZ EURO PLUG	010	016	•	
AC221E	VALV. 255/760C BW 14 INJ L SYMBOL 12/230V 50HZ EURO PLUG	010	016	•	
AC101E	VALV. 255/762C .33 F 07 SYMBOL 12/230V 50HZ EURO PLUG	010	017	•	
AC102E	VALV. 255/762C .33 G 08 SYMBOL 12/230V 50HZ EURO PLUG	010	017	•	
AC104E	VALV. 255/762C .33 J 10 SYMBOL 12/230V 50HZ EURO PLUG	010	017	•	
AC105E	VALV. 255/762C .33 K 12 SYMBOL 12/230V 50HZ EURO PLUG	010	017	•	
AC106E	VALV. 255/762C .33 L 13 SYMBOL 12/230V 50HZ EURO PLUG	010	017	•	

Characteristics :	
Pressure vessel connection	Threaded 2 ½" 8 UN male
Brine line connection	Threaded ¼" NPT male
Distributor tube O. D. diameter	1,05" (= 27 mm)
Distributor tube length above pressure vessel	29 ± 3 mm
Weight (valve + controller)	1,8 kg
Operating pressure	1,38 ÷ 8,27 bar
Water temperature	2°C ÷ 38°C

Box: WxLxH	Box: Q.ty	Box: Weight	Pallet: WxLxH	Pallet: Q.ty	Pallet: Weight
40x55x50	4	14,3	120x80x210	64	245

Certificates	Manufacturer	Sectors
DM174-2004, ACS, CE, EAC	Pentair	Domestic



Residential Duplex Systems with Autotrol Valves Series 255 Twin and 764 Controller



- For automatic and residential / commercial water softening systems;
- For twin alternating and twin parallel systems;
- consisting of n.2 valves (one "main" and another one "secondary") with 764 electronic volumetric;
- with European transformer 12/230V - 50Hz;
- valve body in NSF listed Noryl plastic material;
- valve rubber compounded for cold water, NSF listed material;
- operating flow rate for each tank $K_v = 3,4$;
- backwash flow rate for each tank = 22,7 lpm @ Δp 1,72 bar;
- resin volume range for each tank = 5 ÷ 75 litres;
- interconnection kit (REF. AV119) and accessories (e.g. upper screen, etc.) not included, to order separately.

Ref	Description	Fam.	Subfam.	Disp. Stock	
AF054E	VALV. 255/764 TWIN BW 10 INJ J SYMBOL 12/230V 50HZ EURO PLUG	010	030	•	
AF056E	VALV. 255/764 TWIN BW 13 INJ L SYMBOL 12/230V 50HZ EURO PLUG	010	030	•	

Characteristics:	
Pressure vessel connection	Threaded 2 ½" 8 UN male
Drain line connection	Threaded ½ male, included in interconnection kit
Brine line connection	Threaded ¼" NPT male
Distributor tube O. D. diameter	1,05" (= 27 mm)
Distributor tube length above pressure vessel	29 ± 3 mm
Weight (valve + controller)	1,8 kg
Operating pressure	1,38 ÷ 8,27 bar
Water temperature	2°C ÷ 38°C

Box: WxLxH	Box: Q.ty	Box: Weight	Pallet: WxLxH	Pallet: Q.ty	Pallet: Weight
	2				

Certificates	Manufacturer	Sectors
DM174-2004, ACS, CE, EAC	Pentair	Domestic



Autotrol Residential Valves Series 263 with 460tc Controller

- For automatic and residential water filtration systems;
- with 460tc electronic chronometric controller;
- valve body in NSF listed Noryl plastic material;
- valve rubber compounded for cold water, NSF listed material;
- operating flow rate Kv = 5,6;
- backwash flow rate = 75,7 lpm @ Δp 1,72 bar;
- with European transformer 12/230V - 50Hz;
- adapters and manifold kit not included, to order separately;
- accessories (ex. upper screen, etc.) not included.



Ref	Description	Fam.	Subfam.	Disp. Stock	
AL060	VALV. 263/460tc 118' BW 12 - 12V.50 HZ SYM	010	045	•	

Characteristics :	
Pressure vessel connection	Threaded 2 ½" 8 UN male
Drain line connection	Threaded ¾" NPT, male
Brine line connection	Threaded ¾" NPT, male
Distributor tube O. D. diameter	1,05" (= 27 mm)
Distributor tube length above pressure vessel	29 ± 3 mm
Weight (valve + controller)	2,00 kg
Operating pressure	1,38 ÷ 8,27 bar
Water temperature	2°C ÷ 38°C

Box: WxLxH	Box: Q.ty	Box: Weight	Pallet: WxLxH	Pallet: Q.ty	Pallet: Weight
	4				

Certificates	Manufacturer	Sectors
DM174-2004, ACS, CE, EAC	Pentair	Domestic



Autotrol Residential Valves Series 268 with Series Logix Controller



- For automatic and residential water softening systems;
- valve body in NSF listed Noryl plastic material;
- valve rubber compounded for cold water, NSF listed material;
- operating flow rate Kv = 5,6;
- backwash flow rate = 75,7 lpm @ Δp 1,72 bar;
- resin volume range = 30 ÷ 125 litres;
- available with series LOGIX controller:
- 740 C electronic chronometric;
- 760 C electronic volumetric;
- 742 C electronic chronometric programmable;
- 762 C electronic volumetric programmable;
- with European transformer 12/230V - 50Hz;
- adapters and manifold kit not included, to order separately;
- accessories (e.g. upper screen, etc.) not included;
- for 268FA/742 and 268FA/762 models.

Ref	Description	Fam.	Subfam.	Disp. Stock	
AM218E	VALV. 268/740C BW 13 INJ L SYMBOL 12/230V 50HZ EURO PLUG	010	047	•	
AM061E	VALV. 268/742C .33 J 10 SYMBOL 12/230V 50HZ EURO PLUG	010	046	•	
AM062E	VALV. 268/742C .33 K 12 SYMBOL 12/230V 50HZ EURO PLUG	010	046	•	
AP221E	VALV. 268/760C BW 14 INJ L SYMBOL 12/230V 50HZ EURO PLUG	010	049	•	
AP042E	VALV. 268/762C .33 K 12 SYMBOL 12/230V 50HZ EURO PLUG	010	051	•	
AP044E	VALV. 268/762C .33 L 14 SYMBOL 12/230V 50HZ EURO PLUG	010	051	•	

Characteristics :	
Pressure vessel connection	Threaded 2 ½" 8 UN male
Drain line connection	Threaded ¾" NPT, male
Brine line connection	Threaded ¾" NPT, male
Distributor tube O. D. diameter	1,05" (= 27 mm)
Distributor tube length above pressure vessel	½" ± ½" (= 13 ± 13 mm)
Weight (valve + controller)	2,42 kg
Operating pressure	1,38 ÷ 8,27 bar
Water temperature	2°C ÷ 38°C

Box: WxLxH	Box: Q.ty	Box: Weight	Pallet: WxLxH	Pallet: Q.ty	Pallet: Weight
	4				

Certificates	Manufacturer	Sectors
DM174-2004, ACS, CE, EAC	Pentair	Domestic



Autotrol Residential Valves Series 263 with Series Logix Controller



- For automatic and residential water filtration systems;
- valve body in NSF listed Noryl plastic material;
- valve rubber compounded for cold water, NSF listed material;
- operating flow rate $K_v = 5,6$;
- backwash flow rate = 75,7 lpm @ Δp 1,72 bar;
- available with series LOGIX controller:
 - 740 F electronic chronometric;
 - 760 F electronic volumetric;
 - 742 F electronic chronometric programmable;
 - 762 F electronic volumetric programmable;
- with European transformer 12/230V - 50Hz;
- adapters and manifold kit not included, to order separately;
- accessories (e.g. upper screen, etc.) not included.

Ref	Description	Fam.	Subfam.	Disp. Stock	
AL209E	VALV. 263/740F BW 13 INJ H SYMBOL 12/230V 50HZ EURO PLUG	010	043	•	
AL215E-00	VALV.263/740F NO BW INJ K SYMBOL 12/230V 50HZ EURO PLUG	010	043	•	
AL073E	VALV. 263/742F BW 14 INJ L SYMBOL 12/230V 50HZ EURO PLUG	010	041	•	
AL075E-00	VALV.263/742F NO BW INJ L SYMBOL 12/230V 50HZ EURO PLUG	010	041	•	

Characteristics:	
Pressure vessel connection	Threaded 2 ½" 8 UN male
Drain line connection	Threaded ¾" NPT, male
Brine line connection	Threaded ⅝" NPT, male
Distributor tube O. D. diameter	1,05" (= 27 mm)
Distributor tube length above pressure vessel	½" ± ½" (= 13 ± 13 mm)
Weight (valve + controller)	2,42 kg
Operating pressure	1,38 ÷ 8,27 bar
Water temperature	2°C ÷ 38°C

Box: WxLxH	Box: Q.ty	Box: Weight	Pallet: WxLxH	Pallet: Q.ty	Pallet: Weight

Certificates	Manufacturer	Sectors
DM174-2004, ACS, CE, EAC	Pentair	Domestic



Autotrol Residential Valves Series 268FA with Series Logix Controller



- For automatic and residential water 5 cycles iron removal systems;
- valve body in NSF listed Noryl plastic material;
- valve rubber compounded for cold water, NSF listed material;
- operating flow rate Kv = 5,6;
- backwash flow rate = 75,7 lpm @ Δp 1,72 bar;
- available with series LOGIX controller;
- 742 F electronic chronometric programmable;
- 762 F electronic volumetric programmable;
- with European transformer 12/230V - 50Hz;
- adapters and manifold kit not included, to order separately;
- accessories (e.g. upper screen, etc.) not included.

Ref	Description	Fam.	Subfam.	Disp. Stock	
AQ066E	VALV. 268FA/742 BW 10 GPM (13") INJ L SYMBOL 12/230V 50HZ EURO PLUG	010	048	•	

Characteristics :	
Pressure vessel connection	Threaded 2 ½" 8 UN male
Drain line connection	Threaded ¾" NPT, male
Brine line connection	Threaded ¾" NPT, male
Distributor tube O. D. diameter	1,05" (= 27 mm)
Distributor tube length above pressure vessel	½" ± ½" (= 13 ± 13 mm)
Weight (valve + controller)	2,42 kg
Operating pressure	1,38 ÷ 8,27 bar
Water temperature	2°C ÷ 38°C

Box: WxLxH	Box: Q.ty	Box: Weight	Pallet: WxLxH	Pallet: Q.ty	Pallet: Weight
	4				

Certificates	Manufacturer	Sectors
DM174-2004, ACS, CE, EAC	Pentair	Domestic



Autotrol Residential Valves Series 278 with Series Logix Controller



- For automatic water softening systems with high resin volume;
- valve body in NSF listed Noryl plastic material;
- valve rubber compounded for cold water, NSF listed material;
- operating flow rate Kv = 5,6;
- backwash flow rate = 75,7 lpm @ Δp 1,72 bar;
- resin volume range = 45 ÷ 225 litres;
- available with series LOGIX controller;
- 742 C electronic chronometric programmable;
- 762 C electronic volumetric programmable;
- with European transformer 12/230V - 50Hz;
- adapters and manifold kit not included, to order separately;
- accessories (e.g. upper screen, etc.) not included

Ref	Description	Fam.	Subfam.	Disp. Stock	
AR104E	VALV. 278/742C 1.3 M 14 SYMBOL 12/230V 50HZ EURO PLUG	010	060	•	
AR105E	VALV. 278/742C 1.3 N 16 (7 GPM) SYMBOL 12/230V 50HZ EURO PLUG	010	060	•	
AR106E	VALV. 278/742C 1.3 Q 18 (9 GPM) SYMBOL 12/230V 50HZ EURO PLUG	010	060	•	
AR114E	VALV. 278/762C 1.3 M 14 SYMBOL 12/230V 50HZ EURO PLUG	010	060	•	
AR115E	VALV. 278/762C 1.3 N 16 (7 GPM) SYMBOL 12/230V 50HZ EURO PLUG	010	060	•	
AR116E	VALV. 278/762C 1.3 Q 18 (9 GPM) SYMBOL 12/230V 50HZ EURO PLUG	010	060	•	
AR117E	VALV. 278/762C 1.3 R 21 (12 GPM) SYMBOL 12/230V 50HZ EURO PLUG	010	060	•	

Characteristics :	
Pressure vessel connection	Threaded 2 ½" 8 UN male
Drain line connection	Threaded ¾" NPT, male
Brine line connection	Threaded ¾" NPT, male
Distributor tube O. D. diameter	1,05" (= 27 mm)
Distributor tube length above pressure vessel	½" ± ½" (= 13 ± 13 mm)
Weight (valve + controller)	2,42 kg
Operating pressure	1,38 ÷ 8,27 bar
Water temperature	2°C ÷ 38°C

Box: WxLxH	Box: Q.ty	Box: Weight	Pallet: WxLxH	Pallet: Q.ty	Pallet: Weight
	4				

Certificates	Manufacturer	Sectors
DM174-2004, CS, CE, EAC	Pentair	Commercial, Industrial



Residential Duplex Systems with Autotrol Residential Valves Series 278 Twin and 764 Controller



- For automatic and residential / commercial water softening systems;
- for twin alternating and twin parallel systems;
- consisting of n.2 valves (one "main" and another one "secondary") with 764 electronic volumetric;
- with European transformer 12/230V - 50Hz;
- valve body in NSF listed Noryl plastic material;
- valve rubber compounded for cold water, NSF listed material;
- operating flow rate for each tank $K_v = 5,6$;
- backwash flow rate for each tank = 75,7 lpm @ Δp 1,72 bar;
- resin volume range for each tank = 45 ÷ 225 litres;
- interconnection kit and accessories (e.g. upper screen, etc.) not included, to order separately

Ref	Description	Fam.	Subfam.	Disp. Stock	
AN083E	VALV. 278/764 TWIN 1.3 M 14 SYMBOL 12/230V 50HZ EURO PLUG	010	053	•	
AN084E	VALV. 278/764 TWIN 1.3 N 16 (7 GPM) SYMBOL 12/230V 50HZ EURO PLUG	010	053	•	
AN085E	VALV. 278/764 TWIN 1.3 Q 18 (9 GPM) SYMBOL 12/230V 50HZ EURO PLUG	010	053	•	
AN086E	VALV. 278/764 TWIN 1.3 R 21 (12 GPM) SYMBOL 12/230V 50HZ EURO PLUG	010	053	•	

Characteristics :	
Pressure vessel connection	Threaded 2 ½" 8 UN male
Drain line connection	Threaded ¾" NPT, male
Brine line connection	Threaded ¾" NPT, male
Distributor tube O. D. diameter	1,05" (= 27 mm)
Distributor tube length above pressure vessel	½" ± ½" (= 13 ± 13 mm)
Weight (valve + controller)	2,42 kg
Operating pressure	1,38 ÷ 8,27 bar
Water temperature	2°C ÷ 38°C

Box: WxLxH	Box: Q.ty	Box: Weight	Pallet: WxLxH	Pallet: Q.ty	Pallet: Weight
40x55x50	2	14,3	120x80x210	32	245

Certificates	Manufacturer	Sectors
DM174-2004, ACS, CE, EAC	Pentair	Commercial, Industrial



Autotrol Residential Valves Series 278 with 764 Controller for Multitank Systems



- For automatic and residential / commercial water softening systems;
- with electronic volumetric 764 controller;
- for parallel systems;
- valve body in NSF listed Noryl plastic material;
- valve rubber compounded for cold water, NSF listed material;
- operating flow rate for each tank $K_v = 5,6$;
- backwash flow rate for each tank = 75,7 lpm @ Δp 1,72 bar;
- resin volume range for each tank = 45 ÷ 225 litres;
- with European transformer 12/230V - 50Hz for each valve;
- adapters and manifold kit not included, to order separately
- accessories (e.g. upper screen, etc.) not included.

Ref	Description	Fam.	Subfam.	Disp. Stock
AN103E	VALV. 278/764L 1.3 M 14 SYMBOL 12/230V 50HZ EURO PLUG	010	053	•

Characteristics :	
Pressure vessel connection	Threaded 2 1/2" 8 UN male
Drain line connection	Threaded 3/4" NPT, male
Brine line connection	Threaded 3/8" NPT, male
Distributor tube O. D. diameter	1,05" (= 27 mm)
Distributor tube length above pressure vessel	1/2" ± 1/2" (= 13 ± 13 mm)
Weight (valve + controller)	2,42 kg
Operating pressure	1,38 ÷ 8,27 bar
Water temperature	2°C ÷ 38°C

Box: WxLxH	Box: Q.ty	Box: Weight	Pallet: WxLxH	Pallet: Q.ty	Pallet: Weight
	2				

Certificates	Manufacturer	Sectors
DM174-2004, ACS, CE, EAC	Pentair	Commercial, Industrial



Autotrol Industrial Softening Magnum CV 1,5" Valves with Series Logix Controller



- For automatic and industrial water softening systems;
- valve body in NSF listed Noryl plastic material with 304 Stainless Steel tank adapter (for heavy applications, like iron removal using KMnO4 or decarbonisation using HCl, the Noryl tank adapter is available on request);
- o-rings in EPDM material;
- operating flow rate Kv = 17;
- backwash flow rate = 337 lpm @ Δp 1,72 bar;
- resin volume range = 100 ÷ 700 litres;
- available with series LOGIX controller;
- 742 electronic chronometric programmable;
- 762 electronic volumetric programmable;
- with European transformer 12/230V - 50/60 Hz;
- available with or without by-pass;
- adapters, manifold kit and accessories (e.g. upper screen, etc.) not included, to order separately;
- brine tank refill system doesn't need a brine valve, but just an air-check;
- PVC 2" side mounting adapter available on demand.

Ref	Description	Fam.	Subfam.	Disp. Stock	
CA201E	MAGNUM 1.5" 298/742 16" (6 GPM) HWB SYMBOL 12/230V 50HZ EURO PLUG	020	080	•	
CA205E	MAGNUM 1.5" 298/742 30" (20 GPM) HWB SYMBOL 12/230V 50HZ EURO PLUG	020	080	•	
CA215E	MAGNUM 1.5" 298/742 30" (20 GPM) NHB SYMBOL 12/230V 50HZ EURO PLUG	020	080	•	
CA216E	MAGNUM 1.5" 298/742 36" (30 GPM) NHB SYMBOL 12/230V 50HZ EURO PLUG	020	080	•	
CA221E	MAGNUM 1.5" 298/762 16" (6 GPM) HWB SYMBOL 12/230V 50HZ EURO PLUG	020	080	•	
CA222E	MAGNUM 1.5" 298/762 18" (8 GPM) HWB SYMBOL 12/230V 50HZ EURO PLUG	020	080	•	
CA236E	MAGNUM 1.5" 298/762 36" (30 GPM) NHB SYMBOL 12/230V 50HZ EURO PLUG	020	080	•	

Characteristics:	
Pressure vessel connection	Threaded 4" - 8 UN male
Drain line connection	1,5" brass - NPT/BSPT male D50 CPVC to glue
Brine line connection	Threaded ¾" NPT male
Distributor tube O. D. diameter	1,5" (= 48,3 mm)
Pilot drain and auxiliary hydraulic out	¼" tube fitting Jaco
Distributor tube length above pressure vessel	16 ± 3 mm
Weight (valve + controller)	12,3 kg
Operating pressure	1,72 ÷ 6,90 bar
Water temperature	1°C ÷ 36°C

Box: WxLxH	Box: Q.ty	Box: Weight	Pallet: WxLxH	Pallet: Q.ty	Pallet: Weight
41x60x50	1	17,0	120x80x210	16	28,5

Certificates	Manufacturer	Sectors
DM174-2004 CE, EAC	Pentair	Commercial, Industrial



Autotrol Industrial Magnum CV 1,5" Valves for Filtration with Series Logix Controller



- For automatic and industrial water filtration systems;
- valve body in NSF listed Noryl plastic material with 304 Stainless Steel tank adapter (for heavy applications, like sea water, the Noryl tank adapter is available on request);
- o-rings in EPDM material;
- operating flow rate $K_v = 17$;
- backwash flow rate = 337 lpm @ Δp 1,72 bar;
- available with series LOGIX controller
- 742 F electronic chronometric programmable;
- 762 F electronic volumetric programmable;
- with European transformer 12/230V - 50/60 Hz;
- available with or without by-pass;
- adapters, manifold kit and accessories (e.g. upper screen, etc.) not included, to order separately
- PVC 2" side mounting adapter available on demand.

Ref	Description	Fam.	Subfam.	Disp. Stock	
CA240E	MAGNUM 1.5" 293/742F (5 GPM) UWB SYMBOL 12/230V 50HZ EURO PLUG	020	080	•	
CA241E	MAGNUM 1.5" 293/742F (5 GPM) NUB SYMBOL 12/230V 50HZ EURO PLUG	020	080	•	

Characteristics:	
Pressure vessel connection	Threaded 4" - 8 UN male
Drain line connection	1,5" brass - NPT/BSPT male D50 CPVC to glue
Brine line connection	Threaded 3/4" NPT male
Distributor tube O. D. diameter	1,5" (= 48,3 mm)
Pilot drain and auxiliary hydraulic out	1/4" tube fitting Jaco
Distributor tube length above pressure vessel	16 ± 3 mm
Weight (valve + controller)	12,3 kg
Operating pressure	1,72 ÷ 6,90 bar
Water temperature	1°C ÷ 36°C

Box: WxLxH	Box: Q.ty	Box: Weight	Pallet: WxLxH	Pallet: Q.ty	Pallet: Weight

Certificates	Manufacturer	Sectors
DM174-2004 CE, EAC	Pentair	Commercial, Industrial



Autotrol Industrial Softening Magnum IT 2" Valves with Series Logix Controller



- for automatic and industrial water softening systems;
- valve body in NSF listed Noryl plastic material with 304 Stainless Steel tank adapter (for heavy applications, like iron removal using KMnO4 or decarbonisation using HCl, the Noryl tank adapter is available on request);
- o-rings in EPDM material;
- operating flow rate Kv = 17;
- backwash flow rate = 337 lpm @ Δp 1,72 bar;
- resin volume range = 100 ÷ 700 litres;
- available with series LOGIX controller:
 - 742 electronic chronometric programmable;
 - 762 electronic volumetric programmable;
- with European transformer 12/230V – 50/60 Hz;
- available with or without by-pass;
- adapters, manifold kit and accessories (e.g. upper screen, etc.) not included, to order separately;
- brine tank refill system doesn't need a brine valve, but just an air-check;
- PVC 2" side mounting adapter available on demand (REF. CC084).

Ref	Description	Fam.	Subfam.	Disp. Stock	
CB202E	MAGNUM IT 2" 298/742 18" (8 GPM) HWB SYMBOL 12/230V 50HZ EURO PLUG	020	081	•	
CB221E	MAGNUM IT 2" 298/762 16" (6 GPM) HWB SYMBOL 12/230V 50HZ EURO PLUG	020	081	•	
CB222E	MAGNUM IT 2" 298/762 18" (8 GPM) HWB SYMBOL 12/230V 50HZ EURO PLUG	020	081	•	
CB223E	MAGNUM IT 2" 298/762 21" (10 GPM) HWB SYMBOL 12/230V 50HZ EURO PLUG	020	081	•	
CB224E	MAGNUM IT 2" 298/762 24" (14 GPM) HWB SYMBOL 12/230V 50HZ EURO PLUG	020	081	•	
CB226E	MAGNUM IT 2" 298/762 36" (30 GPM) HWB SYMBOL 12/230V 50HZ EURO PLUG	020	081	•	
CB234E	MAGNUM IT 2" 298/762 24" (14 GPM) NHB SYMBOL 12/230V 50HZ EURO PLUG	020	081	•	
CB236E	MAGNUM IT 2" 298/762 36" (30 GPM) NHB SYMBOL 12/230V 50HZ EURO PLUG	020	081	•	

Characteristics:	
Pressure vessel connection	Threaded 4" - 8 UN male
Drain line connection	1,5" brass - NPT/BSPT male D50 to glue
Brine line connection	Threaded ¾" NPT male
Diametro esterno della tubazione interna alla bombola	1,5" (= 48,3 mm)
Segnale ausiliario e di scarico del comando idraulico	Jaco ¾" tubo
Length del tubo diffusore al di sopra della parte superiore della bombola	16 ± 3 mm
Weight (valve + controller)	12,3 kg
Operating pressure	1,72 ÷ 6,90 bar
Water temperature	1°C ÷ 36°C

Box: WxLxH	Box: Q.ty	Box: Weight	Pallet: WxLxH	Pallet: Q.ty	Pallet: Weight

Certificates	Manufacturer	Sectors
DM174-2004 CE, EAC	Pentair	Commercial, Industrial



Autotrol Industrial Magnum IT 2" Valves for Filtration with Series Logix Controller

- For automatic and industrial water filtration systems;
- valve body in NSF listed Noryl plastic material with 304 Stainless Steel tank adapter (for heavy applications, like sea water, the Noryl tank adapter is available on request);
- o-rings in EPDM material;
- operating flow rate Kv = 17;
- backwash flow rate = 337 lpm @ Δp 1,72 bar;
- available with series LOGIX controller;
- 742 F electronic chronometric programmable;
- 762 F electronic volumetric programmable;
- with European transformer 12/230V - 50/60 Hz;
- available with or without by-pass;
- adapters, manifold kit and accessories (e.g. upper screen, etc.) not included, to order separately;
- PVC 2" side mounting adapter available on demand (REF. CC084).



Ref	Description	Fam.	Subfam.	Disp. Stock	
CB240E	MAGNUM IT 2" 293/742F (5 GPM) UWB SYMBOL 12/230V 50HZ EURO PLUG	020	081	•	
CB241E	MAGNUM IT 2" 293/742F (5 GPM) NUB SYMBOL 12/230V 50HZ EURO PLUG	020	081	•	
CB245E	MAGNUM IT 2" 293/762F (5 GPM)NUB SYMBOL 12/230V 50HZ EURO PLUG	020	081	•	

Characteristics :	
Pressure vessel connection	Threaded 4" - 8 UN male
Drain line connection	1,5" brass - NPT/BSPT male D50 CPVC to glue
Brine line connection	Threaded 3/4" NPT male
Distributor tube O. D. diameter	1,5" (= 48,3 mm)
Pilot drain and auxiliary hydraulic out	1/4" tube fitting Jaco
Distributor tube length above pressure vessel	16 ± 3 mm
Weight (valve + controller)	12,3 kg
Operating pressure	1,72 ÷ 6,90 bar
Water temperature	1°C ÷ 36°C

Box: WxLxH	Box: Q.ty	Box: Weight	Pallet: WxLxH	Pallet: Q.ty	Pallet: Weight

Certificates	Manufacturer	Sectors
DM174-2004 CE, EAC	Pentair	Commercial, Industrial



Industrial Duplex Systems with Autotrol Softening Magnum IT 2" Valves and 764 Controller



- For automatic and industrial water softening systems;
- for twin alternating and twin parallel systems;
- consisting of n.2 valves (one "main" and another one "secondary") with 764 electronic volumetric;
- valve body in NSF listed Noryl plastic material with 304 Stainless Steel tank adapter (for heavy applications, like iron removal using KMnO4 or decarbonisation using HCl, the Noryl tank adapter is available on request);
- o-rings in EPDM material;
- operating flow rate for each tank $K_v = 17$;
- backwash flow rate for each tank = 337 lpm @ Δp 1,72 bar;
- resin volume range for each tank = 100 ÷ 700 litres;
- with European transformer 12/230V - 50/60 Hz;
- available with or without by-pass;
- adapters, manifold kit and accessories (e.g. upper screen, etc.) not included, to order separately;
- brine tank refill system doesn't need a brine valve, but just an air-check;
- PVC 2" side mounting adapter available on demand (REF. CC084);
- interconnection not included.

Ref	Description	Fam.	Subfam.	Disp. Stock	
CB250E	MAGNUM 298 2" MIT-TWS-764-14" (5 GPM) NHB SYMBOL 12/230V 50HZ EURO PLUG	020	081	•	
CB251E	MAGNUM 298 2" MIT-TWS-764-16" (6 GPM) NHB SYMBOL 12/230V 50HZ EURO PLUG	020	081	•	
CB252E	MAGNUM 298 2" MIT-TWS-764-18" (8 GPM) NHB SYMBOL 12/230V 50HZ EURO PLUG	020	081	•	
CB253E	MAGNUM 298 2" MIT-TWS-764-21" (10 GPM) NHB SYMBOL 12/230V 50HZ EURO PLUG	020	081	•	
CB254E	MAGNUM 298 2" MIT-TWS-764-24" (14 GPM) NHB SYMBOL 12/230V 50HZ EURO PLUG	020	081	•	
CB255E	MAGNUM 298 2" MIT-TWS-764-30" (20 GPM) NHB SYMBOL 12/230V 50HZ EURO PLUG	020	081	•	
CB256E	MAGNUM 298 2" MIT-TWS-764-36" (30 GPM) NHB SYMBOL 12/230V 50HZ EURO PLUG	020	081	•	

Characteristics:	
Pressure vessel connection	Threaded 4" - 8 UN male
Drain line connection	1,5" brass - NPT/BSPT male D50 CPVC to glue
Brine line connection	Threaded ¾" NPT male
Distributor tube O. D. diameter	1,5" (= 48,3 mm)
Pilot drain and auxiliary hydraulic out	¼" tube fitting Jaco
Distributor tube length above pressure vessel	16 ± 3 mm
Weight (valve + controller)	12,3 kg
Operating pressure	1,72 ÷ 6,90 bar
Water temperature	1°C ÷ 36°C

Box: WxLxH	Box: Q.ty	Box: Weight	Pallet: WxLxH	Pallet: Q.ty	Pallet: Weight
41x60x50	1	34,0	120x80x210	8	28,5

Certificates	Manufacturer	Sectors
DM174-2004 CE, EAC	Pentair	Commercial, Industrial



Autotrol Industrial Softening Magnum IT 2" Valves with 764 Controller for Multitank Systems



- For automatic and industrial water softening systems;
- with electronic volumetric 764 controller;
- for parallel systems;
- valve body in NSF listed Noryl plastic material with 304 Stainless Steel tank adapter (for heavy applications, like iron removal using KMnO4 or decarbonisation using HCl, the Noryl tank adapter is available on request);
- o-rings in EPDM material;
- operating flow rate for each tank Kv = 17;
- backwash flow rate for each tank = 337 lpm @ Δp 1,72 bar;
- resin volume range for each tank = 100 ÷ 700 litres;
- with European transformer 12/230V - 50/60 Hz for each valve;
- available with or without by-pass;
- adapters, manifold kit and accessories (e.g. upper screen, etc.) not included, to order separately;
- brine tank refill system doesn't need a brine valve, but just an air-check;
- PVC 2" side mounting adapter available on demand;
- interconnection not included.

Ref	Description	Fam.	Subfam.	Disp. Stock	
CB266E	MAGNUM 298 2" MIT-SN-764-36" (30 GPM) NHB SYMBOL 12/230V 50HZ EURO PLUG	020	081	•	

Characteristics:	
Pressure vessel connection	Threaded 4" - 8 UN male
Drain line connection	1,5" brass - NPT/BSPT male D50 CPVC to glue
Brine line connection	Threaded 3/4" NPT male
Distributor tube O. D. diameter	1,5" (= 48,3 mm)
Pilot drain and auxiliary hydraulic out	1/4" tube fitting Jaco
Distributor tube length above pressure vessel	16 ± 3 mm
Weight (valve + controller)	12,3 kg
Operating pressure	1,72 ÷ 6,90 bar
Water temperature	1°C ÷ 36°C

Box: WxLxH	Box: Q.ty	Box: Weight	Pallet: WxLxH	Pallet: Q.ty	Pallet: Weight
	1				

Certificates	Manufacturer	Sectors
DM174-2004 CE, EAC	Pentair	Commercial, Industrial



Series 400 Controllers for Autotrol Valves Series 255 - 263 - 268

Controllers for softeners characteristics

Characteristic	440i	460tc	460i
Controller type	Electromechanical	Electronic	Electronic
Regeneration mode	Chronometric: 7 or 6 day	Chronometric	Volumetric
Regeneration frequency	Daily	Daily	Daily
Regeneration cycle length	59' or 118'	59' or 118'	59' or 118'
Cycle length	Fixed not modifiable	Fixed not modifiable	Fixed not modifiable
Salt setting	Pounds of salt	Pounds of salt	Pounds of salt

Controllers for filtration characteristics

Characteristic	440i	460tc
Controller type	Electromechanical	Electronic
Backwash mode	Chronometric: 7 or 6 gg	Chronometric
Backwash frequency	Daily	Daily
Filter cycle length	Fixed not modifiable	Fixed not modifiable

Logix Controllers for Autotrol Valves Series 255 - 263 - 268 - 273 - 278 - 293 - 298

Controllers for softeners characteristics

Characteristics	740	760	742 C	762 C	764
Controller type	Electronic	Electronic	Electronic	Electronic	Electronic
Regeneration mode	Chronometric	Volumetric	Chronometric	Volumetric	Volumetric
Regeneration frequency	Fixed day or 0,5 ÷ 99 days calendar override	0,5 ÷ 99 days calendar override	Fixed day or 0,5 ÷ 99 days calendar override	0,5 ÷ 99 days calendar override	0,5 ÷ 99 days calendar override
Adjustable regeneration time	Yes	Yes	Yes	Yes	Yes
Cycle length	Computer calculated	Computer calculated	Fully programmable	Fully programmable	Fully programmable
Salt setting	3 options	3 options	Fully adjustable	Fully adjustable	Fully adjustable

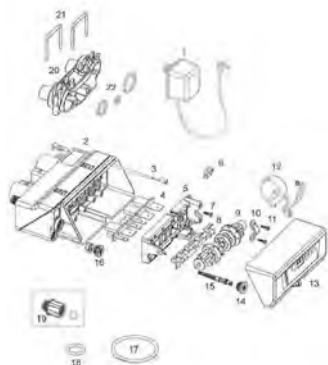
Controllers for filtration characteristics

Characteristics	740 F	760 F	742 F	762 F	764 F
Controller type	Electronic	Electronic	Electronic	Electronic	Electronic
Backwash mode	Chronometric	Volumetric	Chronometric	Volumetric	Volumetric
Backwash frequency	Fixed day or 0,5 ÷ 99 days calendar override	0,5 ÷ 99 days calendar override	Fixed day or 0,5 ÷ 99 days calendar override	0,5 ÷ 99 days calendar override	0,5 ÷ 99 days calendar override
Adjustable cycle times	Programmable back wash time	Programmable back wash time	Fully programmable	Fully programmable	Fully programmable
Filter cycle length	Computer calculated	Computer calculated	Fully adjustable	Fully adjustable	Fully adjustable





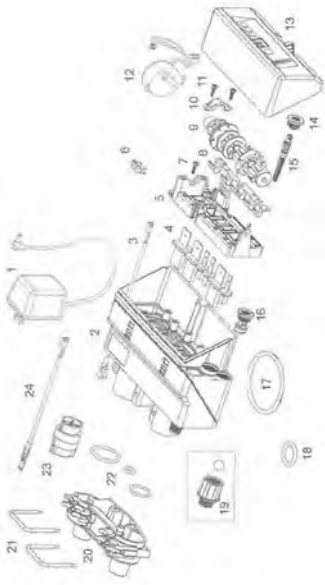
368/604 VALVE PARTS LIST



Numero	Ref	P.N.	Description	Fam.	Subfam.	Disp. Stock	
1	AW500	1000814	EUROPEAN TRANSFORMER 230/12V	010	064	•	
1	AW501	1000813	BRITISH TRANSFORMER	010	064	•	
3	AW260	3022576	OPTIC SENSOR POWER CABLE	010	064	•	
4	AW250	3007947	VALVE DISCS KIT FOR 366 367 368	010	064	•	
6	AW129	1235373	OPTIC SENSOR P/N 1235373	010	064	•	
7	AW174	3030450	TOP PLATE SCREW NO 8x9/16"	010	064	•	
8	AW252	3022017	SPRING ONE PIECE 366 367 368	010	064	•	
9	AW253	3022014	CAMSHAFT FOR 366 367 368	010	064	•	
10	CD100	1000589	PILLOW BLOCK CAP	020	083	•	
11	AW174	3030450	TOP PLATE SCREW NO 8x9/16"	010	064	•	
12	AW254	3026537	MOTOR CABLE ASSEMBLY 366 367 368	010	064	•	
13	AW280	4001737	TIMER 604 12V 50-60HZ	010	064	•	
14	AW107	1000269	INJECTOR CAP/BACKWASH OPEN 00	010	064	•	
15	AW266	3025326	SCREEN ASSEMBLY INJECTOR E YELLOW WITH O-RING + FILTER 366 367 368	010	064	•	
15	AW267	3025327	SCREEN ASSEMBLY INJECTOR F PEACH WITH O-RING + FILTER 366 367 368	010	064	•	
15	AW268	3025328	SCREEN ASSEMBLY INJECTOR G TAN WITH O-RING + FILTER 366 367 368	010	064	•	
15	AW269	3025329	SCREEN ASSEMBLY INJECTOR H LIGHT PURPLE WITH O-RING + FILTER 366 367 368	010	064	•	
16	AW115	1000221	BRINE REFILL CONTROL ASSEMBLY .14GPM	010	064	•	
17	AW172	3029969	O-RING ADAPTER FOR PRESSURE VESSEL 2.1/2"	010	064	•	
18	AW169	3030918	O-RING 1.05"	010	064	•	
19	AV146	3031526	EXTERNAL BACKWASH CONTROL PEANUT 0.9 GPM # 06	010	062	•	
19	AV147	3031527	EXTERNAL BACKWASH CONTROL PEANUT 1.20 GPM # 07	010	062	•	
19	AV148	3031528	EXTERNAL BACKWASH CONTROL PEANUT 1.60 GPM # 08	010	062	•	
19	AV149	3031529	EXTERNAL BACKWASH CONTROL PEANUT 2.00 GPM # 09	010	062	•	
20	AW255	3027832	MANIFOLD 3/4" BSPT INLET/OUTLET	010	064	•	
22	AW257	3031825	O-RING KIT MANIFOLD 367	010	064	•	
Non Vis.	AV185	3022042	MIXING VALVE FOR 366-368 VALVE	010	062	•	



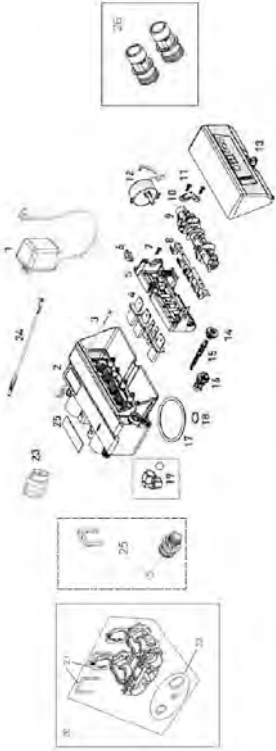
368/606 VALVE PARTS LIST



Numero	Ref	P.N.	Description	Fam.	Subfam.	Dsisp. Stock	
1	AW500	1000814	EUROPEAN TRANSFORMER 230/12V	010	064	•	
1	AW501	1000813	BRITISH TRANSFORMER	010	064	•	
3	AW260	3022576	OPTIC SENSOR POWER CABLE	010	064	•	
4	AW250	3007947	VALVE DISCS KIT FOR 366 367 368	010	064	•	
6	AW129	1235373	OPTIC SENSOR P/N 1235373	010	064	•	
7	AW174	3030450	TOP PLATE SCREW NO 8x9/16"	010	064	•	
8	AW252	3022017	SPRING ONE PIECE 366 367 368	010	064	•	
9	AW253	3022014	CAMSHAFT FOR 366 367 368	010	064	•	
10	CD100	1000589	PILLOW BLOCK CAP	020	083	•	
11	AW174	3030450	TOP PLATE SCREW NO 8x9/16"	010	064	•	
12	AW254	3026537	MOTOR CABLE ASSEMBLY 366 367 368	010	064	•	
13	AW281	3031824	TIMER 606 12V 50-60HZ	010	064	•	
14	AW107	1000269	INJECTOR CAP/BACKWASH OPEN 00	010	064	•	
15	AW266	3025326	SCREEN ASSEMBLY INJECTOR E YELLOW WITH O-RING + FILTER 366 367 368	010	064	•	
15	AW267	3025327	SCREEN ASSEMBLY INJECTOR F PEACH WITH O-RING + FILTER 366 367 368	010	064	•	
15	AW268	3025328	SCREEN ASSEMBLY INJECTOR G TAN WITH O-RING + FILTER 366 367 368	010	064	•	
15	AW269	3025329	SCREEN ASSEMBLY INJECTOR H LIGHT PURPLE WITH O-RING + FILTER 366 367 368	010	064	•	
16	AW115	1000221	BRINE REFILL CONTROL ASSEMBLY .14GPM	010	064	•	
17	AW172	3029969	O-RING ADAPTER FOR PRESSURE VESSEL 2.1/2"	010	064	•	
18	AW169	3030918	O-RING 1.05"	010	064	•	
19	AV146	3031526	EXTERNAL BACKWASH CONTROL PEANUT 0.9 GPM # 06	010	062	•	
19	AV147	3031527	EXTERNAL BACKWASH CONTROL PEANUT 1.20 GPM # 07	010	062	•	
19	AV148	3031528	EXTERNAL BACKWASH CONTROL PEANUT 1.60 GPM # 08	010	062	•	
19	AV149	3031529	EXTERNAL BACKWASH CONTROL PEANUT 2.00 GPM # 09	010	062	•	
20	AW255	3027832	MANIFOLD 3/4" BSPT INLET/OUTLET	010	064	•	
21	AW256	3027831	CLIP ATTACCO VALV. 367	010	064	•	
22	AW257	3031825	O-RING KIT MANIFOLD 367	010	064	•	
23	AW258	3027839	METER ASSEMBLY 367	010	064	•	
24	AW259	3027837	TURBINE CABLE 367	010	064	•	
Non Vis.	AV185	3022042	MIXING VALVE FOR 366-368 VALVE	010	062	•	



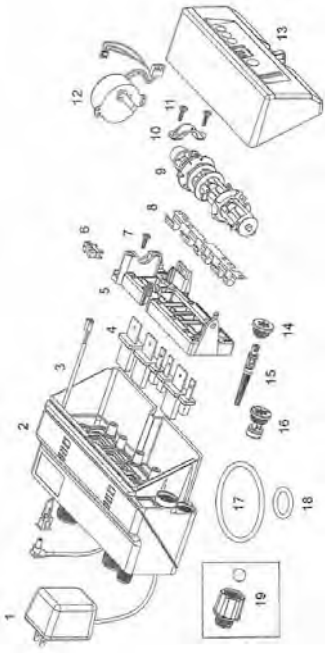
368/606B VALVE EXPLODED VIEW



Numero	Ref	P.N.	Description	Fam.	Subfam.	Disp. Stock	
1	AW500	1000814	EUROPEAN TRANSFORMER 230/12V	010	064	•	
1	AW501	1000813	BRITISH TRANSFORMER	010	064	•	
3	AW260	3022576	OPTIC SENSOR POWER CABLE	010	064	•	
4	AW250	3007947	VALVE DISCS KIT FOR 366 367 368	010	064	•	
6	AW129	1235373	OPTIC SENSOR P/N 1235373	010	064	•	
7	AW174	3030450	TOP PLATE SCREW NO 8x9/16"	010	064	•	
8	AW252	3022017	SPRING ONE PIECE 366 367 368	010	064	•	
9	AW253	3022014	CAMSHAFT FOR 366 367 368	010	064	•	
10	CD100	1000589	PILLOW BLOCK CAP	020	083	•	
11	AW174	3030450	TOP PLATE SCREW NO 8x9/16"	010	064	•	
12	AW254	3026537	MOTOR CABLE ASSEMBLY 366 367 368	010	064	•	
13	AW281	4001738	TIMER 606 12V 50-60HZ	010	064	•	
14	AW107	1000269	INJECTOR CAP/BACKWASH OPEN 00	010	064	•	
15	AW266	3025326	SCREEN ASSEMBLY INJECTOR E YELLOW WITH O-RING + FILTER 366 367 368	010	064	•	
15	AW267	3025327	SCREEN ASSEMBLY INJECTOR F PEACH WITH O-RING + FILTER 366 367 368	010	064	•	
15	AW268	3025328	SCREEN ASSEMBLY INJECTOR G TAN WITH O-RING + FILTER 366 367 368	010	064	•	
15	AW269	3025329	SCREEN ASSEMBLY INJECTOR H LIGHT PURPLE WITH O-RING + FILTER 366 367 368	010	064	•	
16	AW115	1000221	BRINE REFILL CONTROL ASSEMBLY .14GPM	010	064	•	
17	AW172	3029969	O-RING ADAPTER FOR PRESSURE VESSEL 2.1/2"	010	064	•	
18	AW169	3030918	O-RING 1.05"	010	064	•	
19	AV174		ELBOW DRAIN FITTING 1/2" F	010	062	•	
20	AW290	4000886	BYPASS VALVE 368/606	010	064	•	
22	AW257	3031825	O-RING KIT MANIFOLD 367	010	064	•	
23	AW258	3027839	METER ASSEMBLY 367	010	064	•	
24	AW259	3027837	TURBINE CABLE 367	010	064	•	
25	AV146B	4001297	EXTERNAL BACKWASH CONTROL 368 BYPASS 0.90 GPM # 06	010	062	•	
25	AV147B	4001298	EXTERNAL BACKWASH CONTROL 368 BYPASS 1.20 GPM # 07	010	062	•	
25	AV148B	4001299	EXTERNAL BACKWASH CONTROL 368 BYPASS 1.60 GPM # 08	010	062	•	
25	AV149B	4001300	EXTERNAL BACKWASH CONTROL 368 BYPASS 2.0 GPM # 09	010	062	•	
26	AW275	4001606	KIT 3/4" BSP CONNECTORS	010	064	•	
Non Vis.	AV185	3022042	MIXING VALVE FOR 366-368 VALVE	010	062	•	



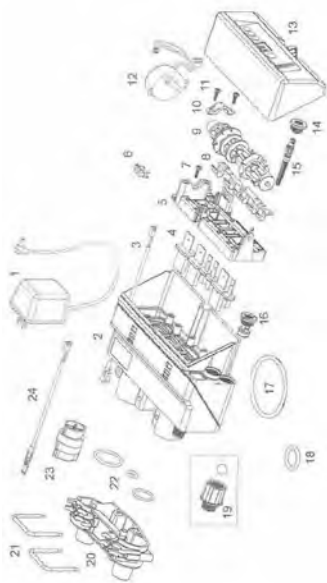
366/604 Autotrol Valve



Numero	Ref	P.N.	Description	Fam.	Sotto Fam.	Disp. Stock	
1	AW500	1000814	EUROPEAN TRANSFORMER 230/12V	010	064	•	
1	AW501	1000813	BRITISH TRANSFORMER	010	064	•	
3	AW260	3022576	OPTIC SENSOR POWER CABLE	010	064	•	
4	AW250	3007947	VALVE DISCS KIT FOR 366 367 368	010	064	•	
6	AW129	1235373	OPTIC SENSOR P/N 1235373	010	064	•	
7	AW174	3030450	TOP PLATE SCREW NO 8x9/16"	010	064	•	
8	AW252	3022017	SPRING ONE PIECE 366 367 368	010	064	•	
9	AW253	3022014	CAMSHAFT FOR 366 367 368	010	064	•	
10	CD100	1000589	PILLOW BLOCK CAP	020	083	•	
11	AW174	3030450	TOP PLATE SCREW NO 8x9/16"	010	064	•	
12	AW254	3026537	MOTOR CABLE ASSEMBLY 366 367 368	010	064	•	
13	AW280	4001737	TIMER 604 12V 50-60HZ	010	064	•	
14	AW107	1000269	INJECTOR CAP/BACKWASH OPEN 00	010	064	•	
15	AW266	3025326	SCREEN ASSEMBLY INJECTOR E YELLOW WITH O-RING + FILTER 366 367 368	010	064	•	
15	AW267	3025327	SCREEN ASSEMBLY INJECTOR F PEACH WITH O-RING + FILTER 366 367 368	010	064	•	
15	AW268	3025328	SCREEN ASSEMBLY INJECTOR G TAN WITH O-RING + FILTER 366 367 368	010	064	•	
15	AW269	3025329	SCREEN ASSEMBLY INJECTOR H LIGHT PURPLE WITH O-RING + FILTER 366 367 368	010	064	•	
16	AW115	1000221	BRINE REFILL CONTROL ASSEMBLY .14GPM	010	064	•	
17	AW172	3029969	O-RING ADAPTER FOR PRESSURE VESSEL 2.1/2"	010	064	•	
18	AW169	3030918	O-RING 1.05"	010	064	•	
19	AV146	3031526	EXTERNAL BACKWASH CONTROL PEANUT 0.9 GPM # 06	010	062	•	
19	AV147	3031527	EXTERNAL BACKWASH CONTROL PEANUT 1.20 GPM # 07	010	062	•	
19	AV148	3031528	EXTERNAL BACKWASH CONTROL PEANUT 1.60 GPM # 08	010	062	•	
19	AV149	3031529	EXTERNAL BACKWASH CONTROL PEANUT 2.00 GPM # 09	010	062	•	
N.Visual.	AV185	3022042	MIXING VALVE FOR 366-368 VALVE	010	062	•	



367/606 VALVE PARTS LIST



Numero	Ref	P.N.	Description	Fam.	Sotto Fam.	Disp. Stock	
1	AW500	1000814	EUROPEAN TRANSFORMER 230/12V	010	064	•	
1	AW501	1000813	BRITISH TRANSFORMER	010	064	•	
3	AW260	3022576	OPTIC SENSOR POWER CABLE	010	064	•	
4	AW250	3007947	VALVE DISCS KIT FOR 366 367 368	010	064	•	
6	AW129	1235373	OPTIC SENSOR P/N 1235373	010	064	•	
7	AW174	3030450	TOP PLATE SCREW NO 8x9/16"	010	064	•	
8	AW252	3022017	SPRING ONE PIECE 366 367 368	010	064	•	
9	AW253	3022014	CAMSHAFT FOR 366 367 368	010	064	•	
10	CD100	1000589	PILLOW BLOCK CAP	020	083	•	
11	AW174	3030450	TOP PLATE SCREW NO 8x9/16"	010	064	•	
12	AW254	3026537	MOTOR CABLE ASSEMBLY 366 367 368	010	064	•	
13	AW281	4001737	TIMER 606 12V 50-60HZ	010	064	•	
14	AW107	1000269	INJECTOR CAP/BACKWASH OPEN 00	010	064	•	
15	AW266	3025326	SCREEN ASSEMBLY INJECTOR E YELLOW WITH O-RING + FILTER 366 367 368	010	064	•	
15	AW267	3025327	SCREEN ASSEMBLY INJECTOR F PEACH WITH O-RING + FILTER 366 367 368	010	064	•	
15	AW268	3025328	SCREEN ASSEMBLY INJECTOR G TAN WITH O-RING + FILTER 366 367 368	010	064	•	
15	AW269	3025329	SCREEN ASSEMBLY INJECTOR H LIGHT PURPLE WITH O-RING + FILTER 366 367 368	010	064	•	
16	AW115	1000221	BRINE REFILL CONTROL ASSEMBLY .14GPM	010	064	•	
17	AW172	3029969	O-RING ADAPTER FOR PRESSURE VESSEL 2.1/2"	010	064	•	
18	AW169	3030918	O-RING 1.05"	010	064	•	
19	AV146	3031526	EXTERNAL BACKWASH CONTROL PEANUT 0.9 GPM # 06	010	062	•	
19	AV147	3031527	EXTERNAL BACKWASH CONTROL PEANUT 1.20 GPM # 07	010	062	•	
19	AV148	3031528	EXTERNAL BACKWASH CONTROL PEANUT 1.60 GPM # 08	010	062	•	
19	AV149	3031529	EXTERNAL BACKWASH CONTROL PEANUT 2.00 GPM # 09	010	062	•	
20	AW255	3027832	MANIFOLD 3/4" BSPT INLET/OUTLET	010	064	•	
21	AW256	3027831	CLIP ATTACCO VALV. 367	010	064	•	
22	AW257	3031825	O-RING KIT MANIFOLD 367	010	064	•	
23	AW258	3027839	METER ASSEMBLY 367	010	064	•	
24	AW259	3027837	TURBINE CABLE 367	010	064	•	
N.Visual.	AV185	3022042	MIXING VALVE FOR 366-368 VALVE	010	062	•	



255-440i/460i/460TC VALVE EXPLODED VIEW & PARTS LIST



Numero	Ref	P.N.	Description	Fam.	Sotto Fam.	Disp. Stock	
	AW164A		255/400 VALVE ASSEMBLY NEW STYLE PLATE W/O FLOW CONTROLS	010	064	•	
1+17+19+23+24	AW164A	1000232	255/400 VALVE ASSEMBLY NEW STYLE PLATE W/O FLOW CONTROLS	010	064	•	
2	AW150	1031950	STANDARD CAMSHAFT ONE PIECE	010	064		
2	AW152	1033025	CANSHAFT XS-LR EXTRA SALT	010	064		
2	AW153	1033026	CAMSHAFT LONG RINSE	010	064		
2	AW154	1032969	CAMSHAFT WATER SAVER	010	064		
3	AW146A	1030501	CAMSHAFT BEARING FOR COVER Lid NEW STYLE	010	064		
4	AW185	1031391	TIMER LOCKING PIN	010	064	•	
5	AW125	1000226	SCREEN/CAP ASSEMBLY W/O-RING	010	064	•	
6	AW100	1000209	BACKWASH CONTROL 07 WITH O-RING	010	064	•	
6	AW101	1000210	BACKWASH CONTROL 08 WITH O-RING	010	064	•	
6	AW102	1000211	BACKWASH CONTROL 09 WITH O-RING	010	064	•	
6	AW103	1000212	BACKWASH CONTROL 10 WITH O-RING	010	064	•	
6	AW104	1000213	BACKWASH CONTROL 12 WITH O-RING	010	064	•	
6	AW105	1000214	BACKWASH CONTROL 13 WITH O-RING	010	064	•	
6	AW106	1000215	BACKWASH CONTROL 14 WITH O-RING	010	064	•	
7	AW139	1030502	FLOW CONTROL BALL	010	064	•	
8	AW110	1034261	BRINE REFILL CONTROL 10 Lbs	010	064	•	
8	AW111	1034263	BRINE REFILL CONTROL 19 Lbs	010	064	•	
9	AW130	1032970	INJECTOR A WHITE WITH O-RING	010	064	•	
9	AW131	1032971	INJECTOR B BLUE WITH O-RING	010	064	•	
9	AW132	1032972	INJECTOR C RED WITH O-RING	010	064	•	
10	AW107	1000269	INJECTOR CAP/BACKWASH OPEN 00	010	064	•	



255-440i/460i/460TC VALVE EXPLODED VIEW & PARTS LIST

Numero	Ref	P.N.	Description	Fam.	Sotto Fam.	Disp. Stock	
11	AW170	1033784	ADAPTER PRESSURE VESSEL 2.1/2" FOR TUBE 1.05"	010	064	•	
12	AW190	1032417	KIT AIR-CHECK 1/4" MALE	010	064	•	
13	AW186	3029969	NUT 3/4" - 1"	010	064	•	
14	AW169	3030918	O-RING 1.05"	010	064	•	
15	AW173	1031405	LOCKING BAR	010	064	•	
16	AW174	3030450	TOP PLATE SCREW NO 8x9/16"	010	064	•	
17	AW163	1235341	SPRING ONE PIECE 255 VALVE P/N 1235341	010	064	•	
N.Visual.	AW181	1001580	VALVE DISC SPRING	010	064	•	
18	AW141A	3019870	COVER FOR 255-263-268 SERIE 400 (I-Lid) NEW STYLE	010	064		
19	AW146A	3019873	CAMSHAFT BEARING FOR COVER Lid NEW STYLE	010	064		
N.Visual.	AW191	1033066	NEW TO OLD AIR CHECK ADAPTER	010	064	•	
20	AW195	1001404	O-RING SET FOR 255 VALVE TOP/BOTTOM COUPLING	010	064	•	
21	AW196	1040459	O-RING SET*	010	064	•	
N.Visual.	AW197		O-RING SET W/SCREWS AND NUTS*	010	064	•	
22	AW171	1001986	13/16 RUBBER INSERT	010	064	•	
23	AW160A	3019871	NEW STYLE SERIES 400 TOP PLATE FOR VALVE 255	010	064	•	
24	AW180	1000250	VALVE DISCS KIT FOR 255	010	064	•	
25	AW140	1030528	AIR-CHECK BALL	010	064	•	
N.Visual.	AV037	1239760	BLENDING KIT SCREW FOR 700 SERIES AND 255/400 NEW STYLE	010	062	•	
N.Visual.	AV059	1239753	TOP PLATE SWITCH KIT 253-5/263-8 0,1A	010	062	•	
N.Visual.	AV069	1239754	TOP PLATE SWITCH KIT 253-5/263-8 5A	010	062	•	
17+18+19+23	AW211	3034598	UPGRADE KIT 255 SERIE 400 NEW STYLE	010	064		



VALVE LOGIX 255 PARTS LIST



Numero	Ref	P.N.	Description	Fam.	Subfam.	Disp. Stock	
1+5+6	AW168	1244650	255/700 VALVE ASSEMBLY W/O FLOW CONTROLS	010	064	•	
2	AW170	1033784	ADAPTER PRESSURE VESSEL 2.1/2" FOR TUBE 1.05"	010	064	•	
3	AW172	3029969	O-RING ADAPTER FOR PRESSURE VESSEL 2.1/2"	010	064	•	
4	AW169	3030918	O-RING 1.05"	010	064	•	
5	AW162	1235340	TOP PLATE 253/255 LOGIX P/N 1235341	010	064	•	
6	AW163	1235341	SPRING ONE PIECE 255 VALVE P/N 1235341	010	064	•	
7	AW148	1236246	253-5/263-8 LOGIX STANDARD COVER P/N 1236246	010	064		
N.Visual.	AW145	1242234	255 LOGIX SLIM COVER	010	064	•	
8	AW195	1001404	O-RING SET FOR 255 VALVE TOP/BOTTOM COUPLING	010	064	•	
9	AW196	1040459	O-RING SET*	010	064	•	
10	AW171	1001986	13/16 RUBBER INSERT	010	064	•	
N.Visual.	AW180	1000250	VALVE DISCS KIT FOR 255	010	064	•	
N.Visual.	AV037	1239760	BLENDING KIT SCREW FOR 700 SERIES AND 255/400 NEW STYLE	010	062	•	
11	AW173	1031405	LOCKING BAR	010	064	•	
12	AW149	1235353	CAMSHAFT 253/255 LOGIX P/N 1235353	010	064	•	
13	AW174	3030450	TOP PLATE SCREW NO 8x9/16"	010	064	•	
14	AW125	1000226	SCREEN/CAP ASSEMBLY W/O-RING	010	064	•	
15	AW133	1035730	INJECTOR E YELLOW WITH O-RING	010	064	•	
15	AW134	1035731	INJECTOR F PEACH WITH O-RING	010	064	•	
15	AW135	1035732	INJECTOR G TAN WITH O-RING	010	064	•	
15	AW136	1035733	INJECTOR H LIGHT PURPLE WITH O-RING	010	064	•	
15	AW137	1035734	INJECTOR J LIGHT BLUE WITH O-RING	010	064	•	
15	AW138	1035735	INJECTOR K PINK WITH O-RING	010	064	•	
15	AW348	1035736	INJECTOR L ORANGE WITH O-RING P/N 1035736	010	064	•	
15	AW349	1035737	INJECTOR M BROWN WITH O-RING P/N 1035737	010	064	•	
15	AW350	1035738	INJECTOR N GREEN WITH O-RING P/N 1035738	010	064	•	
15	AW351	1035739	INJECTOR Q PURPLE WITH O-RING P/N 1035739	010	064	•	
15	AW352	1035884	INJECTOR R GREY WITH O-RING P/N 1035884	010	064	•	

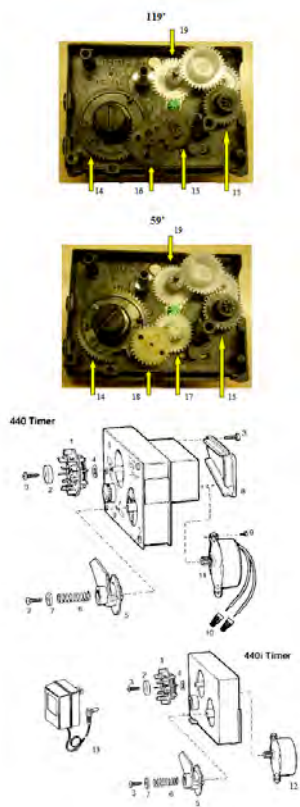


VALVE LOGIX 255 EXPLODED VIEW AND PARTS LIST

Numero	Ref	P.N.	Description	Fam.	Subfam.	Disp. Stock	
16	AW107	1000269	INJECTOR CAP/BACKWASH OPEN 00	010	064	•	
17	AW100	1000209	BACKWASH CONTROL 07 WITH O-RING	010	064	•	
17	AW101	1000210	BACKWASH CONTROL 08 WITH O-RING	010	064	•	
17	AW102	1000211	BACKWASH CONTROL 09 WITH O-RING	010	064	•	
17	AW103	1000212	BACKWASH CONTROL 10 WITH O-RING	010	064	•	
17	AW104	1000213	BACKWASH CONTROL 12 WITH O-RING	010	064	•	
17	AW105	1000214	BACKWASH CONTROL 13 WITH O-RING	010	064	•	
17	AW106	1000215	BACKWASH CONTROL 14 WITH O-RING	010	064	•	
18B	AW118	1243511	BRINE REFILL CONTROL .33 GPM	010	064	•	
19	AW190	1032417	KIT AIR-CHECK 1/4" MALE	010	064	•	
20	AW129	1235373	OPTIC SENSOR P/N 1235373	010	064	•	
21	AW126	1238861	MOTOR W/SPACER AND PINION AND CABLE SERIES 700 P/N 1238861	010	064	•	
22	AW139	1030502	FLOW CONTROL BALL	010	064	•	
N.Visual.	AW191	1033066	NEW TO OLD AIR CHECK ADAPTER	010	064	•	
N.Visual.	AW140	1030528	AIR-CHECK BALL	010	064	•	
N.Visual.	AW128	1035446	TURBINE CABLE 255-268-278/700	010	064	•	
N.Visual.	AX040	1244336	KIT CHLORINE GENERATOR 255/268 LOGIX	010	070	•	
N.Visual.	AW124	3029962	MOTOR LOCKING PIN P/N 3029962	010	064	•	
N.Visual.	AV057	1239711	FRONT MOUNT SWITCH KIT 253-5/263-8 0,1A	010	062	•	
N.Visual.	AV058	1239752	FRONT MOUNT SWITCH KIT 253-5/263-8 5A	010	062	•	
N.Visual.	AV059	1239753	TOP PLATE SWITCH KIT 253-5/263-8 0,1A	010	062	•	
N.Visual.	AV069	1239754	TOP PLATE SWITCH KIT 253-5/263-8 5A	010	062	•	
N.Visual.	AV036	1263718	KIT REMOTE LOGIX CONTROL W/CABLE LG.32 P/N 1263718	010	062		
N.Visual.	AV036A	1256257	KIT REMOTE LOGIX CONTROL W/TERMINAL BLOCKS P/N 1256257	010	062		
N.Visual.	AV023	1242411	EXTENSION CORD Lg=50cm FOR CAB. P/N 1242411	010	062		
N.Visual.	AV023A	1239979	4 PIN CONNECTOR CABLE START 700 SERIES	010	062	•	
N.Visual.	AW500	1000814	EUROPEAN TRANSFORMER 230/12V	010	064	•	
N.Visual.	AW501	1000813	BRITISH TRANSFORMER	010	064	•	



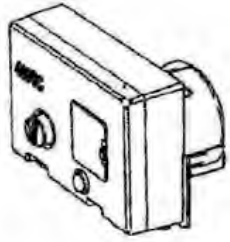
SERIES 400 TIMER EXPLODED VIEW (440i-460i-460TC)



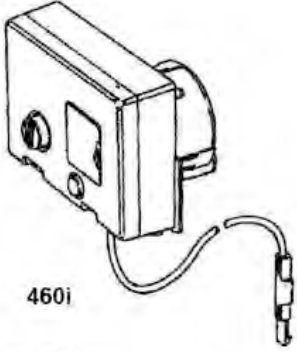
Numero	Ref	P.N.	Description	Fam.	Sotto Fam.	Disp. Stock	
1	AW400	1031740	6 DAYS KIT DISCS FOR 440-440i	010	064		
1	AW401	1031742	7 DAYS KIT DISCS FOR 440-440i	010	064	•	
3	AW451	3030002	MOTOR CAP SCREW	010	064		
4	AW412	3030003	BOWED WASHER P/N 3030003	010	064		
5	AW402	1031756	TRIPPER ARM ASSEMBLY 440-440i	010	064	•	
6	AW413	1030830	SPRING P/N 1030830	010	064		
10	AW410	1007416	WIRE NUT P/N 1007483	010	064		
11	AW420	1000377	MOTORE 230V.50 HZ PER 440-450	010	064		
11	AW421	3003134	MOTORE 24V.50 HZ PER 440-450	010	064		
12	AW433	1001569	12V-60HZ MOTOR FOR 440i	010	064		
12	AW424	1000098	9V-50HZ MOTOR FOR 460i-460tc	010	064	•	
12	AW434		9V-60HZ MOTOR FOR 460i-460tc	010	064	•	
13	AW500	1000814	EUROPEAN TRANSFORMER 230/12V	010	064	•	
13	AW501	1000813	BRITISH TRANSFORMER	010	064	•	
14	AW405	1001833	OUTPUT CONNECTOR W/BLACK START BUTTON 440i	010	064		
N.Visual.	AW406	1001000	BLACK START BUTTON 460i-460 tc	010	064		
N.Visual.	AW453	1005120	CABLE PRESS W/CABLE (440)	010	064		
15	AW454	1031554	BLACK GEAR 119' A(INF.# 8)	010	064		
16	AW455	1030844	BLACK GEAR 119' B	010	064		
17	AW456	1030842	WHITE GEAR 59' A (INF.# 13)	010	064		
18	AW457	1030843	WHITE GEAR 59' B	010	064		
N.Visual.	AW458	1031555	BLACK GEAR 90' A (INF.# 10)	010	064		
N.Visual.	AW459	1030845	BLACK GEAR 90' B	010	064		
19	AW449	1030841	WHITE GEAR FOR TIMER 440I P/N 1030841	010	064		



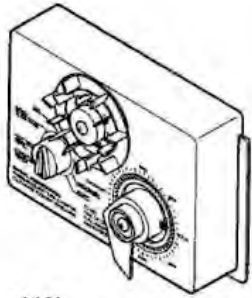
SERIES 400 TIMER LIST



460tc



460i

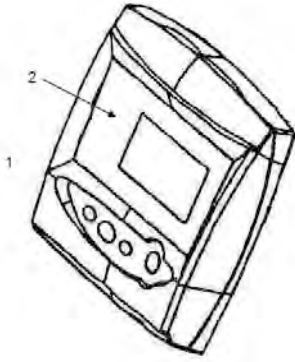


440i

Numero	Ref	P.N.	Description	Fam.	Subfam.	Disp. Stock	
1	AW460	1051826	TIMER 440i 7DAYS 119' 12V.50HZ ITA	010	064	•	
1	AW462	1051827	TIMER 440i 7DAYS 59' 12V.50HZ ITA	010	064	•	
1	AW468	3031461	TIMER 440i 7DAYS 119'12V.50 HZ FOR FILTRATION	010	064	•	
1	AW474	1051828	TIMER 440i 7DAYS 119' 12V.50HZ E.	010	064	•	
1	AW475		TIMER 440i 6DAYS 119' 12V.50HZ E.	010	064		
1	AW476	44ILE2L57 R59	TIMER 440i 7DAYS 59' 12V.50HZ E.	010	064	•	
1	AW477		TIMER 440i 6DAYS 59' 12V.50HZ E.	010	064		
2	AW482	4000610	TIMER 460tc 118' 12V.50HZ SYM	010	064	•	
2	AW483	4000611	TIMER 460tc 59' 12V.50HZ SYM	010	064	•	
2	AW484		TIMER 460tc 118' 12V.60HZ SYM US	010	064		
2	AW485		TIMER 460tc 59' 12V.60HZ SYM US	010	064		
2	AW480	1030007	TIMER 460i 118' 12V.50HZ SYM	010	064	•	
2	AW481	1051811	TIMER 460i 59' 12V.50HZ SYM	010	064	•	
2	AW487		TIMER 460i 59' 12V.60HZ SYM US	010	064		



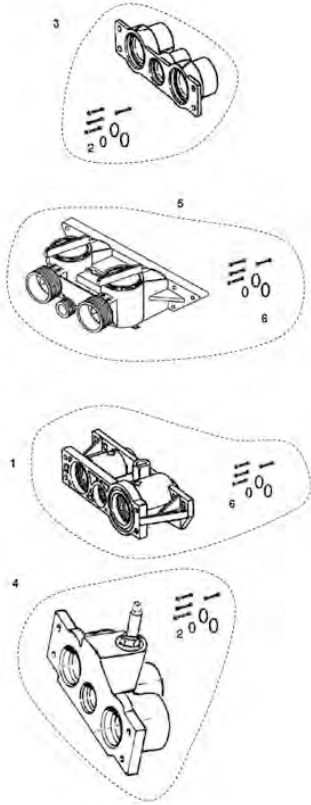
SERIES 700 TIMER LIST



Numero	Ref	P.N.	Description	Fam.	Subfam.	Disp. Stock	
1	AW511E		TIMER 740C W/CHECK SALT 12V 50/60HZ SYMBOL	010	064	•	
1	AW514E		TIMER 760C W/CHECK SALT 12V 50/60HZ SYMBOL	010	064	•	
1	AW517E		TIMER 740F W/CHECK SALT 12V 50/60HZ SYMBOL	010	064	•	
1	AW524E		TIMER 760F W/CHECK SALT 12V 50/60HZ SYMBOL	010	064	•	
1	AW512E		TIMER 742C W/CHECK SALT 12V 50/60HZ SYMBOL	010	064	•	
1	AW515E		TIMER 762C W/CHECK SALT 12V 50/60HZ SYMBOL	010	064	•	
1	AW518E		TIMER 742F W/CHECK SALT 12V 50/60HZ SYMBOL	010	064	•	
1	AW525E		TIMER 762F W/CHECK SALT 12V 50/60HZ SYMBOL	010	064	•	
1	AW505E		TIMER 764C W/CHECK SALT 12V 50/60HZ SYMBOL	010	064	•	
N.Visual.	AW504	1254886	SLAVE CONTROLLER P/N 1254886	010	064	•	



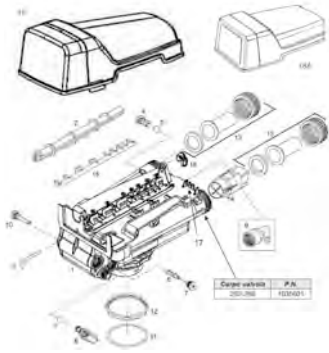
METER, MANIFOLD, 256 BYPASS SPARE PARTS



Numero	Ref	P.N.	Description	Fam.	Subfam.	Disp. Stock	
1	AW201	1032350	METER ADAPTER KIT	010	064	•	
2	AW197		O-RING SET W/SCREWS AND NUTS*	010	064	•	
3	AV015		MANIFOLD BRASS FEMALE 3/4" GAS	010	062	•	
3	AV016		MANIFOLD BRASS FEMALE 1" GAS	010	062	•	
3	AV010		MANIFOLD KIT BRASS FEMALE 3/4" GAS*	010	062	•	
3	AV011		MANIFOLD KIT BRASS FEMALE 1" GAS*	010	062	•	
N.Visual.	AV013	1040283	MANIFOLD KIT NORYL FEMALE 3/4" BSPT*	010	062	•	
4	AV006		MANIFOLD 3/4" GAS MIXER	010	062	•	
4	AV017		MANIFOLD BRASS FEMALE 1" GAS MIXER	010	062	•	
N.Visual.	AV007		MANIFOLD KIT 3/4" GAS BRASS MIXER*	010	062	•	
N.Visual.	AV012		MANIFOLD KIT BRASS FEMALE 1" GAS MIXER*	010	062	•	
N.Visual.	AV001		MANIFOLD 3/4" MALE WITH TURBINE P/N 1234260	010	062	•	
N.Visual.	AV001A		MANIFOLD 255 3/4" BSP MALE NORYL + KIT P/N 1234256	010	062	•	
N.Visual.	AV022		MANIFOLD 1" MALE WITH TURBINE + KIT P/N 1234259	010	062	•	
N.Visual.	AV022A		MANIFOLD 255 1" BSP MALE NORYL + KIT P/N 1234255	010	062	•	
5	AV026	1040769	BY-PASS 256 W/O-RING, SCREWS,NUTS	010	062	•	
N.Visual.	AW202	1033057	FLOW METER 255-168	010	064		
6	AW197N	1040524	O-RING DET W/SCREWS & NUTS FOR NORYL MANIFOLD P/N 1040524	010	064	•	



263-268-268F A/400 VALVE EXPLODED VIEW



Numero	Ref	P.N.	Description	Fam.	Subfam.	Disp. Stock	
1+12+15+16+17	AW166	1263715	263-268/400 VALVE ASSEMBLY W/O FLKOW CONTROLS	010	064	•	
2	AW315	1035625	CAMSHAFT FOR 268 STD	010	064		
2	AW316	1035627	CAMSHAFT FOR 268 XS	010	064		
2	AW317	1030376	CAMSHAFT FOR 268 FA	010	064		
2	AW318	1035624	CAMSHAFT FOR 263	010	064		
3	AW185	1031391	TIMER LOCKING PIN	010	064	•	
4	AW100	1000209	BACKWASH CONTROL 07 WITH O-RING	010	064	•	
4	AW101	1000210	BACKWASH CONTROL 08 WITH O-RING	010	064	•	
4	AW102	1000211	BACKWASH CONTROL 09 WITH O-RING	010	064	•	
4	AW103	1000212	BACKWASH CONTROL 10 WITH O-RING	010	064	•	
4	AW104	1000213	BACKWASH CONTROL 12 WITH O-RING	010	064	•	
4	AW105	1000214	BACKWASH CONTROL 13 WITH O-RING	010	064	•	
4	AW106	1000215	BACKWASH CONTROL 14 WITH O-RING	010	064	•	
5	AW139	1030502	FLOW CONTROL BALL	010	064	•	
6	AW130	1032970	INJECTOR A WHITE WITH O-RING	010	064	•	
6	AW131	1032971	INJECTOR B BLUE WITH O-RING	010	064	•	
6	AW132	1032972	INJECTOR C RED WITH O-RING	010	064	•	
7	AW107	1000269	INJECTOR CAP/BACKWASH OPEN 00	010	064	•	
N.Visual.	AW306	1032978	PLUGGED INJECTOR ASSEMBLY 263	010	064		
8	AW110	1034261	BRINE REFILL CONTROL 10 Lbs	010	064	•	
8	AW111	1034263	BRINE REFILL CONTROL 19 Lbs	010	064	•	
8	AW308	1030334	PLUGGED REFILL CONTROL 263	010	064	•	
9	AV175	1002449	ELBOW DRIAN FITTING 3/4" F	010	062	•	

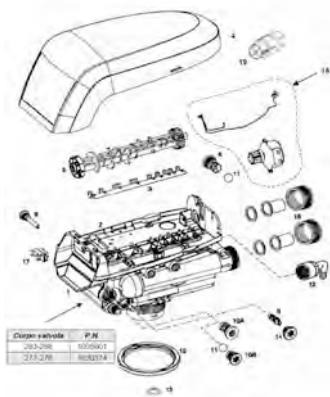


263-268-268F A/400 VALVE EXPLODED VIEW

Numero	Ref	P.N.	Description	Fam.	Subfam.	Disp. Stock	
10	AW125	1000226	SCREEN/CAP ASSEMBLY W/O-RING	010	064	•	
11	AW172	3029969	O-RING ADAPTER FOR PRESSURE VESSEL 2.1/2"	010	064	•	
12	AW319	1035622	TANK RING 2"1/2 263-268 P/N 1035623	010	064	•	
13	AV030B		MANIFOLD KIT BRASS MALE 3/4" GAS*	010	062	•	
13	AV031B		MANIFOLD KIT BRASS MALE " GAS*	010	062	•	
13	AV032	1001615	MANIFOLD KIT PVC D,32	010	062	•	
13	AV038		MANIFOLD KIT BRASS MALE 1,1/4" GAS*	010	062	•	
14	AW328	1033444	TURBINE ASSEMBLY	010	064	•	
15	AW360	1235339	VALVE DISC SPRING ONE PIECE 263/268 LOGIX P/N 1235339	010	064	•	
N.Visual.	AW181	1001580	VALVE DISC SPRING	010	064	•	
16	AW146A	3019873	CAMSHAFT BEARING FOR COVER Lid NEW STYLE	010	064		
18	AW141A	3019870	COVER FOR 255-263-268 SERIE 400 (I-Lid) NEW STYLE	010	064		
N.Visual.	AW329	1041174	VALVE DISCS KIT FOR 263-268-273-278	010	064	•	
N.Visual.	AW309	1035778	CLIP ALBERO A CAM PERFORMA	010	064		
N.Visual.	AV037	1239760	BLENDING KIT SCREW FOR 700 SERIES AND 255/400 NEW STYLE	010	062	•	
N.Visual.	AV065	1041116	MICRO-SWITCH KIT FOR 268 0.1 A	010	062		
N.Visual.	AV066	1041117	MICRO-SWITCH KIT FOR 268 5.0 A	010	062		
N.Visual.	AV039		BY-PASS 1265 KIT BRASS 1" GAS*	010	062	•	
N.Visual.	AV040		BY-PASS KIT 1265 BRASS 1,1/4" GAS*	010	062	•	
N.Visual.	AW174	3030450	TOP PLATE SCREW NO 8x9/16"	010	064	•	



LOGIX 263-268-278 VALVE EXPLODED VIEW



Numero	Ref	P.N.	Description	Fam.	Subfam.	Disp. Stock	
1+2+3+13	AW362	1255104	263-268/700 VALVE ASSEMBLY W/O FLOW CONTROLS	010	064	•	
1+2+3+13	AW363	1255105	278 VALVE ASSMBLY W/O FLOW CONTROLS	010	064	•	
2	AW359	1235338	TOP PLATE 263/268/278 LOGIX P/N 1235338	010	064	•	
3	AW360	1235339	VALVE DISC SPRING ONE PIECE 263/268 LOGIX P/N 1235339	010	064	•	
4	AW148	1236246	253-5/263-8 LOGIX STANDARD COVER P/N 1236246	010	064		
5	AW358	1235352	CAMSHAFT 263/268 LOGIX P/N 1235352	010	064	•	
5	AW361	1237405	CAMSHAFT 278 LOGIX P/N 1237405	010	064	•	
6	AW100	1000209	BACKWASH CONTROL 07 WITH O-RING	010	064	•	
6	AW101	1000210	BACKWASH CONTROL 08 WITH O-RING	010	064	•	
6	AW102	1000211	BACKWASH CONTROL 09 WITH O-RING	010	064	•	
6	AW103	1000212	BACKWASH CONTROL 10 WITH O-RING	010	064	•	
6	AW104	1000213	BACKWASH CONTROL 12 WITH O-RING	010	064	•	
6	AW105	1000214	BACKWASH CONTROL 13 WITH O-RING	010	064	•	
6	AW106	1000215	BACKWASH CONTROL 14 WITH O-RING	010	064	•	
6	AV044	1030355	EXTERNAL BACKWASH 05 GPM	010	062	•	
6	AV045	1030356	EXTERNAL BACKWASH 06 GPM	010	062	•	
6	AV046	1030357	EXTERNAL BACKWASH 07 GPM	010	062	•	
6	AV047	1030358	EXTERNAL BACKWASH 08 GPM	010	062	•	
6	AV048	1030359	EXTERNAL BACKWASH 09 GPM	010	062	•	



PARTS LIST VALVE LOGIX 263-268-278

Numero	Ref	P.N.	Description	Fam.	Subfam.	Disp. Stock	
6	AV049	1030360	EXTERNAL BACKWASH 10 GPM	010	062	•	
6	AV141	1000406	EXTERNAL BACKWASH CONTROL 12 GPM	010	062	•	
6	AV142	1000407	EXTERNAL BACKWASH CONTROL 15 GPM	010	062	•	
6	AV144	1000409	EXTERNAL BACKWASH CONTROL 20 GPM	010	062	•	
8	AW125	1000226	SCREEN/CAP ASSEMBLY W/O-RING	010	064	•	
9	AW133	1035730	INJECTOR E YELLOW WITH O-RING	010	064	•	
9	AW134	1035731	INJECTOR F PEACH WITH O-RING	010	064	•	
9	AW135	1035732	INJECTOR G TAN WITH O-RING	010	064	•	
9	AW136	1035733	INJECTOR H LIGHT PURPLE WITH O-RING	010	064	•	
9	AW137	1035734	INJECTOR J LIGHT BLUE WITH O-RING	010	064	•	
9	AW138	1035735	INJECTOR K PINK WITH O-RING	010	064	•	
9	AW348	1035736	INJECTOR L ORANGE WITH O-RING P/N 1035736	010	064	•	
9	AW349	1035737	INJECTOR M BROWN WITH O-RING P/N 1035737	010	064	•	
9	AW350	1035738	INJECTOR N GREEN WITH O-RING P/N 1035738	010	064	•	
9	AW351	1035739	INJECTOR Q PURPLE WITH O-RING P/N 1035739	010	064	•	
9	AW352	1035884	INJECTOR R GREY WITH O-RING P/N 1035884	010	064	•	
10B	AW118	1243511	BRINE REFILL CONTROL .33 GPM	010	064	•	
10B	AW327	1000519	BRINE REFILL CONTROL ACQUA 1.3 GPM P/N 1000519	010	064	•	
11	AW139	1030502	FLOW CONTROL BALL	010	064	•	
11	AW308	1030334	PLUGGED REFILL CONTROL 263	010	064	•	
12	AV175	1002449	ELBOW DRIAN FITTING 3/4" F	010	062	•	
13	AW169	3030918	O-RING 1.05"	010	064	•	
14	AW107	1000269	INJECTOR CAP/BACKWASH OPEN 00	010	064	•	

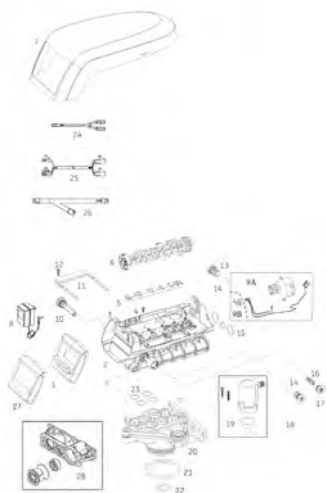


PARTS LIST VALVE LOGIX 263-268-278

Numero	Ref	P.N.	Description	Fam.	Subfam.	Disp. Stock	
15	AW319	1035622	TANK RING 2"1/2 263-268 P/N 1035623	010	064	•	
16	AV030B		MANIFOLD KIT BRASS MALE 3/4" GAS*	010	062	•	
16	AV031B		MANIFOLD KIT BRASS MALE " GAS*	010	062	•	
16	AV032	1001615	MANIFOLD KIT PVC D,32	010	062	•	
16	AV038		MANIFOLD KIT BRASS MALE 1,1/4" GAS*	010	062	•	
17	AW129	1235373	OPTIC SENSOR P/N 1235373	010	064	•	
18	AW126	1238861	MOTOR W/SPACER AND PINION AND CABLE SERIES 700 P/N 1238861	010	064	•	
N.Visual.	AW172	3029969	O-RING ADAPTER FOR PRESSURE VESSEL 2.1/2"	010	064	•	
N.Visual.	AW329	1041174	VALVE DISCS KIT FOR 263-268-273-278	010	064	•	
N.Visual.	AV037	1239760	BLENDING KIT SCREW FOR 700 SERIES AND 255/400 NEW STYLE	010	062	•	
N.Visual.	AW128	1235446	TURBINE CABLE 255-268-278/700	010	064	•	
19	AW328	1033444	TURBINE ASSEMBLY	010	064		
N.Visual.	AX040	1244336	KIT CHLORINE GENERATOR 255/268 LOGIX	010	070	•	
N.Visual.	AW124	3029962	MOTOR LOCKING PIN P/N 3029962	010	064	•	
N.Visual.	AV057	1239711	FRONT MOUNT SWITCH KIT 253-5/263-8 0,1A	010	062	•	
N.Visual.	AV058	1239752	FRONT MOUNT SWITCH KIT 253-5/263-8 5A	010	062	•	
N.Visual.	AV059	1239753	TOP PLATE SWITCH KIT 253-5/263-8 0,1A	010	062	•	
N.Visual.	AV069	1239754	TOP PLATE SWITCH KIT 253-5/263-8 5A	010	062	•	
N.Visual.	AV036	1263718	KIT REMOTE LOGIX CONTROL W/CABLE LG.32 P/N 1263718	010	062		
N.Visual.	AV036A	1256257	KIT REMOTE LOGIX CONTROL W/TERMINAL BLOCKS P/N 1256257	010	062		
N.Visual.	AV023	1242411	EXTENSION CORD Lg=50cm FOR CAB. P/N 1242411	010	062		
N.Visual.	AV023A	1239979	4 PIN CONNECTOR CABLE START 700 SERIES	010	062	•	



255/764 VALVE EXPLODED VIEW & PARTS LIST



Numero	Ref	P.N.	Description	Fam.	Subfam.	Disp. Stock	
1	AW505E		TIMER 764C W/CHECK SALT 12V 50/60HZ SYMBOL	010	064	•	
2+3+4+5	AW168	1244650	255/700 VALVE ASSEMBLY W/O FLOW CONTROLS	010	064	•	
3	AW162	1235340	TOP PLATE 253/255 LOGIX P/N 1235341	010	064	•	
4-12	AW174	3030450	TOP PLATE SCREW NO 8x9/16"	010	064	•	
5	AW163	1235341	SPRING ONE PIECE 255 VALVE P/N 1235341	010	064	•	
6	AW149	1235353	CAMSHAFT 253/255 LOGIX P/N 1235353	010	064	•	
6	AW177	1236251	CAMSHAFT 255 LOGIX 764 TWIN P/N 1236251	010	064	•	
7	AW148	1236246	253-5/263-8 LOGIX STANDARD COVER P/N 1236246	010	064		
8	AW500	1000814	EUROPEAN TRANFORMER 230/12V	010	064	•	
8	AW501	1000813	BRITISH TRANFORMER	010	064	•	
9A	AW126	1238861	MOTOR W/SPACER AND PINION AND CABLE SERIES 700 P/N 1238861	010	064	•	
9B	AW129	1235373	OPTIC SENSOR P/N 1235373	010	064	•	
10	AW125	1000226	SCREEN/CAP ASSEMBLY W/O-RING	010	064	•	
11	AW173	1031405	LOCKING BAR	010	064	•	
13	AW100	1000209	BACKWASH CONTROL 07 WITH O-RING	010	064	•	
13	AW101	1000210	BACKWASH CONTROL 08 WITH O-RING	010	064	•	
13	AW102	1000211	BACKWASH CONTROL 09 WITH O-RING	010	064	•	
13	AW103	1000212	BACKWASH CONTROL 10 WITH O-RING	010	064	•	
13	AW104	1000213	BACKWASH CONTROL 12 WITH O-RING	010	064	•	
13	AW105	1000214	BACKWASH CONTROL 13 WITH O-RING	010	064	•	
13	AW106	1000215	BACKWASH CONTROL 14 WITH O-RING	010	064	•	
14	AW139	1030502	FLOW CONTROL BALL	010	064	•	
15	AW196	1040459	O-RING SET*	010	064	•	

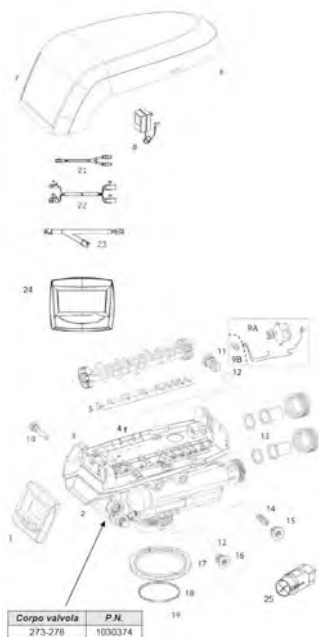


PARTS LIST VALVE 255/764

Numero	Ref	P.N.	Description	Fam.	Subfam.	Disp. Stock	
16	AW133	1035730	INJECTOR E YELLOW WITH O-RING	010	064	•	
16	AW134	1035731	INJECTOR F PEACH WITH O-RING	010	064	•	
16	AW135	1035732	INJECTOR G TAN WITH O-RING	010	064	•	
16	AW136	1035733	INJECTOR H LIGHT PURPLE WITH O-RING	010	064	•	
16	AW137	1035734	INJECTOR J LIGHT BLUE WITH O-RING	010	064	•	
16	AW138	1035735	INJECTOR K PINK WITH O-RING	010	064	•	
16	AW348	1035736	INJECTOR L ORANGE WITH O-RING P/N 1035736	010	064	•	
16	AW349	1035737	INJECTOR M BROWN WITH O-RING P/N 1035737	010	064	•	
16	AW350	1035738	INJECTOR N GREEN WITH O-RING P/N 1035738	010	064	•	
16	AW351	1035739	INJECTOR Q PURPLE WITH O-RING P/N 1035739	010	064	•	
16	AW352	1035884	INJECTOR R GREY WITH O-RING P/N 1035884	010	064	•	
17	AW107	1000269	INJECTOR CAP/BACKWASH OPEN 00	010	064	•	
18	AW118	1243511	BRINE REFILL CONTROL .33 GPM	010	064	•	
19	AW190	1032417	KIT AIR-CHECK 1/4" MALE	010	064	•	
20	AW170	1033784	ADAPTER PRESSURE VESSEL 2.1/2" FOR TUBE 1.05"	010	064	•	
21	AW172	3029969	O-RING ADAPTER FOR PRESSURE VESSEL 2.1/2"	010	064	•	
22	AW169	3030918	O-RING 1.05"	010	064	•	
23	AW195	1001404	O-RING SET FOR 255 VALVE TOP/BOTTOM COUPLING	010	064	•	
24	AW365	3016715	Y CABLE 4 PIN TURBINE SENSOR P/N 3016715	010	064	•	
25	AW366	3016775	INTERCONNECTION CABLE LOGIX TWIN LG 3 M P/N 3016775	010	064	•	
26	AW367	3020228	START/LOCKOUT CABLE 3 PIN MULTI TANK P/N 3020228	010	064	•	
27	AW504	1254886	SLAVE CONTROLLER P/N 1254886	010	064	•	
28	AW201	1032350	METER ADAPTER KIT	010	064	•	
Non visual.	AW124	3029962	MOTOR LOCKING PIN P/N 3029962	010	064	•	
Non visual.	AW128	1235446	TURBINE CABLE 255-268-278/700	010	064	•	



PARTS LIST VALVE 278/764



Numero	Ref	P.N.	Description	Fam.	Subfam.	Disp. Stock	
1	AW505E		TIMER 764C W/CHECK SALT 12V 50/60HZ SYMBOL	010	064	•	
2+3+4+5+19	AW363	1255105	278 VALVE ASSMBLY W/O FLOW CONTROLS	010	064	•	
3	AW359	1235338	TOP PLATE 263/268/278 LOGIX P/N 1235338	010	064	•	
4	AW174	3030450	TOP PLATE SCREW NO 8x9/16"	010	064	•	
5	AW360	1235339	VALVE DISC SPRING ONE PIECE 263/268 LOGIX P/N 1235339	010	064	•	
6	AW361	1237405	CAMSHAFT 278 LOGIX P/N 1237405	010	064	•	
6	AW364	1237406	CAMSHAFT 278 LOGIX 764 TWIN P/N 1237406	010	064	•	
7	AW148	1236246	253-5/263-8 LOGIX STANDARD COVER P/N 1236246	010	064		
8	AW500	1000813	EUROPEAN TRANSFORMER 230/12V	010	064	•	
8	AW501	1000811	BRITISH TRANSFORMER	010	064	•	
9A	AW126	1238861	MOTOR W/SPACER AND PINION AND CABLE SERIES 700 P/N 1238861	010	064	•	
9B	AW129	1235373	OPTIC SENSOR P/N 1235373	010	064	•	
10	AW125	1000226	SCREEN/CAP ASSEMBLY W/O-RING	010	064	•	
11	AW100	1000209	BACKWASH CONTROL 07 WITH O-RING	010	064	•	
11	AW101	1000211	BACKWASH CONTROL 08 WITH O-RING	010	064	•	
11	AW103	1000212	BACKWASH CONTROL 10 WITH O-RING	010	064	•	
11	AW104	1000213	BACKWASH CONTROL 12 WITH O-RING	010	064	•	
11	AW105	1000214	BACKWASH CONTROL 13 WITH O-RING	010	064	•	
11	AW106	1000215	BACKWASH CONTROL 14 WITH O-RING	010	064	•	
12	AW139	1030502	FLOW CONTROL BALL	010	064	•	
13	AV031B		MANIFOLD KIT BRASS MALE " GAS*	010	062	•	
13	AV032	1001615	MANIFOLD KIT PVC D,32	010	062	•	
13	AV038		MANIFOLD KIT BRASS MALE 1,1/4" GAS*	010	062	•	
13	AW183		MANIFOLD+NUT 1,1/4" BRASS	010	064	•	

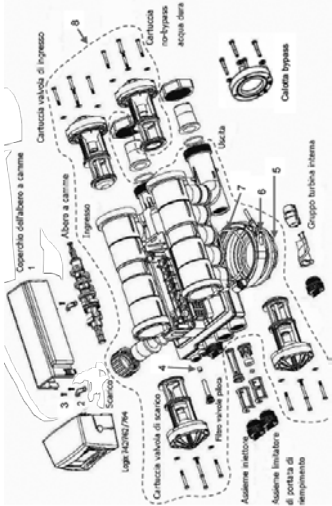


PARTS LIST VALVE 278/764

Numero	Ref	P.N.	Description	Fam.	Subfam	Disp. Stock	
14	AW133	1035730	INJECTOR E YELLOW WITH O-RING	010	064	•	
14	AW134	1035731	INJECTOR F PEACH WITH O-RING	010	064	•	
14	AW135	1035732	INJECTOR G TAN WITH O-RING	010	064	•	
14	AW136	1035733	INJECTOR H LIGHT PURPLE WITH O-RING	010	064	•	
14	AW137	1035734	INJECTOR J LIGHT BLUE WITH O-RING	010	064	•	
14	AW138	1035735	INJECTOR K PINK WITH O-RING	010	064	•	
14	AW348	1035736	INJECTOR L ORANGE WITH O-RING P/N 1035736	010	064	•	
14	AW349	1035737	INJECTOR M BROWN WITH O-RING P/N 1035737	010	064	•	
14	AW350	1035738	INJECTOR N GREEN WITH O-RING P/N 1035738	010	064	•	
14	AW351	1035739	INJECTOR Q PURPLE WITH O-RING P/N 1035739	010	064	•	
14	AW352	1035884	INJECTOR R GREY WITH O-RING P/N 1035884	010	064	•	
15	AW107	1000269	INJECTOR CAP/BACKWASH OPEN 00	010	064	•	
16	AW118	1243511	BRINE REFILL CONTROL .33 GPM	010	064	•	
16	AW327	1000519	BRINE REFILL CONTROL ACQUA 1.3 GPM P/N 1000519	010	064	•	
17	AW319	1035622	TANK RING 2"1/2 263-268 P/N 1035623	010	064	•	
18	AW172	3029969	O-RING ADAPTER FOR PRESSURE VESSEL 2.1/2"	010	064	•	
19	AW169	3030918	O-RING 1.05"	010	064	•	
21	AW365	3016715	Y CABLE 4 PIN TURBINE SENSOR P/N 3016715	010	064	•	
22	AW366	3016775	INTERCONNECTION CABLE LOGIX TWIN LG 3 M P/N 3016775	010	064	•	
23	AW367	3020228	START/LOCKOUT CABLE 3 PIN MULTI TANK P/N 3020228	010	064	•	
24	AW504	1254886	SLAVE CONTROLLER P/N 1254886	010	064	•	
Non visual.	AW124	3029962	MOTOR LOCKING PIN P/N 3029962	010	064	•	
Non visual.	AW128	1235446	TURBINE CABLE 255-268-278/700	010	064	•	
25	AW328	1033444	TURBINE ASSEMBLY	010	064	•	



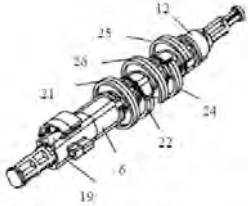
MAGNUM VALVE 700 SERIES EXPLODED VIEW



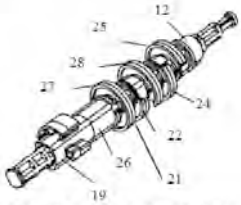
Numero	Ref	P.N.	Description	Fam.	Subfam.	Disp. Stock	
1	CD140	1000343	CAMSHAFT COVER	020	083		
2	CD100	1000589	PILLOW BLOCK CAP	020	083	•	
3	CD109	3030505	MAGNUM VALVE LONG SCREW	020	083	•	
4	CD144	3025780	INTERNAL CHECK VALVE	020	083	•	
5	CD171	3024790	AISI 304 MAGNUM ADAOPTER P/N 3024790	020	083	•	
6	CD173	3024785	CLAMP AISI 304 P/N 3024785	020	083	•	
7	CD174	3026486	O RING CLAMP P/N 3026486	020	083	•	



MAGNUM VALVE 700 SERIES SPARE PARTS



A) ALBERO A CAMME 5 CICLI
ADDOLCITORE/FILTRO LOGIX



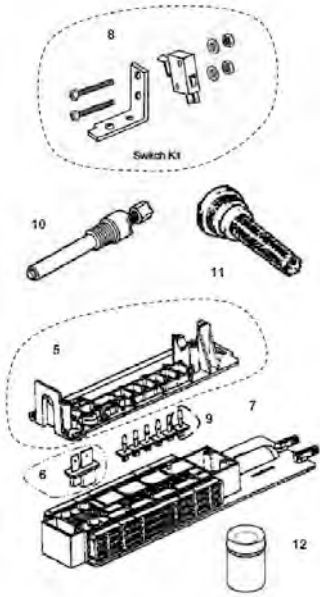
B) ALBERO A CAMME TWIN
LOGIX

Numero	Ref	P.N.	Description	Fam.	Subfam.	Disp.Stock	
A)	CD125	1267726	3-5 CYCLES MAGNUM LOGIX SIMPLEX CAMSHAFT	020	083	•	
costituito da							
19		1000499	Camme aspirazione salamoia - AVANA				
6		1000462	Camme standard - NERO				
21		1001620	Camme pilota # 1 - AVANA				
22		1001621	Camme pilota # 2 - BLU				
26		1267724	Camme pilota # 3 - GRIGIO				
24		1001623	Camme pilota # 4 - GIALLO				
25		1001624	Camme pilota # 5 - ARANCIONE				
12		1000469	Camme pilota # 6 - ROSSO				

Numero	Ref	P.N.	Description	Fam.	Subfam.	Disp.Stock	
B)	CD126	1001751	3-5 CYCLES MAGNUM LOGIX TWIN CAMSHAFT P/N 1001751	020	083	•	
costituito da							
19		1000499	Camme aspirazione salamoia - AVANA				
26		1034356	Camme distanziale - NERO				
27		1233554	Camme standard - AVANA				
21		1001620	Camme pilota # 1 - AVANA				
22		1001621	Camme pilota # 2 - BLU				
28		1001622	Camme pilota # 3 - VERDE				
24		1001623	Camme pilota # 4 - GIALLO				
25		1001624	Camme pilota # 5 - ARANCIONE				
12		1000469	Camme pilota # 6 - ROSSO				



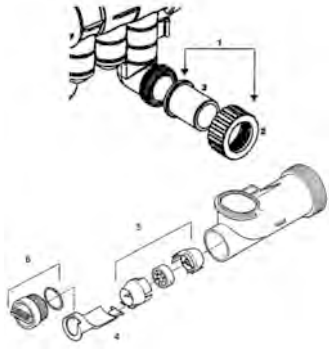
MAGNUM VALVE 700 SERIES SPARE PARTS



Numero	Ref	P.N.	Description	Fam.	Subfam.	Disp. Stock	
5	CD141	1000339	MAGNUM PLATE P/N 1000339	020	083	•	
N.Visual.	AW174	3030450	TOP PLATE SCREW NO 8x9/16"	010	064	•	
N.Visual.	CD109	3030505	MAGNUM VALVE LONG SCREW	020	083	•	
6	CD143	1000391	BRINE FLAPFOR VALVE P/N 1000391	020	083	•	
9	CD142	1000328	PILOT FLAPPER VALVE P/N 1000328	020	083	•	
N.Visual.	AW181	1001580	VALVE DISC SPRING	010	064	•	
6+7	CD020	1040692	VALVE DISCS KIT FOR MAGNUM	020	083	•	
N.Visual.	CD161	1010162	4" TANK ADAPTER O-RING	020	083	•	
N.Visual.	CC115	1000553	CAM PILOT AUXILIARY LONG CYCLE	020	082	•	
N.Visual.	CC116	1000554	CAM PILOT AUXILIARY SHORT CYCLE	020	082	•	
8	CC119	3019468	KIT N.1 MICRO SWITCH 0.1 AMPERE P/N 3109468	020	082	•	
8	CC120	3019469	KIT N. 1 MICRO SWITCH 5.0 AMPERE P/N 3019469	020	082	•	
N.Visual.	CC124	3019467	KIT N. 3 MICRO SWITCH 5,0 AMPERE P/N 3019467	020	082	•	
10	CC130	1040668	EXTERNAL PILOT FEED ADAPTER	020	082	•	
11	AW125	1000226	SCREEN/CAP ASSEMBLY W/O-RING	010	064	•	
12	CD144	3025780	INTERNAL CHECK VALVE	020	083	•	



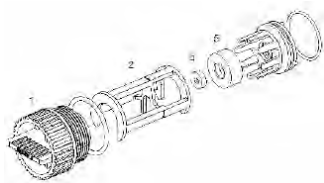
MAGNUM VALVE INSTALLATION ADAPTER PARTS



Numero	Ref	P.N.	Description	Fam.	Subfam.	Disp. Stock	
1	CC080	3023673	MAGNUM 1,5" STAINLESS STEEL ADAPTER KIT BSPT	020	082	•	
1	CC081	1001656	MAGNUM 2" PVC D.50 MM ADAPTER KIT	020	082	•	
1	CC082	3023674	MAGNUM 2" STAINLESS STEEL ADAPTER KIT BSPT	020	082	•	
1	CC083	1040785	MAGNUM 2" PVC D.63 MM ADAPTER KIT	020	082	•	
2	CD151	1000356	1.5" NORYL ADAPTER NUT	020	083	•	
2	CD152	1030664	2" SS ADAPTER NUT	020	083	•	
3	CD153	3014556	1.5" SS BSPT ADAPTER	020	083	•	
3	CD163		1.5" BSPT FEMALE ADAPTER AVP GALVANIZED	020	083		
3	CD154	3014559	2" SS BSPT ADAPTER	020	083	•	
3	CD155	1030577	32 MM METRIC CPVC ADAPTER	020	083		
3	CD156	1000359	50 MM METRIC CPVC ADAPTER	020	083	•	
3	CD157	1030667	63 MM METRIC CPVC ADAPTER	020	083	•	
4	CD067	1000074	INSERT CORNER 2"	020	083	•	
5	CD068	1232965	ASSEMBLY TURBINE IT 2" P/N 1232965	020	083	•	
6	CD099	1040688	PLUG FOR INJECTOR, REFILL AND PRESSURE REGULATOR PORTS	020	083	•	
N.Visual.	CD158	3029966	1.5" ADAPTER & 48.3 MM TUBE O-RING	020	083	•	
N.Visual.	CD159	3029964	2" ADAPTER O-RING	020	083	•	
N.Visual.	CD161	1010162	4" TANK ADAPTER O-RING	020	083	•	
N.Visual.	CD162	1030891	GASKET FOR 2" TURBINE	020	083	•	
N.Visual.	CC084	1040921	SIDE MOUNT ADAPTER PVC 2" BSPT FEMALE	020	082	•	
N.Visual.	CD069	1033358	2" FLOW METER BODY	020	083	•	
N.Visual.	CD073	1034081	2" FLOW METER W/ 63 MM METRIC CPVC ADAPTER	020	083	•	



MAGNUM REFILL CONTROL ASSEMBLY PARTS



Numero	Ref	P.N.	Description	Fam.	Subfam.	Disp. Stock	
1	CD099	1040688	PLUG FOR INJECTOR, REFILL AND PRESSURE REGULATOR PORTS	020	083	•	
3	CD089	1040687	REFILL CONTROL ASSEMBLY W/O REFILL CONTROL	020	083	•	
4	CD081	1000421	BRINE REFIL CONTROLLER 0.7 GPM FOR PRESSURE VESSEL 14"	020	083	•	
4	CD082	1000422	BRINE REFIL CONTROLLER 0.8 GPM FOR PRESSURE VESSEL 16"	020	083	•	
4	CD083	1000423	BRINE REFIL CONTROLLER 1.0 GPM FOR PRESSURE VESSEL 18"	020	083	•	
4	CD084	1000424	BRINE REFIL CONTROLLER 1.4 GPM FOR PRESSURE VESSEL 21"	020	083	•	
4	CD085	1000425	BRINE REFIL CONTROLLER 2.0 GPM FOR PRESSURE VESSEL 24"	020	083	•	
4	CD086	1000426	BRINE REFIL CONTROLLER 3.0 GPM FOR PRESSURE VESSEL 30"	020	083	•	
4	CD087	1000427	BRINE REFIL CONTROLLER 5.0 GPM FOR PRESSURE VESSEL 36"	020	083	•	
5	CD080	1000479	REFILL CONTROL CAGE	020	083	•	

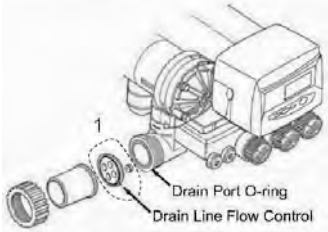
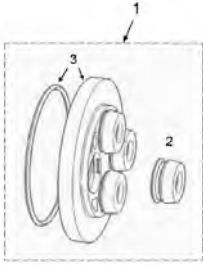
MAGNUM INJECTOR ASSEMBLY PARTS



Numero	Ref	P.N.	Description	Fam.	Subfam.	Disp. Stock	
1	CD091	1040670	INJECTOR 0.5 GPM FOR PRESSURE VESSEL 14"	020	083	•	
1	CD092	1040671	INJECTOR 0.5 GPM FOR PRESSURE VESSEL 16"	020	083	•	
1	CD093	1040672	INJECTOR 0.6 GPM FOR PRESSURE VESSEL 18"	020	083	•	
1	CD094	1040673	INJECTOR 0.9 GPM FOR PRESSURE VESSEL 21"	020	083	•	
1	CD095	1040674	INJECTOR 1.4 GPM FOR PRESSURE VESSEL 24"	020	083	•	
1	CD096	1040675	INJECTOR 2.0 GPM FOR PRESSURE VESSEL 30"	020	083	•	
1	CD097	1040676	INJECTOR 3.3 GPM FOR PRESSURE VESSEL 36"	020	083	•	
1	CD097A	1000491	INJECTOR 4.2 GPM FOR PRESSURE VESSEL 42"	020	083	•	
1	CD098	1040669	BLANK INJECTOR	020	083	•	
2	CD088	1040677	INJECTOR ASSEMBLY W/O INJECTOR	020	083	•	
3	CD090	1000322	INJECTOR SCREEN P/N 1000322	020	083	•	
4	CD099	1040688	PLUG FOR INJECTOR, REFILL AND PRESSURE REGULATOR PORTS	020	083	•	



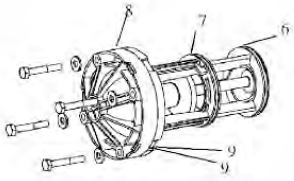
MAGNUM DRAIN LINE FLOW CONTROL PART LIST



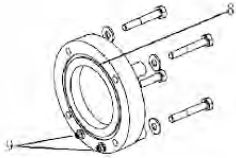
Numero	Ref	P.N.	Description	Fam.	Subfam.	Disp. Stock	
1	CC101	1040720	FLOW CONTROL DISK 05 GPM	020	082	•	
1	CC102	1040721	FLOW CONTROL DISK 06 GPM	020	082	•	
1	CC103	1040723	FLOW CONTROL DISK 08 GPM	020	082	•	
1	CC104	1040725	FLOW CONTROL DISK 10 GPM	020	082	•	
1	CC105	1040728	FLOW CONTROL DISK 13 GPM	020	082	•	
1	CC114	1040729	FLOW CONTROL DISK 14 GPM	020	082	•	
1	CC106	1040740	FLOW CONTROL DISK 15 GPM	020	082	•	
1	CC107	1040745	FLOW CONTROL DISK 20 GPM	020	082	•	
1	CC108	1040747	FLOW CONTROL DISK 22 GPM	020	082	•	
1	CC109	1040730	FLOW CONTROL DISK 25 GPM	020	082	•	
1	CC110	1040735	FLOW CONTROL DISK 30 GPM	020	082	•	
1	CC111	1040750	FLOW CONTROL DISK 35 GPM	020	082	•	
1	CC112	1040755	FLOW CONTROL DISK 40 GPM	020	082	•	
1	CD101	1040756	FLOW CONTROL INSERT 05 GPM BLUE	020	083	•	
2	CD102	1040757	FLOW CONTROL INSERT 06 GPM RED	020	083	•	
2	CD103	1040758	FLOW CONTROL INSERT 07 GPM LIGHT BROWN	020	083	•	
2	CD104	1040759	FLOW CONTROL INSERT 08 GPM GREEN	020	083	•	
2	CD105	1040760	FLOW CONTROL INSERT 09 GPM LIGHT BROWN WHITE MARKED	020	083	•	
2	CD106	1040761	GOMMINO FLOW CONTROL 10 GPM BRICK RED	020	083	•	
2	CD107	1040763	BLANK FLOW CONTROL INSERT BLACK	020	083	•	
2	CD180		DLFC INSERTS KIT	020	083	•	
3	CD108	1040762	FLOW CONTROL DISC WITH O-RING	020	083	•	



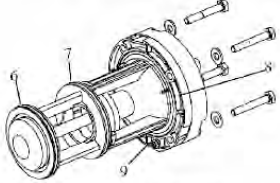
MAGNUM CARTRIDGES PARTS LIST



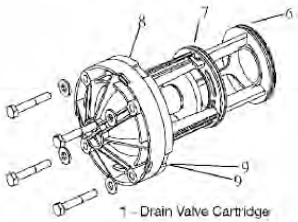
2 - Rinse Valve Cartridge



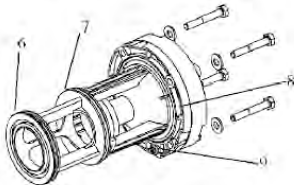
4 - Hard Water Bypass Cap



5 - Inlet Valve Cartridge



1 - Drain Valve Cartridge

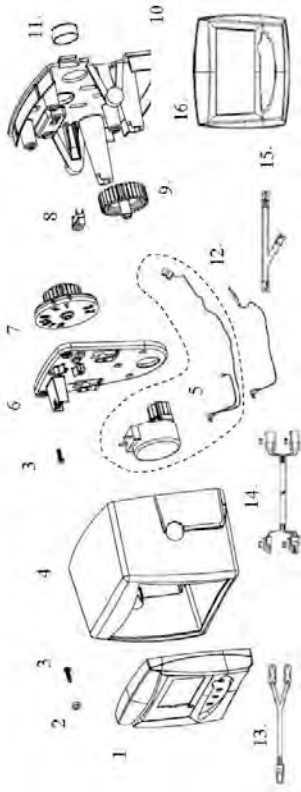


3 - No Hard Water Bypass Valve Cartridge

Numero	Ref	P.N.	Description	Fam.	Subfam.	Disp. Stock	
1-3	CD111	1000366	DRAIN VALVE/NO HARD WATER BYPASS VALVE CARTRIDGE	020	083	•	
2	CD112	1000365	RINSE VALVE CARTRIDGE	020	083	•	
4	CD114	1000336	HARD WATER BYPASS CAP	020	083	•	
5	CD113	1000317	INLET VALVE CARTRIDGE	020	083	•	
6	CD118	1010157	O RING # 6 P/N 1010157	020	083	•	
7	CD119	1010158	O RING # 7 P/N 1010158	020	083	•	
8	CD120	3030497	O RING # 8 P/N 3030497	020	083	•	
9	CD124	1010116	O RING # 9 P/N 3030531	020	083	•	
N.Visual.	CD116	1040690	O-RING KIT FOR HARD WATER BYPASS CAP P/N 1040690	020	083	•	
N.Visual.	CD115	1040689	O-RING KIT P/N 1040689	020	083	•	



SERIES MAGUM 700 TIMER LIST



Numero	Ref	P.N.	Description	Fam.	Subfam.	Disp. Stock	
1	AW512E		TIMER 742C W/CHECK SALT 12V 50/60HZ SYMBOL	010	064	•	
1	AW515E		TIMER 762C W/CHECK SALT 12V 50/60HZ SYMBOL	010	064	•	
1	AW518E		TIMER 742F W/CHECK SALT 12V 50/60HZ SYMBOL	010	064	•	
1	AW525E		TIMER 762F W/CHECK SALT 12V 50/60HZ SYMBOL	010	064	•	
1	AW505E		TIMER 764C W/CHECK SALT 12V 50/60HZ SYMBOL	010	064	•	
2	CD138	3030921	LOGIX MAGNUM CONTROL MECH. ASSEMBLY 293-298 P/N 1233809	020	083		
3	CD136	3030001	NUT P/N 3030001	020	083	•	
4	CD137	1262674	TIMER COVER 293-298 P/N 1262674	020	083		
5	AW126	1238861	MOTOR W/SPACER AND PINION AND CABLE SERIES 700 P/N 1238861	010	064	•	
7	CD139	1262581	DRIVE GEAR LOGIX MAGNUM CONTROL	020	083		
8	AW129	1235373	OPTIC SENSOR P/N 1235373	010	064	•	
9	CD128	1262672	IDLE GEAR LOGIX MAGNUM CONTROL	020	083	•	
12	CD131	1266722	TURBINE CABLE LOGIX LG=0.8 M	020	083	•	
12	CD132	1266723	TURBINE CABLE LOGIX LG=3 M	020	083	•	
12	CD133	1266724	TURBINE CABLE LOGIX LG=7,5 M	020	083		
13	AW365	3016715	Y CABLE 4 PIN TURBINE SENSOR P/N 3016715	010	064	•	
14	AW366	3016775	INTERCONNECTION CABLE LOGIX TWIN LG 3 M P/N 3016775	010	064	•	
15	AW367	3020228	START/LOCKOUT CABLE 3 PIN MULTI TANK P/N 3020228	010	064	•	
16	AW504	1254886	SLAVE CONTROLLER P/N 1254886	010	064	•	
Non visual.	CD138	1233809	LOGIX MAGNUM CONTROL MECH. ASSEMBLY 293-298 P/N 1233809	020	083		
Non visual.	AW500	1000814	EUROPEAN TRANSFORMER 230/12V	010	064	•	
Non visual.	AW501	1000813	BRITISH TRANSFORMER	010	064	•	
Non visual.	AV036	1263718	KIT REMOTE LOGIX CONTROL W/CABLE LG.32 P/N 1263718	010	062		
Non visual.	AV036A	1256257	KIT REMOTE LOGIX CONTROL W/TERMINAL BLOCKS P/N 1256257	010	062		
Non visual.	AV023A	1239979	4 PIN CONNECTOR CABLE START 700 SERIES	010	062	•	

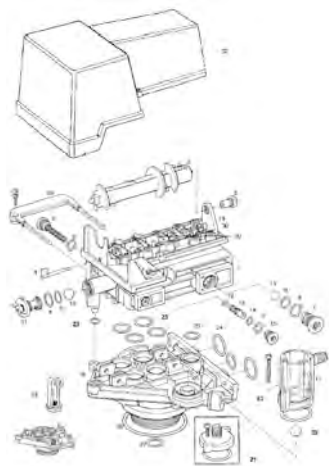


PARTS LIST VALVE 255 D.I.

Numero	Ref	P.N.	Description	Fam.	Subfam.	Disp. Stock	
N.Visual.	AW030	1030933	BACWASH BALL 155 DEMI	010	064	•	
N.Visual.	AW040	1033441	CAP 255 DI P/N 1033442	010	064	•	
N.Visual.	AW041	1034117	INJECTOR A 255 DI P/N 1034117	010	064	•	
N.Visual.	AW042	1034118	INJECTOR B 255 DI P/N 1034118	010	064	•	
N.Visual.	AW043	1034119	INJECTOR C 255 DI P/N 1034119	010	064	•	
N.Visual.	AW044	1033437	BACKWASH 08 255DI P/N 1033437	010	064	•	
N.Visual.	AW045	1033438	BACKWASH 09 255 DI P/N 1033438	010	064	•	
N.Visual.	AW046	1033439	BACKWASH 10 255DI P/N 1033439	010	064	•	
N.Visual.	AW047	1033440	BACKWASH 12 255DI P/N 1033440	010	064	•	
N.Visual.	AW048	1034110	CHECK VALVE 255 DI	010	064	•	
N.Visual.	AW049EP	1034185	EPDM O-RING SET FOR 255 DI VALVE TOP/BOTTOM COUPLING*	010	064	•	
N.Visual.	AW050EP	1033268	KIT OR EPDM 255 DI*	010	064	•	



PARTS LIST VALVE 155



Numero	Ref	P.N.	Description	Fam.	Subfam.	Disp. Stock	
2	AW150	1031950	STANDARD CAMSHAFT ONE PIECE	010	064		
2	AW152	1033025	CANSHAFT XS-LR EXTRA SALT	010	064		
2	AW153	1033026	CAMSHAFT LONG RINSE	010	064		
3	AW146A	1030501	CAMSHAFT BEARING FOR COVER Lid NEW STYLE	010	064		
4	AW185	1031391	TIMER LOCKING PIN	010	064	•	
7	AW014	1000208	REG.CONTROLAVAGGIO 06 CON O-RING	010	064	•	
7	AW100	1000209	BACKWASH CONTROL 07 WITH O-RING	010	064	•	
7	AW101	1000210	BACKWASH CONTROL 08 WITH O-RING	010	064	•	
7	AW102	1000211	BACKWASH CONTROL 09 WITH O-RING	010	064	•	
7	AW103	1000212	BACKWASH CONTROL 10 WITH O-RING	010	064	•	
7	AW104	1000213	BACKWASH CONTROL 12 WITH O-RING	010	064	•	
7	AW105	1000214	BACKWASH CONTROL 13 WITH O-RING	010	064	•	
10	AW139	1030502	FLOW CONTROL BALL	010	064	•	
11	AW110	1034261	BRINE REFILL CONTROL 10 Lbs	010	064	•	
11	AW111	1034263	BRINE REFILL CONTROL 19 Lbs	010	064	•	
12	AW130	1032970	INJECTOR A WHITE WITH O-RING	010	064	•	
12	AW131	1032971	INJECTOR B BLUE WITH O-RING	010	064	•	
12	AW132	1032972	INJECTOR C RED WITH O-RING	010	064	•	
16	AW170	1033784	ADAPTER PRESSURE VESSEL 2.1/2" FOR TUBE 1.05"	010	064	•	
17	AW190	1032417	KIT AIR-CHECK 1/4" MALE	010	064	•	
20	AW025	1033013	VALVE DISCS KIT FOR 155-163-168	010	064	•	
21	AW191	1033066	NEW TO OLD AIR CHECK ADAPTER	010	064	•	
22	AW140	1030528	AIR-CHECK BALL	010	064	•	
23	AW195	1001404	O-RING SET FOR 255 VALVE TOP/BOTTOM COUPLING	010	064	•	
24	AW196	1040459	O-RING SET*	010	064	•	
25	AW175		INOX SCREW 8-32 UNC LG. 75mm	010	064	•	
N.Visual.	AW197		O-RING SET W/SCREWS AND NUTS*	010	064	•	
26	AW172	3029969	O-RING ADAPTER FOR PRESSURE VESSEL 2.1/2"	010	064	•	
27	AW169	3030918	O-RING 1.05"	010	064	•	
28	AW173	1031405	LOCKING BAR	010	064	•	
29	AW174	3030450	TOP PLATE SCREW NO 8x9/16"	010	064	•	
30	AW181	1001580	VALVE DISC SPRING	010	064	•	



Autotrol Valves Series 255 Accessories



Bypass Kits 256: with gaskets, brass adapters, screws and nuts.

Ref	Description	Fam.	Subfam.	Disp. Stock	
AV028	BY-PASS 256 KIT BRASS 3/4" GAS*	010	062	•	
AV029	BY-PASS 256 KIT BRASS 1" GAS*	010	062	•	

Ref	Description	Connections in/out	Drain line
AV028	BY-PASS 256 KIT BRASS 3/4" GAS*	3/4"	1/2"
AV029	BY-PASS 256 KIT BRASS 1" GAS*	1"	1/2"

Box: WxLxH	Box: Q.ty	Box: Weight	Pallet: WxLxH	Pallet: Q.ty	Pallet: Weight



Female manifold kits: with o-rings, screws and nuts.

Ref	Description	Fam.	Subfam.	Disp. Stock	
AV013	MANIFOLD KIT NORYL FEMALE 3/4" BSPT*	010	062	•	
AV010	MANIFOLD KIT BRASS FEMALE 3/4" GAS*	010	062	•	
AV011	MANIFOLD KIT BRASS FEMALE 1" GAS*	010	062	•	

Ref	Description	Connections In/Out	Drain line	Material
AV013	MANIFOLD KIT NORYL FEMALE 3/4" BSPT*	3/4"	1/2"	Noryl
AV010	MANIFOLD KIT BRASS FEMALE 3/4" GAS*	3/4"	3/8"	Brass
AV011	MANIFOLD KIT BRASS FEMALE 1" GAS*	1"	1/2"	Brass

Box: WxLxH	Box: Q.ty	Box: Weight	Pallet: WxLxH	Pallet: Q.ty	Pallet: Weight



Female mixing manifold kits : with o-rings, screws and nuts.

Ref	Description	Fam.	Subfam.	Disp. Stock	
AV007	MANIFOLD KIT 3/4" GAS BRASS MIXER*	010	062	•	
AV012	MANIFOLD KIT BRASS FEMALE 1" GAS MIXER*	010	062	•	

Ref	Description	Connections in/out	Drain line	Material
AV007	MANIFOLD KIT 3/4" GAS BRASS MIXER*	3/4"	3/8"	Brass
AV012	MANIFOLD KIT BRASS FEMALE 1" GAS MIXER*	1"	1/2"	Brass

Box: WxLxH	Box: Q.ty	Box: Weight	Pallet: WxLxH	Pallet: Q.ty	Pallet: Weight



Autotrol Valves Series 255 Accessories



Male manifold kits

- in plastic material Noryl;
- with o-rings, screws and nuts.

Ref	Description	Fam.	Subfam.	Disp. Stock	
AV001	MANIFOLD 3/4" MALE WITH TURBINE P/N 1234260	010	062	•	
AV001A	MANIFOLD 255 3/4" BSP MALE NORYL + KIT P/N 1234256	010	062	•	
AV022	MANIFOLD 1" MALE WITH TURBINE + KIT P/N 1234259	010	062	•	
AV022A	MANIFOLD 255 1" BSP MALE NORYL + KIT P/N 1234255	010	062	•	

Ref	Description	Connections in/out	Drain line	Option
AV001	MANIFOLD 3/4" MALE WITH TURBINE P/N 1234260	3/4"	3/4"	With turbine
AV001A	MANIFOLD 255 3/4" BSP MALE NORYL + KIT P/N 1234256	3/4"	3/4"	Without turbine
AV022	MANIFOLD 1" MALE WITH TURBINE + KIT P/N 1234259	1"	1/2"	With turbine
AV022A	MANIFOLD 255 1" BSP MALE NORYL + KIT P/N 1234255	1"	1/2"	Without turbine

Box: WxLxH	Box: Q.ty	Box: Weight	Pallet: WxLxH	Pallet: Q.ty	Pallet: Weight

Slim cover for valve 255 Logix

- in plastic material.

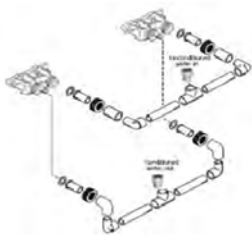


Ref	Description	Fam.	Subfam.	Disp. Stock	
AW145	255 LOGIX SLIM COVER	010	010	•	

Box: WxLxH	Box: Q.ty	Box: Weight	Pallet: WxLxH	Pallet: Q.ty	Pallet: Weight

D. 32 interconnection kit for 255/764twin residential duplex systems

- special manifold for AUTOTROL 255 valves included;
- for twin alternating and twin parallel systems



Ref	Description	Fam.	Subfam.	Disp. Stock	
AV119	INTERCONNECTION KIT 255/764 TWIN D.32 X 1" FEMALE *	010	062	•	

Quantity	Description
2	Adapter PVC-U D = 32 mm - 1"
2	Tee connection T PVC-U D = 32 mm
4	Elbow PVC-U D = 32 mm D1 = 25 mm
4	Tube PVC-U D = 32 mm
2	Elbow D = 32 mm
2	Coupling sleeve D = 32 mm
2	Manifold kit with adapter D. 32 to glue
2	256 by-pass with o-rings, screws and nuts

Box: WxLxH	Box: Q.ty	Box: Weight	Pallet: WxLxH	Pallet: Q.ty	Pallet: Weight



Autotrol Valves Series 263 - 268 - 278 Accessories

1265 bypass Kits



- special manifold for AUTOTROL valves series 263, 268 and 278;
- with gaskets, brass adapters and nuts.

Ref	Description	Fam.	Subfam.	Disp. Stock	
AV039	BY-PASS 1265 KIT BRASS 1" GAS*	010	062	•	
AV040	BY-PASS KIT 1265 BRASS 1,1/4" GAS*	010	062	•	

Ref	Description	Connections in/out
AV039	BY-PASS 1265 KIT BRASS 1" GAS*	1"
AV040	BY-PASS KIT 1265 BRASS 1,1/4" GAS*	1 ¼ "

Box: WxLxH	Box: Q.ty	Box: Weight	Pallet: WxLxH	Pallet: Q.ty	Pallet: Weight

Manifold Kits



- special manifold for AUTOTROL valves series 263, 268 and 278;
- with 2 gaskets, 2 adapters and 2 nuts.

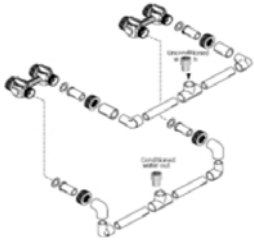
Ref	Description	Fam.	Subfam.	Disp. Stock	
AV030B	MANIFOLD KIT BRASS MALE 3/4" GAS*	010	062	•	
AV031B	MANIFOLD KIT BRASS MALE " GAS*	010	062	•	
AV032	MANIFOLD KIT PVC D,32	010	062	•	
AV038	MANIFOLD KIT BRASS MALE 1,1/4" GAS*	010	062	•	

Ref	Description	Raccordi in/out
AV030B	MANIFOLD KIT BRASS MALE 3/4" GAS*	¾
AV031B	MANIFOLD KIT BRASS MALE " GAS*	1"
AV032	MANIFOLD KIT PVC D,32	D.32
AV038	MANIFOLD KIT BRASS MALE 1,1/4" GAS*	1¼"

Box: WxLxH	Box: Q.ty	Box: Weight	Pallet: WxLxH	Pallet: Q.ty	Pallet: Weight



Autotrol Valves Series 278 Accessories



Kit di intercollegamento D. 32 per sistemi duplex residenziali 278/764 twin

- special manifold for AUTOTROL 278 valves included;
- for twin alternating and twin parallel systems;
- with IN/OUT connection D.32;

Ref	Description	Fam.	Subfam.	Disp. Stock	
AV128	INTERCONNECTION KIT 278/764 TWIN D.32 X 1" FEMALE *	010	062	•	

Quantity	Description
2	Adapter PVC-U D = 32 mm - 1"
2	Tee connection T PVC-U D = 32 mm
4	Elbow PVC-U D = 32 mm D1 = 25 mm
4	Tube PVC-U D = 32 mm
2	Elbow D = 32 mm
2	Coupling sleeve D = 32 mm
2	Manifold kit with adapter D. 32 to glue
2	1265 by-pass with o-rings, screws and nuts

Box: WxLxH	Box: Q.ty	Box: Weight	Pallet: WxLxH	Pallet: Q.ty	Pallet: Weight



D.40 interconnection kit for 278/764twin residential duplex systems

- special manifold for AUTOTROL 278 valves included;
- for twin alternating and twin parallel systems;
- with IN/OUT connection D.40;

Ref	Description	Fam.	Subfam.	Disp. Stock	
AV129	INTERCONNECTION KIT 278/764 TWIN D.40 X 1" 1/4 FEMALE *	010	062	•	

Quantity	Description
2	Adapter PVC-U D = 40 mm - 1 1/4"
2	Tee connection T PVC-U D = 40 mm
4	Reducing socket PVC-U D = 40 mm D2 = 32 mm
4	Elbow PVC-U D = 32 mm D1 = 25 mm
4	Tube PVC-U D = 32 mm
2	Elbow D = 32 mm
2	Coupling sleeve D = 32 mm
2	Manifold kit with adapter D. 32 to glue
2	1265 by-pass with o-rings, screws and nuts

Box: WxLxH	Box: Q.ty	Box: Weight	Pallet: WxLxH	Pallet: Q.ty	Pallet: Weight



Autotrol Valves Magnum Accessories

Magnum side mounting adapters

- in PVC material



Ref	Description	Fam.	Subfam.	Disp. Stock	
CC084	SIDE MOUNT ADAPTER PVC 2" BSPT FEMALE	020	082	•	
CC084A	MAGNUM SIDE MOUNT ADAPTER PVC D.63 MALE TO GLUE	020	082	•	

Box: WxLxH	Box: Q.ty	Box: Weight	Pallet: WxLxH	Pallet: Q.ty	Pallet: Weight



Manifold kits

- with 3 nuts, 3 gaskets and 3 adapters.

Ref	Description	Fam.	Subfam.	Disp. Stock	
CC080	MAGNUM 1,5" STAINLESS STEEL ADAPTER KIT BSPT	020	082	•	
CC081	MAGNUM 2" PVC D.50 MM ADAPTER KIT	020	082	•	
CC082	MAGNUM 2" STAINLESS STEEL ADAPTER KIT BSPT	020	082	•	
CC083	MAGNUM 2" PVC D.63 MM ADAPTER KIT	020	082	•	

Ref	Description	in/out Connection	For autotrol valve
CC080	MAGNUM 1,5" STAINLESS STEEL ADAPTER KIT BSPT	1½"BSPT	Magnum cv 1,5" series
CC081	MAGNUM 2" PVC D.50 MM ADAPTER KIT	D.50	Magnum cv 1,5" series
CC082	MAGNUM 2" STAINLESS STEEL ADAPTER KIT BSPT	2" BSPT	Magnum it 2" series
CC083	MAGNUM 2" PVC D.63 MM ADAPTER KIT	D.63	Magnum it 2" series

Box: WxLxH	Box: Q.ty	Box: Weight	Pallet: WxLxH	Pallet: Q.ty	Pallet: Weight



Autotrol Valves Magnum Accessories



D.25 NPT 3/4" Pipe Union

- Suitable for brine line connection of the Magnum valves, alone or in coupling with a bonding hose connection (REF. CC086);
- In PVC-U.

Ref	Description	Fam.	Subfam.	Disp. Stock	
CC085	UNION D.25 NPT 3/4" PVC-U	020	082	•	

Box: WxLxH	Box: Q.ty	Box: Weight	Pallet: WxLxH	Pallet: Q.ty	Pallet: Weight



D.25 Drain Fitting to glue

- Suitable for brine line connection of the Magnum valves, in coupling with D.25 NPT 3/4" pipe union (REF. CC085);
- In PVC-U.

Ref	Description	Fam.	Subfam.	Disp. Stock	
CC086	HOSE CONNECTION D.25 PVC-U TO GLUE	020	082	•	

Box: WxLxH	Box: Q.ty	Box: Weight	Pallet: WxLxH	Pallet: Q.ty	Pallet: Weight

Valves Accessories

Blending kit for Autotrol valves

- kit of nut and screw to install on 255 and 268 valves for blending of hard and softened water;
- insert the nut into the blending valve orifice located near the bypass flapper (fig.1).
Insert the screw through the top plate and the nut, and the screw until it touch the bypass flapper (fig.2);
- tightening the screw will force the bypass flapper open witch will blend hard water into the softened water supply (fig. 3).
Loosening the screw will allow the bypass flapper to close reducing the blending;
- test the water and adjust the screw until the desired hardness level is reached.

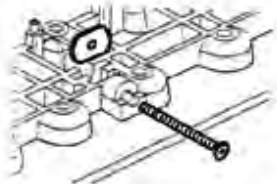


Fig. 1

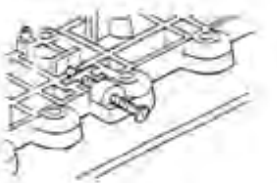


Fig. 2

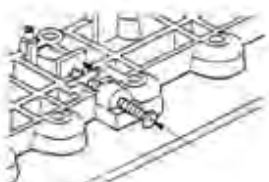


Fig. 3

Ref	Description	Fam.	Subfam.	Disp. Stock	
AV037	BLENDED KIT SCREW FOR 700 SERIES AND 255/400 NEW STYLE	010	062	•	
AV185	MIXING VALVE FOR 366-368 VALVE	010	062	•	

Box: WxLxH	Box: Q.ty	Box: Weight	Pallet: WxLxH	Pallet: Q.ty	Pallet: Weight



Valves Accessories

Twist lock upper screens



- in ABS;
- max diameter 60 mm, length 64 mm;
- slots 0,3 mm.

Ref	Description	Fam.	Subfam.	Disp. Stock	
AV070	UPPER SCREEN 13/16" BAJONET FOR 255	010	062	•	
AV071	UPPER SCREEN 1.05" BAJONET FOR 255,263,268,278	010	062	•	

Box: WxLxH	Box: Q.ty	Box: Weight	Pallet: WxLxH	Pallet: Q.ty	Pallet: Weight

Certificates	Manufacturer	Sectors
DM174-2004		Domestic

Upper screen



- in ABS;
- max diameter 60 mm, length 64 mm;
- slots 0,3 mm.

Ref	Description	Fam.	Subfam.	Disp. Stock	
AV073	UPPER SCREEN 1.05" FOR 163-168	010	062	•	

Box: WxLxH	Box: Q.ty	Box: Weight	Pallet: WxLxH	Pallet: Q.ty	Pallet: Weight

Certificates	Manufacturer	Sectors
DM174-2004		Domestic

Upper screens to glue



- in ABS;
- diameter 88 mm;
- slots 0,3 mm.

Ref	Description	Fam.	Subfam.	Disp. Stock	
CF010	UPPER SCREEN D.41.8 MM	020	087	•	
CF013	UPPER SCREEN VALVE 180 DIA 48.3 MM	020	087	•	
CC050	UPPER SCREEN 48.3 MM	020	082	•	
PV407	UPPER SCREEN FOR 4" ADAPTER 1.1/4" TUBE	050	241	•	

Ref	Lenght (mm)	For tube (mm)	For autotrol valve
CF010	98	41,8 (1¼ ")	180 old model
CF013	98	48,3	180 new model
CC050	150	48,3	Magnum
PV407	150	41,8 (1¼ ")	Adapter 4"-PV402

Box: WxLxH	Box: Q.ty	Box: Weight	Pallet: WxLxH	Pallet: Q.ty	Pallet: Weight

Certificates	Manufacturer	Sectors
DM174-2004		Domestic, Commercial, Industrial



Valves Accessories



Fittings for valves

- Jaco Style elbow fittings for 3/8" tubing;
- material PP.

Ref	Description	Fam.	Subfam.	Disp. Stock	
AV150	ELBOW FITTING AIR-CHECK 1/4" FEMALE	010	062	•	
AV154	ELBOW FITTING 1/4" FEMALE	010	062	•	

Ref	Description	For autotrol valve
AV150	ELBOW FITTING AIR-CHECK 1/4" FEMALE	255
AV154	ELBOW FITTING 1/4" FEMALE	268-366-368

Certificates	Manufacturer	Sectors
		Domestic



Fittings for valves

- Jaco Style straight fittings for 3/8" tubing;
- material PP.

Ref	Description	Fam.	Subfam.	Disp. Stock	
AV161	STRIGHT FITTING 1/8" MALE JC 10-6-2 PPG	010	062	•	
AV152	STRAIGHT FITTING 1/4" MALE	010	062	•	
AV153	STRAIGHT FITTING 3/8" MALE	010	062	•	

Certificates	Manufacturer	Sectors
		Domestic



Fittings for valves

- Jaco Style elbow fittings for 3/8" tubing;
- material PP.

Ref	Description	Fam.	Subfam.	Disp. Stock	
AV151	ELBOW FITTING AIR-CHECK 1/4" MALE	010	062	•	
AV159	ELBOW FITTING 3/8" MALE	010	062	•	

Ref	Description	For Autotrol valve
AV151	ELBOW FITTING AIR-CHECK 1/4" MALE	155
AV159	ELBOW FITTING 3/8" MALE	

Certificates	Manufacturer	Sectors
		Domestic



Valves Accessories

Fittings for valves

- Jaco Style bulkhead union for 3/8" tubing;
- material PP.



Ref	Description	Fam.	Subfam.	Disp. Stock	
AV156	BULKHEAD UNION 3/8"	010	062	•	

Certificates	Manufacturer	Sectors
		Domestic

Fittings for valves

- Jaco Style union elbow for 3/8" tubing;
- material PP.



Ref	Description	Fam.	Subfam.	Disp. Stock	
AV155	ELBOW FITTING UNION 3/8"	010	062	•	

Certificates	Manufacturer	Sectors
		Domestic

Fittings for valves

- Jaco Style union TEE for 3/8" tubing;
- material PP.



Ref	Description	Fam.	Subfam.	Disp. Stock	
AV158	UNION TEE 3/8" UNION	010	062	•	

Certificates	Manufacturer	Sectors
		Domestic

Straight drain fittings

- suitable for flexible hose 12,7 mm internal diameter;
- material nylon.



Ref	Description	Fam.	Subfam.	Disp. Stock	
AV170	STRAIGHT DRAIN FITTING 3/8" M	010	062	•	
AV171	STRAIGHT DRAIN FITTING 1/2" M	010	062	•	
AV169	STRAIGHT DRAIN FITTING 1/2" FX16	010	062	•	

Certificates	Manufacturer	Sectors
		Domestic



Elbowed drain fittings

- suitable for flexible hose 12,7 mm internal diameter;
- material nylon / polyethylene.

Ref	Description	Fam.	Subfam.	Disp. Stock	
AV172	ELBOW DRAIN FITTING 3/8" M	010	062	•	
AV173	ELBOW DRAIN FITTING 1/2" M	010	062	•	
AV174	ELBOW DRAIN FITTING 1/2" F	010	062	•	
AV175	ELBOW DRAIN FITTING 3/4" F	010	062	•	

Certificates	Manufacturer	Sectors
		Domestic



Overflow elbows with nut

- material nylon.

Ref	Description	Fam.	Subfam.	Disp. Stock	
AV180	OVERFLOW ELBOW 3/8"	010	062	•	
AV181	OVERFLOW ELBOW 1/2"	010	062	•	

Ref	Description	For hose int. ø (mm)
AV180	OVERFLOW ELBOW 3/8"	12,7
AV181	OVERFLOW ELBOW 1/2"	15,5

Certificates	Manufacturer	Sectors
		Domestic



Valves Accessories

Pvc tubes to glue

- for lower diffusers and lower lateral systems;
- to glue;
- in PVC.

Ref	Description	Fam.	Subfam.	Disp. Stock	
AV083	PVC TUBE 13/16" OD L=35"	010	062	•	
AV084	PVC TUBE 13/16" OD L=55"	010	062	•	
AV087	PVC TUBE 1.05" OD L=72"	010	062	•	
AV632	PVC TUBE DIA. 32 MM LG. 2000 MM	022	940	•	
CF012	PVC TUBE D.41.8 L=2000 MM.	020	087	•	
CC052	PVC TUBE DIA 48.3 MM LG. 2000 MM	020	082	•	
CF050	PVC TUBE DIA. 50 MM LG. 2000 MM	022	970	•	
CF063	PVC TUBE DIA. 63 MM LG. 2000 MM	022	970	•	

Ref	Description	Ø (inch)	Ø (mm)	Length. (mm)
AV083	PVC TUBE 13/16" OD L=35"	13/16"	20,6	890
AV084	PVC TUBE 13/16" OD L=55"	13/16"	20,6	1400
AV087	PVC TUBE 1.05" OD L=72"	1,05"	26,7	1830
AV632	PVC TUBE DIA. 32 MM LG. 2000 MM	D32	32,0	2000
CF012	PVC TUBE D.41.8 L=2000 MM.	1¼"	41,8	2000
CC052	PVC TUBE DIA 48.3 MM LG. 2000 MM	1,90"	48,3	2000
CF050	PVC TUBE DIA. 50 MM LG. 2000 MM	D50	50,0	2000
CF063	PVC TUBE DIA. 63 MM LG. 2000 MM	D63	63,0	2000

Certificates	Manufacturer	Sectors
DM174-2004		Domestic, Commercial, Industrial

Diffusors with tube

- 1,05" hi-flow lower diffuser;
- PVC tube included;
- slots 0,3 mm.

Ref	Description	Fam.	Subfam.	Disp. Stock	
AV116M	RISER TUBE WITH DIFFUSER 1.05" L=17"	010	062	•	
AV117M	RISER TUBE WITH DIFFUSER 1.05" L=35"	010	062	•	
AV103M	RISER TUBE WITH DIFFUSER 1.05" L=55"	010	062	•	
AV104M	RISER TUBE WITH DIFFUSER 1.05" HIGH FLOW L=72"	010	062	•	

Ref	Description	Tube length (inch)
AV116M	RISER TUBE WITH DIFFUSER 1.05" L=17"	17"
AV117M	RISER TUBE WITH DIFFUSER 1.05" L=35"	35"
AV103M	RISER TUBE WITH DIFFUSER 1.05" L=55"	55"
AV104M	RISER TUBE WITH DIFFUSER 1.05" HIGH FLOW L=72"	72"

Certificates	Manufacturer	Sectors
		Domestic





Valves Accessories

Lower diffusors to glue

- lower diffusors in ABS;
- max diameter 60 mm;
- slots 0,3 mm;
- connection to glue.



Ref	Description	Fam.	Subfam.	Disp. Stock
AV098	LOWER DIFFUSER CONIC 13/16	010	062	•
AV098A	LOWER DIFFUSER CONIC 1.05"	010	062	•
AV097	LOWER DIFFUSER 1.05"	010	062	•

Ref	Height (mm)	Flow (lpm) Δp 30 mbar
AV098	70	24
AV098A	80	32
AV097	90 high flow	40

Certificates	Manufacturer	Sectors
		Domestic

Cylindrical lower diffusors

- cylindrical lower diffuser in ABS, diameter 88 mm;
- slots 0,3 mm;
- connection to glue.



Ref	Description	Fam.	Subfam.	Disp. Stock
PV315	CYLINDRICAL LOWER DIFFUSER D. 1,05*	010	062	•
CF011	CYLINDRICAL LOWER DIFFUSER DIA. 41,8	020	087	•
CF014	CYLINDRICAL LOWER DIFFUSER DIA. 48,3 MM TO GLUE	020	087	•
CC051	CYLINDRICAL LOWER DIFFUSER DIA. 48,3 MM	020	082	•

Item	Ref	Length. (mm)	Ø For tube (mm)	For Autotrol valve
1	PV315	72	26,7 (1,05")	PERFORMA
1	CF011	98	41,8 (1¼")	180 old type-PV402
1	CF014	98	48,3	180 new type
2	CC051	150	48,3	Magnum

Certificates	Manufacturer	Sectors
DM174-2004		Commercial, Industrial

Segmented lower diffusors

- segmented lower diffuser in ABS;
- diameter 66 mm;
- slots 0,3 mm;
- to glue on tube 1,05";
- flow = 50 lpm Δp 30 mbar.



Ref	Description	Fam.	Subfam.	Disp. Stock
AV099A	SEGMENTED LOWER DIFFUSER 1.05"	010	062	•
AV099C	SEGMENTED LOWER DIFFUSER D.32 mm	010	062	•

Ref	Length. (mm)	Ø For tube (mm)
AV099A	102	26,7 (1,05")
AV099C	98,5	32



Valves Accessories

Lower lateral systems for top mounted valves

- For top mounted valves;
- ABS material;
- With 8 laterals (threaded connection) slots 0,3 mm;
- Hub connection to glue.



Ref	Description	Fam.	Subfam.	Disp. Stock	
PV316	LOWER THREADED LATERAL DIFFUSER FOR 263-268-278 14"-16"	010	062	•	
PV317	LOWER THREADED LATERAL DIFFUSER FOR 263-268-278 18"-21"-24"	010	062	•	
PV318	LOWER THREADED LATERAL DIFFUSER FOR PV402 ADAPTER 14"-16"	020	087	•	
PV319	LOWER THREADED LATERAL DIFFUSER FOR PV402 ADAPTER 18"-21"-24"	020	087	•	
PV320	LOWER THREADED LATERAL DIFFUSER FOR MAGNUM 14"-16"	020	082	•	
PV321	LOWER THREADED LATERAL DIFFUSER FOR MAGNUM 18"-21"-24"	020	082	•	
PV322	LOWER THREADED LATERAL DIFFUSER FOR MAGNUM 30"	020	082	•	
PV323	LOWER THREADED LATERAL DIFFUSER FOR MAGNUM 36"	020	082	•	

Ref	Description	Ø Useful fo vessel (pollici)	Ø Hub connect for tube (mm)
PV316	LOWER THREADED LATERAL DIFFUSER FOR 263-268-278 14"-16"	14"-16"	26,7 (1,05")
PV317	LOWER THREADED LATERAL DIFFUSER FOR 263-268-278 18"-21"-24"	18"-21"-24"	26,7 (1,05")
PV318	LOWER THREADED LATERAL DIFFUSER FOR PV402 ADAPTER 14"-16"	14"-16"	41,8 (1¼")
PV319	LOWER THREADED LATERAL DIFFUSER FOR PV402 ADAPTER 18"-21"-24"	18"-21"-24"	41,8 (1¼")
PV320	LOWER THREADED LATERAL DIFFUSER FOR MAGNUM 14"-16"	14"-16"	48,3 (1,90")
PV321	LOWER THREADED LATERAL DIFFUSER FOR MAGNUM 18"-21"-24"	18"-21"-24"	48,3 (1,90")
PV322	LOWER THREADED LATERAL DIFFUSER FOR MAGNUM 30"	30"	48,3 (1,90")
PV323	LOWER THREADED LATERAL DIFFUSER FOR MAGNUM 36"	36"	48,3 (1,90")

Box: WxLxH	Box: Q.ty	Box: Weight	Pallet: WxLxH	Pallet: Q.ty	Pallet: Weight

Certificates	Manufacturer	Sectors
		Commercial, Industrial



Lower lateral systems for top mounted valves

- For top mounted valves;
- ABS material;
- With 6 twist lock laterals, slots 0,25 mm;
- Hub connection to glue.

Ref	Description	Fam.	Subfam.	Disp. Stock	
PV316B	TWIST LOCK LOWER LATERAL DIFFUSER FOR 263-268-278 14-16"	010	062	•	
PV317B	TWIST LOCK LOWER LATERAL DIFFUSER FOR 263-268-278 18-21-24"	010	062	•	
PV318B	TWIST LOCK LOWER LATERAL DIFFUSER FOR PV102 14-16"	010	062	•	
PV319B	TWIST LOCK LOWER LATERAL DIFFUSER FOR PV102 18-21-24"	010	062	•	
PV320B	TWIST LOCK LOWER LATERAL DIFFUSER FOR MAGNUM 14-16"	010	062	•	
PV321B	TWIST LOCK LOWER LATERAL DIFFUSER FOR MAGNUM 18-21-24"	010	062	•	
PV322B	TWIST LOCK LOWER LATERAL DIFFUSER FOR MAGNUM 30"	010	062	•	
PV323B	TWIST LOCK LOWER LATERAL DIFFUSER FOR MAGNUM 36"	010	062	•	
PV320B50	TWIST LOCK LOWER LATERAL DIFFUSER FOR D.50 TUBE 14-16"	010	062	•	
PV321B50	TWIST LOCK LOWER LATERAL DIFFUSER FOR D.50 TUBE 18-21-24"	010	062	•	
PV322B50	TWIST LOCK LOWER LATERAL DIFFUSER FOR D.50 TUBE 30"	010	082	•	
PV323B50	TWIST LOCK LOWER LATERAL DIFFUSER FOR D.50 TUBE 36"	010	082	•	

Ref	Ø Useful for vessels (inch)	Ø Hub connect for tube (mm)	Ø D (mm)	For Autotrol valve
PV316B	14"-16"	26,7 (1,05")	260	PERFORMA
PV317B	18"-21"-24"	26,7 (1,05")	373	PERFORMA
PV318B	14"-16"	41,8 (1¼")	260	PV402
PV319B	18"-21"-24"	41,8 (1¼")	373	PV402
PV320B	14"-16"	48,3 (1,90")	260	MAGNUM
PV321B	18"-21"-24"	48,3 (1,90")	373	MAGNUM
PV322B	30"	48,3 (1,90")	563	MAGNUM
PV323B	36"	48,3 (1,90")	705	MAGNUM
PV320B50	14"-16"	50 (2")	260	
PV321B50	18"-21"-24"	50 (2")	373	
PV322B50	30"	50 (2")	563	
PV323B50	36"	50 (2")	705	

Box: WxLxH	Box: Q.ty	Box: Weight	Pallet: WxLxH	Pallet: Q.ty	Pallet: Weight

Certificates	Manufacturer	Sectors
		Commercial, Industrial



Valves Accessories

Diffusor for brine draw

- connection for rigid or flexible tube 3/8".



Ref	Description	Fam.	Subfam.	Disp. Stock	
AV118	DIFFUSER FORE BRINE TUBE 3/8" OD	010	062	•	
Box: WxLxH	Box: Q.ty	Box: Weight	Pallet: WxLxH	Pallet: Q.ty	Pallet: Weight
Certificates		Manufacturer	Sectors		
			Domestic		

Mesh type screen with tube

- mesh type screen for brine complete with 3/8" PVC tube length 42".



Ref	Description	Fam.	Subfam.	Disp. Stock	
AV090M	MESH TYPE SCREEN W/TUBE 3/8" L=42*	010	062	•	
Box: WxLxH	Box: Q.ty	Box: Weight	Pallet: WxLxH	Pallet: Q.ty	Pallet: Weight
Certificates		Manufacturer	Sectors		
			Domestic		

Mesh type screen for brine

- For 3/8" tube to glue.



Ref	Description	Fam.	Subfam.	Disp. Stock	
AV075	MESH TYPE SCREEN FOR BRINE 3/8" OD	010	062	•	
Box: WxLxH	Box: Q.ty	Box: Weight	Pallet: WxLxH	Pallet: Q.ty	Pallet: Weight
Certificates		Manufacturer	Sectors		
			Domestic		



Valves Accessories



Polyethylene flexible tube

- flexible tube 3/8" (= 9,52 mm) diameter;
- transparent;
- hanks of 30 m.

Ref	Description	Fam.	Subfam.	Disp. Stock
AV140	POLYETILENE 3/8" ROLL 30 MT	010	062	•

Box: WxLxH	Box: Q.ty	Box: Weight	Pallet: WxLxH	Pallet: Q.ty	Pallet: Weight

Certificates	Manufacturer	Sectors
DM174-2004		Domestic



J-tube air-check with tube

- J-tube with air-check, complete with PVC tube.

Ref	Description	Fam.	Subfam.	Disp. Stock
AV093M	J-TUBE W/AIR CHECK 3/8" L=42"	010	062	•
CC064M	J-TUBE W/AIR CHECK 3/4" W/TUBE L=1200 MM	010	062	•

Ref	Description	Tube diameter (inch)	Lenght (mm)
AV093M	J-TUBE W/AIR CHECK 3/8" L=42"	3/8"	1060
CC064M	J-TUBE W/AIR CHECK 3/4" W/TUBE L=1200 MM	3/4"	1200

Box: WxLxH	Box: Q.ty	Box: Weight	Pallet: WxLxH	Pallet: Q.ty	Pallet: Weight

Certificates	Manufacturer	Sectors
DM174-2004		Domestic, Commercial, Industrial



Brine Valves Accessories

Model 464

- model 464 Standard version (for no timed refill controls) and High Flow (for timed refill controls);
- connection for 3/8" tubing;
- length tube 42" (1060 mm);
- length float rod 600 mm;
- brine draw rate 3,8 l/min @ 152 mm Hg vacuum;
- max operating pressure 8,5 bar 40°C;
- brine well diameter 90 mm min.

Ref	Description	Fam.	Subfam.	Disp. Stock	
AV096	BRINE VALVE KIT 464 STANDARD W/TUBE 3/8" OD X L=42"*	010	062	•	
AV125	464 HIGH FLOW BRINE VALVE WITH TUBE 3/8" OD X Lg 42"*	010	062	•	

Ref	Description	Refill flow rate (l/min) @ 3,5 bar
AV096	BRINE VALVE KIT 464 STANDARD W/TUBE 3/8" OD X L=42"*	1,3
AV125	464 HIGH FLOW BRINE VALVE WITH TUBE 3/8" OD X Lg 42"*	3,8

Box: WxLxH	Box: Q.ty	Box: Weight	Pallet: WxLxH	Pallet: Q.ty	Pallet: Weight

Certificates	Manufacturer	Sectors
		Domestic



Model 484

- complete with 3/4" tube length 1200 mm;
- length float rod 915 mm;
- refill flow rate 15 l/min @ 3,5 bar;
- brine draw rate 38 l/min @ 66 mm Hg vacuum;
- max operating pressure 8,5 bar @ 40°C;
- brine well diameter 130 mm.

Ref	Description	Fam.	Subfam.	Disp. Stock	
CC059	484 BRINE VALVE 3/4"*	020	082	•	

Box: WxLxH	Box: Q.ty	Box: Weight	Pallet: WxLxH	Pallet: Q.ty	Pallet: Weight

Certificates	Manufacturer	Sectors
		Commercial, Industrial



Model 2310

- length float rod 774 mm;
- refill flow rate 4,5 l/min;
- brine draw rate 2,1 l/min;
- max operating pressure 8,6 bar @ 40°C;
- brine well diameter 100 mm;
- without air check.

Ref	Description	Fam.	Subfam.	Disp. Stock	
FVA060067-03	SBV 2310 - BRINE VALVE WITHOUT AIR CHECK	023	590	•	

Box: WxLxH	Box: Q.ty	Box: Weight	Pallet: WxLxH	Pallet: Q.ty	Pallet: Weight

Certificates	Manufacturer	Sectors





Valves Accessories

Heads for tank



- PVC heads for tank complete with NBR o-ring;
- max operating pressure 8 bar;
- max operating temperature 25°C;
- REF. PV400 and REF. PV401 are to use with upper screen REF. AV073 and with lower diffusors on catalogue;
- REF. PV402 is to use with upper screen REF. PV407 and with lower diffusor REF. CF011.

Ref	Description	Fam.	Subfam.	Disp. Stock	
PV400	ADAPTER 2.1/2" IN/OUT 3/4" GAS F W/PLUG	050	240	•	
PV401	ADAPTER 2.1/2" IN/OUT 3/4" GAS F	050	240	•	
PV402	ADAPTER 4" IN/OUT 1.1/4"GAS F W/PLUG	050	240	•	

Ref	Option plug	Rise tube diameter	Max flow rate suggested	Fit threaded tanks
PV400	½"on outlet	1,05"	2,5 m3/h	2 ½"8NPSM
PV401	no plug	1,05"	2,5 m3/h	2 ½"8NPSM
PV402	½"on outlet	1 ¼"	6,0 m3/h	4"-8UN



- PP molded heads for tank with connection threaded 2 ½" - 8NPSM;
- complete with NBR o-ring;
- without plug;
- max operating pressure 8 bar;
- max operating temperature 45°C; it is to use with upper screen REF. AV070 and with lower diffusor REF. AV098.

Ref	Description	Fam.	Subfam.	Disp. Stock	
PV409	ADAPTER 2 1/2" MOULDED IN/OUT 3/4" NPT	050	240	•	

Ref	Riser tube diameter	Max suggested flow rate
PV409	13/16"	2,5 m3/h



Conductivity Meter Resilight

- positive, reliable and economical method of monitoring water quality via conductivity;
- bright green/red visual output easy to read;
- Green: conductivity below the threshold value;
- Red: conductivity above the threshold value;
- set point conductivity adjustable from 1,5 to 200 microsiemens;
- probe with threaded ¾" connection, probe constant K=5;
- with reduction in PVC M/F ½" x ¾";
- complete with transformer 230/5V - 50 Hz and 1,5 m cable;
- for installation on piping at system outlet, or directly on the heads REF. PV400 and REF. PV402.
- ATTENTION: or greatest accuracy it is required that the water be flowing on probe.

Ref	Description	Fam.	Subfam.	Disp. Stock	
PV425	RESILIGHT 1.5 - 200 MICROSIEMENS/CM W/CONDUCTIVITY PROBE	050	242	•	

Box: WxLxH	Box: Q.ty	Box: Weight	Pallet: WxLxH	Pallet: Q.ty	Pallet: Weight

Certificates	Manufacturer	Sectors
CE	MWG	Industrial



Valves Accessories

Chlorgen Chlorin Generator



- Positive, reliable and economical method of chlorine generation;
- n.1 Titanium Probe for chlorine generation, n.1 TEE 3/8" connection and n.2 Jaco straight fitting for 3/8" x 3/8" tube included;
- bright green/yellow visual output easy to read;
- Green: the system is on;
- Yellow: the system is working in disinfection;
- with time generation adjust;
- 230V - 50 Hz power supply and 1,8 m cable;
- Power 2 W;
- The Chlorin Generator can disinfect up to 140 litres of resin.

Ref	Description	Fam.	Subfam.	Disp. Stock	
AX210	CHLORGEN KIT W/PROBE AND FITTINGS	010	070	•	

Box: WxLxH	Box: Q.ty	Box: Weight	Pallet: WxLxH	Pallet: Q.ty	Pallet: Weight

Certificates	Manufacturer	Sectors
CE	MWG	Domestic

Chlorine generator suitable for valve 255 and Performa 268 with Logix 740/760 and 742/762 controller



- Simple, reliable and cheap disinfection device;
- Delivery includes n.1 electrode and n.1 connection cable;
- Logix 740/760 and 742/762 controllers provide to make a low chlorine level in order to sanitize resin bed during regeneration;
- Logix controller has a light check salt that indicates to end user when salt has to be added into brine tank;
- Potassium chloride or sodium chloride can be used.

Ref	Description	Fam.	Subfam.	Disp. Stock	
AX040	KIT CHLORINE GENERATOR 255/268 LOGIX	010	070	•	

Box: WxLxH	Box: Q.ty	Box: Weight	Pallet: WxLxH	Pallet: Q.ty	Pallet: Weight

Certificates	Manufacturer	Sectors
CE	Pentair	Domestic



Valves Accessories

Test kit for hardness



- Kit for hardness testing with indicator and titrant complete with test tube;
- definition 0,5 °F;
- number of tests 400°F;
- available No 6 blister of indicator 15 ml (REF. AV203) and No 6 blister of titrant 25 ml (REF. AV204).

Codici	Description	Fam.	Subfam.	Disp. Stock	
AV200	HARDNESS KIT TESTING INDICATOR + TITRANT	010	066	•	
AV203	6 BLISTERS PACK INDICATOR 15 ML	010	066	•	
AV204	6 BLISTERS PACK TITRANT 15 ML	010	066	•	

Box: WxLxH	Box: Q.ty	Box: Weight	Pallet: WxLxH	Pallet: Q.ty	Pallet: Weight

Certificates	Manufacturer	Sectors
		Domestic



- Kit for hardness testing with single reagent packaged in blister, with test tube;
- available for definition with French (REF. AV202) or German (REF. AV207) degrees.

Ref	Description	Fam.	Subfam.	Disp. Stock	
AV202	HARDNESS KIT TESTING SINGLE REAGENT 2 BLISTER	010	066	•	
AV207	HARDNESS KIT TESTING SINGLE REAGENT 2 BLISTER GERMAN	010	066	•	

Ref	Description	Definition	Number of tests
AV202	HARDNESS KIT TESTING SINGLE REAGENT 2 BLISTER	1°F	700
AV207	HARDNESS KIT TESTING SINGLE REAGENT 2 BLISTER GERMAN	1°D	600

Box: WxLxH	Box: Q.ty	Box: Weight	Pallet: WxLxH	Pallet: Q.ty	Pallet: Weight

Certificates	Manufacturer	Sectors
		Domestic



- Kit for hardness testing with single reagent packaged in blister, with test tube;
- available for definition with French (REF. AV201) or German (REF. AV206) degrees.

Ref	Description	Fam.	Subfam.	Disp. Stock	
AV201	HARDNESS KIT TESTING SINGLE REAGENT 1 BLISTER	010	066	•	
AV206	HARDNESS KIT TESTING SINGLE REAGENT 1 BLISTER GERMAN	010	066	•	

Ref	Description	Definition	Number of tests
AV201	HARDNESS KIT TESTING SINGLE REAGENT 1 BLISTER	1°F	350
AV206	HARDNESS KIT TESTING SINGLE REAGENT 1 BLISTER GERMAN	1°D	300

Box: WxLxH	Box: Q.ty	Box: Weight	Pallet: WxLxH	Pallet: Q.ty	Pallet: Weight

Certificates	Manufacturer	Sectors
		Domestic



Valves Accessories

Total chlorine kit

- Color comparison kit for Chlorine reaction;
- Ideal for water with low content of organics, like drink water.



Ref	Description	Fam.	Subfam.	Disp. Stock	
AV205	CHLORINE TESTING KIT O-TOL 0,1-1,5 PPM P/N 1011	010	066	•	

Ref	Range (ppm Cl ₂)	Test quantity
AV205	0,10-0,25-0,50-0,75-1,0-2,0	75

Box: WxLxH	Box: Q.ty	Box: Weight	Pallet: WxLxH	Pallet: Q.ty	Pallet: Weight

Chlorine DPD kit

- Color comparison kit for Chlorine reaction;
- This kit measures the free chlorine and the total chlorine. The difference is given by the combined chlorine (for water with high total organic carbon);
- IPT kits are ideal for few analyzes with discrete precision. For higher precision, we suggest the HYDROCHECK DPD (ideal for waste water, purified drinking water and swimming pool).



Ref	Description	Fam.	Subfam.	Disp. Stock	
AV208	DPD CHLORINE KIT	010	066	•	
AV220	DPD CHLORINE COLORTTEST KIT	010	066	•	

Ref	Sample	Range (ppm Cl ₂)	Test quantity
AV208	5 ml	0,1-0,2-0,3-0,4-0,5-0,75-1,0-1,5	150
AV220	I	0,1-0,2-0,3-0,4 -0,5-0,75-1,0-1,5	350
AV220	II	0,025-0,050-0,075	350

Box: WxLxH	Box: Q.ty	Box: Weight	Pallet: WxLxH	Pallet: Q.ty	Pallet: Weight

Ammoniac kit

- Color comparison kit for Ammonia reaction;
- IPT kits are ideal for few analyzes with discrete precision. For higher precision, we suggest the HYDROCHECK.



Ref	Description	Fam.	Subfam.	Disp. Stock	
AV209	AMMONIA KIT	010	066	•	
AV221	INDOPHENOL AMMONIA COLORTTEST KIT	010	066	•	

Ref	Range (ppm NH ₃)	Test quantity
AV209	0,25-0,50-0,75-1,0- ,0-8,0	200
AV221	0,0-0,10-0,25-0,5-1,0-2,0-4,0	180

Box: WxLxH	Box: Q.ty	Box: Weight	Pallet: WxLxH	Pallet: Q.ty	Pallet: Weight

Certificates	Manufacturer	Sectors
		Domestic



Valves Accessories



Iron kit

- Color comparison kit for Iron reaction;
- IPT kits are ideal for few analyzes with discrete precision. For higher precision, we suggest the HYDROCHECK HIGH.

Ref	Description	Fam.	Subfam.	Disp. Stock	
AV210	IRON KIT	010	066	•	
AV222	HIGH IRON COLORTTEST KIT	010	066	•	

Ref	Sample	Range (ppm Fe)	Test quantity
AV210	5 ml	0,25-0,50-1,0-2,0-5,0-7,5-10-15	100
AV210	20 ml	0,05-0,10-0,15-0,20	100
AV222	I	0,25-0,50-1,0-2,0-5,0-7,5-10-15	400
AV222	II	0,05-0,10-0,15-0,20	400

Box: WxLxH	Box: Q.ty	Box: Weight	Pallet: WxLxH	Pallet: Q.ty	Pallet: Weight

Certificates	Manufacturer	Sectors
		Domestic



Manganese kit

- Color comparison kit for Manganese reaction;
- IPT kits are ideal for few analyzes with discrete precision. For higher precision, we suggest the HYDROCHECK.

Ref	Description	Fam.	Subfam.	Disp. Stock	
AV211	MANGANESE KIT	010	066	•	
AV223	MANGANESE COLORTTEST KIT	010	066	•	

Ref	Sample	Range (ppm Mn)	Test quantity
AV211	5 ml	0,1-0,2-0,25-0,5-0,75-1,0-1,25-1,5	70
AV223	I	0,1-0,2-0,25-0,5-0,75-1,0-1,25-1,5	130
AV223	II	0,025-0,050-0,100	130

Box: WxLxH	Box: Q.ty	Box: Weight	Pallet: WxLxH	Pallet: Q.ty	Pallet: Weight



Accessories

Nitrate Kit

- Color comparison kit for Nitrate reaction;
- IPT kits are ideal for few analyzes with discrete precision. For higher precision, we suggest the HYDROCHECK (ideal for waste water, superficial water and drinking water).

Ref	Description	Fam.	Subfam.	Disp. Stock	
AV212	NITRATES KIT	010	066	•	
AV224	NITRATES COLORTEST KIT	010	066	•	

Ref	Range (ppm NO3)	Test quantity
AV212	10-20-40-60-80-100-120-140	50
AV224	5-10-20-40-60-80-100-120-140	100

Box: WxLxH	Box: Q.ty	Box: Weight	Pallet: WxLxH	Pallet: Q.ty	Pallet: Weight

Certificates	Manufacturer	Sectors
		Domestic

Ph kit

- Color comparison kit for pH;
- IPT kits are ideal for few analyzes with discrete precision. For higher precision, we suggest pH meters.

Ref	Description	Fam.	Subfam.	Disp. Stock	
AV213	PH 1-11 KIT	010	066	•	

Ref	Range (pH)	Test quantity
AV213	1-2-3-4-5-5,5-6-6,5-7-7,5-8-8,5-9-9,5-10-11	200

Box: WxLxH	Box: Q.ty	Box: Weight	Pallet: WxLxH	Pallet: Q.ty	Pallet: Weight

Certificates	Manufacturer	Sectors
		Domestic

Sulphate kit

- Color comparison kit for Sulphate by turbidimetric method.

Ref	Description	Fam.	Subfam.	Disp. Stock	
AV214	SULPHATE KIT	010	066	•	

Ref	Range (p pm SO4)	Test quantity
AV214	50-75-100-150-200-250-300-350	70

Box: WxLxH	Box: Q.ty	Box: Weight	Pallet: WxLxH	Pallet: Q.ty	Pallet: Weight

Certificates	Manufacturer	Sectors
		Domestic





F65 Runxin Residential Down Flow Valves



- Electronic programmable valve, suitable for automatic and residential water softening systems;
- Valve body in NSF listed Noryl plastic material;
- Operating system based on two high design ceramic discs;
- Regeneration DF;
- Operating flow rate $K_v = 1,08$;
- Backwash flow rate $K_v = 0,50$;
- Resin volume range = $5 \div 40$ liters;
- Available in chronometric or volumetric versions;
- With White Injector mounted (Pink, Yellow and Blue Injectors included), European transformer 12/230V - 50Hz, upper screen, n.1 Base Seal O-ring, n.1 Drain Hose Connector, n.1 Brine Tube Hose Connector, n.1 Tube Bushing and n.1 Brine Line Flow Control);
- Others injectors (6800 Series) and accessories not included, to order separately.

Ref	Description	Fam.	Subfam.	Disp. Stock	
RF65B1	VALV. AUT. SOFT. F65B1 (63502) CHRON. 3/4" DF	022	930	•	
RF65D1	VALV. AUT. SOFT. F65D1 (62502) CHRON. 3/4" DF	022	930	•	
RF65D1/F70B	VALV. AUT. SOFT. F65D1 (62502) CHRON. 3/4" DF WITH BYPASS F70B	022	930	•	
RF65D3/F70BL	VALV. AUT. SOFT. F65D3 (62602) VOL. 3/4" DF WITH BYPASS F70BL	022	935	•	

Characteristics:	
Tank size	6" ÷ 10"
Connections In/Out	Threaded 3/4" female (male optional included)
Pressure vessel connection	Threaded 2 1/2" - 8 UN male
Drain line connection	Threaded 1/2" male
Brine line connection	Threaded 3/8" BSPT male
Distributor tube O. D. diameter	1,05" (= 27 mm)
Water Temperature	0 ± 2 mm
Weight (valve + controller)	1,66 kg
Operating pressure	1,5 ÷ 6,0 bar
Water Temperature	5°C ÷ 50°C

Box: WxLxH	Box: Q.ty	Box: Weight	Pallet: WxLxH	Pallet: Q.ty	Pallet: Weight

Certificates	Manufacturer	Sectors
DM174-2004 CE	Runxin	Domestic

Specific accessories

Ref	Description	Fam.	Subfam.	Disp. Stock	
RF70B	BYPASS FOR F65 AND F69 VALVES - 41102	022	940	•	
RF70BL	BYPASS WITH TURBINE FOR F65 AND F69 VALVES - 41102L	022	940	•	
RF09959	FLOATING VALVE 35"	022	940	•	

Spare parts

Ref	Description	Fam.	Subfam.	Disp. Stock	
RF09967	EUROPEAN POWER ADAPTER FOR RUNXIN RES. VALVE	022	940	•	
RFP9999	UPPER SCREEN 3/4" BAJONET FOR VALVE RUNXIN	022	940	•	



F79B-LCD Runxin Residential Volumetric Valve



- Electronic volumetric programmable valve multilanguage, suitable for automatic and residential water softening systems;
- Valve body in NSF listed Noryl plastic material;
- Operating system based on two high design ceramic discs;
- Regeneration DF or UF;
- Operating flow rate $K_v = 1,14$; Backwash flow rate $K_v = 0,5$;
- Resin volume range = $5 \div 40$ liters;
- With Pink Injector mounted (Yellow, Blue and White Injectors included), European transformer 12/230V - 50Hz, upper screen, n.1 Base Seal O-ring, n.1 Drain Hose Connector, n.1 Brine Tube Hose Connector,
- n.1 Tube Bushing and n.1 red Brine Line Flow Control), Meter and Bypass Adjusting Bolt;
- Others injectors (6800 Series) and accessories not included, to order separately.

Ref	Description	Fam.	Subfam.	Disp. Stock	
RF79B-LCD	VALV. AUT.SOFT. F79B-LCD (83602B) VOL. 3/4" DF/UF	022	935	•	

Characteristics:	
Tank size	6" ÷ 10"
Connections In/Out	Threaded 3/4" male
Pressure vessel connection	Threaded 2 1/2" - 8 UN male
Drain line connection	Threaded 1/2" male
Brine line connection	Threaded 3/8" BSPT male
Distributor tube O. D. diameter	1,05" (= 27 mm)
Water Temperature	0 ± 2 mm
Weight (valve + controller)	2,25 kg
Operating pressure	1,5 ÷ 6,0 bar
Water Temperature	5°C ÷ 50°C

Box: WxLxH	Box: Q.ty	Box: Weight	Pallet: WxLxH	Pallet: Q.ty	Pallet: Weight
51x63x24	4	11	105x130x255	144	41,5

Certificates	Manufacturer	Sectors
DM174-2004 CE	Runxin	Domestic

Specific accessories

Ref	Description	Fam.	Subfam.	Disp. Stock	
RF70D	BYPASS FOR F79 VALVE - 41202	022	940	•	

Spare parts

Ref	Description	Fam.	Subfam.	Disp. Stock	
RF09962	O-R CONNECTOR 3/4" FOR FLOW METER FOR RF79B-LCD VALVE	022	940	•	
RF09963	CONNECTOR 3/4" FLOW METER FOR RF79B-LCD VALVE W/O O-RING - 8458026	022	940	•	
RF09964	ELECTRONIC CONTROL BOARD FOR RF79B-LCD VALVE	022	940	•	
RF09965	ELECTRONIC POSITIONING BOARD FOR RF79B-LCD VALVE	022	940	•	
RF09966	ELECTRONIC BOARD FOR DISPLAY RF79B-LCD VALVE	022	940	•	
RF09967	EUROPEAN POWER ADAPTER FOR RUNXIN RES. VALVE	022	940	•	
RF09968	TURBINE FLOW METER FOR RF79B-LCD	022	940	•	
RF09969	SEMI-TRANSPARENT COVER FOR RF79B-LCD VALVE	022	940	•	
RF09970	PIPE CONNECTION 3/4" FOR RF79B-LCD VALVE	022	940	•	
RFP9999	UPPER SCREEN 3/4" BAJONET FOR VALVE RUNXIN	022	940	•	



F69 Runxin Residential Up Flow Softening Valves



- Electronic programmable valve, suitable for residential water softening systems;
- Valve body in NSF listed Noryl plastic material;
- Operating system based on two high design ceramic discs;
- Regeneration UF;
- Operating flow rate Kv = 1,08;
- Backwash flow rate Kv = 0,5;
- Resin volume range = 5 ÷ 40 liters;
- Available in chronometric or volumetric versions;
- F69C Valve is with Brown Injector mounted;
- F69P Valves are with Pink Injector mounted (Yellow, Blue and White Injectors included);
- European transformer 12/230V - 50Hz, upper screen, n.1 Base
- Seal O-ring, n.1 Drain Hose Connector, n.1 Brine Tube Hose
- Connector, n.1 Tube Bushing and n.1 Brine Line Flow Control);
- Others injectors (6800 Series) and accessories not included, to order separately.

Ref	Description	Fam.	Subfam.	Disp. Stock	
RF69C	VALV. SEMIAUT. SOFT. F69C (70002) CHRON. 3/4" UF	022	935	•	
RF69P1Y	VALV. AUT. SOFT. F69P1Y (73502PY) CHRON. 3/4" UF	022	930	•	
RF69P3Y	VALV. AUT. SOFT. F69P3Y (73602PY) VOL. 3/4" UF	022	935	•	
RF69P3Y/F70BL	VALV. AUT. SOFT. F69P3Y (73602PY) VOL. 3/4" UF WITH BYPASS F70BL	022	935	•	

Characteristics:	
Tank size	6" ÷ 10"
Connections In/Out	Threaded 3/4" female (male optional included)
Pressure vessel connection	Threaded 2 1/2" - 8 UN male
Drain line connection	Threaded 1/2" male
Brine line connection	Threaded 3/8" BSPT male
Distributor tube O. D. diameter	1,05" (= 27 mm)
Water Temperature	0 ± 2 mm
Weight (valve + controller)	2,04 kg
Operating pressure	1,5 ÷ 6,0 bar
Water Temperature	5°C ÷ 50°C

Box: WxLxH	Box: Q.ty	Box: Weight	Pallet: WxLxH	Pallet: Q.ty	Pallet: Weight

Certificates	Manufacturer	Sectors
DM174-2004 CE	Runxin	Domestic

Specific accessories

Ref	Description	Fam.	Subfam.	Disp. Stock	
RF70B	BYPASS FOR F65 AND F69 VALVES - 41102	022	940	•	
RF70BL	BYPASS WITH TURBINE FOR F65 AND F69 VALVES - 41102L	022	940	•	
RF09960	USB PROGRAMMER FOR RF69C VALVES	022	940	•	

Spare parts

Ref	Description	Fam.	Subfam.	Disp. Stock	
RF09967	EUROPEAN POWER ADAPTER FOR RUNXIN RES. VALVE	022	940	•	
RFP9999	UPPER SCREEN 3/4" BAJONET FOR VALVE RUNXIN	022	940	•	



F69 Runxin Residential Up Flow Softening Valves on a Duplex Tanks



- Electronic volumetric programmable valve, suitable for automatic and residential water softening systems;
- Valve body in NSF listed Noryl plastic material;
- Operating system based on two high design ceramic discs;
- Regeneration DF or UF;
- Operating flow rate Kv = 2,33;
- Backwash flow rate Kv = 0,88;
- Resin volume range = 45 ÷ 100 liters;
- With Red Injector mounted (Black Injector included), European transformer 12/230V -50Hz, upper screen, n.1 Base Seal O-ring, n.1 Drain Hose Connector, n.1 Brine Tube Hose Connector, n.1 Tube Bushing, n.1 Brine Line Flow Control, Meter and Bypass Adjusting Bolt;
- Others injectors (6800 Series) and accessories not included, to order separately.

Ref	Description	Fam.	Subfam.	Disp. Stock	
RF73A	VALV. AUT. SOFT. F73A (17603) VOL. 1" DF/UF - ONE ON DUPLEX TANKS	022	935	•	

Characteristics:	
Tank size	10" ÷ 14"
Connections In/Out	Threaded 1" male
Pressure vessel connection	Threaded 2 1/2" - 8 UN male
Drain line connection	Threaded 3/4" male
Brine line connection	Threaded 3/8" BSPT male
Distributor tube O. D. diameter	1,05" (= 27 mm)
Water Temperature	0 ± 2 mm
Weight (valve + controller)	4,75 kg
Operating pressure	1,5 ÷ 6,0 bar
Water Temperature	5°C ÷ 50°C

Box: WxLxH	Box: Q.ty	Box: Weight	Pallet: WxLxH	Pallet: Q.ty	Pallet: Weight

Certificates	Manufacturer	Sectors
DM174-2004 CE	Runxin	Domestic

Spare parts

Ref	Description	Fam.	Subfam.	Disp. Stock	
RF09967	EUROPEAN POWER ADAPTER FOR RUNXIN RES. VALVE	022	940	•	
RFP9999	UPPER SCREEN 3/4" BAJONET FOR VALVE RUNXIN	022	940	•	



F63 Runxin Residential Down Flow Softening Valves



- Electronic programmable valve, suitable for automatic and residential water softening systems;
- Valve body in NSF listed Noryl plastic material;
- Operating system based on two high design ceramic discs;
- Regeneration DF; Resin volume range = 40 ÷ 150 liters;
- Operating flow rate Kv = 3,13; Backwash flow rate Kv = 1,25;
- Available in chronometric or volumetric versions;
- With Green Injector mounted (Purple and White Injectors included), European transformer 12/230V - 50Hz, upper screen,
- n.1 Base Seal O-ring, n.1 Drain Hose Connector, n.1 Brine Tube Hose Connector, n.1 Tube Bushing and n.1 Brine Line Flow Control);
- Others injectors (6800 Series) and accessories not included, to order separately.

Ref	Description	Fam.	Subfam.	Disp. Stock	
RF63B1	VALV. AUT. SOFT. F63B1 (63504S) CHRON. 1" DF	022	930	•	
RF63D1	VALV. AUT. SOFT. F63D1 (62504) CHRON. 1" DF	022	930	•	
RF63P1Y	VALV. AUT. SOFT. F63P1Y (63504PY) CHRON. 1" DF	022	930	•	
RF63B3	VALV. AUT. SOFT. F63B3 (63604S) VOL. 1" DF	022	935	•	
RF63C3	VALV.AUT.SOFT.F63C3 (63604) VOL. 1" DF	022	935	•	
RF63C3/F70AL	VALV.AUT.SOFT.F63C3 (63604) VOL. 1!" DF WITH BYPASS F70AL	022	935	•	
RF63D3	VALV. AUT. SOFT. F63D3 (62604H) VOL. 1" DF	022	935	•	
RF63D3/F70AL	VALV. AUT. SOFT. F63D3 (62604H) VOL. 1" DF WITH BYPASS F70AL	022	935	•	

Characteristics	
Tank size	10" ÷ 18"
Connections In/Out	Threaded 1" female (male optional included)
Pressure vessel connection	Threaded 2 ½" - 8 UN male
Drain line connection	Threaded ½" male
Brine line connection	Threaded ¾" BSPT male
Distributor tube O. D. diameter	1,05" (= 27 mm)
Water Temperature	0 ± 2 mm
Weight (valve + controller)	2,34 kg
Operating pressure	1,5 ÷ 6,0 bar
Water Temperature	5°C ÷ 50°C

Box: WxLxH	Box: Q.ty	Box: Weight	Pallet: WxLxH	Pallet: Q.ty	Pallet: Weight

Certificates	Manufacturer	Sectors
DM174-2004 CE	Runxin	Domestic

Specific accessories

Ref	Description	Fam.	Subfam.	Disp. Stock	
RF70A	BYPASS FOR F63 AND F68 VALVES - 2974001	022	940	•	
RF70AL	BYPASS WITH TURBINE FOR F63 AND F68 VALVES - 2974013	022	940	•	

Spare parts

Ref	Description	Fam.	Subfam.	Disp. Stock	
RF09967	EUROPEAN POWER ADAPTER FOR RUNXIN RES. VALVE	022	940	•	
RFP9999	UPPER SCREEN 3/4" BAJONET FOR VALVE RUNXIN	022	940	•	



F82B-LCD Runxin Residential Volumetric Valves



- Electronic volumetric programmable valve multilanguage, suitable for automatic and residential water softening systems;
- Valve body in NSF listed Noryl plastic material;
- Operating system based on two high design ceramic discs;
- Regeneration DF or UF;
- Operating flow rate Kv = 3,13;
- Backwash flow rate Kv = 1,25;
- Resin volume range = 40 ÷ 150 liters;
- With White Injector mounted (Red, Black and Orange Injectors included), European transformer 12/230V - 50Hz, upper screen, n.1 Base Seal O-ring, n.1 Drain Hose Connector, n.1 Brine Tube Hose Connector, n.1 Tube Bushing and n.1 Brine Line Flow Control), Meter and Bypass Adjusting Bolt;
- Others injectors (6800 Series) and accessories not included, to order separately

Ref	Description	Fam.	Subfam.	Disp. Stock	
RF82B-LCD	VALV. AUT. SOFT. F82B-LCD (82604B) VOL. 1" DF/UF	022	935	•	
RF82B-LCD/F70CL	VALV. AUT. SOFT. F82B-LCD (82604B) VOL. 1" DF/UF WITH BYPASS F70CL	022	935	•	

Characteristics:	
Tank size	10" ÷ 18"
Connections In/Out	Threaded 1" male
Pressure vessel connection	Threaded 2 ½" - 8 UN male
Drain line connection	Threaded ½" male
Brine line connection	Threaded ¾" BSPT male
Distributor tube O. D. diameter	1,05" (= 27 mm)
Water Temperature	0 ± 2 mm
Weight (valve + controller)	2,72 kg
Operating pressure	1,5 ÷ 6,0 bar
Water Temperature	5°C ÷ 50°C

Box: WxLxH	Box: Q.ty	Box: Weight	Pallet: WxLxH	Pallet: Q.ty	Pallet: Weight

Certificates	Manufacturer	Sectors
DM174-2004 CE	Runxin	Domestic

Accessories

Codici	Description	Fam.	Subfam.	Disp. Stock	
RF70CL	BYPASS WITH TURBINE FOR F63 F68 F82 VALVES - 2974015	022	940	•	

Spare parts

Ref	Description	Fam.	Subfam.	Disp. Stock	
RF09967	EUROPEAN POWER ADAPTER FOR RUNXIN RES. VALVE	022	940	•	
RFP9999	UPPER SCREEN 3/4" BAJONET FOR VALVE RUNXIN	022	940	•	



F68 Runxin Residential Up Flow Valves

- Electronic programmable valve, suitable for automatic and residential water softening systems;
- Valve body in NSF listed Noryl plastic material;
- Operating system based on two high design ceramic discs;
- Regeneration UF;
- Operating flow rate $K_v = 3,13$;
- Backwash flow rate $K_v = 1,25$;
- Resin volume range = 18 ÷ 150 liters;
- Available in volumetric version;
- With Yellow Injector mounted (Red, Black and Orange Injectors included), European transformer 12/230V - 50Hz, upper screen, n.1 Base Seal O-ring, n.1 Drain Hose Connector, n.1 Brine Tube Hose Connector, n.1 Tube Bushing and n.1 Brine Line Flow Control);
- Others injectors (Series 6800) and accessories not included, to order separately.

Ref	Description	Fam.	Subfam.	Disp. Stock	
RF68C3/F70AL	VALV. AUT. SOFT. F68C3 (73604) VOL. 1" UF WITH BYPASS F70AL	022	935	•	
RF68P3Y/F70AL	VALV. AUT. SOFT. F68P3Y VOL. 1" UF WITH BYPASS F70AL	022	935	•	
RF68P3Y/F70CL	VALV.AUT.SOFT.F68P3Y VOL. 1" UF WITH BYPASS 70CL	022	935	•	

Characteristics	
Tank size	10" ÷ 18"
Connections In/Out	Threaded 1" male
Pressure vessel connection	Threaded 2 ½" - 8 UN male
Drain line connection	Threaded ½" male
Brine line connection	Threaded ¾" BSPT male
Distributor tube O. D. diameter	1,05" (= 27 mm)
Water Temperature	0 ± 2 mm
Weight (valve + controller)	2,90 kg
Operating pressure	1,5 ÷ 6,0 bar
Water Temperature	5°C ÷ 50°C

Box: WxLxH	Box: Q.ty	Box: Weight	Pallet: WxLxH	Pallet: Q.ty	Pallet: Weight

Certificates	Manufacturer	Sectors
DM174-2004 CE	Runxin	Domestic

Specific accessories

Ref	Description	Fam.	Subfam.	Disp. Stock	
RF70AL	BYPASS WITH TURBINE FOR F63 AND F68 VALVES - 2974013	022	940	•	
RF70CL	BYPASS WITH TURBINE FOR F63 F68 F82 VALVES - 2974015	022	940	•	

Spare parts

Ref	Description	Fam.	Subfam.	Disp. Stock	
RF09967	EUROPEAN POWER ADAPTER FOR RUNXIN RES. VALVE	022	940	•	
RFP9999	UPPER SCREEN 3/4" BAJONET FOR VALVE RUNXIN	022	940	•	



F92A-LED Runxin Residential Up Flow Valve



- Electronic programmable valve, suitable for automatic and residential water softening systems;
- Valve body in NSF listed Noryl plastic material;
- Operating system based on two high design ceramic discs;
- Regeneration UF;
- Operating flow rate $K_v = 4,77$;
- Backwash flow rate $K_v = 1,35$;
- Resin volume range = 120 ÷ 300 liters;
- Available in volumetric version;
- With Red Injector mounted (Purple, Green, Yellow and Orange Injectors included), European transformer 12/230V - 50Hz, upper screen, n.1 Base Seal O-ring, n.1 Drain Hose Connector, n.1 Brine Tube Hose Connector, n.1 Tube Bushing and n.1 Brine Line Flow Control).

Ref	Description	Fam.	Subfam.	Disp. Stock	
RF92A-LED	VALV. AUT. SOFT. F92A-LED (73605) VOL. 1" UF	022	935	•	

Characteristics	
Tank size	16" ÷ 24"
Connections In/Out	Threaded 1" male
Pressure vessel connection	Threaded 2 1/2" - 8 UN male
Drain line connection	Threaded 1/2" male
Brine line connection	Threaded 3/8" BSPT male
Distributor tube O. D. diameter	32 mm
Water Temperature	0 ± 2 mm
Weight (valve + controller)	2,72 kg
Operating pressure	1,5 ÷ 6,0 bar
Water Temperature	5°C ÷ 50°C

Box: WxLxH	Box: Q.ty	Box: Weight	Pallet: WxLxH	Pallet: Q.ty	Pallet: Weight

Certificates	Manufacturer	Sectors
DM174-2004 CE	Runxin	Domestic

Spare parts

Codici	Description	Fam.	Subfam.	Disp. Stock	
RF09967	EUROPEAN POWER ADAPTER FOR RUNXIN RES. VALVE	022	940	•	
RF09949	UPPER SCREEN 32 MM FOR RUNXIN VALVES - 6939003	022	940	•	



Runxin Residential Valves Accessories

- Injectors and Accessories not included in the Runxin Residential Valves, to order separately.

Specific accessories

Ref	Description	Fam.	Subfam.	Disp. Stock	
RF06801	INJECTOR BROWN + DLFC FOR RUNXIN VALVES - 6801	022	940	•	
RF06802	INJECTOR PINK + DLFC FOR RUNXIN VALVES - 6802	022	940	•	
RF06803	INJECTOR YELLOW + DLFC FOR RUNXIN VALVES - 6803	022	940	•	
RF06804	INJECTOR BLUE + DLFC FOR RUNXIN VALVES - 6804	022	940	•	
RF06805	INJECTOR WHITE + DLFC FOR RUNXIN VALVES - 6805	022	940	•	
RF06806	INJECTOR BLACK + DLFC FOR RUNXIN VALVES - 6806	022	940	•	
RF06807	INJECTOR PURPLE + DLFC FOR RUNXIN VALVES - 6807	022	940	•	
RF06808	INJECTOR RED + DLFC FOR RUNXIN VALVES - 6808	022	940	•	
RF06809	INJECTOR GREEN FOR RUNXIN VALVES - 6809	022	940	•	
RF06810	INJECTOR ORANGE FOR RUNXIN VALVES - 6810	022	940	•	
RF06301	INJECTOR BROWN + DLFC #1 FOR RUNXIN VALVES - 6301	022	940		
RF06302	INJECTOR PINK + DLFC #1 FOR RUNXIN VALVES - 6302	022	940		
RF06303	INJECTOR YELLOW+DLFC #2 FOR RUNXIN VALVES - 6303	022	940		
RF06304	INJECTOR BLUE + DLFC #2 FOR RUNXIN VALVES - 6304	022	940		
RF06305	INJECTOR WHITE + DLFC #3 FOR RUNXIN VALVES - 6305	022	940		
RF06306	INJECTOR BLACK +DLFC #3 FOR RUNXIN VALVES - 6306	022	940		
RF06307	INJECTOR PURPLE +DLFC #4 FOR RUNXIN VALVES - 6307	022	940		
RF06308	INJECTOR RED + DLFC #4FOR RUNXIN VALVES - 6308	022	940		
RF06309	INJECTOR GREEN + DLFC #5 FOR RUNXIN VALVES - 6309	022	940		
RF06310	INJECTOR ORANGE + DLFC #5 FOR RUNXIN VALVES - 6310	022	940		
RF09995	SERVICE WRENCH FOR RUNXIN VALVES - 8484003	022	940	•	
RF47010	RUNXIN CHLORINATOR FOR VALVE F79, F82 AND FOR VALVES D SERIES	022	940	•	
RF09998	SPACER 2.5" M/F W/ O-RING AND WRENCH	022	940	•	
RF09997	SPANNER FOR SPACER RF09998	022	940	•	
RF09971	ENGLISH POWER ADAPTER FOR RF79B-LCD VALVE	022	940	•	
RF43010	BRINE WELL DIAM. 60 MM H 396 MM W/FLOATING VALVE	045	230	•	
RF43011	BRINE WELL DIAM. 60 MM H 308 MM W/FLOATING VALVE	045	230	•	
RF09922	INTERLOCK WIRE FOR RUNXIN VALVES F63(68)C - F63(65-68)P	022	940	•	



F74 Runxin Industrial Down Flow Valve

- Electronic programmable valve, suitable for automatic and industrial water softening systems;
- Valve body in NSF listed Noryl plastic material;
- Operating system based on two high design ceramic discs;
- Regeneration DF;
- Operating flow rate Kv = 6,50;
- Backwash flow rate Kv = 3,57;
- Resin volume range = 120 ÷ 450 liters;
- With Pink Injector mounted (Brown and Blue Injectors included), European transformer 12/230V - 50Hz, upper screen,
- n.1 Base Seal O-ring,
- n.1 Drain Hose Connector,
- n.1 Brine Tube Hose Connector,
- n.1 Tube Bushing and n.1 Brine Line Flow Control);
- Others injectors (series 7400) and accessories not included, to order separately.

Ref	Description	Fam.	Subfam.	Disp. Stock	
RF74A3	VALV. AUT. SOFT. F74A3 (63610) VOL. 2" DF	027	965	•	

Characteristics	
Tank size	21" ÷ 30"
Connections In/Out	Threaded 2" male
Pressure vessel connection	Threaded 4" - 8 UN male
Drain line connection	Threaded 1" male
Brine line connection	Threaded ½" BSPT male
Distributor tube O. D. diameter	50 mm
Water Temperature	0 ± 2 mm
Weight (valve + controller)	5,88 kg
Operating pressure	2,0 ÷ 6,0 bar
Water Temperature	5°C ÷ 50°C

Box: WxLxH	Box: Q.ty	Box: Weight	Pallet: WxLxH	Pallet: Q.ty	Pallet: Weight

Certificates	Manufacturer	Sectors
DM174-2004 CE	Runxin	Industrial

Spare parts

Ref	Description	Fam.	Subfam.	Disp. Stock	
RF09974	EUROPEAN POWER ADAPTER FOR RUNXIN IND.VALVES	027	970	•	
RF09950	UPPER SCREEN 50 MM FOR RUNXIN VALVES	027	970	•	



F99 Runxin Industrial Down Flow Valves



- Electronic programmable valve, suitable for automatic and industrial water softening systems;
- Valve body in NSF listed Noryl plastic material;
- Operating system based on two high design ceramic discs;
- Regeneration DF;
- Operating flow rate Kv = 14,4;
- Backwash flow rate Kv = 5,72;
- Resin volume range = 450 ÷ 800 liters;
- With Yellow Injector mounted (Pink Injectors included), European transformer 12/230V - 50Hz, upper screen,
- n.1 Base Seal O-ring,
- n.1 Drain Hose Connector,
- n.1 Brine Tube Hose Connector,
- n.1 Tube Bushing and n.1 Brine Line Flow Control);
- Others injectors (7700 Series) and accessories not included, to order separately.

Ref	Description	Fam.	Subfam.	Disp. Stock	
RF99A1	VALV. AUT. SOFT. F99A1 (63515) CHRON. 2" UF	027	960	•	
RF99A3	VALV. AUT. SOFT. F99A3 (63615) VOL. 2" UF	027	965	•	

Characteristics	
Tank size	30" ÷ 42"
Connections In/Out	Threaded 2" male
Pressure vessel connection	Threaded 4" - 8 UN male
Drain line connection	Threaded 1,5" male
Brine line connection	Threaded 3/4" BSPT male
Distributor tube O. D. diameter	50 mm
Water Temperature	0 ± 2 mm
Weight (valve + controller)	11,50 kg
Operating pressure	2,0 ÷ 6,0 bar
Water Temperature	5°C ÷ 50°C

Box: WxLxH	Box: Q.ty	Box: Weight	Pallet: WxLxH	Pallet: Q.ty	Pallet: Weight

Certificates	Manufacturer	Sectors
DM174-2004 CE	Runxin	Industrial

Spare parts

Ref	Description	Fam.	Subfam.	Disp. Stock	
RF09974	EUROPEAN POWER ADAPTER FOR RUNXIN IND.VALVES	027	970	•	
RF09950	UPPER SCREEN 50 MM FOR RUNXIN VALVES	027	970	•	



F111 Runxin Industrial Down Flow Valves



- Electronic programmable valve, suitable for automatic and industrial water softening systems;
- Valve body in NSF listed Noryl plastic material;
- Operating system based on two high design ceramic discs;
- Regeneration DF;
- Operating flow rate $K_v = 16,71$;
- Backwash flow rate $K_v = 18,97$;
- Resin volume range = $450 \div 800$ liters;
- Available in chronometric or volumetric versions;
- With Blue Injector mounted (Yellow and White Injectors included), European transformer 12/230V - 50Hz, upper screen, n.1 Base Seal O-ring, n.1 Drain Hose Connector, n.1 Brine Tube Hose Connector, n.1 Tube Bushing and n.1 Brine Line Flow Control);
- Others injectors (7700 Series) and accessories not included, to order separately.

Ref	Description	Fam.	Subfam.	Disp. Stock	
RF111A1	VALV. AUT. SOFT. F111A1 (63520) CHRON. 2" DF	027	960	•	
RF111A3	VALV. AUT. SOFT. F111A3 (63620) VOL. 2" DF	027	965	•	

Characteristics	
Tank size	30" \div 48"
Connections In/Out	Threaded 2" male
Pressure vessel connection	Threaded 4" - 8 UN male
Drain line connection	Threaded 1,5" male
Brine line connection	Threaded 3/4" BSPT male
Distributor tube O. D. diameter	63 mm
Water Temperature	0 \pm 2 mm
Weight (valve + controller)	11,50 kg
Operating pressure	2,0 \div 6,0 bar
Water Temperature	5°C \div 50°C

Box: WxLxH	Box: Q.ty	Box: Weight	Pallet: WxLxH	Pallet: Q.ty	Pallet: Weight

Certificates	Manufacturer	Sectors
DM174-2004 CE	Runxin	Industrial

Spare parts

Ref	Description	Fam.	Subfam.	Disp. Stock	
RF09974	EUROPEAN POWER ADAPTER FOR RUNXIN IND.VALVES	027	970	•	
RF09951	UPPER SCREEN 63 MM FOR RUNXIN VALVES	027	970	•	

- **Specific accessories** - Injectors and Accessories not included in the Runxin Industrial Valves, to order separately.

Ref	Description	Fam.	Subfam.	Disp. Stock	
RF07401	INJECTOR BROWN + DLFC FOR RUNXIN VALVES - 7401	027	970	•	
RF07402	INJECTOR PINK + DLFC FOR RUNXIN VALVES - 7402	027	970	•	
RF07403	INJECTOR YELLOW + DLFC FOR RUNXIN VALVES - 7403	027	970	•	
RF07404	INJECTOR BLUE + DLFC FOR RUNXIN VALVES - 7404	027	970	•	
RF07701	INJECTOR BROWN FOR RUNXIN VALVES - 7701	027	970	•	
RF07702	INJECTOR PINK FOR RUNXIN VALVES - 7702	027	970	•	
RF07703	INJECTOR YELLOW FOR RUNXIN VALVES - 7703	027	970	•	
RF07704	INJECTOR BLUE FOR RUNXIN VALVES - 7704	027	970	•	
RF07705	INJECTOR WHITE FOR RUNXIN VALVES - 7705	027	970	•	
RF09995	SERVICE WRENCH FOR RUNXIN VALVES - 8484003	022	940	•	



F75 Runxin Industrial Filter Valve



- Electronic valve, suitable for automatic and industrial water filtering systems;
- Valve body in NSF listed Noryl plastic material;
- Operating system based on two high design ceramic discs;
- Operating flow rate Kv = 8,7;
- Backwash flow rate Kv = 8,0;
- With European transformer 12/230V - 50Hz, upper screen,
- n.1 Base Seal O-ring, n.1 Drain Hose Connector.

Ref	Description	Fam.	Subfam.	Disp. Stock	
RF75A	VALV.AUT.FILTER F75A 2"	027	968	•	

Characteristics	
Tank size	16" ÷ 24"
Connections In/Out	Threaded 2" male
Pressure vessel connection	Threaded 4" - 8 UN male
Drain line connection	Threaded 2" male
Distributor tube O. D. diameter	50 mm
Water Temperature	0 ± 2 mm
Weight (valve + controller)	4,4 kg
Operating pressure	2,0 ÷ 6,0 bar
Water Temperature	5°C ÷ 50°C

Box: WxLxH	Box: Q.ty	Box: Weight	Pallet: WxLxH	Pallet: Q.ty	Pallet: Weight

Certificates	Manufacturer	Sectors
DM174-2004 CE	Runxin	Industrial

Spare parts

Ref	Description	Fam.	Subfam.	Disp. Stock	
RF09974	EUROPEAN POWER ADAPTER FOR RUNXIN IND.VALVES	027	970	•	
RF09950	UPPER SCREEN 50 MM FOR RUNXIN VALVES	027	970	•	



Runxin Manual Softening Valves



- Multi-way valves having five functions: service, backwash, brine, fast rinse and refill;
- IN/OUT connections 3/4" BSPP female;
- Drain line connection 1/2" BSPP female;
- Brine line connection 3/8" BSPT male;
- Riser tube diameter 1,05" (26,7 mm);
- Max suggested flow 1,5 m3/h (only valve) @ Δp = 1,75 bar;
- Operating flow rate Kv = 1,09;
- Backwash flow rate Kv = 0,55;
- Max operating pressure 6 bar @ 20°C;
- Max operating temperature 50°C;
- Upper screen included.

Ref	Description	Fam.	Subfam.	Disp. Stock	
RF64B	VALV. MANUAL SOFT. F64B (61202) 3/4" DF	022	950	•	
RF64BC	VALV. MANUAL SOFT. F64BC (61202C) 3/4" DF - SIDE CONTROL	022	950	•	
RF64C	VALV. MANUAL ADDOLC. F64C (71202) 3/4" UF	022	950		

Ref	Description	Mounting
RF64B	VALV. MANUAL SOFT. F64B (61202) 3/4" DF	Vertical
RF64BC	VALV. MANUAL SOFT. F64BC (61202C) 3/4" DF - SIDE CONTROL	Side
RF64C	VALV. MANUAL ADDOLC. F64C (71202) 3/4" UF	Vertical

Box: WxLxH	Box: Q.ty	Box: Weight	Pallet: WxLxH	Pallet: Q.ty	Pallet: Weight

Certificates	Manufacturer	Sectors
	Runxin	Domestic



- Multi-way valves having five functions: service, backwash, brine, fast rinse and refill;
- IN/OUT connections 1" BSPP female;
- Drain line connection 1/2" BSPP female;
- Brine line connection 3/8" BSPT male;
- Riser tube diameter 1,05" (26,7 mm);
- Max suggested flow 4,5 m3/h (only valve) @ Δp = 1,75 bar;
- Operating flow rate Kv = 3,13;
- Backwash flow rate Kv = 1,25;
- Max operating pressure 6 bar @ 20°C;
- Max operating temperature 50°C;
- Upper screen included.
- **Attention:** this multi-way valve is prohibited to change working position with pressure; make sure to shut down pump or close feed valve before rotating the handle to other working position.

Ref	Description	Fam.	Subfam.	Disp. Stock	
RF64A1	VALV. MANUAL SOFT. F64A (61104) 1"DF - METAL HANDLE	022	950	•	
RF64A2	VALV. MANUAL SOFT. F64A (61204) 1"DF - PLASTIC HANDLE	022	950	•	
RF64AC	VALV. MANUAL SOFT. F64AC (61204C) 1"DF - SIDE CONTROL	022	950	•	

Ref	Description	Mounting
RF64A1	VALV. MANUAL SOFT. F64A (61104) 1"DF - METAL HANDLE	Vertical
RF64A2	VALV. MANUAL SOFT. F64A (61204) 1"DF - PLASTIC HANDLE	Vertical
RF64AC	VALV. MANUAL SOFT. F64AC (61204C) 1"DF - SIDE CONTROL	Side

Box: WxLxH	Box: Q.ty	Box: Weight	Pallet: WxLxH	Pallet: Q.ty	Pallet: Weight

Certificates	Manufacturer	Sectors
	Runxin	Domestic



Runxin Manual Filter Valves



Max 4 m³/h Multi-way Manual Valve

- Multi-way valve having three functions: filtration, backwash, rinse;
- Fits threaded tanks 2 ½" - 8NPSM;
- IN/OUT connections and drain 1" BSPP female;
- Riser tube diameter 1,05" (26,7 mm);
- Max suggested flow 4 m³/h (only valve);
- Max operating pressure 6 bar @ 20°C;
- Max operating temperature 50°C;
- Upper screen included
- **ATTENTION:** this multi-way valve is prohibited to change working position with pressure; make sure to shut down pump or close feed valve before rotating the handle to other working position.

Ref	Description	Fam.	Subfam.	Disp. Stock	
PV410	MULTI-WAY MANUAL VALVE 2.5" IN/OUT AND DRAIN W/UPPER SCREEN 1.05"	050	240	•	

Box: WxLxH	Box: Q.ty	Box: Weight	Pallet: WxLxH	Pallet: Q.ty	Pallet: Weight

Certificates	Manufacturer	Sectors
	Runxin	Industrial



Max 10 m³/h Multi-way Manual Valves

- Multi-way valve having three functions: filtration, backwash, rinse;
- Fits threaded tanks 4" - 8UN;
- IN/OUT connections 2" BSPP female;
- Drain line connection 1,5" BSPP female;
- Riser tube diameter 50 mm;
- Max suggested flow 10 m³/h (only valve) @ Δp = 1,75 bar;
- Operating flow rate Kv = 8,2;
- Backwash flow rate Kv = 6,1;
- Max operating pressure 6 bar @ 20°C;
- Max operating temperature 50°C;
- Upper screen included.
- **ATTENTION:** this multi-way valve is prohibited to change working position with pressure; make sure to shut down pump or close feed valve before rotating the handle to other working position.

Ref	Description	Fam.	Subfam.	Disp. Stock	
RF56D1	VALV. MANUAL FILTER F56D1 (51110) 2"F - METAL HANDLE	022	980	•	
RF56D2	VALV. MANUAL FILTER F56D2 (51210) 2"F - PLASTIC HANDLE	022	980	•	

Box: WxLxH	Box: Q.ty	Box: Weight	Pallet: WxLxH	Pallet: Q.ty	Pallet: Weight

Certificates	Manufacturer	Sectors
	Runxin	Industrial



Fleck Residential Valves Series 4600



- Made in European Union (Italy)
- The 4600 control valve is suitable for residential softening applications, fully adjustable, for efficient and reliable water treatment.
- Designed with a double backwash for less loss of hardness.
- Valve body in brass.
- It is a single piston valve, with a protective cover against atmospheric agents resistant to water, corrosion and UV rays.
- Down Flow regeneration
- Operating Flow Rate = 4.5 m³/h (20 gpm)
- Backwash Flow Rate 1.6 m³/h (7 gpm)
- Regeneration:
 - Timeclock: 7 or 12 days
 - Meter: delayed or immediate
 - Electronics
- Complete with European Transformer 230-24 V / 50/60 Hz 60 VA and 1.05" twist lock upper screen.
- OPTIONS: Mechanical controllers for simplex; Hot Water - only mechanical 65 ° C meter / 82 ° C timeclock

Ref	Description	Fam.	Subfam.	Disp. Stock	
FV460MC-600	FLECK VALV. 4600/1600 12 DAYS 0-1,2-0,25	023	505		
FV460MC-601	FLECK VALV. 4600/1600 12 DAYS 1-1,5-0,25 HW	023	505		
FV460MC-602	FLECK VALV. 4600/1600 12 DAYS 0-1,2-0,25 LWU HW	023	505		
FV460MC-603	FLECK VALV. 4600/1600 12 DAYS 0-1,2-0,25 LWU	023	505		
FV460MR-600	FLECK VALV. 4600/1600 3/4" ECOBYPASS 8 M3 0-1,2-0,25 HW	023	505		
FV460MR-601	FLECK VALV. 4600/1600 3/4" ECOBYPASS 8 M3 1-1,5-0,25 HW	023	505		
FV460MR-602	FLECK VALV. 4600/1600 3/4" ECOBYPASS 8 M3 0-1,2-0,25 LWU HW	023	505		
FV460MR-603	FLECK VALV. 4600/1600 3/4" ECOBYPASS 8 M3 1-1,5-0,25 LWU HW	023	505		
FV460MR-604	FLECK VALV. 4600/1600 3/4" METER 8 M3 0-1,2-0,25 LWU	023	505		
FV460MR-605	FLECK VALV. 4600/1600 3/4" METER 8 M3 1-1,5-0,25 LWU	023	505		
FV460SC-600	FLECK VALV. 4600/1600 SXT 0-1,2-0,25 HW	023	505		

Characteristics	
Tank size (recommended):	Softening System = 6" ÷ 12"
In/Out Connections	Threaded ¾" or 1" BSP
Pressure vessel connection	Threaded 2,5" - 8 UN male
Drain line connection	Threaded ½" NPT or BSP
Brine line connection (1600)	Threaded ⅜"
Distributor tube O. D. diameter	1,05" (=27 mm)
Operating pressure	1,4 ÷ 8,5 bar
Water Temperature	1 ÷ 40 °C
Protection class	IP22
Height (from top of tank)	180 mm

Box: WxLxH	Box: Q.ty	Box: Weight	Pallet: WxLxH	Pallet: Q.ty	Pallet: Weight

Certificates	Manufacturer	Sectors
DM174-2004 CE, EAC	Pentair	Domestic

Accessories

Ref	Description	Fam.	Subfam.	Disp. Stock	
FVA13398-10	1" BSP F BRASS YOKE FOR 5800, 9000 AND 9100 VALVES	023	590		
FVA18706-10	1" BSP M PLASTIC YOKE FOR 5800, 9000 AND 9100 VALVES	023	590		
FVA24689	3/4" BSP M BRASS YOKE FOR 5800, 9000 AND 9100 VALVES	023	590		
FVA18706-12	3/4" BSP M PLASTIC YOKE FOR 5800, 9000 AND 9100 VALVES	023	590		



Fleck Residential Valves Series 5600



- Made in European Union (Italy)
- The 5600 is high performance control valve, ideal for residential softening applications with multiple options (also filter). The valve body in fiber-reinforced material is UV rays resistant and no subject to corrosion. The valve is easily programmable and very intuitive. Modular design simplifies the disassembly and the maintenance.
- The 5600 valve has a mechanical timer: the 5600SXT valve is an electronic valve: they share the same valve body (5600), but it is different for the cover and the electronic components.
- Down Flow regeneration.
- Valve body in Noryl plastic material = polyphenylene oxide (PPO).
- Operating Flow Rate = 4.5 m³/h (20 gpm)
- Backwash Flow rate = 1.6 m³/h (7 gpm)
- Regeneration:
 - Chronometric: 7 or 12 days
 - Volumetric: delayed or immediate
 - Electronics
- Complete with European Transformer 230-24 V / 50/60 Hz 60 VA and 1.05" twist lock upper screen.
- OPTIONS: SXT electronics.

Ref	Description	Fam.	Subfam.	Disp. Stock	
FV560MC-600	FLECK VALV. 5600/1600 12 DAYS 0-1,2-0,25 LWU	023	500		
FV560MC-601	FLECK VALV. 5600/1600 12 DAYS 1-1,5-0,25	023	500		
FV560MC-602	FLECK VALV. 5600/1600 12 DAYS 2-3,5-0,5	023	500		
FV560MC-603	FLECK VALV. 5600 FILTER 12 DAYS 7 GPM MW	023	500		
FV560MR-601	FLECK VALV. 5600/1600 3/4" METER 8 M3 1-1,5-0,25	023	500		
FV560MR-602	FLECK VALV. 5600/1600 3/4" METER 40 M3 2-3,5-0,5	023	500		
FV560MR-603	FLECK VALV. 5600/1600 3/4" METER 8 M3 0-1,2-0,25 LWU	023	500		
FV560SC-600	FLECK VALV. 5600/1600 SXT 0-1,2-0,25	023	500		
FV560SC-601	FLECK VALV. 5600/1600 SXT 1-1,5-0,25	023	500		
FV560SR-600	FLECK VALV. 5600/1600 SXT 3/4" TURBINE 0-1,2-0,25	023	500		
FV560SR-601	FLECK VALV. 5600/1600 SXT 3/4" TURBINE 1-1,5-0,25	023	500		
FV560SR-602	FLECK VALV. 5600/1600 SXT 3/4" TURBINE 2-3,5-0,5	023	500		
FV560SR-603	FLECK VALV. 5600/1600 SXT 3/4" TURBINE 1-2,4-0,25	023	500		

Characteristics	
Tank size (recommended):	Softening System = 6" ÷ 12"
In/Out Connections	Threaded 3/4" or 1" BSP
Pressure vessel connection	Threaded 2,5" - 8 UN male
Drain line connection	Threaded 1/2" NPT or BSP
Brine line connection (1600)	Threaded 3/8"
Distributor tube O. D. diameter	1,05" (=27 mm)
Operating pressure	1,4 ÷ 8,5 bar
Water Temperature	1 ÷ 40 °C
Protection class	IP22
Height (from top of tank)	180 mm (200 mm with programmer SXT)

Box: WxLxH	Box: Q.ty	Box: Weight	Pallet: WxLxH	Pallet: Q.ty	Pallet: Weight

Certificates	Manufacturer	Sectors
DM174-2004 CE, EAC	Pentair	Domestic



Fleck Residential Valves Series 5600

Accessories

Ref	Description	Fam.	Subfam.	Disp. Stock	
FVA13398-10	1" BSP F BRASS YOKE FOR 5800, 9000 AND 9100 VALVES	023	590		
FVA18706-10	1" BSP M PLASTIC YOKE FOR 5800, 9000 AND 9100 VALVES	023	590		
FVA24689	3/4" BSP M BRASS YOKE FOR 5800, 9000 AND 9100 VALVES	023	590		
FVA18706-12	3/4" BSP M PLASTIC YOKE FOR 5800, 9000 AND 9100 VALVES	023	590		



Fleck Residential Valves Series 5800



- Made in European Union (Italy)
- The 5800 control valve is suitable for residential/commercial filter/softening applications. The valve body in fiber-reinforced material is UV rays resistant and no subject to corrosion.
- 5800 represents a great step forward in the Fleck product range: the valve platform
- is made of one hydraulic valve and different controllers, allowing various options, eliminating the need to stock a variety of control valves for filter or softener applications. 5800 features an improved flow, easy servicing (one-piece seal and spacer cartridge for quick and easy replacement) and a quick set-up.
- Cartridge with seal and spacer, reduced list of spare parts and snap assembly.
- LCD - backlit display that helps in the presence of poor lighting conditions.
- Down/Up Flow regeneration, according to the models.
- Valve body in Noryl plastic material = polyphenylene oxide (PPO).
- **Operating Flow Rate** = 4.7 m³/h (21gpm) **Backwash Flow rate** = 3.8 m³/h (16 gpm)
- Regeneration: - **Chronometric**: 7 or 12 days - **Volumetric**: delayed or immediate - Electronics
- Complete with 1.05" twist lock upper screen. In 24 V with international adapter 230 VAC - 12 VDC 50/60 Hz.
- **NOTE**: Not use silicone lubricants. **OPTIONS**: Electronic LXT - SXT - XTR

Ref	Description	Fam.	Subfam.	Disp. Stock	
FV580LC-001	FLECK VALV. 5800/1600 LXT DF 000-1,5-0,125	023	510		
FV580LR-001	FLECK VALV. 5800/1600 LXT DF 3/4" TURBINE 000-1,5-0,125	023	510		
FV580LR-002	FLECK VALV. 5800/1600 LXT UF 3/4" TURBINE 000-1,5-0,125	023	510		
FV580LC-002	FLECK VALV. 5800/1600 LXT UF 000-1,5-0,125	023	510		
FV580LC-003	FLECK VALV. 5800 FILTER LXT 7 GPM	023	510		
FV580SC-001	FLECK VALV. 5800/1600 SXT DF 1-1,5-0,25	023	510		
FV580SR-001	FLECK VALV. 5800/1600 SXT DF 3/4" TURBINE 1-1,5-0,25	023	510		
FV580SR-002	FLECK VALV. 5800/1600 SXT DF 3/4" TURBINE 0-1,2-0,25	023	510		
FV580SR-003	FLECK VALV. 5800/1600 SXT UF 3/4" TURBINE 00-1,2-0,125	023	510		
FV580SC-003	FLECK VALV. 5800/1600 SXT UF 00-1,2-0,125	023	510		
FV580SC-004	FLECK VALV. 5800 FILTER SXT 7 GPM	023	510		
FV580XC-001	FLECK VALV. 5800/1600 XTR DF 1-1,5-0,25	023	510		
FV580XR-001	FLECK VALV. 5800-1600 XTR DF 3/4" TURBINE 1-1,5-0,25	023	510		
FV580XR-002	FLECK VALV. 5800/1600 XTR UF 3/4" TURBINE 00-1,2-0,25	023	510		
FV580XC-003	FLECK VALV. 5800 FILTER XTR 7 GPM	023	510		

Characteristics	
Tank size (recommended):	Softening System = 6" ÷ 16" Filter = 8" ÷ 16"
In/OutConnections	Threaded 3/4 or 1,5" BSP to order separately
Pressure vessel connection	Threaded 2,5" - 8 UN male
Drain line connection	Threaded 1/2" or 1" NPT
Brine line connection (1600)	Threaded 3/8"
Distributor tube O. D. diameter	1,05" (=27 mm)
Operating pressure	1,4 ÷ 8,5 bar
Water Temperature	1 ÷ 40 °C
Protection class	IP22
Height (from top of tank)	228 mm

Box: WxLxH	Box: Q.ty	Box: Weight	Pallet: WxLxH	Pallet: Q.ty	Pallet: Weight

Certificates	Manufacturer	Sectors
DM174-2004, CE, EAC	Pentair	Domestic



Fleck Residential Valves Series 5800

Accessories

Ref	Description	Fam.	Subfam.	Disp. Stock	
FVA13398-10	1" BSP F BRASS YOKE FOR 5800, 9000 AND 9100 VALVES	023	590		
FVA18706-10	1" BSP M PLASTIC YOKE FOR 5800, 9000 AND 9100 VALVES	023	590		
FVA24689	3/4" BSP M BRASS YOKE FOR 5800, 9000 AND 9100 VALVES	023	590		
FVA18706-12	3/4" BSP M PLASTIC YOKE FOR 5800, 9000 AND 9100 VALVES	023	590		
FVAP80	P80 EMULSION TEMPORARY RUBBER ASSEMBLY LUBRICANT 10 ML TUBE	023	590	•	



Fleck Commercial Valves Series 5810



- Made in USA
- The 5810 control valve is suitable for commercial filter/softening applications.
- The valve body in fiber-reinforced material is UV rays resistant and no subject to corrosion.
- Developed on the same platform as the 5800, the 5810 (1" valve body) valve offers flexibility with a familiar appearance, while reducing carrying costs and product knowledge. The new 5810 valve uses the same electronic as the 5800. The SXT or touchscreen XTR controllers can be interchanged without any special tool thanks to the same plug-and-play connectors. As the 5810 valve allows multiple options, there is no need to stock a variety of control valves for filter or softener applications. Every single 5810 is engineered to adapt easily to a wide variety of water system configurations. Down/Up Flow regeneration, according to the models.
- Valve body in Noryl plastic material = polyphenylene oxide (PPO).
- D. M. n.174 dated 06/04/2004 compliant about materials suitable for contact with water for human consumption.
- Operating Flow Rate = 8.2 m³ / h (36 gpm)
- Backwash Flow rate = 6.3 m³ / h (28 gpm)
- Regeneration:
 - Chronometric: 7 or 12 days
 - Volumetric: delayed or immediate
 - Electronics
- In 24 V with international adapter 230 VAC - 12 VDC 50/60 Hz.
- **NOTE:** Upper diffuser to order separately. The DLFC must be ordered separately. **OPZIONI:** Electronic SXT - XTR

Ref	Description	Fam.	Subfam.	Disp. Stock	
FV5810SC-001	FLECK VALV. 5810 SXT FILTER 158 GPM - 32 MM DISTRIB. ADAPTER	023	512		
FV5810SC-002	FLECK VALV. 5810/1610 sxt #1 inj blfc 0.50 gpm - 1,05" DISTRIB. ADAPTER	023	512		
FV5810SR-001	FLECK VALV. 5810/1610 sxt #1 inj blfc 0.50 gpm - 1,05" DISTRIB. ADAPTER	023	512		
FV5810SR-002	FLECK VALV. 5810/1610 SXT 1.25" INTEGRAL TURB. #4 INJ BLFC 0.50 GPM 32	023	512		
FV5810XC-001	FLECK VALV. 5810/1610 XTR #1 INJ BLFC 0.50 GPM 1.05" DISTRIB. ADAPTER	023	512		
FV5810XC-002	FLECK VALV. 5810/1610 XTR #4 INJ BLFC 0.50 GPM 32 MM DISTRIB. ADAPTER	023	512		
FV5810XR-001	FLECK VALV. 5810/1610 XTR 1.25" INTEGRAL TURB. #1 INJ BLFC 0.50 GPM	023	512		
FV5810XR-002	FLECK VALV. 5810/1610 XTR 1.25" INTEGRAL TURB. #4 INJ BLFC 0.50 GPM	023	512		
FV5810XR-003	FLECK VALV. 5810/1610 XTR 1.25" INTEGRAL TURB. UF #0 INJ BLFC 0.50 GPM	023	512		

Characteristics	
Tank size (recommended):	Softening System = 8" ÷ 21" Filter = 8" ÷ 21"
Connections di Ingresso / Uscita	Threaded 1", 1,25" or 1,5" BSP to order separately
Pressure vessel connection	Threaded 2,5" - 8 UN male
Drain line connection	Threaded ¾" or 1" NPT
Brine line connection (1600)	Threaded ⅜"
Distributor tube O. D. diameter	1,05" (=27 mm) or 32 mm
Operating pressure	1,4 ÷ 8,5 bar
Water Temperature	1 ÷ 40 °C
Protection class	IP22
Height (from top of tank)	287 mm

Box: WxLxH	Box: Q.ty	Box: Weight	Pallet: WxLxH	Pallet: Q.ty	Pallet: Weight

Certificates	Manufacturer	Sectors
DM174-2004 CE, EAC	Pentair	Commercial



Fleck Commercial Valves Series 5810

Accessories

Ref	Description	Fam.	Subfam.	Disp. Stock	
FVA28764	TOP DISTRIBUTOR 32 MM FOR 5810 VALVE	023	590		
FVA28511-01	TOP DISTRIBUTOR 1,05" FOR 5810 FILTER VALVE	023	590		
FVA28511	TOP DISTRIBUTOR 1,05" FOR 5810 SOFTENING VALVE	023	590		
FVA61991-02	CONNECTOR ASSY 1" BSP FOR 5810 VALVE	023	590		
FVA61991-04	CONNECTOR ASSY 1 1/4" BSP FOR 5810 VALVE	023	590		
FVA61991-09	CONNECTOR ASSY 1 1/2" BSP FOR 5810 VALVE	023	590		
FVA28386-ALL	DLFC KIT 1" BSP 10 TO 25 GPM FOR VALVE 5810	023	590		
FVA28385-1.2	DLFC 3/4" BSP ELBOW 1.2 GPM FOR VALVE 5810	023	590		
FVA28385-1.5	DLFC 3/4" BSP ELBOW 1.5 GPM FOR VALVE 5810	023	590		
FVA28385-2	DLFC 3/4" BSP ELBOW 2 GPM FOR VALVE 5810	023	590		
FVA28385-2.4	DLFC 3/4" BSP ELBOW 2.4 GPM FOR VALVE 5810	023	590		
FVA28385-3	DLFC 3/4" BSP ELBOW 3 GPM FOR VALVE 5810	023	590		
FVA28385-3.5	DLFC 3/4" BSP ELBOW 3.5 GPM FOR VALVE 5810	023	590		
FVA28385-4	DLFC 3/4" BSP ELBOW 4 GPM FOR VALVE 5810	023	590		
FVA28385-5	DLFC 3/4" BSP ELBOW 5 GPM FOR VALVE 5810	023	590		
FVA28385-7	DLFC 3/4" BSP ELBOW 7 GPM FOR VALVE 5810	023	590		



Fleck Commercial Valves Series Twin 9000



- Made in European Union (Italy)
- The 9000 is a brass valve with a fully adjustable 5-cycle control for efficient and reliable water treatment for commercial softening applications, suitable for alternating duplex systems.
- It regenerates immediately when needed for continuous soft water, keeping system clean for optimum operating efficiency and minimum maintenance.
- Valve body in brass, which permit to adapt the hot water option up to 65°C.
- Down Flow regeneration
- Operating Flow Rate = 4 m³/h (17 gpm)
- Backwash Flow Rate = 1.9 m³/h (8 gpm)
- Regeneration:
 - Volumetric: delayed or immediate
 - Electronics
- Complete with European Transformer 230-24 V / 50/60 Hz 60 VA and 1.05" twist lock upper screen.
- NOTE: Accessories for the connection of the second tank are not included, to order separately. Upper diffusers included, for both pressure tanks.
- OPTIONS: Electronic SXT - ET; Hot water 65 ° C

Ref	Description	Fam.	Subfam.	Disp. Stock	
FV900SI-600	FLECK VALV. 9000/1600 SXT 3/4" METER 0-1,2-0,25	023	515		
FV900SI-601	FLECK VALV. 9000/1600 SXT 3/4" METER 1-1,5-0,25	023	515		
FV900SI-602	FLECK VALV. 9000/1600 SXT 3/4" METER 1-2,4-0,5	023	515		
FV900SI-603	FLECK VALV. 9000/1600 SXT 3/4" METER 1-2,4-0,5 WITH MS ENG PLUG	023	515		
FV900SI-604	FLECK VALV. 9000/1600 SXT 1" METER 2-2,4-0,5	023	515		
FV900SI-605	FLECK VALV. 9000/1600 SXT 3/4" METER 2-3,5-1	023	515		
FV900SI-606	FLECK VALV. 9000/1600 SXT 3/4" METER 2-4-1	023	515		
FV900SI-607	FLECK VALV. 9000/1600 SXT 3/4" METER 3-5-1	023	515		
FV900SI-608	FLECK VALV. 9000/1600 SXT 3/4" METER 3-7-1	023	515		
FV900MI-600	FLECK VALV. 9000/1600 3/4" METER 8 M3 1-1,5-0,25	023	515		
FV900MI-601	FLECK VALV. 9000/1600 3/4" METER 8 M3 1-2,4-0,5	023	515		
FV900MI-602	FLECK VALV. 9000/1600 3/4" METER 40 M3 1-2,4-0,5	023	515		
FV900MI-603	FLECK VALV. 9000/1600 3/4" METER 40 M3 2-3,5-1	023	515		
FV900MI-604	FLECK VALV. 9000/1600 3/4" METER 40 M3 2-4-1	023	515		
FV900MI-605	FLECK VALV. 9000/1600 3/4" METER 40 M3 3-5-1	023	515		
FV900MI-606	FLECK VALV. 9000/1600 1" METER 100 M3 3-5-1	023	515		
FV900MI-607	FLECK VALV. 9000/1600 3/4" METER 40 M3 3-7-1	023	515		
FV900MI-608	FLECK VALV. 9000/1600 1" METER 100 M3 3-7-1	023	515		
FV900MI-609	FLECK VALV. 9000/1600 1" METER 100 M3 3-7-1	023	515		



Fleck Commercial Valves Series Twin 9000

Accessories

Ref	Description	Fam.	Subfam.	Disp. Stock	
FVA18122	9000 KIT FLEXIBLE 2ND TANK ADAPTER - 200 MM	023	590		
FVA18123	9000 KIT FLEXIBLE 2ND TANK ADAPTER - 400 MM	023	590		
FVA18124	9000 KIT FLEXIBLE 2ND TANK ADAPTER - 500 MM	023	590		
FVA13398-10	1" BSP F BRASS YOKE FOR 5800, 9000 AND 9100 VALVES	023	590		
FVA18706-10	1" BSP M PLASTIC YOKE FOR 5800, 9000 AND 9100 VALVES	023	590		
FVA24689	3/4" BSP M BRASS YOKE FOR 5800, 9000 AND 9100 VALVES	023	590		
FVA18706-12	3/4" BSP M PLASTIC YOKE FOR 5800, 9000 AND 9100 VALVES	023	590		

Characteristics	
Tank size (recommended):	Softening System = 6" ÷ 16"
In/Out Connections	Threaded 3/4" or 1" BSP to be ordered separately in quantities depending on the installation.
Pressure vessel connection	Threaded 2,5" - 8 UN male
Drain line connection	Threaded 1/2" or 1" NPT
Brine line connection (1600)	Threaded 3/8"
Distributor tube O. D. diameter	1,05" (=27 mm)
Operating pressure	1,8 ÷ 8,5 bar
Water Temperature	1 ÷ 40 °C
Protection class	IP22
Height (from top of tank)	165 mm

Box: WxLxH	Box: Q.ty	Box: Weight	Pallet: WxLxH	Pallet: Q.ty	Pallet: Weight

Certificates	Manufacturer	Sectors
DM174-2004 CE, EAC	Pentair	Commercial



Fleck Commercial Valves Series Twin 9100



- Made in European Union (Italy)
- The 9100 is a valve in Noryl plastic material, non-corrosive and UV-resistant, for an efficient water treatment and suitable for commercial softening applications, designed for alternating duplex systems.
- It regenerates immediately when needed for continuous soft water, keeping system clean for optimum operating efficiency and minimum maintenance.
- Valve body in Noryl plastic material = polyphenylene oxide (PPO). **Down Flow regeneration.**
- **Operating Flow Rate** = 4 m³/h (17 gpm) **Backwash Flow Rate** = 1.9 m³/h (8 gpm)
- Regeneration: - Volumetric: delayed or immediate - Electronics
- Complete with: European Transformer 230-24 V / 50/60 Hz 60 VA -1.05" twist lock upper screen -quick connections for the second tank and PVC connection pipes.
- **NOTE:** Accessories for the connection of the second tank are not included, to order separately. Upper diffusers included, for both pressure tanks. **OPTIONS:**Electronic SXT - ET

Ref	Description	Fam.	Subfam.	Disp. Stock	
FV910SI-600	FLECK VAL. 9100/1600 SXT MIXING 3/4" METER 0-1,2-0,25	023	520		
FV910SI-601	FLECK VALV. 9100/1600 SXT 3/4" METER 1-2,4-0,5	023	520		
FV910SI-602	FLECK VALV. 9100/1600 SXT 3/4" METER MSWIRED 1-2,4-0,5	023	520		
FV910SI-603	FLECK VALV. 9100/1600 SXT 3/4" METER MS 1-2,4-0,5	023	520		
FV910SI-604	FLECK VALV. 9100/1600 SXT 3/4" MS 1-2,4-0,5 ENG. PLUG	023	520		
FV910SI-605	FLECK VALV. 9100/1600 SXT MIXING 3/4" METER 1-2,4-0,5	023	520		
FV910SI-606	FLECK VALV. 9100/1600 SXT 3/4" METER 2-3,5-1	023	520		
FV910SI-607	FLECK VALV. 9100/1600 SXT 1" METER 3-5-1	023	520		
FV910SI-608	FLECK VALV. 9100/1600 SXT 3/4" METER 3-5-1	023	520		
FV910MI-600	FLECK VALV. 9100/1600 3/4" METER 8 M3 1-1,2-0,25	023	520		
FV910MI-601	FLECK VALV. 9100/1600 3/4" METER 8 M3 1-1,5-0,5	023	520		
FV910MI-602	FLECK VALV. 9100/1600 3/4" METER 40 M3 1-2,4-0,5	023	520		
FV910MI-603	FLECK VALV. 9100/1600 3/4" METER 40 M3 2-3,5-1	023	520		
FV910MI-604	FLECK VALV. 9100/1600 1" METER 100 M3 3-5-1	023	520		
FV910MI-605	FLECK VALV. 9100/1600 3/4" METER 40 M3 3-7-1	023	520		

Characteristics	
Tank size (recommended):	Softening System = 6" ÷ 16"
In/Out Connections	Threaded 3/4" or 1" BSP to be ordered separately in quantities depending on the installation.
Pressure vessel connection	Threaded 2,5" - 8 UN male
Drain line connection	Threaded 1/2" or 1" NPT o BSP
Brine line connection (1600)	Threaded 3/8"
Distributor tube O. D. diameter	1,05" (=27 mm)
Operating pressure	1,8 ÷ 8,5 bar
Water Temperature	1 ÷ 40 °C
Protection class	IP22
Height (from top of tank)	185 mm

Box: WxLxH	Box: Q.ty	Box: Weight	Pallet: WxLxH	Pallet: Q.ty	Pallet: Weight

Certificates	Manufacturer	Sectors
DM174-2004 CE, EAC	Pentair	Commercial



Fleck Commercial Valves Series Twin 9100

Accessories

Ref	Description	Fam.	Subfam.	Disp. Stock	
FVA28243-07	9100 PVC CONNECTING TUBES 2ND TANK ADAPTER - 7"	023	590		
FVA28243-09	9100 PVC CONNECTING TUBES 2ND TANK ADAPTER - 9"	023	590		
FVA28243-12	9100 PVC CONNECTING TUBES 2ND TANK ADAPTER - 12"	023	590		
FVA28243-16	9100 PVC CONNECTING TUBES 2ND TANK ADAPTER - 16"	023	590		
FVA13398-10	1" BSP F BRASS YOKE FOR 5800, 9000 AND 9100 VALVES	023	590		
FVA18706-10	1" BSP M PLASTIC YOKE FOR 5800, 9000 AND 9100 VALVES	023	590		
FVA24689	3/4" BSP M BRASS YOKE FOR 5800, 9000 AND 9100 VALVES	023	590		
FVA18706-12	3/4" BSP M PLASTIC YOKE FOR 5800, 9000 AND 9100 VALVES	023	590		



Fleck Commercial Valves Series Twin 9500



- Made in European Union (Italy)
- The 9500 is a brass valve, non-corrosive and UV-resistant, with fully adjustable 5-cycle control for an efficient water treatment and suitable for commercial softening applications, designed for alternating duplex systems.
- It regenerates immediately when needed for continuous soft water, keeping system clean for optimum operating efficiency and minimum maintenance.
- Valve body in brass, which permit to adapt the hot water option up to 65°C.
- Down Flow regeneration.
- Operating Flow Rate = 8.4 m³/h (37 gpm)
- Backwash Flow Rate = 3.3 m³/h (14 gpm)
- **Regeneration:** - Volumetric: delayed or immediate - Electronics
- Complete with European Transformer 230-24 V / 50/60 Hz 60 VA
- **NOTE:** Accessories for the connection of the second tank are not included, to order separately. Upper diffusers included, for both pressure tanks
- **OPTIONS:** Electronic SXT - ET; Hot water 65 ° C

Ref	Description	Fam.	Subfam.	Disp. Stock	
FV950SI-600	FLECK VALV. 9500/1650 SXT 1.5" METER 3-5-1	023	525		
FV950SI-601	FLECK VALV. 9500/1650 SXT 1.5" INLINE METER 3-5-1	023	525		
FV950SI-602	FLECK VALV. 9500/1650 SXT 1.5" METER MS 3-5-1 ENG. PLUG	023	525		
FV950SI-603	FLECK VALV. 9500/1710 SXT 1.5" METER 3C-7-1,2	023	525		
FV950SI-604	FLECK VALV. 9500/1710 SXT 1.5" METER 4C-10-2	023	525		
FV950SI-605	FLECK VALV. 9500/1710 SXT 1.5" METER 4C-15-2	023	525		
FV950SI-606	FLECK VALV. 9500/1710 SXT 1.5" INLINE METER 4C-15-2	023	525		
FV950SI-607	FLECK VALV. 9500/1710 SXT 1.5" METER MS 4C-15-2 ENG. PLUG	023	525		
FV950EI-600	FLECK VALV. 9500/1650 ET 1.5" METER 3-5-1	023	525		
FV950EI-601	FLECK VALV. 9500/1710 ET 1.5" METER 4C-15-2	023	525		
FV950MI-600	FLECK VALV. 9500/1650 1.5" METER 40 M3 3-5-1	023	525		
FV950MI-602	FLECK VALV. 9500/1710 1.5" METER 200 M3 4C-10-2	023	525		
FV950MI-603	FLECK VALV. 9500/1710 1.5" METER 200 M3 MSWIRED 4C-10-2	023	525		
FV950MI-604	FLECK VALV. 9500/1710 1.5" METER 40 M3 4C-10-2	023	525		
FV950MI-606	FLECK VALV. 9500/1710 1.5" METER 40 M3 4C-15-2	023	525		

Accessories

Ref	Description	Fam.	Sotto Fam.	Disp. Stock	
FVA28137-16	9500 KIT COPPER TUBES 2ND TANK ADAPTER - 16"	023	590		
FVA28137-20	9500 KIT COPPER TUBES 2ND TANK ADAPTER - 20"	023	590		
FVA28137-24	9500 KIT COPPER TUBES 2ND TANK ADAPTER - 24"	023	590		



Fleck Commercial Valves Series Twin 9500

Characteristics	
Tank size (recommended):	Softening System = 10" ÷ 24"
CIn/Out onnections	Threaded 1,5" BSP
Pressure vessel connection	Threaded 4" - 8 UN male
Drain line connection	Threaded ½" NPT or BSP
Brine line connection (1650)	Threaded ¾"
Brine line connection (1710)	Threaded 1"
Distributor tube O. D. diameter	50 mm
Operating pressure	1,8 ÷ 8,5 bar
Water Temperature	1 ÷ 40 °C
Protection class	IP22
Height (from top of tank)	185 mm

Box: WxLxH	Box: Q.ty	Box: Weight	Pallet: WxLxH	Pallet: Q.ty	Pallet: Weight

Certificates	Manufacturer	Sectors
DM174-2004 CE, EAC	Pentair	Commercial

Accessories

Ref	Description	Fam.	Subfa m.	Disp. Stock	
FVA28137-16	9500 KIT COPPER TUBES 2ND TANK ADAPTER - 16"	023	590		
FVA28137-20	9500 KIT COPPER TUBES 2ND TANK ADAPTER - 20"	023	590		
FVA28137-24	9500 KIT COPPER TUBES 2ND TANK ADAPTER - 24"	023	590		



Fleck Industrial Valves Series 2750



- Made in European Union (Italy)
- The 2750 control valve is suitable for small commercial and industrial filter or softening applications, designed for systems with one or more columns.
- It is a single piston valve, with a protective cover water, corrosion and UV rays resistant.
- Valve body in brass.
- Down Flow regeneration
- Operating Flow Rate = 5.9 m³/h (26 gpm)
- Backwash Flow Rate = 5.6 m³/h (25 gpm)
- Regeneration: Manual - Chronometric: 7 or 12 days
- - Volumetric: delayed or immediate -Electronics
- Complete with European Transformer 230-24 V / 50/60 Hz 60 VA and 1.05" twist lock upper screen.
- NOTE: For electronic models, the meter is not included, to order separately. For the filter valves, the DLFC is not included, to order separately.
- For NXT multi valve systems, please order (quantity = n-1 valves) the cable kit NXT (ref.FVABU41692) separately;
- OPTIONS: NBP piston - Manual filter - SXT - NXT electronics - Mechanical controllers for simplex and duplex - Hot water - mechanical only 65 ° C volumetric or 82 ° C chronometric

Ref	Description	Fam.	Subfam.	Disp. Stock	
FV275XC-600	FLECK VALV. 2750/1710 NO TIMER MSWIRED 4C-10-2	023	530		
FV275XC-601	FLECK VALV. 2750/1650 NO TIMER MSWIRED 3-5-1	023	530		
FV275XC-602	FLECK VALV. 2750/1600 NO TIMER HW MSWIRED 3-5-1	023	530		
FV275SC-600	FLECK VALV. 2750 FILTER SXT	023	530		
FV275SC-601	FLECK VALV. 2750 FILTER SXT NBP	023	530		
FV275SC-602	FLECK VALV. 2750 FILTER SXT NBP HW	023	530		
FV275SC-603	FLECK VALV. 2750/1650 SXT 3-5-1	023	530		
FV275NC-600	FLECK VALV. 2750 FILTER NXT NBP	023	530		
FV275NC-601	FLECK VALV. 2750 FILTER NXT	023	530		
FV275NC-602	FLECK VALV. 2750/1650 NXT 3-5-1	023	530		
FV275NC-603	FLECK VALV. 2750/1650 NXT NBP 3-5-1	023	530		
FV275NC-604	FLECK VALV. 2750/1710 NXT NBP 4C-10-2	023	530		
FV275NC-605	FLECK VALV. 2750/1600 NXT HW MSWIRED 3-5-1	023	530		
FV275NC-606	FLECK VALV. 2750/1600 NXT HW MSWIRED NBP 3-5-1	023	530		

Characteristics	
Tank size (recommended):	Softening System = 10" ÷ 24" Filter = 10" ÷ 21"
In/Out Connections	Threaded 1,5" BSP F
Pressure vessel connection	Threaded 2,5" - 8 UN male
Drain line connection	Threaded ¾" NPT or BSP
Brine line connection (1600)	Threaded ⅜"
Brine line connection (1710)	Threaded ½"
Distributor tube O. D. diameter	1,05" (=27 mm)
Operating pressure	1,8 ÷ 8,5 bar
Water Temperature	1 ÷ 40 °C
Protection class	IP22
Height (from top of tank)	165 mm

Box: WxLxH	Box: Q.ty	Box: Weight	Pallet: WxLxH	Pallet: Q.ty	Pallet: Weight

Certificates	Manufacturer	Sectors
DM174-2004 CE, EAC	Pentair	Commercial, Industrial



Fleck Industrial Valves Series 2750

Ref	Description	Fam.	Subfam.	Disp. Stock	
FV275XM-600	FLECK VALV. 2750 FILTER MANUAL	023	530		
FV275XM-601	FLECK VALV. 2750 FILTER MANUAL NBP	023	530		
FV275MC-600	FLECK VALV. 2750 FILTER 12 DAYS	023	530		
FV275MC-601	FLECK VALV. 2750 FILTER 12 DAYS NBP	023	530		
FV275MC-602	FLECK VALV. 2750/1650 12 DAYS 3-5-1	023	530		
FV275XM-600	FLECK VALV. 2750 FILTER MANUAL	023	530		
FV275XM-601	FLECK VALV. 2750 FILTER MANUAL NBP	023	530		
FV275MC-600	FLECK VALV. 2750 FILTER 12 DAYS	023	530		
FV275MC-601	FLECK VALV. 2750 FILTER 12 DAYS NBP	023	530		
FV275MC-602	FLECK VALV. 2750/1650 12 DAYS 3-5-1	023	530		
FV275MC-603	FLECK VALV. 2750/1710 12 DAYS 4C-10-2	023	530		
FV275MR-600	FLECK VALV. 2750/1650 1" METER (100 M3) 3-5-1	023	530		
FV275MP-600	FLECK VALV. 2750/1650 PULSE 3-5-1	023	530		

Box: WxLxH	Box: Q.ty	Box: Weight	Pallet: WxLxH	Pallet: Q.ty	Pallet: Weight

Certificates	Manufacturer	Sectors
DM174-2004 CE, EAC	Pentair	Commercial, Industrial

Accessories

Ref	Description	Fam.	Subfam.	Disp. Stock	
FVA24202-10	DLFC 3/4" NPT - 3/4" BSP 2750 - 10 GPM	023	590		
FVA24202-12	DLFC 3/4" NPT - 3/4" BSP 2750 - 12 GPM	023	590		
FVA24202-15	DLFC 3/4" NPT - 3/4" BSP 2750 - 15 GPM	023	590		
FVA24202-20	DLFC 3/4" NPT - 3/4" BSP 2750 - 20 GPM	023	590		
FVA24202-25	DLFC 3/4" NPT - 3/4" BSP 2750 - 25 GPM	023	590		
FVA24202-9	DLFC 3/4" NPT - 3/4" BSP 2750 - 9 GPM	023	590		
FVA24212-1.2	DLFC 3/4" NPT - 1/2" NPT 2750 - 1,2 GPM	023	590		
FVA24212-1.5	DLFC 3/4" NPT - 1/2" NPT 2750 - 1,5 GPM	023	590		
FVA24212-2	DLFC 3/4" NPT - 1/2" NPT 2750 - 2 GPM	023	590		
FVA24212-2.4	DLFC 3/4" NPT - 1/2" NPT 2750 - 2,4 GPM	023	590		
FVA24212-3	DLFC 3/4" NPT - 1/2" NPT 2750 - 3 GPM	023	590		
FVA24212-3.5	DLFC 3/4" NPT - 1/2" NPT 2750 - 3,5 GPM	023	590		
FVA24212-4	DLFC 3/4" NPT - 1/2" NPT 2750 - 4 GPM	023	590		
FVA24212-5	DLFC 3/4" NPT - 1/2" NPT 2750 - 5 GPM	023	590		
FVA24212-7	DLFC 3/4" NPT - 1/2" NPT 2750 - 7 GPM	023	590		
FVA29096	KIT METER SS ASSY 1" NT/NXT	023	590		
FVABU41692	CABLE KIT NXT	023	590		



Fleck Industrial Valves Series 2850



- Made in European Union (Italy)
- The 2850 control valve is suitable for small commercial and industrial filtration or softening applications, designed for systems with one or more columns.
- Valve body in brass.
- It is a single piston valve, with a cover non-corrosive, water and UV resistant.
- Down Flow regeneration
- Operating Flow Rate = 11.6 m³/h (51 gpm)
- Backwash Flow Rate = 11.1 m³/h (48 gpm)
- Regeneration: -Manual - Chronometric: 7 or 12 days - Volumetric: delayed or immediate - Electronics
- Complete with European Transformer 230-24 V / 50/60 Hz 60 VA and 2 " - Kit 8 upper screen.
- NOTE:For electronic models, the meter is not included, to order separately. For the filter valves, the DLFC is not included, to order separately.
- For NXT multi valve systems, please order (quantity = n-1 valves) the cable kit NXT (ref.FVABU41692) separately;
- OPTIONS: NBP piston - Manual filter - Electronic SXT - NXT - Mechanical timers for simplex and duplex - Hot water - mechanical only 65° C volumetric or 82° C chronometric.

Ref	Description	Fam.	Subfam.	Disp. Stock	
FV285MC-600	FLECK VALV. 2850 FILTER 12 DAYS	023	535		
FV285MC-601	FLECK VALV. 2850 FILTER 12 DAYS NBP	023	535		
FV900MI-609	FLECK VALV. 9000/1600 1" METER 100 M3 3-7-1	023	515		
FV285MC-603	FLECK VALV. 2850/1710 12 DAYS 3C-7-1,2	023	535		
FV285MC-604	FLECK VALV. 2850/1710 12 DAYS 4C-10-2	023	535		
FV285MC-605	FLECK VALV. 2850/1710 12 DAYS 4C-10-2 NBP	023	535		
FV285MC-606	FLECK VALV. 2850/1710 12 DAYS 4C-15-2	023	535		
FV285MR-600	FLECK VALV. 2850/1650 1.5" METER 40 M3 3-5-1	023	535		
FV285MR-601	FLECK VALV. 2850/1710 1.5" METER 200 M3 4C-10-2	023	535		
FV285MR-602	FLECK VALV. 2850/1710 1.5" METER 200 M3 4C-10-2 NBP	023	535		
FV285XM-600	FLECK VALV. 2850 FILTER MANUAL NBP	023	535		
FV285XC-600	FLECK VALV. 2850/1710 NOTIMER MSWIRED 4C-10-2	023	535		
FV285XC-601	FLECK VALV. 2850/1710 NOTIMER MSWIRED 4C-10-2 NBP	023	535		
FV285SC-600	FLECK VALV. 2850 FILTER SXT	023	535		

Characteristics	
Tank size (recommended):	Softening System = 10" ÷ 30" Filter = 10" ÷ 24"
In/Out Connections	Threaded 1,5" BSP F
Pressure vessel connection	Threaded 4" - 8 UN male
Drain line connection	Threaded 1" NPT or BSP
Brine line connection (1650)	Threaded 3/8"
Brine line connection (1710)	Threaded 1/2"
Distributor tube O. D. diameter	3/4 pollice NPT
Operating pressure	50 mm
Water Temperature	1 ÷ 40 °C
Protection class	IP22
Height (from top of tank)	165 mm

Box: WxLxH	Box: Q.ty	Box: Weight	Pallet: WxLxH	Pallet: Q.ty	Pallet: Weight

Certificates	Manufacturer	Sectors
DM174-2004 CE, EAC	Pentair	Commercial, Industrial



Fleck Industrial Valves Series 2850

Ref	Description	Fam.	Subfam.	Disp. Stock	
FV285SC-601	FLECK VALV. 2850 FILTER SXT NBP	023	535		
FV285SC-602	FLECK VALV. 2850/1650 SXT 3-5-1	023	535		
FV285SC-603	FLECK VALV. 2850/1650 SXT 3-5-1 NBP	023	535		
FV285SC-604	FLECK VALV. 2850/1710 SXT 3C-7-1,2	023	535		
FV285SC-605	FLECK VALV. 2850/1710 SXT 4C-10-2	023	535		
FV285SC-606	FLECK VALV. 2850/1710 SXT 4C-10-2 NBP	023	535		
FV285SC-607	FLECK VALV. 2850/1710 SXT 4C-15-2	023	535		
FV285SC-608	FLECK VALV. 2850/1710 SXT 5C-25-4 NBP	023	535		
FV285NC-600	FLECK VALV. 2850 FILTER NXT	023	535		
FV285NC-601	FLECK VALV. 2850 FILTER NXT NBP	023	535		
FV285NC-602	FLECK VALV. 2850/1650 NXT NBP 3-5-1	023	535		
FV285NC-603	FLECK VALV. 2850/1710 NXT NBP 4C-10-2	023	535		
FV285NC-604	FLECK VALV. 2850/1710 NXT NBP 4C-15-2	023	535		
FV285NC-605	FLECK VALV. 2850/1710 NXT NBP 5C-25-4	023	535		
FV285NC-606	FLECK VALV. 2850/1650 NXT 3-5-1	023	535		
FV285NC-607	FLECK VALV. 2850/1710 NXT 4C-10-2	023	535		
FV285NC-608	FLECK VALV. 2850/1710 NXT 4C-15-2	023	535		
FV285NC-609	FLECK VALV. 2850/1710 NXT 5C-25-4	023	535		

Box: WxLxH	Box: Q.ty	Box: Weight	Pallet: WxLxH	Pallet: Q.ty	Pallet: Weight

Certificates	Manufacturer	Sectors
DM174-2004 CE, EAC	Pentair	Commercial, Industrial

Accessories

Ref	Description	Fam.	Subfam.	Disp. Stock	
FVA13640	DOLE 30 GPM 2850/2910	023	590		
FVA25171-1.2	DLFC 1" NPT - 3/4" BSP ASSY 1.2 GPM 2850/2910/9500	023	590		
FVA25171-1.5	DLFC 1" NPT - 3/4" BSP ASSY 1.5 GPM 2850/2910/9500	023	590		
FVA25171-2	DLFC 1" NPT - 3/4" BSP ASSY 2 GPM 2850/2910/9500	023	590		
FVA25171-2.4	DLFC 1" NPT - 3/4" BSP ASSY 2.4 GPM 2850/2910/9500	023	590		
FVA25171-3	DLFC 1" NPT - 3/4" BSP ASSY 3 GPM 2850/2910/9500	023	590		
FVA25171-4	DLFC 1" NPT - 3/4" BSP ASSY 4 GPM 2850/2910/9500	023	590		
FVA25171-5	DLFC 1" NPT - 3/4" BSP ASSY 5 GPM 2850/2910/9500	023	590		
FVA25171-7	DLFC 1" NPT - 3/4" BSP ASSY 7 GPM 2850/2910/9500	023	590		
FVA25581-8	DLFC 1" NPT - 3/4" BSP ASSY 2850/2910/9500	023	590		
FVA25581-9	DLFC 1" NPT - 3/4" BSP ASSY 2850/2910/9500	023	590		
FVA25581-ALL	KIT DLFC 1" 2850/2910/9500 10 TO 25 GPM	023	590		
FVA29097	KIT METER SS ASSY 1,5" NT/NXT	023	590		
FVA29098	KIT METER SS ASSY 2" NT/NXT	023	590		
FVA29111-3045	KIT DLFC 2" BSP W/REDUCER 2" TO 1" 30 TO 45 GPM 2850 FILTER	023	590		
FVABU41692	CABLE KIT NXT	023	590		



Fleck Industrial Valves Series 2910



- Made in European Union (Italy).
- The 2910 control valve is suitable for industrial and multivalve systems, for filtration or softening applications.
- Valve body in brass.
- It is a valve characterized by superior strength with improved 2 piston-system technology to drive independent flows of service and regeneration, with a cover non-corrosive, water and UV resistant.
- Down/Up Flow regeneration, according to the models.
- Operating Flow Rate = 24 m³/h (105 gpm)
- Backwash Flow Rate = 8 m³/h (35 gpm)
- Regeneration: - Chronometric: 7 or 12 days - Volumetric: delayed or immediate - Electronics
- Complete with European Transformer 230-24 V / 50/60 Hz 60 VA and 2 " - Kit 8 upper screen.
- NOTE: For electronic models, the meter is not included, to order separately. For the filter valves, the DLFC is not included, to order separately.
- For NXT multi valve systems, please order (quantity = n-1 valves) the cable kit NXT (ref.FVABU41692) separately;
- OPTIONS: NBP piston - Filter; Electronic SXT - NXT - Mechanical controllers for simplex and duplex - Hot water - mechanical only 65° C volumetric or 82° C chronometric.

Ref	Description	Fam.	Subfam.	Disp. Stock	Price Euro
FV291MD-605	FLECK VAL. 2910/1710 DUPLEX B #7 NBP 4C-15-2	023	540		2191,92
FV291MD-606	FLECK VAL. 2910/1710 DUPLEX A #7 NBP 5C-25-4	023	540		2191,92
FV291MD-607	FLECK VAL. 2910/1710 DUPLEX B #7 NBP 5C-25-4	023	540		2191,92
FV291MD-608	FLECK VAL. 2910/1710 DUPLEX A #7 NBP 6C-30-4	023	540		2191,92
FV291MD-609	FLECK VAL. 2910/1710 DUPLEX B #7 NBP 6C-30-4	023	540		2191,92
FV291MC-601	FLECK VALV. 2910/1650 12 DAYS DF 3-5-1	023	540		1908,81
FV291MC-602	FLECK VALV. 2910/1710 12 DAYS DF 3C-7-1,2	023	540		1978,38
FV291MC-603	FLECK VALV. 2910/1710 12 DAYS DF 3C-10-2	023	540		1978,38
FV291MC-604	FLECK VALV. 2910/1710 12 DAYS DF 4C-15-2	023	540		1978,38
FV291MC-605	FLECK VALV. 2910/1710 12 DAYS DF 6C-25-4	023	540		1978,38
FV291MC-606	FLECK VALV. 2910/1710 12 DAYS DF 4C-15-2 NBP	023	540		1978,38
FV291MR-600	FLECK VALV. 2910/1650 2" METER 75 M3 3-5-1	023	540		2945,40
FV291MR-601	FLECK VALV. 2910/1710 2" METER 375 M3 3C-7-1,2	023	540		1902,90
FV291MR-602	FLECK VALV. 2910/1710 2" METER 75 M3 3C-7-1,2	023	540		3014,97
FV291SC-600	FLECK VALV. 2910/1650 SXT 3-5-1	023	540		1901,01
FV291SC-601	FLECK VALV. 2910/1710 SXT 3C-7-1,2	023	540		1970,58
FV291SC-602	FLECK VALV. 2910/1710 SXT 4C-10-2	023	540		1970,58
FV291SC-603	FLECK VALV. 2910/1710 SXT 4C-15-2	023	540		1629,21
FV291SC-604	FLECK VALV. 2910/1710 SXT 5C-25-4	023	540		1970,58
FV291NC-600	FLECK VALV. 2910/1650 NXT 3-7-1 NBP	023	540		2262,51

Characteristics	
Tank size (recommended):	Softening System = 14" ÷ 36" Filter = 14" ÷ 24"
In/Out Connections	Threaded 2" BSP F
Pressure vessel connection	Threaded 4" - 8 UN male
Drain line connection	Threaded 1" NPT or BSP
Brine line connection (1650)	Threaded 3/8"
Brine line connection (1710)	Threaded 1/2"
Distributor tube O. D. diameter	50 mm
Operating pressure	1,8 ÷ 8,5 bar
Water Temperature	1 ÷ 40 °C
Protection class	IP22
Height (from top of tank)	305 mm



Ref	Description	Fam.	Subfam.	Disp. Stock	
FV291NC-601	FLECK VALV. 2910/1710 NXT 3C-10-2 NBP	023	540		
FV291NC-602	FLECK VALV. 2910/1710 NXT 4C-10-2 NBP	023	540		
FV291NC-603	FLECK VALV. 2910/1710 NXT 4C-15-2 NBP	023	540		
FV291NC-604	FLECK VALV. 2910/1710 NXT 6C-25-4	023	540		
FV291NC-605	FLECK VALV. 2910/1710 NXT 6C-25-4 NBP	023	540		
FV291NC-606	FLECK VALV. 2910/1710 NXT 7C-30-7 NBP	023	540		
FV291NC-607	FLECK VALV. 2910/1710 NXT 4C-15-2 HW	023	540		
FV291NC-608	FLECK VALV. 2910/1710 NXT 4C-15-2 HW NBP	023	540		
FV291NC-609	FLECK VALV. 2910/1710 NXT UF 4C-15-2	023	540		
FV291NC-610	FLECK VALV. 2910/1710 NXT UF 4C-15-2 NBP	023	540		
FV291XC-600	FLECK VALV. 2910/1650 NOTIMER 3-5-1 NBP	023	540		
FV291XC-601	FLECK VALV. 2910/1650 NOTIMER 3-7-1 NBP	023	540		
FV291XC-602	FLECK VALV. 2910/1710 NOTIMER 4C-10-2 NBP	023	540		
FV291XC-603	FLECK VALV. 2910/1710 NOTIMER 5C-15-2 NBP	023	540		
FV291XC-604	FLECK VALV. 2910/1710 NOTIMER 5C-25-4 NBP	023	540		
FV291XC-605	FLECK VALV. 2910/1710 NOTIMER 7C-30-7 NBP	023	540		
FV291XC-606	FLECK VALV. 2910/1710 NOTIMER NOPLUG 4C-15-2 NBP	023	540		
FV291XC-607	FLECK VALV. 2910/1710 NOTIMER NOPLUG 5C-25-2 NBP	023	540		
FV291XP-600	FLECK VALV. 2910/1700 NOTIMER NOPLUG 6C-25-4-HW	023	540		

Box: WxLxH	Box: Q.ty	Box: Weight	Pallet: WxLxH	Pallet: Q.ty	Pallet: Weight

Certificates	Manufacturer	Sectors
DM174-2004 CE, EAC	Pentair	Industrial

Accessories

Ref	Description	Fam.	Subfam.	Disp. Stock	
FVA13640	DOLE 30 GPM 2850/2910	023	590		
FVA25171-1.2	DLFC 1" NPT - 3/4" BSP ASSY 1.2 GPM 2850/2910/9500	023	590		
FVA25171-1.5	DLFC 1" NPT - 3/4" BSP ASSY 1.5 GPM 2850/2910/9500	023	590		
FVA25171-2	DLFC 1" NPT - 3/4" BSP ASSY 2 GPM 2850/2910/9500	023	590		
FVA25171-2.4	DLFC 1" NPT - 3/4" BSP ASSY 2.4 GPM 2850/2910/9500	023	590		
FVA25171-3	DLFC 1" NPT - 3/4" BSP ASSY 3 GPM 2850/2910/9500	023	590		
FVA25171-4	DLFC 1" NPT - 3/4" BSP ASSY 4 GPM 2850/2910/9500	023	590		
FVA25171-5	DLFC 1" NPT - 3/4" BSP ASSY 5 GPM 2850/2910/9500	023	590		
FVA25171-7	DLFC 1" NPT - 3/4" BSP ASSY 7 GPM 2850/2910/9500	023	590		
FVA25581-10	DLFC 1" NPT - 3/4" BSP ASSY 2850/2910/9500	023	590		
FVA25581-12	DLFC 1" NPT - 3/4" BSP ASSY 2850/2910/9500	023	590		
FVA25581-15	DLFC 1" NPT - 3/4" BSP ASSY 2850/2910/9500	023	590		
FVA25581-20	DLFC 1" NPT - 3/4" BSP ASSY 2850/2910/9500	023	590		
FVA25581-25	DLFC 1" NPT - 3/4" BSP ASSY 2850/2910/9500	023	590		
FVA25581-8	DLFC 1" NPT - 3/4" BSP ASSY 2850/2910/9500	023	590		
FVA25581-9	DLFC 1" NPT - 3/4" BSP ASSY 2850/2910/9500	023	590		
FVA25581-ALL	KIT DLFC 1" 2850/2910/9500 10 TO 25 GPM	023	590		
FVA29097	KIT METER SS ASSY 1,5" NT/NXT	023	590		
FVA29098	KIT METER SS ASSY 2" NT/NXT	023	590		
FVA28295	KIT METER ELECTRONIC 2" PLASTIC 2910/3150	023	590		
FVABU41692	CABLE KIT NXT	023	590		



Fleck Industrial Valves Series 3150

- Made in European Union (Italy)
- The 3150 is a fully adjustable 3- or 5-cycle control valve for an efficient and reliable water treatment, suitable for industrial filtration and softening applications. Valve body in brass.
- It is a valve characterized by considerable strength, with a cover non-corrosive, water and UV resistant.
- Down Flow regeneration
- Operating Flow Rate = 22 m³/h (97 gpm)
- Backwash Flow Rate = 24 m³/h (105 gpm)
- Regeneration:
 - - Chronometric: 7 or 12 days
 - - Volumetric: delayed or immediate
 - - Electronics
- Complete with European Transformer 230-24 V / 50/60 Hz 60 VA and 2 "- Kit 8 upper screen.
- NOTE: Adapter for top or side mount is not included, to be ordered separately. For electronic models, the meter is not included, to order separately. For the filter valves, the DLFC is not included, to order separately.
- For NXT multi valve systems, please order (quantity = n-1 valves) the cable kit NXT (ref.FVABU41692) separately;
- OPTIONS:
 - NBP piston
 - Filter;
 - Electronic NXT
 - Mechanical controllers for simplex and duplex
 - Hot water - mechanical only 65° C volumetric or 82° C chronometric.

Ref	Description	Fam.	Subfam.	Disp. Stock	
FV315MC-600	FLECK VALV. 3150 FILTER 12 DAYS	023	545		
FV315MC-601	FLECK VALV. 3150 FILTER 12 DAYS NBP	023	545		
FV315NC-600	FLECK VALV. 3150 FILTER NXT	023	545		
FV315NC-601	FLECK VALV. 3150 FILTER NXT NBP	023	545		
FV315NC-602	FLECK VALV. 3150 FILTER NXT NBP HW	023	545		
FV315NC-603	FLECK VALV. 3150/1800 NXT 4-20-5	023	545		
FV315NC-604	FLECK VALV. 3150/1800 NXT 4-20-5 NBP	023	545		
FV315NC-605	FLECK VALV. 3150/1800 NXT 5-25-5	023	545		
FV315NC-606	FLECK VALV. 3150/1800 NXT 5-25-5 NBP	023	545		
FV315NC-607	FLECK VALV. 3150/1800 NXT 6-35-5	023	545		

Characteristics	
Tank size (recommended):	Softening System = 24" ÷ 42" (Side mount filter 63") Filtrtr = 24" ÷ 42"
In/OutConnections	Threaded 2" BSP
Pressure vessel connection	Threaded 4" - 8 UN male
Drain line connection	Threaded 2" NPT o BSP
Brine line connection (1800)	Threaded 1" NPT
Distributor tube O. D. diameter	63 mm
Operating pressure	1,8 ÷ 8,5 bar
Water Temperature	1 ÷ 40 °C
Protection class	IP22
Height (from top of tank)	254 mm

Box: WxLxH	Box: Q.ty	Box: Weight	Pallet: WxLxH	Pallet: Q.ty	Pallet: Weight

Certificates	Manufacturer	Sectors
DM174-2004 CE, EAC	Pentair	Industrial



Fleck Industrial Valves Series 3150

Ref	Description	Fam.	Subfam.	Disp. Stock	
FV315NC-608	FLECK VALV. 3150/1800 NXT 6-35-5 NBP	023	545		
FV315NC-609	FLECK VALV. 3150/1800 NXT 7-50-10	023	545		
FV315NC-610	FLECK VALV. 3150/1800 NXT 7-50-10 NBP	023	545		
FV315NC-611	FLECK VALV. 3150/1800 NXT 8-70-10	023	545		
FV315NC-612	FLECK VALV. 3150/1800 NXT 8-70-10 NBP	023	545		
FV315NC-613	FLECK VALV. 3150/1800 NXT 9-80-10	023	545		
FV315NC-614	FLECK VALV. 3150/1800 NXT 9-80-10 NBP	023	545		
FV315NC-615	FLECK VALV. 3150/1800 NXT 10-100-10	023	545		
FV315NC-616	FLECK VALV. 3150/1800 NXT 10-100-10 NBP	023	545		
FV315XC-600	FLECK VALV. 3150/1800 NOTIMER MSWIRED 4-20-5	023	545		
FV315XC-601	FLECK VALV. 3150/1800 NOTIMER NOPLUG7-50-10 HW	023	545		
FV315XC-602	FLECK VALV. 3150/1800 NOTIMER MSWIRED 4-20-5 NBP	023	545		

Box: WxLxH	Box: Q.ty	Box: Weight	Pallet: WxLxH	Pallet: Q.ty	Pallet: Weight

Certificates	Manufacturer	Sectors
DM174-2004 CE, EAC	Pentair	Industrial

Accessories

Ref	Description	Fam.	Subfam.	Disp. Stock	
FVA18023	TANK DAPT ASSY 3150 SM	023	590		
FVA18024	TANK ADAPT ASSY 3150 TM	023	590		
FVA25580-100	DLFC 2" BSP- 2" BSP ASSY 100 GPM 3150/3900	023	590		
FVA25580-20	DLFC 2" BSP- 2" BSP ASSY 20 GPM 3150/3900	023	590		
FVA25580-25	DLFC 2" BSP- 2" BSP ASSY 25 GPM 3150/3900	023	590		
FVA25580-35	DLFC 2" BSP- 2" BSP ASSY 35 GPM 3150/3900	023	590		
FVA25580-40	DLFC 2" BSP- 2" BSP ASSY 40 GPM 3150/3900	023	590		
FVA25580-45	DLFC 2" BSP- 2" BSP ASSY 45 GPM 3150/3900	023	590		
FVA25580-50	DLFC 2" BSP- 2" BSP ASSY 50 GPM 3150/3900	023	590		
FVA25580-55	DLFC 2" BSP- 2" BSP ASSY 55 GPM 3150/3900	023	590		
FVA25580-60	DLFC 2" BSP- 2" BSP ASSY 60 GPM 3150/3900	023	590		
FVA25580-65	DLFC 2" BSP- 2" BSP ASSY 65 GPM 3150/3900	023	590		
FVA25580-70	DLFC 2" BSP- 2" BSP ASSY 70 GPM 3150/3900	023	590		
FVA25580-75	DLFC 2" BSP- 2" BSP ASSY 75 GPM 3150/3900	023	590		
FVA25580-80	DLFC 2" BSP- 2" BSP ASSY 80 GPM 3150/3900	023	590		
FVA25580-85	DLFC 2" BSP- 2" BSP ASSY 85 GPM 3150/3900	023	590		
FVA25580-90	DLFC 2" BSP- 2" BSP ASSY 90 GPM 3150/3900	023	590		
FVA25580-95	DLFC 2" BSP- 2" BSP ASSY 95 GPM 3150/3900	023	590		
FVA25580-ALL	DLFC KIT 2" 3150/3900 30 TO 100 GPM 3150/3900	023	590		
FVA29098	KIT METER SS ASSY 2" NT/NXT	023	590		
FVA28295	KIT METER ELECTRONIC 2" PLASTIC 2910/3150	023	590		
FVABU41692	CABLE KIT NXT	023	590		



Fleck Industrial Valves Series 3900



- Made in European Union (Italy)
- The 3900 is a fully adjustable 3- or 5-cycle control valve for an efficient and reliable water treatment, suitable for industrial and multivalve systems, for filtration and softening applications.
- Valve body in brass.
- It is a valve characterized by considerable strength, with a cover non-corrosive, water and UV resistant.
- Down/Up Flow regeneration, according to the models.
- Operating Flow Rate = 57 m³/h (250 gpm)
- Backwash Flow Rate = 24 m³/h (105 gpm)
- Regeneration: Chronometric: 7 or 12 days - Electronics
- Complete with European Transformer 230-24 V / 50/60 Hz 60 VA
- NOTE: Upper screen is not included, to be ordered separately.
- Adapter for top or side mount is not included, to be ordered separately. For the filter valves, the DLFC is not included, to order separately.
- For NXT multi valve systems, please order (quantity = n-1 valves) the cable kit NXT (ref.FVABU41692) separately;
- OPTIONS: NBP piston - Filter - NXT electronics
- Mechanical controllers for simplex and duplex
- Hot water - mechanical only 65° C volumetric or 82° C chronometric.

Ref	Description	Fam.	Subfam.	Disp. Stock	
FV390NC-600	FLECK VALV. 3900 FILTER NXT	023	550		
FV390NC-601	FLECK VALV. 3900 FILTER NXT NBP	023	550		
FV390MC-600	FLECK VALV. 3900/1800 12 DAYS NBP 6-35-5	023	550		
FV390MC-601	FLECK VALV. 3900/1800 12 DAYS NBP 7-50-10	023	550		
FV390MC-602	FLECK VALV. 3900/1800 12 DAYS 10-100-10	023	550		
FV390MC-603	FLECK VALV. 3900/1800 12 DAYS UF NBP 7-50-10	023	550		
FV390NC-602	FLECK VALV. 3900/1800 NXT 6-35-5	023	550		
FV390NC-603	FLECK VALV. 3900/1800 NXT 7-50-10	023	550		
FV390NC-604	FLECK VALV. 3900/1800 NXT 8-70-10	023	550		
FV390NC-605	FLECK VALV. 3900/1800 NXT NBP 5-25-5	023	550		
FV390NC-606	FLECK VALV. 3900/1800 NXT NBP 6-35-5	023	550		
FV390NC-607	FLECK VALV. 3900/1800 NXT NBP 7-50-10	023	550		

Characteristics	
Tank size (recommended):	Softening System = 30" ÷ 63" Side Mount Filter = 24" ÷ 42"
In/Out Connections	Threaded 3" BSP
Pressure vessel connection	Threaded 6" o Side mount
Drain line connection	Threaded 2" NPT o BSP
Brine line connection (1800)	Threaded 1" NPT
Distributor tube O. D. diameter	90 mm
Operating pressure	1,8 ÷ 8,5 bar
Water Temperature	1 ÷ 40 °C
Protection class	IP22
Height (from top of tank)	381 mm

Box: WxLxH	Box: Q.ty	Box: Weight	Pallet: WxLxH	Pallet: Q.ty	Pallet: Weight

Certificates	Manufacturer	Sectors
DM174-2004 CE, EAC	Pentair	Industrial



Ref	Description	Fam.	Subfam.	Disp. Stock	
FV390NC-608	FLECK VALV. 3900/1800 NXT NBP 8-70-10	023	550		
FV390NC-609	FLECK VALV. 3900/1800 NXT NBP 9-80-10	023	550		
FV390NC-610	FLECK VALV. 3900/1800 NXT NBP 10-100-10	023	550		
FV390XC-600	FLECK VALV. 3900/1800 NOTIMER NBP 5-25-5	023	550		
FV390XC-601	FLECK VALV. 3900/1800 NOTIMER NOPLUG NBP 6-35-5	023	550		
FV390XC-602	FLECK VALV. 3900/1800 NOTIMER NBP 7-50-10	023	550		
FV390XC-603	FLECK VALV. 3900/1800 NOTIMER NOPLUG NBP 7-50-10	023	550		
FV390XC-604	FLECK VALV. 3900/1800 NOTIMER NOPLUG NBP 7-60-10	023	550		
FV390XC-605	FLECK VALV. 3900/1800 NOTIMER NOPLUG NBP 8-70-10	023	550		
FV390XC-606	FLECK VALV. 3900/1800 NOTIMER NBP 10-100-10	023	550		

Box: WxLxH	Box: Q.ty	Box: Weight	Pallet: WxLxH	Pallet: Q.ty	Pallet: Weight

Certificates	Manufacturer	Sectors
DM174-2004 CE, EAC	Pentair	Industrial

Accessories

Ref	Description	Fam.	Subfam.	Disp. Stock	
FVA16258	FLOW DISPERSER 3" 3900	023	590		
FVA18925	TANK ADAPT ASSY 3900 TM FLANGED 6"	023	590		
FVA18926	TANK ADAPT ASSY 3900 SM	023	590		
FVA25580-100	DLFC 2" BSP- 2" BSP ASSY 100 GPM 3150/3900	023	590		
FVA25580-20	DLFC 2" BSP- 2" BSP ASSY 20 GPM 3150/3900	023	590		
FVA25580-25	DLFC 2" BSP- 2" BSP ASSY 25 GPM 3150/3900	023	590		
FVA25580-30	DLFC 2" BSP- 2" BSP ASSY 30 GPM 3150/3900	023	590		
FVA25580-35	DLFC 2" BSP- 2" BSP ASSY 35 GPM 3150/3900	023	590		
FVA25580-40	DLFC 2" BSP- 2" BSP ASSY 40 GPM 3150/3900	023	590		
FVA25580-45	DLFC 2" BSP- 2" BSP ASSY 45 GPM 3150/3900	023	590		
FVA25580-50	DLFC 2" BSP- 2" BSP ASSY 50 GPM 3150/3900	023	590		
FVA25580-55	DLFC 2" BSP- 2" BSP ASSY 55 GPM 3150/3900	023	590		
FVA25580-60	DLFC 2" BSP- 2" BSP ASSY 60 GPM 3150/3900	023	590		
FVA25580-65	DLFC 2" BSP- 2" BSP ASSY 65 GPM 3150/3900	023	590		
FVA25580-70	DLFC 2" BSP- 2" BSP ASSY 70 GPM 3150/3900	023	590		
FVA25580-75	DLFC 2" BSP- 2" BSP ASSY 75 GPM 3150/3900	023	590		
FVA25580-80	DLFC 2" BSP- 2" BSP ASSY 80 GPM 3150/3900	023	590		
FVA25580-85	DLFC 2" BSP- 2" BSP ASSY 85 GPM 3150/3900	023	590		
FVA25580-90	DLFC 2" BSP- 2" BSP ASSY 90 GPM 3150/3900	023	590		
FVA25580-95	DLFC 2" BSP- 2" BSP ASSY 95 GPM 3150/3900	023	590		
FVA25580-ALL	DLFC KIT 2" 3150/3900 30 TO 100 GPM 3150/3900	023	590		
FVA29082	KIT METER ASSY 3" SS NXT 3900	023	590		
FVABU41692	CABLE KIT NXT	023	590		



CLACK VALVE WS1TC

CONTROL VALVE



- Top mount control valve suited for automatic residential water softening or filtration system
- Single valve, available also for twin alternating, twin parallel and multitank systems
- Transformer, Drain Line Flow Control (DLFC) washer, Top Distributor and accessories not included, to order separately
- More informative 4 digit LCD Display with Status Indicators
- Solid state microprocessor with easy access front panel settings
- Backwash and brining ability to 21" diameter tanks
- Front panel display for time of day, days until next regeneration
- Days between regeneration feature: 1-99 days standard; 7-day optional
- Double backwash feature offers optimum regeneration, cleaning ability and efficiency
- 10 selectable pre-programmed regeneration cycles
- Coin Cell Lithium battery back-up with a 8 hour carry over
- Auto detection of 50/60 Hz line frequency, with automatic 12/24 hour time keeping formats
- Level VI 15-volt output DC power supply provides safe and easy installation
- Post treated water regenerant refill
- Reliable and proven DC drive
- Certified to NSF/ANSI 44, 61 and 372

Ref	Description	Fam.	Subfam.	Disp. Stock	
V1TCDDT-03	WS1TC VALVE DN T I-D	015	720		
V1TCDDT-M03	WS1TC VALVE DN T I-D W/MIXING VALVE	015	720		
V1TCDE-03	WS1TC VALVE DN T I-E	015	720		
V1TCDE-M03	WS1TC VALVE DN T I-E W/MIXING VALVE	015	720		
V1TCDF-03	WS1TC VALVE DN T I-F	015	720		
V1TCDF-M03	WS1TC VALVE DN T I-F	015	720		
V1TCBTZ-03	WS1TC VALVE BW T I-Z	015	720		

Ref	Softening System/Filter	Ø Injector Tank size	Downflow/Up flow	Meter	Mixing Valve
V1TCDDT-03	Softening System	9"	Downflow	Not included	Not included
V1TCDDT-M03	Softening System	9"	Downflow	Not included	included
V1TCDE-03	Softening System	10"	Downflow	Not included	Not included
V1TCDE-M03	Softening System	10"	Downflow	Not included	included
V1TCDF-03	Softening System	12"	Downflow	Not included	Not included
V1TCDF-M03	Softening System	12"	Downflow	Not included	included
V1TCBTZ-03	Filter	N/A	Backwash	Not included	Not included

- **NOTE:**Controls listed are priced without a power cord or transformer. For AC Adapter (Transformer) selection see "ACCESSORIES" section (V3186-XX). Drain Line Flow Controls (DLFC) washer is not included. Please order separately: reference order number V3162-007 through V3162-100. 1,05" Top Distributor is not included. Please order separately: reference order number AV071. Power Rechargeble Battery Pack Option: Control Valves listed can be used with a rechargeble battery pack and custom PC board. This battery pack can be recharged with the normal transformer for applications with a unstable power grid. Price Adder 117,84 euro. Sun Battery Pack Option: Control Valves listed can be used with a rechargeble battery pack and custom PC board. This battery pack can be recharged with a solar panel for applications with no electrical power. Price Adder 182,11 euro.

Box: WxLxH	Box: Q.ty	Box: Weight	Pallet: WxLxH	Pallet: Q.ty	Pallet: Weight
	4			160	

Certificates	Manufacturer	Sectors
ACS CE	Clack	Domestic



SPECIFIC		FLOW RATES	
Inlet/Outlet Fittings (to order separately)	¾" to 1,25 male BST	Service Δp 1 bar/15 psi drop (includes bypass)	6,12 m ³ /h
Cycles	Up to 6	Backwash Δp 1,7 bar/25 psi drop (includes bypass)	6,12 m ³ /h
Valve Material	Noryl or equivalent	Cv Service	7,0
Regeneration	Downflow or Upflow	Cv Backwash	5,4

OPERATING PRESSURES		OPERATING TEMPERATURES	
Minimum/Maximum	1,4 ÷ 8,6 bar	Minimum/Maximum	4° ÷ 43° C

DIMENSIONS	
Distributor Pilot	1,05"
Drain Line	¾" or 1" NPT
Brine Line	¾" or ½" OD Poly Tube
Mounting Base	2 ½" - 8 NPSM
Height From Top Of Tank	187 mm
Weight	2 kg

ELECTRICAL SPECIFICATIONS		TANK APPLICATIONS	
Supply Voltage	200V AC to 240V AC	Water Softener	6" ÷ 21" diameter
Supply Frequency	50/60 Hz	Water Filter	6" ÷ 21" diameter
Output Voltage	15VDC		
Output Current	500 mA		

CYCLES OF OPERATION (Softener Downflow)	
Backwash 1st (upflow)	3 ÷ 12 minutes
Regenerate Draw/Slow Rinse (downflow)	50 ÷ 70 minutes
Backwash 2nd (upflow)	3 ÷ 12 minutes
Fast Rinse (downflow)	3 ÷ 8 minutes
Regenerant Refill (in service with treated water)	As Programmed
Service (downflow)	

Options: Backwash Filter, Bypass, Weather Cover

Compatible with the following typical concentration of regenerants or chemicals: Sodium chloride, potassium chloride, potassium permanganate, sodium bisulfite, chlorine and chloramines



CLACK VALVE WS1EI

CONTROLL VALVE



- Top mount control valve suited for automatic residential water softening or filtration system
- Single valve, available also for twin alternating, twin parallel and multitank systems
- Transformer, Drain Line Flow Control (DLFC) washer, Top Distributor and accessories not included, to order separately
- Solid state microprocessor with easy access front panel setting
- Front panel display for time of day, days until next regeneration, volume remaining, current flow rate and total volume used (Totalizer)
- Four methods to initiate regeneration; meter immediate, meter delayed, time clock delayed or pressure differential
- Optional double backwash feature offers optimum regeneration, cleaning ability and efficiency
- Fully adjustable cycle times with 6-cycle control delivers controlled backwash, downflow brining/slow rinse, second backwash, fast rinse, refill and downflow service
- Coin Cell Lithium battery back-up with an 8 hour carry over
- Level VI 15-volt output DC power supply provides safe and easy installation
- Control valve design provides optimum service and backwash rates
- Post treated water regenerant refill
- Reliable and proven DC drive
- Certified to NSF/ANSI 44, 61 and 372.

Ref	Description	Fam.	Subfam.	Disp. Stock	
V1EIDMC-03	WS1EI VALVE DN M I-C	015	710		
V1EIDMC-M03	WS1EI VALVE DN M I-C W/MIXING VALVE	015	710		
V1EIDMD-03	WS1EI VALVE DN M I-D	015	710		
V1EIDMD-M03	WS1EI VALVE DN M I-D W/MIXING VALVE	015	710		
V1EIDME-03	WS1EI VALVE DN M I-E	015	710		
V1EIDME-M03	WS1EI VALVE DN M I-E W/MIXING VALVE	015	710		
V1EIDMF-03	WS1EI VALVE DN M I-F	015	710		
V1EIDMF-M03	WS1EI VALVE DN M I-F W/MIXING VALVE	015	710		
V1EIUMA-03	WS1EI VALVE UP M I-A	015	710		
V1EIUMA-M03	WS1EI VALVE UP M I-A W/MIXING VALVE	015	710		
V1EIUMB-03	WS1EI VALVE UP M I-B	015	710		
V1EIUMB-M03	WS1EI VALVE UP M I-B W/MIXING VALVE	015	710		
V1EIUMC-03	WS1EI VALVE UP M I-C	015	710		
V1EIUMC-M03	WS1EI VALVE UP M I-C W/MIXING VALVE	015	710		
V1EIDTE-03	WS1EI VALVE DN T I-E	015	710		
V1EIDTE-M03	WS1EI VALVE DN T I-E W/MIXING VALVE	015	710		
V1EIBMZ-03	WS1EI VALVE BW M I-Z	015	710		
V1EIBTZ-03	WS1EI VALVE BW T I-Z	015	710		



CLACK VALVE WS1EI

Ref	Softening System/Filter	Ø Injector Tank size	Downflow/Up flow	Meter	Mixing Valve
V1EIDMC-03	Softening System	8"	Downflow	included	Not included
V1EIDMC-M03	Softening System	8"	Downflow	included	included
V1EIDMD-03	Softening System	9"	Downflow	included	Not included
V1EIDMD-M03	Softening System	9"	Downflow	included	included
V1EIDME-03	Softening System	10"	Downflow	included	Not included
V1EIDME-M03	Softening System	10"	Downflow	included	included
V1EIDMF-03	Softening System	12"	Downflow	included	Not included
V1EIDMF-M03	Softening System	12"	Downflow	included	included
V1EIUMA-03	Softening System	8"	Upflow	included	Not included
V1EIUMA-M03	Softening System	8"	Upflow	included	included
V1EIUMB-03	Softening System	9"	Upflow	included	Not included
V1EIUMB-M03	Softening System	9"	Upflow	included	included
V1EIUMC-03	Softening System	10"	Upflow	included	Not included
V1EIUMC-M03	Softening System	10"	Upflow	included	included
V1EIDTE-03	Softening System	10"	Downflow	Not included	Not included
V1EIDTE-M03	Softening System	10"	Downflow	Not included	included
V1EIBMZ-03	Filter	N/A	Backwash	included	Not included
V1EIBTZ-03	Filter	N/A	Backwash	Not included	Not included

- **NOTA:**Controls listed are priced without a power cord or transformer. For AC Adapter (Transformer) selection see "ACCESSORIES" section (V3186-XX). Drain Line Flow Controls (DLFC) washer is not included. Please order separately: reference order number V3162-007 through V3162-100. 1,05" Top Distributor is not included. Please order separately: reference order number AV071. Power Rechargeble Battery Pack Option: Control Valves listed can be used with a rechargeble battery pack and custom PC board.This battery pack can be recharged with the normal transformer for applications with a unstable power grid. Price Adder 117,84 euro. Sun Battery Pack Option: Control Valves listed can be used with a rechargeble battery pack and custom PC board. This battery pack can be recharged with a solar panel for applications with no electrical power. Price Adder 182,11 euro.

Box: WxLxH	Box: Q.ty	Box: Weight	Pallet: WxLxH	Pallet: Q.ty	Pallet: Weight
	4			160	

Certificates	Manufacturer	Sectors
ACS CE	Clack	Domestic



CLACK VALVE WS1EI

SPECIFIC		FLOW RATES	
Inlet/Outlet Fittings (to order separately)	¾" to 1,25 male BST	Service Δp 1 bar/15 psi drop (includes bypass and meter)	6,12 m³/h
Cycles	Up to 6	Backwash Δp 1,7 bar/25 psidrop (includes bypass)	6,12 m³/h
Valve Material	Noryl or equivalent	CV Service	7,0
Regeneration	Downflow or Upflow	CV Service	5,4

OPERATING PRESSURES		OPERATING TEMPERATURES	
Minimum/Maximum	1,4 ÷ 8,6 bar	Minimum/Maximum	4° ÷ 43° C

METER		DIMENSIONS	
Accuracy	± 5%	Distributor Pilot	1,05" OD Pipe
Flow Rate Range	0,95 ÷ 102 lpm	Drain Line	¾" or 1" NPT
Volume Range	0,02 ÷ 5.700 m³	Brine Line	3/8" or ½" OD Poly Tube
Totalizer	0,001 - 9.99.999 m³	Mounting Base	2 ½" - 8 NPSM
		Height From Top Of Tank	187 mm
		Weight	2 kg

ELECTRICAL SPECIFICATIONS		TANK APPLICATIONS	
Supply Voltage	200V AC to 240V AC	Water Softener	6" ÷ 21" diameter
Supply Frequency	50/60 Hz	Water Filter	6" ÷ 21" diameter
Output Voltage	15VDC		
Output Current	500 mA		

CYCLES OF OPERATION	
Backwash 1st (upflow)	1 ÷ 95 minutes - Backwash 1-9
Regenerate Draw/Slow Rinse (downflow)	1 ÷ 180 minutes
Backwash 2nd (upflow)	1 ÷ 95 minutes - Rinse 1-9
Fast Rinse (downflow)	1 ÷ 95 minutes
Regenerant Refill (in service with treated water)	0,1 ÷ 99 minutes
Service (downflow)	

Options: Backwash Filter, Weather Cover

Compatible with the following typical concentrations of regenerants or chemicals: Sodium chloride, potassium chloride, potassium permanganate, sodium bisulfite, chlorine and chloramines.



CLACK VALVE TT1E1

TWIN ALTERNATING CONTROL VALVE



- Transformer, Drain Line Flow Control (DLFC) washer, Top Distributor and accessories not included, to order separately;
- Solid state microprocessor with easy access front panel setting
- Front panel display for time of day, days until next regeneration, volume remaining, current flow rate and total volume used (Totalizer) and Tank in Service Indication;
- Four methods to initiate regeneration; meter immediate, meter delayed, time clock delayed or pressure differential
- Optional double backwash feature offers optimum regeneration, cleaning ability and efficiency
- Fully adjustable cycle times with 6-cycle control delivers controlled backwash, downflow brining/slow rinse, second backwash, fast rinse, refill and downflow service
- Coin Cell Lithium battery back-up with an 8 hour carry over
- Level VI 15-volt output DC power supply provides safe and easy installation
- Control valve design provides optimum service and backwash rates
- Post treated water regenerant refill
- Reliable and proven DC drive
- Certified to NSF/ANSI 44, 61 and 372.

If you need a different Injector Tank Size, please order separately the relevant Injector and the ref. V4052-01 (Interconnect Kit)

Ref	Description	Fam.	Subfam.	Disp. Stock	
VTT1E1DME-03	TT1E1 VALVE DN M I-E	015	710		

Ref	Softening System/Filter	Ø Injector Tank size	Downflow/Up flow	Meter	Mixing Valve
VTT1E1DME-03	Softening System	10"	Downflow	included	Not included

NOTE: Controls listed are priced without a power cord or transformer. For AC Adapter (Transformer) selection see "ACCESSORIES" section (V3186-XX). Drain Line Flow Controls (DLFC) washer is not included. Please order separately: reference order number V3162-007 through V3162-100. 1,05" Top Distributors are not included. Please order separately: reference order number AV071. Power Rechargeable Battery Pack Option: Control Valves listed can be used with a rechargeable battery pack and custom PC board. This battery pack can be recharged with the normal transformer for applications with a unstable power grid. Price Adder 117,84 euro. Sun Battery Pack Option: Control Valves listed can be used with a rechargeable battery pack and custom PC board. This battery pack can be recharged with a solar panel for applications with no electrical power. Price Adder 182,11 euro.

Box: WxLxH	Box: Q.ty	Box: Weight	Pallet: WxLxH	Pallet: Q.ty	Pallet: Weight
	1				

Certificates	Manufacturer	Sectors
ACS, CE	Clack	Domestic



CLACK VALVE WS1CI

CONTROL VALVE



- Top mount control valve suited for automatic residential water softening or filtration system
- Single valve, available also for twin alternating, twin parallel and multitank systems
- Transformer, Drain Line Flow Control (DLFC) washer, Top Distributor and accessories not included, to order separately
- Solid state microprocessor with easy access front panel settings
- Four methods to initiate regeneration; meter immediate, meter delayed, time clock delayed or pressure differential
- Program in ppm, French degrees, German degrees, or cubic meters
- Fully programmable regeneration cycle sequence (maximum 9)
- Programmable regeneration cycle times
- Days override feature; 1 - 28 days available
- Stores system configuration and operation data in nonvolatile memor
- Coin Cell Lithium battery back-up with a 24 hour carry over
- Level VI 15-volt output DC power supply provides safe and easy installation
- Control valve design provides optimum service and backwash rates
- Pre or Post treated water regenerant refill
- Mixing valve option available
- Low salt alarm
- 24-hour clock
- Reliable and proven DC drive
- Certified to NSF/ANSI 44, 61 and 372

Ref	Description	Fam.	Subfam.	Disp. Stock	
V1CIDMC-03	WS1CI VALVE DN M I-C	015	700		
V1CIDMC-M03	WS1CI VALVE DN M I-C W/MIXING VALVE	015	700		
V1CIDMD-03	WS1CI VALVE DN M I-D	015	700		
V1CIDMD-M03	WS1CI VALVE DN M I-D W/MIXING VALVE	015	700		
V1CIDME-03	WS1CI VALVE DN M I- E	015	700		
V1CIDME-M03	WS1CI VALVE DN M I- E W/MIXING VALVE	015	700		
V1CIDMF-03	WS1CI VALVE DN M I-F	015	700		
V1CIDMF-M03	WS1CI VALVE DN M I-F W/MIXING VALVE	015	700		
V1CIUMA-03	WS1CI VALVE UP M I-A	015	700		
V1CIUMA-M03	WS1CI VALVE UP M I-A W/MIXING VALVE	015	700		
V1CIUMB-03	WS1CI VALVE UP M I-B	015	700		
V1CIUMB-M03	WS1CI VALVE UP M I-B W/MIXING VALVE	015	700		
V1CIUMC-03	WS1CI VALVE UP M I-C	015	700		
V1CIUMC-M03	WS1CI VALVE UP M I-C W/MIXING VALVE	015	700		
V1CIDTE-03	WS1CI VALVE DN T I-E	015	700		
V1CIDTE - M03	WS1CI VALVE DN T I-E W/MIXING VALVE	015	700		
V1CIBMZ-03	WS1CI VALVE BW M I-Z	015	700		
V1CIBTZ-03	WS1CI VALVE BW T I-Z	015	700		



CLACK VALVE WS1CI

Ref	Softening System/Filter	Ø Injector Tank size	Downflow/Up flow	Meter	Mixing Valve
V1CIDMC-03	Softening System	8"	Downflow	included	Not included
V1CIDMC-M03	Softening System	8"	Downflow	included	included
V1CIDMD-03	Softening System	9"	Downflow	included	Not included
V1CIDMD-M03	Softening System	9"	Downflow	included	included
V1CIDME-03	Softening System	10"	Downflow	included	Not included
V1CIDME-M03	Softening System	10"	Downflow	included	included
V1CIDMF-03	Softening System	12"	Downflow	included	Not included
V1CIDMF-M03	Softening System	12"	Downflow	included	included
V1CIUMA-03	Softening System	8"	Uplflow	included	Not included
V1CIUMA-M03	Softening System	8"	Uplflow	included	included
V1CIUMB-03	Softening System	9"	Uplflow	included	Not included
V1CIUMB-M03	Softening System	9"	Uplflow	included	included
V1CIUMC-03	Softening System	10"	Uplflow	included	Not included
V1CIUMC-M03	Softening System	10"	Uplflow	included	included
V1CIDTE-03	Softening System	10"	Downflow	Not included	Not included
V1CIDTE - M03	Softening System	10"	Downflow	Not included	included
V1CIBMZ-03	Filter	N/A	Backwash	included	Not included
V1CIBTZ-03	Filter	N/A	Backwash	Not included	Not included

NOTA:Controls listed are priced without a power cord or transformer. For AC Adapter (Transformer) selection see "ACCESSORIES" section (V3186-XX). Drain Line Flow Controls (DLFC) washer is not included. Please order separately: reference order number V3162-007 through V3162-100. 1,05" Top Distributor is not included. Please order separately: reference order number AV071. Power Rechargeable Battery Pack Option: Control Valves listed can be used with a rechargeable battery pack and custom PC board. This battery pack can be recharged with the normal transformer for applications with a unstable power grid. Price Adder 117,84 euro. Sun Battery Pack Option: Control Valves listed can be used with a rechargeable battery pack and custom PC board. This battery pack can be recharged with a solar panel for applications with no electrical power. Price Adder 182,11 euro.

Box: WxLxH	Box: Q.ty	Box: Weight	Pallet: WxLxH	Pallet: Q.ty	Pallet: Weight
	4			160	

Certificates	Manufacturer	Sectors
ACS CE	Clack	Domestic



CLACK VALVE WS1CI

SPECIFIC		FLOW RATES	
Inlet/Outlet Fittings (to order separately)	¾" to 1,25 male BST	Service Δp 15 psi/1 bar drop (includes bypass and meter)	6,12m³/h
Cycles	Up to 9	Backwash Δp 25 psi/1.7 bar drop (includes bypass)	6,12 m³/h
Valve Material	Noryl or equivalent	CV Service	7,0
Regeneration	Dow flow or Up flow	CV Service	5,4

OPERATING PRESSURES		OPERATING TEMPERATURES	
Minimum/Maximum	1,4 ÷ 8,6 bar	Minimum/Maximum	4° ÷ 43° C

METER		DIMENSIONS	
Accuracy	± 5%	Distributor Pilot	1,05"
Flow Rate Range	0,95 ÷ 102 lpm	Drain Line	¾" or 1" NPT
Volume Range	0,02 ÷ 5.700 m3	Brine Line	3/8" or ½" OD Poly Tube
Totalizer	1 - 99.999 m3	Mounting Base	2 ½" - 8 NPSM
		Height From Top Of Tank	187 mm
		Weight	2 kg

ELECTRICAL SPECIFICATIONS		TANK APPLICATIONS	
Supply Voltage	da 200V AC a 240V AC	Water Softener	6" ÷ 21" diameter
Supply Frequency	50/60 Hz	Water Filter	6" ÷ 21" diameter
Output Voltage	15VDC		
Output Current	500 mA		

CYCLES OF OPERATION	
Choose up to nine regeneration cycles, in any order, with a wide range of available values:	
Backwash	1 ÷ 120 minutes
Rinse	1 ÷ 120 minutes
Pause (service)	1 ÷ 480 minutes
Brine (co-current)	1 ÷ 180 minutes
Brine (counter-current)	1 ÷ 180 minutes
Refill (softener)	0,05 ÷ 90,00 kg
Refill (filter)	0,2 ÷ 76,0 liters

Options: Backwash Filter, Bypass, Weather Cover

Compatible with the following typical concentrations of regenerants or chemicals: Sodium chloride, potassium chloride, potassium permanganate, sodium bisulfite, chlorine and chloramines



CLACK VALVE TT1CI

CONTROL VALVE



- Transformer, Drain Line Flow Control (DLFC) washer, Top Distributor and accessories not included, to order separately;
- Solid state microprocessor with easy access front panel settings
- Four methods to initiate regeneration; meter immediate, meter delayed, time clock delayed or pressure differential
- Program in ppm, French degrees, German degrees, or cubic meters
- Fully programmable regeneration cycle sequence (maximum 9)
- Programmable regeneration cycle times
- Days override feature; 1 - 28 days available
- Stores system configuration and operation data in nonvolatile memory
- Coin Cell Lithium battery back-up with a 24 hour carry over
- Level VI 15-volt output DC power supply provides safe and easy installation
- Control valve design provides optimum service and backwash rates
- Pre or Post treated water regenerant refill
- Mixing valve option available
- Low salt alarm
- 24-hour clock
- Reliable and proven DC drive
- Certified to NSF/ANSI 44, 61 and 372

If you need a different Injector Tank Size, please order separately the relevant Injector and the ref. V4052-01 (Interconnect Kit)

Ref	Description	Fam.	Subfam.	Disp. Stock	
VTT1CIDME-03	TT1CI VALVE DN M I-E	015	700		

Ref	Softening System/Filter	Ø Injector Tank size	Downflow/Up flow	Meter	Mixing Valve
VTT1CIDME-03	Softening System	10"	Downflow	included	Not included

NOTE: Controls listed are priced without a power cord or transformer. For AC Adapter (Transformer) selection see "ACCESSORIES" section (V3186-XX). Drain Line Flow Controls (DLFC) washer is not included. Please order separately: reference order number V3162-007 through V3162-100. 1,05" Top Distributors are not included. Please order separately: reference order number AV071. Power Rechargeable Battery Pack Option: Control Valves listed can be used with a rechargeable battery pack and custom PC board. This battery pack can be recharged with the normal transformer for applications with an unstable power grid. Price Adder 117,84 euro. Sun Battery Pack Option: Control Valves listed can be used with a rechargeable battery pack and custom PC board. This battery pack can be recharged with a solar panel for applications with no electrical power. Price Adder 182,11 euro.

Box: WxLxH	Box: Q.ty	Box: Weight	Pallet: WxLxH	Pallet: Q.ty	Pallet: Weight
	1				

Certificates	Manufacturer	Sectors
ACS, CE	Clack	Domestic



CLACK VALVE WS125TC

CONTROL VALVE



- Top mount control valve suited for automatic residential water softening or filtration system
- Single valve, available also for twin alternating, twin parallel and multitank systems
- Transformer, Drain Line Flow Control (DLFC) washer, Top Distributor and accessories not included, to order separately
- More informative 4 digit LCD Display with Status Indicators
- Solid state microprocessor with easy access front panel setting
- Front panel display for time of day, days until next regeneration
- Days between regeneration feature: 1-99 days standard; 7-day optional
- Double backwash feature offers optimum regeneration, cleaning ability and efficiency
- 10 selectable pre-programmed regeneration cycles
- Coin Cell Lithium battery back-up with a 8 hour carry over
- Auto detection of 50/60 Hz line frequency, with automatic 12/24 hour time keeping formats
- Level VI 15-volt output DC power supply provides safe and easy installation
- Post treated water regenerant refill
- Reliable and proven DC drive
- Certified to NSF/ANSI 44, 61 and 372

Ref	Description	Fam.	Subfam.	Disp. Stock	
V125CDTE-08	WS125TCVALVE DN T I-E	015	750		
V125CDTE-M08	WS125TCVALVE DN T I-E W/MIXING VALVE	015	750		
V125CDTF-08	WS125TCVALVE DN T I-F	015	750		
V125CDTF-M08	WS125TCVALVE DN T I-F W/MIXING VALVE	015	750		
V125CDTG-08	WS125TCVALVE DN T I-G	015	750		
V125CDTG-M08	WS125TC VALVE DN T I-G W/MIXING VALVE	015	750		
V125CBTZ-08	WS125TC VALVE BW T I-Z	015	750		

Ref	Softening System/Filter	Ø Injector Tank size	Downflow/Upflow	Meter	Mixing Valve
V125CDTE-08	Softening System	10"	Downflow	Not included	Not included
V125CDTE-M08	Softening System	10"	Downflow	Not included	included
V125CDTF-08	Softening System	12"	Downflow	Not included	Not included
V125CDTF-M08	Softening System	12"	Downflow	Not included	included
V125CDTG-08	Softening System	13"	Downflow	Not included	Not included
V125CDTG-M08	Softening System	13"	Downflow	Not included	included
V125CBTZ-08	Filter	N/A	Backwash	Not included	Not included

NOTE: Controls listed are priced without a power cord or transformer. For AC Adapter (Transformer) selection see "ACCESSORIES" section (V3186-XX). Drain Line Flow Controls (DLFC) washer is not included. Please order separately: reference order number V3162-007 through V3162-100.32 mm Top Distributor is not included. Please order separately: reference order number V-D1203-03. Power Rechargeable Battery Pack Option: Control Valves listed can be used with a rechargeable battery pack and custom PC board. This battery pack can be recharged with the normal transformer for applications with a unstable power grid. Price Adder 117,84 euro. Sun Battery Pack Option: Control Valves listed can be used with a rechargeable battery pack and custom PC board. This battery pack can be recharged with a solar panel for applications with no electrical power. Price Adder 182,11 euro.

Box: WxLxH	Box: Q.ty	Box: Weight	Pallet: WxLxH	Pallet: Q.ty	Pallet: Weight
	2			96	

Certificates	Manufacturer	Sectors
ACS CE	Clack	Domestic



CLACK VALVE WS125TC

SPECIFIC		FLOW RATES	
Inlet/Outlet Fittings (to order separately)	1" to 1,5" male BSPT	Service Δp 15 psi drop	34 gpm
Cycles	6	Backwash Δp 25 psi drop	32 gpm
Valve Material	Noryl o equivalent	Cv Service	8,8
Regeneration	Downflow	Cv Backwash	6,4

OPERATING PRESSURES		OPERATING TEMPERATURES	
Minimum/Maximum	20 psi - 125 psi	Minimum/Maximum	4° + 43° C

DIMENSIONS	
Distributor Pilot	32 mm OD Pipe
Drain Line	¾" or 1" NPT
Brine Line	3/8" or ½" OD Poly Tube
Mounting Base	2½" 8 NPSM
Height From Top Of Tank	187 mm
Weight	2 kg

ELECTRICAL SPECIFICATIONS		TANK APPLICATIONS	
Supply Voltage	da 200V AC a 240V AC	Water Softener	6" + 21" diameter
Supply Frequency	50/60 Hz	Water Filter	6" + 24" diameter
Output Voltage	15VDC		
Output Current	500 mA		

CYCLES OF OPERATION (Softener Downflow)	
Backwash 1st(upflow)	3 + 12 minutes
Regenerate Draw/Slow Rinse (downflow)	50 + 70 minutes
Backwash 2nd (upflow)	3 + 12 minutes
Fast Rinse (downflow)	3 + 8 minutes
Regenerant Refill (in service with treated water)	As Programmed
Service (downflow)	

Options: Backwash Filter, Bypass, Weather Cover

Compatible with the following typical concentration of regenerants or chemicals: Sodium chloride, potassium chloride, potassium permanganate, sodium bisulfite, chlorine and chloramines



CLACK VALVE WS125EI

CONTROL VALVE



- Top mount control valve suited for automatic residential water softening or filtration system
- Single valve, available also for twin alternating, twin parallel and multitank systems
- Transformer, Drain Line Flow Control (DLFC) washer, Top Distributor and accessories not included, to order separately Solid state microprocessor with easy access front panel settings;
- Front panel display for time of day, days until next regeneration, volume remaining, current flow rate and total volume used (Totalizer)
- Four methods to initiate regeneration; meter immediate, meter delayed, time clock delayed or pressure differential Optional double backwash feature offers optimum regeneration, cleaning ability and efficiency
- Fully adjustable cycle times with 6-cycle control delivers controlled backwash, downflow brining/slow rinse, second backwash, fast rinse, refill and downflow service
- Coin Cell Lithium battery back-up with an 8 hour carry over
- Level VI 15-volt output DC power supply provides safe and easy installation
- Control valve design provides optimum service and backwash rates
- Post treated water regenerant refill;
- Certified to NSF/ANSI 44, 61 and 372

Ref	Description	Fam.	Subfam.	Disp. Stock	
V125EIDME-08	WS125EI VALVE DN M I-E	015	740		
V125EIDME-M08	WS125EI VALVE DN M I-E W/MIXING VALVE	015	740		
V125EIDMF-08	WS125EI VALVE DN M I-F	015	740		
V125EIDMF-M08	WS125EI VALVE DN M I-F W/MIXING VALVE	015	740		
V125EIDMH-08	WS125EI VALVE DN M I-H	015	740		
V125EIDMH-M08	WS125EI VALVE DN M I-H W/MIXING VALVE	015	740		
V125EIDMI-08	WS125EI VALVE DN M I-I	015	740		
V125EIDMI-M08	WS125EI VALVE DN M I-I W/MIXING VALVE	015	740		
V125EIDMK-08	WS125EI VALVE DN M I-K	015	740		
V125EIDMK-M08	WS125EI VALVE DN M I-K W/MIXING VALVE	015	740		
V125EIUMD-08	WS125EI VALVE UP M I-D	015	740		
V125EIUMD-M08	WS125EI VALVE UP M I-D W/MIXING VALVE	015	740		
V125EIUMF-08	WS125EI VALVE UP M I-F	015	740		
V125EIUMF-M08	WS125EI VALVE UP M I-F W/MIXING VALVE	015	740		
V125EIDTF-08	WS125EI VALVE DN T I-F	015	740		
V125EIDTF-M08	WS125EI VALVE DN T I-F W/MIXING VALVE	015	740		
V125EIBMZ-08	WS125EI VALVE BW M I-Z	015	740		
V125EIBTZ-08	WS125EI VALVE BW T I-Z	015	740		



CLACK VALVE WS125EI

Ref	Softening System/Filter	Ø Injector Tank size	Downflow/Upflow	Meter	Mixing Valve
V125EIDME-08	Softening System	10"	Downflow	included	Not included
V125EIDME-M08	Softening System	10"	Downflow	included	included
V125EIDMF-08	Softening System	12"	Downflow	included	Not included
V125EIDMF-M08	Softening System	12"	Downflow	included	included
V125EIDMH-08	Softening System	14"	Downflow	included	Not included
V125EIDMH-M08	Softening System	14"	Downflow	included	included
V125EIDMI-08	Softening System	16"	Downflow	included	Not included
V125EIDMI-M08	Softening System	16"	Downflow	included	included
V125EIDMK-08	Softening System	21"	Downflow	included	Not included
V125EIDMK-M08	Softening System	21"	Downflow	included	included
V125EIUMD-08	Softening System	12"	Upflow	included	Not included
V125EIUMD-M08	Softening System	12"	Upflow	included	included
V125EIUMF-08	Softening System	14"	Upflow	included	Not included
V125EIUMF-M08	Softening System	14"	Upflow	included	included
V125EIDTF-08	Softening System	12"	Downflow	Not included	Not included
V125EIDTF-M08	Softening System	12"	Downflow	Not included	included
V125EIBMZ-08	Filter	N/A	Backwash	included	Not included
V125EIBTZ-08	Filter	N/A	Backwash	Not included	Not included

NOTA: Controls listed are priced without a power cord or transformer. For AC Adapter (Transformer) selection see "ACCESSORIES" section (V3186-XX). Drain Line Flow Controls (DLFC) washer is not included. Please order separately: reference order number V3162-007 through V3162-100. 32 mm Top Distributor is not included. Please order separately: reference order number V-D1203-03. Power Rechargeable Battery Pack Option: Control Valves listed can be used with a rechargeable battery pack and custom PC board. This battery pack can be recharged with the normal transformer for applications with a unstable power grid. Price Adder 117,84 euro. Sun Battery Pack Option: Control Valves listed can be used with a rechargeable battery pack and custom PC board. This battery pack can be recharged with a solar panel for applications with no electrical power. Price Adder 182,11 euro.

Box: WxLxH	Box: Q.ty	Box: Weight	Pallet: WxLxH	Pallet: Q.ty	Pallet: Weight
	2			96	

Certificates	Manufacturer	Sectors
ACS CE	Clack	Domestic



CLACK VALVE WS125EI

SPECIFIC		FLOW RATES	
Inlet/Outlet Fittings (to order separately)	1" to 1,5" masle BSPT	Service Δp 15 psi/1 bar drop (includes meter)	7,7 m ³ /h
Cycles	up to 6	Backwash con Δp 25 psi/1.7 bar drop	7,3 m ³ /h
Valve Material	Noryl or equivalent	Cv Service	8,8
Regeneration	Downflow or Upflow	Cv Backwash	6,4

OPERATING PRESSURES		OPERATING TEMPERATURES	
Minimum/Maximum	1,4 ÷ 8,6 bar	Minimum/Maximum	4° ÷ 43° C

METER		DIMENSIONS	
Accuracy	± 5%	Distributor Pilot	32 mm OD Pipe
Flow Rate Range	0,95 ÷ 129 lpm	Drain Line	¾" or 1" NPT
Volume Range	0,02 ÷ 5.700 m ³	Brine Line	3/8" or ½" OD Poly Tube
Totalizer	0,001 - 9.999.000 m ³	Mounting Base	2½" 8 NPSM
		Height From Top Of Tank	187 mm
		Weight	2 kg

ELECTRICAL SPECIFICATIONS		TANK APPLICATIONS	
Supply Voltage	200V AC to 240V AC	Water Softener	6" ÷ 21" diameter
Supply Frequency	50/60 Hz	Water Filter	6" ÷ 24" diameter
Output Voltage	15VDC		
Output Current	500 mA		

CYCLES OF OPERATION	
Backwash 1st (upflow)	1 ÷ 95 minutes
Regenerate Draw/Slow Rinse (downflow)	1 ÷ 180 minutes
Backwash 2nd (upflow)	1 ÷ 95 minutes
Fast Rinse (downflow)	1 ÷ 95 minutes
Regenerant Refill (in service with treated water)	0,1 ÷ 99 minutes
Service (downflow)	

Options: Backwash Filter, Weather Cover

Compatible with the following typical concentrations of regenerants or chemicals: Sodium chloride, potassium chloride, potassium permanganate, sodium bisulfite, chlorine and chloramines



CLACK VALVE WS125CI

CONTROL VALVE



- Top mount control valve suited for automatic residential water softening or filtration system
- Single valve, available also for twin alternating, twin parallel and multitank systems
- Transformer, Drain Line Flow Control (DLFC) washer, Top Distributor and accessories not included, to order separately
- Solid state microprocessor with easy access front panel settings:
- Four methods to initiate regeneration; meter immediate, meter delayed, time clock delayed or pressure differential
- Program in ppm, French degrees, German degrees, or cubic meters
- Fully programmable regeneration cycle sequence (maximum 9)
- Programmable regeneration cycle times
- Days override feature; 1 - 28 days available
- Stores system configuration and operation data in nonvolatile memory
- Coin Cell Lithium battery back-up with a 24 hour carry over
- Level VI 15-volt output DC power supply provides safe and easy installation
- Control valve design provides optimum service and backwash rates
- Pre or Post treated water regenerant refill
- Mixing valve option available
- Low salt alarm
- 24-hour clock
- Reliable and proven DC drive
- Certified to NSF/ANSI 44, 61 and 37

Ref	Description	Fam.	Subfam.	Disp. Stock	
V125CIDME-08	WS125CI VALVE DN M I-E	015	730		
V125CIDME-M08	WS125CI VALVE DN M I-E W/MIXING VALVE	015	730		
V125CIDMF-08	WS125CI VALVE DN M I-F	015	730		
V125CIDMF-M08	WS125CI VALVE DN M I-F W/MIXING VALVE	015	730		
V125CIDMH-08	WS125CI VALVE DN M I-H	015	730		
V125CIDMH-M08	WS125CI VALVE DN M I-H W/MIXING VALVE	015	730		
V125CIDMI-08	WS125CI VALVE DN M I-I	015	730		
V125CIDMI-M08	WS125CI VALVE DN M I-I W/MIXING VALVE	015	730		
V125CIDMK-08	WS125CI VALVE DN M I-K	015	730		
V125CIDMK-M08	WS125CI VALVE DN M I-K W/MIXING VALVE	015	730		
V125CIUMD-08	WS125CI VALVE UP M I-D	015	730		
V125CIUMD-M08	WS125CI VALVE UP M I-D W/MIXING VALVE	015	730		
V125CIUMF-08	WS125CI VALVE UP M I-F	015	730		
V125CIUMF-M08	WS125CI VALVE UP M I-F W/MIXING VALVE	015	730		
V125CIDTF-08	WS125CI VALVE DN T I-F	015	730		
V125CIDTF-M08	WS125CI VALVE DN T I-F W/MIXING VALVE	015	730		
V125CIBMZ-08	WS125CI VALVE BW M I-Z	015	730		
V125CIBTZ-08	WS125CI VALVE BW T I-Z	015	730		



CLACK VALVE WS125CI

Ref	Softening System/Filter	Ø Injector Tank size	Downflow/Up flow	Meter	Mixing Valve
V125CIDME-08	Softening System	10"	Downflow	included	Not included
V125CIDME-M08	Softening System	10"	Downflow	included	included
V125CIDMF-08	Softening System	12"	Downflow	included	Not included
V125CIDMF-M08	Softening System	12"	Downflow	included	included
V125CIDMH-08	Softening System	14"	Downflow	included	Not included
V125CIDMH-M08	Softening System	14"	Downflow	included	included
V125CIDMI-08	Softening System	16"	Downflow	included	Not included
V125CIDMI-M08	Softening System	16"	Downflow	included	included
V125CIDMK-08	Softening System	21"	Downflow	included	Not included
V125CIDMK-M08	Softening System	21"	Downflow	included	included
V125CIUMD-08	Softening System	12"	Up flow	included	Not included
V125CIUMD-M08	Softening System	12"	Up flow	included	included
V125CIUMF-08	Softening System	14"	Up flow	included	Not included
V125CIUMF-M08	Softening System	14"	Up flow	included	included
V125CIDTF-08	Softening System	12"	Downflow	Not included	Not included
V125CIDTF-M08	Softening System	12"	Downflow	Not included	included
V125CIBMZ-08	Filter	N/A	Backwash	included	Not included
V125CIBTZ-08	Filter	N/A	Backwash	Not included	Not included

NOTE: Controls listed are priced without a power cord or transformer. For AC Adapter (Transformer) selection see "ACCESSORIES" section (V3186-XX). Drain Line Flow Controls (DLFC) washer is not included. Please order separately: reference order number V3162-007 through V3162-100. 32 mm Top Distributor is not included. Please order separately: reference order number V-D1203-03. Power Rechargeable Battery Pack Option: Control Valves listed can be used with a rechargeable battery pack and custom PC board. This battery pack can be recharged with the normal transformer for applications with a unstable power grid. Price Adder 117,84 euro. Sun Battery Pack Option: Control Valves listed can be used with a rechargeable battery pack and custom PC board. This battery pack can be recharged with a solar panel for applications with no electrical power. Price Adder 182,11 euro.

Box: WxLxH	Box: Q.ty	Box: Weight	Pallet: WxLxH	Pallet: Q.ty	Pallet: Weight
	2			96	

Certificates	Manufacturer	Sectors
ACS CE	Clack	Domestic



CLACK VALVE WS125CI

SPECIFIC		FLOW RATES	
Inlet/Outlet Fittings (to order separately)	Da 1" a 1,5" male BSPT	Service Δp 15 psi/1 bar drop (includes meter)	7,7 m ³ /h
Cycles	Up to 9	Backwash Δp 25 psi/1.7 bar drop	7,3 m ³ /h
Valve Material	Noryl or equivalent	Cv Service	8,8
Regeneration	Downflow or Upflow	Cv Backwash	6,4

OPERATING PRESSURES		OPERATING TEMPERATURES	
Minimum/Maximum	1,4 ÷ 8,6 bar	Minimum/Maximum	4° ÷ 43° C

METER		DIMENSIONS	
Accuracy	± 5%	Distributor Pilot	32 mm OD Pipe
Flow Rate Range.	0,95 ÷ 129 lpm	Drain Line	¾" or 1" NPT
Volume Range	0,02 ÷ 5.700 m ³	Brine Line	3/8" or ½" OD Poly Tube
Totalizer	1 - 99.999 m ³	Mounting Base	2½" 8 NPSM
		Height From Top Of Tank	187 mm
		Weight	2 kg

ELECTRICAL SPECIFICATIONS		TANK APPLICATIONS	
Supply Voltage	200V AC to 240V AC	Water Softener	6" ÷ 21" diameter
Supply Frequency	50/60 Hz	Water Filter	6" ÷ 24" diameter
Output Voltage	15VDC		
Output Current	500 mA		

CYCLES OF OPERATION	
Choose up to nine regeneration cycles, in any order, with a wide range of available values:	
Backwash	1 ÷ 120 minutes
Rinse	1 ÷ 120 minutes
Pause (service)	1 ÷ 480 minutes
Brine (co-current)	1 ÷ 180 minutes
Brine (counter-current)	1 ÷ 180 minutes
Refill (softener)	0,05 ÷ 90,00 kg
Refill (filter)	0,2 ÷ 76,0 liters

Options: Backwash Filter, Bypass, Weather Cover

Compatible with the following typical concentrations of regenerants or chemicals: Sodium chloride, potassium chloride, potassium permanganate, sodium bisulfite, chlorine and chloramines



CLACK VALVE WS15EI

CONTROL VALVE



- Transformer, Drain Line Flow Control (DLFC) washer, Top Distributor and accessories not included, to order separately 1.5" top mount control valve suited for mid-size commercial/industrial applications
- Epoxy coated lead free brass valve body
- Economical optional meter
- Solid state microprocessor with easy access front panel settings
- Front panel display for time of day, days until next regeneration, volume remaining, current flow rate and total volume used (Totalizer)
- Four methods to initiate regeneration; meter immediate, meter delayed, time clock delayed or pressure differential Optional double backwash feature offers optimum regeneration, cleaning ability and efficiency
- Fully adjustable cycle times with 6-cycle control delivers controlled backwash, downflow brining or upflow brining, slow rinse, second backwash, fast rinse, refill and downflow service
- Coin Cell Lithium battery back-up with a 8 hour carry over
- Level VI 15-volt output DC power supply provides safe and easy installation
- Post treated water regenerant refill
- 24 hour clock
- Reliable and proven DC drive
- Certified to NSF/ANSI 44, 61 and 372

Ref	Description	Fam.	Subfam.	Disp. Stock	
V15EIDMB-05	WS15EI VALVE DN M I-B	025	810		
V15EIDMD-05	WS15EI VALVE DN M I-D	025	810		
V15EIDMF-05	WS15EI VALVE DN M I-F	025	810		
V15EIDMG-05	WS15EI VALVE DN M I-G	025	810		
V15EIUMB-05	WS15EI VALVE UP M I-B	025	810		
V15EIUMD-05	WS15EI VALVE UP M I-D	025	810		
V15EIDTD-05	WS15EI VALVE DN T I-D	025	810		
V15EIDTF-05	WS15EI VALVE DN T I-F	025	810		
V15EIDTG-05	WS15EI VALVE DN T I-G	025	810		
V15EIBMZ-05	WS15EI VALVE BW M I-Z	025	810		
V15EIBTZ-05	WS15EI VALVE BW T I-Z	025	810		



CLACK VALVE WS15EI

Ref	Softening System/Filter	Ø Injector Tank size	Downflow/Upflow	Meter	Mixing Valve
V15EIDMB-05	Softening System	12"	Downflow	included	Not included
V15EIDMD-05	Softening System	14"	Downflow	included	Not included
V15EIDMF-05	Softening System	18"	Downflow	included	Not included
V15EIDMG-05	Softening System	21"	Downflow	included	Not included
V15EIUMB-05	Softening System	14"	Upflow	included	Not included
V15EIUMD-05	Softening System	18"	Upflow	included	Not included
V15EIDTD-05	Softening System	14"	Downflow	Not included	Not included
V15EIDTF-05	Softening System	18"	Downflow	Not included	Not included
V15EIDTG-05	Softening System	21"	Downflow	Not included	Not included
V15EIBMZ-05	Filter	N/A	Backwash	included	Not included
V15EIBTZ-05	Filter	N/A	Backwash	Not included	Not included

NOTE: Controls listed are priced without a power cord or transformer. For AC Adapter (Transformer) selection see "ACCESSORIES" section (V3186-XX). Drain Line Flow Controls (DLFC) washer is not included. Please order separately. For 3/4" drain fitting (V3158-04), Flow rates 0.07 - 10.0 gpm: reference order numbers V3162-007 through V3162-100. For 1" drain fitting (V3008-05), Flow rates 9.0 - 25.0 gpm: reference order numbers V3190-090 through V3190-250. For 1.25" x 1.5" drain fittings (V3079BSPT), Flow rates 9 to 85 gpm: reference order numbers V3162-007 through V3162-100, and V3190-090 through V3190-250. 50 mm Top Distributor is not included. Please order separately: reference order numbers V-D1199-04 or V-D1300. Power Rechargeble Battery Pack Option: Control Valves listed can be used with a rechargeble battery pack and custom PC board. This battery pack can be recharged with the normal transformer for applications with a unstable power grid. Price Adder 117,84 euro. Sun Battery Pack Option: Control Valves listed can be used with a rechargeble battery pack and custom PC board. This battery pack can be recharged with a solar panel for applications with no electrical power. Price Adder 182,11 euro.

Box: WxLxH	Box: Q.ty	Box: Weight	Pallet: WxLxH	Pallet: Q.ty	Pallet: Weight
	1				

Certificates	Manufacturer	Sectors
ACS CE	Clack	Commercial, Industrial



CLACK VALVE WS15EI

SPECIFIC		CONTROL VALVE FLOW RATES	
Inlet/Outlet	1,5" female BSPT	Service Δp 1 bar/15 psi drop (includes meter)	15,9m ³ /h
Cycles	up to 6	Backwash Δp 1.7/25 psi bar drop	11,8m ³ /h
Valve Material	Lead free brass		
Regeneration	Downflow or Upflow		

OPERATING PRESSURES		OPERATING TEMPERATURES	
Minimum/Maximum	1,4 ÷ 8,6 bar	Minimum/Maximum	4° ÷ 43° C

METER SPECIFICATIONS		DIMENSIONS	
Accuracy	± 5%	Distributor Pilot	50 mm
Flow Rate Range	2 ÷ 248 lpm	Drain Line Connection Adapter Included	1.25" Female NPT 3/4" Male NPT Elbow
Volume Range	0,02 ÷ 5.700 m ³	Brine Line Connection Adapter Included	3/4" Female NPT 1/2" OD Poly Tube Compression
Totalizer	0,001 - 4.294..000 m ³	Mounting Base	4" - 8 UN
		Height From Top Of Tank	191 mm
		Shipping Weight With Meter	9,5 kg

ELECTRICAL SPECIFICATIONS		TANK APPLICATIONS	
Supply Voltage	200V AC to 240V AC	Water Softener	12" ÷ 30" diameter
Supply Frequency	50/60 Hz	Water Filter	12" ÷ 30" diameter
Output Voltage	15VDC		
Output Current	500 mA		

CYCLES OF OPERATION	
Backwash 1st (upflow)	1 ÷ 95 minutes - Backwash 1-9
Regenerate Draw/Slow Rinse (downflow)	1 ÷ 180 minutes - Rinse 1-9
Backwash 2nd (upflow)	1 ÷ 95 minutes
Fast Rinse (downflow)	1 ÷ 95 minutes
Regenerant Refill (in service with treated water)	0,1 ÷ 99 minutes
Service (downflow)	

Options: Backwash Filter, Weather Cover

Compatible with the following typical concentrations of regenerants or chemicals: Sodium chloride, potassium chloride, potassium permanganate, sodium bisulfite, chlorine and chloramines.



CLACK VALVE WS15CI

CONTROL VALVE



- Transformer, Drain Line Flow Control (DLFC) washer, Top Distributor and accessories not included, to order separately
- 1.5" top mount control valve suited for mid-size commercial/industrial applications
- Epoxy coated lead free brass valve body
- Economical stainless steel optional meter assembly
- Solid state microprocessor with easy access front panel settings
- Front panel display for time of day, days until next regeneration, volume remaining and current flow
- Four methods to initiate the downflow regeneration; meter immediate, meter delayed, time clock delayed or pressure differential
- Program in ppm, French degrees, German degrees, or cubic meters
- Fully programmable regeneration cycle sequence (maximum 9)
- Programmable regeneration cycle times
- Days override feature; 1-28 days available
- Level VI 15-volt output DC power supply provides safe and easy installation
- Pre or Post treated water regenerant refill
- Low salt alarm
- 24 hour clock
- Coin Cell Lithium battery back-up with a 24 hour carry over
- Reliable and proven DC drive
- Certified to NSF/ANSI 44, 61 and 372

Ref	Description	Fam.	Subfam.	Disp. Stock	
V15CIDMB-05	WS15CI VALVE DN M I-B	025	800		
V15CIDMD-05	WS15CI VALVE DN M I-D	025	800		
V15CIDMF-05	WS15CI VALVE DN M I-F	025	800		
V15CIDMG-05	WS15CI VALVE DN M I-G	025	800		
V15CIUMB-05	WS15CI VALVE UP M I-B	025	800		
V15CIUMD-05	WS15CI VALVE UP M I-D	025	800		
V15CIDTD-05	WS15CI VALVE DN T I-D	025	800		
V15CIDTF-05	WS15CI VALVE DN T I-F	025	800		
V15CIDTG-05	WS15CI VALVE DN T I-G	025	800		
V15CIBMZ-05	WS15CI VALVE BW M I-Z	025	800		
V15CIBTZ-05	WS15CI VALVE BW T I-Z	025	800		



CLACK VALVE W15CI

Ref	Softening System/Filter	Ø Injector Tank size	Downflow/Upflow	Meter	Mixing Valve
V15CIDMB-05	Softening System	12"	Downflow	included	Not included
V15CIDMD-05	Softening System	14"	Downflow	included	Not included
V15CIDMF-05	Softening System	18"	Downflow	included	Not included
V15CIDMG-05	Softening System	21"	Downflow	included	Not included
V15CIUMB-05	Softening System	14"	Upflow	included	Not included
V15CIUMD-05	Softening System	18"	Upflow	included	Not included
V15CIDTD-05	Softening System	14"	Downflow	Not included	Not included
V15CIDTF-05	Softening System	18"	Downflow	Not included	Not included
V15CIDTG-05	Softening System	21"	Downflow	Not included	Not included
V15CIBMZ-05	Filter	N/A	Backwash	included	Not included
V15CIBTZ-05	Filter	N/A	Backwash	Not included	Not included

NOTE: Controls listed are priced without a power cord or transformer. For AC Adapter (Transformer) selection see "ACCESSORIES" section (V3186-XX). Drain Line Flow Controls (DLFC) washer is not included. Please order separately. For 3/4" drain fitting (V3158-04), Flow rates 0.07 - 10.0 gpm: reference order numbers V3162-007 through V3162-100. For 1" drain fitting (V3008-05), Flow rates 9.0 - 25.0 gpm: reference order numbers V3190-090 through V3190-250. For 1.25" x 1.5" drain fittings (V3079BSPT), Flow rates 9 to 85 gpm: reference order numbers V3162-007 through V3162-100, and V3190-090 through V3190-250. 50 mm Top Distributor is not included. Please order separately: reference order numbers V-D1199-04 or V-D1300. Power Rechargeble Battery Pack Option: Control Valves listed can be used with a rechargeble battery pack and custom PC board. This battery pack can be recharged with the normal transformer for applications with a unstable power grid. Price Adder 117,84 euro. Sun Battery Pack Option: Control Valves listed can be used with a rechargeble battery pack and custom PC board. This battery pack can be recharged with a solar panel for applications with no electrical power. Price Adder 182,11 euro.

Box: WxLxH	Box: Q.ty	Box: Weight	Pallet: WxLxH	Pallet: Q.ty	Pallet: Weight
	1				

Certificates	Manufacturer	Sectors
ACS CE	Clack	Commercial, Industrial



CLACK VALVE WS15CI

SPECIFIC		CONTROL VALVE FLOW RATES	
Inlet/Outlet	1,5" female BSPT	Service Δp 1 bar/15 psi drop (includes meter)	15,9 m ³ /h
Cycles	Up to 9	Backwash Δp 1.7 bar/25 psi drop	11,8 m ³ /h
Valve Material	Lead free brass		
Regeneration	Downflow or Upflow		

OPERATING PRESSURES		OPERATING TEMPERATURES	
Minimum/Maximum	1,4 ÷ 8,6 bar	Minimum/Maximum	4° ÷ 43° C

METER SPECIFICATIONS		DIMENSIONS	
Accuracy	± 5%	Distributor Pilot	50 mm
Flow Rate Range	2 ÷ 248 lpm	Drain Line Connection Adapter Included.	1.25" Female NPT 3/4" Male NPT Elbow
Volume Range	0,02 ÷ 5.700 m ³	Brine Line Connection Adapter Included	3/4" Female NPT 1/2" OD Poly Tube Compression
Totalizer	1 - 99.000 m ³	Mounting Base	4" - 8 UN
		Height From Top Of Tank	191 mm
		Shipping Weight With Meter	9,5 kg

ELECTRICAL SPECIFICATIONS		TANK APPLICATIONS	
Supply Voltage	200V AC to 240V AC	Water Softener	12" ÷ 30" diameter
Supply Frequency	50/60 Hz	Water Filter	12" ÷ 30" diameter
Output Voltage	15VDC		
Output Current	500 mA		

CYCLES OF OPERATION	
Choose up to nine regeneration cycles, in any order, with a wide range of available values:	
Backwash	1 ÷ 120 minutes
Rinse	1 ÷ 480 minutes
Pause (service).	1 ÷ 180 minutes
Brine (co-current)	0,1 ÷ 180 minutes
Refill (softener)	0,05 ÷ 90,00 kg/.1 - 99 minutes
Refill (filter)	0,2 ÷ 76,0 liters

Options: Backwash Filter, Weather Cover

Compatible with the following typical concentrations of regenerants or chemicals: Sodium chloride, potassium chloride, potassium permanganate, sodium bisulfite, chlorine and chloramines.



CLACK VALVE WS2EI

CONTROL VALVE



- Transformer, Drain Line Flow Control (DLFC) washer, Top Distributor and accessories not included, to order separately
- 2" Top mount control valve suited for commercial/industrial applications
- Epoxy coated lead free brass valve body
- Economical stainless steel optional meter assembly
- Solid state microprocessor with easy access front panel setting
- Front panel display for time of day, days until next regeneration, volume remaining, current flow rate and total volume used (Totalizer)
- Four methods to initiate regeneration; meter immediate, meter delayed, time clock delayed or pressure differential Optional
- double backwash feature offers optimum regeneration, cleaning ability and efficiency
- Fully adjustable cycle times with 6-cycle control delivers controlled backwash, downflow brining or upflow brining, slow rinse, second backwash, fast rinse, refill and downflow servi
- Coin Cell Lithium battery back-up with an 8 hour carry over
- Level VI 15-volt output DC power supply provides safe and easy installation
- Post treatment water regenerant refill
- 24 Hour Clock
- Reliable and proven DC drive
- Certified to NSF/ANSI 44, 61 and 372

Ref	Description	Fam.	Subfam.	Disp. Stock	
V2EIDMA-05	WS2EI VALVE DN M I-A	025	830		
V2EIDMB-05	WS2EI VALVE DN M I-B	025	830		
V2EIDMC-05	WS2EI VALVE DN M I-C	025	830		
V2EIDMD-05	WS2EI VALVE DN M I-D	025	830		
V2EIDME-05	WS2EI VALVE DN M I-E	025	830		
V2EIDMF-05	WS2EI VALVE DN M I-F	025	830		
V2EIDMG-05	WS2EI VALVE DN M I-G	025	830		
V2EIUMA-05	WS2EI VALVE UP M I-A	025	830		
V2EIUMB-05	WS2EI VALVE UP M I-B	025	830		
V2EIDTA-05	WS2EI VALVE DN T I-A	025	830		
V2EIDTB-05	WS2EI VALVE DN T I-B	025	830		
V2EIDTC-05	WS2EI VALVE DN T I-C	025	830		
V2EIDTD-05	WS2EI VALVE DN T I-D	025	830		
V2EIDTE-05	WS2EI VALVE DN T I-E	025	830		
V2EIDTF-05	WS2EI VALVE DN T I-F	025	830		
V2EIDTG-05	WS2EI VALVE DN T I-G	025	830		
V2EIBMZ-05	WS2EI VALVE BW M I-Z	025	830		
V2EIBTZ-05	WS2EI VALVE BW T I-Z	025	830		



CLACK VALVE WS2EI

Ref	Softening System/Filter	Ø Injector Tank size	Downflow/Upflow	Meter	Mixing Valve
V2EIDMA-05	Softening System	18"	Downflow	included	Not included
V2EIDMB-05	Softening System	21"	Downflow	included	Not included
V2EIDMC-05	Softening System	24"	Downflow	included	Not included
V2EIDMD-05	Softening System	30"	Downflow	included	Not included
V2EIDME-05	Softening System	36"	Downflow	included	Not included
V2EIDMF-05	Softening System	42"	Downflow	included	Not included
V2EIDMG-05	Softening System	48"	Downflow	included	Not included
V2EIUMA-05	Softening System	24"	Upflow	included	Not included
V2EIUMB-05	Softening System	30"	Upflow	included	Not included
V2EIDTA-05	Softening System	18"	Downflow	Not included	Not included
V2EIDTB-05	Softening System	21"	Downflow	Not included	Not included
V2EIDTC-05	Softening System	24"	Downflow	Not included	Not included
V2EIDTD-05	Softening System	30"	Downflow	Not included	Not included
V2EIDTE-05	Softening System	36"	Downflow	Not included	Not included
V2EIDTF-05	Softening System	42"	Downflow	Not included	Not included
V2EIDTG-05	Softening System	48"	Downflow	Not included	Not included
V2EIBMZ-05	Filter	N/A	Backwash	included	Not included
V2EIBTZ-05	Filter	N/A	Backwash	Not included	Not included

NOTE: Controls listed are priced without a power cord or transformer. For AC Adapter (Transformer) selection see "ACCESSORIES" section (V3186-XX). Drain Line Flow Controls (DLFC) washer is not included. Please order separately. For 3/4" drain fitting (V3158-04), Flow rates 0.07 - 10.0 gpm: reference order numbers V3162-007 through V3162-100. For 1" drain fitting (V3008-05), Flow rates 9.0 - 25.0 gpm: reference order numbers V3190-090 through V3190-250. For 1.5" x 1.5" drain fittings (V3080BSPT), Flow rates 9 to 85 gpm: reference order numbers V3162-007 through V3162-100, and V3190-090 through V3190-250. 50 mm Top Distributor is not included. Please order separately: reference order numbers V-D1199-04 or V-D1300. Power Rechargeable Battery Pack Option: Control Valves listed can be used with a rechargeable battery pack and custom PC board. This battery pack can be recharged with the normal transformer for applications with a unstable power grid. Price Adder 117,84 euro. Sun Battery Pack Option: Control Valves listed can be used with a rechargeable battery pack and custom PC board. This battery pack can be recharged with a solar panel for applications with no electrical power. Price Adder 182,11 euro.

Box: WxLxH	Box: Q.ty	Box: Weight	Pallet: WxLxH	Pallet: Q.ty	Pallet: Weight
	1				

Certificates	Manufacturer	Sectors
ACS CE	Clack	Commercial, Industrial



CLACK VALVE WS2EI

SPECIFIC		CONTROL VALVE FLOW RATES	
Inlet/Outlet	2" female BSPT	Service Δp 1 bar/15 psi drop	26,1 m ³ /h
Cycles	Up to 6	Backwash Δp 1.7 bar/25 psi drop	18,2 m ³ /h
Valve Material	Lead free brass	Cv Service	29,7
Regeneration	Downflow or Upflow	Cv Backwash	16,0

OPERATING PRESSURES		OPERATING TEMPERATURES	
Minimum/Maximum	1,4 ÷ 8,6 bar	Minimum/Maximum	4° ÷ 43° C

METER SPECIFICATIONS		DIMENSIONS	
Accuracy	± 5%	Distributor Pilot	50 mm
Flow Rate Range	5,7 ÷ 568 lpm	Drain Line Connection	1,5" Femmina NPT
Volume Range	0,02 ÷ 5.700 m ³	Brine Line Adapters Included	1" Male NPT elbow, 3/4" x 1" solvent weld elbow and 1/2" OD Poly Tube Compression
Totalizer.	0,001 - 4.294.000 m ³	Mounting Base	4" - 8 UN
		Height From Top Of Tank	216 mm
		Shipping Weight With Meter	13 kg

ELECTRICAL SPECIFICATIONS		TANK APPLICATIONS	
Supply Voltage	200V AC to 240V AC	Water Softener	12" ÷ 48" diameter
Supply Frequency	50/60 Hz	Water Filter	12" ÷ 36" diameter
Output Voltage	15VDC		
Output Current	500 mA		

CYCLES OF OPERATION	
Backwash 1st (upflow)	1 ÷ 95 minutes - Backwash 1-95
Regenerate Draw/Slow Rinse (downflow)	1 ÷ 180 minutes - Rinse 1-95
Backwash 2nd (upflow)	1 ÷ 95 minutes
Fast Rinse (downflow)	1 ÷ 95 minutes
Regenerant Refill (in service with treated water)	0,1 ÷ 99 minutes
Service (downflow)	

Options: Backwash Filter, Weather Cover

Compatible with the following typical concentrations of regenerants or chemicals: Sodium chloride, potassium chloride, potassium permanganate, sodium bisulfite, chlorine and chloramines



CLACK VALVE WS2EI QC

CONTROL VALVE



- Single valve, available also for twin alternating, twin parallel and multitank systems
- Transformer, Drain Line Flow Control (DLFC) washer, Top Distributor and accessories not included, to order separately
- 2" top mount or side mount control valve suited for commercial/industrial applications
- Epoxy coated lead free brass valve body
- Economical stainless steel optional meter assembly
- Solid state microprocessor with easy access front panel settings
- Front panel display for time of day, days until next regeneration, volume remaining, current flow rate and total volume used (Totalizer)
- Four methods to initiate regeneration; meter immediate, meter delayed, time clock delayed or pressure differential Optional
- double backwash feature offers optimum regeneration, cleaning ability and efficiency
- Fully adjustable cycle times with 6-cycle control delivers controlled backwash, downflow brining or upflow brining, slow rinse, second backwash, fast rinse, refill and downflow servi
- Coin Cell Lithium battery back-up with an 8 hour carry over
- Level VI 15-volt output DC power supply provides safe and easy installation
- Post treated water regenerant refill
- 24 Hour Clock
- Certified to NSF/ANSI 44, 61 and 372

Ref	Description	Fam.	Subfam.	Disp. Stock	
V2EIDMA-18	WS2EI VALVE DN M I-A QC	025	830		
V2EIDMB-18	WS2EI VALVE DN M I-B QC	025	830		
V2EIDMC-18	WS2EI VALVE DN M I-C QC	025	830		
V2EIDMD-18	WS2EI VALVE DN M I-D QC	025	830		
V2EIDME-18	WS2EI VALVE DN M I-E QC	025	830		
V2EIDMF-18	WS2EI VALVE DN M I-F QC	025	830		
V2EIDMG-18	WS2EI VALVE DN M I-G QC	025	830		
V2EIUMA-18	WS2EI VALVE UP M I-A QC	025	830		
V2EIUMB-18	WS2EI VALVE UP M I-B QC	025	830		
V2EIDTA-18	WS2EI VALVE DN T I-A QC	025	830		
V2EIDTB-18	WS2EI VALVE DN T I-B QC	025	830		
V2EIDTC-18	WS2EI VALVE DN T I-C QC	025	830		
V2EIDTD-18	WS2EI VALVE DN T I-D QC	025	830		
V2EIDTE-18	WS2EI VALVE DN T I-E QC	025	830		
V2EIDTF-18	WS2EI VALVE DN T I-F QC	025	830		
V2EIDTG-18	WS2EI VALVE DN T I-G QC	025	830		
V2EIBMZ-18	WS2EI VALVE BW M I-Z QC	025	830		
V2EIBTZ-18	WS2EI VALVE BW T I-Z QC	025	830		

When using the WS2EI/QC Control Valve, one of the following Tank Base Assemblies must be ordered, to complete the Control Valve:

Ref	Description	Fam.	Subfam.	Disp. Stock	
V3064	WS2H/2 QC 4	025	850		
V3055	WS2H/2 QC 6	025	850		
V3260BSPT-02	WS2H/2 QC 2" SIDE MOUNT BASE ASSEMBLY BSPT	025	850		



CLACK VALVE WS2EI QC

Ref	Softening System/Filter	Ø Injector Tank size	Downflow/Upflow	Meter	Mixing Valve
V2EIDMA-18	Softening System	18"	Downflow	included	Not included
V2EIDMB-18	Softening System	21"	Downflow	included	Not included
V2EIDMC-18	Softening System	24"	Downflow	included	Not included
V2EIDMD-18	Softening System	30"	Downflow	included	Not included
V2EIDME-18	Softening System	36"	Downflow	included	Not included
V2EIDMF-18	Softening System	42"	Downflow	included	Not included
V2EIDMG-18	Softening System	48"	Downflow	included	Not included
V2EIUMA-18	Softening System	24"	Up flow	included	Not included
V2EIUMB-18	Softening System	30"	Up flow	included	Not included
V2EIDTA-18	Softening System	18"	Downflow	Not included	Not included
V2EIDTB-18	Softening System	21"	Downflow	Not included	Not included
V2EIDTC-18	Softening System	24"	Downflow	Not included	Not included
V2EIDTD-18	Softening System	30"	Downflow	Not included	Not included
V2EIDTE-18	Softening System	36"	Downflow	Not included	Not included
V2EIDTF-18	Softening System	42"	Downflow	Not included	Not included
V2EIDTG-18	Softening System	48"	Downflow	Not included	Not included
V2EIBMZ-18	Filter	N/A	Backwash	included	Not included
V2EIBTZ-18	Filter	N/A	Backwash	Not included	Not included

NOTE: Controls listed are priced without a power cord or transformer. For AC Adapter (Transformer) selection see "ACCESSORIES" section (V3186-XX). Drain Line Flow Controls (DLFC) washer is not included. Please order separately. For 3/4" drain fitting (V3158-04), Flow rates 0.07 - 10.0 gpm: reference order numbers V3162-007 through V3162-100. For 1" drain fitting (V3008-05), Flow rates 9.0 - 25.0 gpm: reference order numbers V3190-090 through V3190-250. For 1.5" x 1.5" drain fittings (V3080BSPT), Flow rates 9 to 85 gpm: reference order numbers V3162-007 through V3162-100, and V3190-090 through V3190-250. 63 mm Top Distributor is not included. Please order separately: reference order numbers V-D1199-05 or V-D1200-04. Power Rechargeable Battery Pack Option: Control Valves listed can be used with a rechargeable battery pack and custom PC board. This battery pack can be recharged with the normal transformer for applications with an unstable power grid. Price Adder 117,84 euro. Sun Battery Pack Option: Control Valves listed can be used with a rechargeable battery pack and custom PC board. This battery pack can be recharged with a solar panel for applications with no electrical power. Price Adder 182,11 euro.

Box: WxLxH	Box: Q.ty	Box: Weight	Pallet: WxLxH	Pallet: Q.ty	Pallet: Weight
	1				

Certificates	Manufacturer	Sectors
ACS CE	Clack	Commercial, Industrial



CLACK VALVE WS2EIQC

SPECIFIC		CONTROL VALVE FLOW RATES	
Inlet/Outlet	2" female BSPT	Service Δp 1 bar/15 psi drop	473 lpm (28,4 m ³ /h) (125 gpm)
Cycles	Up to 6	Backwash Δp 1.7 bar/25 psi drop	322 lpm (19,3 m ³ /h) (85 gpm)
Valve Material	Lead free brass	Cv Service	32,3
Regeneration	Downflow or Upflow	Cv Backwash	17,0

OPERATING PRESSURES		OPERATING TEMPERATURES	
Minimum/Maximum	1,4 ÷ 8,6 bar	Minimum/Maximum	4° ÷ 43° C

METER SPECIFICATIONS		DIMENSIONS	
Accuracy	± 5%	Distributor Pilot	63 mm
Flow Rate Range	5,7 ÷ 568 lpm	Drain line connection	1,5" NPT
Volume Range	0,02 ÷ 5.700 m ³	Brine Line Adapters Included	1" Male NPT elbow, 3/4" x 1" solvent weld elbow and 1/2" OD Poly Tube Compression
Totalizer	0,001 - 4.294.000 m ³	Mounting Base	4" - 8 UN, 6" Flange or Side Mount
		Height From Top Of Tank with 4" - 8 UN QC Base	284,5 mm
		Height From Top Of Tank with 6" Flange QC Base	287,0 mm
		Weight	14 kg

ELECTRICAL SPECIFICATIONS		TANK APPLICATIONS	
Supply Voltage	200V AC to 240V AC	Water Softener	12" ÷ 48" diameter
Supply Frequency	50/60 Hz	Water Filter	12" ÷ 36" diameter
Output Voltage	15VDC		
Output Current	500 mA		

CYCLES OF OPERATION	
Backwash 1st (upflow)	1 ÷ 95 minutes
Regenerate Draw/Slow Rinse (downflow)	1 ÷ 180 minutes
Backwash 2nd (upflow)	1 ÷ 95 minutes
Fast Rinse (downflow)	1 ÷ 95 minutes
Regenerant Refill (in service with treated water)	0,1 ÷ 99 minutes
Service (downflow)	

Options: Backwash Filter, Weather Cover

Compatible with the following typical concentrations of regenerants or chemicals: Sodium chloride, potassium chloride, potassium permanganate, sodium bisulfite, chlorine and chloramines.



CLACK VALVE WS2CI

CONTROL VALVE



- Transformer, Drain Line Flow Control (DLFC) washer, Top Distributor and accessories not included, to order separately
- 2" Top mount control valve suited for commercial/industrial applications
- Epoxy coated lead free brass valve body
- Economical stainless steel optional meter assembly
- Solid state microprocessor with easy access front panel settings Front panel display for time of day, days until next regeneration, volume remaining and current flow rate
 - Four methods to initiate regeneration; meter immediate, meter delayed, time clock delayed or pressure differential
- Program in ppm, French degrees, German degrees, or cubic meters
- Fully programmable regeneration cycle sequence (maximum 9)
- Programmable regeneration cycle times
- Days override feature; 1-28 days available
- Coin Cell Lithium battery back-up with an 24 hour carry over
- Level VI 15-volt output DC power supply provides safe and easy installation
- Pre or Post treated water regenerant refill
- 24 Hour Clock
- Reliable and proven DC drive
- Certified to NSF/ANSI 44, 61 and 372

Ref	Description	Fam.	Subfam.	Disp. Stock	
V2CIDMD-05	WS2CI VALVE DN M I-D	025	820		
V2CIDME-05	WS2CI VALVE DN M I-E	025	820		
V2CIDMF-05	WS2CI VALVE DN M I-F	025	820		
V2CIDMG-05	WS2CI VALVE DN M I-G	025	820		
V2CIUMA-05	WS2CI VALVE UP M I-A	025	820		
V2CIUMB-05	WS2CI VALVE UP M I-B	025	820		
V2CIDTA-05	WS2CI VALVE DN T I-A	025	820		
V2CIDTB-05	WS2CI VALVE DN T I-B	025	820		
V2CIDTC-05	WS2CI VALVE DN T I-C	025	820		
V2CIDTD-05	WS2CI VALVE DN T I-D	025	820		
V2CIDTE-05	WS2CI VALVE DN T I-E	025	820		
V2CIDTF-05	WS2CI VALVE DN T I-F	025	820		
V2CIDTG-05	WS2CI VALVE DN T I-G	025	820		
V2CIBMZ-05	WS2CI VALVE BW M I-Z	025	820		
V2CIBTZ-05	WS2CI VALVE BW T I-Z	025	820		



CLACK VALVE WS2CI

Ref	Softening System/Filter	Ø Injector Tank size	Downflow/Upflow	Meter	Valvola di Miscelazione
V2CIDMD-05	Softening System	30"	Downflow	included	Not included
V2CIDME-05	Softening System	36"	Downflow	included	Not included
V2CIDMF-05	Softening System	42"	Downflow	included	Not included
V2CIDMG-05	Softening System	48"	Downflow	included	Not included
V2CIUMA-05	Softening System	24"	Upflow	included	Not included
V2CIUMB-05	Softening System	30"	Upflow	included	Not included
V2CIDTA-05	Softening System	18"	Downflow	Not included	Not included
V2CIDTB-05	Softening System	21"	Downflow	Not included	Not included
V2CIDTC-05	Softening System	24"	Downflow	Not included	Not included
V2CIDTD-05	Softening System	30"	Downflow	Not included	Not included
V2CIDTE-05	Softening System	36"	Downflow	Not included	Not included
V2CIDTF-05	Softening System	42"	Downflow	Not included	Not included
V2CIDTG-05	Softening System	48"	Downflow	Not included	Not included
V2CIBMZ-05	Filter	N/A	Backwash	included	Not included
V2CIBTZ-05	Filter	N/A	Backwash	Not included	Not included

NOTE: Controls listed are priced without a power cord or transformer. For AC Adapter (Transformer) selection see "ACCESSORIES" section (V3186-XX). Drain Line Flow Controls (DLFC) washer is not included. Please order separately. For 3/4" drain fitting (V3158-04), Flow rates 0.07 - 10.0 gpm: reference order numbers V3162-007 through V3162-100. For 1" drain fitting (V3008-05), Flow rates 9.0 - 25.0 gpm: reference order numbers V3190-090 through V3190-250. For 1.5" x 1.5" drain fittings (V3080BSPT), Flow rates 9 to 85 gpm: reference order numbers V3162-007 through V3162-100, and V3190-090 through V3190-250. 50 mm Top Distributor is not included. Please order separately: reference order numbers V-D1199-04 or V-D1300. Power Rechargeable Battery Pack Option: Control Valves listed can be used with a rechargeable battery pack and custom PC board. This battery pack can be recharged with the normal transformer for applications with an unstable power grid. Price Adder 117,84 euro. Sun Battery Pack Option: Control Valves listed can be used with a rechargeable battery pack and custom PC board. This battery pack can be recharged with a solar panel for applications with no electrical power. Price Adder 182,11 euro.

Box: WxLxH	Box: Q.ty	Box: Weight	Pallet: WxLxH	Pallet: Q.ty	Pallet: Weight
	1				

Certificates	Manufacturer	Sectors
ACS CE	Clack	Commercial, Industrial



CLACK VALVE WS2CI

SPECIFIC		CONTROL VALVE FLOW RATES	
Inlet/Outlet	2 female BSPT	Service Δp 1 bar/15 psi drop	26,1 m ³ /h
Cycles	Up to 9	Backwash Δp 1.7 bar/25 psi drop	18,2 m ³ /h
Valve Material	Lead free brass	Cv Service	29,7
Regeneration	Downflow or Upflow	Cv Backwash	16,0

OPERATING PRESSURES		OPERATING TEMPERATURES	
Minimum/Maximum	1,4 ÷ 8,6 bar	Minimum/Maximum	4° ÷ 43° C

METER SPECIFICATIONS		DIMENSIONS	
Accuracy	± 5%	Distributor Pilot	50 mm OD
Flow Rate Range	5,7 ÷ 568 lpm	Drain line connection	1,5" Female NPT
Volume Range	0,02 ÷ 5.700 m ³	Brine Line Adapters Included	1" Male NPT elbow, 3/4" x 1" solvent weld elbow and 1/2" OD Poly Tube Compression
Totalizer	1 - 99.999 m ³	Mounting Base	4" - 8 UN
		Height From Top Of Tank	216 mm
		Shipping Weight With Meter	13 kg

ELECTRICAL SPECIFICATIONS		TANK APPLICATIONS	
Supply Voltage	200V AC to 240V AC	Water Softener	12" ÷ 48" diameter
Supply Frequency	50/60 Hz	Water Filter	12" ÷ 36" diameter
Output Voltage	15VDC		
Output Current	500 mA		

CYCLES OF OPERATION	
Choose up to nine regeneration cycles, in any order, with a wide range of available values:	
Backwash	1 ÷ 120 minutes
Rinse	1 ÷ 120 minutes
Pause (service)	1 ÷ 480 minutes
Brine (co-current)	1 ÷ 180 minutes
Refill (softener)	0,1 ÷ 99 minutes
Refill (filter)	0,1 ÷ 99 minutes

Options: Backwash Filter, Weather Cover

Compatible with the following typical concentrations of regenerants or chemicals: Sodium chloride, potassium chloride, potassium permanganate, sodium bisulfite, chlorine and chloramines



CLACK VALVE WS2CI QC

CONTROL VALVE



- Single valve, available also for twin alternating, twin parallel and multitank systems
- Transformer, Drain Line Flow Control (DLFC) washer, Top Distributor and accessories not included, to order separately
- 2" top mount or side mount control valve suited for commercial/industrial applications
- Epoxy coated lead free brass valve body
- Economical stainless steel optional meter assembly
- Solid state microprocessor with easy access front panel settings
- Front panel display for time of day, days until next regeneration, volume remaining and current flow rate
- Four methods to initiate regeneration; meter immediate, meter delayed, time clock delayed or pressure differential
- Program in ppm, French degrees, German degrees, or cubic meters
- Fully programmable regeneration cycle sequence (maximum 9)
- Programmable regeneration cycle times
- Days override feature; 1-28 days available
- Coin Cell Lithium battery back-up with an 24 hour carry over
- Level VI 15-volt output DC power supply provides safe and easy installation
- Pre or Post treated water regenerant refill
- 24 Hour Clock
- Reliable and proven DC drive
- Certified to NSF/ANSI 44, 61 and 372

Ref	Description	Fam.	Subfam.	Disp. Stock	
V2CIDMA-18	WS2CI VALVE DN M I-A QC	025	820		
V2CIDMB-18	WS2CI VALVE DN M I-B QC	025	820		
V2CIDMC-18	WS2CI VALVE DN M I-C QC	025	820		
V2CIDMD-18	WS2CI VALVE DN M I-D QC	025	820		
V2CIDME-18	WS2CI VALVE DN M I-E QC	025	820		
V2CIDMF-18	WS2CI VALVE DN M I-F QC	025	820		
V2CIDMG-18	WS2CI VALVE DN M I-G QC	025	820		
V2CIUMA-18	WS2CI VALVE UP M I-A QC	025	820		
V2CIUMB-18	WS2CI VALVE UP M I-B QC	025	820		
V2CIDTA-18	WS2CI VALVE DN T I-A QC	025	820		
V2CIDTB-18	WS2CI VALVE DN T I-B QC	025	820		
V2CIDTC-18	WS2CI VALVE DN T I-C QC	025	820		
V2CIDTD-18	WS2CI VALVE DN T I-D QC	025	820		
V2CIDTE-18	WS2CI VALVE DN T I-E QC	025	820		
V2CIDTF-18	WS2CI VALVE DN T I-F QC	025	820		
V2CIDTG-18	WS2CI VALVE DN T I-G QC	025	820		
V2CIBMZ-18	WS2CI VALVE BW M I-Z QC	025	820		
V2CIBTZ-18	WS2CI VALVE BW T I-Z QC	025	820		

When using the WS2EI/QC Control Valve, one of the following Tank Base Assemblies must be ordered, to complete the Control Valve:

Ref	Description	Fam.	Subfam.	Disp. Stock	
V3064	WS2H/2 QC 4	025	850		
V3055	WS2H/2 QC 6	025	850		
V3260BSPT-02	WS2H/2 QC 2" SIDE MOUNT BASE ASSEMBLY BSPT	025	850		



CLACK VALVE WS2CI QC

Ref	Softening System/Filter	Ø Injector Tank size	Downflow/Upflow	Meter	Mixing Valve
V2CIDMA-18	Softening System	18"	Downflow	included	Not included
V2CIDMB-18	Softening System	21"	Downflow	included	Not included
V2CIDMC-18	Softening System	24"	Downflow	included	Not included
V2CIDMD-18	Softening System	30"	Downflow	included	Not included
V2CIDME-18	Softening System	36"	Downflow	included	Not included
V2CIDMF-18	Softening System	42"	Downflow	included	Not included
V2CIDMG-18	Softening System	48"	Downflow	included	Not included
V2CIUMA-18	Softening System	24"	Upflow	included	Not included
V2CIUMB-18	Softening System	30"	Upflow	included	Not included
V2CIDTA-18	Softening System	18"	Downflow	Not included	Not included
V2CIDTB-18	Softening System	21"	Downflow	Not included	Not included
V2CIDTC-18	Softening System	24"	Downflow	Not included	Not included
V2CIDTD-18	Softening System	30"	Downflow	Not included	Not included
V2CIDTE-18	Softening System	36"	Downflow	Not included	Not included
V2CIDTF-18	Softening System	42"	Downflow	Not included	Not included
V2CIDTG-18	Softening System	48"	Downflow	Not included	Not included
V2CIBMZ-18	Filter	N/A	Backwash	included	Not included
V2CIBTZ-18	Filter	N/A	Backwash	Not included	Not included

NOTE: Controls listed are priced without a power cord or transformer. For AC Adapter (Transformer) selection see "ACCESSORIES" section (V3186-XX). Drain Line Flow Controls (DLFC) washer is not included. Please order separately. For 3/4" drain fitting (V3158-04), Flow rates 0.07 - 10.0 gpm: reference order numbers V3162-007 through V3162-100. For 1" drain fitting (V3008-05), Flow rates 9.0 - 25.0 gpm: reference order numbers V3190-090 through V3190-250. For 1.5" x 1.5" drain fittings (V3080BSPT), Flow rates 9 to 85 gpm: reference order numbers V3162-007 through V3162-100, and V3190-090 through V3190-250. 63 mm Top Distributor is not included. Please order separately: reference order numbers V-D1199-05 or V-D1200-04. Power Rechargeable Battery Pack Option: Control Valves listed can be used with a rechargeable battery pack and custom PC board. This battery pack can be recharged with the normal transformer for applications with a unstable power grid. Price Adder 117,84 euro. Sun Battery Pack Option: Control Valves listed can be used with a rechargeable battery pack and custom PC board. This battery pack can be recharged with a solar panel for applications with no electrical power. Price Adder 182,11 euro

Box: WxLxH	Box: Q.ty	Box: Weight	Pallet: WxLxH	Pallet: Q.ty	Pallet: Weight
	1				

Certificates	Manufacturer	Sectors
ACS CE	Clack	Commercial, Industrial



CLACK VALVE WS2CIQC

SPECIFIC		CONTROL VALVE FLOW RATES	
Inlet/Outlet	2" female BSPT	Service Δp 1 bar/15 psi drop	28,4 m ³ /h
Cycles	Up to 9	Backwash Δp 1.7 bar/25 psi drop	19,3 m ³ /h
Valve Material	Lead free brass	Cv Service	32,3
Regeneration	Downflow or Upflow	Cv Backwash	17,0

OPERATING PRESSURES		OPERATING TEMPERATURES	
Minimum/Maximum	1,4 ÷ 8,6 bar	Minimum/Maximum	4° ÷ 43° C

METER SPECIFICATIONS		DIMENSIONS	
Accuracy	± 5%	Distributor Pilot	63 mm OD
Flow Rate Range	5,7 ÷ 568 lpm	Drain line connection	1,5" Female NPT
Volume Range	0,02 ÷ 5.700 m ³	Brine Line Adapters Included	3/4" x 1" solvent weld elbow and 1/2" OD Poly Tube Compression
Totalizer	1 - 99.999 m ³	Mounting Base	4" - 8 UN, 6" Flange or Side Mount
		Height From Top Of Tank with 4" - 8 UN QC Base	284,5 mm
		Height From Top Of Tank with 6" Flange QC Base	287,0 mm
		Weight	14 kg

ELECTRICAL SPECIFICATIONS		TANK APPLICATIONS	
Supply Voltage	200V AC to 240V AC	Water Softener	12" ÷ 48" diameter
Supply Frequency	50/60 Hz	Water Filter	12" ÷ 36" diameter
Output Voltage	15VDC		
Output Current	500 mA		

CYCLES OF OPERATION	
Choose up to nine regeneration cycles, in any order, with a wide range of available values: Cycle	
Backwash	1 ÷ 120 minutes
Rinse	1 ÷ 120 minutes
Pause (service)	1 ÷ 480 minutes
Brine (co-current)	1 ÷ 180 minutes
Refill (softener)	0,1 ÷ 99 minutes
Refill (filter)	0,1 ÷ 99 minutes

Options: Backwash Filter, Weather Cover

Compatible with the following typical concentrations of regenerants or chemicals: Sodium chloride, potassium chloride, potassium permanganate, sodium bisulfite, chlorine and chloramines.



CLACK VALVE WS2H



CONTROL VALVE

- 2" top mount or side mount control valve suited for industrial applications
- Transformer, Drain Line Flow Control (DLFC) washer, Top Distributor and accessories not included, to order separately
- Epoxy coated lead free brass valve body
- Built-in Internal Flow Meter standard with all valves
- Solid state microprocessor with easy access front removable POD
- Front panel display for Time of Day, Current Flow Rate, Totalizer and Volume/Days until Regeneration
- Four methods to initiate the down flow regeneration; meter delayed, meter immediate, time clock delayed, or pressure differential
- Fully programmable regeneration cycle sequences (maximum 9)
- Fully programmable regeneration cycle times
- Pre or Post treated water regenerant refill
- Days override feature; 1-28 days available
- Stores system configuration and operation data in nonvolatile memory
- Capacitor back-up with a 24 hour carry over
- Level VI 18-volt output DC power supply provides safe and easy installation
- Reliable and proven DC drive
- Certified to NSF/ANSI 44, 61 and 372

Ref	Description	Fam.	Subfam.	Disp. Stock	
V2HDMA-05	WS2H VALVE DN M I-A	025	840		
V2HDMB-05	WS2H VALVE DN M I-B	025	840		
V2HDMC-05	WS2H VALVE DN M I-C	025	840		
V2HDMD-05	WS2H VALVE DN M I-D	025	840		
V2HDME-05	WS2H VALVE DN M I-E	025	840		
V2HDMF-05	WS2H VALVE DN M I-F	025	840		
V2HDMG-05	WS2H VALVE DN M I-G	025	840		
V2HDMH-05	WS2H VALVE DN M I-H	025	840		
V2HBMZ-05	WS2H VALVE BW M I-Z	025	840		

When using the WS2H Control Valve, one of the following Tank Base Assemblies must be ordered, to complete the Control Valve:

Ref	Description	Fam.	Subfam.	Disp. Stock	
V3064	WS2H/2 QC 4	025	850		
V3055	WS2H/2 QC 6	025	850		
V3260BSPT-02	WS2H/2 QC 2" SIDE MOUNT BASE ASSEMBLY BSPT	025	850		



CLACK VALVE WS2H

Ref	Softening System/Filter	Ø Injector Tank size	Downflow/Upflow	Meter	Mixing Valve
V2HDMA-05	Softening System	12"	Downflow	included	Not included
V2HDMB-05	Softening System	14"	Downflow	included	Not included
V2HDMC-05	Softening System	18"	Downflow	included	Not included
V2HDMD-05	Softening System	21"	Downflow	included	Not included
V2HDME-05	Softening System	14"	Upflow	included	Not included
V2HDMF-05	Softening System	18"	Upflow	included	Not included
V2HDMG-05	Softening System	14"	Downflow	Not included	Not included
V2HDMH-05	Softening System	18"	Downflow	Not included	Not included
V2HBMZ-05	Softening System	21"	Downflow	Not included	Not included

NOTE: All WS2H Control Valves listed above come standard with a V3162-022, 2.2 gpm Brine Line Flow Control (BLFC). Other sizes are available. Controls listed are priced without a power cord or transformer. For AC Adapter (Transformer) selection see "ACCESSORIES" section (V3461XX-01). Drain Line Flow Controls (DLFC) washer is not included. Please order separately. The V3051BSPT DLFC Assembly BSPT is capable of up to 4 - V3190-XXX Flow Controls and 5 - V3162-XXX Flow Controls for a total flow rate of 150 gpm. For 3/4" DLFC buttons, reference order numbers V3162-007 through V3162-100. For 1" DLFC buttons, reference order numbers V3190-090 through V3190-250. 63 mm Top Distributor is not included. Please order separately: reference order numbers V-D1199-05 or V-D1200-04.

Box: WxLxH	Box: Q.ty	Box: Weight	Pallet: WxLxH	Pallet: Q.ty	Pallet: Weight
	1				

Certificates	Manufacturer	Sectors
ACS CE	Clack	Industrial



CLACK VALVE WS2H

SPECIFIC		CONTROL VALVE FLOW RATES	
Inlet/Outlet	2" female BSPT or 2.5" Groove Lock	Service Δp 15 psi/1 bar drop (includes meter)	28,4 m ³ /h
Cycles	Up to 9	Backwash Δp 25 psi/1.7 bar drop	28,4 m ³ /h
Valve Material	Lead free brass	Cv Service	32,3
Regeneration	Downflow	Cv Backwash	25,0

OPERATING PRESSURES		OPERATING TEMPERATURES	
Minimum/Maximum	1,4 ÷ 8,6 bar	Minimum/Maximum	4° ÷ 43° C

METER SPECIFICATIONS		DIMENSIONS	
Accuracy	± 5%	Distributor Pilot	63 mm OD
Flow Rate Range	5,7 ÷ 743 lpm	Drain line connection	2" Female BSPT
Volume Range	0,038 ÷ 3.796 m ³	Brine Line Adapters Included	1" Male NPT elbow and ¾" x 1" solvent weld elbow ½" or 5/8" OD Poly Tube Compression
Totalizer	3,8 - 3.785.000 m ³	Mounting Base	4" - 8 UN6" Flange or Side Mount
		Height From Top Of Tank with 4" - 8 UN QC Base	292,0 mm
		Height From Top Of Tank with 6" Flange QC Base	294,6 mm
		Shipping Weight With Internal Meter	22,7 kg

ELECTRICAL SPECIFICATIONS		TANK APPLICATIONS	
Supply Voltage	200V AC to 240V AC	Water Softener	18" ÷ 63" diameter
Supply Frequency	50/60 Hz	Water Filter	18" ÷ 48" diameter
Output Voltage	15VDC		
Output Current	500 mA		

CYCLES OF OPERATION	
Choose up to nine regeneration cycles, in any order, with a wide range of available values: Cycle	
Backwash	1 ÷ 95 minutes
Brine (draw)	1 ÷ 180 minutes
Slow Rinse	1 ÷ 95 minutes
Fast Rinse	1 ÷ 95 minutes
Refill	0,1 ÷ 99 minutes
Hold (service)	1 - 480 minutes

Options: Backwash Filter, Weather Cover

Compatible with the following typical concentrations of regenerants or chemicals: Sodium chloride, potassium chloride, potassium permanganate, sodium bisulfite, chlorine and chloramines.



CLACK VALVE WS3

CONTROL VALVE



- 3" top mount or side mount control valve suited for industrial applications
- Transformer, Drain Line Flow Control (DLFC) washer, Top Distributor and accessories not included, to order separately;
- Epoxy coated lead free brass valve body;
- Economical stainless steel optional meter assembly;
- Built-in Internal Flow Meter standard with all valves;
- Solid state microprocessor with easy access front removable POD;
- Front panel display for Time of Day, Current Flow Rate, Totalizer and Volume/Days until Regeneration
- Four methods to initiate the down flow regeneration; meter delayed, meter immediate, time clock delayed, or pressure differential Fully programmable regeneration cycle sequences (maximum 9)
- Fully programmable regeneration cycle times
- Pre or Post treated water regenerant refill
- Days override feature; 1-28 days available
- Stores system configuration and operation data in nonvolatile memory
- Capacitor back-up with a 24 hour carry over
- Level VI 18-volt output DC power supply provides safe and easy installation
- Reliable and proven DC drive
- Certified to NSF/ANSI 44, 61 and 372

Ref	Description	Fam.	Subfam.	Disp. Stock	
V3DTA-05	WS3 VALVE DN T I-A	025	845		
V3DTB-05	WS3 VALVE DN T I-B	025	845		
V3DTC-05	WS3 VALVE DN T I-C	025	845		
V3DTD-05	WS3 VALVE DN T I-D	025	845		
V3DTE-05	WS3 VALVE DN T I-E	025	845		
V3DTF-05	WS3 VALVE DN T I-F	025	845		
V3DTG-05	WS3 VALVE DN T I-G	025	845		
V3DTH-05	WS3 VALVE DN T I-H	025	845		
V3BTZ-05	WS3 VALVE BW T I-Z	025	845		

When using the WS3 Control Valve, one of the following Tank Base Assemblies must be ordered, to complete the Control Valve:

Ref	Description	Fam.	Subfam.	Disp. Stock	
V3090	WS3 6	025	850		
V3674BSPT-02	WS3 SIDE MOUNT BASE ASSEMBLY BSPT	025	850		



CLACK VALVE WS3

Ref	Softening System/Filter	Ø Tank	Downflow/Upflow	Meter	Mixing Valve
V3DTA-05	Softening System	18"	Downflow	Not included	Not included
V3DTB-05	Softening System	21"	Downflow	Not included	Not included
V3DTC-05	Softening System	24"	Downflow	Not included	Not included
V3DTD-05	Softening System	30"	Downflow	Not included	Not included
V3DTE-05	Softening System	36"	Downflow	Not included	Not included
V3DTF-05	Softening System	42"	Downflow	Not included	Not included
V3DTG-05	Softening System	48"	Downflow	Not included	Not included
V3DTH-05	Softening System	63"	Downflow	Not included	Not included
V3BTZ-05	Filter	N/A	Backwash	Not included	Not included

NOTE: All WS3 Control Valves listed above come standard with a V3162-022, 2.2 gpm Brine Line Flow Control (BLFC). Other sizes are available. Controls listed are priced without a power cord or transformer. For AC Adapter (Transformer) selection see "ACCESSORIES" section (V3461XX-01). Drain Line Flow Controls (DLFC) washer is not included. Please order separately. For the 3" drain fittings (V3764BSPT), Flow rates 9 to 225 gpm: uses up to 9 of the 1" DLFC buttons, reference order numbers V3190-090 through V3190-250. 90 mm Top Distributor is not included. Please order separately.

Box: WxLxH	Box: Q.ty	Box: Weight	Pallet: WxLxH	Pallet: Q.ty	Pallet: Weight
	1				

Certificates	Manufacturer	Sectors
ACS CE	Clack	Industrial



CLACK VALVE WS3

SPECIFIC		CONTROL VALVE FLOW RATES	
Inlet/Outlet	3" female BSPT	Service Δp 15 psi/1 bar drop	56,8 m ³ /h
Cycles	Up to 9	Backwash Δp 25 psi/1.7 bar drop	50,0 m ³ /h
Valve Material	Lead free brass	Cv Service	44,6
Regeneration	Downflow	Cv Backwash	44,0

OPERATING PRESSURES		OPERATING TEMPERATURES	
Minimum/Maximum	1,4 ÷ 8,6 bar	Minimum/Maximum	4° ÷ 43° C

METER SPECIFICATIONS		DIMENSIONS	
Accuracy	± 5%	Distributor tube O. D. diameter	90 mm OD
Flow Rate Range	13,3 ÷ 1.325 lpm	Drain line connection	3" F BSPT
Volume Range	(3.786 - 3.785.407,9 liters x1000)	Brine Line Adapters Included	1 Male NPT elbow and 3/4" x 1" solvent weld elbow
		Mounting Base	6" Flange or Side Mount
		Height From Top Of Tank with 6" Flange QC Base	318 mm
		Shipping Weight Without Optional Meter	25,9 kg

ELECTRICAL SPECIFICATIONS		TANK APPLICATIONS	
Supply Voltage	200V AC to 240V AC	Water Softener	18" ÷ 63" diameter
Supply Frequency	50/60 Hz	Water Filter	18" ÷ 63" diameter
Output Voltage	15VDC		
Output Current	500 mA		

CYCLES OF OPERATION	
Choose up to nine regeneration cycles, in any order, with a wide range of available values:	
Backwash	1 ÷ 95 minutes
Brine	1 ÷ 180 minutes
Slow Rinse	1 ÷ 95 minutes
Fast Rinse	1 ÷ 95 minutes
Refill	0,1 ÷ 99 minutes
Hold (service)	0,1 ÷ 480 minutes

Options: Backwash Filter

Compatible with the following typical concentrations of regenerants or chemicals: Sodium chloride, potassium chloride, potassium permanganate, sodium bisulfite, chlorine and chloramines.



CLACK VALVE: WS1CI, WS1CI TWIN, WS1EI, WS1EI TWIN, WS1TC, WS125TC, WS125CI, WS125EI, WS15CI, WS15EI, WS2CI, WS2EI, WS2CI/QC, WS2EI/QC

ACCESSORIES

Ref	Description	Fam.	Subfam.	Disp. Stock	
V3006	WS1 BYPASS ASSEMBLY	015	760		
V3007	WS1 FITTING 1	015	760		
V3007-01	WS1 FITTING 3/4	015	760		
V3007-02LF	WS1 FITTING 1" BRASS SWEAT ASSEMBLY LF	015	760		
V3007-03LF	WS1 FITTING 3/4" BRASS SWEAT ASSEMBLY LF	015	760		
V3007-06	WS1 FITTING 1	015	760		
V3007-07	WS1 FITTING 1.25	015	760		
V3007-08	WS1 FITTING 1.25	015	760		
V3007-09LF	WS1 FITTING 1-1/4" & 1-1/2" BRASS SWEAT ASSY LF	015	760		
V3007-14	WS1 FITTING 3/4	015	760		
V3007-15	WS1 FITTING 3/4" JOHN GUEST QC ELBOW ASSEMBLY	015	760		
V3007-16	WS1 FITTING 1" PVC MALE BSPT 90 ASSEMBLY	015	760		
V3007-17	WS1 FITTING 1" JOHN GUEST QC ASSEMBLY	015	760		
V3007-19	WS1 FITTING 3/4" STRAIGHT JOHN GUEST QC	015	760		
V3008-02	WS1 DRAIN FITTING 1	015	760		
V3008-04	WS1 DRAIN FITTING 1	015	760		
V3008-05	WS2 DRAIN FITTING 1	025	850		
V3009	WS1 AUXILIARY MICROSWITCH ASSEMBLY	015	760		
V3009	WS1 AUXILIARY MICROSWITCH ASSEMBLY	015	760		
V3009	WS1 AUXILIARY MICROSWITCH ASSEMBLY	015	760		
V3009	WS1 AUXILIARY MICROSWITCH ASSEMBLY	015	760		
V3014	WS1 SERIES MICROSWITCH ASSEMBLY	015	760		
V3017	WS2 SERVICE OR FILL SWITCH ASSEMBLY	025	850		
V3022	WS1 STACK PULLER ASSEMBLY	015	760		
V3030-01	SYSTEM CONTROLLER BOX	015	760		
V3040BSPT	WS1.5 METER ASSEMBLY BSPT	025	850		
V3040BSPT-15	WS1.5 METER ASSEMBLY BSPT 15 FOOT METER CABLE	025	850		
V3051BSPT	WS2H/3 DLFC ASSY 2 M-BSPT X 2 F-BSPT (NO DLFC BUTTONS)	025	850		
V3053	WS2 2-1/2	025	850		
V3055	WS2H/2 QC 6	025	850		
V3064	WS2H/2 QC 4	025	850		
V3069FF-01	WS1/125 MAV FEMALE X FEMALE 3-WIRE	015	760		
V3069MM-01	WS1/125 MAV MALE X MALE 3-WIRE	015	760		



CLACK VALVE: WS1CI, WS1CI TWIN, WS1EI, WS1EI TWIN, WS1TC, WS125TC, WS125CI, WS125EI, WS15CI, WS15EI, WS2CI, WS2EI, WS2CI/QC, WS2EI/QC

Ref	Description	Fam.	Subfam.	Disp. Stock	
V3190-090	WS1 DLFC 090 (9.0 GPM) FOR 1	025	850		
V3190-100	WS1 DLFC 100 (10.0 GPM) FOR 1	025	850		
V3190-110	WS1 DLFC 110 (11.0 GPM) FOR 1	025	850		
V3190-130	WS1 DLFC 130 (13.0 GPM) FOR 1	025	850		
V3190-150	WS1 DLFC 150 (15.0 GPM) FOR 1	025	850		
V3190-170	WS1 DLFC 170 (17.0 GPM) FOR 1	025	850		
V3190-200	WS1 DLFC 170 (17.0 GPM) FOR 1	025	850		
V3190-250	WS1 DLFC 250 (25.0 GPM) FOR 1	025	850		
V3191-01	WS1 BYPASS VERTICAL ADAPTER ASSEMBLY	015	760		
V3192	WS1 NUT 3/4	015	760		
V3193-02	WS1 SERVICE SPANNER WRENCH	015	760		
V3260BSPT-02	WS2H/2 QC 2" SIDE MOUNT BASE ASSEMBLY BSPT	025	850		
V3467	WS1 BY PASS INLINE ADAPTER FITTINGS	015	760		
V3474	WS ALTERNATING CONNECTION CORD 8	025	860		
V3475-12	WS2H/3 SYSTEM CONNECTION CORD 12' RED	025	850		
V3475-24	WS2H/3 SYSTEM CONNECTION CORD 24' BLUE		850		
V3475-36	WS2H/3 SYSTEM CONNECTION CORD 36	025	850		
V3478	WS1 INLINE BYPASS ASSEMBLY 1	015	760		
V3478-01	WS1 INLINE BYPASS ASSEMBLY 3/4	015	760		
V3783WC-A	WS2 WEATHER COVER ALMOND	025	850		
V3783WC-W	WS2 WEATHER COVER WHITE	025	850		
V3974WC-A	WS15 WEATHER COVER ALMOND GENERATION 2	025	850		
V3962	WS1 DRAIN ELBOW & RETAINER ASSY W/O SILENCER	015	760		
V3974WC-W	WS15 WEATHER COVER WHITE GENERATION 2	025	850		
V4052-01	TT TWIN TANK INTERCONNECT KIT FOR 12"-21" TANKS	015	760		
V4057	WS1 DRAIN ELBOW & RETAINER ASSY W/SILENCER	015	760		
V4099	WS1 EXTERNAL IN-LINE MIXING VALVE	015	760		
V4276-15	15' POWER CORD	015	760		
V4276-36	36' POWER CORD	015	760		
V4325	SOFTWARE CONFIGURATOR PROGRAM	015	760		
V-D1199-04	TOP STACK DISTRIBUTOR 50 MM	025	850		
V-D1199-05	TOP STACK DISTRIBUTOR 63 MM	025	850		
V-D1200-04	TOP STACK DISTRIBUTOR 63 MM FOR FLANGE TANKS	025	850		
V-D1203-03	UPPER SCREEN 32 MM-TWIST LOCK	015	760		
V-D1300	TOP BAFFLE DISTRIBUTOR 50 MM	025	850		
V-PKP10TS8-BULK	POLYTUBE INSERT 5/8	015	760		



CLACK VALVE: WS2H, WS3

ACCESSORIES

Ref	Description	Fam.	Subfam.	Disp. Stock	
V3051BSPT	WS2H/3 DLFC ASSY 2 M-BSPT X 2 F-BSPT (NO DLFC BUTTONS)	025	850		
V3053	WS2 2-1/2	025	850		
V3055	WS2H/2 QC 6	025	850		
V3064	WS2H/2 QC 4	025	850		
V3076BSPT	WS2 MAV BSPT REVISION 2 (PISTON STYLE)	025	850		
V3116-06	LABEL FOR INJECTOR PLUG	015	770		
V3080BSPT	WS2 DLFC ASSY 1.5 M-NPT X 1.5 F-BSPT (NO DLFC BUTTONS)	025	850		
V3083BSPT	WS3 MOTORIZED ALTERNATING VALVE BSPT	025	850		
V3090	WS3 6	025	850		
V3095BSPT	WS3 3" METER ASSEMBLY BSPT MALE X FEMALE	025	850		
V3095BSPT-15	WS3 MOTORIZED ALTERNATING VALVE BSPT	025	850		
V3098BSPT	2" NO HARD WATER BYPASS MALE X FEMALE BSPT	025	850		
V3099BSPT	WS3 NO HARD WATER BYPASS MALE X FEMALE BSPT	025	850		
V3162-007	WS1 DLFC 007 (0.7 GPM) FOR 3/4	015	760		
V3162-010	WS1 DLFC 010 (1.0 GPM) FOR 3/4	015	760		
V3162-013	WS1 DLFC 013 (1.3 GPM) FOR 3/4	015	760		
V3162-017	WS1 DLFC 017 (1.7 GPM) FOR 3/4	015	760		
V3162-022	WS1 DLFC 022 (2.2 GPM) FOR 3/4	015	760		
V3162-027	WS1 DLFC 027 (2.7 GPM) FOR 3/4	015	760		
V3162-032	WS1 DLFC 032 (3.2 GPM) FOR 3/4	015	760		
V3162-042	WS1 DLFC 042 (4.2 GPM) FOR 3/4	015	760		
V3162-053	WS1 DLFC 053 (5.3 GPM) FOR 3/4	015	760		
V3162-065	WS1 DLFC 065 (6.5 GPM) FOR 3/4	015	760		
V3162-075	WS1 DLFC 075 (7.5 GPM) FOR 3/4	015	760		
V3162-090	WS1 DLFC 090 (9.0 GPM) FOR 3/4	015	760		



CLACK VALVE: WS2H, WS3

Ref	Description	Fam.	Subfam.	Disp. Stock	
V3162-100	WS1 DLFC 100 (10.0 GPM) FOR 3/4	015	760		
V3190-090	WS1 DLFC 090 (9.0 GPM) FOR 1	025	850		
V3190-100	WS1 DLFC 100 (10.0 GPM) FOR 1	025	850		
V3190-110	WS1 DLFC 110 (11.0 GPM) FOR 1	025	850		
V3190-130	WS1 DLFC 130 (13.0 GPM) FOR 1	025	850		
V3190-150	WS1 DLFC 150 (15.0 GPM) FOR 1	025	850		
V3190-170	WS1 DLFC 170 (17.0 GPM) FOR 1	025	850		
V3190-200	WS1 DLFC 170 (17.0 GPM) FOR 1	025	850		
V3190-250	WS1 DLFC 250 (25.0 GPM) FOR 1	025	850		
V3260BSPT-02	WS2H/2 QC 2" SIDE MOUNT BASE ASSEMBLY BSPT	025	850		
V3243-01BOARD	WS2H/3 PC BOARD SYSTEM WITH RELAY	025	860		
V3461-01	WS2H/3 AC 20V ADAPTER USA	025	850		
V3461EU-01	WS2H/3 AC 20V ADAPETR EU	025	850		
V3461UK-01	WS2H/3 AC 20V ADAPTER UK	025	850		
V3474	WS ALTERNATING CONNECTION CORD 8	025	860		
V3475-12	WS2H/3 SYSTEM CONNECTION CORD 12' RED	025	850		
V3475-24	WS2H/3 SYSTEM CONNECTION CORD 24' BLUE	025	850		
V3475-36	WS2H/3 SYSTEM CONNECTION CORD 36	025	850		
V3674BSPT-02	WS1 BYPASS ROTOR SEAL RETAINER	025	850		
V3764BSPT	WS3 DLFC ASSY 3 M-BSPT X 3 F-BSPT (NO DLFC BUTTONS)	025	850		
V4039	WS3 METER ASSEMBLY WITH 4' CORD	025	850		
V4051WC	WS2H/3 WEATHER COVER	025	850		
V-D1199-05	TOP STACK DISTRIBUTOR 63 MM	025	850		
V-D1200-04	TOP STACK DISTRIBUTOR 63 MM FOR FLANGE TANKS	025	850		



INJECTORS FOR VARIOUS TANK SIZES: WS1 e WS1.25 (CAN BE ORDERED SEPARATELY)

Ref	Description	Fam.	Subfam.	Disp. Stock	
V3010-1A	WS1 INJECTOR ASSEMBLY A BLACK	015	770		
V3010-1B	WS1 INJECTOR ASSEMBLY B BROWN	015	770		
V3010-1C	WS1 INJECTOR ASSEMBLY C VIOLET	015	770		
V3010-1D	WS1 INJECTOR ASSEMBLY D RED	015	770		
V3010-1E	WS1 INJECTOR ASSEMBLY E WHITE	015	770		
V3010-1F	WS1 INJECTOR ASSEMBLY F BLUE	015	770		
V3010-1G	WS1 INJECTOR ASSEMBLY G YELLOW	015	770		
V3010-1H	WS1 INJECTOR ASSEMBLY H GREEN	015	770		
V3010-1I	WS1 INJECTOR ASSEMBLY I ORANGE	015	770		
V3010-1J	WS1 INJECTOR ASSEMBLY J LIGHT BLUE	015	770		
V3010-1K	WS1 INJECTOR ASSEMBLY K LIGHT GREEN	015	770		
V3010-1Z	WS1 INJECTOR ASSEMBLY Z PLUG	015	770		

Ref	Injector Color	Typical Tank Diameter Downflow Brine	Typical Tank Diameter Upflow Brine
V3010-1A	Black	6"	8"
V3010-1B	Brown	7"	9"
V3010-1C	Violet	8"	10"
V3010-1D	Red	9"	12"
V3010-1E	White	10"	13"
V3010-1F	Blue	12"	14"
V3010-1G	Yellow	13"	14"
V3010-1H	Green	14"	16"
V3010-1I	Orange	16"	18"
V3010-1J	Light Blue	18"	21"
V3010-1K	Light Green	21"	N.A
V3010-1Z	N.A	N.A	N.A

- Note: Injector Recommendations - Above injectors are for downflow brining units,
- For upflow brining units the injector should be "down-sized" two tank sizes.
- Example: A 8" downflow softener would use a "C" injector, where as a 8" upflow softener would use an "A" injector



INJECTORS FOR VARIOUS TANK SIZES: WS1.5 (CAN BE ORDERED SEPARATELY)

Ref	Description	Fam.	Subfam.	Disp. Stock	
V3010-15B	WS1.5 / WS2 INJECTOR ASSEMBLY B VIOLET	025	860		
V3010-15C	WS1.5 / WS2 INJECTOR ASSEMBLY C RED	025	860		
V3010-15D	WS1.5 / WS2 INJECTOR ASSEMBLY D WHITE	025	860		
V3010-15E	WS1.5 / WS2 INJECTOR ASSEMBLY E BLUE	025	860		
V3010-15F	WS1.5 / WS2 INJECTOR ASSEMBLY F YELLOW	025	860		
V3010-15G	WS1.5 / WS2 INJECTOR ASSEMBLY G GREEN	025	860		
V3010-15H	WS1.5 / WS2 INJECTOR ASSEMBLY H ORANGE	025	860		
V3010-15I	WS1.5 / WS2 INJECTOR ASSEMBLY I GRAY PVC	025	860		
V3010-15Z	WS1.5 / WS2 INJECTOR ASSEMBLY Z PLUG	025	860		

Ref	Injector Color	Typical Tank Diameter/ Down Flow Brine	Typical Tank Diameter/ Up Flow Brine
V3010-15B	Violet	12"	14"
V3010-15C	Red	13"	16"
V3010-15D	White	14"	18"
V3010-15E	Blue	16"	21"
V3010-15F	Yellow	18"	24"
V3010-15G	Green	21"	30"
V3010-15H	Orange	24"	n/a
V3010-15I	Gray PVC	30"	n/a
V3010-15Z		n/a	

Note: Injector Recommendations - Above injectors are for downflow brining units,

- For upflow brining units the injector should be "down-sized" two tank sizes.
- Example: A 24" downflow softener would use a "H" injector, where as a 24" upflow softener would use an "F" injector



INJECTORS FOR VARIOUS TANK SIZES: WS2/2H/3 (CAN BE ORDERED SEPARATELY)

Ref	Description	Fam.	Subfam.	Disp. Stock	
V3010-2A	WS2/2H/3 INJECTOR ASSEMBLY A	025	860		
V3010-2B	WS2/2H/3 INJECTOR ASSEMBLY B	025	860		
V3010-2C	WS2/2H/3 INJECTOR ASSEMBLY C	025	860		
V3010-2D	WS2/2H/3 INJECTOR ASSEMBLY D	025	860		
V3010-2E	WS2/2H/3 INJECTOR ASSEMBLY E	025	860		
V3010-2F	WS2/2H/3 INJECTOR ASSEMBLY F	025	860		
V3010-2G	WS2/2H/3 INJECTOR ASSEMBLY G	025	860		
V3010-2H	WS2H/3 INJECTOR ASSEMBLY H	025	860		

Ref	Injector	Typical Tank Diameter/ Down Flow Brine	Typical Tank Diameter/ Up Flow Brine
V3010-2A	Stamped A	18"	24"
V3010-2B	Stamped B	21"	30"
V3010-2C	Stamped C	24"	36"
V3010-2D	Stamped D	30"	42"
V3010-2E	Stamped E	36"	48"
V3010-2F	Stamped F	42"	n/a
V3010-2G	Stamped G	48"	n/a
V3010-2H	Gray PVC	63"	n/a

Note: Injector Recommendations - Above injectors are for downflow brining units,

- For upflow brining units the injector should be "down-sized" two tank sizes.
- Example: A 24" downflow softener would use a "C" injector, where as a 24" upflow softener would use an "A" injector



INJECTORS FOR VARIOUS TANK SIZES: WS2 (CAN BE ORDERED SEPARATELY)

Ref	Description	Fam.	Subfam.	Disp. Stock	
V3010-2R-15B	WS2/WS2H INJECTOR R MODIFIED ASSEMBLY W/3010-15B (12	025	860		
V3010-2S-15C	WS2/WS2H INJECTOR S MODIFIED ASSEMBLY W/3010-15C (13	025	860		
V3010-2T-15D	WS2/WS2H INJECTOR T MODIFIED ASSEMBLY W/3010-15D (14	025	860		
V3010-2U-15E	WS2/WS2H INJECTOR U MODIFIED ASSEMBLY W/3010-15E (16	025	860		
V3010-2A	WS2/2H/3 INJECTOR ASSEMBLY A	025	860		
V3010-2B	WS2/2H/3 INJECTOR ASSEMBLY B	025	860		
V3010-2C	WS2/2H/3 INJECTOR ASSEMBLY C	025	860		
V3010-2D	WS2/2H/3 INJECTOR ASSEMBLY D	025	860		
V3010-2E	WS2/2H/3 INJECTOR ASSEMBLY E	025	860		
V3010-2F	WS2/2H/3 INJECTOR ASSEMBLY F	025	860		
V3010-2G	WS2/2H/3 INJECTOR ASSEMBLY G	025	860		

Ref	Typical Tank Diameter/ Down Flow Brine	Typical Tank Diameter/ Up Flow Brine
V3010-2R-15B	12"	14"
V3010-2S-15C	13"	16"
V3010-2T-15D	14"	18"
V3010-2U-15E	16"	21"
V3010-2A	18"	24"
V3010-2B	21"	30"
V3010-2C	24"	36"
V3010-2D	30"	42"
V3010-2E	36"	48"
V3010-2F	42"	n/a
V3010-2G	48"	n/a

Note: Injector Recommendations - Above injectors are for downflow brining units,

- For upflow brining units the injector should be "down-sized" two tank sizes.
- Example: A 24" downflow softener would use a "C" injector, where as a 24" upflow softener would use an "A" injector

EUROTROL®

WATER TREATMENT COMPONENTS



MWG,
STRUCTURAL
pressure vessels
and accessories

INDEX



MWG Residential Pressure Vessels with Base



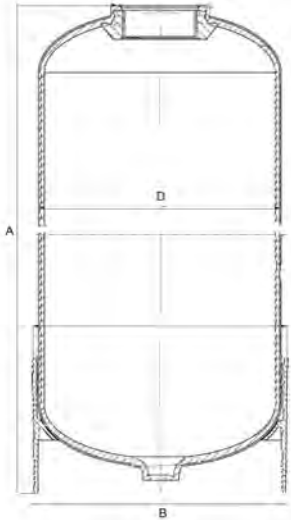
- Made in China;
- Composite pressure vessels PE liner reinforced with fiberglass and epoxy resin; For industrial and potable water treatment systems;
- Max operating pressure 10 bar; max operating temperature 50°C;
- Top connection threaded 2 ½" - 8NPSM or 4"- 8UN; Cycle test 250.000 times from 0,7 to 10 bar;
- Burst test to 4 times max operating pressure;
- Blue colour;
- Warranty 10 years.

Ref	Description	Fam.	Subfam.	Disp. Stock	
BMWG05013BB	MWG PRESSURE VESSEL 5X13 2.5" BLUE	043	412	•	
BMWG06013BB	MWG PRESSURE VESSEL 6X13 2.5" BLU	043	412	•	
BMWG06018BB	MWG PRESSURE VESSEL 6X18 2.5" BLU	043	412	•	
BMWG06035BB	MWG PRESSURE VESSEL 6X35 2.5" BLU	043	412	•	
BMWG07013BB	MWG PRESSURE VESSEL 7X13 2.5" BLU	043	412	•	
BMWG07017BB	MWG PRESSURE VESSEL 7X17 2.5" BLU	043	412	•	
BMWG07024BB	MWG PRESSURE VESSEL 7X24 2.5" BLU	043	412	•	
BMWG07030BB	MWG PRESSURE VESSEL 7X30 2.5" BLU	043	412	•	
BMWG07035BB	MWG PRESSURE VESSEL 7X35 2.5" BLU	043	412	•	
BMWG08013BB	MWG PRESSURE VESSEL 8X13 2.5" BLU	043	412	•	
BMWG08017BB	MWG PRESSURE VESSEL 8X17 2.5" BLU	043	412	•	
BMWG08024BB	MWG PRESSURE VESSEL 8X24 2.5" BLU	043	412	•	
BMWG08030BB	MWG PRESSURE VESSEL 8X30 2.5" BLU	043	412	•	
BMWG08035BB	MWG PRESSURE VESSEL 8X35 2.5" BLU	043	412	•	
BMWG08044BB	MWG PRESSURE VESSEL 8X44 2.5" BLU	043	412	•	
BMWG09017BB	MWG PRESSURE VESSEL 9X17 2.5" BLU	043	412	•	
BMWG09030BB	MWG PRESSURE VESSEL 9X30 2.5" BLU	043	412	•	
BMWG09035BB	MWG PRESSURE VESSEL 9X35 2.5" BLU	043	412	•	
BMWG09042BB	MWG PRESSURE VESSEL 9X42 2.5" BLU	043	412	•	
BMWG09048BB	MWG PRESSURE VESSEL 9X48 2.5" BLU	043	412	•	
BMWG10017BB	MWG PRESSURE VESSEL 10X17 2.5" BLU	043	412	•	
BMWG10019BB	MWG PRESSURE VESSEL 10X19 2.5" BLU	043	412	•	
BMWG10024BB	MWG PRESSURE VESSEL 10X24 2.5" BLU	043	412	•	
BMWG10030BB	MWG PRESSURE VESSEL 10X30 2.5" BLU	043	412	•	
BMWG10035BB	MWG PRESSURE VESSEL 10X35 2.5" BLU	043	412	•	
BMWG10044BB	MWG PRESSURE VESSEL 10X44 2.5" BLU	043	412	•	
BMWG10047BB	MWG PRESSURE VESSEL 10X47 2.5" BLU	043	412	•	
BMWG10054BB	MWG PRESSURE VESSEL 10X54 2.5" BLU	043	412	•	
BMWG10054GB	MWG PRESSURE VESSEL 10X54 4" BLU	043	412	•	
BMWG12048BB	MWG PRESSURE VESSEL 12X48 2.5" BLU	043	412	•	
BMWG12052BB	MWG PRESSURE VESSEL 12X52 2.5" BLU	043	412	•	
BMWG13044BB	MWG PRESSURE VESSEL 13X44 2.5" BLU	043	412	•	
BMWG13054BB	MWG PRESSURE VESSEL 13X54 2.5" BLU	043	412	•	
BMWG13054GB	MWG PRESSURE VESSEL 13X54 4" BLU	043	412	•	



MWG Residential Pressure Vessels with Base

Characteristics



Ref	Description	Volume (Liters)	External D (mm)	A (mm)	B (mm)	Connection
BMWG05013BB	MWG PRESSURE VESSEL 5X13 2.5" BLUE	3,2	130	335 ± 6	135	2½
BMWG06013BB	MWG PRESSURE VESSEL 6X13 2.5" BLU	4,9	159	335 ± 6	165	2½
BMWG06018BB	MWG PRESSURE VESSEL 6X18 2.5" BLU	7,2	159	462 ± 6	165	2½
BMWG06035BB	MWG PRESSURE VESSEL 6X35 2.5" BLU	15,0	159	896 ± 6	165	2½
BMWG07013BB	MWG PRESSURE VESSEL 7X13 2.5" BLU	6,3	180	333 ± 6	188	2½
BMWG07017BB	MWG PRESSURE VESSEL 7X17 2.5" BLU	8,6	180	434 ± 6	188	2½
BMWG07024BB	MWG PRESSURE VESSEL 7X24 2.5" BLU	13,2	180	605 ± 6	188	2½
BMWG07030BB	MWG PRESSURE VESSEL 7X30 2.5" BLU	16,4	180	768 ± 6	188	2½
BMWG07035BB	MWG PRESSURE VESSEL 7X35 2.5" BLU	20,1	180	891 ± 6	188	2½
BMWG08013BB	MWG PRESSURE VESSEL 8X13 2.5" BLU	8,5	207	338 ± 6	216	2½
BMWG08017BB	MWG PRESSURE VESSEL 8X17 2.5" BLU	10,9	207	439 ± 6	216	2½
BMWG08024BB	MWG PRESSURE VESSEL 8X24 2.5" BLU	15,9	207	627 ± 6	216	2½
BMWG08030BB	MWG PRESSURE VESSEL 8X30 2.5" BLU	20,9	207	773 ± 6	216	2½
BMWG08035BB	MWG PRESSURE VESSEL 8X35 2.5" BLU	25,0	207	898 ± 6	216	2½
BMWG08044BB	MWG PRESSURE VESSEL 8X44 2.5" BLU	32,6	207	1130 ± 6	216	2½
BMWG09017BB	MWG PRESSURE VESSEL 9X17 2.5" BLU	13,8	231	456 ± 6	240	2½
BMWG09030BB	MWG PRESSURE VESSEL 9X30 2.5" BLU	26,9	231	776 ± 6	240	2½
BMWG09035BB	MWG PRESSURE VESSEL 9X35 2.5" BLU	32,1	231	900 ± 6	240	2½
BMWG09042BB	MWG PRESSURE VESSEL 9X42 2.5" BLU	38,4	231	1076 ± 6	240	2½
BMWG09048BB	MWG PRESSURE VESSEL 9X48 2.5" BLU	44,4	231	1227 ± 6	240	2½
BMWG10017BB	MWG PRESSURE VESSEL 10X17 2.5" BLU	16,7	258	445 ± 6	266	2½
BMWG10019BB	MWG PRESSURE VESSEL 10X19 2.5" BLU	19,3	258	482 ± 6	266	2½
BMWG10024BB	MWG PRESSURE VESSEL 10X24 2.5" BLU	25,2	258	611 ± 6	266	2½
BMWG10030BB	MWG PRESSURE VESSEL 10X30 2.5" BLU	33,0	258	780 ± 6	266	2½
BMWG10035BB	MWG PRESSURE VESSEL 10X35 2.5" BLU	39,4	258	902 ± 6	266	2½
BMWG10044BB	MWG PRESSURE VESSEL 10X44 2.5" BLU	51,0	258	1132 ± 6	266	2½
BMWG10047BB	MWG PRESSURE VESSEL 10X47 2.5" BLU	54,1	258	1197 ± 6	266	2½
BMWG10054BB	MWG PRESSURE VESSEL 10X54 2.5" BLU	63,5	258	1391 ± 6	266	2½
BMWG10054GB	MWG PRESSURE VESSEL 10X54 4" BLU	63,5	258	1390 ± 6	266	4"
BMWG12048BB	MWG PRESSURE VESSEL 12X48 2.5" BLU	78,9	308	1234 ± 6	318	2½
BMWG12052BB	MWG PRESSURE VESSEL 12X52 2.5" BLU	85,9	308	1334 ± 6	318	2½
BMWG13044BB	MWG PRESSURE VESSEL 13X44 2.5" BLU	83,1	335	1118 ± 6	343	2½
BMWG13054BB	MWG PRESSURE VESSEL 13X54 2.5" BLU	104,3	335	1375 ± 6	343	2½
BMWG13054GB	MWG PRESSURE VESSEL 13X54 4" BLU	104,3	335	1375 ± 6	343	4"

Certificates	Manufacturer	Sectors
DM174-2004, ACS, KTW CE, EAC	MWG	Domestic



Structural Residential Pressure Vessels with Base

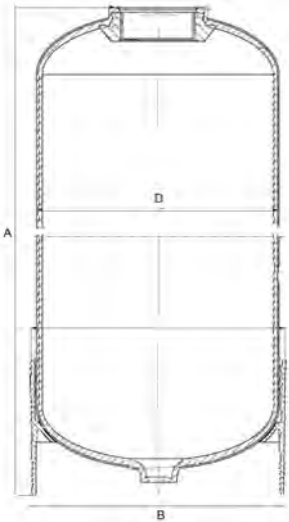


- Made in European Union (Belgium);
- Composite pressure vessels PE liner reinforced with fiberglass and epoxy resin; For industrial and potable water treatment systems;
- Max operating pressure 10 bar;
- Max operating temperature 50°C;
- Top connection threaded 2 ½" – 8NPSM or 4"– 8UN;
- Cycle test 250.000 times from 0,7 to 10 bar;
- Burst test to 4 times max operating pressure;
- Blue colour;
- Warranty 5 years.

Ref	Description	Fam.	Subfam.	Disp. Stock	
BSQ0613A3	STRUCTURAL PRESSURE VESSEL 6X13 2.5" BLU	043	432	•	
BSQ0618A3	STRUCTURAL PRESSURE VESSEL 6X18 2.5" BLU	043	432	•	
BSRT0635P3E	STRUCTURAL PRESSURE VESSEL 6X35 2.5" BLU	043	432	•	
BSQ0713A3	STRUCTURAL PRESSURE VESSEL 7X13 2.5" BLU	043	432	•	
BSQ0717A3	STRUCTURAL PRESSURE VESSEL 7X17 2.5" BLU	043	432	•	
BSRT0724A3E	STRUCTURAL PRESSURE VESSEL 7X24 2.5" BLU	043	432	•	
BSQ0730A3	STRUCTURAL PRESSURE VESSEL 7X30 2.5" BLU	043	432	•	
BSQ0735A3	STRUCTURAL PRESSURE VESSEL 7X35 2.5" BLU	043	432	•	
BSQ0817A3	STRUCTURAL PRESSURE VESSEL 8X17 2.5" BLU	043	432	•	
BSRT0824A3E	STRUCTURAL PRESSURE VESSEL 8X24 2.5" BLU	043	432	•	
BSQ0830A3	STRUCTURAL PRESSURE VESSEL 8X30 2.5" BLU	043	432	•	
BSQ0835A3	STRUCTURAL PRESSURE VESSEL 8X35 2.5" BLU	043	432	•	
BSQ0844P3	STRUCTURAL PRESSURE VESSEL 8X44 2.5" BLU	043	432	•	
BSRT0917A3E	STRUCTURAL PRESSURE VESSEL 9X17 2.5" BLU	043	432	•	
BSRT0930A3E	STRUCTURAL PRESSURE VESSEL 9X30 2.5" BLU	043	432	•	
BSQ0935A3	STRUCTURAL PRESSURE VESSEL 9X35 2.5" BLU	043	432	•	
BSRT0942A3E	STRUCTURAL PRESSURE VESSEL 9X42 2.5" BLU	043	432	•	
BSRT0948A3E	STRUCTURAL PRESSURE VESSEL 9X48 2.5" BLU	043	432	•	
BSRT1017A3E	STRUCTURAL PRESSURE VESSEL 10X17 2.5" BLU	043	432	•	
BSQ1019A3	STRUCTURAL PRESSURE VESSEL 10X19 2.5" BLU	043	432	•	
BSRT1022A3E	STRUCTURAL PRESSURE VESSEL 10X22 2.5" BLU	043	432	•	
BSRT1024A3E	STRUCTURAL PRESSURE VESSEL 10X24 2.5" BLU	043	432	•	
BSRT1030A3E	STRUCTURAL PRESSURE VESSEL 10X30 2.5" BLU	043	432	•	
BSQ1035A3	STRUCTURAL PRESSURE VESSEL 10X35 2.5" BLU	043	432	•	
BSQ1044P3	STRUCTURAL PRESSURE VESSEL 10X44 2.5" BLU	043	432	•	
BSRT1047P3E	STRUCTURAL PRESSURE VESSEL 10X47 2.5" BLU	043	432	•	
BSQ1054P3	STRUCTURAL PRESSURE VESSEL 10X54 2.5" BLU	043	432	•	
BSRT1055P3EN	STRUCTURAL PRESSURE VESSEL 10X55 4" BLU	043	432	•	
BSQ1248P3	STRUCTURAL PRESSURE VESSEL 12X48 2.5" BLU	043	432	•	
BSQ1252P3	STRUCTURAL PRESSURE VESSEL 12X52 2.5" BLU	043	432	•	
BSRT1344A3E	STRUCTURAL PRESSURE VESSEL 13X44 2.5" BLU	043	432	•	
BSQ1354A3	STRUCTURAL PRESSURE VESSEL 13X54 2.5" BLU	043	432	•	
BSRT1355A3EN	STRUCTURAL PRESSURE VESSEL 13X55 4" BLU	043	432	•	



Structural Residential Pressure Vessels with Base



Ref	Volume (liters)	External D (mm)	A (mm)	B (mm)	Connection
BSQ0613A3	4,6	159	342 ± 2	170	2½
BSQ0618A3	6,9	159	475 ± 2	170	2½
BSRT0635P3E	14,4	159	907 ± 2	170	2½
BSQ0713A3	6,3	184	341 ± 2	195	2½
BSQ0717A3	8,8	184	446 ± 2	195	2½
BSRT0724A3E	13,5	184	613 ± 2	195	2½
BSQ0730A3	16,8	184	778 ± 2	195	2½
BSQ0735A3	20,4	184	901 ± 2	195	2½
BSQ0817A3	11,0	208	435 ± 2	220	2½
BSRT0824A3E	16,6	208	612 ± 4	220	2½
BSQ0830A3	22,0	208	783 ± 2	220	2½
BSQ0835A3	25,7	208	902 ± 2	220	2½
BSQ0844P3	33,6	208	1124 ± 2	220	2½
BSRT0917A3E	13,7	233	431 ± 4	240	2½
BSRT0930A3E	26,6	233	766 ± 5	240	2½
BSQ0935A3	31,3	233	903 ± 2	240	2½
BSRT0942A3E	38,2	233	1074 ± 5	240	2½
BSRT0948A3E	44,6	233	1228 ± 5	240	2½
BSRT1017A3E	16,8	257	436 ± 4	269	2½
BSQ1019A3	19,1	257	502 ± 2	269	2½
BSRT1022A3E	22,9	257	559 ± 4	269	2½
BSRT1024A3E	25,1	257	605 ± 4	269	2½
BSRT1030A3E	32,4	257	766 ± 4	269	2½
BSQ1035A3	38,9	257	903 ± 2	269	2½
BSQ1044P3	48	257	1122 ± 2	269	2½
BSRT1047P3E	54	257	1188 ± 5	269	2½
BSQ1054P3	61	257	1385 ± 2	269	2½
BSRT1055P3EN	62	257	1382 ± 5	269	4"
BSQ1248P3	76	304	1232 ± 3	315	2½
BSQ1252P3	84	304	1335 ± 3	315	2½
BSRT1344A3E	85	334	1145 ± 6	330	2½
BSQ1354A3	103	334	1371 ± 3	330	2½
BSRT1355A3EN	103	334	1371 ± 3	330	4"

Certificates	Manufacturer	Sectors
DM174-2004, ACS, KTW, WRAS, CE, EAC	Pentair	Domestic



MWG Residential Pressure Vessels without Base

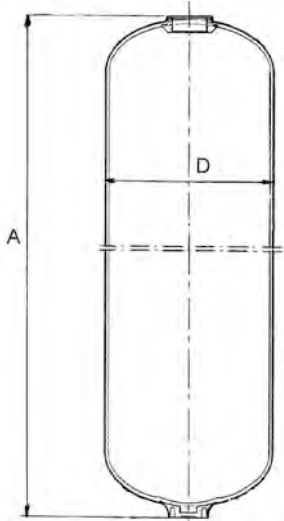


- Made in China;
- Composite pressure vessels PE liner reinforced with fiberglass and epoxy resin;
- For industrial and potable water treatment systems;
- Max operating temperature 50°C;
- Top connection threaded 2 ½" - 8NPSM or 4"- 8UN;
- Cycle test 250.000 times from 0,7 to 10 bar;
- Burst test to 4 times max operating pressure;
- Blue colour;
- Warranty 10 years.

Ref	Description	Fam.	Subfam.	Disp. Stock	
BMWG05013AB	MWG PRESSURE VESSEL 5X13 2.5" NO BASE BLU	043	410	•	
BMWG06013AB	MWG PRESSURE VESSEL 6X13 2.5" NO BASE BLU	043	410	•	
BMWG07013AB	MWG PRESSURE VESSEL 7X13 2.5" NO BASE BLU	043	410	•	
BMWG07017AB	MWG PRESSURE VESSEL 7X17 2.5" NO BASE BLU	043	410	•	
BMWG07019AB	MWG PRESSURE VESSEL 7X19 2.5" NO BASE BLU	043	410	•	
BMWG07024AB	MWG PRESSURE VESSEL 7X24 2.5" NO BASE BLU	043	410	•	
BMWG07030AB	MWG PRESSURE VESSEL 7X30 2.5" NO BASE BLU	043	410	•	
BMWG07035AB	MWG PRESSURE VESSEL 7X35 2.5" NO BASE BLU	043	410	•	
BMWG08013AB	MWG PRESSURE VESSEL 8X13 2.5" NO BASE BLU	043	410	•	
BMWG08017AB	MWG PRESSURE VESSEL 8X17 2.5" NO BASE BLU	043	410	•	
BMWG08024AB	MWG PRESSURE VESSEL 8X24 2.5" NO BASE BLU	043	410	•	
BMWG08030AB	MWG PRESSURE VESSEL 8X30 2.5" NO BASE BLU	043	410	•	
BMWG08035AB	MWG PRESSURE VESSEL 8X35 2.5" NO BASE BLU	043	410	•	
BMWG09017AB	MWG PRESSURE VESSEL 9X17 2.5" NO BASE BLU	043	410	•	
BMWG09024AB	MWG PRESSURE VESSEL 9X24 2.5" NO BASE BLU	043	410	•	
BMWG09030AB	MWG PRESSURE VESSEL 9X30 2.5" NO BASE BLU	043	410	•	
BMWG09035AB	MWG PRESSURE VESSEL 9X35 2.5" NO BASE BLU	043	410	•	
BMWG10017AB	MWG PRESSURE VESSEL 10X17 2.5" NO BASE BLU	043	410	•	
BMWG10019AB	MWG PRESSURE VESSEL 10X19 2.5" NO BASE BLU	043	410	•	
BMWG10024AB	MWG PRESSURE VESSEL 10X24 2.5" NO BASE BLU	043	410	•	
BMWG10030AB	MWG PRESSURE VESSEL 10X30 2.5" NO BASE BLU	043	410	•	
BMWG10035AB	MWG PRESSURE VESSEL 10X35 2.5" NO BASE BLU	043	410	•	



MWG Residential Pressure Vessels without Base



Ref	Volume (liters)	External D (mm)	A (mm)	Connection (inch)
BMWG05013AB	3,1	129	329 ± 3	2½
BMWG06013AB	4,7	159,5	329 ± 3	2½
BMWG07013AB	5,9	180	329 ± 3	2½
BMWG07017AB	8,2	180	431 ± 3	2½
BMWG07019AB	9,4	180	483 ± 3	2½
BMWG07024AB	12,4	180	611 ± 3	2½
BMWG07030AB	16,01	180	771 ± 3	2½
BMWG07035AB	18,09	180	891 ± 3	2½
BMWG08013AB	7,6	207	329 ± 3	2½
BMWG08017AB	10,07	207	431 ± 3	2½
BMWG08024AB	16,03	207	611 ± 3	2½
BMWG08030AB	21,2	207	771 ± 3	2½
BMWG08035AB	25,0	207	891 ± 3	2½
BMWG09017AB	13,3	230	431 ± 3	2½
BMWG09024AB	20,3	230	611 ± 3	2½
BMWG09030AB	26,5	230	771 ± 3	2½
BMWG09035AB	31,1	230	891 ± 3	2½
BMWG10017AB	16,4	257,5	431 ± 3	2½
BMWG10019AB	19,0	257,5	483 ± 3	2½
BMWG10024AB	25,2	257,5	611 ± 3	2½
BMWG10030AB	33,0	257,5	771 ± 3	2½
BMWG10035AB	38,8	257,5	891 ± 3	2½

Certificates	Manufacturer	Sectors
DM174-2004 ACS KTW CE, EAC	MWG	Domestic



Structural Dome-Hole Residential Pressure Vessels

- Made in U.S.A.;
- Composite pressure vessels PE liner reinforced with fiberglass and epoxy resin;
- 1 1/2" opening on the dome top of the tank with Noryl plug;
- For industrial and potable water treatment systems;
- European 2014/68/EU Directive compliant for pressure equipment (PED);
- Certification for contact with drinking water following EC directives and KTW (for Germany) recommendations;
- Max operating pressure 10 bar;
- Max operating temperature 50°C;
- Top connection threaded 2 1/2" – 8NPSM;
- Cycle test 250.000 times from 0,7 to 10 bar;
- Burst test to 4 times max operating pressure;
- Natural colour;
- Warranty 5 years.

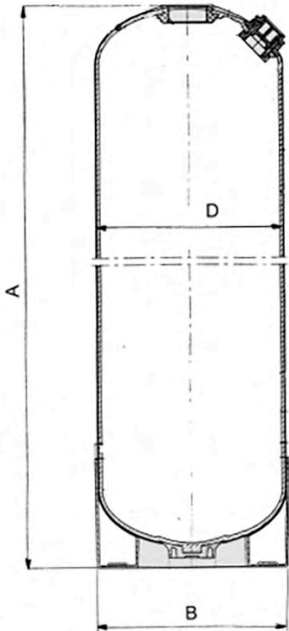


Ref	Description	Fam.	Sotto Fam.	Disp. Stock	
B10044QN	PRESSURE VESSEL 10X44 DOME HOLE 2.5" NATURAL	043	450		
B10054QN	PRESSURE VESSEL 10X54 DOME HOLE 2.5" NATURAL	043	450		
B12052QN	PRESSURE VESSEL 12X52 DOME HOLE 2.5" NATURAL	043	450		
B13054QN	PRESSURE VESSEL 13X54 DOME HOLE 2.5" NATURAL	043	450		

Ref	Volume (liters)	D External (mm)	A (mm)	B (mm)	Connection (inch)
B10044QN	48	257	1122	269	2 1/2
B10054QN	61	257	1378	269	2 1/2
B12052QN	84	306	1346	312	2 1/2
B13054QN	103	364	1370	375	2 1/2

Ref	Box: LxPxH.	Box: Qnt.	Box: Peso.	Pallet: LxPxH.	Pallet: Qnt.	Pallet: Peso.
B10044QN						
B10054QN						
B12052QN						
B13054QN						

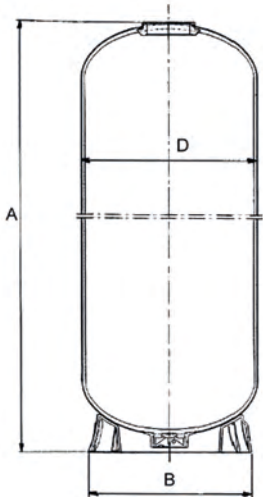
Certificates	Manufacturer	Sectors
CE	Pentair	Commercial, Industrial





MWG Industrial Pressure Vessels With Threaded Top Opening

- Made in China; Composite pressure vessels PE liner reinforced with fiberglass and epoxy resin;
- For industrial and potable water treatment systems;
- European 2014/68/EU Directive compliant for pressure equipment (PED);
- Max operating pressure 10 bar; Max operating temperature 50°C; Burst test to 4 times max operating pressure; Warranty 5 Yrs.



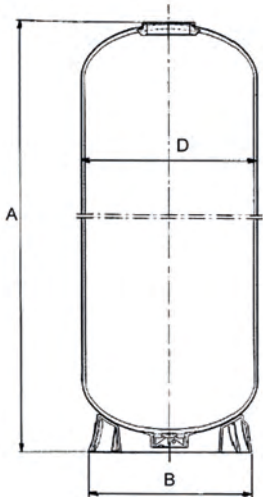
Ref	Description	Fam.	Subfam.	Disp. Stock	
BMWG14052GB	MWG PRESSURE VESSEL 14X52 4" BLU WITH ADAPTER 2.5"	044	420	•	
BMWG14065GB	MWG PRESSURE VESSEL 14X65 4" BLU WITH ADAPTER 2.5"	044	420	•	
BMWG16052GB	MWG PRESSURE VESSEL 16X52 4" BLU WITH ADAPTER 2.5"	044	420	•	
BMWG16065GB	MWG PRESSURE VESSEL 16X65 4" BLU WITH ADAPTER 2.5"	044	420	•	
BMWG18053GB	MWG PRESSURE VESSEL 18X53 4" BLU	044	420	•	
BMWG18065GB	MWG PRESSURE VESSEL 18X65 4" BLU	044	420	•	
BMWG21036GB	MWG PRESSURE VESSEL 21X36 4" BLU	044	420	•	
BMWG21053GB	MWG PRESSURE VESSEL 21X53 4" BLU	044	420	•	
BMWG21062GB	MWG PRESSURE VESSEL 21X62 4" BLU	044	420	•	
BMWG24065GB	MWG PRESSURE VESSEL 24X65 4" BLU	044	420	•	
BMWG24072GB	MWG PRESSURE VESSEL 24X72 4" BLU	044	420	•	
BMWG30072GB	MWG PRESSURE VESSEL 30X72 4" BLU	044	420	•	
BMWG36072GB	MWG PRESSURE VESSEL 36X72 4" BLU	044	420	•	

Ref	Volume (Liters)	External D (mm)	A (mm)	B (mm)	Connection (Inch)
BMWG14052GB	115,4	360	1325 ± 6	369	4"
BMWG14065GB	147,0	360	1655 ± 6	369	4"
BMWG16052GB	150,0	410	1316 ± 6	420	4"
BMWG16065GB	191,3	410	1648 ± 6	420	4"
BMWG18053GB	193,6	464	1366 ± 6	451	4"
BMWG18065GB	242,3	464	1670 ± 6	451	4"
BMWG21036GB	168,2	541	958 ± 10	532	4"
BMWG21053GB	262,4	541	1390 ± 10	532	4"
BMWG21062GB	312,7	541	1620 ± 10	532	4"
BMWG24065GB	426,5	615	1730 ± 10	612	4"
BMWG24072GB	477,5	615	1910 ± 10	612	4"
BMWG30072GB	725,9	767	1890 ± 10	752	4"
BMWG36072GB	1030	919	1965 ± 10	910	4"

Certificates	Manufacturer	Sectors
DM174-2004 ACS KTW CE, EAC	MWG	Commercial, Industrial



Structural Industrial Pressure Vessels With Threaded Top Opening



- Made in European Union (Belgium); composite pressure vessels PE liner reinforced with fiberglass and epoxy resin; for industrial and potable water treatment systems;
- European 2014/68/EU Directive compliant for pressure equipment (PED);
- Certification for contact with drinking water following EC directives and KTW (for Germany) recommendations;
- In compliance with the sanitary certification ACS (France);
- Max operating pressure 10 bar; Max operating temperature 50°C;
- Threaded top connection 4"- 8UN;
- Cycle test 250.000 times from 0,7 to 10 bar; burst test to 4 times max operating pressure; Warranty 5 years.

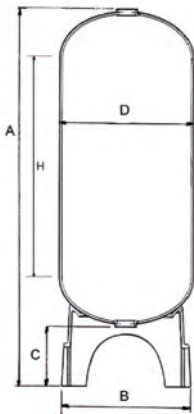
Ref	Description	Fam.	Subfam.	Disp. Stock	
BSRT1452A3REN	STRUCTURAL PRESSURE VESSEL 14X52 4" BLU WITH ADAPTER 2.5"	044	440	•	
BSRT1465A3REN	STRUCTURAL PRESSURE VESSEL 14X65 4" BLU WITH ADAPTER 2.5"	044	440	•	
BSRT1649A3REN	STRUCTURAL PRESSURE VESSEL 16X49 4" BLU WITH ADAPTER 2.5"	044	440	•	
BSRT1665A3REN	STRUCTURAL PRESSURE VESSEL 16X65 4" BLU WITH ADAPTER 2.5"	044	440	•	
BSRT1856A3E	STRUCTURAL PRESSURE VESSEL 18X56 4" BLU	044	440	•	
BSRT1865A3EN	STRUCTURAL PRESSURE VESSEL 18X65 4" BLU	044	440	•	
BSRT2153A3E	STRUCTURAL PRESSURE VESSEL 21X53 4" BLU	044	440	•	
BSRT2160A3E	STRUCTURAL PRESSURE VESSEL 21X60 4" BLU	044	440	•	
BSRT2469A3E	STRUCTURAL PRESSURE VESSEL 24X69 4" BLU	044	440	•	
BSRT3072A3E	STRUCTURAL PRESSURE VESSEL 30X72 4" BLU	044	440	•	
BSRT3672A3E	STRUCTURAL PRESSURE VESSEL 36X72 4" BLU	044	440	•	

Ref	Volume (liters)	External D (mm)	A (mm)	B (mm)	Connection (Inch)
BSRT1452A3REN	122	369	1360 ± 20	330	4"
BSRT1465A3REN	140	369	1645 ± 20	380	4"
BSRT1649A3REN	125	406	1269 ± 20	420	4"
BSRT1665A3REN	170	406	1632 ± 20	420	4"
BSRT1856A3E	211	469	1432 ± 20	510	4"
BSRT1865A3EN	250	469	1726 ± 20	510	4"
BSRT2153A3E	277	552	1434 ± 20	510	4"
BSRT2160A3E	310	552	1625 ± 20	510	4"
BSRT2469A3E	440	610	1870 ± 20	510	4"
BSRT3072A3E	710	770	2030 ± 30	730	4"
BSRT3672A3E	1020	930	2130 ± 30	730	4"

Certificates	Manufacturer	Sectors
DM174-2004 ACS KTW WRAS CE, EAC	Pentair	Commercial, Industrial



MWG Industrial Pressure Vessels With Top&Bottom Threaded Openings



- Made in China;
- Composite pressure vessels PE liner reinforced with fiberglass and epoxy resin;
- For industrial and potable water treatment systems; European 2014/68/EU Directive compliant for pressure equipment (PED);
- Certification for contact with drinking water following EC directives and KTW (for Germany) recommendations;
- In compliance with the sanitary certification ACS (France);
- Max operating pressure 10 bar;
- Max operating temperature 50°C;
- Top and bottom threaded connection 4" - 8UN; Cycle test 250.000 times from 0,7 to 10 bar;
- Burst test to 4 times max operating pressure;
- Blue colour;
- Warranty 5 years.

Ref	Description	Fam.	Subfam.	Disp. Stock	
BMWG14065HB	MWG PRESSURE VESSEL 14X65 4" + 4" BLU	044	420	•	
BMWG16065HB	MWG PRESSURE VESSEL 16X65 4" + 4" BLU	044	420	•	
BMWG18065HB	MWG PRESSURE VESSEL 18X65 4" + 4" BLU	044	420	•	
BMWG21062HB	MWG PRESSURE VESSEL 21X62 4" + 4" BLU	044	420	•	
BMWG24065HB	MWG PRESSURE VESSEL 24X65 4" + 4" BLU	044	420	•	
BMWG24072HB	MWG PRESSURE VESSEL 24X72 4" + 4" BLU	044	420	•	
BMWG30072HB	MWG PRESSURE VESSEL 30X72 4" + 4" BLU	044	420	•	
BMWG36072HB	MWG PRESSURE VESSEL 36X72 4" + 4" BLU	044	420	•	

Ref	Volume (Liters)	External D (mm)	A (mm)	B (mm)	C (mm)	H (mm)	Connection (Inch)
BMWG14065HB	147,0	360	1856 ± 6	369	230	1386	4"
BMWG16065HB	191,3	410	188 ± 6	430	250	1365	4"
BMWG18065HB	242,3	464	1950 ± 01	480	320	1330	4"
BMWG21062HB	312,7	541	1902 ± 01	555	330	1220	4"
BMWG24065HB	426,5	615	1916 ± 01	610	246	1220	4"
BMWG24072HB	477,5	615	2095 ± 01	610	240	1400	4"
BMWG30072HB	726	750	2075 ± 01	762	235	1270	4"
BMWG36072HB	1030,2	922	2190 ± 01	930	350	1170	4"

Certificates	Manufacturer	Sectors
DM174-2004 ACS KTW CE, EAC	MWG	Commercial, Industrial



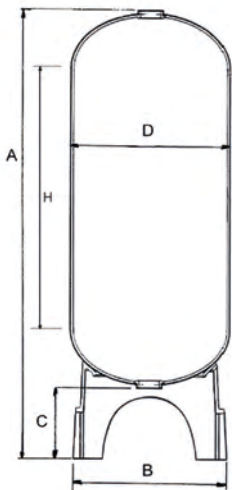
Structural Industrial Pressure Vessels With Top&Bottom Threaded Openings



- Made in European Union (Belgium);
- Composite pressure vessels PE liner reinforced with fiberglass and epoxy resin;
- For industrial and potable water treatment systems;
- European 2014/68/EU Directive compliant for pressure equipment (PED);
- Certification for contact with drinking water following EC directives and KTW (for Germany) recommendations;
- In compliance with the sanitary certification ACS (France);
- Max operating pressure 10 bar;
- Max operating temperature 50°C;
- Top and bottom threaded connection 4"- 8UN; Cycle test 250.000 times from 0,7 to 10 bar;
- Burst test to 4 times max operating pressure;
- Blue colour;
- Warranty 5 years.

Ref	Description	Fam.	Subfam.	Disp. Stock	
BSRT1465F7E	STRUCTURAL PRESSURE VESSEL 14X65 4" + 4" BLU	044	440	•	
BSRT1665F7E	STRUCTURAL PRESSURE VESSEL 16X65 4" + 4" BLU	044	440	•	
BSRT1865F7E	STRUCTURAL PRESSURE VESSEL 18X65 4" + 4" BLU	044	440	•	
BSRT2160F7E	STRUCTURAL PRESSURE VESSEL 21X60 4" + 4" BLU	044	440	•	
BSRT2469F7E	STRUCTURAL PRESSURE VESSEL 24X69 4" + 4" BLU	044	440	•	
BSRT3072F7E	STRUCTURAL PRESSURE VESSEL 30X72 4" + 4" BLU	044	440	•	
BSRT3672F7E	STRUCTURAL PRESSURE VESSEL 36X72 4" + 4" BLU	044	440	•	

Ref	Volume (liters)	External D (mm)	A (mm)	B (mm)	C (mm)	H (mm)	Connection (Inch)
BSRT1465F7E	140	369	2031 ± 20	488	381	1378	4"
BSRT1665F7E	170	406	2031 ± 20	497	384	1371	4"
BSRT1865F7E	250	469	2080 ± 20	554	404	1350	4"
BSRT2160F7E	310	552	1923 ± 20	554	389	1155	4"
BSRT2469F7E	440	610	2169 ± 20	620	422	1327	4"
BSRT3072F7E	710	770	2248 ± 30	816	413	1313	4"
BSRT3672F7E	1020	927	2305 ± 30	1001	408	1266	4"



Certificates	Manufacturer	Sectors
DM174-2004 ACS KTW WRAS CE, EAC	Pentair	Commercial, Industrial



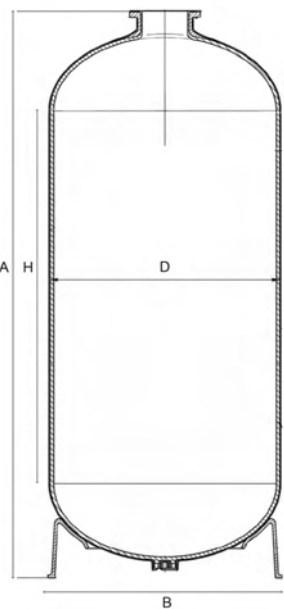
Structural Industrial Pressure Vessels With Flanged Top Opening



- Made in European Union (Belgium);
- Composite pressure vessels PE liner reinforced with fiberglass and epoxy resin;
- For industrial and potable water treatment systems;
- Max operating pressure 10 bar;
- Max operating temperature 65°C;
- 6" top connection;
- Cycle test 250.000 times from 0,7 to 10 bar;
- Burst test to 4 times max operating pressure;
- Blue colour;
- Warranty 5 years.

Ref	Description	Fam.	Subfam.	Disp. Stock	
BSRT1868A3E	STRUCTURAL PRESSURE VESSEL 18X68 6" BLU	044	442	•	
BSRT2166A3E	STRUCTURAL PRESSURE VESSEL 21X66 6" BLU	044	442	•	
BSRT2475A3E	STRUCTURAL PRESSURE VESSEL 24X75 6" BLU	044	442	•	
BSRT3078A3E	STRUCTURAL PRESSURE VESSEL 30X78 6" BLU	044	442	•	
BSRT3678A3E	STRUCTURAL PRESSURE VESSEL 36X78 6" BLU	044	442	•	

Ref	Volume (Liters)	External D (mm)	A (mm)	B (mm)	H (mm)	Connection (Inch)
BSRT1868A3E	250	469	1777 ± 20	510	1344	6"
BSRT2166A3E	310	552	1673 ± 20	510	1159	6"
BSRT2475A3E	450	610	1908 ± 20	510	1320	6"
BSRT3078A3E	710	770	2058 ± 30	768	1282	6"
BSRT3678A3E	1020	927	2155 ± 30	768	1235	6"



Certificates	Manufacturer	Sectors
DM174-2004 ACS KTW WRAS CE, EAC	Pentair	Industrial

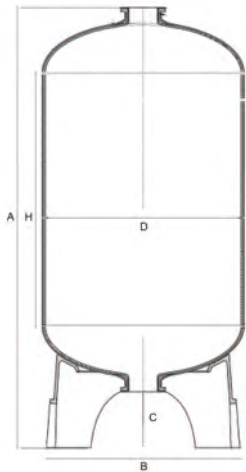


MWG Industrial Pressure Vessels With Flanged Top&Bottom Openings



- Made in China;
- Composite pressure vessels PE liner reinforced with fiberglass and epoxy resin;
- For industrial and potable water treatment systems;
- Max operating pressure 10 bar;
- Max operating temperature 65°C;
- Top and bottom 6" flange connection;
- Cycle test 250.000 times from 0,7 to 10 bar;
- Burst test to 4 times max operating pressure; Blue colour;
- Warranty 5 years.

Ref	Description	Fam.	Subfam.	Disp. Stock	
BMWG30072MB	MWG PRESSURE VESSEL 30X72 6" + 6" BLU	044	422	•	
BMWG36072MB	MWG PRESSURE VESSEL 36X72 6" + 6" BLU	044	422	•	
BMWG42063MB	MWG PRESSURE VESSEL 42X63 6"+6" BLU	043	422	•	
BMWG42072MB	MWG PRESSURE VESSEL 42X72 6" + 6" BLU	044	422	•	
BMWG48072MB	MWG PRESSURE VESSEL 48X72 6" + 6" BLU	044	422	•	
BMWG63067MB	MWG PRESSURE VESSEL 63X67 6" + 6" BLU	044	422	•	
BMWG63086MB	MWG PRESSURE VESSEL 63X86 6" + 6" BLU	044	422	•	

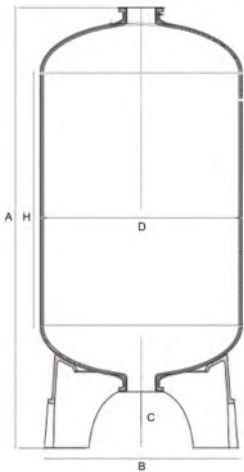


Ref	Volume (litres)	External D (mm)	A (mm)	B (mm)	C (mm)	H (mm)	Connection (inch)
BMWG30072MB	736	772	2245 ± 25	815	265	1260	6"
BMWG36072MB	1045	925	2270 ± 25	920	285	1195	6"
BMWG42063MB	1235	1085	2055 ± 25	1070	270	955	6"
BMWG42072MB	1437	1085	2290 ± 25	1070	275	1185	6"
BMWG48072MB	1784	1218	2275 ± 25	1230	260	1110	6"
BMWG63067MB	2630	1608	2050 ± 25	1620	260	660	6"
BMWG63086MB	3425	1608	2460 ± 25	1620	260	1100	6"

Certificates	Manufacturer	Sectors
DM174-2004 ACS KTW CE, EAC	MWG	Industrial



Structural Industrial Pressure Vessels With Flanged Top&Bottom Openings



- Made in European Union (Belgium);
- Composite pressure vessels PE liner reinforced with fiberglass and epoxy resin;
- For industrial and potable water treatment systems;
- Max operating pressure 10 bar;
- Max operating temperature 65°C;
- Top and bottom 6" flange connection;
- Cycle test 250.000 times from 0,7 to 10 bar;
- Burst test to 4 times max operating pressure;
- Blue colour;
- Warranty 5 years.

Ref	Description	Fam.	Subfam.	Disp. Stock	
BSC1868F7	STRUCTURAL PRESSURE VESSEL 18X68 6" + 6" BLU	044	442	•	
BSC2166F7	STRUCTURAL PRESSURE VESSEL 21X66 6" + 6" BLU	044	442	•	
BSC2475F7	STRUCTURAL PRESSURE VESSEL 24X75 6" + 6" BLU	044	442	•	
BSC3078F7	STRUCTURAL PRESSURE VESSEL 30X78 6" + 6" BLU	044	442	•	
BSC3678F7	STRUCTURAL PRESSURE VESSEL 36X78 6" + 6" BLU	044	442	•	
BSRT4264F7E	STRUCTURAL PRESSURE VESSEL 42X64 6" + 6" BLU	044	442	•	
BSC4278F7	STRUCTURAL PRESSURE VESSEL 42X78 6" + 6" BLU	044	442	•	
BSC4882F7	STRUCTURAL PRESSURE VESSEL 48X82 6" + 6" BLU	044	442	•	
BSC55104F7	STRUCTURAL PRESSURE VESSEL 55X104 6" + 6" BLU	044	442		
BSC55120F7	STRUCTURAL PRESSURE VESSEL 55X120 6" + 6" BLU	044	442		
BSC55130F7	STRUCTURAL PRESSURE VESSEL 55X130 6" + 6" BLU	044	442		
BSC55140F7	STRUCTURAL PRESSURE VESSEL 55X140 6" + 6" BLU	044	442		
BSRT6367F7E	STRUCTURAL PRESSURE VESSEL 63X67 6" + 6" BLU	044	442	•	
BSRT6386F7E	STRUCTURAL PRESSURE VESSEL 63X86 6" + 6" BLU	044	442	•	
BSC63103F7	STRUCTURAL PRESSURE VESSEL 63X103 6" + 6" BLU	044	442		
BSC63113F7	STRUCTURAL PRESSURE VESSEL 63X113 6" + 6" BLU	044	442		
BSC63123F7	STRUCTURAL PRESSURE VESSEL 63X123 6" + 6" BLU	044	442		

Ref	Volume (litres)	External D (mm)	A (mm)	B (mm)	C (mm)	H (mm)	Connection (Inch)
BSC1868F7	250	469	2120 ± 20	545	340	1344	6"
BSC2166F7	310	552	2010 ± 20	545	368	1158	6"
BSC2475F7	450	610	2220 ± 20	620	354	1320	6"
BSC3078F7	710	770	2285 ± 30	778	365	1284	6"
BSC3678F7	1020	927	2330 ± 30	955	355	1272	6"
BSRT4264F7E	1047	1074	2065 ± 30	1110	440	775	6"
BSC4278F7	1360	1074	2402 ± 30	1110	395	1162	6"
BSC4882F7	1840	1226	2442 ± 30	1270	387	1075	6"
BSC55104F7	2619	1429	2661 ± 30	1370	539	1106	6"
BSC55120F7	3220	1429	3061 ± 30	1370	545	1500	6"
BSC55130F7	3602	1429	3311 ± 30	1370	545	1750	6"
BSC55140F7	3984	1429	3561 ± 30	1370	545	2000	6"
BSRT6367F7E	2484	1623	2075 ± 30	1570	355	594	6"
BSRT6386F7E	3200	1623	2475 ± 30	1570	355	996	6"
BSC63103F7	4265	1623	3250 ± 30	1570	627	1500	6"
BSC63113F7	4760	1623	3500 ± 30	1570	627	1750	6"
BSC63123F7	5255	1623	3750 ± 30	1570	627	2000	6"

Certificates	Manufacturer	Sectors
DM174-2004 ACS KTW WRAS CE, EAC	Pentair	Industrial



Pressure Vessels Accessories

Adapters



- adapter 4"- 8UN to 2 1/2" - 8NPSM;
- with O-ring.

Ref	Description	Fam.	Subfa m.	Disp. Stock	
PV300	ADAPTER 4"x2.1/2"NPSM W/O-RING	045	201	•	
PV307	PVC ADAPTER 4"-8UN X 2" BSP	045	201	•	

Ref	Description	Material	Reduction to
PV300	ADAPTER 4"x2.1/2"NPSM W/O-RING	PVC machined	2 1/2" - 8 NPSM
PV307	PVC ADAPTER 4"-8UN X 2" BSP	PVC machined	2" BSP

Tappi

- closure for 4"- 8UN tanks thread;
- with O-ring.



Ref	Description	Fam.	Subfa m.	Disp. Stock	
PV301	CLOSURE 4"-8UN W/ O-RING	045	201	•	

Ref	Description	Material
PV301	CLOSURE 4"-8UN W/ O-RING	PVC machined

6" closed flange



- Closed flange complete with bolts, nuts, washer and O-ring;
- Flange material PVC;
- Bolts material AISI 304.

Ref	Description	Fam.	Subfa m.	Disp. Stock	
PV510B	6" PVC FLANGED CLOSURE W/ O-RING AND SCREWS*	045	201	•	

6" - 4" adapter



- 6" flanged adapter 4"-8UN, complete with bolts, nuts, washer and O-ring;
- Bolts material AISI 304.

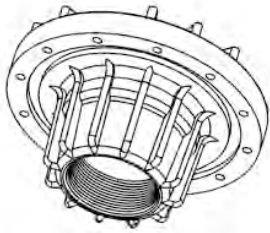
Ref	Description	Fam.	Subfa m.	Disp. Stock	
PV511B	FLANGED ADAPTER 6"-4" 8UN W/ O-RING AND SCREWS*	045	201	•	

Ref	Description	Adapter material
PV511B	FLANGED ADAPTER 6"-4" 8UN W/ O-RING AND SCREWS*	PVC



Pressure Vessels Accessories

6" - 3" - 3" adapter



- 6" flanged x 3" x 3" BSP threaded adapter complete with bolts, nuts, washer and O-ring.;
- Flange material PPO;
- Bolts material AISI 304.

Ref	Description	Fam.	Subfam.	Disp. Stock	
PV509	FLANGED ADAPTER 6" - 3" - 3" BSPP W/ O-RING AND SCREWS	045	201		

Certificates	Manufacturer	Sectors
		Industrial

Aeration valve & vacuum breaker



- Aeration valve and vacuum breaker in PP;
- Connection 1 1/2", drain 1/2";
- Max pressure 10 bar;
- Max temperature 65°C.

Ref	Description	Fam.	Subfam.	Disp. Stock	
PV308	AERATION VALVE AND VACUUM BREAKER 1"1/2	045	201	•	
PV308B	MWG AERATION VALVE AND VACUUM BREAKER 1"	045	201	•	

Cylindrical diffusers

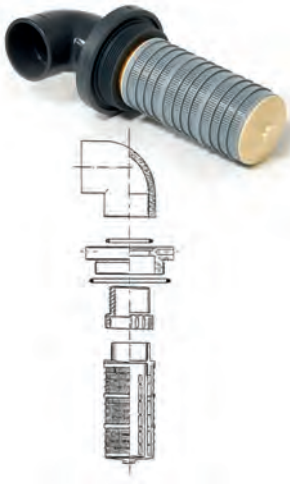


- Cylindrical diffuser for vessels with 4"- 8UN, for upper or lower installation;
- Outlet connection to glue D.63;
- 0,2 mm slots or 0,5 mm;
- Materials: adapter PVC, diffuser PP;
- Flow 20 m3/h at Δp 0,2 bar;
- A. union D63 (REF. PV329);
- B. adapter 4" with gasket (REF. PV332);
- C. reduction 2" M/F (REF. PV335);
- D. diffuser diameter 85 mm length 180 mm.(REF. PV340 0,2 mm slots - REF. PV342 0,5 mm slots).

Ref	Description	Fam.	Subfam.	Disp. Stock	
PV351	TOP/BOTTOM CYLINDRICAL DISTRIBUTOR 4"-8UN D.63 PIPE UNION DIFF. 0,2 mm*	045	201	•	
PV352	TOP/BOTTOM CYLINDRICAL DISTRIBUTOR 4"-8UN D.63 PIPE UNION DIFF. 0,5 mm*	045	201	•	

Ref	Description	Fessure (mm)	Ø Bommole abbinabili
PV351	TOP/BOTTOM CYLINDRICAL DISTRIBUTOR 4"-8UN D.63 PIPE UNION DIFF. 0,2 mm*	0,2	14" ÷ 36"
PV352	TOP/BOTTOM CYLINDRICAL DISTRIBUTOR 4"-8UN D.63 PIPE UNION DIFF. 0,5 mm*	0,5	14" ÷ 36"

Certificates	Manufacturer	Sectors
		Industrial



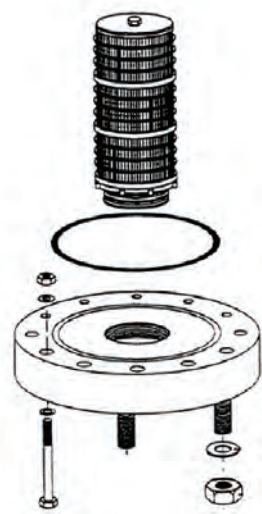
Cylindrical diffusers with elbow

- Cylindrical diffuser for vessel 4"-8UN, for upper installation;
- Outlet connection with elbow to glue D63;
- 0,2 mm slots or 0,5 mm
- Materials: adapter and elbow PVC, diffuser PP;
- Flow 20 m³/h at Δp 0,2 bar;
- Including:
 - A. elbow D63 (REF. PV331);
 - B. adapter 4" with gasket (REF. PV332);
 - C. reduction 2" M/F (REF. PV335);
 - D. diffuser con diameter 85 mm length 180 mm (REF.PV340 0,2 mm slots - REF.PV342 0,5 mm slots).

Ref	Description	Fam.	Subfam.	Disp. Stock	
PV350	TOP CYLINDRICAL DISTRIBUTOR 4"-8UN X DN63 ELBOW DIFF. 0,2mm*	045	201	•	
PV349	TOP CYLINDRICAL DISTRIBUTOR 4"-8UN X DN63 ELBOW DIFF. 0,5mm*	045	201	•	

Ref	Description	Slots (mm)	Ø Vessel
PV350	TOP CYLINDRICAL DISTRIBUTOR 4"-8UN X DN63 ELBOW DIFF. 0,2mm*	0,2	14" ÷ 36"
PV349	TOP CYLINDRICAL DISTRIBUTOR 4"-8UN X DN63 ELBOW DIFF. 0,5mm*	0,5	14" ÷ 36"

Certificates	Manufacturer	Sectors
		Industrial



Flanged upper diffusers

- Upper diffuser 6" flanged, complete with bolts, nuts, washer and O-ring;
- Flange material PVC;
- PP cylindrical diffuser 0,2 mm slots or 0,5 mm slots;
- Bolts material AISI 304.

Ref	Description	Fam.	Subfam.	Disp. Stock	
PV512	TOP CYLINDRICAL DISTRIBUTOR FLANGED 6" X DN 65 DIFF. 0,2mm*	045	201	•	
PV514	TOP CYLINDRICAL DISTRIBUTOR FLANGED 6" X DN 80 DIFF. 0,2mm*	045	201	•	
PV515	TOP CYLINDRICAL DISTRIBUTOR FLANGED 6" X DN80 DIFF. 0,2 MM - 312 MM*	045	201	•	
PV553	CYLINDRICAL DISTRIBUTOR FLANGED 6" DN 80 DIFF. 0,2 mm - 384 mm *	045	201	•	
PV518	TOP CYLINDRICAL DISTRIBUTOR FLANGED 6" DN100 DIFF 0,2 MM - 384 MM*	045	201	•	
PV513	TOP CYLINDRICAL DISTRIBUTOR FLANGED 6" X DN 65 DIFF. 0,5mm*	045	201	•	
PV516	TOP CYLINDRICAL DISTRIBUTOR FLANGED 6" DN 80 DIFF 0,5 MM - 240 MM*	045	201	•	
PV517	TOP CYLINDRICAL DISTRIBUTOR FLANGED 6" DN 80 DIFF 0,5 MM - 312 MM*	045	201	•	
PV554	CYLINDRICAL DISTRIBUTOR FLANGED 6" DN 80 DIFF. 0,5 mm - 384 mm *	045	201	•	
PV519	TOP CYLINDRICAL DISTRIBUTOR FLANGED 6" DN100 DIFF 0,5 MM - 384 MM*	045	201	•	

Ref	Ø VESSEL	Ø Cylindrical diffuser (mm)	Cylindrical diffuser Length (mm)	Slots (mm)	Flow (m³/h) Δp 0,2 bar
PV512	18" ÷ 36"	85	284	0,2	20
PV514	24" ÷ 36"	120	240	0,2	30
PV515	42" ÷ 48"	120	312	0,2	36
PV553	63"	120	384	0,2	50
PV518	63"	120	384	0,2	60
PV513	18" ÷ 36"	85	284	0,5	20
PV516	24" ÷ 36"	120	240	0,5	30
PV517	42" ÷ 48"	120	312	0,5	36
PV554	63"	120	384	0,5	50
PV519	63"	120	384	0,5	60

Certificates	Manufacturer	Sectors
		Industrial



Pressure Vessels Accessories

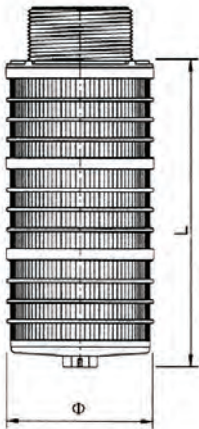
Cylindrical diffusers

- PP cylindrical diffuser with thread connection 2", 3" or 4";
- Slots 0,2 or 0,5 mm.



Ref	Description	Fam.	Subfam.	Disp. Stock	
PV340	CYLINDRICAL DIFFUSER 2" L=180-0.2 MM	045	201	•	
PV339	CYLINDRICAL DIFFUSER 2" L=284 - 0,2mm	045	201	•	
PV341	CYLINDRICAL DIFFUSER 2" L=338 - 0,2mm	045	201	•	
PV342	CYLINDRICAL DIFFUSER 2" L=180 - 0,5mm	045	201	•	
PV343	CYLINDRICAL DIFFUSER 2" L=284 - 0,5mm	045	201	•	
PV344	CYLINDRICAL DIFFUSER 2" L=338 - 0,5mm	045	201	•	
PV364	CYLINDRICAL DIFFUSER 3" L=240 - 0,2mm	045	201	•	
PV365	CYLINDRICAL DIFFUSER 3" L=312 - 0,2 MM	045	201	•	
PV366	CYLINDRICAL DIFFUSER 3" L=384 - 0,2 MM	045	201	•	
PV367	CYLINDRICAL DIFFUSER 3" L=240 - 0,5 MM	045	201	•	
PV368	CYLINDRICAL DIFFUSER 3" L=312 - 0,5 MM	045	201	•	
PV369	CYLINDRICAL DIFFUSER 3" L=384 - 0,5 MM	045	201	•	
PV393	CYLINDRICAL DIFFUSER 4" 8UN L=384 - 0,2 MM	045	201	•	
PV394	CYLINDRICAL DIFFUSER 4" 8UN L=384 - 0,5 MM	045	201	•	

Ref	Connection	Ø Diameter(mm)	Lenght(mm)	Slots (mm)
PV340	2"	85	180	0,2
PV339	2"	85	284	0,2
PV341	2"	85	338	0,2
PV342	2"	85	180	0,5
PV343	2"	85	284	0,5
PV344	2"	85	338	0,5
PV364	3"	120	240	0,2
PV365	3"	120	312	0,2
PV366	3"	120	384	0,2
PV367	3"	120	240	0,5
PV368	3"	120	312	0,5
PV369	3"	120	384	0,5
PV393	4"	120	384	0,2
PV394	4"	120	384	0,5



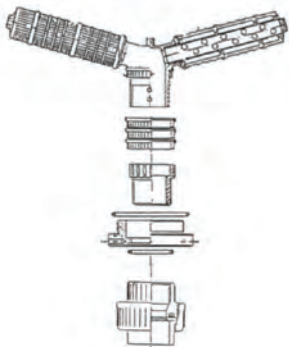
Certificates	Manufacturer	Sectors
		Industrial



Lower lateral system

- Lower lateral system for vessels with 4" - 8UN opening;
- Outlet connection to glue D63;
- Slots 0,2 or 0,5 mm;
- Materials: adapter PVC, hub and laterals PP;
- Including:
 - A. union D63 (REF. PV329);
 - B. adapter 4" with O-rings (REF. PV332);
 - C. reduction 2" M/F (REF. PV335);
 - D. n.3 spacers (REF. PV337);
 - E. hub (REF. PV336);
 - F. N.5 laterals diameter 54 mm, length = see table.

Ref	Description	Fam.	Subfam.	Disp. Stock	
PV353	LOWER LATERAL SYSTEM 4"-8UN X D.63 PRES.VES. 14"-16"-18" SLOTS 0,2 mm*	045	201	•	
PV354	LOWER LATERAL SYSTEM 4"-8UN X D.63 PRES.VES.21"-24" SLOTS 0,2 mm*	045	201	•	
PV355	LOWER LATERAL SYSTEM 4"-8UN X D.63 PRES.VES.30" SLOTS 0,2 mm*	045	201	•	
PV356	LOWER LATERAL SYSTEM 4"-8UN X D.63 PRES.VES.36" SLOTS 0,2 mm*	045	201	•	
PV360	LOWER LATERAL SYSTEM 4"-8UN X D.63 PRES.VES.14"-16"-18" SLOTS 0,5mm*	045	201	•	
PV361	LOWER LATERAL SYSTEM 4"-8UN X D.63 PRES.VES.21"-24" SLOTS 0,5mm*	045	201	•	
PV362	LOWER LATERAL SYSTEM 4"-8UN X D.63 PRES.VES.30" SLOTS 0,5mm*	045	201	•	
PV363	LOWER LATERAL SYSTEM 4"-8UN X D.63 PRES.VES.36" SLOTS 0,5mm*	045	201	•	



Ref	Slots (mm)	Ø Vessel	Flow(m³/h) Δp 0,2 bar	Lateral length (mm)
PV353	0,2	14" - 16" - 18"	16	113
PV354	0,2	21" - 24"	17	175
PV355	0,2	30"	18	237
PV356	0,2	36"	20	299
PV360	0,5	14" - 16" - 18"	16	113
PV361	0,5	21" - 24"	17	175
PV362	0,5	30"	18	237
PV363	0,5	36"	20	299

Certificates	Manufacturer	Sectors
		Industrial



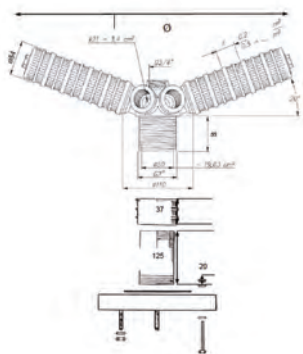
Pressure Vessels Accessories

Lower lateral systems with 6 laterals hub for flanged pressure vessels



- Lower lateral system for 6" flanged pressure vessels;
- Flange material PVC;
- Complete with AISI 304 bolts and washer;
- Hub at 6 laterals;
- Laterals in PP, slots 0,2 or 0,5 mm, length as table below.

Ref	Description	Fam.	Subfam.	Disp. Stock	
PV520	LOWER LATERAL SYSTEM FLANG. 6" DN65 PRES.VES. 18"-21" SLOTS 0,2mm*	045	201	•	
PV521	LOWER LATERAL SYSTEM FLANG. 6" DN65 PRES.VES.24" SLOTS 0,2mm*	045	201	•	
PV522	LOWER LATERAL SYSTEM FLANG. 6" DN65 PRES.VES.30" SLOTS 0,2mm*	045	201	•	
PV523	LOWER LATERAL SYSTEM FLANG. 6" DN65 PRES.VES.36" SLOTS 0,2mm*	045	201	•	
PV524	LOWER LATERAL SYSTEM FLANG. 6"-DN65 PRES.VES. 18"-21" DIFF. 0,5mm*	045	201	•	
PV525	LOWER LATERAL SYSTEM FLANG. 6" DN65 PRES.VES.24" SLOTS 0,5mm*	045	201	•	
PV526	LOWER LATERAL SYSTEM FLANG. 6" DN65 PRES.VES. 30" SLOTS 0,5mm*	045	201	•	
PV527	LOWER LATERAL SYSTEM FLANG. 6" DN65 PRES.VES.36" SLOTS 0,5mm*	045	201	•	



Ref	Ø Vessel	Connection	Lateral lenght (mm)	Ø Diameter (mm)	Slots (mm)	Flow (m³/h) Δ0,2 bar p
PV520	18" - 21"	DN 65	144	374	0,2	16
PV521	24"	DN 65	175	432	0,2	17
PV522	30"	DN 65	237	549	0,2	18
PV523	36"	DN 65	299	665	0,2	20
PV524	18" - 21"	DN 65	144	374	0,5	16
PV525	24"	DN 65	175	432	0,5	17
PV526	30"	DN 65	237	549	0,5	18
PV527	36"	DN 65	299	665	0,5	20

Certificates	Manufacturer	Sectors
		Industrial

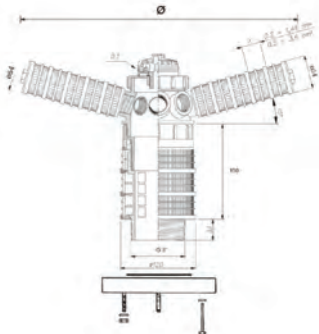


Lower lateral systems with 8 laterals hub for flanged pressure vessels

- Lower lateral system for 6" flanged pressure vessels;
- Flange material PVC;
- Complete with AISI 304 bolts and washer;
- Hub at 8 laterals;
- Laterals in PP, slots 0,2 or 0,5 m

Ref	Description	Fam.	Subfam.	Disp. Stock	
PV522A	LOWER LATERAL SYSTEM FLANG. 6"-DN65 HF PRES.VES. 30" DIFF. 0,2mm*	045	201	•	
PV523A	LOWER LATERAL SYSTEM FLANG. 6" DN65 HF PRES.VES.36" SLOTS 0,2mm*	045	201	•	
PV528	LOWER LATERAL SYSTEM FLANG. 6" DN80 PRES.VES.24" SLOTS 0,2mm*	045	201	•	
PV529	LOWER LATERAL SYSTEM FLANG. 6" DN80 PRES.VES.30" SLOTS 0,2mm*	045	201	•	
PV530	LOWER LATERAL SYSTEM FLANG. 6" DN80 PRES.VES.36" SLOTS 0,2mm*	045	201	•	
PV526A	LOWER LATERAL SYSTEM FLANG. 6" DN65 HF PRES.VES.30" SLOTS 0,5mm*	045	201	•	
PV527A	LOWER LATERAL SYSTEM FLANG. 6" DN65 HF PRES.VES.36" SLOTS 0,5mm*	045	201	•	
PV531	LOWER LATERAL SYSTEM FLANG. 6" DN80 PRES.VES.24" SLOTS 0,5mm*	045	201	•	
PV532	LOWER LATERAL SYSTEM FLANG. 6" DN80 PRES.VES.30" SLOTS 0,5mm*	045	201	•	
PV533	LOWER LATERAL SYSTEM FLANG. 6" DN80 PRES.VES.36" SLOTS 0,5mm*	045	201	•	

Ref	Ø Vessel	Connection	Lateral lenght (mm)	Ø Diameter	Slots (mm)	Flow (m³/h) Δp 0,2 bar
PV522A	30"	DN 65	237	580	0,2	28
PV523A	36"	DN 65	299	699	0,2	30
PV528	24"	DN 80	175	461	0,2	26
PV529	30"	DN 80	237	580	0,2	28
PV530	36"	DN 80	299	699	0,2	30
PV526A	30"	DN 65	237	580	0,5	28
PV527A	36"	DN 65	299	699	0,5	30
PV531	24"	DN 80	175	461	0,5	26
PV532	30"	DN 80	237	580	0,5	28
PV533	36"	DN 80	299	699	0,5	30



Certificates	Manufacturer	Sectors
		Industrial



Pressure Vessels Accessories

Lower double lateral systems for flanged pressure vessels

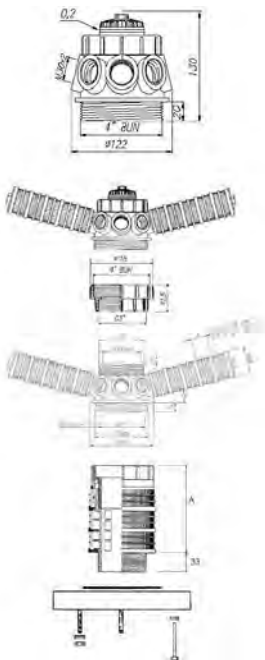
- Lower double lateral system for 6" flanged pressure vessels;
- Flange material PVC, bolts in AISI 304;
- Complete with bolts and washer;
- Double hub at 8 + 8 laterals;
- Laterals in PP, slots 0,2 or 0,5 mm, length as table below.



Ref	Description	Fam.	Subfam.	Disp. Stock	
PV555	LOWER LATERAL SYSTEM FLANG. 6" DN80 PRES.VES.63" SLOTS 0,2 mm*	045	201	•	
PV538	LOWER LATERAL SYSTEM FLANG 6" DN 100 PRES. VES. 63" DIFF 0,2 MM*	045	201	•	
PV556	LOWER LATERAL SYSTEM FLANG. 6" DN80 PRES.VES.63" SLOTS 0,5 mm*	045	201	•	
PV539	LOWER LATERAL SYSTEM FLANG. 6" DN100 PRES.VES.63" SLOTS 0,5 MM*	045	201	•	

Ref	Lateral quantity	A (mm)	Slots (mm)	Flow (m3/h) Δp 0,2 bar	Diffusor lenght (mm)	Ø System diameter (mm)
PV555	8 + 8	190	0,2	50	578-640	1239-1359
PV538	8 + 8	190	0,2	60	578-640	1239-1359
PV556	8 + 8	190	0,5	50	578-640	1239-1359
PV539	8 + 8	190	0,5	60	578-640	1239-1359

Certificates	Manufacturer	Sectors
		Industrial



Ref	Description	Fam.	Subfam.	Disp. Stock	
PV534	LOWER LATERAL SYSTEM FLANG. 6" DN80 PRES.VES.42" SLOTS 0,2 MM*	045	201	•	
PV535	LOWER LATERAL SYSTEM FLANG. 6" - DN80 PRES. VES. 48" DIFF. 0,2 MM*	045	201	•	
PV536	LOWER LATERAL SYSTEM FLANG. 6" DN80 PRES.VES.42" SLOTS 0,5 MM*	045	201	•	
PV537	LOWER LATERAL SYSTEM FLANG. 6" DN80 PRES.VES.48" SLOTS 0,5MM*	045	201	•	

Ref	Lateral quantity	A (mm)	Slots (mm)	Flow (m3/h) Δp 0,2 bar	Diffusor lenght (mm)	Ø Systems (mm)
PV534	8 + 8	150	0,2	32	361-423	819-939
PV535	8 + 8	150	0,2	36	423-485	939-1059
PV536	8 + 8	150	0,5	32	361-423	819-939
PV537	8 + 8	150	0,5	36	423-485	939-1059

Certificates	Manufacturer	Sectors
		Industrial



Pressure Vessels Accessories

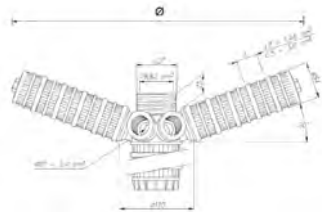
Top mount lower lateral systems for flanged pressure vessels



- Lower lateral system for 6" flanged pressure vessels for top mount valve, with 6 laterals;
- Material hub and laterals PP, length as table below;
- Slots 0,2 or 0,5 mm;
- To install with 2" adapter for the needed riser tube diameter.

Ref	Description	Fam.	Subfam.	Disp. Stock	
PV540	LOWER LATERAL SYSTEM TOP MOUNT PRES.VES. 18"-21" SLOTS 0,2 mm*	045	201	•	
PV544	LOWER LATERAL SYSTEM TOP MOUNT PRES.VES. 18"-21" SLOTS 0,5 mm*	045	201	•	

Ref	Ø Vessel	Diffusor lenght (mm)	Ø Diameter (mm)	Slots (mm)	Flow (m ³ /h) Δp 0,2 bar
PV540	18" - 21"	144	374	0,2	16
PV544	18" - 21"	144	374	0,5	16



Ref	Description	Fam.	Subfam.	Disp. Stock	
PV541	LOWER LATERAL SYSTEM TOP MOUNT PRES.VES. 24" SLOTS 0,2 mm*	045	201	•	
PV545	LOWER LATERAL SYSTEM TOP MOUNT PRES.VES. 24" DIFF. 0,5 mm*	045	201	•	

Ref	Vessel	Diffusor lenght (mm)	Ø Diameter (mm)	Slots (mm)	Flow (m ³ /h) Δp 0,2 bar
PV541	24"	175	432	0,2	17
PV545	24"	175	432	0,5	17

Certificates	Manufacturer	Sectors
		Industrial



Accessories

Ref	Description	Fam.	Subfam.	Disp. Stock	
PV542	LOWER LATERAL SYSTEM TOP MOUNT PRES.VES. 30" SLOTS 0,2 mm*	045	201	•	
PV546	LOWER LATERAL SYSTEM TOP MOUNT PRES.VES. 30" SLOTS 0,5 mm*	045	201	•	

Ref	Ø Vessel	Diffusor lenght (mm)	Ø Diameter (mm)	Slots (mm)	Flow (m³/h) Δp 0,2 bar
PV542	30"	237	549	0,2	18
PV546	30"	237	549	0,5	18

Certificates	Manufacturer	Sectors
		Industrial

Ref	Description	Fam.	Subfam.	Disp. Stock	
PV543	LOWER LATERAL SYSTEM TOP MOUNT PRES.VES. 36" SLOTS 0,2 mm*	045	201	•	
PV547	LOWER LATERAL SYSTEM TOP MOUNT PRES.VES. 36" SLOTS 0,5 mm*	045	201	•	

Ref	Ø Vessel	Diffusor lenght (mm)	Ø Diameter (mm)	Slots (mm)	Flow (m³/h) Δp 0,2 bar
PV543	36"	299	665	0,2	20
PV547	36"	299	665	0,5	20

Certificates	Manufacturer	Sectors
		Industrial

2" gas adapter

- 2" GAS adapters with connection to glue;
- Material PVC.

Ref	Description	Fam.	Subfam.	Disp. Stock	
PV384	ADAPTER F/F 2"x41,8 mm TO GLUE	045	201	•	
PV385	ADAPTER F/F 2"x48,3 mm TO GLUE	045	201	•	
PV386	ADAPTER F/F 2"x50 mm TO GLUE	045	201	•	
PV387	ADAPTER F/F 2"x63 mm TO GLUE	045	201	•	

Ref	Description	Connection to glue (mm)
PV384	ADAPTER F/F 2"x41,8 mm TO GLUE	41,8
PV385	ADAPTER F/F 2"x48,3 mm TO GLUE	48,3
PV386	ADAPTER F/F 2"x50 mm TO GLUE	50,0
PV387	ADAPTER F/F 2"x63 mm TO GLUE	63,0

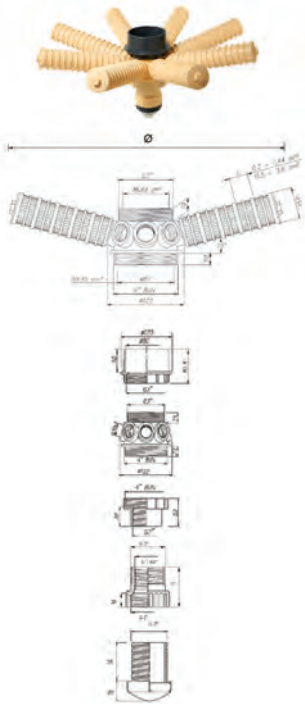
Certificates	Manufacturer	Sectors
		Industrial



Pressure Vessels Accessories

Top mount lower lateral systems for tubes diameter 90 mm

- Lower lateral system for 6" flanged pressure vessels for top mount valve, with 8 laterals;
- Material hub and laterals PP, length as table below;
- Slots 0,2;
- To glue on tube diameter 90 mm.



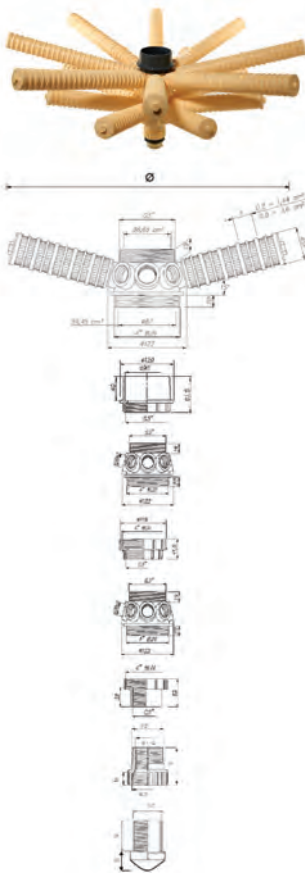
Ref	Description	Fam.	Subfam.	Disp. Stock	
PV548	LOWER LATERAL SYSTEM TOP MOUNT PRES.VES. 30" FOR TUBE 90 MM SLOTS 0,2 M	045	201	•	
PV549	LOWER LATERAL SYSTEM TOP MOUNT PRES.VES. 36" TUBE 90 MM SLOTS 0,2 MM*	045	201	•	

Ref	Diffusor lenght (mm)	Ø Diameter	Slots (mm)	Flow (m³/h) Δp 0,2 bar
PV548	237	580	0,2	28
PV549	299	699	0,2	30

Certificates	Manufacturer	Sectors
		Industrial

Top mount lower double lateral systems for tubes diameter 90 mm

- Lower lateral system for 6" flanged pressure vessels for top mount valve, with 8+8 laterals;
- Material hub and laterals PP, length as table below;
- Slots 0,2;
- To glue on tube diameter 90 mm.



Ref	Description	Fam.	Subfam.	Disp. Stock	
PV550	LOWER LATERAL SYSTEM TOP MOUNT PRES.VES. 42" FOR TUBE 90 MM SLOTS 0,2 M	045	201	•	
PV551	LOWER LATERAL SYSTEM TOP MOUNT PRES.VES. 48" TUBE 90 MM SLOTS 0,2 MM*	045	201	•	

Ref	Laterals quantity	Lateral lenght (mm)	Ø Diameter (mm)	Slots(mm)	Flow (m³/h) Δp 0,2 bar
PV550	8 + 8	299-423	699-939	0,2	31
PV551	8 + 8	361-485	361-485	0,2	34

Box: WxLxH	Box: Q.ty	Box: Weight	Pallet: WxLxH	Pallet: Q.ty	Pallet: Weight

Certificates	Manufacturer	Sectors
		Industrial



Pressure Vessels Accessories

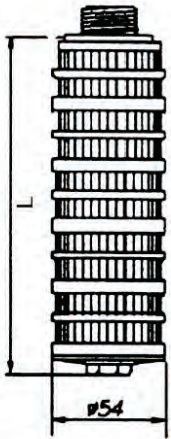
Cylindrical laterals

- Cylindrical laterals with threaded connection M 30x2;
- Material PP;
- Diameter 54 mm;
- Slots 0,2 or 0,5 mm.

Laterals with 0,2 mm slots



Ref	Description	Fam.	Subfam.	Disp. Stock	
PV345	LATERAL DIFFUSER M 30 X 2 L=113 - 0,2 MM	045	201	•	
PV370	LATERAL DISTRIBUTOR M 30X2 L=144 - 0,2mm	045	201	•	
PV346	LATERAL DIFFUSER M 30 X 2 L=175 - 0,2 MM	045	201	•	
PV371	LATERAL DISTRIBUTOR M 30X2 L=206 - 0,2mm	045	201	•	
PV347	LATERAL DIFFUSER M 30 X 2 L=237 - 0,2 MM	045	201	•	
PV348	LATERAL DIFFUSER M 30 X 2 L=299 - 0,2 MM	045	201	•	
PV372	LATERAL DISTRIBUTOR M 30X2 L=361 - 0,2mm	045	201	•	
PV373	LATERAL DISTRIBUTOR M 30X2 L=423 - 0,2mm	045	201	•	
PV374	LATERAL DISTRIBUTOR M 30X2 L=485 - 0,2mm	045	201	•	
PV389	LATERAL DIFFUSER M 30X2 L=578 - 0,2 MM	045	201	•	
PV391	LATERAL DIFFUSER M30x2 L = 640 MM SLOTS 0,2 MM	045	201	•	



Ref	Description	L (mm)
PV345	LATERAL DIFFUSER M 30 X 2 L=113 - 0,2 MM	113
PV370	LATERAL DISTRIBUTOR M 30X2 L=144 - 0,2mm	144
PV346	LATERAL DIFFUSER M 30 X 2 L=175 - 0,2 MM	175
PV371	LATERAL DISTRIBUTOR M 30X2 L=206 - 0,2mm	206
PV347	LATERAL DIFFUSER M 30 X 2 L=237 - 0,2 MM	237
PV348	LATERAL DIFFUSER M 30 X 2 L=299 - 0,2 MM	299
PV372	LATERAL DISTRIBUTOR M 30X2 L=361 - 0,2mm	361
PV373	LATERAL DISTRIBUTOR M 30X2 L=423 - 0,2mm	423
PV374	LATERAL DISTRIBUTOR M 30X2 L=485 - 0,2mm	485
PV389	LATERAL DIFFUSER M 30X2 L=578 - 0,2 MM	578
PV391	LATERAL DIFFUSER M30x2 L = 640 MM SLOTS 0,2 MM	640

Certificates	Manufacturer	Sectors
		Industrial

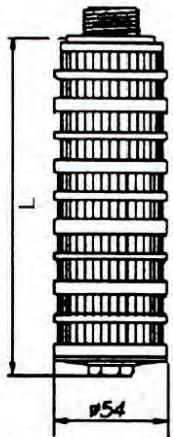


Cylindrical laterals

- Cylindrical laterals with threaded connection M 30x2;
- Material PP;
- Diameter 54 mm;
- Slots 0,2 or 0,5 mm.

Laterals with 0,5 mm slots

Ref	Description	Fam.	Subfam.	Disp. Stock	
PV375	LATERAL DISTRIBUTOR M 30X2 L=113 - 0,5mm	045	201	•	
PV376	LATERAL DISTRIBUTOR M 30X2 L=144 - 0,5mm	045	201	•	
PV377	LATERAL DISTRIBUTOR M 30X2 L=175 - 0,5mm	045	201	•	
PV378	LATERAL DISTRIBUTOR M 30X2 L=206 - 0,5mm	045	201	•	
PV379	LATERAL DISTRIBUTOR M 30X2 L=237 - 0,5mm	045	201	•	
PV380	LATERAL DISTRIBUTOR M 30X2 L=299 - 0,5mm	045	201	•	
PV381	LATERAL DISTRIBUTOR M 30X2 L=361 - 0,5mm	045	201	•	
PV382	LATERAL DISTRIBUTOR M 30X2 L=423 - 0,5mm	045	201	•	
PV383	LATERAL DISTRIBUTOR M 30X2 L=485 - 0,5mm	045	201	•	
PV390	LATERAL DIFFUSER M30x2 L = 578 MM SLOTS 0,5 MM	045	201	•	
PV392	LATERAL DIFFUSER M 30X2 L=640 - 0,5 MM	045	201	•	



Ref	Description	L (mm)
PV375	LATERAL DISTRIBUTOR M 30X2 L=113 - 0,5mm	113
PV376	LATERAL DISTRIBUTOR M 30X2 L=144 - 0,5mm	144
PV377	LATERAL DISTRIBUTOR M 30X2 L=175 - 0,5mm	175
PV378	LATERAL DISTRIBUTOR M 30X2 L=206 - 0,5mm	206
PV379	LATERAL DISTRIBUTOR M 30X2 L=237 - 0,5mm	237
PV380	LATERAL DISTRIBUTOR M 30X2 L=299 - 0,5mm	299
PV381	LATERAL DISTRIBUTOR M 30X2 L=361 - 0,5mm	361
PV382	LATERAL DISTRIBUTOR M 30X2 L=423 - 0,5mm	423
PV383	LATERAL DISTRIBUTOR M 30X2 L=485 - 0,5mm	485
PV390	LATERAL DIFFUSER M30x2 L = 578 MM SLOTS 0,5 MM	578
PV392	LATERAL DIFFUSER M 30X2 L=640 - 0,5 MM	640

Certificates	Manufacturer	Sectors
		Industrial



Pressure Vessels Accessories

Flange coupling kit



- For 6" flanged pressure vessels;
- Including flange adaptor and coupling flange in PVC;
- With gasket in EPDM.

Ref	Description	Fam.	Subfam.	Disp. Stock	
PV594M	FLANGE COUPLING KIT DN65-D75-2"1/2	045	210	•	
PV595M	FLANGE COUPLING KIT DN80-D90-3"	045	210	•	
PV596M	FLANGE COUPLING KIT DN100-D110-4"	045	210	•	

Ref	Description	Connection
PV594M	FLANGE COUPLING KIT DN65-D75-2"1/2	DN65
PV595M	FLANGE COUPLING KIT DN80-D90-3"	DN80
PV596M	FLANGE COUPLING KIT DN100-D110-4"	DN100

Certificates	Manufacturer	Sectors
		Industrial

PV295



PV395



Mineral tank funnels

- The tank funnels are designed for filling mineral tanks with granular media and ion exchange resin;
- The funnels are designed to fit 2,5", 4" and 6" mineral tank openings;
- These economical funnels are nestable to reduce shipping and storage costs;
- The funnel ref. PV395 snaps into a 4" or 6" mineral tank opening for stability when pouring media. The neck of the funnel has been carefully designed to allow trapped air inside the mineral tank to escape when media is poured in. This heavy duty part is blow molded out of high density polyethylene for exceptional strength and durability. The oval design provides an extra wide opening for ease of use when pouring. Handles are molded into the funnel for added convenience.

Ref	Description	Fam.	Subfam.	Disp. Stock	
PV295	MINERAL TANK FUNNEL 2.5"	045	196	•	
PV395	MINERAL TANK FUNNEL 4" - 6"	045	201	•	

Certificates	Manufacturer	Sectors
		Domestic, Commercial, Industrial



WELLMATE Pressure Vessels

- Pressure Vessels, suitable for industrial and potable water treatment systems;
- Made in U.S.A.;
- In Polyether Urethane (PEU);
- Max operating external temperature 50°C;
- Max operating internal temperature 38°C;
- Min. operating temperature 4°C;
- Grey colour;
- Warranty 5 years.

Ref	Description	Fam.	Subfam.	Disp. Stock	
BWM0060	WELLMATE PEU 8.5 BAR - 55 LT - 1"	100	460		
BWM0075	WELLMATE PEU 8.5 BAR - 75 LT - 1"	100	460		
BWM0120	WELLMATE PEU 8.5 BAR - 112 LT - 1"	100	460		
BWM-HP-110	WELLMATE HYDROPNEUMATIC 5 BAR - 114 LT - 1 1/4"	100	460		
BWM-HP-150	WELLMATE HYDROPNEUMATIC 5 BAR - 151 LT - 1 1/4"	100	460		
BWM0150	WELLMATE PEU 8.5 BAR - 153 LT - 1"	100	460		
BWM-HP-300	WELLMATE HYDROPNEUMATIC 5 BAR - 303 LT - 1 1/4"	100	460		
BWM0180	WELLMATE PEU 8.5 BAR - 178 LT - 1" 1/4"	100	460		
BWM0235	WELLMATE PEU 8.5 BAR - 235 LT - 1" 1/4"	100	460		
BWM0330	WELLMATE PEU 8.5 BAR - 328 LT - 1" 1/4"	100	460		
BWM0450	WELLMATE PEU 8.5 BAR - 453 LT - 1" 1/4"	100	460		
BWM-LP-075	WELLMATE PEU LOW PROFILE 8.5 BAR - 73 LT - 1"	100	460		
BWM-LP-130	WELLMATE PEU LOW PROFILE 8.5 BAR - 131 LT - 1"	100	460		
BWM-HP-450	WELLMATE HYDROPNEUMATIC 5 BAR - 454 LT - 1 1/4"	100	460		
BWM0600	WELLMATE PEU 10 BAR - 606 LT - 2"	100	460		

Ref	Diameter (mm)	Total Height (mm)	In-Out Height from the floor(mm)	Connection (Inch)	Weight (kg)
BWM0060	410	660	44	1" NPT M	7
BWM0075	410	810	44	1" NPT M	8
BWM0120	410	1120	44	1" NPT M	11
BWM-HP-110	410	1110	38	1" 1/4" NPT M	12
BWM-HP-150	410	1440	38	1" 1/4" NPT M	13
BWM0150	530	1570	57	1" NPT M	30
BWM-HP-300	530	1570	51	1" 1/4" NPT M	16
BWM0180	610	1050	57	1" 1/4" NPT M	23
BWM0235	610	1400	57	1" 1/4" NPT M	33
BWM0330	610	1400	57	1" 1/4" NPT M	33
BWM0450	610	1890	57	1" 1/4" NPT M	43
BWM-LP-075	610	510	57	1" NPT M	11
BWM-LP-130	610	710	57	1" NPT M	14
BWM-HP-450	610	1840	51	1" 1/4" NPT M	29
BWM0600	760	1740	150	2" NPT M	76

Certificates	Manufacturer	Sectors
NSF 61, WRAS, CE	Pentair	Domestic

**Accessories and Spare Parts:**

Ref	Description	Fam.	Subfam.	Disp. Stock	
BWM-AC-0600	AIRCELL REPLACEMENT KIT FOR BWM0600	100	462		
BWM-AC-0750	AIRCELL REPLACEMENT KIT FOR BWM-IN- 0750	100	462		
BWM-AC-1000	AIRCELL REPLACEMENT KIT FOR BWM-IN- 1000	100	462		
BWM-AVC-20290	AIR VOLUME CONTROL ASSEMBLY FOR BWM-HP-110	100	462		
BWM-AVC-20288	AIR VOLUME CONTROL ASSEMBLY FOR BWM-HP-150	100	462		
BWM-AVC-20287	AIR VOLUME CONTROL ASSEMBLY FOR BWM-HP-300	100	462		
BWM-AVC-20291	AIR VOLUME CONTROL ASSEMBLY FOR BWM-HP-450	100	462		
BWM-AVC-1	AIR VOLUME CONTROL ASSEMBLY FOR BWM-HP/UT	100	462		
BWM-BA-20513	WELLMATE BASE 180/300	100	462		
BWM-DA-3174	WM SCREEN & ADAPT. ASSY + O-RING - 4"x2" NPSM	100	462		
BWM-DA-HU79	WM BOTTOM DRAIN + 1 1/4" NPT THREADED PIPES HP110-150	100	462		
BWM-DA-HU86	WM BOTTOM DRAIN + 1 1/4" NPT THREADED PIPES HP300-450	100	462		
BWM-PB-001	WM PUMP MOUNT BRACKET	100	462		
BWM-AI-01	WM AIR INJECTOR/MICRONIZER-HP	100	462		
BWM-VB-10724	WM VACUUM BREAKER UT/HP	100	462		
BWM-CL-0002	WM "H" CLIP	100	462		

EUROTROL®

WATER TREATMENT COMPONENTS



MWG cabinets

INDEX



Cabinets for Softeners Mini Cab Series

- Tanks and covers made in European Union (Italy);
- Cabinets for residential softeners, complete with salt lid and cover of exclusive design;
- Materials: tank in HDPE, cover in polystyrene;
- Standard colours: white tank and blue, white or black cover;
- On demand and for quantities we can realize customized colours;
- EU design patent no. 003156272.



Ref	Description	Fam.	Subfam.	Disp. Stock
C0513MWMAS	CAB. MINI CAB. WHITE COVER LIGHT BLU 5X13*	045	210	•
C0613MWMAS	CAB. MINI CAB. WHITE COVER LIGHT BLU 6X13*	045	210	•
C0713MWMAS	CAB. MINI CAB. WHITE COVER LIGHT BLU 7X13*	045	210	•
C0513MWMWS	CAB. MINI CAB. WHITE COVER WHITE 5X13*	045	210	•
C0613MWMWS	CAB. MINI CAB. WHITE COVER WHITE 6X13*	045	210	•
C0713MWMWS	CAB. MINI CAB. WHITE COVER WHITE 7X13*	045	210	•
C0513MWMDS	CAB. MINI CAB. WHITE COVER BLACK 5X13*	045	210	•
C0613MWMDS	CAB. MINI CAB. WHITE COVER BLACK 6X13*	045	210	•
C0713MWMDS	CAB. MINI CAB WHITE COVER BLACK 7X13*	045	210	•

Ref	Width (mm)	Length (mm)	Height (mm)	With MWG tank
C0513MWMAS	220	365	333	5 x 13
C0613MWMAS	220	365	333	6 x 13
C0713MWMAS	220	365	333	7 x 13
C0513MWMWS	220	365	333	5 x 13
C0613MWMWS	220	365	333	6 x 13
C0713MWMWS	220	365	333	7 x 13
C0513MWMDS	220	365	333	5 x 13
C0613MWMDS	220	365	333	6 x 13
C0713MWMDS	220	365	333	7 x 13

Box: WxLxH	Box: Q.ty	Box: Weight	Pallet: WxLxH	Pallet: Q.ty	Pallet: Weight

Certificates	Manufacturer	Sectors
	MWG	Domestic



Cabinets for Softeners New Junior Series

- Tanks and covers made in European Union (Italy);
- Cabinets for residential softeners, complete with salt lid;
- Materials: tank in HDPE, salt lid in polystyrene;
- Standard colours: tank white, salt lid black;
- Different colours available on demand ;
- EU design patent no. 003156272.



Ref	Description	Fam.	Subfam.	Disp. Stock
C0513GWGD	CAB. NEW JUNIOR 13 WHITE COVER BLACK 5X13*	045	210	•
C0613GWGD	CAB. NEW JUNIOR 13 WHITE COVER BLACK 6X13*	045	210	•
C0713GWGD	CAB. NEW JUNIOR 13 WHITE COVER BLACK 7X13*	045	210	•
C0813GWGD	CAB. NEW JUNIOR 13 WHITE COVER BLACK 8X13*	045	210	•

Ref	Width (mm)	Length (mm)	Height (mm)
C0513GWGD	240	435	330
C0613GWGD	240	435	330
C0713GWGD	240	435	330
C0813GWGD	240	435	330

Box: WxLxH	Box: Q.ty	Box: Weight	Pallet: WxLxH	Pallet: Q.ty	Pallet: Weight

Accessories

Ref	Description	Fam.	Subfam.	Disp. Stock
PA012	WELL FOR JUNIOR 13*	045	215	•

Certificates	Manufacturer	Sectors
	MWG	Domestic

Ref	Description	Fam.	Subfam.	Disp. Stock
C0717GWGD	CAB. NEW JUNIOR 17 WHITE COVER BLACK 7X17*	045	210	•
C0817GWGD	CAB. NEW JUNIOR 17 WHITE COVER BLACK 8X17*	045	210	•

Ref	Width (mm)	Length (mm)	Height (mm)
C0717GWGD	240	435	432
C0817GWGD	240	435	432

Box: WxLxH	Box: Q.ty	Box: Weight	Pallet: WxLxH	Pallet: Q.ty	Pallet: Weight

Accessories

Ref	Description	Fam.	Subfam.	Disp. Stock
PA003	WELL FOR MINI/JUNIOR 17*	045	215	•

Ref	Description	Diameter (mm)	Height (mm)
PA003	WELL FOR MINI/JUNIOR 17*	100	342

Certificates	Manufacturer	Sectors
	MWG	Domestic



Ref	Description	Fam.	Subfam.	Disp. Stock	
C0724GWGD	CAB. NEW JUNIOR 24 WHITE COVER BLACK 7X24*	045	210	•	
C0824GWGD	CAB. NEW JUNIOR 24 WHITE COVER BLACK 8X24*	045	210	•	

Ref	Width (mm)	Length (mm)	Height (mm)
C0724GWGD	240	435	610
C0824GWGD	240	435	610

Box: WxLxH	Box: Q.ty	Box: Weight	Pallet: WxLxH	Pallet: Q.ty	Pallet: Weight

Accessories

Ref	Description	Fam.	Subfam.	Disp. Stock	
PA075	BRINE WELL 24" NEW JUNIOR/SURF/LINE H=520 MM*	045	215	•	

Ref	Description	Diameter (mm)	Height (mm)
PA075	BRINE WELL 24" NEW JUNIOR/SURF/LINE H=520 MM*	100	520

Certificates	Manufacturer	Sectors
	MWG	Domestic



Cabinets for Softeners Slim Line Series

- Tanks and covers made in European Union (Italy);
- Cabinets for residential softeners, complete with salt lid and cover of exclusive design;
- Materials: tank in HDPE, cover in polystyrene;
- Standard colours: white tank and blue, white or black cover;
- On demand and for quantities we can realize customized colours;
- EU design patent no. 003156272.



Ref	Description	Fam.	Subfam.	Disp. Stock
C0717LWSAS	CAB. LINE WHITE COVER SLIM LIGHT BLU 7x17*	045	210	•
C0717LWSWS	CAB. LINE WHITE COVER SLIM WHITE 7X17*	045	210	•
C0717LWSDS	CAB. LINE WHITE COVER SLIM BLACK 7X17*	045	210	•
C0817LWSAS	CAB. LINE WHITE COVER SLIM LIGHT BLU 8x17*	045	210	•
C0817LWSWS	CAB. LINE WHITE COVER SLIM WHITE 8X17*	045	210	•
C0817LWSDS	CAB. LINE WHITE COVER SLIM BLACK 8X17*	045	210	•
C0917LWSAS	CAB. LINE WHITE COVER SLIM LIGHT BLU 9x17*	045	210	•
C0917LWSWS	CAB. LINE WHITE COVER SLIM WHITE 9X17*	045	210	•
C0917LWSDS	CAB. LINE WHITE COVER SLIM BLACK 9X17*	045	210	•
C1017LWSAS	CAB. LINE WHITE COVER SLIM LIGHT BLU 10x17*	045	210	•
C1017LWSWS	CAB. LINE WHITE COVER SLIM WHITE 10X17*	045	210	•
C1017LWSDS	CAB. LINE WHITE COVER SLIM BLACK 10X17*	045	210	•

Ref	Widht (mm)	Lenght (mm)	Heigth (mm)
C0717LWSAS	320	500	440
C0717LWSWS	320	500	440
C0717LWSDS	320	500	440
C0817LWSAS	320	500	440
C0817LWSWS	320	500	440
C0817LWSDS	320	500	440
C0917LWSAS	320	500	440
C0917LWSWS	320	500	440
C0917LWSDS	320	500	440
C1017LWSAS	320	500	440
C1017LWSWS	320	500	440
C1017LWSDS	320	500	440

Box: WxLxH	Box: Q.ty	Box: Weight	Pallet: WxLxH	Pallet: Q.ty	Pallet: Weight

Accessories

Ref	Description	Fam.	Subfam.	Disp. Stock
PA003	WELL FOR MINI/JUNIOR 17*	045	215	•

Ref	Description	Diameter (mm)	Heigth (mm)
PA003	WELL FOR MINI/JUNIOR 17*	100	340

Certificates	Manufacturer	Sectors
	MWG	Domestic



Cabinets for Softeners Slim Line Series



Ref	Description	Fam.	Subfam.	Disp. Stock
C0735LWSAS	CAB. LINE WHITE COVER SLIM LIGHT BLU 7x35*	045	210	•
C0735LWSWS	CAB. LINE WHITE COVER SLIM WHITE 7X35*	045	210	•
C0735LWSDS	CAB. LINE WHITE COVER SLIM BLACK 7X35*	045	210	•
C0835LWSAS	CAB. LINE WHITE COVER SLIM LIGHT BLU 8x35*	045	210	•
C0835LWSWS	CAB. LINE WHITE COVER SLIM WHITE 8X35*	045	210	•
C0835LWSDS	CAB. LINE WHITE COVER SLIM BLACK 8X35*	045	210	•
C0935LWSAS	CAB. LINE WHITE COVER SLIM LIGHT BLU 9x35*	045	210	•
C0935LWSWS	CAB. LINE WHITE COVER SLIM WHITE 9X35*	045	210	•
C0935LWSDS	CAB. LINE WHITE COVER SLIM BLACK 9X35*	045	210	•
C1035LWSAS	CAB. LINE WHITE COVER SLIM LIGHT BLU 10x35*	045	210	•
C1035LWSWS	CAB. LINE WHITE COVER SLIM WHITE 10X35*	045	210	•
C1035LWSDS	CAB. LINE WHITE COVER SLIM BLACK 10X35*	045	210	•

Ref	Width (mm)	Length (mm)	Height (mm)
C0735LWSAS	320	500	900
C0735LWSWS	320	500	900
C0735LWSDS	320	500	900
C0835LWSAS	320	500	900
C0835LWSWS	320	500	900
C0835LWSDS	320	500	900
C0935LWSAS	320	500	900
C0935LWSWS	320	500	900
C0935LWSDS	320	500	900
C1035LWSAS	320	500	900
C1035LWSWS	320	500	900
C1035LWSDS	320	500	900

Accessories

Ref	Description	Fam.	Subfam.	Disp. Stock
PA077	BRINE WELL FOR CAB. SURF/LINE 35*	045	215	•

Ref	Description	Diameter (mm)	Height (mm)
PA077	BRINE WELL FOR CAB. SURF/LINE 35*	100	780

Certificates	Manufacturer	Sectors
	MWG	Domestic



Ref	Description	Fam.	Subfam.	Disp. Stock	
C0724LWSAS	CAB. LINE WHITE COVER SLIM LIGHT BLU 7x24*	045	210	•	
C0724LWSWS	CAB. LINE WHITE COVER SLIM WHITE 7X24*	045	210	•	
C0724LWSDS	CAB. LINE WHITE COVER SLIM BLACK 7X24*	045	210	•	
C0824LWSAS	CAB. LINE WHITE COVER SLIM LIGHT BLU 8x24*	045	210	•	
C0824LWSWS	CAB. LINE WHITE COVER SLIM WHITE 8X24*	045	210	•	
C0824LWSDS	CAB. LINE WHITE COVER SLIM BLACK 8X24*	045	210	•	
C0924LWSAS	CAB. LINE WHITE COVER SLIM LIGHT BLU 9X24*	045	210	•	
C0924LWSWS	CAB. LINE WHITE COVER SLIM WHITE 9X24*	045	210	•	
C0924LWSDS	CAB. LINE WHITE COVER SLIM BLACK 9X24*	045	210	•	
C1024LWSAS	CAB. LINE WHITE COVER SLIM LIGHT BLU 10x24*	045	210	•	
C1024LWSWS	CAB. LINE WHITE COVER SLIM WHITE 10X24*	045	210	•	
C1024LWSDS	CAB. LINE WHITE COVER SLIM BLACK 10X24*	045	210	•	

Ref	Widht (mm)	Lenght (mm)	Heigth (mm)
C0724LWSAS	320	500	620
C0724LWSWS	320	500	620
C0724LWSDS	320	500	620
C0824LWSAS	320	500	620
C0824LWSWS	320	500	620
C0824LWSDS	320	500	620
C0924LWSAS	320	500	620
C0924LWSWS	320	500	620
C0924LWSDS	320	500	620
C1024LWSAS	320	500	620
C1024LWSWS	320	500	620
C1024LWSDS	320	500	620

Box: WxLxH	Box: Q.ty	Box: Weight	Pallet: WxLxH	Pallet: Q.ty	Pallet: Weight

Accessories

Ref	Description	Fam.	Subfam.	Disp. Stock	
PA075	BRINE WELL 24" NEW JUNIOR/SURF/LINE H=520 MM*	045	215	•	

Ref	Description	Diameter (mm)	Heigth (mm)
PA075	BRINE WELL 24" NEW JUNIOR/SURF/LINE H=520 MM*	100	520

Certificates	Manufacturer	Sectors
	MWG	Domestic



Cabinets for Softeners Slim Surf Series

- Tanks and covers made in European Union (Italy);
- Cabinets for residential softeners, complete with salt lid and cover of exclusive design;
- Materials: tank in HDPE, cover in polystyrene;
- Standard colours: white tank and blue, white or black cover;
- On demand and for quantities we can realize customized colours;
- EU design patent no. 003156272.



Ref	Description	Fam.	Subfam.	Disp. Stock
C0717SWSAS	CAB. SURF WHITE COVER SLIM LIGHT BLU 7x17*	045	210	•
C0717SWSWS	CAB. SURF WHITE COVER SLIM WHITE 7X17*	045	210	•
C0717SWSDS	CAB. SURF WHITE COVER SLIM BLACK 7X17*	045	210	•
C0817SWSAS	CAB. SURF WHITE COVER SLIM LIGHT BLU 8x17*	045	210	•
C0817SWSWS	CAB. SURF WHITE COVER SLIM WHITE 8X17*	045	210	•
C0817SWSDS	CAB. SURF WHITE COVER SLIM BLACK 8X17*	045	210	•
C0917SWSAS	CAB. SURF WHITE COVER SLIM LIGHT BLU 9x17*	045	210	•
C0917SWSWS	CAB. SURF WHITE COVER SLIM WHITE 9X17*	045	210	•
C0917SWSDS	CAB. SURF WHITE COVER SLIM BLACK 9X17*	045	210	•
C1017SWSAS	CAB. SURF WHITE COVER SLIM LIGHT BLU 10x17*	045	210	•
C1017SWSWS	CAB. SURF WHITE COVER SLIM WHITE 10X17*	045	210	•
C1017SWSDS	CAB. SURF WHITE COVER SLIM BLACK 10X17*	045	210	•

Ref	Width (mm)	Length (mm)	Height (mm)
C0717SWSAS	320	500	440
C0717SWSWS	320	500	440
C0717SWSDS	320	500	440
C0817SWSAS	320	500	440
C0817SWSWS	320	500	440
C0817SWSDS	320	500	440
C0917SWSAS	320	500	440
C0917SWSWS	320	500	440
C0917SWSDS	320	500	440
C1017SWSAS	320	500	440
C1017SWSWS	320	500	440
C1017SWSDS	320	500	440

Box: WxLxH	Box: Q.ty	Box: Weight	Pallet: WxLxH	Pallet: Q.ty	Pallet: Weight

Accessories

Ref	Description	Fam.	Subfam.	Disp. Stock
PA003	WELL FOR MINI/JUNIOR 17*	045	215	•

Ref	Description	Diameter (mm)	Height (mm)
PA003	WELL FOR MINI/JUNIOR 17*	100	340

Certificates	Manufacturer	Sectors
	MWG	Domestic



Cabinets for Softeners Slim Surf Series



Ref	Description	Fam.	Subfam.	Disp. Stock	
C0724SWSAS	CAB. SURF WHITE SLIM COVER LIGHT BLU 7X24*	045	210	•	
C0724SWSWS	CAB. SURF WHITE COVER SLIM WHITE 7X24*	045	210	•	
C0724SWSDS	CAB. SURF WHITE SLIM COVER BLACK 7X24*	045	210	•	
C0824SWSAS	CAB. SURF WHITE COVER SLIM LIGHT BLU 8x24*	045	210	•	
C0824SWSWS	CAB. SURF WHITE COVER SLIM WHITE 8X24*	045	210	•	
C0824SWSDS	CAB. SURF WHITE COVER SLIM BLACK 8X24*	045	210	•	
C0924SWSAS	CAB. SURF WHITE COVER SLIM LIGHT BLU 9X24*	045	210	•	
C0924SWSWS	CAB. SURF WHITE COVER SLIM WHITE 9X24*	045	210	•	
C0924SWSDS	CAB. SURF WHITE COVER SLIM BLACK 9X24*	045	210	•	
C1024SWSAS	CAB. SURF WHITE COVER SLIM LIGHT BLU 10x24*	045	210	•	
C1024SWSWS	CAB. SURF WHITE COVER SLIM WHITE 10X24*	045	210	•	
C1024SWSDS	CAB. SURF WHITE COVER SLIM BLACK 10X24*	045	210	•	

Ref	Width (mm)	Length (mm)	Height (mm)
C0724SWSAS	320	500	620
C0724SWSWS	320	500	620
C0724SWSDS	320	500	620
C0824SWSAS	320	500	620
C0824SWSWS	320	500	620
C0824SWSDS	320	500	620
C0924SWSAS	320	500	620
C0924SWSWS	320	500	620
C0924SWSDS	320	500	620
C1024SWSAS	320	500	620
C1024SWSWS	320	500	620
C1024SWSDS	320	500	620

Box: WxLxH	Box: Q.ty	Box: Weight	Pallet: WxLxH	Pallet: Q.ty	Pallet: Weight

Accessories

Ref	Description	Fam.	Subfam.	Disp. Stock	
PA075	BRINE WELL 24" NEW JUNIOR/SURF/LINE H=520 MM*	045	215	•	

Ref	Description	Diameter (mm)	Height (mm)
PA075	BRINE WELL 24" NEW JUNIOR/SURF/LINE H=520 MM*	100	520

Certificates	Manufacturer	Sectors
	MWG	Domestic



Ref	Description	Fam.	Subfam.	Disp. Stock	
C0735SWSAS	CAB. SURF WHITE COVER SLIM LIGHT BLU 7x35*	045	210	•	
C0735SWSWS	CAB. SURF WHITE COVER SLIM WHITE 7X35*	045	210	•	
C0735SWSDS	CAB. SURF WHITE COVER SLIM BLACK 7X35*	045	210	•	
C0835SWSAS	CAB. SURF WHITE COVER SLIM LIGHT BLU 8x35*	045	210	•	
C0835SWSWS	CAB. SURF WHITE COVER SLIM WHITE 8X35*	045	210	•	
C0835SWSDS	CAB. SURF WHITE COVER SLIM BLACK 8X35*	045	210	•	
C0935SWSAS	CAB. SURF WHITE COVER SLIM LIGHT BLU 9x35*	045	210	•	
C0935SWSWS	CAB. SURF WHITE COVER SLIM WHITE 9X35*	045	210	•	
C0935SWSDS	CAB. SURF WHITE COVER SLIM BLACK 9X35*	045	210	•	
C1035SWSAS	CAB. SURF WHITE COVER SLIM LIGHT BLU 10x35*	045	210	•	
C1035SWSWS	CAB. SURF WHITE COVER SLIM WHITE 10X35*	045	210	•	
C1035SWSDS	CAB. SURF WHITE COVER SLIM BLACK 10X35*	045	210	•	

Ref	Width (mm)	Length (mm)	Height (mm)
C0735SWSAS	320	500	900
C0735SWSWS	320	500	900
C0735SWSDS	320	500	900
C0835SWSAS	320	500	900
C0835SWSWS	320	500	900
C0835SWSDS	320	500	900
C0935SWSAS	320	500	900
C0935SWSWS	320	500	900
C0935SWSDS	320	500	900
C1035SWSAS	320	500	900
C1035SWSWS	320	500	900
C1035SWSDS	320	500	900

Box: WxLxH	Box: Q.ty	Box: Weight	Pallet: WxLxH	Pallet: Q.ty	Pallet: Weight

Accessories

Ref	Description	Fam.	Subfam.	Disp. Stock	
PA077	BRINE WELL FOR CAB. SURF/LINE 35*	045	215	•	

Ref	Description	Diameter (mm)	Height (mm)
PA077	BRINE WELL FOR CAB. SURF/LINE 35*	100	780

Certificates	Manufacturer	Sectors
	MWG	Domestic



Cabinets for Softeners Top Line Series

- Tanks and covers made in European Union (Italy);
- Cabinets for residential softeners, complete with salt lid and cover of exclusive design;
- Materials: tank in HDPE, cover in polystyrene;
- Standard colours: white tank and blue, white or black cover;
- On demand and for quantities we can realize customized colours;
- EU design patent no. 003156272.



Ref	Description	Fam.	Subfam.	Disp. Stock	
C0717LWTAS	CAB. LINE WHITE COVER TOP LIGHT BLU 7x17*	045	210	•	
C0717LWTWS	CAB. LINE WHITE COVER TOP WHITE 7X17*	045	210	•	
C0717LWTDS	CAB. LINE WHITE COVER TOP BLACK 7X17*	045	210	•	
C0817LWTAS	CAB. LINE WHITE COVER TOP LIGHT BLU 8x17*	045	210	•	
C0817LWTWS	CAB. LINE WHITE COVER TOP WHITE 8X17*	045	210	•	
C0817LWTDS	CAB. LINE WHITE COVER TOP BLACK 8X17*	045	210	•	
C0917LWTAS	CAB. LINE WHITE COVER TOP LIGHT BLU 9x17*	045	210	•	
C0917LWTWS	CAB. LINE WHITE COVER TOP WHITE 9X17*	045	210	•	
C0917LWTDS	CAB. LINE WHITE COVER TOP BLACK 9X17*	045	210	•	
C1017LWTAS	CAB. LINE WHITE COVER TOP LIGHT BLU 10x17*	045	210	•	
C1017LWTWS	CAB. LINE WHITE COVER TOP WHITE 10X17*	045	210	•	
C1017LWTDS	CAB. LINE WHITE COVER TOP BLACK 10X17*	045	210	•	

Ref	Width (mm)	Length (mm)	Height (mm)
C0717LWTAS	320	500	670
C0717LWTWS	320	500	670
C0717LWTDS	320	500	670
C0817LWTAS	320	500	670
C0817LWTWS	320	500	670
C0817LWTDS	320	500	670
C0917LWTAS	320	500	670
C0917LWTWS	320	500	670
C0917LWTDS	320	500	670
C1017LWTAS	320	500	670
C1017LWTWS	320	500	670
C1017LWTDS	320	500	670

Box: WxLxH	Box: Q.ty	Box: Weight	Pallet: WxLxH	Pallet: Q.ty	Pallet: Weight

Accessories

Ref	Description	Fam.	Subfam.	Disp. Stock	
PA003	WELL FOR MINI/JUNIOR 17*	045	215	•	

Ref	Description	Diameter (mm)	Height (mm)
PA003	WELL FOR MINI/JUNIOR 17*	100	340

Certificates	Manufacturer	Sectors
	MWG	Domestic



Cabinets for Softeners Top Line Series



Ref	Description	Fam.	Subfam.	Disp. Stock	
C0724LWTAS	CAB. LINE WHITE COVER TOP LIGHT BLU 7x24*	045	210	•	
C0724LWTWS	CAB. LINE WHITE COVER TOP WHITE 7X24*	045	210	•	
C0724LWTDS	CAB. LINE WHITE COVER TOP BLACK 7X24*	045	210	•	
C0824LWTAS	CAB. LINE WHITE COVER TOP LIGHT BLU 8x24*	045	210	•	
C0824LWTWS	CAB. LINE WHITE COVER TOP WHITE 8X24*	045	210	•	
C0824LWTDS	CAB. LINE WHITE COVER TOP BLACK 8X24*	045	210	•	
C0924LWTAS	CAB. LINE WHITE COVER TOP LIGHT BLU 9X24*	045	210	•	
C0924LWTWS	CAB. LINE WHITE COVER TOP WHITE 9X24*	045	210	•	
C0924LWTDS	CAB. LINE WHITE COVER TOP BLACK 9X24*	045	210	•	
C1024LWTAS	CAB. LINE WHITE COVER TOP LIGHT BLU 10x24*	045	210	•	
C1024LWTWS	CAB. LINE WHITE COVER TOP WHITE 10X24*	045	210	•	
C1024LWTDS	CAB. LINE WHITE COVER TOP BLACK 10X24*	045	210	•	

Ref	Width (mm)	Length (mm)	Height (mm)
C0724LWTAS	320	500	840
C0724LWTWS	320	500	840
C0724LWTDS	320	500	840
C0824LWTAS	320	500	840
C0824LWTWS	320	500	840
C0824LWTDS	320	500	840
C0924LWTAS	320	500	840
C0924LWTWS	320	500	840
C0924LWTDS	320	500	840
C1024LWTAS	320	500	840
C1024LWTWS	320	500	840
C1024LWTDS	320	500	840

Box: WxLxH	Box: Q.ty	Box: Weight	Pallet: WxLxH	Pallet: Q.ty	Pallet: Weight

Accessories

Ref	Description	Fam.	Subfam.	Disp. Stock	
PA075	BRINE WELL 24" NEW JUNIOR/SURF/LINE H=520 MM*	045	215	•	

Ref	Description	Diameter (mm)	Height (mm)
PA075	BRINE WELL 24" NEW JUNIOR/SURF/LINE H=520 MM*	100	520

Certificates	Manufacturer	Sectors
	MWG	Domestic



Ref	Description	Fam.	Subfam.	Disp. Stock	
C0735LWTAS	CAB. LINE WHITE COVER TOP LIGHT BLU 7x35*	045	210	•	
C0735LWTWS	CAB. LINE WHITE COVER TOP WHITE 7X35*	045	210	•	
C0735LWTDS	CAB. LINE WHITE COVER TOP BLACK 7X35*	045	210	•	
C0835LWTAS	CAB. LINE WHITE COVER TOP LIGHT BLU 8x35*	045	210	•	
C0835LWTWS	CAB. LINE WHITE COVER TOP WHITE 8X35*	045	210	•	
C0835LWTDS	CAB. LINE WHITE TOP COVER BLACK 8X35*	045	210	•	
C0935LWTAS	CAB. LINE WHITE COVER TOP LIGHT BLU 9x35*	045	210	•	
C0935LWTWS	CAB. LINE WHITE COVER TOP WHITE 9X35*	045	210	•	
C0935LWTDS	CAB. LINE WHITE COVER TOP BLACK 9X35*	045	210	•	
C1035LWTAS	CAB. LINE WHITE COVER TOP LIGHT BLU 10x35*	045	210	•	
C1035LWTWS	CAB. LINE WHITE COVER TOP WHITE 10X35*	045	210	•	
C1035LWTDS	CAB. LINE WHITE COVER TOP BLACK 10X35*	045	210	•	

Ref	Width (mm)	Length (mm)	Height (mm)
C0735LWTAS	320	500	1140
C0735LWTWS	320	500	1140
C0735LWTDS	320	500	1140
C0835LWTAS	320	500	1140
C0835LWTWS	320	500	1140
C0835LWTDS	320	500	1140
C0935LWTAS	320	500	1140
C0935LWTWS	320	500	1140
C0935LWTDS	320	500	1140
C1035LWTAS	320	500	1140
C1035LWTWS	320	500	1140
C1035LWTDS	320	500	1140

Box: WxLxH	Box: Q.ty	Box: Weight	Pallet: WxLxH	Pallet: Q.ty	Pallet: Weight

Accessories

Ref	Description	Fam.	Subfam.	Disp. Stock	
PA077	BRINE WELL FOR CAB. SURF/LINE 35*	045	215	•	

Ref	Description	Diameter (mm)	Height (mm)
PA077	BRINE WELL FOR CAB. SURF/LINE 35*	100	780

Certificates	Manufacturer	Sectors
	MWG	Domestic



Cabinets for Softeners Top Surf Series



- Tanks and covers made in European Union (Italy);
- Cabinets for residential softeners, complete with salt lid and cover of exclusive design;
- Materials: tank in HDPE, cover in polystyrene;
- Standard colours: white tank and blue, white or black cover;
- On demand and for quantities we can realize customized colours;
- EU design patent no. 003156272.

Ref	Description	Fam.	Subfam.	Disp. Stock	
C0717SWTAS	CAB. SURF WHITE COVER TOP LIGHT BLU 7x17*	045	210	•	
C0717SWTWS	CAB. SURF WHITE TOP COVER WHITE 7X17*	045	210	•	
C0717SWTDS	CAB. SURF WHITE COVER TOP BLACK 7X17*	045	210	•	
C0817SWTAS	CAB. SURF WHITE TOP COVER LIGHT BLU 8X17*	045	210	•	
C0817SWTWS	CAB. SURF WHITE COVER TOP WHITE 8X17*	045	210	•	
C0817SWTDS	CAB. SURF WHITE COVER TOP BLACK 8X17*	045	210	•	
C0917SWTAS	CAB. SURF WHITE COVER TOP LIGHT BLU 9x17*	045	210	•	
C0917SWTWS	CAB. SURF WHITE COVER TOP WHITE 9X17*	045	210	•	
C0917SWTDS	CAB. SURF WHITE COVER TOP BLACK 9X17*	045	210	•	
C1017SWTAS	CAB. SURF WHITE COVER TOP LIGHT BLU 10x17*	045	210	•	
C1017SWTWS	CAB. SURF WHITE COVER TOP WHITE 10X17*	045	210	•	
C1017SWTDS	CAB. SURF WHITE COVER TOP BLACK 10X17*	045	210	•	

Ref	Width (mm)	Length (mm)	Height (mm)
C0717SWTAS	320	500	670
C0717SWTWS	320	500	670
C0717SWTDS	320	500	670
C0817SWTAS	320	500	670
C0817SWTWS	320	500	670
C0817SWTDS	320	500	670
C0917SWTAS	320	500	670
C0917SWTWS	320	500	670
C0917SWTDS	320	500	670
C1017SWTAS	320	500	670
C1017SWTWS	320	500	670
C1017SWTDS	320	500	670

Box: WxLxH	Box: Q.ty	Box: Weight	Pallet: WxLxH	Pallet: Q.ty	Pallet: Weight

Accessories

Ref	Description	Fam.	Subfam.	Disp. Stock	
PA003	WELL FOR MINI/JUNIOR 17*	045	215	•	

Ref	Description	Diameter (mm)	Height (mm)
PA003	WELL FOR MINI/JUNIOR 17*	100	340

Certificates	Manufacturer	Sectors
	MWG	Domestic



Cabinets for Softeners Top Surf Series



Ref	Description	Fam.	Subfam.	Disp. Stock	
C0724SWTAS	CAB. SURF WHITE COVER TOP LIGHT BLU 7x24*	045	210	•	
C0724SWTWS	CAB. SURF WHITE COVER TOP WHITE 7X24*	045	210	•	
C0724SWTDS	CAB. SURF WHITE COVER TOP BLACK 7X24*	045	210	•	
C0824SWTAS	CAB. SURF WHITE COVER TOP LIGHT BLU 8x24*	045	210	•	
C0824SWTWS	CAB. SURF WHITE COVER TOP WHITE 8X24*	045	210	•	
C0824SWTDS	CAB. SURF WHITE COVER TOP BLACK 8X24*	045	210	•	
C0924SWTAS	CAB. SURF WHITE COVER TOP LIGHT BLU 9X24*	045	210	•	
C0924SWTWS	CAB. SURF WHITE COVER TOP WHITE 9X24*	045	210	•	
C0924SWTDS	CAB. SURF WHITE COVER TOP BLACK 9X24*	045	210	•	
C1024SWTAS	CAB. SURF WHITE COVER TOP LIGHT BLU 10x24*	045	210	•	
C1024SWTWS	CAB. SURF WHITE COVER TOP WHITE 10X24*	045	210	•	
C1024SWTDS	CAB. SURF WHITE COVER TOP BLACK 10X24*	045	210	•	

Ref	Width (mm)	Length (mm)	Height (mm)
C0724SWTAS	320	500	840
C0724SWTWS	320	500	840
C0724SWTDS	320	500	840
C0824SWTAS	320	500	840
C0824SWTWS	320	500	840
C0824SWTDS	320	500	840
C0924SWTAS	320	500	840
C0924SWTWS	320	500	840
C0924SWTDS	320	500	840
C1024SWTAS	320	500	840
C1024SWTWS	320	500	840
C1024SWTDS	320	500	840

Box: WxLxH	Box: Q.ty	Box: Weight	Pallet: WxLxH	Pallet: Q.ty	Pallet: Weight

Accessories

Ref	Description	Fam.	Subfam.	Disp. Stock	
PA075	BRINE WELL 24" NEW JUNIOR/SURF/LINE H=520 MM*	045	215	•	

Ref	Description	Diameter (mm)	Height (mm)
PA075	BRINE WELL 24" NEW JUNIOR/SURF/LINE H=520 MM*	100	520

Certificates	Manufacturer	Sectors
	MWG	Domestic



Ref	Description	Fam.	Subfam.	Disp. Stock	
C0735SWTAS	CAB. SURF WHITE COVER TOP LIGHT BLU 7x35*	045	210	•	
C0735SWTWS	CAB. SURF WHITE COVER TOP WHITE 7X35*	045	210	•	
C0735SWTDS	CAB. SURF WHITE COVER TOP BLACK 7X35*	045	210	•	
C0835SWTAS	CAB. SURF WHITE COVER TOP LIGHT BLU 8x35*	045	210	•	
C0835SWTWS	CAB. SURF WHITE COVER TOP WHITE 8X35*	045	210	•	
C0835SWTDS	CAB. SURF WHITE COVER TOP BLACK 8X35*	045	210	•	
C0935SWTAS	CAB. SURF WHITE COVER TOP LIGHT BLU 9x35*	045	210	•	
C0935SWTWS	CAB. SURF WHITE COVER TOP WHITE 9X35*	045	210	•	
C0935SWTDS	CAB. SURF WHITE COVER TOP BLACK 9X35*	045	210	•	
C1035SWTAS	CAB. SURF WHITE COVER TOP LIGHT BLU 10x35*	045	210	•	
C1035SWTWS	CAB. SURF WHITE COVER TOP WHITE 10X35*	045	210	•	
C1035SWTDS	CAB. SURF WHITE COVER TOP BLACK 10X35*	045	210	•	

Ref	Width (mm)	Length (mm)	Height (mm)
C0735SWTAS	320	500	1140
C0735SWTWS	320	500	1140
C0735SWTDS	320	500	1140
C0835SWTAS	320	500	1140
C0835SWTWS	320	500	1140
C0835SWTDS	320	500	1140
C0935SWTAS	320	500	1140
C0935SWTWS	320	500	1140
C0935SWTDS	320	500	1140
C1035SWTAS	320	500	1140
C1035SWTWS	320	500	1140
C1035SWTDS	320	500	1140

Box: WxLxH	Box: Q.ty	Box: Weight	Pallet: WxLxH	Pallet: Q.ty	Pallet: Weight

Accessories

Ref	Description	Fam.	Subfam.	Disp. Stock	
PA077	BRINE WELL FOR CAB. SURF/LINE 35*	045	215	•	

Ref	Description	Diameter (mm)	Height (mm)
PA077	BRINE WELL FOR CAB. SURF/LINE 35*	100	780

Certificates	Manufacturer	Sectors
	MWG	Domestic



Cabinets for Softeners Top Line Clear Series



- Tanks and covers made in European Union (Italy);
- Cabinets for residential softeners, complete with salt lid and cover of exclusive design with transparent insert;
- Materials: tank in HDPE, cover in polystyrene;
- Standard colours: white tank and blue, white or black cover;
- On demand and for quantities we can realize customized colours;
- EU design patent no. 003156272.

Ref	Description	Fam.	Subfam.	Disp. Stock	
C0717LWTPS	CAB. LINE WHITE COVER TOP CLEAR LIGHT BLU 07x17*	045	210	•	
C0717LWTZS	CAB. LINE WHITE COVER TOP CLEAR WHITE 07x17*	045	210	•	
C0717LWTTS	CAB. LINE WHITE COVER TOP CLEAR BLACK 07x17*	045	210	•	
C0817LWTPS	CAB. LINE WHITE COVER TOP CLEAR LIGHT BLU 08x17*	045	210	•	
C0817LWTZS	CAB. LINE WHITE COVER TOP CLEAR WHITE 08x17*	045	210	•	
C0817LWTTS	CAB. LINE WHITE COVER TOP CLEAR BLACK 08x17*	045	210	•	
C0917LWTPS	CAB. LINE WHITE COVER TOP CLEAR LIGHT BLU 09x17*	045	210	•	
C0917LWTZS	CAB. LINE WHITE COVER TOP CLEAR WHITE 09x17*	045	210	•	
C0917LWTTS	CAB. LINE WHITE COVER TOP CLEAR BLACK 09x17*	045	210	•	
C1017LWTPS	CAB. LINE WHITE COVER TOP CLEAR LIGHT BLU 10x17*	045	210	•	
C1017LWTZS	CAB. LINE WHITE COVER TOP CLEAR WHITE 10x17*	045	210	•	
C1017LWTTS	CAB. LINE WHITE COVER TOP CLEAR BLACK 10x17*	045	210	•	

Ref	Width (mm)	Length (mm)	Height (mm)
C0717LWTPS	320	500	670
C0717LWTZS	320	500	670
C0717LWTTS	320	500	670
C0817LWTPS	320	500	670
C0817LWTZS	320	500	670
C0817LWTTS	320	500	670
C0917LWTPS	320	500	670
C0917LWTZS	320	500	670
C0917LWTTS	320	500	670
C1017LWTPS	320	500	670
C1017LWTZS	320	500	670
C1017LWTTS	320	500	670

Box: WxLxH	Box: Q.ty	Box: Weight	Pallet: WxLxH	Pallet: Q.ty	Pallet: Weight

Accessories

Ref	Description	Fam.	Subfam.	Disp. Stock	
PA003	WELL FOR MINI/JUNIOR 17*	045	215	•	

Ref	Description	Diameter (mm)	Height (mm)
PA003	WELL FOR MINI/JUNIOR 17*	100	340

Certificates	Manufacturer	Sectors
	MWG	Domestic



Cabinets for Softeners Top Line Clear Series



Ref	Description	Fam.	Subfam.	Disp. Stock	
C0724LWTPS	CAB. LINE WHITE COVER TOP CLEAR LIGHT BLU 07X24*	045	210	•	
C0724LWTZS	CAB. LINE WHITE COVER TOP CLEAR WHITE 07x24*	045	210	•	
C0724LWTTS	CAB. LINE WHITE COVER TOP CLEAR BLACK 07x24*	045	210	•	
C0824LWTPS	CAB. LINE WHITE COVER TOP CLEAR LIGHT BLU 08X24*	045	210	•	
C0824LWTZS	CAB. LINE WHITE COVER TOP CLEAR WHITE 08x24*	045	210	•	
C0824LWTTS	CAB. LINE WHITE COVER TOP CLEAR BLACK 08x24*	045	210	•	
C0924LWTPS	CAB. LINE WHITE COVER TOP CLEAR LIGHT BLU 09X24*	045	210	•	
C0924LWTZS	CAB. LINE WHITE COVER TOP CLEAR WHITE 09x24*	045	210	•	
C0924LWTTS	CAB. LINE WHITE COVER TOP CLEAR BLACK 09x24*	045	210	•	
C1024LWTPS	CAB. LINE WHITE COVER TOP CLEAR LIGHT BLU 10X24*	045	210	•	
C1024LWTZS	CAB. LINE WHITE COVER TOP CLEAR WHITE 09x24*	045	210	•	
C1024LWTTS	CAB. LINE WHITE COVER TOP CLEAR BLACK 10x24*	045	210	•	

Ref	Width (mm)	Length (mm)	Height (mm)
C0724LWTPS	320	500	840
C0724LWTZS	320	500	840
C0724LWTTS	320	500	840
C0824LWTPS	320	500	840
C0824LWTZS	320	500	840
C0824LWTTS	320	500	840
C0924LWTPS	320	500	840
C0924LWTZS	320	500	840
C0924LWTTS	320	500	840
C1024LWTPS	320	500	840
C1024LWTZS	320	500	840
C1024LWTTS	320	500	840

Box: WxLxH	Box: Q.ty	Box: Weight	Pallet: WxLxH	Pallet: Q.ty	Pallet: Weight

Accessories

Ref	Description	Fam.	Subfam.	Disp. Stock	
PA075	BRINE WELL 24" NEW JUNIOR/SURF/LINE H=520 MM*	045	215	•	

Ref	Description	Diameter (mm)	Height (mm)
PA075	BRINE WELL 24" NEW JUNIOR/SURF/LINE H=520 MM*	100	520

Box: WxLxH	Box: Q.ty	Box: Weight	Pallet: WxLxH	Pallet: Q.ty	Pallet: Weight

Certificates	Manufacturer	Sectors
	MWG	Domestic



Ref	Description	Fam.	Subfam.	Disp. Stock	
C0735LWTPS	CAB. LINE WHITE COVER TOP CLEAR LIGHT BLU 07X35*	045	210	•	
C0735LWTZS	CAB. LINE WHITE COVER TOP CLEAR WHITE 07x35*	045	210	•	
C0735LWTTS	CAB. LINE WHITE COVER TOP CLEAR BLACK 07x35*	045	210	•	
C0835LWTPS	CAB. LINE WHITE COVER TOP CLEAR LIGHT BLU 08X35*	045	210	•	
C0835LWTZS	CAB. LINE WHITE COVER TOP CLEAR WHITE 08x35*	045	210	•	
C0835LWTTS	CAB. LINE WHITE COVER TOP CLEAR BLACK 08x35*	045	210	•	
C0935LWTPS	CAB. LINE WHITE COVER TOP CLEAR LIGHT BLU 09X35*	045	210	•	
C0935LWTZS	CAB. LINE WHITE COVER TOP CLEAR WHITE 09x35*	045	210	•	
C0935LWTTS	CAB. LINE WHITE COVER TOP CLEAR BLACK 09x35*	045	210	•	
C1035LWTPS	CAB. LINE WHITE COVER TOP CLEAR LIGHT BLU 10X35*	045	210	•	
C1035LWTZS	CAB. LINE WHITE COVER TOP CLEAR WHITE 10x35*	045	210	•	
C1035LWTTS	CAB. LINE WHITE COVER TOP CLEAR BLACK 10x35*	045	210	•	

Ref	Width (mm)	Length (mm)	Height (mm)
C0735LWTPS	320	500	1140
C0735LWTZS	320	500	1140
C0735LWTTS	320	500	1140
C0835LWTPS	320	500	1140
C0835LWTZS	320	500	1140
C0835LWTTS	320	500	1140
C0935LWTPS	320	500	1140
C0935LWTZS	320	500	1140
C0935LWTTS	320	500	1140
C1035LWTPS	320	500	1140
C1035LWTZS	320	500	1140
C1035LWTTS	320	500	1140

Box: WxLxH	Box: Q.ty	Box: Weight	Pallet: WxLxH	Pallet: Q.ty	Pallet: Weight

Accessories

Ref	Description	Fam.	Subfam.	Disp. Stock	
PA077	BRINE WELL FOR CAB. SURF/LINE 35*	045	215	•	

Ref	Description	Diameter (mm)	Height (mm)
PA077	BRINE WELL FOR CAB. SURF/LINE 35*	100	780

Box: WxLxH	Box: Q.ty	Box: Weight	Pallet: WxLxH	Pallet: Q.ty	Pallet: Weight

Certificates	Manufacturer	Sectors
	MWG	Domestic



Cabinets for Softeners Top Surf Clear Series



- Tanks and covers made in European Union (Italy);
- Cabinets for residential softeners, complete with salt lid and cover of exclusive design with transparent insert;
- Materials: tank in HDPE, cover in polystyrene;
- Standard colours: white tank and blue, white or black cover;
- On demand and for quantities we can realize customized colours;
- EU design patent no. 003156272.

Ref	Description	Fam.	Subfam.	Disp. Stock	
C0717SWTPS	CAB. SURF WHITE COVER TOP CLEAR LIGHT BLU 07x17*	045	210	•	
C0717SWTZS	CAB. SURF WHITE COVER TOP CLEAR WHITE 07x17*	045	210	•	
C0717SWTTS	CAB. SURF WHITE COVER TOP CLEAR BLACK 07x17*	045	210	•	
C0817SWTPS	CAB. SURF WHITE COVER TOP CLEAR LIGHT BLU 08x17*	045	210	•	
C0817SWTZS	CAB. SURF WHITE COVER TOP CLEAR WHITE 08x17*	045	210	•	
C0817SWTTS	CAB. SURF WHITE COVER TOP CLEAR BLACK 08x17*	045	210	•	
C0917SWTPS	CAB. SURF WHITE COVER TOP CLEAR LIGHT BLU 09x17*	045	210	•	
C0917SWTZS	CAB. SURF WHITE COVER TOP CLEAR WHITE 09x17*	045	210	•	
C0917SWTTS	CAB. SURF WHITE COVER TOP CLEAR BLACK 09x17*	045	210	•	
C1017SWTPS	CAB. SURF WHITE COVER TOP CLEAR LIGHT BLU 10x17*	045	210	•	
C1017SWTZS	CAB. SURF WHITE COVER TOP CLEAR WHITE 10x17*	045	210	•	
C1017SWTTS	CAB. SURF WHITE COVER TOP CLEAR BLACK 10x17*	045	210	•	

Ref	Width (mm)	Length(mm)	Height (mm)
C0717SWTPS	320	500	670
C0717SWTZS	320	500	670
C0717SWTTS	320	500	670
C0817SWTPS	320	500	670
C0817SWTZS	320	500	670
C0817SWTTS	320	500	670
C0917SWTPS	320	500	670
C0917SWTZS	320	500	670
C0917SWTTS	320	500	670
C1017SWTPS	320	500	670
C1017SWTZS	320	500	670
C1017SWTTS	320	500	670

Box: WxLxH	Box: Q.ty	Box: Weight	Pallet: WxLxH	Pallet: Q.ty	Pallet: Weight

Accessories

Ref	Description	Fam.	Subfam.	Disp. Stock	
PA003	WELL FOR MINI/JUNIOR 17*	045	215	•	

Ref	Description	Diameter (mm)	Height (mm)
PA003	WELL FOR MINI/JUNIOR 17*	100	340

Box: WxLxH	Box: Q.ty	Box: Weight	Pallet: WxLxH	Pallet: Q.ty	Pallet: Weight

Certificates	Manufacturer	Sectors
	MWG	Domestic



Cabinets for Softeners Top Surf Clear Series



Ref	Description	Fam.	Subfam.	Disp. Stock	
C0724SWTPS	CAB. SURF WHITE COVER TOP CLEAR LIGHT BLU 07x24*	045	210	•	
C0724SWTZS	CAB. SURF WHITE COVER TOP CLEAR WHITE 07x24*	045	210	•	
C0724SWTTS	CAB. SURF WHITE COVER TOP CLEAR BLACK 07x24*	045	210	•	
C0824SWTPS	CAB. SURF WHITE COVER TOP CLEAR LIGHT BLU 08x24*	045	210	•	
C0824SWTZS	CAB. SURF WHITE COVER TOP CLEAR WHITE 08x24*	045	210	•	
C0824SWTTS	CAB. SURF WHITE COVER TOP CLEAR BLACK 08x24*	045	210	•	
C0924SWTPS	CAB. SURF WHITE COVER TOP CLEAR LIGHT BLU 09x24*	045	210	•	
C0924SWTZS	CAB. SURF WHITE COVER TOP CLEAR WHITE 09x24*	045	210	•	
C0924SWTTS	CAB. SURF WHITE COVER TOP CLEAR BLACK 09x24*	045	210	•	
C1024SWTPS	CAB. SURF WHITE COVER TOP CLEAR LIGHT BLU 10x24*	045	210	•	
C1024SWTZS	CAB. SURF WHITE COVER TOP CLEAR WHITE 10x24*	045	210	•	
C1024SWTTS	CAB. SURF WHITE COVER TOP CLEAR BLACK 10x24*	045	210	•	

Ref	Width (mm)	Length (mm)	Height (mm)
C0724SWTPS	320	500	840
C0724SWTZS	320	500	840
C0724SWTTS	320	500	840
C0824SWTPS	320	500	840
C0824SWTZS	320	500	840
C0824SWTTS	320	500	840
C0924SWTPS	320	500	840
C0924SWTZS	320	500	840
C0924SWTTS	320	500	840
C1024SWTPS	320	500	840
C1024SWTZS	320	500	840
C1024SWTTS	320	500	840

Box: WxLxH	Box: Q.ty	Box: Weight	Pallet: WxLxH	Pallet: Q.ty	Pallet: Weight

Accessories

Ref	Description	Fam.	Subfam.	Disp. Stock	
PA075	BRINE WELL 24" NEW JUNIOR/SURF/LINE H=520 MM*	045	215	•	

Ref	Description	Diameter (mm)	Height (mm)
PA075	BRINE WELL 24" NEW JUNIOR/SURF/LINE H=520 MM*	100	520

Box: WxLxH	Box: Q.ty	Box: Weight	Pallet: WxLxH	Pallet: Q.ty	Pallet: Weight

Certificates	Manufacturer	Sectors
	MWG	Domestic



Ref	Description	Fam.	Subfam.	Disp. Stock	
C0735SWTPS	CAB. SURF WHITE COVER TOP CLEAR LIGHT BLU 07x35*	045	210	•	
C0735SWTZS	CAB. SURF WHITE COVER TOP CLEAR WHITE 07x35*	045	210	•	
C0735SWTTS	CAB. SURF WHITE COVER TOP CLEAR BLACK 07x35*	045	210	•	
C0835SWTPS	CAB. SURF WHITE COVER TOP CLEAR LIGHT BLU 08x35*	045	210	•	
C0835SWTZS	CAB. SURF WHITE COVER TOP CLEAR WHITE 08x35*	045	210	•	
C0835SWTTS	CAB. SURF WHITE COVER TOP CLEAR BLACK 08x35*	045	210	•	
C0935SWTPS	CAB. SURF WHITE COVER TOP CLEAR LIGHT BLU 09x35*	045	210	•	
C0935SWTZS	CAB. SURF WHITE COVER TOP CLEAR WHITE 09x35*	045	210	•	
C0935SWTTS	CAB. SURF WHITE COVER TOP CLEAR BLACK 09x35*	045	210	•	
C1035SWTPS	CAB. SURF WHITE COVER TOP CLEAR LIGHT BLU 10x35*	045	210	•	
C1035SWTZS	CAB. SURF WHITE COVER TOP CLEAR WHITE 10x35*	045	210	•	
C1035SWTTS	CAB. SURF WHITE COVER TOP CLEAR BLACK 10x35*	045	210	•	

Ref	Width (mm)	Length (mm)	Height (mm)
C0735SWTPS	320	500	1140
C0735SWTZS	320	500	1140
C0735SWTTS	320	500	1140
C0835SWTPS	320	500	1140
C0835SWTZS	320	500	1140
C0835SWTTS	320	500	1140
C0935SWTPS	320	500	1140
C0935SWTZS	320	500	1140
C0935SWTTS	320	500	1140
C1035SWTPS	320	500	1140
C1035SWTWS	320	500	1140
C1035SWTTS	320	500	1140

Box: WxLxH	Box: Q.ty	Box: Weight	Pallet: WxLxH	Pallet: Q.ty	Pallet: Weight

Accessories

Ref	Description	Fam.	Subfam.	Disp. Stock	
PA077	BRINE WELL FOR CAB. SURF/LINE 35*	045	215	•	

Ref	Description	Diameter (mm)	Height (mm)
PA077	BRINE WELL FOR CAB. SURF/LINE 35*	100	780

Box: WxLxH	Box: Q.ty	Box: Weight	Pallet: WxLxH	Pallet: Q.ty	Pallet: Weight

Certificates	Manufacturer	Sectors
	MWG	Domestic



Cabinets for Softeners New Crystal

- Tanks and covers made in European Union (Italy);
- Cabinets for residential softeners, complete with salt lid and cover of exclusive design with clear insert;
- Materials: tank and salt lid in HDPE; cover in polystyrene;
- Standard colours: white tank and blue, white or black cover;
- On demand and for quantities we can realize customized colours;
- EU design patent no. 003156272.



Ref	Description	Fam.	Subfam.	Disp. Stock	
C0717NWCAS	CAB. NEWMINI CRYSTAL WHITE COVER LIGHT BLU 7x17*	045	210	•	
C0717NWCWS	CAB. NEWMINI CRYSTAL WHITE COVER WHITE 7X17*	045	210	•	
C0717NWCDS	CAB. NEWMINI CRYSTAL WHITE COVER BLACK 7X17*	045	210	•	
C0817NWCAS	CAB. NEWMINI CRYSTAL WHITE COVER LIGHT BLU 8x17*	045	210	•	
C0817NWCWS	CAB. NEWMINI CRYSTAL WHITE COVER WHITE 8X17*	045	210	•	
C0817NWCDS	CAB. NEWMINI CRYSTAL WHITE COVER BLACK 8X17*	045	210	•	
C0917NWCAS	CAB. NEWMINI CRYSTAL WHITE COVER LIGHT BLU 9x17*	045	210	•	
C0917NWCWS	CAB. NEWMINI CRYSTAL WHITE COVER WHITE 9X17*	045	210	•	
C0917NWCDS	CAB. NEWMINI CRYSTAL WHITE COVER BLACK 9X17*	045	210	•	
C1017NWCAS	CAB. NEWMINI CRYSTAL WHITE COVER LIGHT BLU 10x17*	045	210	•	
C1017NWCWS	CAB. NEWMINI CRYSTAL WHITE COVER WHITE 10X17*	045	210	•	
C1017NWCDS	CAB. NEWMINI CRYSTAL WHITE COVER BLACK 10X17*	045	210	•	

Ref	Width (mm)	Length (mm)	height (mm)
C0717NWCAS	320	500	670
C0717NWCWS	320	500	670
C0717NWCDS	320	500	670
C0817NWCAS	320	500	670
C0817NWCWS	320	500	670
C0817NWCDS	320	500	670
C0917NWCAS	320	500	670
C0917NWCWS	320	500	670
C0917NWCDS	320	500	670
C1017NWCAS	320	500	670
C1017NWCWS	320	500	670
C1017NWCDS	320	500	670

Box: WxLxH	Box: Q.ty	Box: Weight	Pallet: WxLxH	Pallet: Q.ty	Pallet: Weight

Accessories

Ref	Description	Fam.	Subfam.	Disp. Stock	
PA003	WELL FOR MINI/JUNIOR 17*	045	215	•	

Ref	Description	Diameter (mm)	Height (mm)
PA003	WELL FOR MINI/JUNIOR 17*	100	342

Certificates	Manufacturer	Sectors
	MWG	Domestic



Cabinets for Softeners New Crystal



Ref	Description	Fam.	Subfam.	Disp. Stock	
C0730NWCAS	CAB. NEWMIDI CRYSTAL WHITE COVER LIGHT BLU 7x30*	045	210	•	
C0730NWCWS	CAB. NEWMIDI CRYSTAL WHITE COVER WHITE 7X30*	045	210	•	
C0730NWCDS	CAB. NEWMIDI CRYSTAL WHITE COVER BLACK 7X30*	045	210	•	
C0830NWCAS	CAB. NEWMIDI CRYSTAL WHITE COVER LIGHT BLU 8x30*	045	210	•	
C0830NWCWS	CAB. NEWMIDI CRYSTAL WHITE COVER WHITE 8X30*	045	210	•	
C0830NWCDS	CAB. NEWMIDI CRYSTAL WHITE COVER BLACK 8X30*	045	210	•	
C0930NWCAS	CAB. NEWMIDI CRYSTAL WHITE COVER LIGHT BLU 9X30*	045	210	•	
C0930NWCWS	CAB. NEWMIDI CRYSTAL WHITE COVER WHITE 9X30*	045	210	•	
C0930NWCDS	CAB. NEWMIDI CRYSTAL WHITE COVER BLACK 9X30*	045	210	•	
C1030NWCAS	CAB. NEWMIDI CRYSTAL WHITE COVER LIGHT BLU 10x30*	045	210	•	
C1030NWCWS	CAB. NEWMIDI CRYSTAL WHITE COVER WHITE 10X30*	045	210	•	
C1030NWCDS	CAB. NEWMIDI CRYSTAL WHITE COVER BLACK 10X30*	045	210	•	

Ref	Width (mm)	Length (mm)	Height (mm)
C0730NWCAS	320	500	1010
C0730NWCWS	320	500	1010
C0730NWCDS	320	500	1010
C0830NWCAS	320	500	1010
C0830NWCWS	320	500	1010
C0830NWCDS	320	500	1010
C0930NWCAS	320	500	1010
C0930NWCWS	320	500	1010
C0930NWCDS	320	500	1010
C1030NWCAS	320	500	1010
C1030NWCWS	320	500	1010
C1030NWCDS	320	500	1010

Box: WxLxH	Box: Q.ty	Box: Weight	Pallet: WxLxH	Pallet: Q.ty	Pallet: Weight

Accessories

Ref	Description	Fam.	Subfam.	Disp. Stock	
PA010	WELL DIA. 100 H=690 *	045	230	•	

Ref	Description	Diameter (mm)	Height (mm)
PA010	WELL DIA. 100 H=690 *	100	690

Certificates	Manufacturer	Sectors
	MWG	Domestic



Cabinets for Softeners New Crystal



Ref	Description	Fam.	Subfam.	Disp. Stock	
C0735NWCAS	CAB. NEWMAXI CRYSTAL WHITE COVER LIGHT BLU 7x35*	045	210	•	
C0735NWCWS	CAB. NEWMAXI CRYSTAL WHITE COVER WHITE 7X35*	045	210	•	
C0735NWCDS	CAB. NEWMAXI CRYSTAL WHITE COVER BLACK 7X35*	045	210	•	
C0835NWCAS	CAB. NEWMAXI CRYSTAL WHITE COVER LIGHT BLU 8x35*	045	210	•	
C0835NWCWS	CAB. NEWMAXI CRYSTAL WHITE COVER WHITE 8X35*	045	210	•	
C0835NWCDS	CAB. NEWMAXI CRYSTAL WHITE COVER BLACK 8X35*	045	210	•	
C0935NWCAS	CAB. NEWMAXI CRYSTAL WHITE COVER LIGHT BLU 9x35*	045	210	•	
C0935NWCWS	CAB. NEWMAXI CRYSTAL WHITE COVER WHITE 9X35*	045	210	•	
C0935NWCDS	CAB. NEWMAXI CRYSTAL WHITE COVER BLACK 9X35*	045	210	•	
C1035NWCAS	CAB. NEWMAXI CRYSTAL WHITE COVER LIGHT BLU 10x35*	045	210	•	
C1035NWCWS	CAB. NEWMAXI CRYSTAL WHITE COVER WHITE 10X35*	045	210	•	
C1035NWCDS	CAB. NEWMAXI CRYSTAL WHITE COVER BLACK 10X35*	045	210	•	

Ref	Width (mm)	Length (mm)	Height (mm)
C0735NWCAS	320	500	1140
C0735NWCWS	320	500	1140
C0735NWCDS	320	500	1140
C0835NWCAS	320	500	1140
C0835NWCWS	320	500	1140
C0835NWCDS	320	500	1140
C0935NWCAS	320	500	1140
C0935NWCWS	320	500	1140
C0935NWCDS	320	500	1140
C1035NWCAS	320	500	1140
C1035NWCWS	320	500	1140
C1035NWCDS	320	500	1140

Box: WxLxH	Box: Q.ty	Box: Weight	Pallet: WxLxH	Pallet: Q.ty	Pallet: Weight

Accessories

Ref	Description	Fam.	Subfam.	Disp. Stock	
PA005	WELL FOR MAXI*	045	215	•	

Ref	Description	Diameter (mm)	Height (mm)
PA005	WELL FOR MAXI*	100	820

Certificates	Manufacturer	Sectors
	MWG	Domestic



Cabinets for Softeners New Iceberg

- Tanks and covers made in European Union (Italy);
- Cabinets for residential softeners, complete with salt lid and cover of exclusive design with clear insert;
- Materials: tank and salt lid in HDPE; cover in polystyrene;
- Standard colours: white tank and blue, white or black cover;
- On demand and for quantities we can realize customized colours;
- EU design patent no. 003156272.

Ref	Description	Fam.	Subfam.	Disp. Stock	
C0717NWIQS	CAB. NEWMINI ICEBERG WHITE COVER LIGHT BLU/WHITE 7x17*	045	210	•	
C0817NWIQS	CAB. NEWMINI ICEBERG WHITE COVER LIGHT BLU/ WHITE 8x17*	045	210	•	
C0917NWIQS	CAB. NEWMINI ICEBERG WHITE COVER LIGHT BLU/WHITE 9x17*	045	210	•	
C1017NWIQS	CAB. NEWMINI ICEBERG WHITE COVER LIGHT BLU/WHITE 10x17*	045	210	•	

Ref	Width (mm)	Length (mm)	Height (mm)
C0717NWIQS	320	500	670
C0817NWIQS	320	500	670
C0917NWIQS	320	500	670
C1017NWIQS	320	500	670

Box: WxLxH	Box: Q.ty	Box: Weight	Pallet: WxLxH	Pallet: Q.ty	Pallet: Weight

Accessories

Ref	Description	Fam.	Subfam.	Disp. Stock	
PA003	WELL FOR MINI/JUNIOR 17*	045	215	•	

Ref	Description	Diameter (mm)	Height (mm)
PA003	WELL FOR MINI/JUNIOR 17*	100	342

Certificates	Manufacturer	Sectors
	MWG	Domestic





Cabinets for Softeners New Iceberg



Ref	Description	Fam.	Subfam.	Disp. Stock	
C0730NWIQS	CAB. NEWMIDI ICEBERG WHITE COVER LIGHT BLU/WHITE 7x30*	045	210	•	
C0830NWIQS	CAB. NEWMIDI ICEBERG WHITE COVER LIGHT BLU/WHITE 8x30*	045	210	•	
C0930NWIQS	CAB. NEWMIDI ICEBERG WHITE COVER LIGHT BLU/WHITE 9x30*	045	210	•	
C1030NWIQS	CAB. NEWMIDI ICEBERG WHITE COVER LIGHT BLU/WHITE 10x30*	045	210	•	

Ref	Width (mm)	Length (mm)	Height (mm)
C0730NWIQS	320	500	1010
C0830NWIQS	320	500	1010
C0930NWIQS	320	500	1010
C1030NWIQS	320	500	1010

Box: WxLxH	Box: Q.ty	Box: Weight	Pallet: WxLxH	Pallet: Q.ty	Pallet: Weight

Accessories

Ref	Description	Fam.	Subfam.	Disp. Stock	
PA010	WELL DIA. 100 H=690 *	045	230	•	

Ref	Description	Diameter (mm)	Height (mm)
PA010	WELL DIA. 100 H=690 *	100	690

Certificates	Manufacturer	Sectors
	MWG	Domestic



Ref	Description	Fam.	Subfam.	Disp. Stock	
C0735NWIQS	CAB. NEWMAXI ICEBERG WHITE COVER LIGHT BLU/WHITE 7x35*	045	210	•	
C0835NWIQS	CAB. NEWMAXI ICEBERG WHITE COVER LIGHT BLU/WHITE 8x35*	045	210	•	
C0935NWIQS	CAB. NEWMAXI ICEBERG WHITE COVER LIGHT BLU/WHITE 9x35*	045	210	•	
C1035NWIQS	CAB. NEWMAXI ICEBERG WHITE COVER LIGHT BLU/WHITE 10x35*	045	210	•	

Ref	Width (mm)	Length (mm)	Height (mm)
C0735NWIQS	320	500	1140
C0835NWIQS	320	500	1140
C0935NWIQS	320	500	1140
C1035NWIQS	320	500	1140

Box: WxLxH	Box: Q.ty	Box: Weight	Pallet: WxLxH	Pallet: Q.ty	Pallet: Weight

Accessories

Ref	Description	Fam.	Subfam.	Disp. Stock	
PA005	WELL FOR MAXI*	045	215	•	

Ref	Description	Diameter (mm)	Height (mm)
PA005	WELL FOR MAXI*	100	820

Certificates	Manufacturer	Sectors
	MWG	Domestic



Cabinet for Softeners Ocean Series

- Tanks and covers made in European Union (Italy);
- Cabinets for residential softeners, complete with salt lid and cover of exclusive design with clear insert;
- Materials: tank and salt lid in HDPE; cover in polystyrene;
- Standard colours: white tank and blue, white or black cover;
- On demand and for quantities we can realize customized colours;
- EU design patent no. 003156272.



Ref	Description	Fam.	Subfam.	Disp. Stock
C0717NWOAS	CAB. NEWMINI OCEAN WHITE COVER LIGHT BLU 7X17*	045	210	•
C0717NWOWS	CAB. NEWMINI OCEAN WHITE COVER WHITE 7X17*	045	210	•
C0717NWODS	CAB. NEWMINI OCEAN WHITE COVER BLACK 7X17*	045	210	•
C0817NWOAS	CAB. NEWMINI OCEAN WHITE COVER LIGHT BLU 8X17*	045	210	•
C0817NWOWS	CAB. NEWMINI OCEAN WHITE COVER WHITE 8X17*	045	210	•
C0817NWODS	CAB. NEWMINI OCEAN WHITE COVER BLACK 8X17*	045	210	•
C0917NWOAS	CAB. NEWMINI OCEAN WHITE COVER LIGHT BLU 9X17*	045	210	•
C0917NWOWS	CAB. NEWMINI OCEAN WHITE COVER WHITE 9X17*	045	210	•
C0917NWODS	CAB. NEWMINI OCEAN WHITE COVER BLACK 9X17*	045	210	•
C1017NWOAS	CAB. NEWMINI OCEAN WHITE COVER LIGHT BLU 10X17*	045	210	•
C1017NWOWS	CAB. NEWMINI OCEAN WHITE COVER WHITE 10X17*	045	210	•
C1017NWODS	CAB. NEWMINI OCEAN WHITE COVER BLACK 10X17*	045	210	•

Ref	Width (mm)	Length (mm)	Height (mm)
C0717NWOAS	320	500	670
C0717NWOWS	320	500	670
C0717NWODS	320	500	670
C0817NWOAS	320	500	670
C0817NWOWS	320	500	670
C0817NWODS	320	500	670
C0917NWOAS	320	500	670
C0917NWOWS	320	500	670
C0917NWODS	320	500	670
C1017NWOAS	320	500	670
C1017NWOWS	320	500	670
C1017NWODS	320	500	670

Box: WxLxH	Box: Q.ty	Box: Weight	Pallet: WxLxH	Pallet: Q.ty	Pallet: Weight

Accessories

Ref	Description	Fam.	Subfam.	Disp. Stock
PA003	WELL FOR MINI/JUNIOR 17*	045	215	•

Ref	Description	Diameter (mm)	Height (mm)
PA003	WELL FOR MINI/JUNIOR 17*	100	342

Certificates	Manufacturer	Sectors
	MWG	Domestic



Ref	Description	Fam.	Subfam.	Disp. Stock	
C0730NWOAS	CAB. NEWMIDI OCEAN WHITE COVER LIGHT BLU 7X30*	045	210	•	
C0730NWOWS	CAB. NEWMIDI OCEAN WHITE COVER WHITE 7X30*	045	210	•	
C0730NWODS	CAB. NEWMIDI OCEAN WHITE COVER BLACK 7X30*	045	210	•	
C0830NWOAS	CAB. NEWMIDI OCEAN WHITE COVER LIGHT BLU 8X30*	045	210	•	
C0830NWOWS	CAB. NEWMIDI OCEAN WHITE COVER WHITE 8X30*	045	210	•	
C0830NWODS	CAB. NEWMIDI OCEAN WHITE COVER BLACK 8X30*	045	210	•	
C0930NWOAS	CAB. NEWMIDI OCEAN WHITE COVER LIGHT BLU 9X30*	045	210	•	
C0930NWOWS	CAB. NEWMIDI OCEAN WHITE COVER WHITE 9X30 *	045	210	•	
C0930NWODS	CAB. NEWMIDI OCEAN WHITE COVER BLACK 9X30*	045	210	•	
C1030NWOAS	CAB. NEWMIDI OCEAN WHITE COVER LIGHT BLU 10X30*	045	210	•	
C1030NWOWS	CAB. NEWMIDI OCEAN WHITE COVER WHITE 10X30*	045	210	•	
C1030NWODS	CAB. NEWMIDI OCEAN WHITE COVER BLACK 10X30*	045	210	•	

Ref	Width (mm)	Length (mm)	Height (mm)
C0730NWOAS	320	500	1010
C0730NWOWS	320	500	1010
C0730NWODS	320	500	1010
C0830NWOAS	320	500	1010
C0830NWOWS	320	500	1010
C0830NWODS	320	500	1010
C0930NWOAS	320	500	1010
C0930NWOWS	320	500	1010
C0930NWODS	320	500	1010
C1030NWOAS	320	500	1010
C1030NWOWS	320	500	1010
C1030NWODS	320	500	1010

Box: WxLxH	Box: Q.ty	Box: Weight	Pallet: WxLxH	Pallet: Q.ty	Pallet: Weight

Accessories

Ref	Description	Fam.	Subfam.	Disp. Stock	
PA010	WELL DIA. 100 H=690 *	045	230	•	

Ref	Description	Diameter (mm)	Height (mm)
PA010	WELL DIA. 100 H=690 *	100	690

Certificates	Manufacturer	Sectors
	MWG	Domestic



Ref	Description	Fam.	Subfam.	Disp. Stock	
C0735NWOAS	CAB. NEWMAXI OCEAN WHITE COVER LIGHT BLU 7X35*	045	210	•	
C0735NWOWS	CAB. NEWMAXI OCEAN WHITE COVER WHITE 7X35*	045	210	•	
C0735NWODS	CAB. NEWMAXI OCEAN WHITE COVER BLACK 7X35*	045	210	•	
C0835NWOAS	CAB. NEWMAXI OCEAN WHITE COVER LIGHT BLU 8X35*	045	210	•	
C0835NWOWS	CAB. NEWMAXI OCEAN WHITE COVER WHITE 8X35*	045	210	•	
C0835NWODS	CAB. NEWMAXI OCEAN WHITE COVER BLACK 8X35*	045	210	•	
C0935NWOAS	CAB. NEWMAXI OCEAN WHITE COVER LIGHT BLU 9X35*	045	210	•	
C0935NWOWS	CAB. NEWMAXI OCEAN WHITE COVER WHITE 9X35*	045	210	•	
C0935NWODS	CAB. NEWMAXI OCEAN WHITE COVER BLACK 9X35*	045	210	•	
C1035NWOAS	CAB. NEWMAXI OCEAN WHITE COVER LIGHT BLU 10X35*	045	210	•	
C1035NWOWS	CAB. NEWMAXI OCEAN WHITE COVER WHITE 10X35*	045	210	•	
C1035NWODS	CAB. NEWMAXI OCEAN WHITE COVER BLACK 10X35*	045	210	•	

Ref	Width (mm)	Length (mm)	Height (mm)
C0735NWOAS	320	500	1140
C0735NWOWS	320	500	1140
C0735NWODS	320	500	1140
C0835NWOAS	320	500	1140
C0835NWOWS	320	500	1140
C0835NWODS	320	500	1140
C0935NWOAS	320	500	1140
C0935NWOWS	320	500	1140
C0935NWODS	320	500	1140
C1035NWOAS	320	500	1140
C1035NWOWS	320	500	1140
C1035NWODS	320	500	1140

Box: WxLxH	Box: Q.ty	Box: Weight	Pallet: WxLxH	Pallet: Q.ty	Pallet: Weight

Accessories

Ref	Description	Fam.	Subfam.	Disp. Stock	
PA005	WELL FOR MAXI*	045	215	•	

Ref	Description	Diameter (mm)	Height (mm)
PA005	WELL FOR MAXI*	100	820

Box: WxLxH	Box: Q.ty	Box: Weight	Pallet: WxLxH	Pallet: Q.ty	Pallet: Weight

Certificates	Manufacturer	Sectors
	MWG	Domestic



Cabinets for Softeners Logix Series

- Tanks and covers made in European Union (Italy);
- Cabinets for residential softeners, complete with salt lid and cover for integrate installation of LOGIX control AUTOTROL valves;
- Materials: tank and salt lid in HDPE; cover in polystyrene;
- Standard colours: white tank and blue, white or black cover;
- On demand and for quantities we can realize customized colours;
- EU design patent no. 003156272.



Ref	Description	Fam.	Subfam.	Disp. Stock
C0717NWLAS	CAB. NEWMINI LOGIX WHITE COVER LIGHT BLU 7X17*	045	210	•
C0717NWLWS	CAB. NEWMINI LOGIX WHITE COVER WHITE 7X17*	045	210	•
C0717NWLDS	CAB. NEWMINI LOGIX WHITE COVER BLACK 7X17*	045	210	•
C0817NWLAS	CAB. NEWMINI LOGIX WHITE COVER LIGHT BLU 8X17*	045	210	•
C0817NWLWS	CAB. NEWMINI LOGIX WHITE COVER WHITE 8X17*	045	210	•
C0817NWLDS	CAB. NEWMINI LOGIX WHITE COVER BLACK 8X17*	045	210	•
C0917NWLAS	CAB. NEWMINI LOGIX WHITE COVER LIGHT BLU 9X17*	045	210	•
C0917NWLWS	CAB. NEWMINI LOGIX WHITE COVER WHITE 9X17*	045	210	•
C0917NWLDS	CAB. NEWMINI LOGIX WHITE COVER BLACK 9X17*	045	210	•
C1017NWLAS	CAB. NEWMINI LOGIX WHITE COVER LIGHT BLU 10X17*	045	210	•
C1017NWLWS	CAB. NEWMINI LOGIX WHITE COVER WHITE 10X17*	045	210	•
C1017NWLDS	CAB. NEWMINI LOGIX WHITE COVER BLACK 10X17*	045	210	•

Ref	Width (mm)	Length (mm)	Height (mm)
C0717NWLAS	320	500	670
C0717NWLWS	320	500	670
C0717NWLDS	320	500	670
C0817NWLAS	320	500	670
C0817NWLWS	320	500	670
C0817NWLDS	320	500	670
C0917NWLAS	320	500	670
C0917NWLWS	320	500	670
C0917NWLDS	320	500	670
C1017NWLAS	320	500	670
C1017NWLWS	320	500	670
C1017NWLDS	320	500	670

Accessories

Ref	Description	Fam.	Subfam.	Disp. Stock
PA003	WELL FOR MINI/JUNIOR 17*	045	215	•

Ref	Description	Diameter (mm)	Height (mm)
PA003	WELL FOR MINI/JUNIOR 17*	100	342

Certificates	Manufacturer	Sectors
	MWG	Domestic



Cabinets for Softeners Logix Series



Ref	Description	Fam.	Subfam.	Disp. Stock	
C0730NWLAS	CAB. NEWMIDI LOGIX WHITE COVER LIGHT BLU 7X30*	045	210	•	
C0730NWLWS	CAB. NEWMIDI LOGIX WHITE COVER WHITE 7X30*	045	210	•	
C0730NWLDS	CAB. NEWMIDI LOGIX WHITE COVER BLACK 7X30*	045	210	•	
C0830NWLAS	CAB. NEWMIDI LOGIX WHITE COVER LIGHT BLU 8X30*	045	210	•	
C0830NWLWS	CAB. NEWMIDI LOGIX WHITE COVER WHITE 8X30*	045	210	•	
C0830NWLDS	CAB. NEWMIDI LOGIX WHITE COVER BLACK 8X30*	045	210	•	
C0930NWLAS	CAB. NEWMIDI LOGIX WHITE COVER LIGHT BLU 9X30*	045	210	•	
C0930NWLWS	CAB. NEWMIDI LOGIX WHITE COVER WHITE 9X30 *	045	210	•	
C0930NWLDS	CAB. NEWMIDI LOGIX WHITE COVER BLACK 9X30 *	045	210	•	
C1030NWLAS	CAB. NEWMIDI LOGIX WHITE COVER LIGHT BLU 10X30*	045	210	•	
C1030NWLWS	CAB. NEWMIDI LOGIX WHITE COVER WHITE 10X30*	045	210	•	
C1030NWLDS	CAB. NEWMIDI LOGIX WHITE COVER BLACK 10X30*	045	210	•	

Ref	Width (mm)	Length (mm)	Height (mm)
C0730NWLAS	320	500	1010
C0730NWLWS	320	500	1010
C0730NWLDS	320	500	1010
C0830NWLAS	320	500	1010
C0830NWLWS	320	500	1010
C0830NWLDS	320	500	1010
C0930NWLAS	320	500	1010
C0930NWLWS	320	500	1010
C0930NWLDS	320	500	1010
C1030NWLAS	320	500	1010
C1030NWLWS	320	500	1010
C1030NWLDS	320	500	1010

Box: WxLxH	Box: Q.ty	Box: Weight	Pallet: WxLxH	Pallet: Q.ty	Pallet: Weight

Accessories

Ref	Description	Fam.	Subfam.	Disp. Stock	
PA010	WELL DIA. 100 H=690 *	045	230	•	

Ref	Description	Diameter (mm)	Height (mm)
PA010	WELL DIA. 100 H=690 *	100	690

Certificates	Manufacturer	Sectors
	MWG	Domestic



Ref	Description	Fam.	Subfam.	Disp. Stock	
C0735NWLAS	CAB. NEWMAXI LOGIX WHITE COVER LIGHT BLU 7X35*	045	210	•	
C0735NWLWS	CAB. NEWMAXI LOGIX WHITE COVER WHITE 7X35*	045	210	•	
C0735NWLDS	CAB. NEWMAXI LOGIX WHITE COVER BLACK 7X35*	045	210	•	
C0835NWLAS	CAB. NEWMAXI LOGIX WHITE COVER LIGHT BLU 8X35*	045	210	•	
C0835NWLWS	CAB. NEWMAXI LOGIX WHITE COVER WHITE 8X35*	045	210	•	
C0835NWLDS	CAB. NEWMAXI LOGIX WHITE COVER BLACK 8X35*	045	210	•	
C0935NWLAS	CAB. NEWMAXI LOGIX WHITE COVER LIGHT BLU 9X35*	045	210	•	
C0935NWLWS	CAB. NEWMAXI LOGIX WHITE COVER WHITE 9X35*	045	210	•	
C0935NWLDS	CAB. NEWMAXI LOGIX WHITE COVER BLACK 9X35*	045	210	•	
C1035NWLAS	CAB. NEWMAXI LOGIX WHITE COVER LIGHT BLU 10X35*	045	210	•	
C1035NWLWS	CAB. NEWMAXI LOGIX WHITE COVER WHITE 10X35*	045	210	•	
C1035NWLDS	CAB. NEWMAXI LOGIX WHITE COVER BLACK 10X35*	045	210	•	

Ref	Width (mm)	Length (mm)	Height (mm)
C0735NWLAS	320	500	1140
C0735NWLWS	320	500	1140
C0735NWLDS	320	500	1140
C0835NWLAS	320	500	1140
C0835NWLWS	320	500	1140
C0835NWLDS	320	500	1140
C0935NWLAS	320	500	1140
C0935NWLWS	320	500	1140
C0935NWLDS	320	500	1140
C1035NWLAS	320	500	1140
C1035NWLWS	320	500	1140
C1035NWLDS	320	500	1140

Box: WxLxH	Box: Q.ty	Box: Weight	Pallet: WxLxH	Pallet: Q.ty	Pallet: Weight

Accessories

Ref	Description	Fam.	Subfam.	Disp. Stock	
PA005	WELL FOR MAXI*	045	215	•	

Ref	Description	Diameter (mm)	Height (mm)
PA005	WELL FOR MAXI*	100	820

Certificates	Manufacturer	Sectors
	MWG	Domestic



Cabinets for Softeners Crystal Series

- Tanks and covers made in European Union (Italy);
- Cabinets for residential softeners, complete with salt lid and cover of exclusive design with clear insert;
- Materials: tank and salt lid in HDPE; cover in polystyrene;
- Standard colours: white tank and blue, white or black cover;
- On demand and for quantities we can realize customized colours;
- EU design patent no. 003156272.



Ref	Description	Fam.	Subfam.	Disp. Stock
C0717EWCAS	CAB. MINI CRYSTAL WHITE COVER LIGHT BLU 7X17*	045	210	•
C0717EWCWS	CAB. MINI CRYSTAL WHITE COVER WHITE 7X17*	045	210	•
C0717EWCDS	CAB. MINI CRYSTAL WHITE COVER BLACK 7X17*	045	210	•
C0817EWCAS	CAB. MINI CRYSTAL WHITE COVER LIGHT BLU 8X17*	045	210	•
C0817EWCWS	CAB. MINI CRYSTAL WHITE COVER WHITE 8X17*	045	210	•
C0817EWCDS	CAB. MINI CRYSTAL WHITE COVER BLACK 8X17*	045	210	•
C0917EWCAS	CAB. MINI CRYSTAL WHITE COVER LIGHT BLU 9X17*	045	210	•
C0917EWCWS	CAB. MINI CRYSTAL WHITE COVER WHITE 9X17*	045	210	•
C0917EWCDS	CAB. MINI CRYSTAL WHITE COVER BLACK 9X17*	045	210	•
C1017EWCAS	CAB. MINI CRYSTAL WHITE COVER LIGHT BLU 10X17*	045	210	•
C1017EWCWS	CAB. MINI CRYSTAL WHITE COVER WHITE 10X17*	045	210	•
C1017EWCDS	CAB. MINI CRYSTAL WHITE COVER BLACK 10X17*	045	210	•

Ref	Width (mm)	Length (mm)	Height (mm)
C0717EWCAS	320	500	670
C0717EWCWS	320	500	670
C0717EWCDS	320	500	670
C0817EWCAS	320	500	670
C0817EWCWS	320	500	670
C0817EWCDS	320	500	670
C0917EWCAS	320	500	670
C0917EWCWS	320	500	670
C0917EWCDS	320	500	670
C1017EWCAS	320	500	670
C1017EWCWS	320	500	670
C1017EWCDS	320	500	670

Box: WxLxH	Box: Q.ty	Box: Weight	Pallet: WxLxH	Pallet: Q.ty	Pallet: Weight

Accessories

Ref	Description	Fam.	Subfam.	Disp. Stock
PA003	WELL FOR MINI/JUNIOR 17*	045	215	•

Ref	Description	Diameter (mm)	Height (mm)
PA003	WELL FOR MINI/JUNIOR 17*	100	342

Certificates	Manufacturer	Sectors
	MWG	Domestic



Ref	Description	Fam.	Subfam.	Disp. Stock	
C0735EWCAS	CAB. MAXI CRYSTAL WHITE COVER LIGHT BLU 7X35*	045	210	•	
C0735EWCWS	CAB. MAXI CRYSTAL WHITE COVER WHITE 7X35*	045	210	•	
C0735EWCDS	CAB. MAXI CRYSTAL WHITE COVER BLACK 7X35*	045	210	•	
C0835EWCAS	CAB. MAXI CRYSTAL WHITE COVER LIGHT BLU 8X35*	045	210	•	
C0835EWCWS	CAB. MAXI CRYSTAL WHITE COVER WHITE 8X35*	045	210	•	
C0835EWCDS	CAB. MAXI CRYSTAL WHITE COVER BLACK 8X35*	045	210	•	
C0935EWCAS	CAB. MAXI CRYSTAL WHITE COVER LIGHT BLU 9X35*	045	210	•	
C0935EWCWS	CAB. MAXI CRYSTAL WHITE COVER WHITE 9X35*	045	210	•	
C0935EWCDS	CAB. MAXI CRYSTAL WHITE COVER BLACK 9X35*	045	210	•	
C1035EWCAS	CAB. MAXI CRYSTAL WHITE COVER LIGHT BLU 10X35*	045	210	•	
C1035EWCWS	CAB. MAXI CRYSTAL WHITE COVER WHITE 10X35*	045	210	•	
C1035EWCDS	CAB. MAXI CRYSTAL WHITE COVER BLACK 10X35*	045	210	•	

Ref	Width (mm)	Length (mm)	Height (mm)
C0735EWCAS	320	500	1140
C0735EWCWS	320	500	1140
C0735EWCDS	320	500	1140
C0835EWCAS	320	500	1140
C0835EWCWS	320	500	1140
C0835EWCDS	320	500	1140
C0935EWCAS	320	500	1140
C0935EWCWS	320	500	1140
C0935EWCDS	320	500	1140
C1035EWCAS	320	500	1140
C1035EWCWS	320	500	1140
C1035EWCDS	320	500	1140

Box: WxLxH	Box: Q.ty	Box: Weight	Pallet: WxLxH	Pallet: Q.ty	Pallet: Weight

Accessories

Ref	Description	Fam.	Subfam.	Disp. Stock	
PA005	WELL FOR MAXI*	045	215	•	

Ref	Description	Diameter (mm)	Height (mm)
PA005	WELL FOR MAXI*	100	820

Certificates	Manufacturer	Sectors
	MWG	Domestic



Cabinets for Softeners Iceberg Series

- Tanks and covers made in European Union (Italy);
- Cabinets for residential softeners, complete with salt lid and cover of exclusive design;
- Materials: tank and salt lid in HDPE; cover in polystyrene;
- Standard colours: white tank and blue (or white or black) cover with white insert;
- On demand and for quantities we can realize customized colours;
- EU design patent no. 003156272.



Ref	Description	Fam.	Subfam.	Disp. Stock	
C0717EWIQS	CAB. MINI ICEBERG WHITE COVER LIGHT BLU/WHITE 7X17*	045	210	•	
C0817EWIQS	CAB. MINI ICEBERG WHITE COVER LIGHT BLU/WHITE 8X17*	045	210	•	
C0917EWIQS	CAB. MINI ICEBERG WHITE COVER LIGHT BLU/WHITE 9X17*	045	210	•	
C1017EWIQS	CAB. MINI ICEBERG WHITE COVER LIGHT BLU/WHITE 10X17*	045	210	•	

Ref	Width (mm)	Length (mm)	Height (mm)
C0717EWIQS	320	500	670
C0817EWIQS	320	500	670
C0917EWIQS	320	500	670
C1017EWIQS	320	500	670

Box: WxLxH	Box: Q.ty	Box: Weight	Pallet: WxLxH	Pallet: Q.ty	Pallet: Weight

Certificates	Manufacturer	Sectors
	MWG	Domestic



Ref	Description	Fam.	Subfam.	Disp. Stock	
C0735EWIQS	CAB. MAXI ICEBERG WHITE COVER LIGHT BLU/WHITE 7X35*	045	210	•	
C0835EWIQS	CAB. MAXI ICEBERG WHITE COVER LIGHT BLU/WHITE 8X35*	045	210	•	
C0935EWIQS	CAB. MAXI ICEBERG WHITE COVER LIGHT BLU/WHITE 9X35*	045	210	•	
C1035EWIQS	CAB. MAXI ICEBERG WHITE COVER LIGHT BLU/WHITE 10X35*	045	210	•	

Ref	Width (mm)	Length (mm)	Height (mm)
C0735EWIQS	320	500	1140
C0835EWIQS	320	500	1140
C0935EWIQS	320	500	1140
C1035EWIQS	320	500	1140

Box: WxLxH	Box: Q.ty	Box: Weight	Pallet: WxLxH	Pallet: Q.ty	Pallet: Weight

Certificates	Manufacturer	Sectors
	MWG	Domestic



Cabinets for Softeners Iceberg Series

Accessories

Ref	Description	Fam.	Subfam.	Disp. Stock	
PA003	WELL FOR MINI/JUNIOR 17*	045	215	•	

Ref	Description	Diameter (mm)	Height (mm)
PA003	WELL FOR MINI/JUNIOR 17*	100	342

Box: WxLxH	Box: Q.ty	Box: Weight	Pallet: WxLxH	Pallet: Q.ty	Pallet: Weight

Accessories

Ref	Description	Fam.	Subfam.	Disp. Stock	
PA005	WELL FOR MAXI*	045	215	•	

Ref	Description	Diameter (mm)	Height (mm)
PA005	WELL FOR MAXI*	100	820

Box: WxLxH	Box: Q.ty	Box: Weight	Pallet: WxLxH	Pallet: Q.ty	Pallet: Weight



Cabinets for Softeners Joker Series

- Tanks and covers made in European Union (Italy);
- JOKER brine/resin tanks that can be combined in special bi-blocs cabinets;
- Capacity as brine tank 82 liters;
- Suitable to fit 7" - 8" - 9" - 10" x 35" tanks as resin tank;
- Overall dimensions 310 x 310 mm height 900 mm;
- Materials: tank in HDPE; cover in ABS;
- Standard colours: white tank and blue, white or black cover;
- On demand and for quantities we can realize customized colours;
- EU design patent no. 003156272.



JOKER A



JOKER B



Cab.JOKER

Ref	Description	Fam.	Subfa m.	Disp. Stock	
C0735AWJAX	CAB. JOKER WHITE COVER LIGHT BLU 7X35*	045	210	•	
C0735AWJWX	CAB. JOKER WHITE COVER WHITE 7X35*	045	210	•	
C0735AWJDX	CAB. JOKER WHITE COVER BLACK 7X35*	045	210	•	
C0835AWJAX	CAB. JOKER WHITE COVER LIGHT BLU 8X35*	045	210	•	
C0835AWJWX	CAB. JOKER WHITE COVER WHITE 8X35*	045	210	•	
C0835AWJDX	CAB. JOKER WHITE COVER BLACK 8X35*	045	210	•	
C0935AWJAX	CAB. JOKER WHITE COVER LIGHT BLU 9X35*	045	210	•	
C0935AWJWX	CAB. JOKER WHITE COVER WHITE 9X35*	045	210	•	
C0935AWJDX	CAB. JOKER WHITE COVER BLACK 9X35*	045	210	•	
C1035AWJAX	CAB. JOKER WHITE COVER LIGHT BLU 10X35*	045	210	•	
C1035AWJWX	CAB. JOKER WHITE COVER WHITE 10X35*	045	210	•	
C1035AWJDX	CAB. JOKER WHITE COVER BLACK 10X35*	045	210	•	

Box: WxLxH	Box: Q.ty	Box: Weight	Pallet: WxLxH	Pallet: Q.ty	Pallet: Weight

Accessories

Ref	Description	Fam.	Subfa m.	Disp. Stock	
PA005	WELL FOR MAXI*	045	215	•	

Ref	Description	Diameter (mm)	Height (mm)
PA005	WELL FOR MAXI*	100	820

Certificates	Manufacturer	Sectors
	MWG	Domestic

Joker brine tanks

Ref	Description	Fam.	Subfa m.	Disp. Stock	
T0082AWAA	BRINE TANK JOKER A WHITE BODY LIGHT BLU COVER*	045	220	•	
T0082AWAW	BRINE TANK JOKER A WHITE BODY WHITE COVER*	045	220	•	
T0082AWAD	BRINE TANK JOKER A WHITE BODY BLACK COVER *	045	220	•	
T0082BWBA	BRINE TANK JOKER B WHITE BODY LIGHT BLU COVER*	045	220	•	
T0082BWBW	BRINE TANK JOKER B WHITE BODY WHITE COVER*	045	220	•	
T0082BWBD	BRINE TANK JOKER B WHITE BODY BLACK COVER*	045	220	•	

Box: WxLxH	Box: Q.ty	Box: Weight	Pallet: WxLxH	Pallet: Q.ty	Pallet: Weight

Certificates	Manufacturer	Sectors
	MWG	Domestic



Cabinets for Softeners New Series



- Tanks and salt lids made in European Union (Italy); - Cabinets for residential softeners;
- Materials: tank in HDPE; salt lid in polystyrene; - Standard colours: tank and salt lid white;
- On demand and for quantities we can realize customized colours; - EU design patent no. 003156272.

Ref	Description	Fam.	Subfa m.	Disp. Stock	
C0717NWXXS	CAB. NEWMINI WHITE W/O COVER 7X17*	045	210	•	
C0817NWXXS	CAB. NEWMINI WHITE W/O COVER 8X17*	045	210	•	
C0917NWXXS	CAB. NEWMINI WHITE W/O COVER 9X17*	045	210	•	
C1017NWXXS	CAB. NEWMINI WHITE W/O COVER 10X17*	045	210	•	

Ref	Width (mm)	Length (mm)	Height (mm)
C0717NWXXS	320	500	435
C0817NWXXS	320	500	435
C0917NWXXS	320	500	435
C1017NWXXS	320	500	435

Box: WxLxH	Box: Q.ty	Box: Weight	Pallet: WxLxH	Pallet: Q.ty	Pallet: Weight

Accessories

Ref	Description	Fam.	Subfa m.	Disp. Stock	
PA003	WELL FOR MINI/JUNIOR 17*	045	215	•	

Ref	Description	Diameter (mm)	Height (mm)
PA003	WELL FOR MINI/JUNIOR 17*	100	342

Ref	Description	Fam.	Subfa m.	Disp. Stock	
C0730NWXXS	CAB. NEWMIDI WHITE W/O COVER 7X30*	045	210	•	
C0830NWXXS	CAB. NEWMIDI WHITE W/O COVER 8X30*	045	210	•	
C0930NWXXS	CAB. NEWMIDI WHITE W/O COVER 9X30*	045	210	•	
C1030NWXXS	CAB. NEWMIDI WHITE W/O COVER 10X30*	045	210	•	

Ref	Width (mm)	Length (mm)	Height (mm)
C0730NWXXS	320	500	775
C0830NWXXS	320	500	775
C0930NWXXS	320	500	775
C1030NWXXS	320	500	775

Box: WxLxH	Box: Q.ty	Box: Weight	Pallet: WxLxH	Pallet: Q.ty	Pallet: Weight

Accessories

Ref	Description	Fam.	Subfa m.	Disp. Stock	
PA010	WELL DIA. 100 H=690 *	045	230	•	

Ref	Description	Diameter (mm)	Height (mm)
PA010	WELL DIA. 100 H=690 *	100	690

Certificates	Manufacturer	Sectors
	MWG	Domestic



Ref	Description	Fam.	Subfam.	Disp. Stock	
C0735NWXXS	CAB. NEWMAXI WHITE W/O COVER 7X35*	045	210	•	
C0835NWXXS	CAB. NEWMAXI WHITE W/O COVER 8X35*	045	210	•	
C0935NWXXS	CAB. NEWMAXI WHITE W/O COVER 9X35*	045	210	•	
C1035NWXXS	CAB. NEWMAXI WHITE W/O COVER 10X35*	045	210	•	

Ref	Width (mm)	Length (mm)	Height (mm)
C0735NWXXS	320	500	895
C0835NWXXS	320	500	895
C0935NWXXS	320	500	895
C1035NWXXS	320	500	895

Box: WxLxH	Box: Q.ty	Box: Weight	Pallet: WxLxH	Pallet: Q.ty	Pallet: Weight

Accessories

Ref	Description	Fam.	Subfam.	Disp. Stock	
PA005	WELL FOR MAXI*	045	215	•	

Ref	Description	Diameter (mm)	Height (mm)
PA005	WELL FOR MAXI*	100	820

Certificates	Manufacturer	Sectors
	MWG	Domestic



Cabinets for Softeners New Series



- Tanks and salt lids made in European Union (Italy);
- Cabinets for residential softeners;
- Materials: tank in HDPE; salt lid in polystyrene;
- Standard colours: tank and salt lid white;
- On demand and for quantities we can realize customized colours;
- EU design patent no. 003156272.

Ref	Description	Fam.	Subfam.	Disp. Stock	
C0717EWXXS	CAB. MINI WHITE W/O COVER 7X17*	045	210	•	
C0817EWXXS	CAB. MINI WHITE W/O COVER 8X17*	045	210	•	
C0917EWXXS	CAB. MINI WHITE W/O COVER 9X17*	045	210	•	
C1017EWXXS	CAB. MINI WHITE W/O COVER 10X17*	045	210	•	

Ref	Width (mm)	Length (mm)	Height (mm)
C0717EWXXS	320	500	435
C0817EWXXS	320	500	435
C0917EWXXS	320	500	435
C1017EWXXS	320	500	435

Box: WxLxH	Box: Q.ty	Box: Weight	Pallet: WxLxH	Pallet: Q.ty	Pallet: Weight

Accessories

Ref	Description	Fam.	Subfam.	Disp. Stock	
PA003	WELL FOR MINI/JUNIOR 17*	045	215	•	

Ref	Description	Diameter (mm)	Height (mm)
PA003	WELL FOR MINI/JUNIOR 17*	100	342

Certificates	Manufacturer	Sectors
	MWG	Domestic



Ref	Description	Fam.	Subfam.	Disp. Stock	
C0735EWXXS	CAB. MAXI WHITE W/O COVER 7X35*	045	210	•	
C0835EWXXS	CAB. MAXI WHITE W/O COVER 8X35*	045	210	•	
C0935EWXXS	CAB. MAXI WHITE W/O COVER 9X35*	045	210	•	
C1035EWXXS	CAB. MAXI WHITE W/O COVER 10X35*	045	210	•	

Ref	Width (mm)	Length (mm)	Height (mm)
C0735EWXXS	320	500	895
C0835EWXXS	320	500	895
C0935EWXXS	320	500	895
C1035EWXXS	320	500	895

Box: WxLxH	Box: Q.ty	Box: Weight	Pallet: WxLxH	Pallet: Q.ty	Pallet: Weight

Accessories

Ref	Description	Fam.	Subfam.	Disp. Stock	
PA005	WELL FOR MAXI*	045	215	•	

Ref	Description	Diameter (mm)	Height (mm)
PA005	WELL FOR MAXI*	100	342

Certificates	Manufacturer	Sectors
	MWG	Domestic

EUROTROL®

WATER TREATMENT COMPONENTS



MWG brine tanks

INDEX



Residential Square Brine Tank



- Made in European Union (Italy);
- Brine tank material HDPE;
- Complete with cover in ABS;
- Dimensions 380 x 380 mm, height 790 mm;
- Capacity 85 liters;
- Available multiple packaging of 30 pcs per pallet;
- EU design patent no. 003156272.

Ref	Description	Fam.	Subfam.	Disp. Stock	
T0085QWQA	SQUARE BRINE TANK LT 85 WHITE BODY LIGHT BLU COVER*	045	220	•	
T0085QWQW	SQUARE BRINE TANK WHITE BODY WHITE COVER*	045	220	•	
T0085QWQD	SQUARE BRINE TANK WHITE BODY BLACK COVER*	045	220	•	

Ref	Description	Tank colour	Cover colour
T0085QWQA	SQUARE BRINE TANK LT 85 WHITE BODY LIGHT BLU COVER*	White	Blue
T0085QWQW	SQUARE BRINE TANK WHITE BODY WHITE COVER*	White	White
T0085QWQD	SQUARE BRINE TANK WHITE BODY BLACK COVER*	White	Black

Box: WxLxH	Box: Q.ty	Box: Weight	Pallet: WxLxH	Pallet: Q.ty	Pallet: Weight

Certificates	Manufacturer	Sectors
	MWG	Domestic



Accessories: Salt grid

- Made in European Union (Italy);
- Material HDPE;
- Height 200 mm;
- Hole for brine well diameter 100 mm;
- Salt gride holes 3 mm.

Ref	Description	Fam.	Subfam.	Disp. Stock	
PC006	SALT GRIDE FOR SQUARE BRINE TANK*	045	230	•	

Box: WxLxH	Box: Q.ty	Box: Weight	Pallet: WxLxH	Pallet: Q.ty	Pallet: Weight

Certificates	Manufacturer	Sectors
	MWG	Domestic

Brine well

- Material PVC with cover;
- Diameter 100 mm;
- Height 640 mm.

Ref	Description	Fam.	Subfam.	Disp. Stock	
PA007	WELL FOR SQUARE BRINE TANK *	045	230	•	

Box: WxLxH	Box: Q.ty	Box: Weight	Pallet: WxLxH	Pallet: Q.ty	Pallet: Weight

Certificates	Manufacturer	Sectors
		Domestic



Residential Round Brine Tanks



- Made in European Union (Italy);
- Brine tanks complete with cover;
- Material PE medium density, rotomolded;
- Single or multiple packaging of 20 pcs per pallet for 100 liters and 140 liters brine tanks and 16 pcs per pallet for 190 liters brine tanks;
- Colour white opaque UVA ray resistant;
- Cover colours available: white, blue or black;
- EU design patent no. 003156272.

Ref	Description	Fam.	Subfam.	Disp. Stock	
T0100CWCW	BRINE TANK LT 100 WHITE BODY WITHE COVER- NEW *	045	221	•	
T0100CWCA	BRINE TANK LT 100 WHITE BODY LIGHT BLU COVER- NEW *	045	221	•	
T0100CWCD	BRINE TANK LT 100 WHITE BODY BLACK COVER - NEW *	045	221	•	

Ref	Capacity (liters)	Cover colour	A (mm)	B (mm)	C (mm)
T0100CWCW	100	WHITE	460	616	565
T0100CWCA	100	LIGHT BLU	460	616	565
T0100CWCD	100	BLACK	460	616	565

Box: WxLxH	Box: Q.ty	Box: Weight	Pallet: WxLxH	Pallet: Q.ty	Pallet: Weight
			105x105x230	24	110

Certificates	Manufacturer	Sectors
	MWG	Domestic, Commercial

Ref	Description	Fam.	Subfam.	Disp. Stock	
T0140CWCW	BRINE TANK LT 140 WHITE BODY WHITE COVER- NEW*	045	221	•	
T0140CWCA	BRINE TANK LT 140 WHITE BODY LIGHT BLU COVER- NEW*	045	221	•	
T0140CWCD	BRINE TANK LT 140 WHITE BODY BLACK COVER - NEW*	045	221	•	

Ref	Capacity (Liters)	Cover colour	A (mm)	B (mm)	C (mm)
T0140CWCW	140	WHITE	460	843	565
T0140CWCA	140	LIGHT BLU	460	843	565
T0140CWCD	140	BLACK	460	843	565

Box: WxLxH	Box: Q.ty	Box: Weight	Pallet: WxLxH	Pallet: Q.ty	Pallet: Weight
			105x105x225	20	140

Certificates	Manufacturer	Sectors
	MWG	Domestic, Commercial



Ref	Description	Fam.	Subfam.	Disp. Stock	
T0190CWCW	BRINE TANK LT 190 WHITE BODY WHITE COVER- NEW*	045	222	•	
T0190CWCA	BRINE TANK LT 190 WHITE BODY LIGHT BLU COVER- NEW*	045	222	•	
T0190CWCD	BRINE TANK LT 190 WHITE BODY BLACK COVER- NEW*	045	222	•	

Ref	Capacity (liters)	Cover color	A (mm)	B (mm)	C (mm)
T0190CWCW	190	WHITE	460	1123	565
T0190CWCA	190	LIGHT BLU	460	1123	565
T0190CWCD	190	BLACK	460	1123	565

Box: WxLxH	Box: Q.ty	Box: Weight	Pallet: WxLxH	Pallet: Q.ty	Pallet: Weight
			105x105x230	16	130

Certificates	Manufacturer	Sectors
	MWG	Domestic, Commercial



Residential Round Brine Tanks

Accessories: Salt grid

- Made in European Union (Italy);
- Material PE medium density;
- Hole for brine well diameter 100 mm;
- Salt gride holes ~ 3 mm.



Ref	Description	Fam.	Subfa m.	Disp. Stock	
PC031	SALT GRIDE FOR BRINE TANK LT 140-190 H=130	045	230	•	

Ref	Description	Height (mm)	Diameter (mm)
PC031	SALT GRIDE FOR BRINE TANK LT 140-190 H=130	130	475

Box: WxLxH	Box: Q.ty	Box: Weight	Pallet: WxLxH	Pallet: Q.ty	Pallet: Weight

Certificates	Manufacturer	Sectors
	MWG	Domestic



Ref	Description	Fam.	Subfa m.	Disp. Stock	
PC032	SALT GRIDE BRINE TANK LT 140-190 H=200 *	045	230	•	

Ref	Description	Height (mm)	Diameter (mm)
PC032	SALT GRIDE BRINE TANK LT 140-190 H=200 *	200	475

Box: WxLxH	Box: Q.ty	Box: Weight	Pallet: WxLxH	Pallet: Q.ty	Pallet: Weight

Certificates	Manufacturer	Sectors
	MWG	Domestic



Ref	Description	Fam.	Subfa m.	Disp. Stock	
PC033	SALT GRIDE FOR BRINE TANK LT 140-190 H=270 *	045	230	•	

Ref	Description	Height (mm)	Diameter (mm)
PC033	SALT GRIDE FOR BRINE TANK LT 140-190 H=270 *	270	475

Box: WxLxH	Box: Q.ty	Box: Weight	Pallet: WxLxH	Pallet: Q.ty	Pallet: Weight

Certificates	Manufacturer	Sectors
	MWG	Domestic



Residential Round Brine Tanks

Brine well

- Material PVC with cover;
- Diameter 100 mm

Ref	Description	Fam.	Subfam.	Disp. Stock	
PA075	BRINE WELL 24" NEW JUNIOR/SURF/LINE H=520 MM*	045	215	•	

Ref	Description	Height (mm)	For brine tanks (liters)
PA075	BRINE WELL 24" NEW JUNIOR/SURF/LINE H=520 MM*	520	100

Box: WxLxH	Box: Q.ty	Box: Weight	Pallet: WxLxH	Pallet: Q.ty	Pallet: Weight

Certificates	Manufacturer	Sectors
		Domestic

Ref	Description	Fam.	Subfam.	Disp. Stock	
PA010	WELL DIA. 100 H=690 *	045	215	•	

Ref	Description	Height (mm)	For brine tanks (liters)
PA010	WELL DIA. 100 H=690 *	690	140

Box: WxLxH	Box: Q.ty	Box: Weight	Pallet: WxLxH	Pallet: Q.ty	Pallet: Weight

Certificates	Manufacturer	Sectors
		Domestic

Ref	Description	Fam.	Subfam.	Disp. Stock	
PA015	WELL DIA. 100 H = 970 *	045	230	•	

Ref	Description	Height (mm)	For brine tanks (liters)
PA015	WELL DIA. 100 H = 970 *	970	190

Box: WxLxH	Box: Q.ty	Box: Weight	Pallet: WxLxH	Pallet: Q.ty	Pallet: Weight

Certificates	Manufacturer	Sectors
		Domestic



Industrial Round Brine Tanks



- Made in European Union (Italy);
- Brine tanks complete with cover;
- Material PE medium density, rotomolded;
- Single or multiple packaging of 3 pcs per pallet;
- Colour white opaque UVA ray resistant;
- Cover colours available: white, blue or black;
- EU design patent no. 003156272.

Ref	Description	Fam.	Subfam.	Disp. Stock	Price Euro
T0340CWCW	BRINE TANK LT 340 WHITE BODY WHITE COVER- NEW*	045	223	•	184,64
T0340CWCA	BRINE TANK LT 340 WHITE BODY LUGHT BLU COVER- NEW*	045	223	•	184,64
T0340CWCD	BRINE TANK LT 340 WHITE BODY BLACK COVER - NEW*	045	223	•	184,64

Ref	Capacity (liters)	Cover color	A (mm)	B (mm)	C (mm)
T0340CWCW	340	White	594	1200	723
T0340CWCA	340	Light Blu	594	1200	723
T0340CWCD	340	Black	594	1200	723

Box: WxLxH	Box: Q.ty	Box: Weight	Pallet: WxLxH	Pallet: Q.ty	Pallet: Weight
			80x80x215	3	40

Certificates	Manufacturer	Sectors
	MWG	Commercial, Industrial

Ref	Description	Fam.	Subfam.	Disp. Stock	Price Euro
T0460CWCW	BRINE TANK LT 460 WHITE BODY WHITE COVER - NEW*	045	223	•	265,50
T0460CWCA	BRINE TANK LT 460 WHITE BODY LIGHT BLU- NEW	045	223	•	265,50
T0460CWCD	BRINE TANK LT 460 WHITE BODY BLACK COVER - NEW*	045	223	•	265,50

Ref	Capacity (liters)	Cover color	A (mm)	B (mm)	C (mm)
T0460CWCW	460	White	703	1196	833
T0460CWCA	460	Light Blu	703	1196	833
T0460CWCD	460	Black	703	1196	833

Box: WxLxH	Box: Q.ty	Box: Weight	Pallet: WxLxH	Pallet: Q.ty	Pallet: Weight
			80x80x210	3	55

Certificates	Manufacturer	Sectors
	MWG	Commercial, Industrial



Industrial Round Brine Tanks

Accessories: Salt grid

- Made in European Union (Italy);
- Material PE medium density;
- Hole for brine well diameter 160 mm;
- Salt gride holes Ø = 5 mm.



Ref	Description	Fam.	Subfa m.	Disp. Stock	
PC070	SALT GRIDE FOR BRINE TANK LT 340 H=375	045	230	•	
PC071	SALT GRIDE BRINE TANK 460 LT H=375	045	230	•	

Ref	Height (mm)	Diameter (mm)	For brine tanks (liters)
PC070	375	600	340
PC071	375	700	460

Box: WxLxH	Box: Q.ty	Box: Weight	Pallet: WxLxH	Pallet: Q.ty	Pallet: Weight

Certificates	Manufacturer	Sectors
	MWG	Commercial, Industrial

Brine well

- Material PVC with cover;
- Diameter 160 mm;
- Height 1050 mm.

Ref	Description	Fam.	Subfa m.	Disp. Stock	
PA016	WELL DIAMETER 160X1050 MM.*	045	230	•	

Box: WxLxH	Box: Q.ty	Box: Weight	Pallet: WxLxH	Pallet: Q.ty	Pallet: Weight

Certificates	Manufacturer	Sectors
		Commercial, Industrial



Industrial Round Brine Tanks



- Made in European Union (Italy);
- Brine tanks complete with cover;
- Material PE medium density, rotomolded;
- Single or multiple packaging of 3 pcs per pallet;
- Colour white opaque UVA ray resistant;
- Cover colours available: white, blue or black;
- EU design patent no. 003156272.

Ref	Description	Fam.	Subfam.	Disp. Stock	Price Euro
T0670CWCW	BRINE TANK LT 670 WHITE BODY WHITE COVER- NEW*	045	224	•	371,49
T0670CWCA	BRINE TANK LT 670 WHITE BODY LIGHT BLU COVER- NEW*	045	224	•	371,49
T0670CWCD	BRINE TANK LT 670 WHITE BODY BLACK COVER - NEW*	045	224	•	371,49

Ref	Capacity (liters)	Cover color	A (mm)	B (mm)	C (mm)
T0670CWCW	670	White	847	1196	973
T0670CWCA	670	Light Blu	847	1196	973
T0670CWCD	670	Black	847	1196	973

Box: WxLxH	Box: Q.ty	Box: Weight	Pallet: WxLxH	Pallet: Q.ty	Pallet: Weight
			80x80x210	3	70

Certificates	Manufacturer	Sectors
	MWG	Industrial

Ref	Description	Fam.	Subfam.	Disp. Stock	Price Euro
T0920CWCW	BRINE TANK LT 920 WHITE BODY WHITE COVER - NEW*	045	224	•	474,17
T0920CWCA	BRINE TANK LT 920 WHITE BODY LIGHT BLU COVER- NEW*	045	224	•	474,17
T0920CWCD	BRINE TANK LT 920 WHITE BODY BLACK COVER- NEW*	045	224	•	474,17

Ref	Capacity (liters)	Cover color	A (mm)	B (mm)	C (mm)
T0920CWCW	920	White	997	1206	1123
T0920CWCA	920	Light Blu	997	1206	1123
T0920CWCD	920	Black	997	1206	1123

Box: WxLxH	Box: Q.ty	Box: Weight	Pallet: WxLxH	Pallet: Q.ty	Pallet: Weight
			105x105x235	3	85

Certificates	Manufacturer	Sectors
	MWG	Industrial



Industrial Round Brine Tanks

Accessories: Salt grid

- Made in European Union (Italy);
- Material PE medium density;
- Hole for brine well diameter 160 mm;
- Salt grille holes $\varnothing = 5$ mm.



Ref	Description	Fam.	Subfam.	Disp. Stock	
PC072	SALT GRIDE BRINE TANK LT 670 H=375	045	230	•	
PC073	SALT GRIDE BRINE TANK LT 920 H=375	045	230	•	

Ref	Height (mm)	Diameter (mm)	For brine tanks (liters)
PC072	375	835	670
PC073	375	1010	920

Box: WxLxH	Box: Q.ty	Box: Weight	Pallet: WxLxH	Pallet: Q.ty	Pallet: Weight

Certificates	Manufacturer	Sectors
	MWG	Industrial

Brine well

- Material PVC with cover;
- Diameter 160 mm;
- Height 1050 mm.

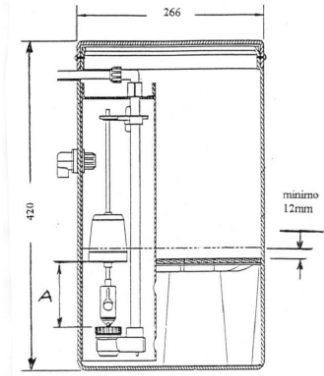
Ref	Description	Fam.	Subfam.	Disp. Stock	
PA016	WELL DIAMETER 160X1050 MM.*	045	230	•	

Box: WxLxH	Box: Q.ty	Box: Weight	Pallet: WxLxH	Pallet: Q.ty	Pallet: Weight

Certificates	Manufacturer	Sectors
		Industrial



Potassium Permanganate Feeder



- Feeder for potassium permanganate solution, to realize automatic iron removal systems with manganese greensand;
- Complete with floating valve, well, special grid for permanganate, overflow, safety screw for cover;
- Material: polyethylene;
- Dimensions: diameter 266 mm, height 420 mm;
- Storage KMnO4 capacity: 13,6 kg;
- Connection for 3/8" tubing;
- Colour black.

Float setting:

- Suggested dose of regenerant: 2 ÷ 4 g KMnO4 per greensand liter KMnO4 solution: 30 g/l at 10°C 60 g/l at 22°C
- Minimum A floating setting at 108 mm is equivalent to 4 liters of solution.

Ref	Description	Fam.	Subfam.	Disp. Stock	
AV120	COMPLETE PERMANGANATE FEEDER FOR 255FA -268FA	010	062	•	

Certificates	Manufacturer	Sectors
		Domestic

EUROTROL®

WATER TREATMENT COMPONENTS



MWG
CSM, TORAY,
VONTRON
membranes
reverse osmosis
and Ultra Filtration

INDEX

MWG Membranes



Ref	Description	Fam.	Subfam.	Disp. Stock	
MMRO1812-50	MWG 1.8" MEMBRANE RO1812-50	030	151	•	
MMRO1812-75	MWG 1.8" MEMBRANE RO1812-75	030	151	•	
MMRO2012-100	MWG 2" MEMBRANE RO2012-100	030	151	•	
MMRO2012-150	MWG 2" MEMBRANE RO2012-150	030	151	•	
MMRO2812-200	MWG 2.8" MEMBRANE RO2812-200	030	156	•	
MMRO3012-300	MWG 3" MEMBRANE RO3012-300	030	156	•	
MMRO3012-400	MWG 3" MEMBRANE RO3012-400	030	156	•	
MMNF1812	MWG 1.8" MEMBRANE NF-1812	030	151	•	
MMNF2012	MWG 2" MEMBRANE NF-2012	030	151	•	
MMNF3012	MWG 3" MEMBRANE NF-3012	030	156	•	
MMXLP2521	MWG 2.5" MEMBRANE XLP-2521	030	161	•	
MMXLP2540	MWG 2.5" MEMBRANE XLP-2540	030	161	•	
MMXLP4021	MWG 4" MEMBRANE XLP-4021	030	162	•	
MMXLP4040	MWG 4" MEMBRANE XLP-4040	030	162	•	
MMXLP8040	MWG 8" MEMBRANE XLP-8040	035	163	•	
MMXLP8040HR	MWG 8" MEMBRANE XLP-8040HR	035	163	•	
MMULP2540	MWG 2.5" MEMBRANE ULP-2540	030	161	•	
MMULP4021	MWG 4" MEMBRANE ULP-4021	030	162	•	
MMULP4040	MWG 4" MEMBRANE ULP-4040	030	162	•	
MMULP4040HR	MWG 4" MEMBRANE ULP-4040MR	030	162	•	
MMULP4040MR	MWG 4" MEMBRANE ULP-4040MR	030	162	•	
MMULP8040	MWG 8" MEMBRANE ULP-8040	035	163	•	
MMULP8040MR	MWG 8" MEMBRANE ULP-8040MR	035	163	•	
MMBW4040	MWG 4" MEMBRANE BW-4040	030	162	•	
MMBW4040FR	MWG 4" MEMBRANE BW-4040FR	030	162	•	
MMBW8040	MWG 8" MEMBRANE BW-8040	035	163	•	
MMBW8040FR	MWG 8" MEMBRANE BW-8040FR	035	163	•	
MMBW8040HR	MWG 8" MEMBRANE BW-8040HR	035	163	•	
MMSW2521	MWG 2.5" MEMBRANE SW-2521	030	161	•	
MMSW2540	MWG 2.5" MEMBRANE SW-2540	030	161	•	
MMSW4021	MWG 4" MEMBRANE SW-4021	030	162	•	
MMSW4040	MWG 4" MEMBRANE SW-4040	030	162	•	
MMSW4040HR	MWG 4" MEMBRANE SW-4040HR	030	162	•	
MMSW8040	MWG 8" MEMBRANE SW-8040	035	163	•	
MMSW8040HR	MWG 8" MEMBRANE SW-8040HR	035	163	•	
MMSW8040MR	MWG 8" MEMBRANE SW-8040MR	035	163	•	
MMNF2-2540	MWG 2.5" MEMBRANE NF2-2540	030	161	•	
MMNF1-4040R	MWG 4" MEMBRANE NF2-4040	030	162	•	
MMNF2-4040	MWG 4" MEMBRANE NF2-4040	030	162	•	
MMNF2-8040	MWG 8" MEMBRANE NF2-8040	035	163	•	

MWG Membranes

Ref	Mod.	Permeate flow rate GPD (m ³ /d)	Rejection NaCl (%)	Effective area m ² (ft ²)	Spacer (mil)	Test	NSF
MMRO1812-50	TW RO	50 (0,19)	98,0	0,37 (4)	X	1	58
MMRO1812-75	TW RO	75 (0,28)	98,0	0,37 (4)	X	1	58
MMRO2012-100	TW RO	100 (0,38)	98,0	0,56 (6)	X	1	58
MMRO2012-150	TW RO	150 (0,57)	98,0	0,56 (6)	X	1	58
MMRO2812-200	TW RO	200 (0,76)	98,0	0,93 (10)	X	1	58
MMRO3012-300	TW RO	300 (1,14)	98,0	1,3 (14)	X	1	58
MMRO3012-400	TW RO	400 (1,52)	98,0	1,3 (14)	X	1	58
MMNF1812	TW NF	100 (0,38) 100 (0,38)	30-5096,0	0,37 (4)	X	2	X
MMNF2012	TW NF	150 (0,57) 150 (0,57)	30-5096,0	0,56 (6)	X	2	X
MMNF3012	TW NF	350 (1,32) 350 (1,32)	30-5096,0	1,3 (14)	X	2	X
MMXLP2521	XLP	300 (1,13)	99,2	1,3 (14)	X	3	X
MMXLP2540	XLP	600 (2,27)	99,2	2,5 (27)	X	3	X
MMXLP4021	XLP	800 (3,04)	99,2	3,4 (36)	X	3	X
MMXLP4040	XLP	2.400 (9,1)	99,2	7,9 (85)	X	4	X
MMXLP8040	XLP	11.000 (41,6)	99,2	37,2 (400)	X	4	X
MMXLP8040HR	XLP	9.000 (34,1)	99,3	35,3 (380)	X	4	X
MMULP2540	LP	750 (2,84)	99,3	2,5 (27)	X	5	X
MMULP4021	LP	950 (3,6)	99,3	3,4 (36)	X	5	61
MMULP4040	LP	2.600 (9,8)	99,3	7,9 (85)	X	5	61
MMULP4040HR	LP	1.800 (6,8)	99,7	7,9 (85)	X	5	61
MMULP4040MR	LP	2.200 (8,3)	99,6	7,9 (85)	X	5	61
MMULP8040	LP	12.000 (45,4)	99,3	39 (420)	X	5	61
MMULP8040MR	LP	10.000 (37,8)	99,6	37,2 (400)	X	5	X
MMBW4040	BW	2.400 (9,1)	99,6	7,9 (85)	X	6	61
MMBW4040FR	BW	2.000 (7,6)	99,7	7,2 (78)	X	6	X
MMBW8040	BW	10.500 (39,7)	99,6	37,2 (400)	X	6	61
MMBW8040FR	BW	9.000 (34,1)	99,7	34 (365)	X	6	X
MMBW8040HR	BW	9.500 (35,9)	99,7	35,5 (380)	X	6	X
MMSW2521	SW	300 (1,13)	99,7	1,3 (14)	X	7	58
MMSW2540	SW	600 (2,27)	99,7	2,5 (27)	X	7	58
MMSW4021	SW	800 (3,04)	99,7	3,4 (36)	X	7	58
MMSW4040	SW	1.800 (6,8)	99,7	7,9 (85)	X	7	58
MMSW4040HR	SW	1.500 (5,7)	99,7	7,2 (78)	X	7	58
MMSW8040	SW	8.500 (32,1)	99,7	37,2 (400)	X	7	58
MMSW8040HR	SW	6.500 (24,6)	99,7	35,3 (380)	X	7	58
MMSW8040MR	SW	7.500 (28,3)	99,7	37,2 (400)	X	7	X
MMNF2-2540	NF	800 (3,04) 800 (3,04)	30-50 96,0	2,5 (27)	X	8	X
MMNF1-4040R	NF	1.800 (6,8) 1.800 (6,8)	> 85 99,0	7,9 (85)	X	8	X
MMNF2-4040	NF	2.400 (9,1) 2.400 (9,1)	30-50 96,0	7,9 (85)	X	8	X
MMNF2-8040	NF	12.000 (45,4) 12.000 (45,4)	30-50 96,0	37,2 (400)	X	8	X
Certificates		Manufacturer			Sectors		
DM174-2004		MWG			Domestic, Commercial, Industrial		



MWG Membranes

Test condition	Pressure (psi)	Temperature of solution NaCl (°C)	Concentration of NaCl solution (ppm)	Concentration of MgSO4 solution (ppm)	pH	Recovery rate (%)
1	60	25	250	-	7,5-8,0	15
2	60	25	250	250	7,5-8,0	15
3	100	25	500	-	7,5-8,0	8
4	100	25	500	-	7,5-8,0	15
5	150	25	500	-	7,5-8,0	15
6	225	25	2000	-	7,5-8,0	15
7	800	25	32000	-	7,5-8,0	8
8	70	25	500	2000	7,5-8,0	15

TW RO: Residential RO - **XLP:** Extra Low Pressure - **BW:** Brackish Water - **NF:** Nano Filtration - **TW NF:** Industrial NF - **LP:** Low Pressure - **SW:** Sea Water

CSM Membranes



Ref	Description	Fam.	Subfam.	Disp. Stock	
MCRE1812-50	CSM 1.8" MEMBRANE RE1812-50	030	150	•	
MCRE1812-60	CSM 1.8" MEMBRANE RE1812-60	030	150	•	
MCRE1812-80	CSM 1.8" MEMBRANE RE1812-80	030	150	•	
MCRE1812-HR+	CSM 1.8" MEMBRANE RE1812-HR+	030	150	•	
MCRE2012-100	CSM 2" MEMBRANE RE2012-100	030	150	•	
MCRE2012-150	CSM 2" MEMBRANE RE2012-150	030	150	•	
MCRE2012-400	CSM 2" MEMBRANE RE2012-400	030	150	•	
MCRE2012-LP	CSM 2" MEMBRANE RE2012-LP	030	150	•	
MCRE2012-LPF	CSM 2" MEMBRANE RE2012-LPF	030	150	•	
MCRE2812-300	CSM 2.8" MEMBRANE RE2812-300	030	155	•	
MCRE3012-500	CSM 3" MEMBRANE RE3012-500	030	165	•	
MCRE3512-TK	CSM 3.5" MEMBRANE RE3512-TK	030	155	•	
MCNE1812	CSM 1.8" MEMBRANE NE1812	030	150	•	
MCRE2514-TL	CSM 2.5" MEMBRANE RE2514-TL	030	160	•	
MCRE2514-TLF	CSM 2.5" MEMBRANE RE2514-TLF	030	160	•	
MCRE2521-BLN	CSM 2.5" MEMBRANE RE2521-BLN	030	160	•	
MCRE2521-BLF	CSM 2.5" MEMBRANE RE2521-BLF	030	160	•	
MCRE2540-BLN	CSM 2.5" MEMBRANE RE2540-BLN	030	160	•	
MCRE2540-BLF	CSM 2.5" MEMBRANE RE2540-BLF	030	160	•	
MCRE2540-BLR	CSM 2.5" MEMBRANE RE2540-BLR	030	160	•	
MCRE4021-BLN	CSM 4" MEMBRANE RE4021-BLN	030	165	•	
MCRE4021-BLF	CSM 4" MEMBRANE RE4021-BLF	030	165	•	
MCRE4040-BLN	CSM 4" MEMBRANE RE4040-BLN	030	165	•	
MCRE4040-BLF	CSM 4" MEMBRANE RE4040-BLF	030	165	•	



CSM Membranes

Ref	Mod.	Permeate flow rate GPD (m ³ /d)	Rejection NaCl (%)	Effective area m2 (ft2)	Spacer (mil)	Test	NSF
MCRE1812-50	TW RO	50 (0,19)	98		X	6	58
MCRE1812-60	TW RO	60 (0,22)	98		X	6	58
MCRE1812-80	TW RO	80 (0,30)	98		X	6	58
MCRE1812-HR+	TW RO	80 (0,30)	99		X	6	58
MCRE2012-100	TW RO	100 (0,38)	98		X	6	58
MCRE2012-150	TW RO	150 (0,57)	98	0,59 (6,4)	X	6	58
MCRE2012-400	TW RO	400 (1,52)	96		X	6	58
MCRE2012-LP	TW RO	50 (0,19)	93		X	7	58
MCRE2012-LPF	TW RO	60 (0,22)	93		X	7	58
MCRE2812-300	TW RO	300 (1,14)	96		X	10	58
MCRE3012-500	TW RO	500 (1,90)	97		X	10	x
MCRE3512-TK	TW RO	600 (2,27)	95		X	9	58
MCNE1812	TW NF	80 (0,30)	40-60		X	8	x
MCRE2514-TL	LP	250 (0,94)	97,5	0,65 (7)	X	2	X
MCRE2514-TLF	LP	250 (0,94)	96,5	0,65 (7)	X	3	X
MCRE2521-BLN	LP	400 (1,52)	99,2	1,1 (12)	X	2	X
MCRE2521-BLF	LP	350 (1,32)	99,2	1,1 (12)	X	3	X
MCRE2540-BLN	LP	930 (3,50)	99,2	2,5 (27)	X	2	x
MCRE2540-BLF	LP	800 (3,04)	99,2	2,5 (27)	X	3	x
MCRE2540-BLR	LP	740 (2,80)	99,6	2,5 (27)	X	2	x
MCRE4021-BLN	LP	1200 (4,50)	99,2	3,3 (35)	X	2	x
MCRE4021-BLF	LP	1050 (3,88)	99,2	3,3 (35)	X	3	61
MCRE4040-BLN	LP	2600 (9,62)	99,2	7,9 (85)	X	2	61
MCRE4040-BLF	LP	2500 (9,25)	99,2	7,9 (85)	X	3	61

CSM Membranes

Ref	Description	Fam.	Subfam.	Disp. Stock	
MCRE4040-BLR	CSM 4" MEMBRANE RE4040-BLR	030	165	•	
MCRE8040-BLN	CSM 8" MEMBRANE RE8040-BLN	035	190	•	
MCRE8040-BLN440	CSM 8" MEMBRANE RE8040-BLN440	035	190	•	
MCRE8040-BLR	CSM 8" MEMBRANE RE8040-BLR	035	190	•	
MCRE8040-BLR440	CSM 8" MEMBRANE RE8040-BLR440	035	190	•	
MCRE8040-BLF	CSM 8" MEMBRANE RE8040-BLF	035	190	•	
MCRE8040-BLF440	CSM 8" MEMBRANE RE8040-BLF440	035	190	•	
MCRE2521-BE	CSM 2.5" MEMBRANE RE2521-BE	030	160	•	
MCRE2540-BE	CSM 2.5" MEMBRANE RE2540-BE	030	160	•	
MCRE4021-BE	CSM 4" MEMBRANE RE4021-BE	030	165	•	
MCRE4040-BE	CSM 4" MEMBRANE RE4040-BE	030	165	•	
MCRE8040-BN	CSM 8" MEMBRANE RE8040-BN	035	190	•	
MCRE8040-BE	CSM 8" MEMBRANE RE8040-BE	035	190	•	
MCRE8040-BE440	CSM 8" MEMBRANE RE8040-BE440	035	190	•	
MCRE8040-BR	CSM 8" MEMBRANE RE8040-BR	035	190	•	
MCRE8040-BR400	CSM 8" MEMBRANA RE8040-BR400	035	190		
MCRE4040-BLR	CSM 4" MEMBRANE RE4040-BLR	030	165	•	
MCRE2540-FEn	CSM 2.5" MEMBRANE RE2540-FEn	030	160	•	
MCRE4040-FEn	CSM 4" MEMBRANE RE4040-Fen	030	165	•	
MCRE4040-FLR	CSM 4" MEMBRANE RE4040-FLR	030	165	•	
MCRE8040-FEn34	CSM 8" MEMBRANE RE8040-FEn34	035	190	•	
MCRE8040-FEn	CSM 8" MEMBRANE RE8040-FEn	035	190	•	
MCRE8040-FEN440	CSM 8" MEMBRANA RE8040-FEn440	035	190		
MCRE8040-FL	CSM 8" MEMBRANE RE8040-FL	035	190		
MCRE8040-FLR34	CSM 8" MEMBRANE RE8040-FLR	035	190	•	

CSM Membranes

Ref	Mod.	Permeate flow rate GPD (m ³ /d)	Rejection NaCl (%)	Effective area m2 (ft2)	Spacer (mil)	Test	NSF
MCRE4040-BLR	LP	2100 (7,70)	99,6	7,9 (85)	X	2	61
MCRE8040-BLN	LP	12000 (45,4)	99,5	45,4 (400)	x	2	61
MCRE8040-BLN440	LP	13000 (48,1)	99,5	40,9 (440)	x	2	61
MCRE8040-BLR	LP	10000 (37,9)	99,6	37,2 (400)	x	2	61
MCRE8040-BLR440	LP	11000 (41,6)	99,6	40,9 (440)	x	2	61
MCRE8040-BLF	LP	11500 (42,6)	99,2	37,2 (400)	x	3	61
MCRE8040-BLF440	LP	12650 (46,8)	99,2	40,9 (440)	x	3	61
MCRE2521-BE	BW	400 (1,52)	99,5	1,1 (12)	x	1	x
MCRE2540-BE	BW	1000 (3,80)	99,5	2,5 (27)	x	1	x
MCRE4021-BE	BW	1200 (3,80)	99,5	3,3 (35)	x	1	x
MCRE4040-BE	BW	2400 (8,88)	99,7	7,9 (85)	x	1	61
MCRE8040-BN	BW	9500 (35,1)	99,7	33,9 (365)	x	1	61
MCRE8040-BE	BW	11000 (40,7)	99,7	37,2 (400)	x	1	61
MCRE8040-BE440	BW	12000 (44,4)	99,7	40,9 (440)	x	1	61
MCRE8040-BR	BW	6000 (22,2)	99,75	35,3 (380)	x	1	x
MCRE8040-BR400	BW	6000 (22,2)	99,75	37,2 (400)	x	1	x
MCRE4040-BLR	CR	2280 (8,43)	99	7,9 (85)	x	1	61
MCRE2540-FEn	FR	1000 (3,80)	99,5	2,5 (27)	x	1	x
MCRE4040-FEn	FR	2400 (8,88)	99,7	7,9 (85)	x	1	x
MCRE4040-FLR	FR	2100 (7,90)	99,6	7,9 (85)	x	1	x
MCRE8040-FEn34	FR	11000 (40,7)	99,7	37,2 (400)	34	1	61
MCRE8040-FEn	FR	11000 (40,7)	99,7	37,2 (400)	32	1	61
MCRE8040-FEN440	FR	12000 (44,4)	99,7	40,9 (440)	28	1	61
MCRE8040-FL	FR	11000 (40,7)	99	37,2 (400)	x	2	x
MCRE8040-FLR34	FR	10000 (37,0)	99,6	37,2 (400)	34	2	61

CSM Membranes

Ref	Description	Fam.	Subfam.	Disp. Stock	
MCRE2521-SHF	CSM 2.5" MEMBRANE RE2521-SHF	030	160	•	
MCRE2540-SHN	CSM 2.5" MEMBRANE RE2540-SHN	030	160	•	
MCRE2540-SHF	CSM 2.5" MEMBRANE RE2540-SHF	030	160	•	
MCRE4021-SHN	CSM 4" MEMBRANE RE4021-SHN	030	165	•	
MCNE2540-90	CSM 2.5" MEMBRANE NE2540-90	030	160	•	
MCNE4040-90	CSM 4" MEMBRANE NE4040-90	030	165	•	
MCNE4040-70	CSM 4" MEMBRANE NE4040-70	030	165		
MCNE4040-40	CSM 4" MEMBRANE NE4040-40	030	165		
MCNE8040-90	CSM 8" MEMBRANE NE8040-90	035	190	•	
MCNE8040-70	CSM 8" MEMBRANE NE8040-70	035	190		
MCNE8040-40	CSM 8" MEMBRANE NE8040-40	035	190		

Ref	Mod.	Permeate flow rate GPD (m ³ /d)	Rejection NaCl (%)	Effective area m ² (ft ²)	Spacer (mil)	Test	NSF
MCRE2521-SHF	SW	270 (0,99)	99,70	1,1 (12)	x	4	x
MCRE2540-SHN	SW	500 (1,90)	99,75	2,2 (24)	x	4	x
MCRE2540-SHF	SW	560 (2,10)	99,70	2,2 (24)	x	4	x
MCRE4021-SHN	SW	600 (2,27)	99,75	3,3 (24)	x	4	x
MCNE2540-90	NF	500 (1,90)	85-95	2,5 (27)	x	5	x
MCNE4040-90	NF	1700 (6,30)	85-97 90-97	7,9 (85)	x	5	61
MCNE4040-70	NF	1500 (5,55)	40-70 45-70	7,9 (85)	x	5	61
MCNE4040-40	NF	2100 (7,70)	20-40	7,9 (85)	x	5	61
MCNE8040-90	NF	8000 (29,6)	85-97 90-97	37,2 (400)	x	5	61
MCNE8040-70	NF	7000 (25,9)	40-70 45-70	37,2 (400)	x	5	61
MCNE8040-40	NF	10000 (37,9)	20-40	37,2 (400)	x	5	61

Test condition	Pressure (psi)	Temperature of solution NaCl (°C)	Concentration of NaCl solution (ppm)	Concentration of MgSO ₄ solution (ppm)	pH	Recovery rate (%)
1	225	25	2000	-	6,5-7,0	8 ± 15%
2	150	25	1500	-	6,5-7,0	8 ± 15%
3	100	25	500	-	6,5-7,0	8 ± 15%
4	800	25	32000	-	6,5-7,0	4 ± 8%
5	75	25	2000	500	6,5-7,0	15%
6	60	25	200	-	6,5-7,0	15%
7	20	25	100	-	6,5-7,0	15%
8	60	25	250	-	6,5-7,0	15%
9	60	25	200	-	6,5-7,0	30%
10	80	25	200	-	6,5-7,0	40%
11	150	25	2000	-	6,5-7,0	15%

TW RO: Residential RO - **LP:** Low Pressure - **BW:** Brackish Water - **SW:** Sea Water - **TW NF:** Industrial NF - **FR:** Fouling Resistant - **CR:** Chlorine Resistant - **NF:** Nano Filtration **Produttore:** CSM

Certificates	Manufacturer	Sectors
DM174-2004	CSM	Domestic, Commercial, Industrial

CSM Membranes Brine Seal and Interconnector



- Each membrane element supplied with one brine seal and one interconnector (excepted for 2,5" membrane element, supplied without interconnector).

Ref	Description	Fam.	Subfam.	Disp. Stock	
DC005	EPDM BRINE SEAL 2.5" CSM	030	160	•	
DD003	EPDM BRINE SEAL 4" CSM	030	165	•	
EA798	EPDM BRINE SEAL 8" CSM	035	190	•	

Ref	Description	Material	For Membranes
DC005	EPDM BRINE SEAL 2.5" CSM	EPDM	2,5"
DD003	EPDM BRINE SEAL 4" CSM	EPDM	4"
EA798	EPDM BRINE SEAL 8" CSM	EPDM	8"

Certificates	Manufacturer	Sectors
DM174-2004		Domestic, Industrial

Ref	Description	Fam.	Subfam.	Disp. Stock	
DD004	ABS FEMALE INTERCONNECTOR CSM 2.5" & 4" WITH O-RING - WHITE COLOR	030	165	•	
EA799	ABS MALE INTERCONNECTOR 1.125" CSM WITH O-RING -BW TYPE BLACK COLOR	035	190	•	

Ref	Material	Color	For Membranes
DD004	ABS	Bianco	2,5" - 4"
EA799	ABS	Nero	8"

Certificates	Manufacturer	Sectors
DM174-2004		Domestic, Industrial

TORAY Membranes



Ref	Description	Fam.	Subfa m.	Disp. Stock	
MTMG10D	TORAY 4" MEMBRANE TMG10D	030	165	•	
MTMH20A-400C	TORAY 8" MEMBRANE TMH20A-400C	035	190	•	
MTMH20A-440C	TORAY 8" MEMBRANE TMH20A-440C	035	190		
MTMG20D-400	TORAY 8" MEMBRANE TMG20D-400	035	190	•	
MTMG20D-440	TORAY 8" MEMBRANE TMG20D-440	035	190		
MTM710D	TORAY 4" MEMBRANE TM710D	030	165	•	
MTM720D-400	TORAY 8" MEMBRANE TM720D-400	035	190	•	
MTM720D-440	TORAY 8" MEMBRANE TM720D-440	035	190		
MTM720L-440	TORAY 8" MEMBRANE TM720L-440	035	190		
MTML10D	TORAY 8" MEMBRANE TML10D	030	165	•	
MTML20D-400	TORAY 8" MEMBRANE TML20D-400	035	190	•	
MTM810C	TORAY 4" MEMBRANE TM810C	030	165	•	
MTM810V	TORAY 4" MEMBRANE TM810V	030	165	•	
MTM820M-400	TORAY 8" MEMBRANE TM820M-400	035	190	•	
MTM820M-440	TORAY 8" MEMBRANE TM820M-440	035	190		
MTM820V-400	TORAY 8" MEMBRANE TM820V-400	035	190	•	
MTM820V-440	TORAY 8" MEMBRANE TM820V-440	035	190		

Ref	Mod.	Permeate flow rate GPD (m ³ /d)	Rejection NaCl (%)	Effective area m2 (ft2)	Spacer (mil)	Test	NSF
MTMG10D	LP	2850 (10,8)	99,7	8 (87)	34	11	x
MTMH20A-400C	LP	11000 (41,6)	99,3	37 (400)	34	3	x
MTMH20A-440C	LP	11000 (40,6)	99,3	41 (440)	28	3	x
MTMG20D-400	LP	12100 (45,8)	99,7	37 (400)	34	11	x
MTMG20D-440	LP	12100 (45,8)	99,7	41 (440)	28	11	x
MTM710D	BW	2600 (9,80)	99,8	8 (87)	31	1	x
MTM720D-400	BW	11000 (40,7)	99,8	37 (400)	34	1	x
MTM720D-440	BW	11000 (40,7)	99,8	41 (440)	28	1	x
MTM720L-440	BW	11000 (40,7)	99,5	41 (440)	28	1	x
MTML10D	BW	1900 (7,20)	99,8	7 (73)	34	1	x
MTML20D-400	FR	10500 (38,9)	99,8	37 (400)	34	1	x
MTM810C	FR	1200 (4,50)	99,75	7 (73)	31	4	x
MTM810V	SW	1900 (7,20)	99,8	8 (87)	28	4	x
MTM820M-400	SW	7000 (25,9)	99,8	37 (400)	34	4	x
MTM820M-440	SW	7700 (25,9)	99,8	41 (440)	28	4	x
MTM820V-400	SW	9000 (33,3)	99,8	37 (400)	28	4	x
MTM820V-440	SW	9900 (37,5)	99,8	41 (440)	28	4	x

LP: Low Pressure - **BW:** Brackish Water - **SW:** Sea Water - **FR:** Fouling Resistant - **Produttore:** TORAY



TORAY Membranes

Test Condition	Pressure (psi)	Temperature of solution (°C)	Concentration NaCl solution (ppm)	Concentration MgSO4 solution (ppm)	pH	Recupery rate (%)
1	225	25	2000	-	6,5-7,0	8 ± 15%
2	150	25	1500	-	6,5-7,0	8 ± 15%
3	100	25	500	-	6,5-7,0	8 ± 15%
4	800	25	32000	-	6,5-7,0	4 ± 8%
5	75	25	2000	500	6,5-7,0	15%
6	60	25	200	-	6,5-7,0	15%
7	20	25	100	-	6,5-7,0	15%
8	60	25	250	-	6,5-7,0	15%
9	60	25	200	-	6,5-7,0	30%
10	80	25	200	-	6,5-7,0	40%
11	150	25	2000	-	6,5-7,0	15%

Certificates	Manufacturer	Sectors
DM174-2004	Toray	Commercial, Industrial

Vontron Membranes



Ref	Description	Fam.	Subfam.	Disp. Stock	
MVULP1812-50	VONTRON 1.8" MEMBRANE ULP1812-50	030	152	•	
MVULP1812-75	VONTRON 1.8" MEMBRANE ULP1812-75	030	152	•	
MVULP2012-100	VONTRON 2" MEMBRANE ULP2012-100	030	152	•	
MVULP2812	VONTRON 2.8" MEMBRANE ULP2812	030	157	•	
MVULP3012	VONTRON 3" MEMBRANE ULP3012	030	157	•	
MVVNF1-1812	VONTRON 1.8" MEMBRANE VNF1-1812	030	152	•	
MVVNF1-2012	VONTRON 2" MEMBRANE VNF1-2012	030	152	•	
MVVNF2812	VONTRON 2.8" MEMBRANE VNF-2812	030	157	•	
MVXLP11-4040	VONTRON 4" MEMBRANE XLP11-4040	030	166	•	
MVXLP12-8040	VONTRON 8" MEMBRANE XLP12-8040	035	167	•	
MVULP21-2540	VONTRON 2.5" MEMBRANE ULP21-2540	030	159	•	
MVULP21-4021	VONTRON 4" MEMBRANE ULP21-4021	030	166	•	
MVULP21-4040	VONTRON 4" MEMBRANE ULP21-4040	030	166	•	
MVULP31-4040	VONTRON 4" MEMBRANE ULP31-4040	030	166	•	
MVULP22-8040	VONTRON 8" MEMBRANE ULP22-8040	035	167	•	
MVULP32-8040	VONTRON 8" MEMBRANE ULP32-8040	035	167	•	
MVULP440	VONTRON 8" MEMBRANE ULP440	035	167	•	
MVLP100	VONTRON 4" MEMBRANE LP100	030	166	•	
MVLP21-4040	VONTRON 4" MEMBRANE LP21-4040	030	166	•	
MVLP21-8040	VONTRON 8" MEMBRANE LP21-8040	035	167	•	
MVLP22-8040	VONTRON 8" MEMBRANE LP22-8040	035	167	•	
MVFR11-4040	VONTRON 4" MEMBRANE FR11-4040	030	166	•	
MVFR11-8040	VONTRON 8" MEMBRANE FR11-8040	035	167	•	
MVFR12-8040	VONTRON 8" MEMBRANE FR12-8040	035	167	•	
MVPURO-LE	VONTRON 8" MEMBRANE PURO-LE	035	167	•	
MVSW11-2521	VONTRON 2.5" MEMBRANE SW11-2521	030	159	•	
MVSW11-4021	VONTRON 4" MEMBRANE SW11-4021	030	166	•	
MVSW4040HR	VONTRON 4" MEMBRANE SW4040HR	030	166	•	
MVSW4040LE	VONTRON 4" MEMBRANE SW4040LE	030	166	•	
MVSW8040HR-400	VONTRON 8" MEMBRANE SW8040HR-400	035	167	•	
MVSW8040LE-400	VONTRON 8" MEMBRANE SW8040LE-400	035	167	•	
MVVNF1-2540	VONTRON 2.5" MEMBRANE VNF1-2540	030	159	•	
MVVNF1-4040	VONTRON 4" MEMBRANE VNF1-4040	030	166	•	
MVVNF1-8040	VONTRON 8" MEMBRANE VNF1-8040	035	167	•	

Vontron Membranes

Ref	Mod.	Permeate flow rate GPD (m ³ /d)	Rejection NaCl rate (%)	Effective area m2 (ft2)	Spacer (mil)	Test	NSF
MVULP1812-50	TW RO	50 (0,19)	97,5	X X	X	1	58
MVULP1812-75	TW RO	75 (0,28)	97,5	X X	X	1	58
MVULP2012-100	TW RO	100 (0,38)	95,0	X X	X	1	58
MVULP2812	TW RO	200 (0,76)	97,0	X X	X	3	58
MVULP3012	TW RO	300 (1,14)	97,0	X X	X	3	58
MVVNF1-1812	TW RO	100 (0,8) 100 (0,8)	30,0 ± 10 ≥ 85	X X	X	2	58
MVVNF1-2012	TW RO	120 (0,45) 120 (0,45)	30,0 ± 10 ≥ 85	X X	X	2	58
MVVNF2812	TW NF	300 (1,14) 300 (1,14)	30,0 ± 10 ≥ 85	X X	X	2	58
MVXLP11-4040	TW NF	2.000 (7,6)	98,0	8,4 (90)	X	3	61
MVXLP12-8040	TW NF	9.000 (34)	98,0	37,2 (400)	X	3	X
MVULP21-2540	XLP RO	750 (2,84)	99,0	2,8 (30)	X	4	61
MVULP21-4021	XLP RO	950 (3,6)	99,0	3,3 (36)	X	4	61
MVULP21-4040	LP	2.400 (9,1)	99,0	8,4 (90)	X	5	61
MVULP31-4040	LP	1.900 (7,2)	99,4	8,4 (90)	X	5	61
MVULP22-8040	LP	12.100 (45,7)	99,0	37,2 (400)	X	5	61
MVULP32-8040	LP	10.500 (39,7)	99,5	37,2 (400)	X	5	61
MVULP440	LP	12.000 (45,4)	99,5	40,9 (440)	X	6	X
MVLP100	LP	2.500 (9,5)	99,7	9,3 (100)	X	7	X
MVLP21-4040	LP	2.400 (9,1)	99,5	8,4 (90)	X	7	61
MVLP21-8040	BW	9.600 (36,3)	99,5	33,9 (365)	X	7	61
MVLP22-8040	BW	10.500 (39,7)	99,5	37,2 (400)	X	7	61
MVFR11-4040	BW	2.200 (8,3)	99,5	8,4 (90)	X	7	61
MVFR11-8040	BW	9.600 (36,3)	99,5	33,9 (365)	34	7	61
MVFR12-8040	FR	10.500 (39,7)	99,5	37,2 (400)	34	7	X
MVPURO-LE	FR	10.000 (37,9)	99,5	37,2 (400)	34	8	X
MVSW11-2521	SW	270 (1,0)	99,5	1,1 (12)	x	9	61
MVSW11-4021	SW	750 (2,8)	99,5	3,1 (33)	x	9	61
MVSW4040HR	SW	1.600 (6,1)	99,8	7,9 (85)	x	10	61
MVSW4040LE	SW	1.900 (7,2)	99,7	7,9 (85)	x	10	61
MVSW8040HR-400	SW	7.500 (28,4)	99,8	37,2 (400)	x	10	61
MVSW8040LE-400	SW	9.000 (34,1)	99,8	37,2 (400)	x	10	61
MVVNF1-2540	NF	800 (3,03) 650 (2,46)	30-50 ≥ 96	2,6 (28)	x	11	x
MVVNF1-4040	NF	2.400 (9,1) 2.000 (7,5)	30-50 ≥ 96	7,4 (80)	x	11	x
MVVNF1-8040	NF	12.000(45,4) 10.000 (37,9)	30-50 ≥ 98	37,2 (400)	x	11	x



Vontron Membranes

Test condition	Pressure (psi)	Temperature of solution NaCl (°C)	Concentration of NaCl solution (ppm)	Concentration of MgSO4 solution (ppm)	pH	Recovery rate (%)
1	60	25	250	-	6,5-8,5	15
2	60	25	250	CaCl2 250	6,5-8,5	15
3	100	25	500	-	7,5	15
4	150	25	1500	-	7,5	8
5	150	25	1500	-	7,5	15
6	150	25	500	-	7,5	15
7	225	25	2000	-	7,5	15
8	150	25	2000	-	7,5	15
9	800	25	32800	-	7,5	4
10	800	25	32800	-	7,5	8
11	100	25	2000	MgSO4 2000	7,5	15

TW RO: Residential RO - **XLP RO:** Extra Low Pressure - **BW:** Brackish Water - **SW:** Sea Water - **TW NF:** Industrial NF - **LP:** Low Pressure - **FR:** Sea Water - **NF:** Nano Filtration

Certificates	Manufacturer	Sectors
DM174-2004	Vontron	Domestic, Commercial, Industrial

Antiscaling for R. O. Membranes Permascale Eut 110



- PERMASCALE EUT110 is a product that prevents scales and iron sediment on R.O. membranes systems;
- For industrial systems and for potable water treatment systems;
- Very effective on various kinds of water, minimize the fouling and reduce the frequency of membranes cleaning;
- Particularly suitable for big plants with permeate flows higher than 100 m3/day;
- Compatible with all kinds of membranes;
- Replace totally or partially the acidification;
- Easy to use due to the liquid form.

Use

- Injection by dosing pump of pure or diluted product.
- The dosage is according to the concentration of scaling salts and iron, and can vary from 2 to 10 cm3/m3 of feed water

Instructions and Packaging

- Handling: following safety data sheet. Take the normal precautions to handle chemical products.
- Packaging: 25 kg drum.
- Storage: closed on the original packaging, sheltered from cold and heat.

Characteristics:	
Formulation	special phosphonated
pH	7,8 ± 0,5
Appearance	light yellow liquid
Density a 20°C	1,30 ± 0,05 g/ml
Checking	phosphonated value
Solubility in water	complete

Ref	Description	Fam.	Subfam.	Disp. Stock
EA100	PERMASCALE EUT 110	035	191	•

Certificates	Manufacturer	Sectors
	MWG	Commercial, Industrial

Antiscaling for R.O. Membranes Permascale EUT 120



- PERMASCALE EUT120 is a product that prevents scales and iron sediment on R.O. membranes systems;
- Very effective on various kinds of water, minimize the fouling and reduce the frequency of membranes cleaning;
- Particularly suitable for plants with permeate flows lower than 100 m³/day;
- Compatible with all kinds of membranes;
- Replace totally or partially the acidification;
- Easy to use due to the liquid form.

Use

- Injection by dosing pump of pure or diluted product:
- The dosage is according to the concentration of scaling salts and iron, and can vary from 3 to 13 cm³/m³ of feed water.

Instructions and packaging

- Handling: following safety data sheet. Take the normal precautions to handle chemical products.
- Packaging: 25 kg drum.
- Storage: closed on the original packaging, sheltered from cold and heat.

Characteristics	
Formulation	special phosphonated
pH	7,5 ± 0,5
Appearance	light yellow liquid
Density a 20°C	1,30 ± 0,02 g/ml
Checking	phosphonated value
Solubility in water	complete

Ref	Description	Fam.	Subfam.	Disp. Stock
EA101	PERMASCALE EUT 120	035	191	•

Box: WxLxH	Box: Q.ty	Box: Weight	Pallet: WxLxH	Pallet: Q.ty	Pallet: Weight

Certificates	Manufacturer	Sectors
	MWG	Commercial, Industrial

Antiscaling for R. O. Membranes PermaTreat PC-391T

- PermaTreat PC-391T is recommended for systems that produce less than 545 m3/day (100 GPM) of permeate. This program is less concentrated than PermaTreat PC-191T and, therefore, offers the benefits and advantages of neat feed for smaller RO systems;
- PermaTreat PC-391T has exhibited excellent performance against the following foulants: calcium carbonate, calcium sulfate, barium sulfate, strontium sulfate and iron;
- Packaging: 25 kg drum. Minimum order quantity = 4 drums.
- **Compatible Materials**
- Stainless Steel 304, CPVC Piping, Polyethylene, Polypropylene, Plasite 4300 and Plasite 7122.
- All membrane elements based on Polyamide chemistries including Thin Film Composite (TFC) membranes when used as directed.
- **Not Compatible Materials**
- Neoprene, Hypalon elastomer, Buna-N and EPDM: P.S. for all these materials, O-rings are acceptable for static applications. If the fitting is opened, O-ring must be replaced.
- Brass, Polyurethane and Viton.
- **Dosage and Feeding**
- PermaTreat PC-391T must be fed continuously. The feedpoint location should be as close to the RO membrane as practical but one that ensures good mixing with the feedwater prior to entering the RO system.
- PermaTreat PC-391T dosage is dependent on feedwater chemistry, membrane type, system operating parameters (e.g., recovery, temperature and pressure). These parameters determine the potential foulant that is likely to foul the membrane elements.
- Please, consult our Technical Department for detailed dosage and feeding information.
- **Consequences of overfeed**
- Overfeed of PermaTreat PC-391T will result in higher chemical cost.
- **Consequences of underfeed**
- Underfeed of PermaTreat PC-391T will result in poor scale inhibition. This will lead to fouled RO membranes and reduce system performance and/or premature membrane replacement. In RO units, scaling is typically seen in the tail-end elements that have the highest reject concentration (4:1 for a 75% recovery system).
- Please, consult our Technical Department for detailed dosage and feeding information.
- **Environmental and toxicity data**
- Refer to the MSDS for all available mammalian and aquatic toxicity information.
- ppm/ppm product
- Biological Oxygen Demand (5-day BOD5) Not Available
- Chemical Oxygen Demand (COD) Not Available
- Total Organic Carbon (TOC) Not Available
- **Safety and handling**
- Before using PermaTreat PC-391T, please refer to the Material Safety Data Sheet (MSDS) for proper personal protective equipment (PPE) and for health effects.
- **Storage**
- PermaTreat PC-391T has a suggested in-plant storage limit of one year. The suggested maximum storage temperature is 38°C.
- Refer to the (MSDS) for the most current data.
- **Remarks**
- For Medical and Transportation Emergencies, please see the MSDS.

Physical	
Color	Clear, yellow
Form	Liquid
Odor	Slight ammonia smell
Density gravity a 25°C	1,10
pH (neat)	10,8
Solubility in water	complete

Ref	Description	Fam.	Subfa m.	Disp. Stock	
EA102	PERMATREAT PC -391T	035	191		

Box: WxLxH	Box: Q.ty	Box: Weight	Pallet: WxLxH	Pallet: Q.ty	Pallet: Weight

Antiscaling for R. O. Membranes PermaTreat PC-191T

- PermaTreat PC-191T is a highly effective scale inhibitor whose active components were developed to treat reverse osmosis (RO) systems;
- PermaTreat PC-191T has shown excellent performance against the following scalants: calcium carbonate, calcium sulfate, barium sulfate, strontium sulfate, calcium fluoride, silica and iron;
- For RO units with a feedwater flowrate of 545 m3/day (100 GPM) or less, the recommended product would be PermaTreat PC-391T (our ref. EA102);
- PermaTreat PC-191T is used when the silica level in the brine is less than 185 mg/l at a brine pH of 7,5 and temperature 25°C;
- Packaging: 25 kg drum.
- **Compatible Materials**
- Stainless Steel 304, CPVC Piping, Polyethylene, Polypropylene, Plasite 4300 and Plasite 7122.
- All membrane elements based on Polyamide chemistries including Thin Film Composite (TFC) membranes when used as directed.
- **Not Compatible Materials**
- Neoprene, Hypalon elastomer, Buna-N and EPDM: P.S. for all these materials, O-rings are acceptable for static applications. If the fitting is opened, O-ring must be replaced.
- Brass, Polyurethane and Viton.
- **Dosage and Feeding**
- PermaTreat PC-191T must be fed continuously. The feedpoint location should be as close to the RO membrane as practical but one that ensures good mixing with the feedwater prior to entering the RO system.
- PermaTreat PC-191T dosage is dependent on feedwater chemistry, membrane type, system operating parameters (e.g., recovery, temperature and pressure). These parameters determine the potential foulant that is likely to foul the membrane elements.
- Please, consult our Technical Department for detailed dosage and feeding information.
- **Consequences of overfeed**
- Overfeed of PermaTreat PC-191T will result in higher chemical cost.
- **Consequences of underfeed**
- Underfeed of PermaTreat PC-191T will result in poor scale inhibition. This will lead to fouled RO membranes and reduce system performance and/or premature membrane replacement. In RO units, scaling is typically seen in the tail-end elements that have the highest reject concentration (4:1 for a 75% recovery system).
- Please, consult our Technical Department for detailed dosage and feeding inform
- **Environmental and toxicity data**
- Refer to the MSDS for all available mammalian and aquatic toxicity information.
- Biological Oxygen Demand (5-day BOD5) Not Available
- Chemical Oxygen Demand (COD) Not Available
- Total Organic Carbon (TOC) Not Available
- **Safety and handling**
- Before using PermaTreat PC-191T, please refer to the Material Safety Data Sheet (MSDS) for proper personal protective equipment (PPE) and for health effects.
- **Storage**
- PermaTreat PC-191T has a suggested in-plant storage limit of one year. The suggested maximum storage temperature is 38°C.
- Refer to the (MSDS) for the most current data.
- **Remarks**
- For Medical and Transportation Emergencies, please see the MSDS.

Physical	
Color	Clear, yellow
Form	Liquid
Odor	Slight ammonia smell
Density a 25°C	1,36
pH (neat)	10,5
Solubility in water	Complete

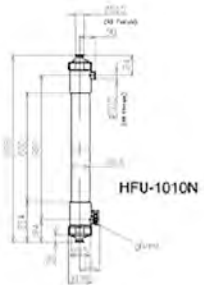
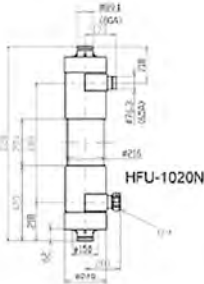
Ref	Description	Fam.	Subfam.	Disp. Stock
EA103	PERMATREAT PC -191T	035	191	

Box: WxLxH	Box: Q.ty	Box: Weight	Pallet: WxLxH	Pallet: Q.ty	Pallet: Weight

Certificates	Manufacturer	Sectors
NSF60		Domestic, Industrial

TORAY PVDF Hollow Fiber Membrane Module HFU series (type N)

- Membrane Material = PVDF (Polyvinylidene fluoride);
- Housing Material = PVC and/or ABS;
- Potting Material = Epoxy Resin or Urethane Resin;
- Nominal Molecular Weight Cut Off = 150.000;
- Cleaning pH Range 0 ÷ 12;
- Maximum Cleaning Temperature 40°C;
- Maximum Concentration of NaClO Cleaning as Cl2 = 3.000 mg/liter (10≤pH≤12);
- Maximum NaClO Exposure (lifetime contact time) as Cl2 = 1.000.000 mg/liter hours;
- Maximum Acid Exposure Contact Time = 1.000 hours (pH≥0).



Operating conditions	
Filtration Method	Outside to inside, dead end
Maximum Inlet Pressure	300 kPa (43,5 psi)
Maximum Trans Membrane Pressure	300 kPa (43,5 psi)
Typical Operating Trans Membrane Pressure	
Operating Temperature Range	0 ÷ 40°C
Operating pH Range	1÷ 10

Ref	Description	Fam.	Subfam.	Disp. Stock	
MTHFU-2020AN	TORAY 8" MEMBRANE HFU-2020AN	035	188		
MTHFU-1020N	TORAY 4" MEMBRANE HFU-1020N	035	188		
MTHFU-1010N	TORAY 4" MEMBRANE HFU-1010N	035	188		
MTHFU-2008N	TORAY 8" MEMBRANE HFU-2008N	035	188		

Ref	Membrane surface area (Outer surface) m ² (ft ²)	Diameter (mm)	Lenght (mm)	Weight (Full of water) Kg	Weight (Drained) Kg
MTHFU-2020AN	72 (775)	216	2160	110	67
MTHFU-1020N	29 (312)	216	1120	60	40
MTHFU-1010N	7 (75)	114	1078	15	9
MTHFU-2008N	11,5 (124)	89	2000	18	11

Certificates	Manufacturer	Sectors
	Toray	Industrial

EUROTROL®

WATER TREATMENT COMPONENTS



MWG vessels,
accessories,
rotary pumps

INDEX



Vessel for Residential Elements

1,8" - 2"

material PP white; connections 1/8" NPT F; max pressure 125 psi (8,6 bar); double o-ring; permeate tube seat diameter = 0,67"; nominal dimension 1812 - 2012.

Membranes coupling: CSM 1,8" - 2" residential membranes.

Ref	Description	Fam.	Subfam.	Disp. Stock	
DE010	MEMBRANE VESSEL 1812 IN P.P.	030	175	•	
Box: WxLxH	Box: Q.ty	Box: Weight	Pallet: WxLxH	Pallet: Q.ty	Pallet: Weight
Certificates		Manufacturer		Sectors	
DM174-2004				Domestic	



Single mounting clips for vessel residential 1,8" - 2" membranes - In

material PP; white colour.

Ref	Description	Fam.	Subfam.	Disp. Stock	
DE034	SINGLE CLIP 2.5"	030	175	•	
Certificates		Manufacturer		Sectors	
		MWG		Domestic	



2,8" - 3"

material PP; white; connections: feed, permeate and concentrate 3/8" NPT F (please, use our fittings ref. AV153 or elbows ref. AV159); max pressure 125 psi (8,6 bar); permeate tube seat diameter = 0,67"; nominal dimension 2812 - 3012.

Membranes coupling: CSM 2,8" residential membranes.

Ref	Description	Fam.	Subfam.	Disp. Stock	
DE007	MEMBRANE VESSEL 3012 IN P.P.	030	175	•	
Box: WxLxH	Box: Q.ty	Box: Weight	Pallet: WxLxH	Pallet: Q.ty	Pallet: Weight
Certificates		Manufacturer		Sectors	
DM174-2004				Domestic	



Single mounting clips for vessel residential 2,8" - 3" membranes

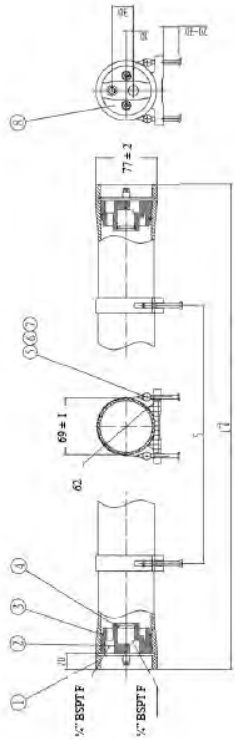
material PP; white

Ref	Description	Fam.	Subfam.	Disp. Stock	
DE006	SINGLE CLIP 3"	030	175	•	
Certificates		Manufacturer		Sectors	
		MWG		Domestic	





2 1/2" Membrane Vessels End Port Series 300 E-2.5



- Fiberglass reinforced plastic pressure vessels series 300 E-2.5, D.75" direct connection, white painted, UVA-ray proof material;
- End-cap in ABS;
- Max operating pressure 300 psi (21 bar);
- European 2014/68/EU Directive compliant for pressure equipment (PED);
- Built in accordance with ASME code section X;
- Each vessel is factory tested at 1,5 times max operating pressure;
- Connections: feed/concentrate 1/4" BSPT F, permeate 1/4" BSPT F;
- Straps and saddles included.

Ref	Description	Fam.	Subfam.	Disp. Stock	Price Euro
H2E1BQ	RO VESSEL FRP 2,5" END-PORT 300 PSI 2514 1/4" BSPT F - 1/4" BSPT F	030	180	•	95,71
H2E1BV	RO VESSEL FRP 2,5" END-PORT 300 PSI 2521 1/4" BSPT F - 1/4" BSPT F	030	180	•	105,63
H2E1B1	RO VESSEL FRP 2,5" END-PORT 300 PSI 2540 1/4" BSPT F - 1/4" BSPT F	030	180	•	126,21

Ref	Elements	L (mm)	S (mm)
H2E1BQ	1 x 14"	427	200
H2E1BV	1 x 21"	605	400
H2E1B1	1 x 40"	1088	700

Ref	Box: WxLxH.	Box: Qnt.	Box: Weight.	Pallet: WxLxH.	Pallet: Qnt.	Pallet: Weight.
H2E1BQ						
H2E1BV						
H2E1B1						

Certificates	Manufacturer	Sectors
DM174-2004 CE	MWG	Commercial

Spare parts

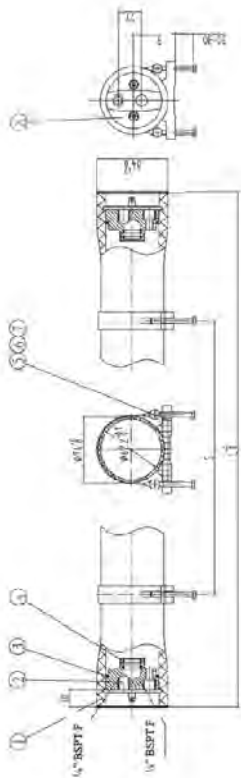
Ref	Description	Fam.	Subfam.	Disp. Stock	Price Euro
H2R011	2,5" MPV END PLATE IN ABS F/C/P 1/4" BSPT FOR 300 PSI	030	180	•	17,85
H2R103	2,5" MPV HEAD SEAL IN EPDM FOR 300	030	180	•	3,32
H2R101	2,5" & 4" MPV ADAPTER SEAL IN EPDM FOR 300	030	180	•	0,82
H2R001	2.5" MPV SADDLE FOR 300-1000 PSI	030	180	•	2,31
H2R003	2.5" MPV STRAP FOR 300 PSI L=160 mm	030	180	•	14,30
H2R041	2,5" MPV SEEGER IN AISI 316 FOR 300-1000 PSI	030	180	•	7,35

Spare parts

Item	Ref	Q.ty	Material	Note
2 + 4	H2R011	2	ABS	
3	H2R103	2	EPDM	56 x 3,55
4	H2R101	2	EPDM	19 x 2,65
5	H2R001	2	Rubber	
7 + 6	H2R003	2	AISI 304 - Rubber	
8	H2R041	4	AISI 304	



2 ½" Membrane Vessels End Port Series 1000 E-2.5



- Fiberglass reinforced plastic pressure vessels series 1000 E-2.5, D.75" direct connection, white painted, UVA-ray proof material;
- End-cap in super duplex steel AISI 2507;
- Max operating pressure 1000 psi (69 bar);
- European 2014/68/EU Directive compliant for pressure equipment (PED);
- Built in accordance with ASME code section X;
- Each vessel is factory tested at 1,5 times max operating pressure;
- Connections: feed/concentrate ¼" BSPT F, permeate ¼" BSPT F;
- Straps and saddles included.

Ref	Description	Fam.	Subfam.	Disp. Stock	Price Euro
H2E1GV	RO VESSEL FRP 2,5" END-PORT 1000 PSI 2521 1/4" BSPT F - 1/4" BSPT F	030	180	•	406,03
H2E1G1	RO VESSEL FRP 2,5" END-PORT 1000 PSI 2540 1/4" BSPT F - 1/4" BSPT F	030	180	•	422,54

Ref	Elements	L (mm)	S (mm)
H2E1GV	1 x 21"	629	400
H2E1G1	1 x 40"	1112	700

Ref	Box: WxLxH.	Box: Qnt.	Box: Weight.	Pallet: WxLxH.	Pallet: Qnt.	Pallet: Weight.
H2E1GV						
H2E1G1						

Certificates	Manufacturer	Sectors
DM174-2004 CE	MWG	Commercial

Spare parts

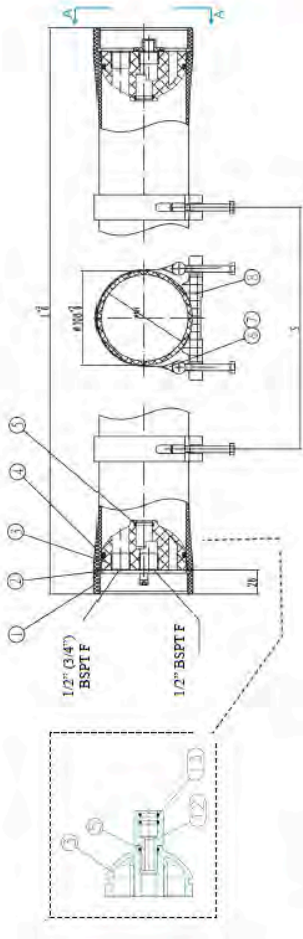
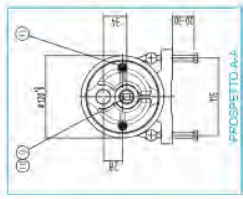
Ref	Description	Fam.	Subfam.	Disp. Stock	Price Euro
H2R013	2,5" MPV END PLATE IN AISI 2507SST F/C/P 1/4" BSPT FOR 1000 PSI	030	180	•	144,01
H2R103	2,5" MPV HEAD SEAL IN EPDM FOR 300	030	180	•	3,32
H2R101	2,5" & 4" MPV ADAPTER SEAL IN EPDM FOR 300	030	180	•	0,82
H2R001	2.5" MPV SADDLE FOR 300-1000 PSI	030	180	•	2,31
H2R005	2.5" MPV STRAP FOR 1000 PSI L=170 mm	030	180	•	14,30
H2R041	2,5" MPV SEEGER IN AISI 316 FOR 300-1000 PSI	030	180	•	7,35

Spare parts

Item	Ref	Q.ty	Material	Note
2 + 4	H2R013	2	Super Duplex Steel AISI 2507	
3	H2R103	2	EPDM	56 x 3,55
4	H2R101	4	EPDM	19 x 2,65
5	H2R001	2	Rubber	
7 + 6	H2R005	2	AISI 304 - Rubber	
8	H2R041	4	AISI 304	



4" Membrane Vessels End Port Series 300 E-4



- Fiberglass reinforced plastic pressure vessels series 300 E-4, D.75" direct connection, white painted, UVA-ray proof material;
- End-cap in ABS;
- Max operating pressure 300 psi (21 bar);
- European 2014/68/EU Directive compliant for pressure equipment (PED);
- Built in accordance with ASME code section X;
- Each vessel is factory tested at 1,5 times max operating pressure;
- Permeate connections 1/2" BSPT F;
- Straps and saddles included (n.2 pcs from 1 to 3 elements, n.3 pcs from 4 to 6 elements).

Ref	Description	Fam.	Subfam.	Disp. Stock	Price Euro
H4E2BV	RO VESSEL FRP 4" END-PORT 300 PSI 4021 1/2" BSPT F - 1/2" BSPT F	030	180	•	144,12
H4E3BV	RO VESSEL FRP 4" END-PORT 300 PSI 4021 3/4" BSPT F - 1/2" BSPT F	030	180	•	144,12
H4E2B1	RO VESSEL FRP 4" END-PORT 300 PSI 4040 1/2" BSPT F - 1/2" BSPT F	030	180	•	148,62
H4E3B1	RO VESSEL FRP 4" END-PORT 300 PSI 4040 3/4" BSPT F - 1/2" BSPT F	030	180	•	148,62
H4E2B2	RO VESSEL FRP 4" END-PORT 300 PSI 2EL 1/2" BSPT F - 1/2" BSPT F	030	180	•	204,94
H4E3B2	RO VESSEL FRP 4" END-PORT 300 PSI 2EL 3/4" BSPT F - 1/2" BSPT F	030	180	•	204,94
H4E2B3	RO VESSEL FRP 4" END-PORT 300 PSI 3EL 1/2" BSPT F - 1/2" BSPT F	030	180	•	263,26
H4E3B3	RO VESSEL FRP 4" END-PORT 300 PSI 3EL 3/4" BSPT F - 1/2" BSPT F	030	180	•	263,26
H4E2B4	RO VESSEL FRP 4" END-PORT 300 PSI 4EL 1/2" BSPT F - 1/2" BSPT F	030	180		349,53
H4E3B4	RO VESSEL FRP 4" END-PORT 300 PSI 4EL 3/4" BSPT F - 1/2" BSPT F	030	180		349,53
H4E2B5	RO VESSEL FRP 4" END-PORT 300 PSI 5EL 1/2" BSPT F - 1/2" BSPT F	030	180		445,65
H4E3B5	RO VESSEL FRP 4" END-PORT 300 PSI 5EL 3/4" BSPT F - 1/2" BSPT F	030	180		445,65
H4E2B6	RO VESSEL FRP 4" END-PORT 300 PSI 6EL 1/2" BSPT F - 1/2" BSPT F	030	180		544,68
H4E3B6	RO VESSEL FRP 4" END-PORT 300 PSI 6EL 3/4" BSPT F - 1/2" BSPT F	030	180		544,68

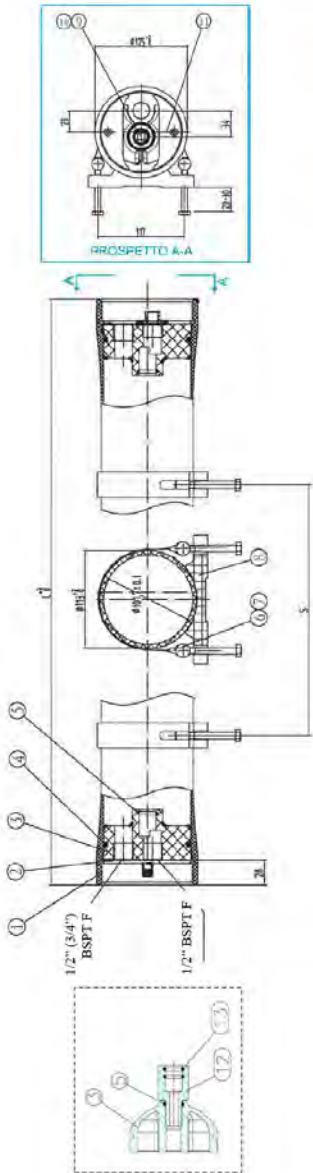
Ref	Elements	L (mm)	S (mm)
H4E2BV	1 x 21"	658	400
H4E3BV	1 x 21"	658	400
H4E2B1	1 x 40"	1140	600
H4E3B1	1 x 40"	1140	600
H4E2B2	2 x 40"	2156	1200
H4E3B2	2 x 40"	2156	1200
H4E2B3	3 x 40"	3172	2200
H4E3B3	3 x 40"	3172	2200
H4E2B4	4 x 40"	4268	1600x2
H4E3B4	4 x 40"	4268	1600x2
H4E2B5	5 x 40"	5284	2300x2
H4E3B5	5 x 40"	5284	2300x2
H4E2B6	6 x 40"	6300	2700x2
H4E3B6	6 x 40"	6300	2700x2

Certificates	Manufacturer	Sectors
DM174-2004 CE	MWG	Industrial



4" Membrane Vessels End Port Series 450 E-4

- Fiberglass reinforced plastic pressure vessels series 450 E-4, D.75" direct connection, white painted, UVA-ray proof material;
- End-cap in ABS;
- Max operating pressure 450 psi (31 bar);
- European 2014/68/EU Directive compliant for pressure equipment (PED);
- Built in accordance with ASME code section X;
- Each vessel is factory tested at 1,5 times max operating pressure;
- Permeate connections 1/2" BSPT F;
- Straps and saddles included (n.2 pcs from 1 to 3 elements, n.3 pcs from 4 to 6 elements).



Ref	Description	Fam.	Subfam.	Disp. Stock	
H4E2CV	RO VESSEL FRP 4" END-PORT 450 PSI 4021 1/2" BSPT F - 1/2" BSPT F	030	180	•	
H4E2C1	RO VESSEL FRP 4" END-PORT 450 PSI 4040 1/2" BSPT F - 1/2" BSPT F	030	180	•	
H4E3C1	RO VESSEL FRP 4" END-PORT 450 PSI 4040 3/4" BSPT F - 1/2" BSPT F	030	180	•	
H4E2C2	RO VESSEL FRP 4" END-PORT 450 PSI 2EL 1/2" BSPT F - 1/2" BSPT F	030	180	•	
H4E3C2	RO VESSEL FRP 4" END-PORT 450 PSI 2EL 3/4" BSPT F - 1/2" BSPT F	030	180	•	
H4E2C3	RO VESSEL FRP 4" END-PORT 450 PSI 3EL 1/2" BSPT F - 1/2" BSPT F	030	180	•	
H4E3C3	RO VESSEL FRP 4" END-PORT 450 PSI 3EL 3/4" BSPT F - 1/2" BSPT F	030	180	•	
H4E2C4	RO VESSEL FRP 4" END-PORT 450 PSI 4EL 1/2" BSPT F - 1/2" BSPT F	030	180		
H4E3C4	RO VESSEL FRP 4" END-PORT 450 PSI 4EL 3/4" BSPT F - 1/2" BSPT F	030	180		
H4E2C5	RO VESSEL FRP 4" END-PORT 450 PSI 5EL 1/2" BSPT F - 1/2" BSPT F	030	180		
H4E3C5	RO VESSEL FRP 4" END-PORT 450 PSI 5EL 3/4" BSPT F - 1/2" BSPT F	030	180		
H4E2C6	RO VESSEL FRP 4" END-PORT 450 PSI 6EL 1/2" BSPT F - 1/2" BSPT F	030	180		
H4E3C6	RO VESSEL FRP 4" END-PORT 450 PSI 6EL 3/4" BSPT F - 1/2" BSPT F	030	180		

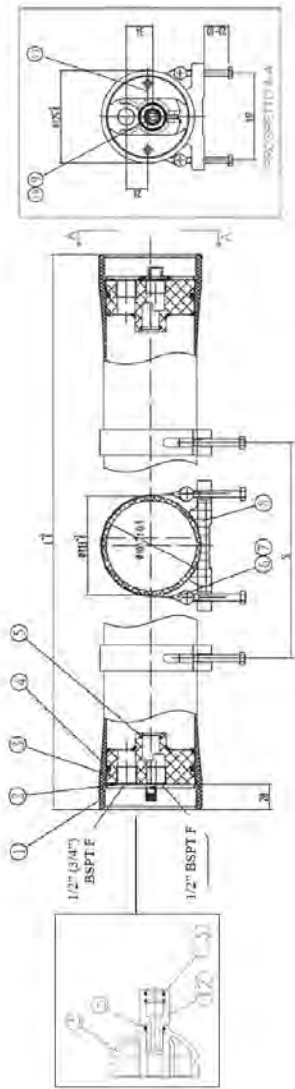
Ref	Elements	L (mm)	S (mm)
H4E2CV	1 x 21"	670	400
H4E2C1	1 x 40"	1152	600
H4E3C1	1 x 40"	1152	600
H4E2C2	2 x 40"	2168	1200
H4E3C2	2 x 40"	2168	1200
H4E2C3	3 x 40"	3184	2200
H4E3C3	3 x 40"	3184	2200
H4E2C4	4 x 40"	4280	1600x2
H4E3C4	4 x 40"	4280	1600x2
H4E2C5	5 x 40"	5296	2300x2
H4E3C5	5 x 40"	5296	2300x2
H4E2C6	6 x 40"	6312	2700x2
H4E3C6	6 x 40"	6312	2700x2

Certificates	Manufacturer	Sectors
DM174-2004 CE	MWG	Industrial



4" End Port Serie 300/450 PSI Vessels Spare Parts

Spare parts

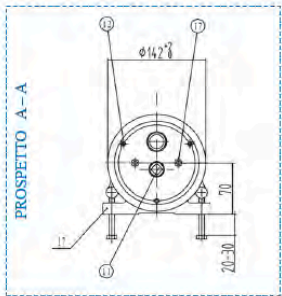
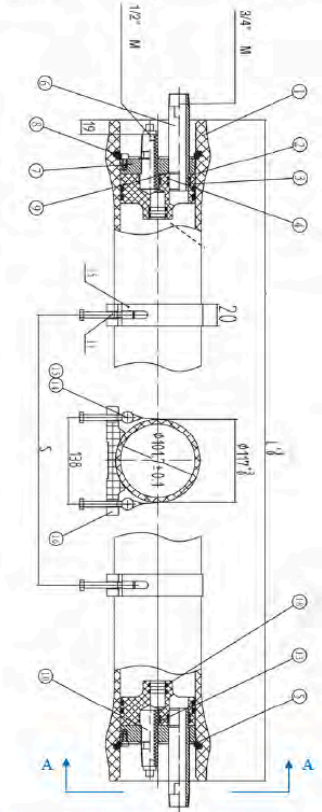
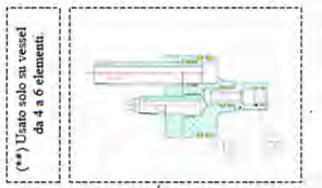


Ref	Description	Fam.	Subfam.	Disp. Stock	
H4R041	4" MPV SEEGER IN AISI 304 FOR 300-450 PSI	030	180	•	
H4R401	4" MPV END PLATE ABS- PP 1/2" BSPT + FCP 1/2" BSPT END PORT 300-450PSI	030	180	•	
H4R403	4" MPV END PLATE ABS- PP 1/2" BSPT + FCP 3/4" BSPT END PORT 300-450PSI	030	180	•	
H4R107	4" MPV HEAD SEAL IN EPDM FOR 300	030	180	•	
H2R101	2,5" & 4" MPV ADAPTER SEAL IN EPDM FOR 300	030	180	•	
H4R003	4" MPV STRAP FOR 300-450 PSI L=265 mm	030	180	•	
H4R001	4" MPV SADDLE FOR 300-1200 PSI	030	180	•	
H4R081	4" MPV PLUG IN ABS FOR 300-450 PSI	030	180	•	
H4R101	4" MPV O-RING IN EPDM OF PLUG 300-450 PSI	030	180	•	
H4R209	4" MPV SEEGER SCREW M6x14 IN AISI 304	030	180	•	
H4R601	4" MPV ADAPTER IN ABS FOR END/SIDE P 300-450 PSI + 600-1000-1200 END P	030	180	•	
H2R101	2,5" & 4" MPV ADAPTER SEAL IN EPDM FOR 300	030	180	•	

Item	Ref	Q.ty	Material	Note
2	H4R041	4	AISI 304	
3 + 5	H4R401	2	ABS	1/2" 1/2"
3 + 5	H4R403	2	ABS	3/4" 1/2"
4	H4R107	2	EPDM	90 x 5,3
5	H2R101	2	EPDM	19 x 2,65
6 + 7	H4R003	2-3	AISI 304 - Rubber	
8	H4R001	2-3	Rubber	
9	H4R081	1	ABS	
10	H4R101	1	EPDM	23,6 x 3,55
11	H4R209	4	AISI 304	M6 x 14
12 + 13	H4R601	2	ABS	
13	H2R101	4	EPDM	19 x 2,65



4" Membrane Vessels End Port Series 600 E-4



- Fiberglass reinforced plastic pressure vessels series 600 E-4, complete with 0,75" adapters, white painted, UVA-ray proof material;
- Max operating pressure 600 psi (41 bar);
- European 2014/68/EU Directive compliant for pressure equipment (PED);
- Built in accordance with ASME code section X;
- Each vessel is factory tested at 1,5 times max operating pressure;
- Feed/concentrate connections 3/4" BSPT M, in super duplex steel AISI 2507;
- Permeate connections 1/2" BSPT M;
- Straps and saddles included (n.2 pcs from 1 to 3 elements, n.3 pcs from 4 to 6 elements).

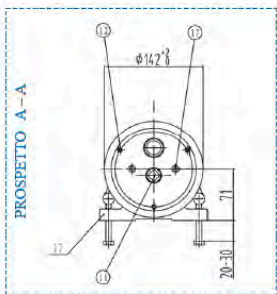
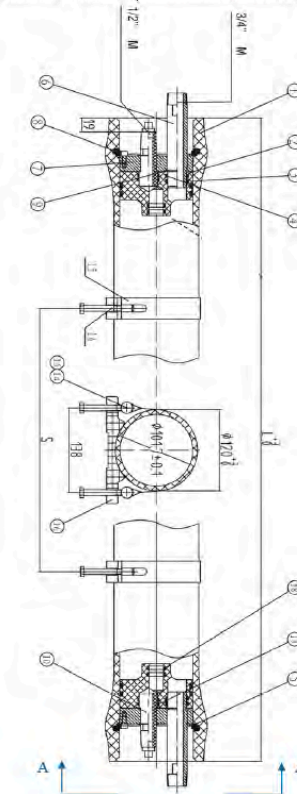
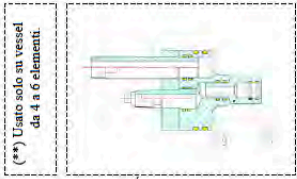
Ref	Description	Fam.	Subfam.	Disp. Stock
H4E4DV	RO VESSEL FRP 4" END-PORT 600 PSI 4021 3/4" BSPT M - 1/2" BSPT M	030	180	•
H4E4D1	RO VESSEL FRP 4" END-PORT 600 PSI 4040 3/4" BSPT M - 1/2" BSPT M	030	180	•
H4E4D2	RO VESSEL FRP 4" END-PORT 600 PSI 2EL 3/4" BSPT M - 1/2" BSPT M	030	180	
H4E4D3	RO VESSEL FRP 4" END-PORT 600 PSI 3EL 3/4" BSPT M - 1/2" BSPT M	030	180	
H4E4D4	RO VESSEL FRP 4" END-PORT 600 PSI 4EL 3/4" BSPT M - 1/2" BSPT M	030	180	

Ref	Elements	L (mm)	S (mm)
H4E4DV	1 x 21"	762	400
H4E4D1	1 x 40"	1244	600
H4E4D2	2 x 40"	2260	1200
H4E4D3	3 x 40"	3276	2200
H4E4D4	4 x 40"	4372	1600 x 2

Certificates	Manufacturer	Sectors
DM174-2004 CE	MWG	Industrial



4" Membrane Vessels End Port Series 1000 E-4



- Fiberglass reinforced plastic pressure vessels series 1000 E-4, complete with 0,75" adapters, white painted, UVA-ray proof material;
- Max operating pressure 1000 psi (69 bar);
- European 2014/68/EU Directive compliant for pressure equipment (PED);
- Built in accordance with ASME code section X;
- Each vessel is factory tested at 1,5 times max operating pressure;
- Feed/concentrate connections 3/4" BSPT M, in super duplex steel AISI 2507;
- Permeate connections 1/2" BSPT M;
- Straps and saddles included (n.2 pcs from 1 to 3 elements, n.3 pcs from 4 to 6 elements).

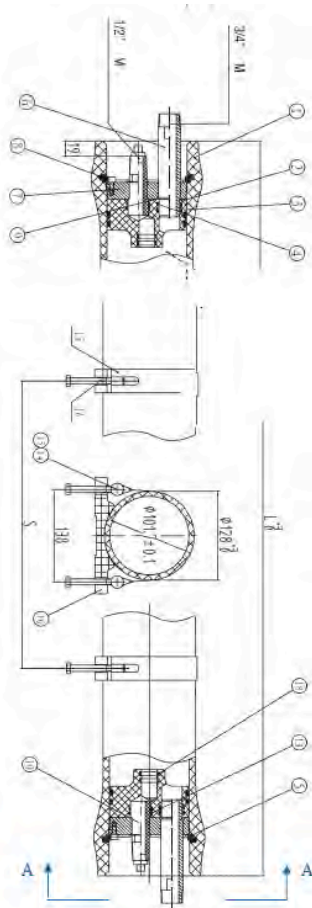
Ref	Description	Fam.	Subfam.	Disp. Stock
H4E4GV	RO VESSEL FRP 4" END-PORT 1000 PSI 4021 3/4" BSPT M - 1/2" BSPT M	030	180	•
H4E4G1	RO VESSEL FRP 4" END-PORT 1000 PSI 4040 3/4" BSPT M - 1/2" BSPT M	030	180	•
H4E4G2	RO VESSEL FRP 4" END-PORT 1000 PSI 2EL 3/4" BSPT M - 1/2" BSPT M	030	180	•
H4E4G3	RO VESSEL FRP 4" END-PORT 1000 PSI 3EL 3/4" BSPT M - 1/2" BSPT M	030	180	•
H4E4G4	RO VESSEL FRP 4" END-PORT 1000 PSI 4EL 3/4" BSPT M - 1/2" BSPT M	030	180	
H4E4G5	RO VESSEL FRP 4" END-PORT 1000 PSI 5EL 3/4" BSPT M - 1/2" BSPT M	030	180	
H4E4G6	RO VESSEL FRP 4" END-PORT 1000 PSI 6EL 3/4" BSPT M - 1/2" BSPT M	030	180	

Ref	Elements	L (mm)	S (mm)
H4E4GV	1 x 21"	762	400
H4E4G1	1 x 40"	1244	600
H4E4G2	2 x 40"	2260	1200
H4E4G3	3 x 40"	3276	2200
H4E4G4	4 x 40"	4372	1600 x 2
H4E4G5	5 x 40"	5388	2300 x 2
H4E4G6	6 x 40"	6404	2700 x 2

Certificates	Manufacturer	Sectors
DM174-2004 CE	MWG	Industrial



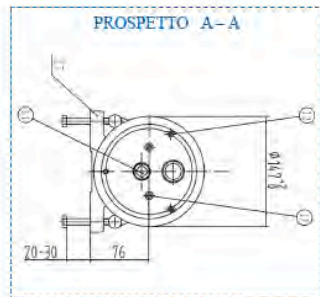
4" Membrane Vessels End Port Series 1200 E-4



- Fiberglass reinforced plastic pressure vessels series 1200 E-4, complete with 0,75" adapters, white painted, UVA-ray proof material;
- Max operating pressure 1200 psi (83 bar);
- European 2014/68/EU Directive compliant for pressure equipment (PED);
- Built in accordance with ASME code section X;
- Each vessel is factory tested at 1,5 times max operating pressure;
- Feed/concentrate connections 3/4" BSPT M, in super duplex steel AISI 2507;
- Permeate connections 1/2" BSPT M;
- Straps and saddles included (n.2 pcs from 1 to 3 elements, n.3 pcs from 4 to 6 elements).

Ref	Description	Fam.	Subfam.	Disp. Stock	
H4E4H1	RO VESSEL FRP 4" END-PORT 1200 PSI 4040 3/4" BSPT M - 1/2" BSPT M	030	180	•	
H4E4H2	RO VESSEL FRP 4" END-PORT 1200 PSI 2EL 3/4" BSPT M - 1/2" BSPT M	030	180	•	
H4E4H3	RO VESSEL FRP 4" END-PORT 1200 PSI 3EL 3/4" BSPT M - 1/2" BSPT M	030	180	•	
H4E4H4	RO VESSEL FRP 4" END-PORT 1200 PSI 4EL 3/4" BSPT M - 1/2" BSPT M	030	180		
H4E4H5	RO VESSEL FRP 4" END-PORT 1200 PSI 5EL 3/4" BSPT M - 1/2" BSPT M	030	180		
H4E4H6	RO VESSEL FRP 4" END-PORT 1200 PSI 6EL 3/4" BSPT M - 1/2" BSPT M	030	180		

Ref	Elements	L (mm)	S (mm)
H4E4H1	1 x 40"	1244	600
H4E4H2	2 x 40"	2260	1200
H4E4H3	3 x 40"	3276	2200
H4E4H4	4 x 40"	4372	1600 x 2
H4E4H5	5 x 40"	5388	2300 x 2
H4E4H6	6 x 40"	6404	2700 x 2

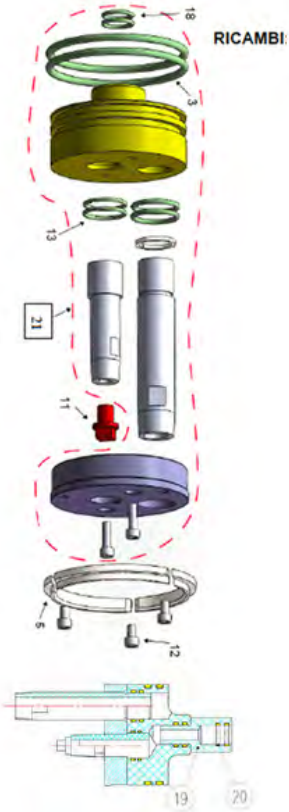


Certificates	Manufacturer	Sectors
DM174-2004 CE	MWG	Industrial



4" End Port Serie 600/1000/1200 psi Vessel spare parts

Spare parts



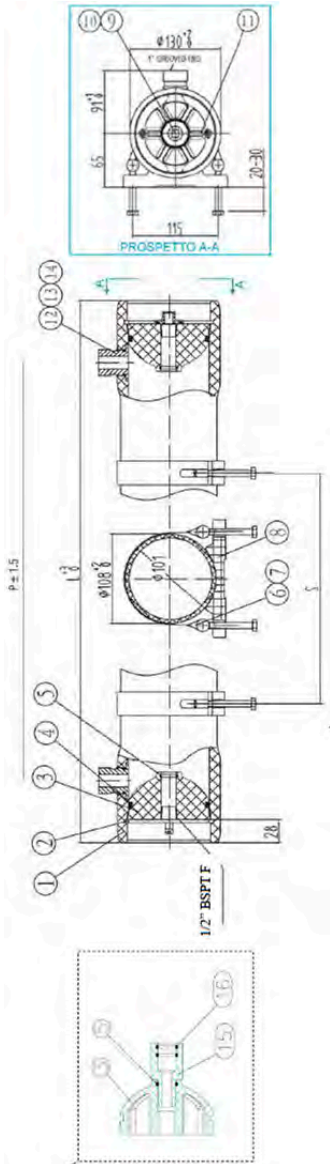
Ref	Description	Fam.	Subfam.	Disp. Stock	
H4R107	4" MPV HEAD SEAL IN EPDM FOR 300	030	180	•	
H4R045	4" MPV LOCKING KIT SEGMENT (3PCS) IN AISI 316 FOR 600-1200 PSI	030	180	•	
H4R083	4" MPV PLUG IN ABS FOR 600-1200 PSI	030	180	•	
H4R205	4" MPV SECURING SCREW IN ISI 304 FOR 600-1200 PSI	030	180	•	
H4R111	4" MPV PERMEATE PORT O-RING IN EPDM	030	180	•	
H4R005	4" MPV STRAP FOR 600-1000 PSI L=280 mm	030	180	•	
H4R001	4" MPV SADDLE FOR 300-1200 PSI	030	180	•	
H2R101	2,5" & 4" MPV ADAPTER SEAL IN EPDM FOR 300	030	180	•	
H4R601	4" MPV ADAPTER IN ABS FOR END/SIDE P 300-450 PSI + 600-1000-1200 END P	030	180	•	
H2R101	2,5" & 4" MPV ADAPTER SEAL IN EPDM FOR 300	030	180	•	
H4R707	4" MPV HEAD ASSEMBLY END PORT 600-1000-1200 PSI	030	180	•	

Item	Ref	Q.ty	Material	Note
3	H4R107	4	EPDM	90 x 5,3
5	H4R045	2	AISI 316	
11	H4R083	1	ABS	
12	H4R205	6	AISI 304	M6 x 20
13	H4R111	4	EPDM	25 x 2,65
14 + 15	H4R005	2-3	AISI 304 - Rubber	
16	H4R001	2-3	Rubber	
18	H2R101	4	EPDM	19 x 2,65
19 + 20	H4R601	2	ABS	
20	H2R101	4	EPDM	19 x 2,65
21	H4R707	2		



4" Membrane Vessels Side Port Series 300 S-4

- Fiberglass reinforced plastic pressure vessels series 300 S-4, D.75" direct connection, white painted, UVA-ray proof material;
- Max operating pressure 300 psi (21 bar);
- European 2014/68/EU Directive compliant for pressure equipment (PED);
- Built in accordance with ASME code section X;
- Each vessel is factory tested at 1,5 times max operating pressure;
- Feed/concentrate connections 1" Victaulic, 0° or 180° oriented;
- Permeate connections 1/2" BSPT F;
- Straps and saddles included (n.2 pcs from 1 to 3 elements, n.3 pcs from 4 to 6 elements).



Ref	Description	Fam.	Subfam.	Disp. Stock
H410B1	RO VESSEL FRP 4" SIDE-PORT 300 PSI 4040 1C5C - 1/2" BSPT F	030	180	
H410B2	RO VESSEL FRP 4" SIDE-PORT 300 PSI 2EL 1C5C - 1/2" BSPT F	030	180	
H410B3	RO VESSEL FRP 4" SIDE-PORT 300 PSI 3EL 1C5C - 1/2" BSPT F	030	180	
H410B4	RO VESSEL FRP 4" SIDE-PORT 300 PSI 4EL 1C5C - 1/2" BSPT F	030	180	
H410B5	RO VESSEL FRP 4" SIDE-PORT 300 PSI 5EL 1C5C - 1/2" BSPT F	030	180	
H410B6	RO VESSEL FRP 4" SIDE-PORT 300 PSI 6EL 1C5C - 1/2" BSPT F	030	180	
H412B1	RO VESSEL FRP 4" SIDE-PORT 300 PSI 4040 1C7C - 1/2" BSPT F	030	180	•
H412B2	RO VESSEL FRP 4" SIDE-PORT 300 PSI 2EL 1C7C - 1/2" BSPT F	030	180	•
H412B3	RO VESSEL FRP 4" SIDE-PORT 300 PSI 3EL 1C7C - 1/2" BSPT F	030	180	•
H412B4	RO VESSEL FRP 4" SIDE-PORT 300 PSI 4EL 1C7C - 1/2" BSPT F	030	180	
H412B5	RO VESSEL FRP 4" SIDE-PORT 300 PSI 5EL 1C7C - 1/2" BSPT F	030	180	
H412B6	RO VESSEL FRP 4" SIDE-PORT 300 PSI 6EL 1C7C - 1/2" BSPT F	030	180	

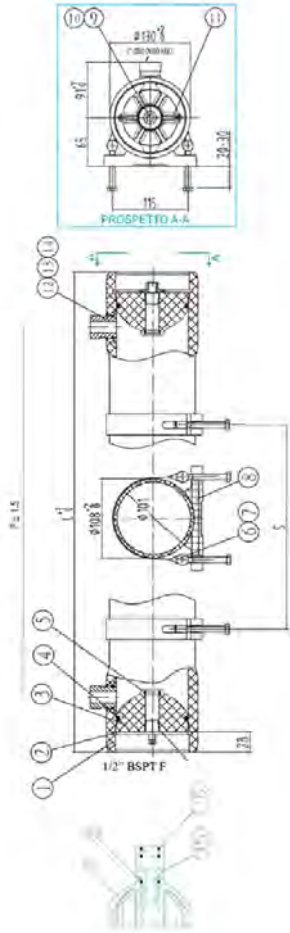
Ref	Elements	L (mm)	P (mm)	S (mm)	Orient.
H410B1	1 x 40"	1140	984	600	0°
H410B2	2 x 40"	2156	2000	1200	0°
H410B3	3 x 40"	3172	3016	2200	0°
H410B4	4 x 40"	4268	4112	1600 x 2	0°
H410B5	5 x 40"	5284	5128	2300 x 2	0°
H410B6	6 x 40"	6300	6144	2700 x 2	0°
H412B1	1 x 40"	1140	984	600	180°
H412B2	2 x 40"	2156	2000	1200	180°
H412B3	3 x 40"	3172	3016	2200	180°
H412B4	4 x 40"	4268	4112	1600 x 2	180°
H412B5	5 x 40"	5284	5128	2300 x 2	180°
H412B6	6 x 40"	6300	6144	2700 x 2	180°

Certificates	Manufacturer	Sectors
DM174-2004 CE	MWG	Industrial



4" Membrane Vessels Side Port Series 300 S-4

Spare parts



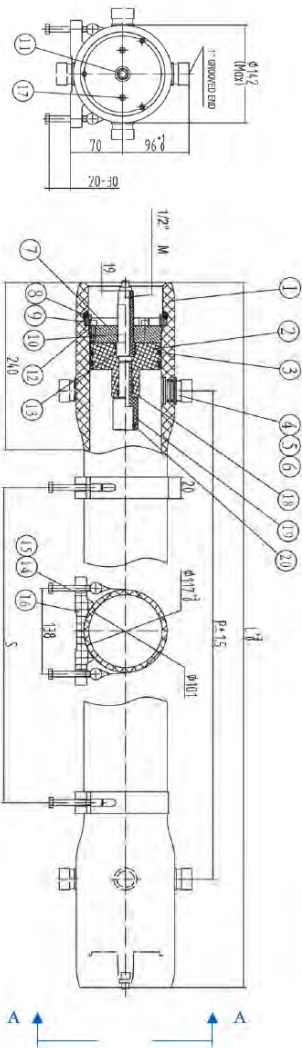
Ref	Description	Fam.	Subfam.	Disp. Stock	
H4R041	4" MPV SEEGER IN AISI 304 FOR 300-450 PSI	030	180	•	
H4R405	4" MPV END PLATE ABS WITH FOR MEATE PORT 1/2"BSPT FOR SIDE PORT 300 PSI	030	180	•	
H4R107	4" MPV HEAD SEAL IN EPDM FOR 300	030	180	•	
H2R101	2,5" & 4" MPV ADAPTER SEAL IN EPDM FOR 300	030	180	•	
H4R003	4" MPV STRAP FOR 300-450 PSI L=265 mm	030	180	•	
H4R001	4" MPV SADDLE FOR 300-1200 PSI	030	180	•	
H4R081	4" MPV PLUG IN ABS FOR 300-450 PSI	030	180	•	
H4R101	4" MPV O-RING IN EPDM OF PLUG 300-450 PSI	030	180	•	
H4R209	4" MPV SEEGER SCREW M6x14 IN AISI 304	030	180	•	
H4R601	4" MPV ADAPTER IN ABS FOR END/SIDE P 300-450 PSI + 600-1000-1200 END P	030	180	•	
H2R101	2,5" & 4" MPV ADAPTER SEAL IN EPDM FOR 300	030	180	•	

Item	Ref	Q.ty	Material	Note
2	H4R041	4	AISI 31	
3 + 5	H4R405	2	ABS	
4	H4R107	2	EPDM	90 x 5,3
5	H2R101	2	EPDM	19 x 2,65
6 + 7	H4R003	2-3	AISI 304 - Rubber	
8	H4R001	2-3	Rubber	
9	H4R081	1	ABS	
10	H4R101	1	EPDM	23,6 x 3,55
11	H4R209	4	AISI 304	M6 x 14
15 + 16	H4R601	2	ABS	
16	H2R101	4	EPDM	19 x 2,65



4" Membrane Vessels Side Port Series 600 S-4

PROSPETTO A-A



- Fiberglass reinforced plastic pressure vessels series 600 S-4, D.75" direct connection, white painted, UVA-ray proof material;
- Max operating pressure 600 psi (41 bar);
- European 2014/68/EU Directive compliant for pressure equipment (PED);
- Built in accordance with ASME code section X;
- Each vessel is factory tested at 1,5 times max operating pressure;
- Feed/conc. connections 1" Victaulic, 0° or 180° oriented, in super duplex steel AISI 2507;
- Permeate connections 1/2" BSPT M;
- Straps and saddles included (n.2 pcs from 1 to 3 elements, n.3 pcs from 4 to 6 elements).

Ref	Description	Fam.	Subfam.	Disp. Stock	
H410D1	RO VESSEL FRP 4" SIDE-PORT 600 PSI 4040 1C5C - 1/2" BSPT M	030	180		
H410D2	RO VESSEL FRP 4" SIDE-PORT 600 PSI 2EL 1C5C - 1/2" BSPT M	030	180		
H410D3	RO VESSEL FRP 4" SIDE-PORT 600 PSI 3EL 1C5C - 1/2" BSPT M	030	180		
H410D4	RO VESSEL FRP 4" SIDE-PORT 600 PSI 4EL 1C5C - 1/2" BSPT M	030	180		
H410D5	RO VESSEL FRP 4" SIDE-PORT 600 PSI 5EL 1C5C - 1/2" BSPT M	030	180		
H410D6	RO VESSEL FRP 4" SIDE-PORT 600 PSI 6EL 1C5C - 1/2" BSPT M	030	180		
H412D1	RO VESSEL FRP 4" SIDE-PORT 600 PSI 4040 1C7C - 1/2" BSPT M	030	180	•	
H412D2	RO VESSEL FRP 4" SIDE-PORT 600 PSI 2EL 1C7C - 1/2" BSPT M	030	180	•	
H412D3	RO VESSEL FRP 4" SIDE-PORT 600 PSI 3EL 1C7C - 1/2" BSPT M	030	180	•	
H412D4	RO VESSEL FRP 4" SIDE-PORT 600 PSI 4EL 1C7C - 1/2" BSPT M	030	180		
H412D5	RO VESSEL FRP 4" SIDE-PORT 600 PSI 5EL 1C7C - 1/2" BSPT M	030	180		
H412D6	RO VESSEL FRP 4" SIDE-PORT 600 PSI 6EL 1C7C - 1/2" BSPT M	030	180		

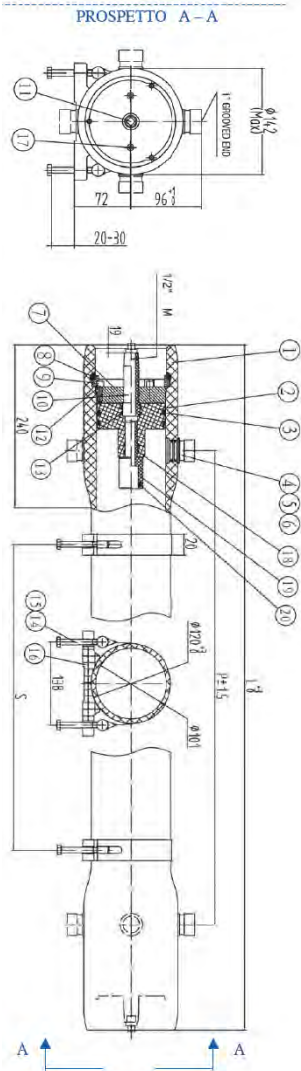
Ref	Elemets	L (mm)	P (mm)	S (mm)	Orient.
H410D1	1 x 40"	1364	1036	600	0°
H410D2	2 x 40"	2380	2052	1200	0°
H410D3	3 x 40"	3396	3068	2200	0°
H410D4	4 x 40"	4412	4084	1600 x 2	0°
H410D5	5 x 40"	5428	5100	2300 x 2	0°
H410D6	6 x 40"	6444	6116	2700 x 2	0°
H412D1	1 x 40"	1364	1036	600	180°
H412D2	2 x 40"	2380	2052	1200	180°
H412D3	3 x 40"	3396	3068	2200	180°
H412D4	4 x 40"	4412	4084	1600 x 2	180°
H412D5	5 x 40"	5428	5100	2300 x 2	180°
H412D6	6 x 40"	6444	6116	2700 x 2	180°

Certificates	Manufacturer	Sectors
DM174-2004 CE	MWG	Industrial



4" Membrane Vessels Side Port Series 1000 S-4

- Fiberglass reinforced plastic pressure vessels series 1000 S-4, D.75" direct connection, white painted, UVA-ray proof material;
- Max operating pressure 1000 psi (69 bar);
- European 2014/68/EU Directive compliant for pressure equipment (PED);
- Built in accordance with ASME code section X;
- Each vessel is factory tested at 1,5 times max operating pressure;
- Feed/conc. connections 1" Victaulic, 0° or 180° oriented, in super duplex steel AISI 2507;
- Permeate connections 1/2" BSPT M;
- Straps and saddles included (n.2 pcs from 1 to 3 elements, n.3 pcs from 4 to 6 elements).



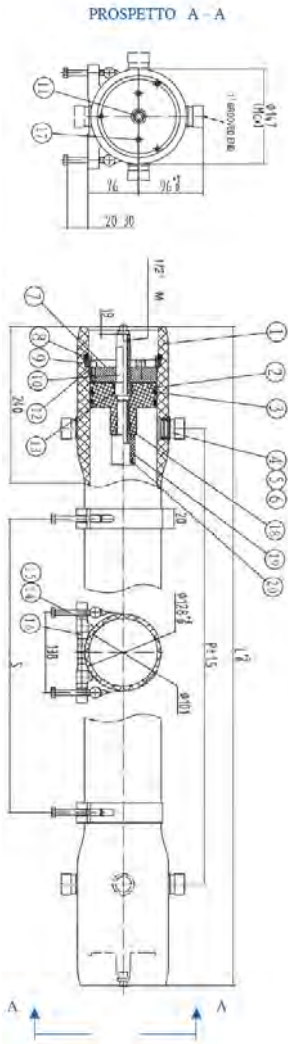
Ref	Description	Fam.	Subfam.	Disp. Stock	
H410G1	RO VESSEL FRP 4" SIDE-PORT 1000 PSI 4040 1C5C - 1/2" BSPT M	030	180		
H410G2	RO VESSEL FRP 4" SIDE-PORT 1000 PSI 2EL 1C5C - 1/2" BSPT M	030	180		
H410G3	RO VESSEL FRP 4" SIDE-PORT 1000 PSI 3EL 1C5C - 1/2" BSPT M	030	180		
H410G4	RO VESSEL FRP 4" SIDE-PORT 1000 PSI 4EL 1C5C - 1/2" BSPT M	030	180		
H410G5	RO VESSEL FRP 4" SIDE-PORT 1000 PSI 5EL 1C5C - 1/2" BSPT M	030	180		
H410G6	RO VESSEL FRP 4" SIDE-PORT 1000 PSI 6EL 1C5C - 1/2" BSPT M	030	180		
H412G1	RO VESSEL FRP 4" SIDE-PORT 1000 PSI 4040 1C7C - 1/2" BSPT M	030	180	•	
H412G2	RO VESSEL FRP 4" SIDE-PORT 1000 PSI 2EL 1C7C - 1/2" BSPT M	030	180	•	
H412G3	RO VESSEL FRP 4" SIDE-PORT 1000 PSI 3EL 1C7C - 1/2" BSPT M	030	180	•	
H412G4	RO VESSEL FRP 4" SIDE-PORT 1000 PSI 4EL 1C7C - 1/2" BSPT M	030	180		
H412G5	RO VESSEL FRP 4" SIDE-PORT 1000 PSI 5EL 1C7C - 1/2" BSPT M	030	180		
H412G6	RO VESSEL FRP 4" SIDE-PORT 1000 PSI 6EL 1C7C - 1/2" BSPT M	030	180		

Ref	Elements	L (mm)	P (mm)	S (mm)	Orient.
H410G1	1 x 40"	1364	1036	600	0°
H410G2	2 x 40"	2380	2052	1200	0°
H410G3	3 x 40"	3396	3068	2200	0°
H410G4	4 x 40"	4412	4084	1600 x 2	0°
H410G5	5 x 40"	5428	5100	2300 x 2	0°
H410G6	6 x 40"	6444	6116	2700 x 2	0°
H412G1	1 x 40"	1364	1036	600	180°
H412G2	2 x 40"	2380	2052	1200	180°
H412G3	3 x 40"	3396	3068	2200	180°
H412G4	4 x 40"	4412	4084	1600 x 2	180°
H412G5	5 x 40"	5428	5100	2300 x 2	180°
H412G6	6 x 40"	6444	6116	2700 x 2	180°

Certificates	Manufacturer	Sectors
DM174-2004 CE	MWG	Industrial



4" Membrane Vessels Side Port Series 1200 S-4



- Fiberglass reinforced plastic pressure vessels series 1200 S-4, D.75" direct connection, white painted, UVA-ray proof material;
- Max operating pressure 1200 psi (83 bar);
- European 2014/68/EU Directive compliant for pressure equipment (PED);
- Built in accordance with ASME code section X;
- Each vessel is factory tested at 1,5 times max operating pressure;
- Feed/conc. connections 1" Victaulic, 0° or 180° oriented, in super duplex steel AISI 2507;
- Permeate connections 1/2" BSPT M;
- Straps and saddles included (n.2 pcs from 1 to 3 elements, n.3 pcs from 4 to 6 elements).

Ref	Description	Fam.	Subfam.	Disp. Stock	
H410H1	RO VESSEL FRP 4" SIDE-PORT 1200 PSI 4040 1C5C - 1/2" BSPT M	030	180		
H410H2	RO VESSEL FRP 4" SIDE-PORT 1200 PSI 2EL 1C5C - 1/2" BSPT M	030	180		
H410H3	RO VESSEL FRP 4" SIDE-PORT 1200 PSI 3EL 1C5C - 1/2" BSPT M	030	180		
H410H4	RO VESSEL FRP 4" SIDE-PORT 1200 PSI 4EL 1C5C - 1/2" BSPT M	030	180		
H410H5	RO VESSEL FRP 4" SIDE-PORT 1200 PSI 5EL 1C5C - 1/2" BSPT M	030	180		
H410H6	RO VESSEL FRP 4" SIDE-PORT 1200 PSI 6EL 1C5C - 1/2" BSPT M	030	180		
H412H1	RO VESSEL FRP 4" SIDE-PORT 1200 PSI 4040 1C7C - 1/2" BSPT M	030	180	•	
H412H2	RO VESSEL FRP 4" SIDE-PORT 1200 PSI 2EL 1C7C - 1/2" BSPT M	030	180	•	
H412H3	RO VESSEL FRP 4" SIDE-PORT 1200 PSI 3EL 1C7C - 1/2" BSPT M	030	180	•	
H412H4	RO VESSEL FRP 4" SIDE-PORT 1200 PSI 4EL 1C7C - 1/2" BSPT M	030	180		
H412H5	RO VESSEL FRP 4" SIDE-PORT 1200 PSI 5EL 1C7C - 1/2" BSPT M	030	180		
H412H6	RO VESSEL FRP 4" SIDE-PORT 1200 PSI 6EL 1C7C - 1/2" BSPT M	030	180		

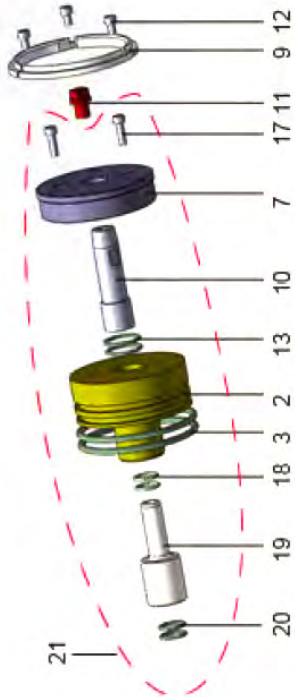
Ref	Elements	L (mm)	P (mm)	S (mm)	Orient.
H410H1	1 x 40"	1364	1036	600	0°
H410H2	2 x 40"	2380	2052	1200	0°
H410H3	3 x 40"	3396	3068	2200	0°
H410H4	4 x 40"	4412	4084	1600 x 2	0°
H410H5	5 x 40"	5428	5100	2300 x 2	0°
H410H6	6 x 40"	6444	6116	2700 x 2	0°
H412H1	1 x 40"	1364	1036	600	180°
H412H2	2 x 40"	2380	2052	1200	180°
H412H3	3 x 40"	3396	3068	2200	180°
H412H4	4 x 40"	4412	4084	1600 x 2	180°
H412H5	5 x 40"	5428	5100	2300 x 2	180°
H412H6	6 x 40"	6444	6116	2700 x 2	180°

Certificates	Manufacturer	Sectors
DM174-2004 CE	MWG	Industrial



4" Side Port 600-1000-1200 Psi Vessel spare parts

Spare parts



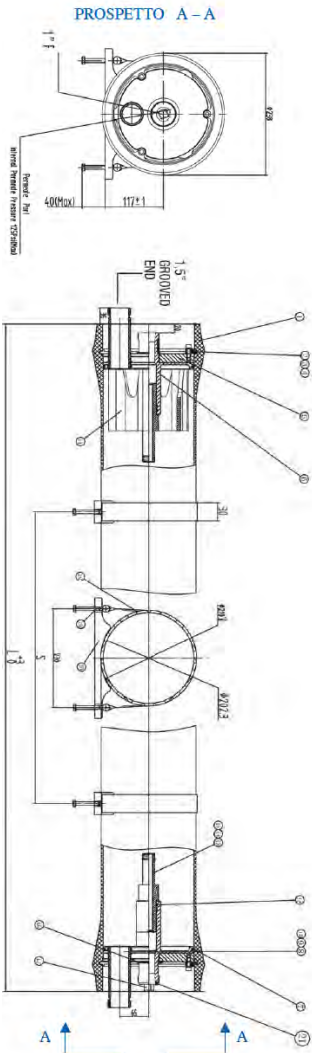
Ref	Description	Fam.	Subfam.	Disp. Stock	
H4R107	4" MPV HEAD SEAL IN EPDM FOR 300	030	180	•	
H4R045	4" MPV LOCKING KIT SEGMENT (3PCS) IN AISI 316 FOR 600-1200 PSI	030	180	•	
H4R083	4" MPV PLUG IN ABS FOR 600-1200 PSI	030	180	•	
H4R205	4" MPV SECURING SCREW IN ISI 304 FOR 600-1200 PSI	030	180	•	
H4R111	4" MPV PERMEATE PORT O-RING IN EPDM	030	180	•	
H4R005	4" MPV STRAP FOR 600-1000 PSI L=280 mm	030	180	•	
H4R001	4" MPV SADDLE FOR 300-1200 PSI	030	180	•	
H4R113	4" MPV O-RING OF SEALING PLATE	030	180	•	
H4R603	4" MPV ADAPTER IN ABS FOR SIDE PORT 600-1000-1200 PSI	030	180	•	
H2R101	2,5" & 4" MPV ADAPTER SEAL IN EPDM FOR 300	030	180	•	
H4R717	4" MPV HEAD ASSEMBLY SIDE PORT 600-1000-1200 PSI	030	180	•	

Item	Ref	Q.ty	Material	Note
3	H4R107	4	EPDM	90 x 5,3
9	H4R045	2	AISI 316	
11	H4R083	1	ABS	
12	H4R205	6	AISI 304	M6 x 20
13	H4R111	4	EPDM	25 x 2,65
Non Visual	H4R005	2 - 3	AISI 304 - Rubber	
Non Visual	H4R001	2 - 3	Rubber	
18	H4R113	4	EPDM	17 x 2,65
19 + 20	H4R603	2	ABS	
20	H2R101	4	EPDM	19 x 2,65
21	H4R717	2		



8" Membrane Vessels End Port Series 300 E-8

- Fiberglass reinforced plastic pressure vessels series 300 E-8, white painted, UVA-ray proof material;
- Max operating pressure 300 psi (21 bar);
- European 2014/68/EU Directive compliant for pressure equipment (PED);
- Built in accordance with ASME code section X;
- Each vessel is factory tested at 1,5 times max operating pressure;
- Feed/concentrate connections 1 ½" Victaulic in AISI 316;
- Permeate connections 1" BSPT F;
- Straps and saddles included (n.2 pcs from 1 to 3 elements, n.3 pcs from 4 to 7 elements);
- 1,125" membrane adapters included.



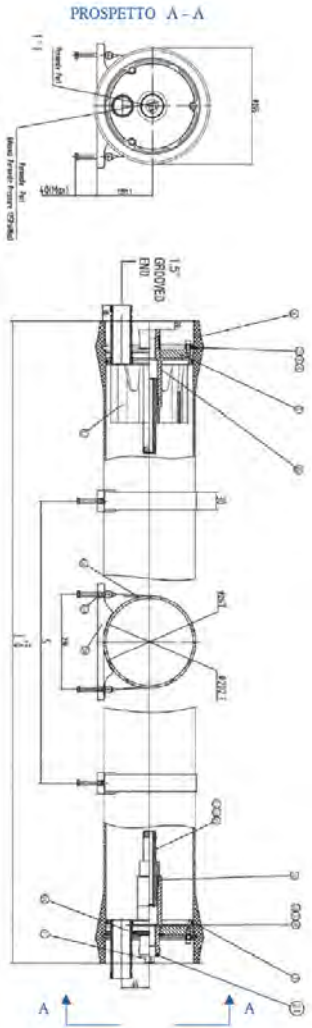
Ref	Description	Fam.	Subfam.	Disp. Stock
H8E5B1	RO VESSEL FRP 8" END-PORT 300 PSI 1EL 1,5" VICT. - 1" BSPT F	035	180	•
H8E5B2	RO VESSEL FRP 8" END-PORT 300 PSI 2EL 1,5" VICT. - 1" BSPT F	035	180	•
H8E5B3	RO VESSEL FRP 8" END-PORT 300 PSI 3EL 1,5" VICT. - 1" BSPT F	035	180	•
H8E5B4	RO VESSEL FRP 8" END-PORT 300 PSI 4EL 1,5" VICT. - 1" BSPT F	035	180	•
H8E5B5	RO VESSEL FRP 8" END-PORT 300 PSI 5EL 1,5" VICT. - 1" BSPT F	035	180	•
H8E5B6	RO VESSEL FRP 8" END-PORT 300 PSI 6EL 1,5" VICT. - 1" BSPT F	035	180	•
H8E5B7	RO VESSEL FRP 8" END-PORT 300 PSI 7EL 1,5" VICT. - 1" BSPT F	035	180	

Ref	Elements	L (mm)	S (mm)
H8E5B1	1 x 40"	1498	700
H8E5B2	2 x 40"	2514	1460
H8E5B3	3 x 40"	3530	2080
H8E5B4	4 x 40"	4546	1600 x 2
H8E5B5	5 x 40"	5562	2000 x 2
H8E5B6	6 x 40"	6578	2360 x 2
H8E5B7	7 x 40"	7594	2860 x 2

Certificates	Manufacturer	Sectors
DM174-2004 CE	MWG	Industrial



8" Membrane Vessels End Port Series 450 E-8



- Fiberglass reinforced plastic pressure vessels series 450 E-8, white painted, UVA-ray proof material;
- Max operating pressure 450 psi (31 bar);
- European 2014/68/EU Directive compliant for pressure equipment (PED);
- Built in accordance with ASME code section X;
- Each vessel is factory tested at 1,5 times max operating pressure;
- Feed/concentrate connections 1 ½" Victaulic in AISI 316;
- Permeate connections 1" BSPT F;
- Straps and saddles included (n.2 pcs from 1 to 3 elements, n.3 pcs from 4 to 7 elements);
- 1,125" membrane adapters included.

Ref	Description	Fam.	Subfam.	Disp. Stock	
H8E5C1	RO VESSEL FRP 8" END-PORT 450 PSI 1EL 1,5" VICT. - 1" BSPT F	035	180	•	
H8E5C2	RO VESSEL FRP 8" END-PORT 450 PSI 2EL 1,5" VICT. - 1" BSPT F	035	180	•	
H8E5C3	RO VESSEL FRP 8" END-PORT 450 PSI 3EL 1,5" VICT. - 1" BSPT F	035	180	•	
H8E5C4	RO VESSEL FRP 8" END-PORT 450 PSI 4EL 1,5" VICT. - 1" BSPT F	035	180		
H8E5C5	RO VESSEL FRP 8" END-PORT 450 PSI 5EL 1,5" VICT. - 1" BSPT F	035	180		
H8E5C6	RO VESSEL FRP 8" END-PORT 450 PSI 6EL 1,5" VICT. - 1" BSPT F	035	180		
H8E5C7	RO VESSEL FRP 8" END-PORT 450 PSI 7EL 1,5" VICT. - 1" BSPT F	035	180		

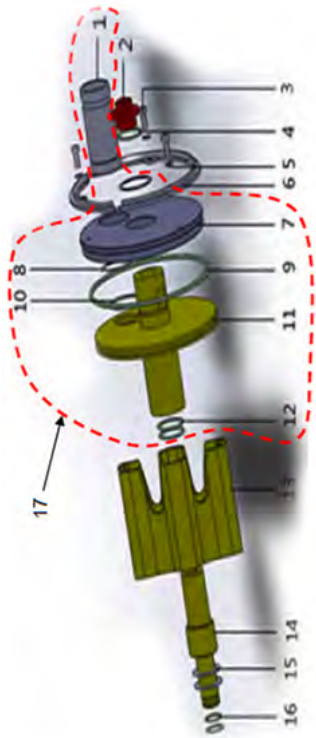
Ref	Elements	L (mm)	S (mm)
H8E5C1	1 x 40"	1498	700
H8E5C2	2 x 40"	2514	1460
H8E5C3	3 x 40"	3530	2080
H8E5C4	4 x 40"	4546	1600 x 2
H8E5C5	5 x 40"	5562	2000 x 2
H8E5C6	6 x 40"	6578	2360 x 2
H8E5C7	7 x 40"	7594	2860 x 2

Certificates	Manufacturer	Sectors
DM174-2004 CE	MWG	Industrial



8" End Port 300-450 Psi Vessels spare parts

Spare parts

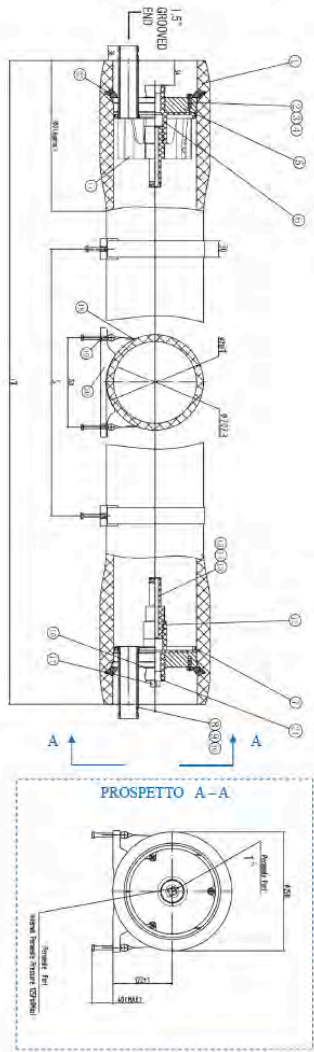


Ref	Description	Fam.	Subfam.	Disp. Stock	
H8R081	8" MPV PLUG IN ABS FOR 300-1200 PSI	035	180	•	
H8R203	8" MPV LOCKING SEGMENT SCREW IN AISI 304	035	180	•	
H8R081	8" MPV PLUG IN ABS FOR 300-1200 PSI	035	180	•	
H8R031	8" MPV SPRING PAD IN AISI 304 FOR LOCKING SEGMENT SCREW	035	180	•	
H8R041	8" MPV LOCKING SEGMENT IN AISI 304 FOR 300-450 PSI	035	180	•	
H8R107	8" MPV HEAD SEAL IN EPDM FOR 300	035	180	•	
H8R109	8" MPV FEED CONCENTRATE PORT SEAL IN EPDM FOR END PORT 300	035	180	•	
H8R111	8" MPV PWT SEAL IN EPDM FOR 300	035	180	•	
H8R061	8" MPV THRUST CONE IN ABS FOR END PORT 300-450 PSI	035	180	•	
H8R601	8" MPV 1,125" ADAPTER IN ABS FOR 300-450 PSI	035	180	•	
H8R651	8" MPV 1,125" ADAPTER PAD IN ABS	035	180	•	
H8R113	8" MPV 1,125" ADAPTER O-RING IN EPDM FOR 300	035	180	•	
H8R701	8" MPV HEAD ASSEMBLY END PORT 300 PSI	035	180	•	
H8R703	8" MPV HEAD ASSEMBLY END PORT 450 PSI	035	180	•	
H8R001	8" MPV SADDLE FOR 300-1200 PSI	035	180	•	
H8R005	8" MPV STRAP FOR 300-450 PSI L=530 MM	035	180	•	

Item	Ref	Material
2	H8R081	ABS
3	H8R203	AISI 304
4	H8R081	EPDM
5	H8R031	AISI 304
6	H8R041	AISI 304
9	H8R107	EPDM
10	H8R109	EPDM
12	H8R111	EPDM
13	H8R061	ABS
14 + 16	H8R601	ABS
15	H8R651	ABS
16	H8R113	EPDM
17	H8R701	
17	H8R703	
Non Visual	H8R001	Rubber
Non Visual	H8R005	AISI 304 - Rubber



8" Membrane Vessels End Port Series 600 E-8



- Fiberglass reinforced plastic pressure vessels series 600 E-8, white painted, UVA-ray proof material;
- Max operating pressure 600 psi (41 bar);
- European 2014/68/EU Directive compliant for pressure equipment (PED);
- Built in accordance with ASME code section X;
- Each vessel is factory tested at 1,5 times max operating pressure;
- Feed/concentrate connections 1 ½" Victaulic in super duplex steel AISI 2507;
- Permeate connections 1" BSPT F;
- Straps and saddles included (n.2 pcs from 1 to 3 elements, n.3 pcs from 4 to 7 elements);
- 1,125" membrane adapters included.

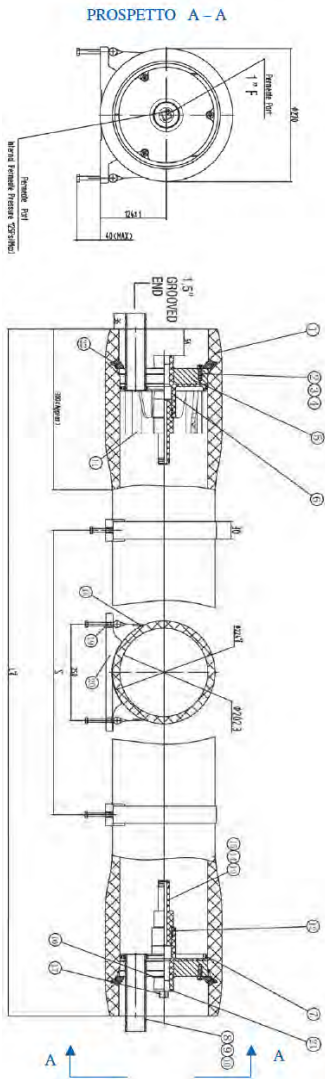
Ref	Description	Fam.	Subfam.	Disp. Stock	
H8E5D1	RO VESSEL FRP 8" END-PORT 600 PSI 1EL 1,5" VICT. - 1" BSPT F	035	180	•	
H8E5D2	RO VESSEL FRP 8" END-PORT 600 PSI 2EL 1,5" VICT. - 1" BSPT F	035	180	•	
H8E5D3	RO VESSEL FRP 8" END-PORT 600 PSI 3EL 1,5" VICT. - 1" BSPT F	035	180		
H8E5D4	RO VESSEL FRP 8" END-PORT 600 PSI 4EL 1,5" VICT. - 1" BSPT F	035	180		
H8E5D5	RO VESSEL FRP 8" END-PORT 600 PSI 5EL 1,5" VICT. - 1" BSPT F	035	180		
H8E5D6	RO VESSEL FRP 8" END-PORT 600 PSI 6EL 1,5" VICT. - 1" BSPT F	035	180		
H8E5D7	RO VESSEL FRP 8" END-PORT 600 PSI 7EL 1,5" VICT. - 1" BSPT F	035	180		

Ref	Elements	L (mm)	S (mm)
H8E5D1	1 x 40"	1514	700
H8E5D2	2 x 40"	2530	1460
H8E5D3	3 x 40"	3546	2080
H8E5D4	4 x 40"	4562	1600 x 2
H8E5D5	5 x 40"	5578	2000 x 2
H8E5D6	6 x 40"	6594	2360 x 2
H8E5D7	7 x 40"	7610	2860 x 2

Certificates	Manufacturer	Sectors
DM174-2004 CE	MWG	Industrial



8" Membrane Vessels End Port Series 1000 E-8



- Fiberglass reinforced plastic pressure vessels series 1000 E-8, white painted, UVA-ray proof material;
- Max operating pressure 1000 psi (69 bar);
- European 2014/68/EU Directive compliant for pressure equipment (PED);
- Built in accordance with ASME code section X;
- Each vessel is factory tested at 1,5 times max operating pressure;
- Feed/concentrate connections 1 ½" Victaulic in super duplex steel AISI 2507;
- Permeate connections 1" BSPT F;
- Straps and saddles included (n.2 pcs from 1 to 3 elements, n.3 pcs from 4 to 7 elements);
- 1,125" membrane adapters included.

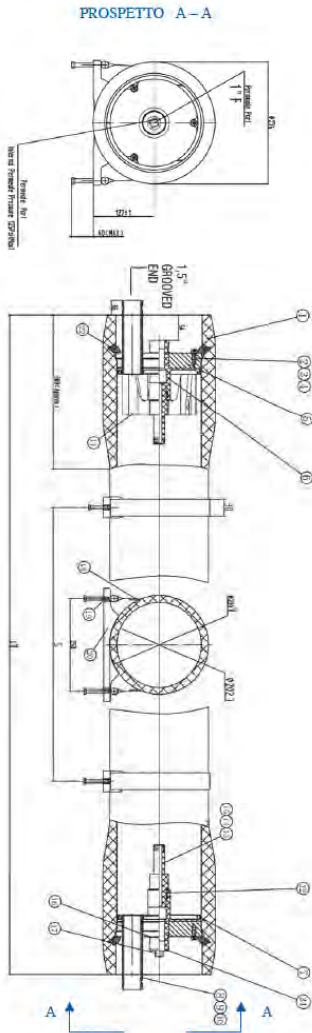
Ref	Description	Fam.	Subfam.	Disp. Stock
H8E5G1	RO VESSEL FRP 8" END-PORT 1000 PSI 1EL 1,5" VICT. - 1" BSPT F	035	180	•
H8E5G2	RO VESSEL FRP 8" END-PORT 1000 PSI 2EL 1,5" VICT. - 1" BSPT F	035	180	•
H8E5G3	RO VESSEL FRP 8" END-PORT 1000 PSI 3EL 1,5" VICT. - 1" BSPT F	035	180	•
H8E5G4	RO VESSEL FRP 8" END-PORT 1000 PSI 4EL 1,5" VICT. - 1" BSPT F	035	180	
H8E5G5	RO VESSEL FRP 8" END-PORT 1000 PSI 5EL 1,5" VICT. - 1" BSPT F	035	180	
H8E5G6	RO VESSEL FRP 8" END-PORT 1000 PSI 6EL 1,5" VICT. - 1" BSPT F	035	180	
H8E5G7	RO VESSEL FRP 8" END-PORT 1000 PSI 7EL 1,5" VICT. - 1" BSPT F	035	180	

Ref	Elements	L (mm)	S (mm)
H8E5G1	1 x 40"	1514	700
H8E5G2	2 x 40"	2530	1460
H8E5G3	3 x 40"	3546	2080
H8E5G4	4 x 40"	4562	1600 x 2
H8E5G5	5 x 40"	5578	2000 x 2
H8E5G6	6 x 40"	6594	2360 x 2
H8E5G7	7 x 40"	7610	2860 x 2

Certificates	Manufacturer	Sectors
DM174-2004 CE	MWG	Industrial



8" Membrane Vessels End Port Series 1200 E-8



- Fiberglass reinforced plastic pressure vessels series 1000 E-8, white painted, UVA-ray proof material;
- Max operating pressure 1200 psi (83 bar);
- European 2014/68/EU Directive compliant for pressure equipment (PED);
- Built in accordance with ASME code section X;
- Each vessel is factory tested at 1,5 times max operating pressure;
- Feed/concentrate connections 1 ½" Victaulic in super duplex steel AISI 2507;
- Permeate connections 1" BSPT F;
- Straps and saddles included (n.2 pcs from 1 to 3 elements, n.3 pcs from 4 to 7 elements);
- 1,125" membrane adapters included.

Ref	Description	Fam.	Subfam.	Disp. Stock	
H8E5H1	RO VESSEL FRP 8" END-PORT 1200 PSI 1EL 1,5" VICT. - 1" BSPT F	035	180	•	
H8E5H2	RO VESSEL FRP 8" END-PORT 1200 PSI 2EL 1,5" VICT. - 1" BSPT F	035	180	•	
H8E5H3	RO VESSEL FRP 8" END-PORT 1200 PSI 3EL 1,5" VICT. - 1" BSPT F	035	180	•	
H8E5H4	RO VESSEL FRP 8" END-PORT 1200 PSI 4EL 1,5" VICT. - 1" BSPT F	035	180		
H8E5H5	RO VESSEL FRP 8" END-PORT 1200 PSI 5EL 1,5" VICT. - 1" BSPT F	035	180		
H8E5H6	RO VESSEL FRP 8" END-PORT 1200 PSI 6EL 1,5" VICT. - 1" BSPT F	035	180		
H8E5H7	RO VESSEL FRP 8" END-PORT 1200 PSI 7EL 1,5" VICT. - 1" BSPT F	035	180		

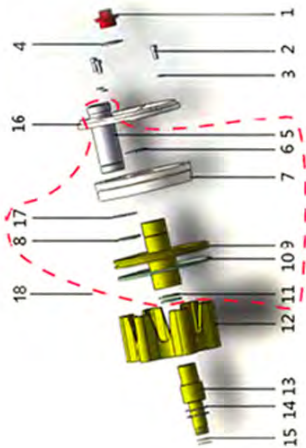
Ref	Elements	L (mm)	S (mm)
H8E5H1	1 x 40"	1514	700
H8E5H2	2 x 40"	2530	1460
H8E5H3	3 x 40"	3546	2080
H8E5H4	4 x 40"	4562	1600 x 2
H8E5H5	5 x 40"	5578	2000 x 2
H8E5H6	6 x 40"	6594	2360 x 2
H8E5H7	7 x 40"	7610	2860 x 2

Certificates	Manufacturer	Sectors
DM174-2004 CE	MWG	Industrial



8" End Port 600-1000-1200 Psi Vessels spare parts

Spare parts



Ref	Description	Fam.	Subfam.	Disp. Stock	
H8R081	8" MPV PLUG IN ABS FOR 300-1200 PSI	035	180	•	
H8R203	8" MPV LOCKING SEGMENT SCREW IN AISI 304	035	180	•	
H8R031	8" MPV SPRING PAD IN AISI 304 FOR LOCKING SEGMENT SCREW	035	180	•	
H8R111	8" MPV PWT SEAL IN EPDM FOR 300	035	180	•	
H8R109	8" MPV FEED CONCENTRATE PORT SEAL IN EPDM FOR END PORT 300	035	180	•	
FBEFR11	MWG EUROFLOW SEAL	040	114	•	
H8R111	8" MPV PWT SEAL IN EPDM FOR 300	035	180	•	
H8R063	8" MPV THRUST CONE IN ABS FOR END PORT 600-1000-1200 PSI	035	180	•	
H8R603	8" MPV 1,125" ADAPTER IN ABS FOR 600-1200 PSI	035	180	•	
H8R613	8" MPV 1,5" ADAPTER IN ABS FOR 600-1200 PSI	035	180	•	
H8R651	8" MPV 1,125" ADAPTER PAD IN ABS	035	180	•	
H8R653	8" MPV 1,5" ADAPTER PAD IN ABS FOR 300-1200 PSI	035	180	•	
H8R113	8" MPV 1,125" ADAPTER O-RING IN EPDM FOR 300	035	180	•	
H8R115	8" MPV 1,5" ADAPTER O-RING IN EPDM FOR 300-1200 PSI	035	180	•	
H8R045	8" MPV LOCKING KIT (N.3 SEGMENTS) IN AISI 304 FOR 600-1000-1200 PSI	035	180	•	
H8R705	8" MPV HEAD ASSEMBLY END PORT 600 PSI	035	180	•	
H8R707	8" MPV HEAD ASSEMBLY END PORT 1000 PSI	035	180	•	
H8R709	8" MPV HEAD ASSEMBLY END PORT 1200 PSI	035	180	•	
H8R001	8" MPV SADDLE FOR 300-1200 PSI	035	180	•	
H8R009	8" MPV STRAP FOR 600-1200 PSI L=580 MM	035	180	•	

Item	Ref.	Material
1	H8R081	ABS
2	H8R203	AISI 304
3	H8R031	AISI 304
4	H8R111	EPDM
8	H8R109	EPDM
10	FBEFR11	EPDM
11	H8R111	EPDM
12	H8R063	ABS
13 + 15	H8R603	ABS
13 + 15	H8R613	ABS
14	H8R651	ABS
14	H8R653	ABS
15	H8R113	EPDM
15	H8R115	EPDM
16	H8R045	AISI 304
18	H8R705	
18	H8R707	
18	H8R709	
Non Visual	H8R001	Rubber
Non Visual	H8R009	AISI 304 - Rubber



8" Side Port Vessels Feed/Concentrate Port Options

Each vessel 8" side port can have maximum 3 ports per each end, located in 4 different positions 90° among them. The drawing shows the numbers of different positions.

Each port can have three different dimensions:

D = 1 1/2" (standard connection)

E = 2"

F = 2 1/2"

G = 3"

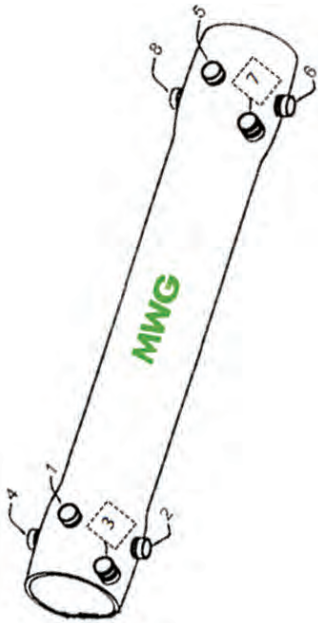
H = 4"

Note: a 2 1/2" port is not allowed at 90° from any other.

To determine the required configuration, identify the ports starting from N°1 with relevant dimension, complete this side and identify the opposite end.

Example: vessel with ports 1 & 5 connection 1 1/2", ports 2 & 6 connection 2".

The configuration is: 1D 5D 2E 6E



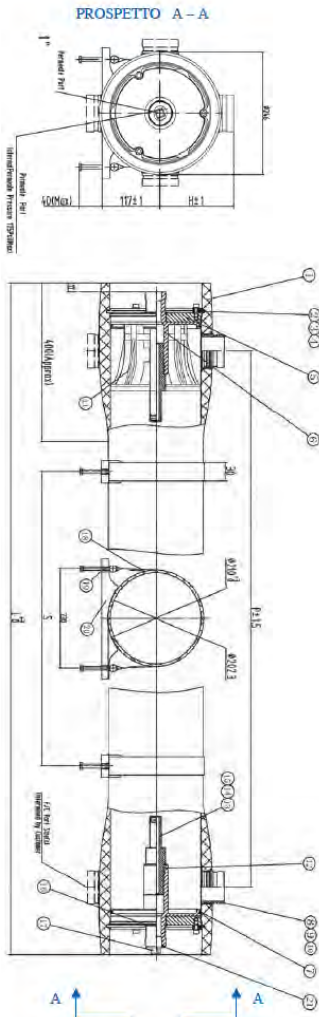
Options for MWG 8" side port vessels

Vessel 8"	Vessel 8"	Add one extra port	Add one extra port	Add one extra port	Add one extra port
		1,5"	2"	2,5"	3"
Pressure (psi)	Material				
300	AISI 316				
450	AISI 316				
600	Super Duplex 2507				
1000	Super Duplex 2507				
1200	Super Duplex 2507				

Vessel 8"	Vessel 8"	UP GRADE port	from	UP GRADE port	from	UP GRADE port	from	UP GRADE port	from
		1,5"		2"		2,5"		3"	
Pressure (psi)	Material								
300	AISI 316								
450	AISI 316								
600	Super Duplex 2507								
1000	Super Duplex 2507								
1200	Super Duplex 2507								



8" Membrane Vessels Side Port Series 300 S-8



- Fiberglass reinforced plastic pressure vessels series 300 S-8, white painted, UVA-ray proof material;
- Max operating pressure 300 psi (21 bar);
- European 2014/68/EU Directive compliant for pressure equipment (PED);
- Built in accordance with ASME code section X;
- Each vessel is factory tested at 1,5 times max operating pressure;
- Feed/concentrate connections 1 1/2" or 2" Victaulic (optional 2 1/2" or 3");
- Permeate connections 1" BSPT F;
- Straps and saddles included (n.2 pcs from 1 to 3 elements, n.3 pcs from 4 to 7 elements);
- 1,125" membrane adapters included;
- version from 2 to 7 ports (see list of options).

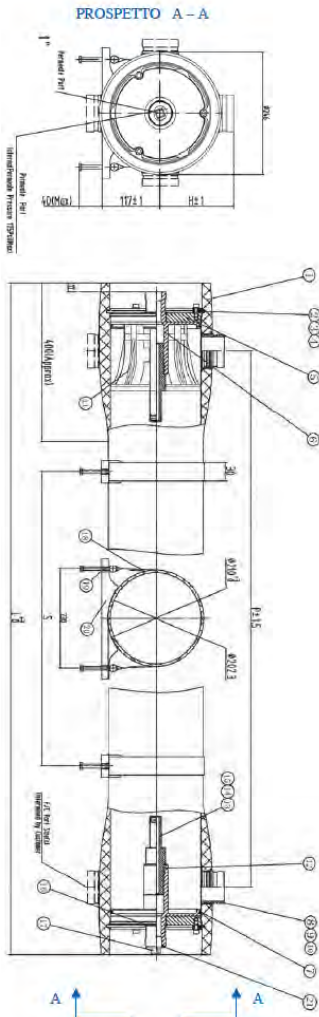
Ref. Connections 1,5"	Description	Fam.	Subfam.	Disp. Stock	
H815B1	RO VESSEL FRP 8" SIDE-PORT 300 PSI 1EL 1D5D - 1" BSPT F	035	180		
H817B1	RO VESSEL FRP 8" SIDE-PORT 300 PSI 1EL 1D7D - 1" BSPT F	035	180		
H815B2	RO VESSEL FRP 8" SIDE-PORT 300 PSI 2EL 1D5D - 1" BSPT F	035	180		
H817B2	RO VESSEL FRP 8" SIDE-PORT 300 PSI 2EL 1D7D - 1" BSPT F	035	180		
H815B3	RO VESSEL FRP 8" SIDE-PORT 300 PSI 3EL 1D5D - 1" BSPT F	035	180		
H817B3	RO VESSEL FRP 8" SIDE-PORT 300 PSI 3EL 1D7D - 1" BSPT F	035	180		
H815B4	RO VESSEL FRP 8" SIDE-PORT 300 PSI 4EL 1D5D - 1" BSPT F	035	180		
H817B4	RO VESSEL FRP 8" SIDE-PORT 300 PSI 4EL 1D7D - 1" BSPT F	035	180		
H815B5	RO VESSEL FRP 8" SIDE-PORT 300 PSI 5EL 1D5D - 1" BSPT F	035	180		
H817B5	RO VESSEL FRP 8" SIDE-PORT 300 PSI 5EL 1D7D - 1" BSPT F	035	180		
H815B6	RO VESSEL FRP 8" SIDE-PORT 300 PSI 6EL 1D5D - 1" BSPT F	035	180		
H817B6	RO VESSEL FRP 8" SIDE-PORT 300 PSI 6EL 1D7D - 1" BSPT F	035	180		
H815B7	RO VESSEL FRP 8" SIDE-PORT 300 PSI 7EL 1D5D - 1" BSPT F	035	180		
H817B7	RO VESSEL FRP 8" SIDE-PORT 300 PSI 7EL 1D7D - 1" BSPT F	035	180		

Ref. Connections 1,5"	Elements	L (mm)	P (mm)	S (mm)	Orient. 0°-180°
H815B1	1 x 40"	1494	1194	700	0°
H817B1	1 x 40"	1494	1194	700	180°
H815B2	2 x 40"	2510	2210	1460	0°
H817B2	2 x 40"	2510	2210	1460	180°
H815B3	3 x 40"	3526	3226	2080	0°
H817B3	3 x 40"	3526	3226	2080	180°
H815B4	4 x 40"	4542	4242	1600 x 2	0°
H817B4	4 x 40"	4542	4242	1600 x 2	180°
H815B5	5 x 40"	5558	5258	2000 x 2	0°
H817B5	5 x 40"	5558	5258	2000 x 2	180°
H815B6	6 x 40"	6574	6274	2360 x 2	0°
H817B6	6 x 40"	6574	6274	2360 x 2	180°
H815B7	7 x 40"	7590	7290	2860 x 2	0°
H817B7	7 x 40"	7590	7290	2860 x 2	180°

Certificates	Manufacturer	Sectors
DM174-2004 CE	MWG	Industrial



8" Membrane Vessels Side Port Series 300 S-8



Ref	Connections 2"	Description	Fam.	Subfam.	Disp. Stock	
H820B1		RO VESSEL FRP 8" SIDE-PORT 300 PSI 1EL 1E5E - 1" BSPT F	035	180		
H822B1		RO VESSEL FRP 8" SIDE-PORT 300 PSI 1EL 1E7E-1" BSPT F	035	180	•	
H820B2		RO VESSEL FRP 8" SIDE-PORT 300 PSI 2EL 1E5E - 1" BSPT F	035	180		
H822B2		RO VESSEL FRP 8" SIDE-PORT 300 PSI 2EL 1E7E-1" BSPT F	035	180	•	
H820B3		RO VESSEL FRP 8" SIDE-PORT 300 PSI 3EL 1E5E - 1" BSPT F	035	180		
H822B3		RO VESSEL FRP 8" SIDE-PORT 300 PSI 3EL 1E7E-1" BSPT F	035	180	•	
H820B4		RO VESSEL FRP 8" SIDE-PORT 300 PSI 4EL 1E5E-1" BSPT F	035	180	•	
H822B4		RO VESSEL FRP 8" SIDE-PORT 300 PSI 4EL 1E7E-1" BSPT F	035	180		
H820B5		RO VESSEL FRP 8" SIDE-PORT 300 PSI 5EL 1E5E-1" BSPT F	035	180	•	
H822B5		RO VESSEL FRP 8" SIDE-PORT 300 PSI 5EL 1E7E - 1" BSPT F	035	180		
H820B6		RO VESSEL FRP 8" SIDE-PORT 300 PSI 6EL 1E5E-1" BSPT F	035	180	•	
H822B6		RO VESSEL FRP 8" SIDE-PORT 300 PSI 6EL 1E7E - 1" BSPT F	035	180		

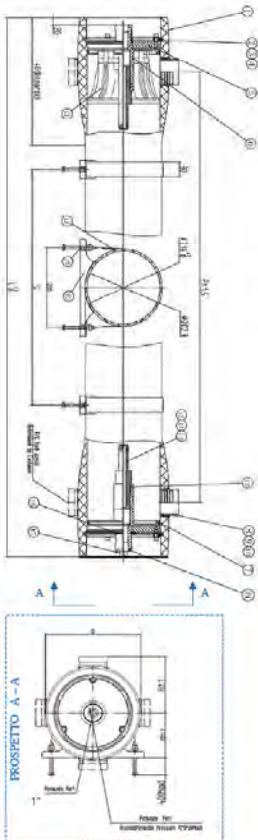
Ref	Connections 2"	Elements	L (mm)	P (mm)	S (mm)	Orient. 0°-180°
H820B1		1 x 40"	1494	1194	700	0°
H822B1		1 x 40"	1494	1194	700	180°
H820B2		2 x 40"	2510	2210	1460	0°
H822B2		2 x 40"	2510	2210	1460	180°
H820B3		3 x 40"	3526	3226	2080	0°
H822B3		3 x 40"	3526	3226	2080	180°
H820B4		4 x 40"	4542	4242	1600 x 2	0°
H822B4		4 x 40"	4542	4242	1600 x 2	180°
H820B5		5 x 40"	5558	5258	2000 x 2	0°
H822B5		5 x 40"	5558	5258	2000 x 2	180°
H820B6		6 x 40"	6574	6274	2360 x 2	0°
H822B6		6 x 40"	6574	6274	2360 x 2	180°

Certificates	Manufacturer	Sectors
DM174-2004 CE	MWG	Industrial



8" Membrane Vessels Side Port Series 450 S-8

- Fiberglass reinforced plastic pressure vessels series 450 S-8, white painted, UVA-ray proof material;
- Max operating pressure 450 psi (31 bar);
- European 2014/68/EU Directive compliant for pressure equipment (PED);
- Built in accordance with ASME code section X;
- Each vessel is factory tested at 1,5 times max operating pressure;
- Feed/concentrate connections 1 ½" Victaulic (optional 2", 2 ½" or 3");
- Permeate connections 1" BSPT F;
- Straps and saddles included (n.2 pcs from 1 to 3 elements, n.3 pcs from 4 to 7 elements);
- 1,125" membrane adapters included;
- Version from 2 to 7 ports (see list of options).



Ref	Description	Fam.	Subfam.	Disp. Stock	
H815C1	RO VESSEL FRP 8" SIDE-PORT 450 PSI 1EL 1D5D - 1" BSPT F	035	180		
H817C1	RO VESSEL FRP 8" SIDE-PORT 450 PSI 1EL 1D7D - 1" BSPT F	035	180		
H815C2	RO VESSEL FRP 8" SIDE-PORT 450 PSI 2EL 1D5D - 1" BSPT F	035	180		
H817C2	RO VESSEL FRP 8" SIDE-PORT 450 PSI 2EL 1D7D - 1" BSPT F	035	180		
H815C3	RO VESSEL FRP 8" SIDE-PORT 450 PSI 3EL 1D5D - 1" BSPT F	035	180		
H817C3	RO VESSEL FRP 8" SIDE-PORT 450 PSI 3EL 1D7D - 1" BSPT F	035	180		
H815C4	RO VESSEL FRP 8" SIDE-PORT 450 PSI 4EL 1D5D - 1" BSPT F	035	180		
H817C4	RO VESSEL FRP 8" SIDE-PORT 450 PSI 4EL 1D7D - 1" BSPT F	035	180		
H815C5	RO VESSEL FRP 8" SIDE-PORT 450 PSI 5EL 1D5D - 1" BSPT F	035	180		
H817C5	RO VESSEL FRP 8" SIDE-PORT 450 PSI 5EL 1D7D - 1" BSPT F	035	180		
H815C6	RO VESSEL FRP 8" SIDE-PORT 450 PSI 6EL 1D5D - 1" BSPT F	035	180		
H817C6	RO VESSEL FRP 8" SIDE-PORT 450 PSI 6EL 1D7D - 1" BSPT F	035	180		
H815C7	RO VESSEL FRP 8" SIDE-PORT 450 PSI 7EL 1D5D - 1" BSPT F	035	180		
H817C7	RO VESSEL FRP 8" SIDE-PORT 450 PSI 7EL 1D7D - 1" BSPT F	035	180		

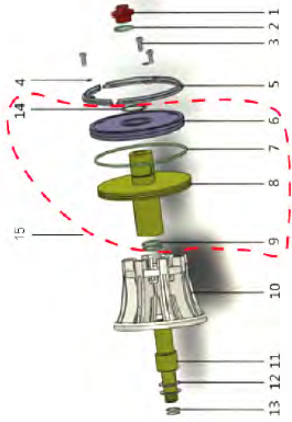
Ref	Elements	L (mm)	P (mm)	S (mm)	Orient. 0°-180°
H815C1	1 x 40"	1494	1194	700	0°
H817C1	1 x 40"	1494	1194	700	180°
H815C2	2 x 40"	2510	2210	1460	0°
H817C2	2 x 40"	2510	2210	1460	180°
H815C3	3 x 40"	3530	3226	2080	0°
H817C3	3 x 40"	3530	3226	2080	180°
H815C4	4 x 40"	4546	4242	1600 x 2	0°
H817C4	4 x 40"	4546	4242	1600 x 2	180°
H815C5	5 x 40"	5562	5258	2000 x 2	0°
H817C5	5 x 40"	5562	5258	2000 x 2	180°
H815C6	6 x 40"	6578	6274	2360 x 2	0°
H817C6	6 x 40"	6578	6274	2360 x 2	180°
H815C7	7 x 40"	7594	7290	2860 x 2	0°
H817C7	7 x 40"	7594	7290	2860 x 2	180°

Certificates	Manufacturer	Sectors
DM174-2004, CE	MWG	Industrial



8" Side Port 300-450 Psi Vessels spare parts

Spare parts

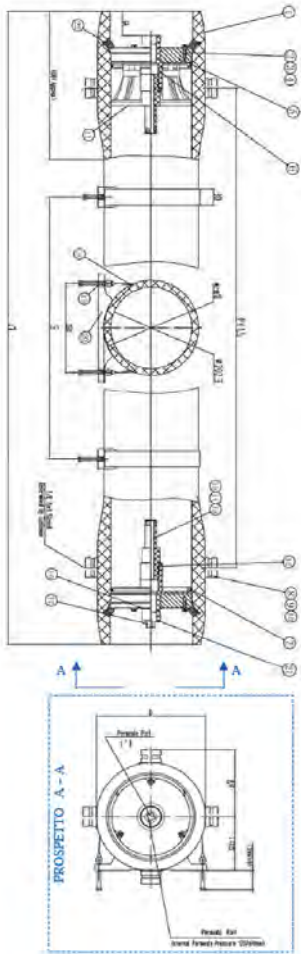


Ref	Description	Fam.	Subfam.	Disp. Stock	
H8R081	8" MPV PLUG IN ABS FOR 300-1200 PSI	035	180	•	
H8R111	8" MPV PWT SEAL IN EPDM FOR 300	035	180	•	
H8R203	8" MPV LOCKING SEGMENT SCREW IN AISI 304	035	180	•	
H8R031	8" MPV SPRING PAD IN AISI 304 FOR LOCKING SEGMENT SCREW	035	180	•	
H8R041	8" MPV LOCKING SEGMENT IN AISI 304 FOR 300-450 PSI	035	180	•	
H8R107	8" MPV HEAD SEAL IN EPDM FOR 300	035	180	•	
H8R111	8" MPV PWT SEAL IN EPDM FOR 300	035	180	•	
H8R071	8" MPV THRUST CONE IN ABS FOR SIDE PORT 300-450 PSI	035	180	•	
H8R601	8" MPV 1,125" ADAPTER IN ABS FOR 300-450 PSI	035	180	•	
H8R611	8" MPV 1,5" ADAPTER IN ABS FOR 300-450 PSI	035	180	•	
H8R651	8" MPV 1,125" ADAPTER PAD IN ABS	035	180	•	
H8R653	8" MPV 1,5" ADAPTER PAD IN ABS FOR 300-1200 PSI	035	180	•	
H8R113	8" MPV 1,125" ADAPTER O-RING IN EPDM FOR 300	035	180	•	
H8R115	8" MPV 1,5" ADAPTER O-RING IN EPDM FOR 300-1200 PSI	035	180	•	
H8R711	8" MPV HEAD ASSEMBLY SIDE PORT 300 PSI	035	180	•	
H8R713	8" MPV HEAD ASSEMBLY SIDE PORT 450 PSI	035	180	•	
H8R001	8" MPV SADDLE FOR 300-1200 PSI	035	180	•	
H8R005	8" MPV STRAP FOR 300-450 PSI L=530 MM	035	180	•	

Item	Ref	Material
1	H8R081	ABS
2	H8R111	EPDM
3	H8R203	AISI 304
4	H8R031	AISI 304
5	H8R041	AISI 304
8	H8R107	EPDM
9	H8R111	EPDM
10	H8R071	ABS
11 + 13	H8R601	ABS
11 + 13	H8R611	ABS
12	H8R651	ABS
12	H8R653	ABS
13	H8R113	EPDM
13	H8R115	EPDM
15	H8R711	
15	H8R713	
Non Visual	H8R001	Rubber
Non Visual	H8R005	AISI 304 - Rubber



8" Membrane Vessels Side Port Series 600 S-8



- Fiberglass reinforced plastic pressure vessels series 600 S-8, white painted, UVA-ray proof material;
- Max operating pressure 600 psi (41 bar);
- European 2014/68/EU Directive compliant for pressure equipment (PED);
- Built in accordance with ASME code section X;
- Each vessel is factory tested at 1,5 times max operating pressure;
- Feed/concentrate connections 1 ½" Victaulic (optional 2", 2 ½" or 3") in super duplex steel AISI 2507;
- Permeate connections 1" BSPT F;
- Straps and saddles included (n.2 pcs from 1 to 3 elements, n.3 pcs from 4 to 7 elements);
- 1,125" membrane adapters included;
- Version from 2 to 7 ports (see list of options).

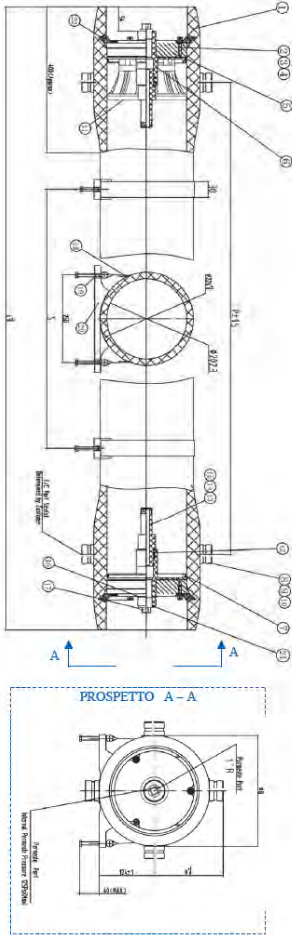
Ref	Description	Fam.	Subfam.	Disp. Stock	
H815D1	RO VESSEL FRP 8" SIDE-PORT 600 PSI 1EL 1D5D - 1" BSPT F	035	180		
H817D1	RO VESSEL FRP 8" SIDE-PORT 600 PSI 1EL 1D7D - 1" BSPT F	035	180		
H815D2	RO VESSEL FRP 8" SIDE-PORT 600 PSI 2EL 1D5D - 1" BSPT F	035	180		
H817D2	RO VESSEL FRP 8" SIDE-PORT 600 PSI 2EL 1D7D - 1" BSPT F	035	180		
H815D3	RO VESSEL FRP 8" SIDE-PORT 600 PSI 3EL 1D5D - 1" BSPT F	035	180		
H817D3	RO VESSEL FRP 8" SIDE-PORT 600 PSI 3EL 1D7D - 1" BSPT F	035	180		
H815D4	RO VESSEL FRP 8" SIDE-PORT 600 PSI 4EL 1D5D - 1" BSPT F	035	180		
H817D4	RO VESSEL FRP 8" SIDE-PORT 600 PSI 4EL 1D7D - 1" BSPT F	035	180		
H815D5	RO VESSEL FRP 8" SIDE-PORT 600 PSI 5EL 1D5D - 1" BSPT F	035	180		
H817D5	RO VESSEL FRP 8" SIDE-PORT 600 PSI 5EL 1D7D - 1" BSPT F	035	180		
H815D6	RO VESSEL FRP 8" SIDE-PORT 600 PSI 6EL 1D5D - 1" BSPT F	035	180		
H817D6	RO VESSEL FRP 8" SIDE-PORT 600 PSI 6EL 1D7D - 1" BSPT F	035	180		
H815D7	RO VESSEL FRP 8" SIDE-PORT 600 PSI 7EL 1D5D - 1" BSPT F	035	180		
H817D7	RO VESSEL FRP 8" SIDE-PORT 600 PSI 7EL 1D7D - 1" BSPT F	035	180		

Ref	Elements	L (mm)	P (mm)	S (mm)	Orient. 0°-180°
H815D1	1 x 40"	1514	1143	700	0°
H817D1	1 x 40"	1514	1143	700	180°
H815D2	2 x 40"	2530	2159	1460	0°
H817D2	2 x 40"	2530	2159	1460	180°
H815D3	3 x 40"	3546	3175	2080	0°
H817D3	3 x 40"	3546	3175	2080	180°
H815D4	4 x 40"	4562	4191	1600 x 2	0°
H817D4	4 x 40"	4562	4191	1600 x 2	180°
H815D5	5 x 40"	5578	5207	2000 x 2	0°
H817D5	5 x 40"	5578	5207	2000 x 2	180°
H815D6	6 x 40"	6594	6223	2360 x 2	0°
H817D6	6 x 40"	6594	6223	2360 x 2	180°
H815D7	7 x 40"	7610	7239	2860 x 2	0°
H817D7	7 x 40"	7610	7239	2860 x 2	180°

Certificates	Manufacturer	Sectors
DM174-2004 CE	MWG	Industrial



8" Membrane Vessels Side Port Series 1000 S-8



- Fiberglass reinforced plastic pressure vessels series 600 S-8, white painted, UVA-ray proof material;
- Max operating pressure 600 psi (41 bar);
- European 2014/68/EU Directive compliant for pressure equipment (PED);
- Built in accordance with ASME code section X;
- Each vessel is factory tested at 1,5 times max operating pressure;
- Feed/concentrate connections 1 ½" Victaulic (optional 2", 2 ½" or 3") in super duplex steel AISI 2507;
- Permeate connections 1" BSPT F;
- Straps and saddles included (n.2 pcs from 1 to 3 elements, n.3 pcs from 4 to 7 elements);
- 1,125" membrane adapters included;
- Version from 2 to 7 ports (see list of options).

Ref	Description	Fam.	Subfam.	Disp. Stock	
H815G1	RO VESSEL FRP 8" SIDE-PORT 1000 PSI 1EL 1D5D - 1" BSPT F	035	180		
H817G1	RO VESSEL FRP 8" SIDE-PORT 1000 PSI 1EL 1D7D - 1" BSPT F	035	180		
H815G2	RO VESSEL FRP 8" SIDE-PORT 1000 PSI 2EL 1D5D - 1" BSPT F	035	180		
H817G2	RO VESSEL FRP 8" SIDE-PORT 1000 PSI 2EL 1D7D - 1" BSPT F	035	180		
H815G3	RO VESSEL FRP 8" SIDE-PORT 1000 PSI 3EL 1D5D - 1" BSPT F	035	180		
H817G3	RO VESSEL FRP 8" SIDE-PORT 1000 PSI 3EL 1D7D - 1" BSPT F	035	180		
H815G4	RO VESSEL FRP 8" SIDE-PORT 1000 PSI 4EL 1D5D - 1" BSPT F	035	180		
H817G4	RO VESSEL FRP 8" SIDE-PORT 1000 PSI 4EL 1D7D - 1" BSPT F	035	180		
H815G5	RO VESSEL FRP 8" SIDE-PORT 1000 PSI 5EL 1D5D - 1" BSPT F	035	180		
H817G5	RO VESSEL FRP 8" SIDE-PORT 1000 PSI 5EL 1D7D - 1" BSPT F	035	180		
H815G6	RO VESSEL FRP 8" SIDE-PORT 1000 PSI 6EL 1D5D - 1" BSPT F	035	180		
H817G6	RO VESSEL FRP 8" SIDE-PORT 1000 PSI 6EL 1D7D - 1" BSPT F	035	180		
H815G7	RO VESSEL FRP 8" SIDE-PORT 1000 PSI 7EL 1D5D - 1" BSPT F	035	180		
H817G7	RO VESSEL FRP 8" SIDE-PORT 1000 PSI 7EL 1D7D - 1" BSPT F	035	180		

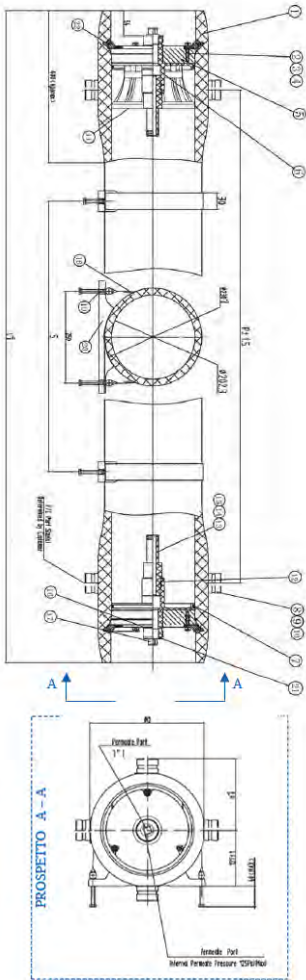
Ref	Elements	L (mm)	P (mm)	S (mm)	Orient. 0° - 180°
H815G1	1 x 40"	1514	1143	700	0°
H817G1	1 x 40"	1514	1143	700	180°
H815G2	2 x 40"	2530	2159	1460	0°
H817G2	2 x 40"	2530	2159	1460	180°
H815G3	3 x 40"	3546	3175	2080	0°
H817G3	3 x 40"	3546	3175	2080	180°
H815G4	4 x 40"	4562	4191	1600 x 2	0°
H817G4	4 x 40"	4562	4191	1600 x 2	180°
H815G5	5 x 40"	5578	5207	2000 x 2	0°
H817G5	5 x 40"	5578	5207	2000 x 2	180°
H815G6	6 x 40"	6594	6223	2360 x 2	0°
H817G6	6 x 40"	6594	6223	2360 x 2	180°
H815G7	7 x 40"	7610	7239	2860 x 2	0°
H817G7	7 x 40"	7610	7239	2860 x 2	180°

Certificates	Manufacturer	Sectors
DM174-2004, CE	MWG	Industrial



8" Membrane Vessels Side Port Series 1200 S-8

- Fiberglass reinforced plastic pressure vessels series 1200 S-8, white painted, UVA-ray proof material;
- Max operating pressure 1200 psi (83 bar);
- European 2014/68/EU Directive compliant for pressure equipment (PED);
- Built in accordance with ASME code section X;
- Each vessel is factory tested at 1,5 times max operating pressure;
- Feed/concentrate connections 1 ½" Victaulic (optional 2", 2 ½" or 3") in super duplex steel AISI 2507;
- Permeate connections 1" BSPT F;
- Straps and saddles included (n.2 pcs from 1 to 3 elements, n.3 pcs from 4 to 7 elements);
- 1,125" membrane adapters included;
- Version from 2 to 7 ports (see list of options).



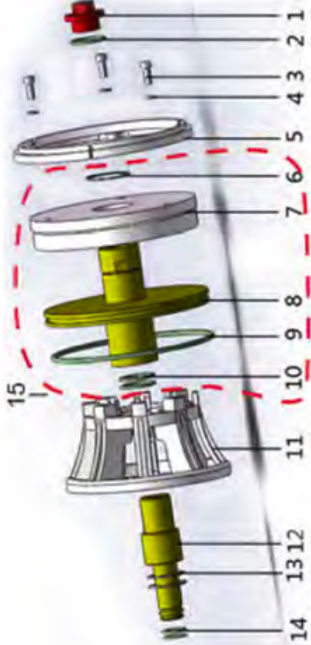
Ref	Description	Fam.	Subfam.	Disp. Stock	
H815H1	RO VESSEL FRP 8" SIDE-PORT 1200 PSI 1EL 1D5D - 1" BSPT F	035	180		
H817H1	RO VESSEL FRP 8" SIDE-PORT 1200 PSI 1EL 1D7D - 1" BSPT F	035	180		
H815H2	RO VESSEL FRP 8" SIDE-PORT 1200 PSI 2EL 1D5D - 1" BSPT F	035	180		
H817H2	RO VESSEL FRP 8" SIDE-PORT 1200 PSI 2EL 1D7D - 1" BSPT F	035	180		
H815H3	RO VESSEL FRP 8" SIDE-PORT 1200 PSI 3EL 1D5D - 1" BSPT F	035	180		
H817H3	RO VESSEL FRP 8" SIDE-PORT 1200 PSI 3EL 1D7D - 1" BSPT F	035	180		
H815H4	RO VESSEL FRP 8" SIDE-PORT 1200 PSI 4EL 1D5D - 1" BSPT F	035	180		
H817H4	RO VESSEL FRP 8" SIDE-PORT 1200 PSI 4EL 1D7D - 1" BSPT F	035	180		
H815H5	RO VESSEL FRP 8" SIDE-PORT 1200 PSI 5EL 1D5D - 1" BSPT F	035	180		
H817H5	RO VESSEL FRP 8" SIDE-PORT 1200 PSI 5EL 1D7D - 1" BSPT F	035	180		
H815H6	RO VESSEL FRP 8" SIDE-PORT 1200 PSI 6EL 1D5D - 1" BSPT F	035	180		
H817H6	RO VESSEL FRP 8" SIDE-PORT 1200 PSI 6EL 1D7D - 1" BSPT F	035	180		
H815H7	RO VESSEL FRP 8" SIDE-PORT 1200 PSI 7EL 1D5D - 1" BSPT F	035	180		
H817H7	RO VESSEL FRP 8" SIDE-PORT 1200 PSI 7EL 1D7D - 1" BSPT F	035	180		

Ref	Elemets	L (mm)	P (mm)	S (mm)	Orient. 0°-180°
H815H1	1 x 40"	1514	1143	700	0°
H817H1	1 x 40"	1514	1143	700	180°
H815H2	2 x 40"	2530	2159	1460	0°
H817H2	2 x 40"	2530	2159	1460	180°
H815H3	3 x 40"	3546	3175	2080	0°
H817H3	3 x 40"	3546	3175	2080	180°
H815H4	4 x 40"	4562	4191	1600 x 2	0°
H817H4	4 x 40"	4562	4191	1600 x 2	180°
H815H5	5 x 40"	5578	5207	2000 x 2	0°
H817H5	5 x 40"	5578	5207	2000 x 2	180°
H815H6	6 x 40"	6594	6223	2360 x 2	0°
H817H6	6 x 40"	6594	6223	2360 x 2	180°
H815H7	7 x 40"	7610	7239	2860 x 2	0°
H817H7	7 x 40"	7610	7239	2860 x 2	180°

Certificates	Manufacturer	Sectors
DM174-2004, CE	MWG	Industrial



8" Side Port 600-1000-1200 Psi Vessels spare parts Spare parts



Ref	Description	Fam.	Sotto Fam.	Disp. Stock	
H8R081	8" MPV PLUG IN ABS FOR 300-1200 PSI	035	180	•	
H8R111	8" MPV PWT SEAL IN EPDM FOR 300	035	180	•	
H8R203	8" MPV LOCKING SEGMENT SCREW IN AISI 304	035	180	•	
H8R031	8" MPV SPRING PAD IN AISI 304 FOR LOCKING SEGMENT SCREW	035	180	•	
H8R045	8" MPV LOCKING KIT (N.3 SEGMENTS) IN AISI 304 FOR 600-1000-1200 PSI	035	180	•	
FBEFR11	O-RING PER MWG EUROFLOW	040	114	•	
H8R111	8" MPV PWT SEAL IN EPDM FOR 300	035	180	•	
H8R073	8" MPV THRUST CONE IN ABS FOR SIDE PORT 600-1000-1200 PSI	035	180	•	
H8R603	8" MPV 1,125" ADAPTER IN ABS FOR 600-1200 PSI	035	180	•	
H8R613	8" MPV 1,5" ADAPTER IN ABS FOR 600-1200 PSI	035	180	•	
H8R651	8" MPV 1,125" ADAPTER PAD IN ABS	035	180	•	
H8R653	8" MPV 1,5" ADAPTER PAD IN ABS FOR 300-1200 PSI	035	180	•	
H8R113	8" MPV 1,125" ADAPTER O-RING IN EPDM FOR 300	035	180	•	
H8R115	8" MPV 1,5" ADAPTER O-RING IN EPDM FOR 300-1200 PSI	035	180	•	
H8R715	8" MPV HEAD ASSEMBLY SIDE PORT 600 PSI	035	180	•	
H8R717	8" MPV HEAD ASSEMBLY SIDE PORT 1000 PSI	035	180	•	
H8R719	8" MPV HEAD ASSEMBLY SIDE PORT 1200 PSI	035	180	•	
H8R001	8" MPV SADDLE FOR 300-1200 PSI	035	180	•	
H8R009	8" MPV STRAP FOR 600-1200 PSI L=580 MM	035	180	•	

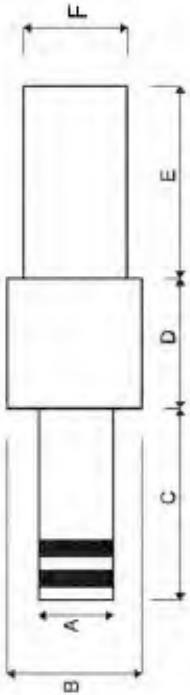
Rif.N.	Ref	Materiale
1	H8R081	ABS
2	H8R111	EPDM
3	H8R203	AISI 304
4	H8R031	AISI 304
5	H8R045	AISI 304
9	FBEFR11	EPDM
10	H8R111	EPDM
11	H8R073	ABS
12 + 14	H8R603	ABS
12 + 14	H8R613	ABS
13	H8R651	ABS
13	H8R653	ABS
14	H8R113	EPDM
14	H8R115	EPDM
15	H8R715	
15	H8R717	
15	H8R719	
Non Visual	H8R001	Gomma
Non Visual	H8R009	AISI 304 Gomma



8" Membrane Adapters

Suitable for 8" membranes;

Material PVC complete with o-rings.



Ref	Description	Fam.	Subfam.	Disp. Stock	
H8R601	8" MPV 1,125" ADAPTER IN ABS FOR 300-450 PSI	035	180	•	
H8R611	8" MPV 1,5" ADAPTER IN ABS FOR 300-450 PSI	035	180	•	
H8R603	8" MPV 1,125" ADAPTER IN ABS FOR 600-1200 PSI	035	180	•	
H8R613	8" MPV 1,5" ADAPTER IN ABS FOR 600-1200 PSI	035	180	•	
EA340	8" ADAPTER ABS D. 1,44" X 1,125" MALE CON O-RING P/N 10125	035	180		

Ref	Material	A	B	C	D	E	F	For Membrane	For Vessel
H8R601	ABS	28,3 (1,125")	46	70	38	70	36,5	BW30-400 or similar	MWG
H8R611	ABS	38 (1,5")	50	70	36	70	36,55	BW30LE440 or similar	MWG
H8R603	ABS	28,3 (1,125")	46	70	38	53	36,5	BW30-400 or similar	MWG
H8R613	ABS	38 (1,5")	50	70	36	53	36,55	BW30LE440 or similar	MWG
EA340	ABS	28,5 (1,125")	48	65	45	67	36,7	BW30-400 or similar	

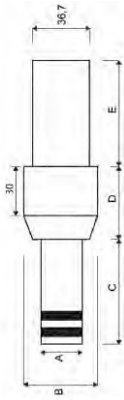
Ref Adatters	Ref O-Ring	Description	Fam.	Subfam.	Disp. Stock	
H8R601	H8R113	8" MPV 1,125" ADAPTER O-RING IN EPDM FOR 300	035	180		
H8R611	H8R115	8" MPV 1,5" ADAPTER O-RING IN EPDM FOR 300-1200 PSI	035	180		
H8R603	H8R113	8" MPV 1,125" ADAPTER O-RING IN EPDM FOR 300	035	180		
H8R613	H8R115	8" MPV 1,5" ADAPTER O-RING IN EPDM FOR 300-1200 PSI	035	180		
EA340	EA355	ADAPTER O-RING FOR 1.50" MALE ABS ADAPTER P/N 10183	035	180		

Certificates	Manufacturer	Sectors
		Industrial



8" Membrane Adapters

- Suitable for 8 "diameter membranes - Complete with o-rings.



Ref	Description	Fam.	Subfam.	Disp. Stock
EA023	ADAPTER 1.125" BEKAERT BW	035	180	•

Ref	Material	A	B	C	D	E	For Membrane	For Vessel
EA023	PVC	28,5 (1,125")	50	73	50	64	BMW30-400 or similar	Bekaert Style

Ref O-Ring	Description	Fam.	Subfam.	Disp. Stock
EA354	ADAPTER O-RING FOR 1.125" MALE ADAPTERP/N 10182	010	180	

Blank Adapters

Blank Adapter Kit

- Suitable for 8" membranes; - Material PVC complete with o-rings.



Ref	Description	Ref O-Ring	Fam.	Subfam.	Disp. Stock
EA026	KIT BLANK ADAPTER 1.125"	EA264	035	190	•
EA026A	KIT ADAPTER 1.125" FOR MWG VESSEL	EA264	035	190	•

Ref	A (mm)	A (Inch)	For Membrane	For Vessel
EA026	28,5	1,125"	BW30-400 or similar	MWG
EA026A	28,5	1,125"	BW30-400 or similar	MWG

Ref O-Ring	Description	Fam.	Subfam.	Disp. Stock
EA264	8" O-RING OR.3093/ # 119 - FOR ADAPTER CODELINE 1.125"	035	180	

Blank Adapter

- Material PVC



Ref	Description	Fam.	Subfam.	Disp. Stock
EA028	KIT BLANK ADAPTER 1.125" PVC FEMALE	035	180	•

Ref	A (mm)	A (Inch)	For Membrane
EA028	28,5	1,125"	BW30-400 or similar

Certificates	Manufacturer	Sectors
		Industrial



Closure disc for permeate connection for 8" vessels

- Material PVC.



Ref	Description	Fam.	Subfam.	Disp. Stock	
EA350	PVC BLANK DISK FOR NUT EA347	035	180		

Victaulic Style Couplings

- Complete with gaskets; Max operating pressure 1000 psi (69 bar)



Ref	Description	Fam.	Subfam.	Disp. Stock	
EA030	VICT. TYPE COUPLING CAST-IRON 1000 PSI - 1" (33.4 mm)	035	180	•	
EA032	VICT. TYPE COUPLING CAST-IRON 1000 PSI - 1"1/4 (42,2 mm)	035	180	•	
EA031	VICT. TYPE COUPLING CAST-IRON 1000 PSI - 1"1/2 (48,3 mm)	035	180	•	
EA033	VICT. TYPE COUPLING CAST-IRON 1000 PSI - 2" (60,3 mm)	035	180	•	
EA034	VICT. TYPE COUPLING CAST-IRON 1000 PSI - 2"1/2 (73.0 mm)	035	180	•	
EA035	VICT. TYPE COUPLING CAST-IRON 1000 PSI-3" (88,9 mm)	035	180	•	

Ref	Nominal diameter (Inch)	Nominal diameter (mm)
EA030	1"	33,4
EA032	1 ¼"	42,2
EA031	1 ½"	48,3
EA033	2"	60,3
EA034	2 ½"	73,0
EA035	3"	88,9

Certificates	Manufacturer	Sectors
		Industrial

Aisi 304 Victaulic Style Couplings - 1200 Psi

- Complete with gaskets; Max operating pressure 1200 psi (83 bar).



Ref	Description	Fam.	Subfam.	Disp. Stock	
EA190	COUPLING TYPE VICT. AISI 304 1200 PSI -3/4" (26,7 mm)	035	180	•	
EA191	COUPLING TYPE VICT. AISI 304 1200 PSI -1" (33,7 mm)	035	180	•	
EA192	COUPLING TYPE VICT. AISI 304 1200 PSI -1"1/4 (42,4 mm)	035	180	•	
EA193	COUPLING TYPE VICT. AISI 304 1200 PSI -1"1/2 (48,3 mm)	035	180	•	
EA194	COUPLING TYPE VICT. AISI 304 1200 PSI -2" (60,3 mm)	035	180	•	
EA195	COUPLING TYPE VICT. AISI 304 1200 PSI -2"1/2 (73,0 mm)	035	180	•	
EA196	COUPLING TYPE VICT. AISI 304 1200 PSI -3" (88,9 mm)	035	180	•	

Ref	Nominal diameter (pollici)	Nominal diameter (mm)
EA190	¾"	26,7
EA191	1"	33,4
EA192	1 ¼"	42,2
EA193	1 ½"	48,3
EA194	2"	60,3
EA195	2 ½"	73,0
EA196	3"	88,9

Certificates	Manufacturer	Sectors
		Industrial



Aisi 304 Victaulic Style Couplings - 350 Psi

- Complete with gaskets; Max operating pressure 350 psi (23 bar).



Ref	Description	Fam.	Subfam.	Disp. Stock	
EA070	VICT. TYPE COUPLING AISI 304 350 PSI - 3/4" (26,7 mm)	035	180	•	
EA071	VICT. TYPE COUPLING AISI 304 350 PSI - 1" (33,4 mm)	035	180	•	
EA072	VICT. TYPE COUPLING AISI 304 350 PSI - 1"1/4 (42,2 mm)	035	180	•	
EA073	VICT. TYPE COUPLING AISI 304 350 PSI - 1"1/2 (48,3 mm)	035	180	•	
EA074	VICT. TYPE COUPLING AISI 304 350 PSI - 2" (60,3 mm)	035	180	•	
EA075A	VICT. TYPE COUPLING AISI 304 350 PSI -2"1/2 (73,0 mm)	035	180	•	
EA075	VICT. TYPE COUPLING AISI 304 350 PSI - 3" O.D. (76.1 mm)	035	180	•	
EA076	VICT. TYPE COUPLING AISI 304 350 PSI - 3" (88.9 MM)	035	180	•	

Ref	Nominal diameter (Inch)	Nominal diameter (mm)
EA070	3/4"	26,7
EA071	1"	33,4
EA072	1 1/4"	42,2
EA073	1 1/2"	48,3
EA074	2"	60,3
EA075A	2 1/2"	73,0
EA075	3" O.D.	76,1
EA076	3"	88,9

Certificates	Manufacturer	Sectors
		Industrial

Nylon Victaulic Style Couplings - 300 psi

- Complete with gaskets in EPDM;
- Max operating pressure 300 psi (21 bar).



Ref	Description	Fam.	Subfam.	Disp. Stock	
EA550	VICT. COUPLING NYLON 300 PSI-1" (33,4 mm) - DN25	035	180	•	
EA551	VICT. COUPLING NYLON 300 PSI-1" 1/4 (42,2 mm) - DN32	035	180	•	
EA552	VICT. COUPLING NYLON 300 PSI-1" 2" (48,3 mm) - DN40	035	180	•	
EA553	VICT. COUPLING NYLON 300 PSI-1" 1/2 (60,3 mm) - DN50	035	180	•	
EA554	VICT. COUPLING NYLON 300 PSI-2" 1/2 (73,0 mm) - DN65	035	180	•	
EA555	VICT. COUPLING NYLON 300 PSI-3" (88,9 mm) - DN80	035	180	•	
EA556	VICT. COUPLING NYLON 300 PSI-4" (114,3 mm) - DN100	035	180	•	

Ref	For our stub pipes	Nominal diameter (pollici)	Nominal diameter (mm)
EA550		1"	33,4
EA551	EA601	1 1/4"	42,2
EA552	EA602	1 1/2"	48,3
EA553	EA603	2"	60,3
EA554	EA604	2 1/2"	73,0
EA555	EA605	3"	88,9
EA556	EA606	4"	114,3

Certificates	Manufacturer	Sectors
		Industrial



Nylon Victaulic Style Couplings - 150 psi

- Complete with gaskets in EPDM;
- Max operating pressure 150 psi (21 bar).

Ref	Description	Fam.	Subfam.	Disp. Stock	
EA557	VICT. COUPLING NYLON 150 PSI-6" (168,3 mm) - DN150	035	180		
EA558	VICT. COUPLING NYLON 150 PSI-8" (219,1 mm) - DN200	035	180		

Ref	Nominal diameter (Inch)	Nominal diameter (mm)
EA557	6"	168,3
EA558	8"	219,1

Certificates	Manufacturer	Sectors
		Industrial

Stub Pipes to Weld

- Stub pipe with end part to weld;
- Material AISI 316;
- P max 600 psi (42 bar).



Ref	Description	Fam.	Subfam.	Disp. Stock	
EA080	STUBE PIPE TO WELD CUT GROOVE AISI 316 - 3/4" (26.7 x 40 mm - SCH 40)	035	180	•	
EA081	STUBE PIPE TO WELD CUT GROOVE AISI 316 - 1" (33,7 x 40 mm - SCH 40)	035	180	•	
EA082	STUBE PIPE TO WELD CUT GROOVE AISI 316 - 1"1/4 (42.4 x 50 mm - SCH 40)	035	180	•	
EA083	STUBE PIPE TO WELD CUT GROOVE AISI 316 - 1"1/2 (48.3 x 60 mm - SCH 40)	035	180	•	
EA084	STUBE PIPE TO WELD CUT GROOVE AISI 316 - 2" (60,3 x 80 mm - SCH 40)	035	180	•	
EA085A	STUBE PIPE TO WELD CUT GROOVE AISI 316 - 2"1/2 (73,0 x 90 mm - SCH 40)	035	180	•	
EA086	STUBE PIPE TO WELD CUT GROOVE AISI 316 - 3" (88,9 x 100 mm - SCH 40)	035	180	•	

Ref	ANSIB36.10 Schedules	Nominal diameter (mm)	Lenght (mm)
EA080	40	26,7	60
EA081	40	33,4	60
EA082	40	42,2	60
EA083	40	48,3	60
EA084	40	60,3	80
EA085A	40	73,0	90
EA086	40	88,9	100

Certificates	Manufacturer	Sectors
		Industrial



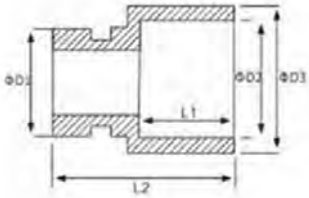
Threaded Stub Pipes

- Stub pipe with end part threaded;
- Material AISI 316;
- P max 600 psi (42 bar).

Ref	Description	Fam.	Subfam.	Disp. Stock	
EA050	THREADED STUBE PIPE CUT GROOVE AISI 316 - 3/4" M (26,7 x 65 mm)	035	180	•	
EA051	THREADED STUBE PIPE CUT GROOVE AISI 316 - 1" M (33,7 x 65 mm)	035	180	•	
EA052	THREADED STUBE PIPE CUT GROOVE AISI 316 - 1"1/4 M (42,4 x 80 mm)	035	180	•	
EA053	THREADED STUBE PIPE CUT GROOVE AISI 316 - 1"1/2 M (48,3 x 100 mm)	035	180	•	
EA054	THREADED STUBE PIPE CUT GROOVE AISI 316 - 2" M (60,3 x 100 mm)	035	180	•	
EA055	THREADED STUBE PIPE CUT GROOVE AISI 316 - 2"1/2 M (76,1 x 100 mm)	035	180	•	

Ref	Description	Lenght (mm)
EA050	THREADED STUBE PIPE CUT GROOVE AISI 316 - 3/4" M (26,7 x 65 mm)	65
EA051	THREADED STUBE PIPE CUT GROOVE AISI 316 - 1" M (33,7 x 65 mm)	65
EA052	THREADED STUBE PIPE CUT GROOVE AISI 316 - 1"1/4 M (42,4 x 80 mm)	80
EA053	THREADED STUBE PIPE CUT GROOVE AISI 316 - 1"1/2 M (48,3 x 100 mm)	100
EA054	THREADED STUBE PIPE CUT GROOVE AISI 316 - 2" M (60,3 x 100 mm)	100
EA055	THREADED STUBE PIPE CUT GROOVE AISI 316 - 2"1/2 M (76,1 x 100 mm)	100

Certificates	Manufacturer	Sectors
		Industrial



Stub Pipes to Glue

- Stub pipes with end part to glue and the other end part for Victaulic Style couplings;
- In PVC-U.
- PN = 4 bar.

Ref	Description	Fam.	Subfam.	Disp. Stock	
EA601	PVC-U STUBE PIPE DN32 D32	035	180	•	
EA602	PVC-U STUBE PIPE DN40 D50	035	180	•	
EA603	PVC-U STUBE PIPE DN50 D63	035	180	•	
EA604	PVC-U STUBE PIPE DN65 D75	035	180	•	
EA605	PVC-U STUBE PIPE DN80 D90	035	180	•	
EA606	PVC-U STUBE PIPE DN100 D110	035	180	•	

Ref	For our victaulic style couplings	D1 (mm)	D2 (mm)	D3 (mm)	L1 (mm)	L2 (mm)
EA601	EA551	42	32	40	22	64
EA602	EA552	48	50	60	31	66
EA603	EA553	60	63	74	38	76
EA604	EA554	73	75	87	43	79
EA605	EA555	89	90	104	51	85
EA606	EA556	114	110	125	61	96

Certificates	Manufacturer	Sectors
		Industrial



R.O. PLUS Electric Control Panel for R.O. Systems



- With double conductivity meter (feed and permeate);
- In this way you can:
- Command the high pressure pump and the two solenoid valves for feed interception and flushing;
- Manage and program the most common measurement and signal instruments installed on the system, with highly flexible ways of working;
- Manage and setting the automatic cleaning system;
- Conform to CE Directives;
- Microprocessor;
- LCD display 2 x 16 digit;
- Power supply 230VAC 50-60Hz;
- Available in ABS box with protection class IP65 (ref. DG101 and ref. DG103) or Rack version (ref. DG101R and ref. DG103R);
- Supplied without conductivity probes.
- **RACK Version: Height 180 (mm), Width 220 (mm), Dept 80 (mm)**

Operated functions:

- High pressure pump (max power 736 W);
- Feed electric valve;
- Fluxing electric valve;
- Cleaning electric valve;
- Pump for antiscaling.

Conductivity meter:

- VERSION 1: RO PLUS LC (ref. DG101 ABS box IP65 and ref. DG101R Rack version).
- With conductivity meter for feed $000 \div 9,99$ mS/cm and conductivity meter for permeate $00,0 \div 99,9$ μ S/cm.
- Warning: with this model you must use one Stainless Steel probe K=1 (ref. DG121) for feed and one Stainless Steel probe for permeate (ref. DG122), to buy separately.
- VERSION 2: RO PLUS HC (ref. DG103 ABS box IP65 and ref. DG103R Rack version)
- With conductivity meter for feed $00,0 \div 9,99$ mS/cm and conductivity meter for permeate $00,0 \div 999$ μ S/cm
- Warning: with this model you must use n.2 graphite probes K=1 (ref. DG123), one for the feed and one for the permeate, to buy separately.
- The version is displayed turning on the instrument.



External input receivable:

- Low permeate storage tank level;
- High permeate storage tank level;
- Minimum pressure meter;
- Maximum pressure meter;
- Pretreatment (filter or softener) in service;
- Heat pump;
- Failed dosage alarm;
- Stand-by.

Alarms:

- High conductivity; - Low pressure; - High pressure; - Heat pump; - HIGH LOW CONTACT.

Ref	Description	Fam.	Subfam.	Disp. Stock	
DG101	R.O. PLUS LC CONTROL PANEL	030	185	•	
DG103	R.O. PLUS HC CONTROL PANEL	030	185	•	
DG101R	R.O. PLUS LC RACK CONTROL PANEL	030	185	•	
DG103R	R.O. PLUS HC RACK CONTROL PANEL	030	185	•	
DG121	CONDUCTIVITY PROBE INOX K=1 CONN.3/4" W/CABLE	030	185	•	
DG122	CONDUCTIVITY PROBE INOX K=0.1 CONN.3/4" W/CABLE	030	185	•	
DG123	CONDUCTIVITY PROBE CARBON K=1 CONN.3/4" W/CABLE	030	185	•	

Certificates	Manufacturer	Sectors
CE	MWG	Commercial, Industrial



In-Out 3/8" Rotary Pumps for R.O.

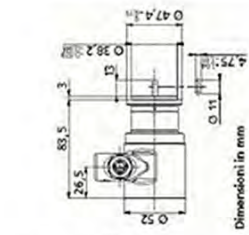
- Rotary vane pumps for R.O. systems, direct connection V-band clamp to motor;
- Housing material brass or AISI 303, security by-pass on show models;
- IN-OUT connections 3/8" F BSPT (or NPT on demand);



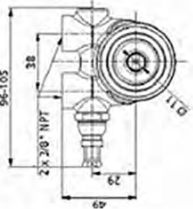
Ref	Description	Fam.	Subfam.	Disp. Stock	
DE804A	ROTARY PUMP RO 50 BRAS W/BY PASS 3/8" GAS	030	170	•	
DE805A	ROTARY PUMP RO 150 BRAS W/BY PASS 3/8" GAS	030	170	•	
DE806A	ROTARY PUMP RO 200 BRAS W/BY PASS 3/8" GAS	030	170	•	
DE807A	ROTARY PUMP RO 300 BRAS W/BY PASS 3/8" GAS	030	170	•	
DE808A	ROTARY PUMP RO 400 BRAS W/BY PASS 3/8" GAS	030	170	•	
DE827A	ROTARY PUMP RO 300 AISI W/BY PASS 3/8" GAS	030	170	•	
DE828A	ROTARY PUMP RO 400 AISI W/BY PASS 3/8" GAS	030	170	•	
DE811A	ROTARY PUMP RO 200 BRAS 3/8" GAS	030	170	•	
DE812A	ROTARY PUMP RO 300 BRAS 3/8" GAS	030	170	•	
DE813A	ROTARY PUMP RO 400 BRAS 3/8" GAS	030	170	•	
DE832A	ROTARY PUMP RO 300 AISI 3/8" GAS	030	170	•	
DE833A	ROTARY PUMP RO 400 AISI 3/8" GAS	030	170	•	
DE804	ROTARY PUMP RO 50 BRAS W/BY PASS 3/8" NPT	030	170		
DE805	ROTARY PUMP RO 150 BRAS W/BY PASS 3/8" NPT	030	170		
DE806	ROTARY PUMP RO 200 BRAS W/BY PASS 3/8" NPT	030	170		
DE807	ROTARY PUMP RO 300 BRAS W/BY PASS 3/8" NPT	030	170		
DE808	ROTARY PUMP RO 400 BRAS W/BY PASS 3/8" NPT	030	170		
DE827	ROTARY PUMP RO 300 AISI W/BY PASS 3/8" NPT	030	170		
DE828	ROTARY PUMP RO 400 AISI W/BY PASS 3/8" NPT	030	170		
DE811	ROTARY PUMP RO 200 BRAS 3/8" NPT	030	170		
DE812	ROTARY PUMP RO 300 BRAS 3/8" NPT	030	170		
DE813	ROTARY PUMP RO 400 BRAS 3/8" NPT	030	170		
DE832	ROTARY PUMP RO 300 AISI 3/8" NPT	030	170		
DE833	ROTARY PUMP RO 400 AISI 3/8" NPT	030	170		



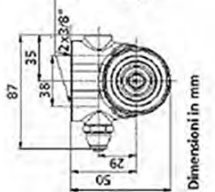
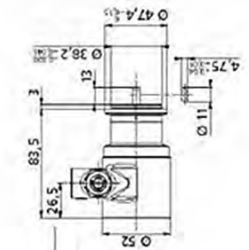
In-Out 3/8" Rotary Pumps for R.O.



Dimensioni in mm



Pompe in ottone



Dimensioni in mm

Pompe in acciaio



Ref	Connections	Material	Flow 7 bar (l/h)	Flow 14 bar (l/h)
DE804A	BSPT	Brass	65	55
DE805A	BSPT	Brass	165	150
DE806A	BSPT	Brass	225	206
DE807A	BSPT	Brass	334	315
DE808A	BSPT	Brass	434	415
DE827A	BSPT	AISI 303	334	315
DE828A	BSPT	AISI 303	434	415
DE811A	BSPT	Brass	225	206
DE812A	BSPT	Brass	334	315
DE813A	BSPT	Brass	434	415
DE832A	BSPT	AISI 303	334	315
DE833A	BSPT	AISI 303	434	415
DE804	NPT	Brass	65	55
DE805	NPT	Brass	165	150
DE806	NPT	Brass	225	206
DE807	NPT	Brass	334	315
DE808	NPT	Brass	434	415
DE827	NPT	AISI 303	334	315
DE828	NPT	AISI 303	434	415
DE811	NPT	Brass	225	206
DE812	NPT	Brass	334	315
DE813	NPT	Brass	434	415
DE832	NPT	AISI 303	334	315
DE833	NPT	AISI 303	434	415

Certificates	Manufacturer	Sectors
DM174-2004 / NSF169 / WRAS	MWG	Domestic, Commercial



In-Out 1/2" Rotary Pumps for R.O.

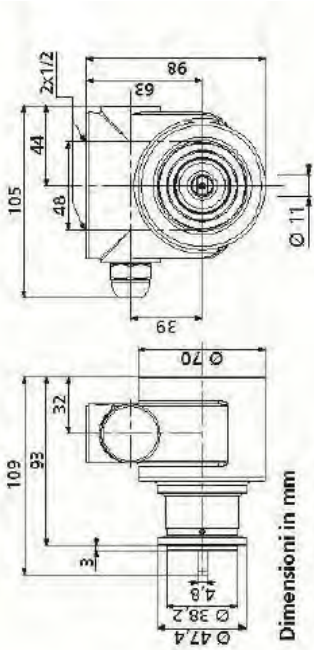
- Rotary vane pumps for R.O. systems, direct connection V-band clamp to motor;
- Housing material brass or AISI 303;
- IN-OUT Gas connections 1/2" F BSPT (or NPT on demand);



Ref	Description	Fam.	Subfam.	Disp. Stock	
DE809A	ROTARY PUMP RO 600 BRAS W/BY PASS 1/2" GAS	030	170	•	
DE810A	ROTARY PUMP RO 800 BRAS W/BY PASS 1/2" GAS	030	170	•	
DE814A	ROTARY PUMP RO 1000 BRAS W/BY PASS 1/2" GAS	030	170	•	
DE817A	ROTARY PUMP RO 600 BRAS 1/2" GAS	030	170	•	
DE818A	ROTARY PUMP RO 800 BRAS 1/2" GAS	030	170	•	
DE819A	ROTARY PUMP RO 1000 BRAS 1/2" GAS	030	170	•	
DE801A	ROTARY PUMP RO 600 MAXI AISI W/BY PASS 1/2" GAS	030	170	•	
DE802A	ROTARY PUMP RO 800 MAXI AISI W/BY PASS 1/2" GAS	030	170	•	
DE803A	ROTARY PUMP RO 1000 MAXI AISI W/BY PASS 1/2" GAS	030	170	•	
DE837A	ROTARY PUMP RO 600 MAXI AISI 1/2" GAS	030	170	•	
DE838A	ROTARY PUMP RO 800 MAXI AISI 1/2" GAS	030	170	•	
DE839A	ROTARY PUMP RO 1000 MAXI AISI 1/2" GAS	030	170	•	
DE809	ROTARY PUMP RO 600 BRAS W/BY PASS 1/2" NPT	030	170		
DE810	ROTARY PUMP RO 800 BRAS W/BY PASS 1/2" NPT	030	170		
DE814	ROTARY PUMP RO 1000 BRAS W/BY PASS 1/2" NPT	030	170		
DE817	ROTARY PUMP RO 600 BRAS 1/2" NPT	030	170		
DE818	ROTARY PUMP RO 800 BRAS 1/2" NPT	030	170		
DE819	ROTARY PUMP RO 1000 BRAS 1/2" NPT	030	170		
DE801	ROTARY PUMP RO 600 MAXI AISI W/BY PASS 1/2" NPT	030	170		
DE802	ROTARY PUMP RO 800 MAXI AISI W/BY PASS 1/2" NPT	030	170		
DE803	ROTARY PUMP RO 1000 MAXI AISI W/BY PASS 1/2" NPT	030	170		
DE837	ROTARY PUMP RO 600 MAXI AISI 1/2" NPT	030	170		
DE838	ROTARY PUMP RO 800 MAXI AISI 1/2" NPT	030	170		
DE839	ROTARY PUMP RO 1000 MAXI AISI 1/2" NPT	030	170		



In-Out 1/2" Rotary Pumps for R.O.



Ref	Connections	Material	Flow 7 bar (l/h)	Flow 14 bar (l/h)
DE809A	BSPT	Brass	620	797
DE810A	BSPT	Brass	820	797
DE814A	BSPT	Brass	1020	997
DE817A	BSPT	Brass	620	597
DE818A	BSPT	Brass	820	797
DE819A	BSPT	Brass	1020	997
DE801A	BSPT	AISI 303	620	597
DE802A	BSPT	AISI 303	820	797
DE803A	BSPT	AISI 303	1020	997
DE837A	BSPT	AISI 303	620	597
DE838A	BSPT	AISI 303	820	797
DE839A	BSPT	AISI 303	1020	997
DE809	NPT	Brass	620	597
DE810	NPT	Brass	820	797
DE814	NPT	Brass	1020	997
DE817	NPT	Brass	620	597
DE818	NPT	Brass	820	797
DE819	NPT	Brass	1020	997
DE801	NPT	AISI 303	620	597
DE802	NPT	AISI 303	820	797
DE803	NPT	AISI 303	1020	997
DE837	NPT	AISI 303	620	597
DE838	NPT	AISI 303	820	797
DE839	NPT	AISI 303	1020	997

Certificates	Manufacturer	Sectors
DM174-2004 / NSF169 / WRAS	MWG	Domestic, Commercial, Industrial



Motors Direct Connection for Rotary Pumps

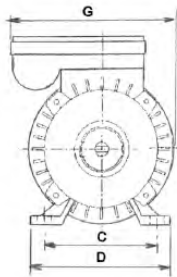
- Single phase motors direct connection for rotary vane pumps;
- Complete with thermic protection (our ref. DE845 has an automatic reset thermal protection when the temperature decreases);
- Power supply 220V - 50 Hz.



Ref	Description	Fam.	Subfam.	Disp. Stock	
DE850	MOTOR 300W-230V-50Hz SINGLE PHASE DIRECT CONNECTIONS	030	170	•	
DE845	MOTOR 550W-230V-50Hz 4 POLES SINGLE PHASE DIRECT CONNECTIONS	030	170	•	

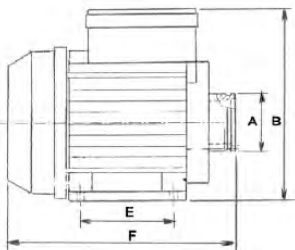
Ref	A (mm)	B (mm)	C (mm)	D (mm)	E (mm)	F (mm)	G (mm)
DE850	47	156	97	120	80	200	138
DE845	44	205	*	172	*	241	*

* Not applicable: for further details, please consult our Technical Department.



Ref	Description	Fam.	Subfam.	Disp. Stock	
DE850	MOTOR 300W-230V-50Hz SINGLE PHASE DIRECT CONNECTIONS	030	170	•	
DE845	MOTOR 550W-230V-50Hz 4 POLES SINGLE PHASE DIRECT CONNECTIONS	030	170	•	

Ref	Electrical Input (a)	RPM	IP Protection	For Pumps
DE850	1,6	1.300	IP 44	RO 200 RO 300
DE845	4,2	1.360	IP 55	RO 600 RO 800



Certificates	Manufacturer	Sectors
CE		Domestic, Commercial, Industrial



Motors for Rotary Pumps for R.O. 300-400-600-800-1000

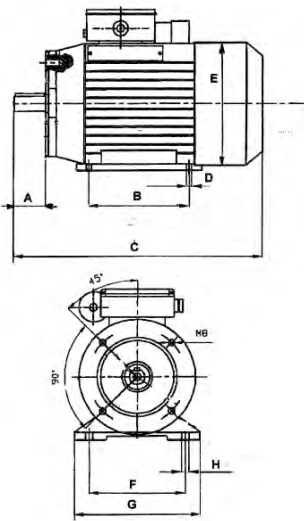
- Range of single and three phase motor for application with rotary vane pumps, using coupling and adapter;
- 4 poles motor, power supply 220V - 50 Hz single phase, 380V - 50 Hz three phase;
- Protection class IP55;



Ref	Description	Fam.	Subfam.	Disp. Stock	
DE860	MOTOR 1/2 CV-M71-4POLI 220V/50HZ SINGLE PHASE B3/B14	030	170	•	
DE861	MOTOR 3/4 CV-M80-4POLI 220V/50HZ SINGLE PHASE B3/B14	030	170	•	
DE862	MOTOR 1 CV-M80-4POLI 220V/50HZ SINGLE PHASE B3/B14	030	170	•	
DE863	MOTOR 1/2 CV-M71 4 POLI 220/380V-50HZ TRIPHASE B3/B14	030	170	•	
DE864	MOTOR 3/4 CV-M80 4 POLI 220/380V-50HZ TRIPHASE B3/B14	030	170	•	
DE865	MOTOR 1 CV-M80 4 POLI 220/380V-50HZ TRIPHASE B3/B14	030	170	•	

Model	A (mm)	B (mm)	C (mm)	D (mm)	E (mm)	F (mm)	G (mm)	H (mm)
0,5 CV	30	90	222	7	141	112	142	10
0,75 CV	40	100	255	10	157	125	160	13
1 CV	40	100	255	10	157	125	160	13

Ref	Power (cv)	Power (w)	Electrical Input (a)	RPM	For pump
DE860	0,5	370	3,1	1360	RO 300 RO 400
DE861	0,75	550	3,9	1360	RO 600 RO 800
DE862	1	750	5,6	1370	RO 1000
DE863	0,5	370	2,2	1360	RO 300 RO 400
DE864	0,75	550	2,8	1360	RO 600 RO 800
DE865	1	750	3,5	1360	RO 1000



Power Ref	Coupling Ref	Adapter Ref
DE860	DE872	DE871
DE861	DE874	DE873
DE862	DE874	DE873
DE863	DE872	DE871
DE864	DE874	DE873
DE865	DE874	DE873

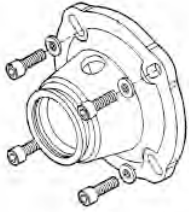
Certificates	Manufacturer	Sectors
CE		Domestic, Commercial, Industrial



Adapter Couplings and Adapters for Rotary Pumps Models R.O. 300-400-600-800-1000



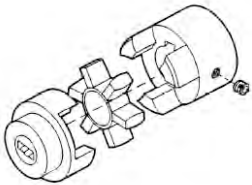
Ref	Description	Fam.	Subfam.	Disp. Stock	
DE871	ADAPTER GR.71 -B3/B14	030	170	•	



Ref	Description	Fam.	Subfam.	Disp. Stock	
DE873	ADAPTER GR.80-B3/B14	030	170	•	



Ref	Description	Fam.	Subfam.	Disp. Stock	
DE872	COUPLING GR.71	030	170	•	



Ref	Description	Fam.	Subfam.	Disp. Stock	
DE874	COUPLING GR.80	030	170	•	



Flowmeters

- Flowmeters (the reading is taken in correspondence with the top edge of the float) with wide range of measuring scale and of end connections (d20 ÷ d75), good level of accuracy with simple operation and very limited maintenance;
- Standard fluid = water; - Measuring tube in transparent PVC-U, Float in PP and O-ring in EPDM;
- Isolating or control valves may be mounted both upstream or downstream the flowmeter;
- Maximum working pressure with water up to 25°C = 10 bar; - 60°C = 1,5 bar - Temperature range = 5 ÷ 60°C.

FVCI

FSIV

D	B	C	E	D	B	C	E
20	208	176	170	40	408	356	350
25	229	191	185	63	432	356	350
32	250	206	200	75	444	356	350

Ref	Description	Connect.	Fam.	Subfam.	Disp. Stock	
DG030	FLOWMETER FCIV D20 PVC EPDM 20-200 L/H PVC CLEAR PP FLOAT	d20	030	185	•	
DG032	FLOWMETER FCIV D25 PVC EPDM 30-350 L/H PVC CLEAR PP FLOAT	d25	030	185	•	
DG034	FLOWMETER FCIV D32 PVC EPDM 60-600 L/H PVC CLEAR PP FLOAT	d32	030	185	•	
DG036	FLOWMETER FCIV D32 PVC EPDM 100-1000 L/H PVC CLEAR PP FLOAT	d32	030	185	•	
DG038	FLOWMETER FSIV D40 PVC EPDM 160-1600 L/H PVC CLEAR PP FLOAT	d40	030	185	•	
DG040	FLOWMETER FSIV D40 PVC EPDM 200-2500 L/H PVC CLEAR PP FLOAT	d40	030	185	•	
DG042	FLOWMETER FSIV D63 PVC EPDM 350-3500 L/H PVC CLEAR PP FLOAT	d63	030	185	•	
DG044	FLOWMETER FSIV D63 PVC EPDM 500-5000 L/H PVC CLEAR PP FLOAT	d63	030	185	•	
DG046	FLOWMETER FSIV D75 PVC EPDM 1000-8000 L/H PVC CLEAR PP FLOAT	d75	030	185	•	
DG048	FLOWMETER FSIV D75 PVC EPDM 1000-10000 L/H PVC CLEAR PP FLOAT	d75	030	185	•	
DG050	FLOWMETER FSIV D75 PVC EPDM 5000-25000 L/H PVC CLEAR PP FLOAT	d75	030	185	•	

Certificates	Manufacturer	Sectors
		Commercial, Industrial



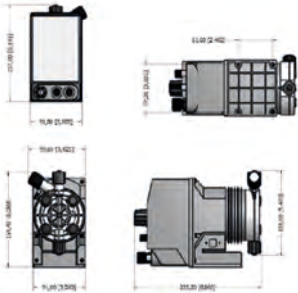
ACCESSORIES: Threaded connections not included, to order separately; - Material not available in stock.

Ref	Description	Fam.	Subfam.	Disp. Stock	Price
DG061	BFV THREADED CONNECTION BSP 1/2" PVCU	030	185	•	
DG063	BFV THREADED CONNECTION BSP 3/4" PVCU	030	185	•	
DG065	BFV THREADED CONNECTION BSP 1" PVCU	030	185	•	
DG067	BFV THREADED CONNECTION BSP 1 1/4" PVCU	030	185	•	
DG069	BFV THREADED CONNECTION BSP 2 " PVCU	030	185	•	
DG071	BFV THREADED CONNECTION BSP 2 1/2 " PVCU	030	185	•	

Ref	For Flowmeter
DG061	DG030
DG063	DG032
DG065	DG034 - DG036
DG067	DG038 - DG040
DG069	DG042 - DG044
DG071	DG046 - DG048 - DG050



PL Series Metering Pumps Horizontal Mounting



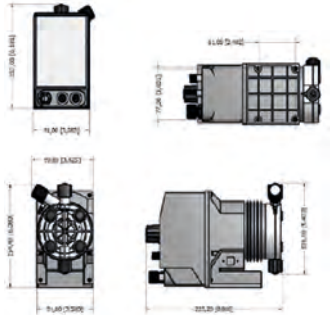
- PL series metering pumps horizontal mounting;
- Constant or proportional feeding, with pulse multiplier or pulse divider, dosage based on a mA signal or a digital signal (from 1 pulse/minute at 180 pulses/minute);
- Microprocessor technology;
- Manual stroke length adjustment;
- Body pump's in PVDF (and o-rings in VITON) or PP (and o-rings in EPDM), with manual venting;
- Black enclosure in PP material;
- Protection class IP65;
- Audible noise 73,4 dB(A);
- Environment temperature 10 ÷ 45°C;
- Chemical temperature 0 ÷ 50°C;
- Power supply 230Vac 50/60hz with European transformer;
- Each pump is shipped with a Kit Assembly, delayed fuse, level probe with axial foot filter (PVDF), 5 bar injection valve (PVDF), PVDF delivery hose (length 2 m), PVC suction hose (length 2 m), discharge hose (length 2 m), input signal cable (length 2,5 m);
- Available also the self-venting version (see the following table).

Ref	Description	Fam.	Subfam.	Disp. Stock	
DG299	METERING PUMP HORIZ. PL 1 L/H @18 BAR PVDF OR VITON SELF VENTING	030	170	•	
DG300	METERING PUMP HORIZONTAL PL 2 L/H @ 18 BAR PVDF W/OR VITON	030	170	•	
DG300A	METERING PUMP HORIZONTAL PL 2 L/H @ 18 BAR PP W/OR EPDM	030	170		
DG303	METERING PUMP HORIZ. PL 5,5 L/H @8 BAR PVDF OR VITON SELF VENTING	030	170	•	
DG304	METERING PUMP HORIZONTAL PL 8 L/H @ 8 BAR PVDF W/OR VITON	030	170	•	
DG304A	METERING PUMP HORIZONTAL PL 8 L/H @ 8 BAR PP W/OR EPDM	030	170		

Certificates	Manufacturer	Sectors
NSF50 NSF61 DM174-2004 CE	MWG	Commercial, Industrial



MF Series Metering Pumps Horizontal Mounting



- MF series metering digital pumps horizontal mounting;
- Microprocessor technology (Constant, Divide, Multiply, PPM, Batch, Volt, mA, %, MLQ), stand-by and flow sensor input, alarm output and level control. Recovery fault mode, work-pause mode and upkeep mode (from 1 pulse/minute at 180 pulses/minute);
- Body pump's in PVDF (and o-rings in VITON) or PP (and o-rings in EPDM), with manual venting;
- Black enclosure in PP material, protection class IP65;
- Audible noise 73,4 dB(A);
- Environment temperature 10 ÷ 45°C, chemical temperature 0 ÷ 50°C;
- Power supply 230Vac 50/60hz with European transformer;
- Each pump is shipped with a Kit Assembly, delayed fuse, level probe with axial foot filter (PVDF), 5 bar injection valve (PVDF), PVDF delivery hose (length 2 m), PVC suction hose (length 2 m), discharge hose (length 2 m), input signal cable (length 2,5 m);
- Available also the self-venting version (see the following table).

Ref	Description	Fam.	Subfam.	Disp. Stock	
DG309	METERING PUMP HORIZ. MF 1 L/H @18 BAR PVDF OR VITON SELF VENTING	030	170	•	
DG310	METERING PUMP HORIZONTAL MF 2 L/H @ 18 BAR PVDF W/OR VITON	030	170	•	
DG310A	METERING PUMP HORIZONTAL MF 2 L/H @ 18 BAR PP W/OR EPDM	030	170		
DG313	METERING PUMP HORIZ. MF 5,5 L/H @8 BAR PVDF OR VITON SELF VENTING	030	170	•	
DG314	METERING PUMP HORIZONTAL MF 8 L/H @ 8 BAR PVDF W/OR VITON	030	170	•	
DG314A	METERING PUMP HORIZONTAL MF 8 L/H @ 8 BAR PP W/OR EPDM	030	170		

Certificates	Manufacturer	Sectors
NSF50 NSF61 DM174-2004 CE	MWG	Commercial, Industrial



MF Series Metering Pumps Vertical Mounting



- MF series metering digital pumps vertical mounting;
- Microprocessor technology (Constant, Divide, Multiply, PPM, Batch, Volt, mA, %, ml/q), with level control. Recovery fault mode, work-pause mode and upkeep mode (from 1 pulse/hour at 180 pulses/minute);
- Body pump's in PVDF (and o-rings in VITON) or PP (and o-rings in EPDM), with manual venting;
- Black enclosure in PP material;
- Protection class IP65;
- Audible noise 70.4 dB(A);
- Environment temperature 10 ÷ 45°C;
- Chemical temperature 0 ÷ 50°C;
- Power supply 230Vac 50/60hz with European transformer;
- Each pump is shipped with a Kit Assembly, delayed fuse, level probe with axial foot filter (PVDF), 5 bar injection valve (PVDF), PVDF delivery hose (length 2 m), PVC suction hose (length 2 m), discharge hose (length 2 m), input signal cable (length 2,5 m);
- Available also the self-venting version (see the following table).

Ref	Description	Fam.	Subfam.	Disp. Stock	
DG319	METERING PUMP VERTICAL. MF 1 L/H @15 BAR PVDF OR VITON SELF VENTING	030	170	•	
DG320	METERING PUMP VERTICAL MF 2 L/H @ 15 BAR PVDF W/OR VITON	030	170	•	
DG320A	METERING PUMP VERTICAL MF 2 L/H @ 15 BAR PP W/OR EPDM	030	170		
DG323	METERING PUMP VERTICAL. MF 4 L/H @7 BAR PVDF OR VITON SELF VENTING	030	170	•	
DG324	METERING PUMP VERTICAL MF 6 L/H @ 7 BAR IN PVDF W/OR VITON	030	170	•	
DG324A	METERING PUMP VERTICAL MF 6 L/H @ 7 BAR IN PP W/OR EPDM	030	170		

Certificates	Manufacturer	Sectors
NSF50 NSF61 DM174-2004 CE	MWG	Commercial, Industrial



CL Series Metering Pumps Vertical Mounting



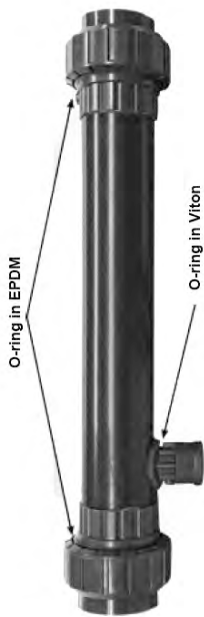
- CL series metering pumps vertical mounting;
- Microprocessor technology; constant pump with level control, flow rate control and 0-10% divider (from 1 pulse/minute at 180 pulses/minute);
- Body pump's in PVDF (and o-rings in VITON) or PP (and o-rings in EPDM), with manual venting;
- Black enclosure in PP material;
- Protection class IP65;
- Audible noise 74 dB(A);
- Environment temperature 10 ÷ 45°C;
- Chemical temperature 0 ÷ 50°C;
- Power supply 230Vac 50/60hz with European transformer;
- Each pump is shipped with a Kit Assembly, delayed fuse, level probe with axial foot filter (PVDF), 5 bar injection valve (PVDF), PVDF delivery hose (length 2 m), PVC suction hose (length 2 m), discharge hose (length 2 m), input signal cable (length 2,5 m);
- Available also the self-venting version (see the following table).

Ref	Description	Fam.	Subfam.	Disp. Stock	
DG329	METERING PUMP VERTIC. CL 1 L/H @15 BAR PVDF OR VITON SELF VENTING	030	170	•	
DG330	METERING PUMP VERTICAL CL 2 L/H @ 15 BAR PVDF W/OR VITON	030	170	•	
DG330A	METERING PUMP VERTICAL CL 2 L/H @ 15 BAR PP W/OR EPDM	030	170		
DG333	METERING PUMP VERTIC. CL 4 L/H @7 BAR PVDF OR VITON SELF VENTING	030	170	•	
DG334	METERING PUMP VERTICAL CL 6 L/H @ 7 BAR PVDF W/OR VITON	030	170	•	
DG334A	METERING PUMP VERTICAL CL 6 L/H @ 7 BAR PP W/OR EPDM	030	170		

Certificates	Manufacturer	Sectors
NSF50 NSF61 DM174-2004 CE	MWG	Commercial, Industrial



Metering Pumps Accessories



Ref	Description	Fam.	Subfam.	Disp. Stock	
DG452	PVDF TUBE 6X4 ROLL L=5 M	030	170	•	
DG453	PVC TUBE 6X4 ROLL L=100 M	030	170	•	
DG454	PE TUBE 6X4 ROLL L=100 M	030	170	•	
DG460	MAINTENANCE KIT ASSEMBLY METERING PUMP HORIZONTAL PVDF W/OR VITON	030	170	•	
DG460A	MAINTENANCE KIT ASSY METERING PUMP HORIZ. PVDF W/OR VITON SELF-VENTING	030	170	•	
DG461	MAINTENANCE KIT ASSEMBLY METERING PUMP HORIZONTAL PVDF W/OR EPDM	030	170		
DG461A	MAINTENANCE KIT ASSY METERING PUMP HORIZ. PVDF W/OR EPDM SELF-VENTING	030	170		
DG462	MAINTENANCE KIT ASSEMBLY METERING PUMP VERTICAL PVDF W/OR VITON	030	170	•	
DG462A	MAINTENANCE KIT ASSY METERING PUMP VERT. PVDF W/OR VITON SELF-VENTING	030	170	•	
DG463	MAINTENANCE KIT ASSEMBLY METERING PUMP VERTICAL PVDF W/OR EPDM	030	170		
DG463A	MAINTENANCE KIT ASSY METERING PUMP VERT. PVDF W/OR EPDM SELF-VENTING	030	170		

Metering Pumps Accessories

STATIC MIXERS

- PVC-U static mixer filled with PP mixing elements;
- With injection valve 1/2" - 4x6 0,3 bar.

Ref	Description	Fam.	Subfam.	Disp. Stock	
DG470	STATIC MIXER 1 1/4"	030	170	•	
DG472	STATIC MIXER 1 1/2"	030	170	•	
DG473	STATIC MIXER 2"	030	170	•	

Ref	Inspectionable	Fitting
DG470	Yes	1 1/4 "
DG472	Yes	1 1/2"
DG473	Yes	2"

Accessories

Ref	Description	Fam.	Subfam.	Disp. Stock	
DG450	MOUNTING BRACKET FOR VERTICAL PUMP	030	170	•	



Metering Pumps Accessories

Turbine pulse emitter water meter



- Threaded pulse emitter water meter for cold and hot water, single (mod. 15 - 20 - 25 - 30 40) and multiple (mod. 50) jet counter with wet or dry dial;
- Thread sizes range: from ½" to 2";
- Brass case and head (except for 50 mm 2" model with cast iron case and head);
- Range temperature = 4 ÷ 30°C;
- Max operating pressure = 16 bar;
- Constant K = 4 pulses/liter;
- 2m cable length (RG58), equipped with BNC connector;
- Reed contact with 109 closing operations;
- Max voltage 250 VAC, 200 VDC;
- Max current 1 A;
- Max power 10 VA.

Ref	Description	Gauge (Inch)	Fam.	Subfam.	Disp. Stock	
DG480	TURBINE PULSE EMITTER WATER METER W/WET DIAL 15 MM	½	030	170	•	
DG481	TURBINE PULSE EMITTER WATER METER W/WET DIAL 20 MM	¾	030	170	•	
DG482	TURBINE PULSE EMITTER WATER METER W/WET DIAL 25 MM	1	030	170	•	
DG483	TURBINE PULSE EMITTER WATER METER W/WET DIAL 30 MM	1¼	030	170	•	
DG484	TURBINE PULSE EMITTER WATER METER W/WET DIAL 40 MM	1½	030	170	•	
DG485	TURBINE PULSE EMITTER WATER METER W/WET DIAL 50 MM	2	030	170	•	
DG490	TURBINE PULSE EMITTER WATER METER W/DRY DIAL 15 MM	½	030	170		
DG491	TURBINE PULSE EMITTER WATER METER W/DRY DIAL 20 MM	¾	030	170		
DG492	TURBINE PULSE EMITTER WATER METER W/DRY DIAL 25 MM	1	030	170		
DG493	TURBINE PULSE EMITTER WATER METER W/DRY DIAL 30 MM	1¼	030	170		
DG494	TURBINE PULSE EMITTER WATER METER W/DRY DIAL 40 MM	1½	030	170		
DG495	TURBINE PULSE EMITTER WATER METER W/DRY DIAL 50 MM	2	030	170		

Accessories

- KDPV Kit, Signal Splitter.



Ref	Description	Fam.	Subfam.	Disp. Stock	
DG467	KDPV KIT	030	170	•	

TURBINE PULSE EMITTER WATER METER



Dosing Systems



- Suitable to be assembled with dosing pumps on catalogue;
- Each dosing system consisting in:
 - nr.1 tank in polyethylene (HDPE) for chemical mixing;
 - nr.1 suction lances with o-ring in VITON (optional in EPDM);
 - nr.1 manual stirrer;
- All dosing station components assembled on are enclosed into tank diameter;
- Stirrers screwed on thread metal insert are tilted for better central mixing;
- Stainless Steel (AISI 316) fixing screws with rubber cap;
- With level indicator;
- Tanks can be assembled with:
 - -n r.1 metering pump (not included in the dosing system);
 - -nr.1 manual stirrer;
 - -nr.1 feed water valve;
 - -nr.1 outgassing pump hose;
 - -nr.1 outgassing valve (on the higher top side);
 - -nr.1 bleed water valve (on the lower side);
 - -nr.1 suction lance;
- Range temperature = 4 ÷ 40°C;
- On demand are available safety bunds.

Ref	Description	Fam.	Subfam.	Disp. Stock	
DG400	DOSING SYSTEM ASSEMBLY 50 LITERS W/OR VITON	030	170	•	
DG400A	DOSING SYSTEM ASSEMBLY 50 LITERS W/OR EPDM	030	170		
DG402	DOSING SYSTEM ASSEMBLY 120 LITERS W/OR VITON	030	170	•	
DG402A	DOSING SYSTEM ASSEMBLY 120 LITERS W/OR EPDM	030	170		
DG404	DOSING SYSTEM ASSEMBLY 250 LITERS W/OR VITON	030	170	•	
DG404A	DOSING SYSTEM ASSEMBLY 250 LITERS W/OR EPDM	030	170		

Ref	A (mm)	A1-Feed water valve height (mm)	C (mm)	C1 (mm)	D (mm)	Feed water (mm)
DG400	505	425	420	420	420	95
DG400A	505	425	420	420	420	95
DG402	735	650	475	485	495	650
DG402A	735	650	475	485	495	650
DG404	850	780	610	610	610	120
DG404A	850	780	610	610	610	120

Certificates	Manufacturer	Sectors
	MWG	Commercial, Industrial



Dosing Systems Spare Parts

Suction lances for dosing system



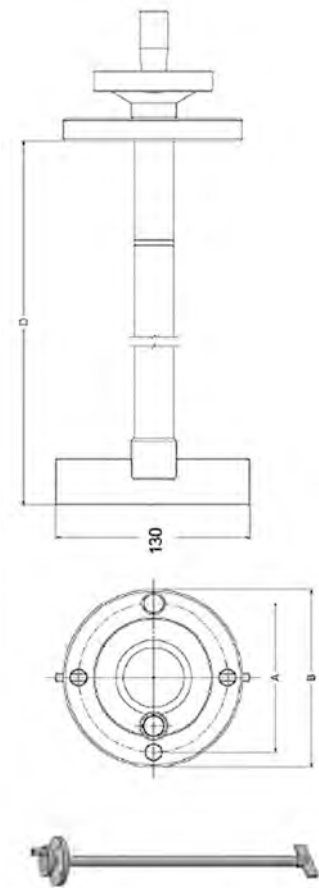
- For pumps up to 10 l/h;
- Level switch;
- Foot valve and foot filter;
- Adjustable height;
- 1 1/2" pipe fitting;
- Lateral output (1/2" fitting);
- PVC body.

Ref	Description	Fam.	Subfam.	Disp. Stock	
DG430	SUCTION LANCE L=63 CM W/OR VITON	030	170	•	
DG430A	SUCTION LANCE L=63 CM W/OR EPDM	030	170		
DG434	SUCTION LANCE L=108 CM W/OR VITON	030	170	•	
DG434A	SUCTION LANCE L=108 CM W/OR EPDM	030	170		

Ref	Dosing system	A (mm)	B (mm)
DG430	DG400 - DG402	630	740
DG430A	DG400A - DG402A	630	740
DG434	DG404	1080	1190
DG434A	DG404A	1080	1190

Manual stirrer for dosing system

- PVC-U shaft;
- 2-blade impeller;
- Impeller diameter = 130 mm
- Holes diameter = 8,5 mm.



Ref	Description	Fam.	Subfam.	Disp. Stock	
DG440	MANUAL MIXER H=45 CM	030	170	•	
DG442	MANUAL MIXER H=65 CM	030	170	•	
DG444	MANUAL MIXER H=77 CM	030	170	•	

Ref	Dosing system	A (mm)	ø B (mm)	D (mm)	Holes number and position
DG440	DG400 DG400A	100	120	450	4 at 90°
DG442	DG402 DG402A	125	145	650	3 at 120°
DG444	DG404 DG404A	125	145	770	3 at 120°



Dosing Systems Accessories



Safety bunds

- Material in polyethylene (HDPE), with reinforced collar for increasing security;
- Range temperature = 4 ÷ 40°C.

Ref	Description	Fam.	Subfam.	Disp. Stock	
DG410	SAFETY BUND FOR DOSING SYSTEM 50 LITERS	030	170		
DG412	SAFETY BUND FOR DOSING SYSTEM 120 LITERS	030	170		
DG414	SAFETY BUND FOR DOSING SYSTEM 250 LITERS	030	170		

Ref	Volume (liters)	B (mm)	D (mm)	H (mm)
DG410	60	430	510	425
DG412	120	520	545	615
DG414	300	660	695	875

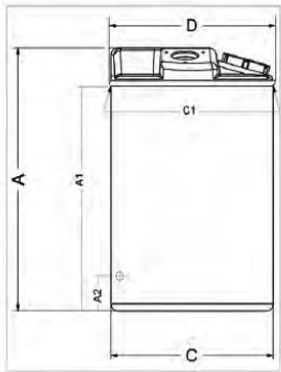
Dosing Systems Spare Parts

Tank for chemical



- Material in polyethylene (HDPE), suitable for chemical mixing;
- Tanks can be assembled with:
 - -nr.1 metering pump (not included in the dosing system);
 - -nr.1 manual stirrer;
 - -nr.1 feed water valve;
 - -nr.1 outgassing pump hose;
 - -nr.1 outgassing valve (on the higher top side);
 - -nr.1 bleed water valve (on the lower side);
 - -nr.1 suction lance;
- Range temperature = 4 ÷ 40°C.

Ref	Description	Fam.	Subfam.	Disp. Stock	
DG420	SPARE CONTAINER 50 LITERS	030	170	•	
DG422	SPARE CONTAINER 120 LITERS	030	170	•	
DG424	SPARE CONTAINER 250 LITERS	030	170	•	



Ref	Volume (litres)	A (mm)	A1 Feed water valve height (mm)	C (mm)	C1 (mm)	D (mm)
DG420	95	505	425	420	420	420
DG422	650	735	650	475	485	495
DG424	120	850	780	610	610	610

A large, dynamic splash of water in shades of light blue and white, filling the background of the page. The splash is centered and spreads outwards, creating a sense of movement and freshness.

EUROTROL®

WATER TREATMENT COMPONENTS

UV

MWG
UV sterilizers
and spare parts

INDEX

Residential U.V. Sterilizers Inox



- Monolamp U.V. sterilizer of close construction in AISI 304 polished material for point-of-use treatment devices;
- Complete with n.2 diameter 2" fixing clips and with n.2 JACO ¼" elbows;
- Power box with electronic circuit, cable and plug;
- Failure led and alarm system;
- Lamp quartz sheath;
- Max operating pressure 7 bar;
- Temperature 2 ÷ 40°C;
- Power supply 230 V - 50 Hz;
- Irradiation > 30 mJ/cm2;
- Lamp life 8.000 hours;
- Protection class IP42.

Ref	Description	Fam.	Subfam.	Disp. Stock
HA300	UV STERILIZER HR-60 220V-50HZ 1/4" BSP M	055	250	•
HA302	UV SERILIZER PC-1 10WATT 220V-50HZ -1/4" BSP M	055	250	•

Ref	Max flow (l/h)	Power (w)	Connections	Diameter (mm)	Length (mm)
HA300	240	10	¼" BSP M	50,8	260
HA302	240	10	¼" BSP M	50,8	268

Box: WxLxH	Box: Q.ty	Box: Weight	Pallet: WxLxH	Pallet: Q.ty	Pallet: Weight

Certificates	Manufacturer	Sectors
DM174-2004, ACS, CE	MWG	Domestic

Residential U.V. Sterilizers W Series



- To be used for residential water disinfection systems;
- Monolamp U.V. sterilizer of close construction in AISI 304 polished material;
- Power box with electronic circuit, cable and plug;
- Failure led and alarm system;
- Lamp quartz sheath;
- Max operating pressure 7 bar;
- Temperature 2 ÷ 40°C;
- Power supply 230 V - 50 Hz;
- Irradiation > 30 mJ/cm2;
- Lamp life 10.000 hours;
- Protection class IP42.

Ref	Description	Fam.	Subfam.	Disp. Stock
HA310	UV STERILIZER W-180 220V-50HZ 15W - 1/2" BSP M	055	250	•
HA315	UV STERILAZER W-360 220V-50HZ 21W-1/2" BSP M	055	250	•
HA320	UV STERILIZER W-80 220V-50HZ 29W-1/2" BSP M	055	250	•
HA325	UV STERILIZER W-720 220V-50HZ 40W - 3/4" BSP M	055	250	•

Ref	Max flow (l/h)	N. Lamps	Power (w)	Diameter (mm)	Lenght (mm)
HA310	680	1	15	63,5	364
HA315	1360	1	21	63,5	544
HA320	1810	1	29	63,5	694
HA325	2720	1	40	63,5	924

Certificates	Manufacturer	Sectors
DM174-2004, ACS, CE	MWG	Domestic

Industrial U.V. Sterilizers FC Series



- To be used for commercial and industrial water disinfection systems;
- Monolamp U.V. sterilizer with polished AISI 304 sterilizing chamber (option in AISI 316L not available in stock) with inspection window and drain connection;
- Electric box with electronic circuit, connection cable, operating time meter and switch;
- Operating and failure led, with alarm system (excepted models FC-35 and FC-45);
- Lamp quartz sheath;
- Max operating pressure 7 bar, temperature $2 \pm 40^{\circ}\text{C}$;
- Power supply 230 V - 50 Hz, irradiation $> 40 \text{ mJ/cm}^2$, lamp life 10.000 hours;
- Protection class IP43;
- Possibility of connection with shut down solenoid valve (only for models FC-35 and FC-45).

Ref	Description	Fam.	Subfam.	Disp. Stock	
HA350	UV STERILIZER FC-8 220V-50HZ 29W - 3/4" BSP M	055	251	•	
HA350A	UV STERILIZER FC-8 220V-50HZ 29W-3/4" BSP M 316L	055	251		
HA355	UV STERILIZER FC-12 220V-50HZ 40W - 1" BSP M	055	251	•	
HA355A	UV STERILIZER FC-12 220V-50HZ 40W - 1" BSP M 316L	055	251		
HA360	UV STERILIZER FC-15 220V-50HZ 65W - 1" BSP M	055	251	•	
HA360A	UV STERILIZER FC-15 220V-50HZ 65W - 1" BSP M 316L	055	251		
HA365	UV STERILIZER FC-20 220V-50HZ 65W-1.1/2" BSP M	055	251	•	
HA365A	UV STERILIZER FC-20 220V-50HZ 65W-1.1/2" BSP M 316L	055	251		
HA370	UV STERILIZER FC-24 220V-50HZ 80W - 1 1/2" BSPM	055	251	•	
HA370A	UV STERILIZER FC-24 220V-50HZ 80W - 1 1/2" BSPM 316L	055	251		
HA375	UV SERILIZER FC-35 220V-50HZ 100W-2" BSP M	055	251	•	
HA375A	UV STERILIZER FC-35 220V-50HZ 100W - 2"BSP M 316L	055	251		
HA380	UV STERILIZER FC-45 220V-50HZ 120W - 2" BSP M	055	251	•	
HA380A	UV STERILIZER FC-45 220V-50HZ 120W-2" BSP M AISI 316L	055	251		

Certificates	Manufacturer	Sectors
DM174-2004 CE	MWG	Commercial, Industrial

Industrial Flanged Multilamp U.V. Sterilizers FC-D Series



- To be used for industrial water disinfection systems;
- Multilamp U.V. sterilizer with polished AISI 304 sterilizing chamber (option in AISI 316L not available in stock) with inspection window and drain connection;
- Electric box with electronic circuit, connection cable, operating time meter and switch;
- Operating and service/failure led;
- Lamp quartz sheath;
- Max operating pressure 7 bar;
- Temperature $2 \div 40^{\circ}\text{C}$;
- Power supply 230 V - 50 Hz;
- Irradiation $> 40 \text{ mJ/cm}^2$;
- Lamp life 10.000 hours;
- Protection class IP43;
- Possibility of connection with
- Shut down solenoid valve;

Ref	Description	Fam.	Subfam.	Disp. Stock	
HA400	UV STERILIZER FC-70D 220V-50HZ 2x100W - DN50	055	252	•	
HA400A	UV STERILIZER FC-70D 220V-50HZ 2x100W - DN50 316L	055	252		
HA410	UV STERILIZER FC-120D 220V-50HZ 3x120W - DN65	055	252	•	
HA410A	UV STERILIZER FC-120D 220V-50HZ 3x120W - DN65 316L	055	252		
HA420	UV STERILIZER FC-180D 220V-50HZ 5x120W - DN80	055	252	•	
HA420A	UV STERILIZER FC-180D 220V-50HZ 5x120W-DN80 316L	055	252		
HA430	UV STERILIZER FC-250D 220V-50HZ 7x120W - DN100	055	252	•	
HA430A	UV STERILIZER FC-250D 220V-50HZ 7x120W - DN100 316L	055	252		

Ref	AISI	Max flow (l/h)	N. Lamps	Power (w)	Connect.	Diameter (mm)	Lenght (mm)
HA400	304	15.900	2	200	DN50 Flangiaged	220	1.250
HA400A	316L	15.900	2	200	DN50 Flangiaged	220	1.250
HA410	304	27.250	3	360	DN65 Flangiaged	273	1.250
HA410A	316L	27.250	3	360	DN65 Flangiaged	273	1.250
HA420	304	40.880	5	600	DN80 Flangiaged	323	1.250
HA420A	316L	40.880	5	600	DN80 Flangiaged	323	1.250
HA430	304	56.780	7	840	DN100 Flangiaged	400	1.250
HA430A	316L	56.780	7	840	DN100 Flangiaged	400	1.250

Certificates	Manufacturer	Sectors
DM174-2004 CE	MWG	Industrial

U.V. Sterilizers HR - PC - W - FC - FC/D Spare Parts

Ref	Description	Fam.	Subfam.	Disp. Stock	
HA500	LAMP UV- T5L10W	055	255	•	
HA502	LAMP UV - T5L15W	055	255	•	
HA504	LAMP UV - T5L21W	055	255	•	
HA506	LAMP UV - T5L29W	055	255	•	
HA508	LAMP UV - T5L40W	055	255	•	
HA510	LAMP UV - T5L65W	055	255	•	
HA512	LAMP UV - T5L85W	055	255	•	
HA514	LAMP UV - T6L100W	055	255	•	
HA516	LAMP UV - T6L120W	055	255	•	
HA530	QUARZ FOR LAMP UV - T5L10W D.24,5 X L. 250 mm ONE OPEN END	055	255	•	
HA531	QUARZ FOR LAMP UV - T5L10W D.24,5 X L. 250 mm	055	255	•	
HA532	QUARZ FOR LAMP UV - T5L15W D.24,5 X L.350 mm	055	255	•	
HA534	QUARZ FOR LAMP UV - T5L21W D.24,5 X L.530 mm	055	255	•	
HA536	QUARZ FOR LAMP UV - T5L29W D.24,5 X L.680 mm	055	255	•	
HA538	QUARZ FOR LAMP UV - T5L40-65W D.24,5 X L.910 mm	055	255	•	
HA540	QUARZ FOR LAMP UV - T6L80W D.30,0 X L.910 mm	055	255	•	
HA542	QUARZ FOR LAMP UV - T6L100-120W D.30,0 X L.1205 mm	055	255	•	
HA550	SILICONE O-RING FOR QUARTZ SHEATH D.24,5 mm	055	255	•	
HA550A	VITON O-RING FOR QUARTZ SHEATH D. 24,5 mm	055	255	•	
HA552A	VITON O-RING FOR QUARTZ SHEATH D. 30,0 mm	055	255	•	
HA560	ELECTRONIC BALLAST UVC-1021,230V 50-60HZ FOR LAMP 10-21W	055	255	•	
HA562	ELECTRONIC BALLAST UVC-2040,230V 50-60HZ FOR LAMP 29- 40W	055	255	•	
HA563	ELECTRONIC BALLAST UVC-2040,230V 50-60HZ INSIDE Q.E. FOR LAMP 29-40W	055	255	•	
HA564	ELECTRONIC BALLAST UVC-6585,230V 50-60HZ INSIDE Q.E. FOR LAMP 65-80W	055	255	•	
HA566	ELECTRONIC BALLAST UV12 100-240 V/50HZ 90-155W SINGLE-LAMP	055	255	•	
HA570	COMPLETE CONTROL BOX FC-8-12	055	255	•	
HA572	COMPLETE CONTROL BOX FC-15-20-24	055	255	•	
HA574	COMPLETE COMTROL BOX FC-35/45	055	255	•	
HA576	COMPLETE CONTROL BOX FC-70D	055	255	•	
HA577	COMPLETE CONTROL BOX FC-120D	055	255	•	
HA578	COMPLETE CONTROL BOX FC-180D	055	255	•	
HA579	COMPLETE CONTROL BOX FC-250D	055	255	•	

U.V. Sterilizers HR - PC - W - FC - FC/D Spare Parts

Ref	Sterilizers UV
HA500	HR-60 PC-1
HA502	W-180
HA504	W-360
HA506	W-480 FC-8
HA508	W-720 FC-12
HA510	FC-15 FC-20
HA512	FC-24
HA514	FC-35 2x FC-70D
HA516	FC-35 3x FC-120D 5x FC-180D 7x FC-250D
HA530	HR-60
HA531	PC-1
HA532	W-180
HA534	W-360
HA536	W-480 FC-8
HA538	W-720 FC-20 FC-15
HA540	FC-20 FC-24
HA542	FC-35 FC-45 2x FC-70D 3x FC-120D 5x FC-180D 7x FC-250D
HA550	HR-60 PC-1 W-180 W-360 W-480 W-720
HA550A	FC-8 FC-12 FC-15
HA552A	FC-20 FC-24 FC-35 FC-45 FC-70D FC-120D FC-180D FC-250D
HA560	HR-60 PC-1 W-180 W-360
HA562	W-480 W-720
HA563	FC-8 FC-12
HA564	FC-15 FC-20 FC-24
HA566	FC-35 FC-45 FC-70D FC-120D FC-180D FC-250D
HA570	FC-8 FC-12
HA572	FC-15 FC-20 FC-24
HA574	FC-35 FC-45
HA576	FC-70D
HA577	FC-120D
HA578	FC-180D
HA579	FC-250D

Old U.V. Sterilizers Spare Parts

Ref	Description	Fam.	Subfam.	Disp. Stock	
HA055	LAMPADA UV-6W	055	255		
HA049	LAMPADA UV 6 WATT 2+2 PIN	055	255		
HA051	LAMP UV 12 WATT	055	255	•	
HA052	LAMP UV 16 WATT	055	255	•	
HA053	LAMP UV 30 WATT	055	255	•	
HA054	LAMP UV 40 WATT	055	255	•	
HA056	LAMP UV 80 WATT	055	255	•	
HA065	QUARZO PER LAMPADA UV-6W	055	255		
HA067	QUARZO PER LAMPADA UV 6 WATT INOX	055	255		
HA060	QUARZ FOR LAMP UV 10 WATT	055	255	•	
HA061	QUARZ FOR LAMP UV 12 WATT	055	255	•	
HA062	QUARZ FOR LAMP UV 16 WATT	055	255	•	
HA063	QUARZ FOR LAMP UV 30 WATT	055	255	•	
HA064	QUARZ FOR LAMP UV 40 W E 80 W	055	255	•	
HA074	O-RING FOR QUARTZ SHEATH	055	255	•	
HA069	BALLAST 220V/50HZ DEBATT. UV-6W	055	255		
HA070	UV 12 - UV 16 STERILIZER TRANSFORMER	055	255		
HA073	POWER ELECTRICAL BOARD FOR UV 30 - 40 - 240 - 340	055	255		
HA073A	POWER ELECTRICAL BOARD FOR UV 440-540	055	255		

Industrial U.V. Sterilizers in HDPE

- Made in European Union (Italy);
- To be used for industrial water disinfection systems;
- With reactor in HDPE, available on demand with sensor;
- Electric box with electronic circuit, connection cable, operating time meter and switch;
- Operating and failure led;
- With lamp quartz sheath;
- Available on request with UL certificate (for USA and Canada);
- Conform with EAC certificate for Russia and near-by Countries;
- Conform with Norwegian Restrictive Quality Certification for drinking water in Norway;
- Conform with a Norwegian certification of National Veterinary Institute, which gives the leading rules applied world wide in the sector of the fish farm;
- Max operating pressure 6 bar (4 bar for HA830 and HA832);
- UVC transmittance 99% - 1cm, UVC dose 400 J/m2 ;
- Power supply 230 V - 50/60 Hz; Reactor protection class IP65;
- Control panel protection class IP54 (IP55 for models less than 15 m3/h);
- Possibility of connection with shut down solenoid valve;
- Optional cleaning system.
- Temperature: 5 ÷ 35°C;
- ↑ From bottom to top. ↔ Both directions.

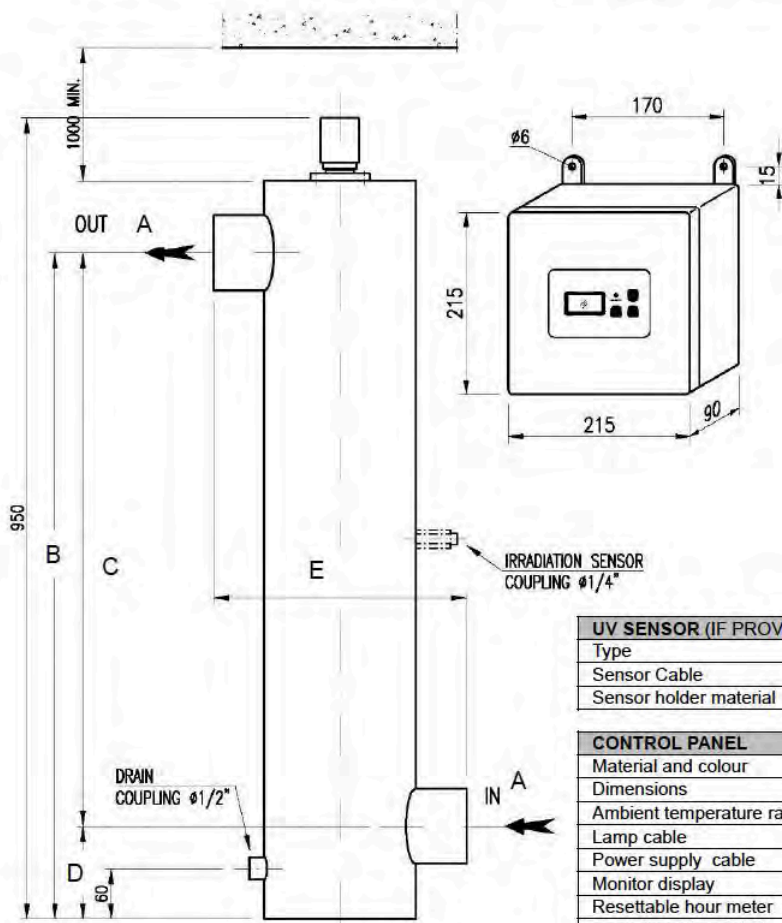
Ref	Description	Fam.	Subfam.	Disp. Stock	
HA800N	UV STERILIZER UV IN HDPE 3 M3/H	055	254		
HA800	UV STERILIZER IN HDPE 3 M3/H WITH DOSING SENSOR	055	254		
HA802N	UV STERILIZER IN HDPE 5 M3/H	055	254		
HA802	UV STERILIZER IN HDPE 5 M3/H WITH SENSOR	055	254		
HA804N	UV STERILIZER IN HDPE 8 M3/H	055	254		
HA804	UV STERILIZER IN HDPE 8 M3/H WITH SENSOR	055	254		
HA806N	UV STERILIZER IN HDPE 15 M3/H	055	254		
HA806	UV STERILIZER IN HDPE 15 M3/H WITH SENSOR	055	254		
HA808	UV STERILIZER IN HDPE 22 M3/H WITH SENSOR	055	254		
HA810	UV STERILIZER IN HDPE 35 M3/H WITH SENSOR	055	254		
HA812	UV STERILIZER IN HDPE 45 M3/H WITH SENSOR	055	254		
HA814	UV STERILIZER IN HDPE 61 M3/H WITH SENSOR	055	254		
HA816	UV STERILIZER IN HDPE 90 M3/H WITH SENSOR	055	254		
HA818	UV STERILIZER IN HDPE 110 M3/H WITH SENSOR	055	254		
HA820	UV STERILIZER IN HDPE 150 M3/H WITH SENSOR	055	254		
HA822	UV STERILIZER IN HDPE 250 M3/H WITH SENSOR	055	254		
HA824	UV STERILIZER IN HDPE 340 M3/H WITH SENSOR	055	254		
HA826	UV STERILIZER IN HDPE 470 M3/H WITH SENSOR	055	254		
HA828	UV STERILIZER IN HDPE 600 M3/H WITH SENSOR	055	254		
HA830	UV STERILIZER IN HDPE 830 M3/H WITH SENSOR	055	254		
HA832	UV STERILIZER IN HDPE 980 M3/H WITH SENSOR	055	254		

Ref	Total consumption (w)	N°Lamps	Lamp power (w)	Life span lamps	In/Out connections	Mounting	Flow direction
HA800N	40	1	40	9.000	1½" F	Vert.	↑
HA800	40	1	40	9.000	1½" F	Vert.	↑
HA802N	80	1	80	9.000	1½" F	Vert.	↑
HA802	80	1	80	9.000	1½" F	Vert.	↑
HA804N	80	2	40	9.000	2½" F	Vert.	↑
HA804	80	2	40	9.000	2½" F	Vert.	↑
HA806N	160	2	80	9.000	2½" F	Vert.	↑
HA806	160	2	80	9.000	2½" F	Vert.	↑
HA808	260	3	80	9.000	DN65	Vert.	↑
HA810	335	4	80	9.000	DN80	Vert.	↑
HA812	440	5	80	9.000	DN100	Vert.	↑
HA814	440	2	200	12.000	DN100	Vert.	↑
HA816	660	3	200	12.000	DN100	Orizz.	↔
HA818	880	2	400	16.000	DN150	Orizz.	↔
HA820	1300	3	400	16.000	DN200	Orizz.	↔
HA822	1760	4	400	16.000	DN250	Orizz.	↔
HA824	2180	5	400	16.000	DN250	Orizz.	↔
HA826	3100	7	400	16.000	DN300	Orizz.	↔
HA828	3500	8	400	16.000	DN350	Orizz.	↔
HA830	4400	10	400	16.000	DN400	Orizz.	↔
HA832	5300	12	400	16.000	DN450	Orizz.	↔

Certificates	Manufacturer	Sectors
DM174-2004 CE, EAC	MWG	Industrial

Industrial U.V. Sterilizers in HDPE

REF.	REACTOR VOLUME (liters)	REACTOR WEIGHT (kg)	IN-OUT	B (mm)	C (mm)	D (mm)	E (mm)
HA800N	6	4	1 1/2" F	807	727	80	200
HA800	6	4	1 1/2" F	807	727	80	200
HA802N	6	4	1 1/2" F	807	727	80	200
HA802	6	4	1 1/2" F	807	727	80	200
HA804N	12,4	8	2 1/2" F	790	680	110	300
HA804	12,4	8	2 1/2" F	790	680	110	300
HA806N	12,4	11	2 1/2" F	790	680	110	300
HA806	12,4	11	2 1/2" F	790	680	110	300

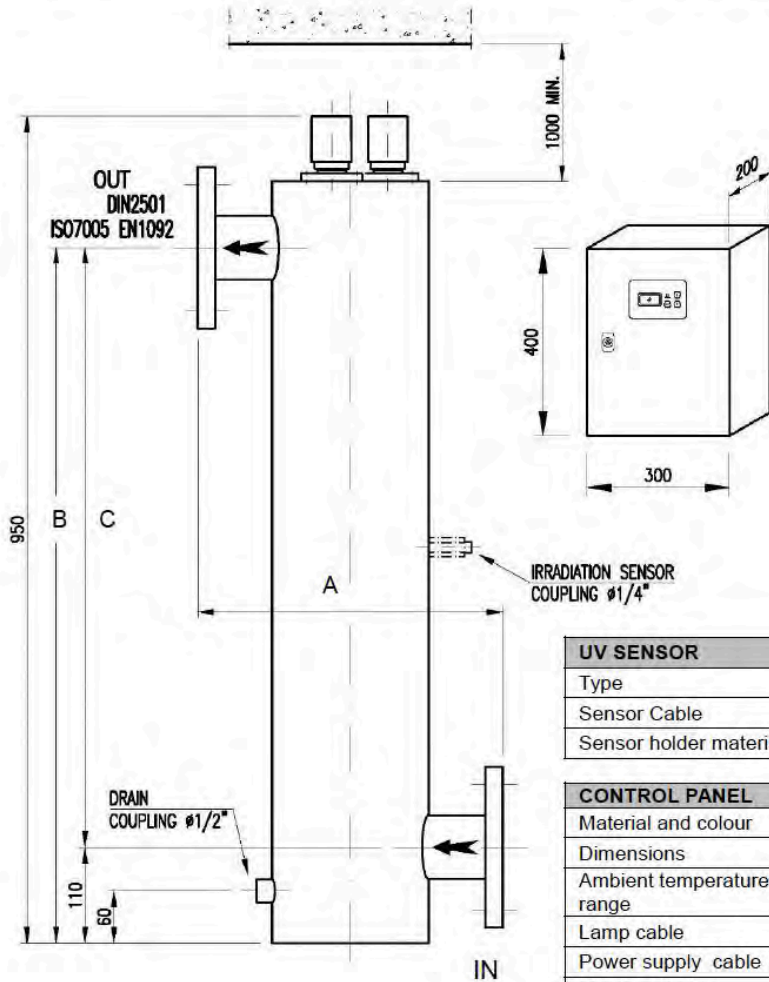


UV SENSOR (IF PROVIDED)	
Type	UVC selective sensor Mod. UV737TF
Sensor Cable	Shielded cable 4 meters
Sensor holder material	Teflon

CONTROL PANEL	LCD
Material and colour	Black Polypropylene
Dimensions	215 x 215 x 90 mm
Ambient temperature range	5 - 45 °C
Lamp cable	1 m
Power supply cable	1 m
Monitor display	LCD
Resettable hour meter	Yes for lamp life control
Lamp function control	Si
Free contact (NO - NC)	Yes - general alarm (max 2 A)
230 V output (NO - NC)	Yes - general alarm (max 2 A)
Remote ON/OFF contact	Yes (settable)
ON/OFF Timer	Yes (settable)
Reactor temperature measurement and alarm	Yes (°C) - settable value (shut off for high temperature) on Models with Sensor
UV Irradiance measurement and alarm	Yes (% or W/m ² optional) - settable value on Models with Sensor
4/20 mA output	Optional - for Irradiance and water temperature on Models with Sensor

Industrial U.V. Sterilizers in HDPE

REF.	REACTOR VOLUME (liters)	REACTOR WEIGHT (kg)	IN/OUT CONNECTIONS	A (mm)	B (mm)	C (mm)
HA808	12,7	11	Flange DN65	350	799	689
HA810	20,1	16	Flange DN80	400	790	680

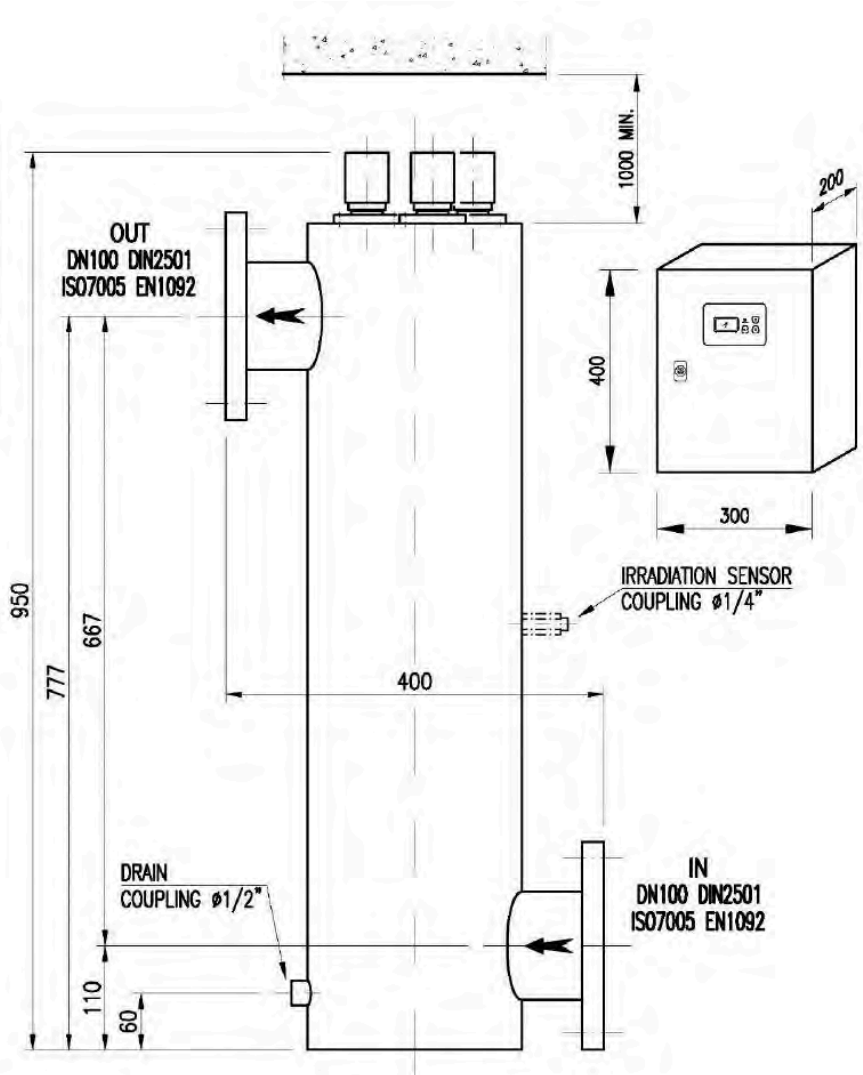


UV SENSOR	
Type	UVC selective sensor Mod. UV737TF
Sensor Cable	Shielded cable 4 meters
Sensor holder material	Teflon

CONTROL PANEL	RACK LCD PLUS
Material and colour	Painted Steel – RAL 7035
Dimensions	400 x 300 x 200 mm
Ambient temperature range	5 – 45 °C
Lamp cable	1 m
Power supply cable	1 m
Monitor display	LCD
Resettable hour meter	Yes for lamp life control
Lamp function control	Si
Free contact (NO - NC)	Yes – general alarm (max 2 A)
230 V output (NO - NC)	Yes – general alarm (max 2 A)
Remote ON/OFF contact	Yes (settable)
ON/OFF Timer	Yes (settable)
Reactor temperature measurement and alarm	Yes (°C) – settable value (shut off for high temperature)
UV Irradiance measurement and alarm	Yes (% or W/m ² optional) – settable value
4/20 mA output	Optional – for Irradiance and water temperature

Industrial U.V. Sterilizers in HDPE

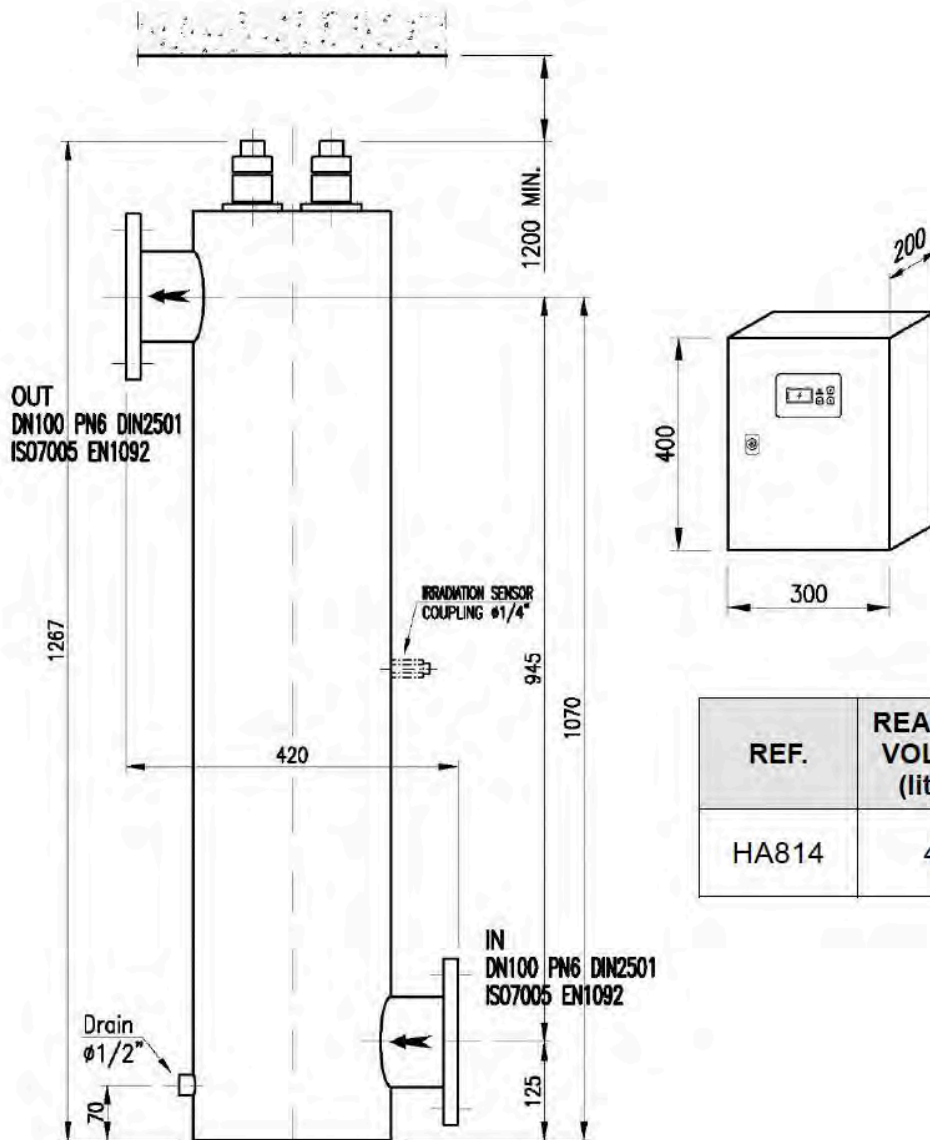
REF.	REACTOR VOLUME (liters)	REACTOR WEIGHT (kg)
HA812	20,5	19



UV SENSOR	
Type	UVC selective sensor Mod. UV737TF
Sensor Cable	Shielded cable 4 meters
Sensor holder material	Teflon

CONTROL PANEL	RACK LCD PLUS
Material and colour	Painted Steel – RAL 7035
Dimensions	400 x 300 x 200 mm
Ambient temperature range	5 – 45 °C
Lamp cable	1 m
Power supply cable	1 m
Monitor display	LCD
Resettable hour meter	Yes for lamp life control
Lamp function control	Si
Free contact (NO - NC)	Yes – general alarm (max 2 A)
230 V output (NO - NC)	Yes – general alarm (max 2 A)
Remote ON/OFF contact	Yes (settable)
ON/OFF Timer	Yes (settable)
Reactor temperature measurement and alarm	Yes (°C) – settable value (shut off for high temperature)
UV Irradiance measurement and alarm	Yes (% or W/m ² optional) – settable value
4/20 mA output	Optional – for Irradiance and water temperature

Industrial U.V. Sterilizers in HDPE

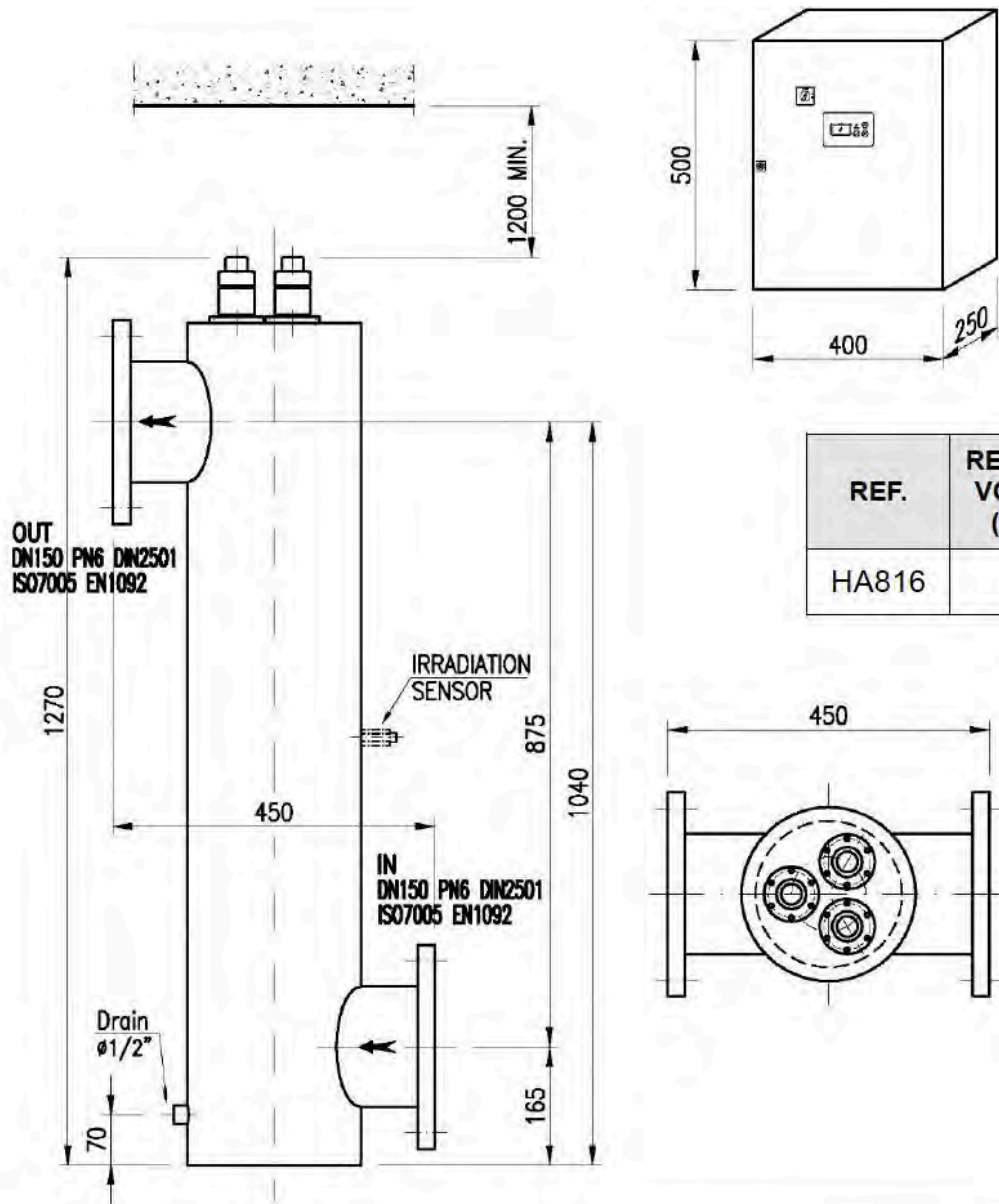


REF.	REACTOR VOLUME (liters)	REACTOR WEIGHT (kg)
HA814	40	30

UV SENSOR	
Type	UVC selective sensor Mod. UV737TF
Sensor Cable	Shielded cable 4 meters
Sensor holder material	Teflon

CONTROL PANEL	RACK LCD PLUS
Material and colour	Painted Steel – RAL 7035
Dimensions	400 x 300 x 200 mm
Ambient temperature range	5 – 45 °C
Lamp cable	1 m
Power supply cable	1 m
Monitor display	LCD
Resettable hour meter	Yes for lamp life control
Lamp function control	Si
Free contact (NO - NC)	Yes – general alarm (max 2 A)
230 V output (NO - NC)	Yes – general alarm (max 2 A)
Remote ON/OFF contact	Yes (settable)
ON/OFF Timer	Yes (settable)
Reactor temperature measurement and alarm	Yes (°C) – settable value (shut off for high temperature)
UV Irradiance measurement and alarm	Yes (% or W/m ² optional) – settable value
4/20 mA output	Optional – for Irradiance and water temperature

Industrial U.V. Sterilizers in HDPE



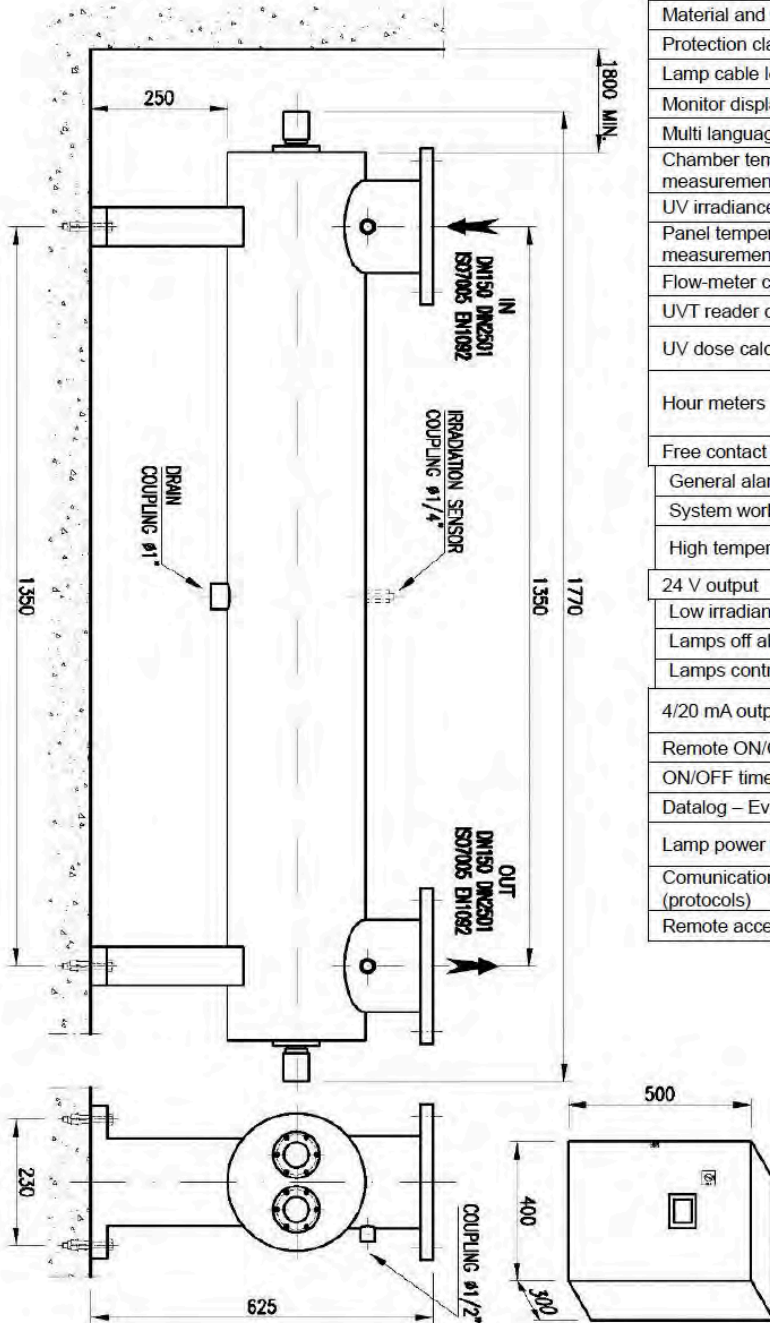
REF.	REACTOR VOLUME (liters)	REACTOR WEIGHT (kg)
HA816	40	30

UV SENSOR	
Type	UVC selective sensor Mod. UV737TF
Sensor Cable	Shielded cable 4 meters
Sensor holder material	Teflon

CONTROL PANEL	RACK LCD PLUS
Material and colour	Painted Steel - RAL 7035
Dimensions	400 x 300 x 200 mm
Ambient temperature range	5 - 45 °C
Lamp cable	1 m
Power supply cable	1 m
Monitor display	LCD
Resettable hour meter	Yes for lamp life control
Lamp function control	Si
Free contact (NO - NC)	Yes - general alarm (max 2 A)
230 V output (NO - NC)	Yes - general alarm (max 2 A)
Remote ON/OFF contact	Yes (settable)
ON/OFF Timer	Yes (settable)
Reactor temperature measurement and alarm	Yes (°C) - settable value (shut off for high temperature)
UV Irradiance measurement and alarm	Yes (% or W/m ² optional) - settable value
4/20 mA output	Optional - for Irradiance and water temperature

Industrial U.V. Sterilizers in HDPE

REF.	REACTOR VOLUME (liters)	REACTOR WEIGHT (kg)
HA818	50	42

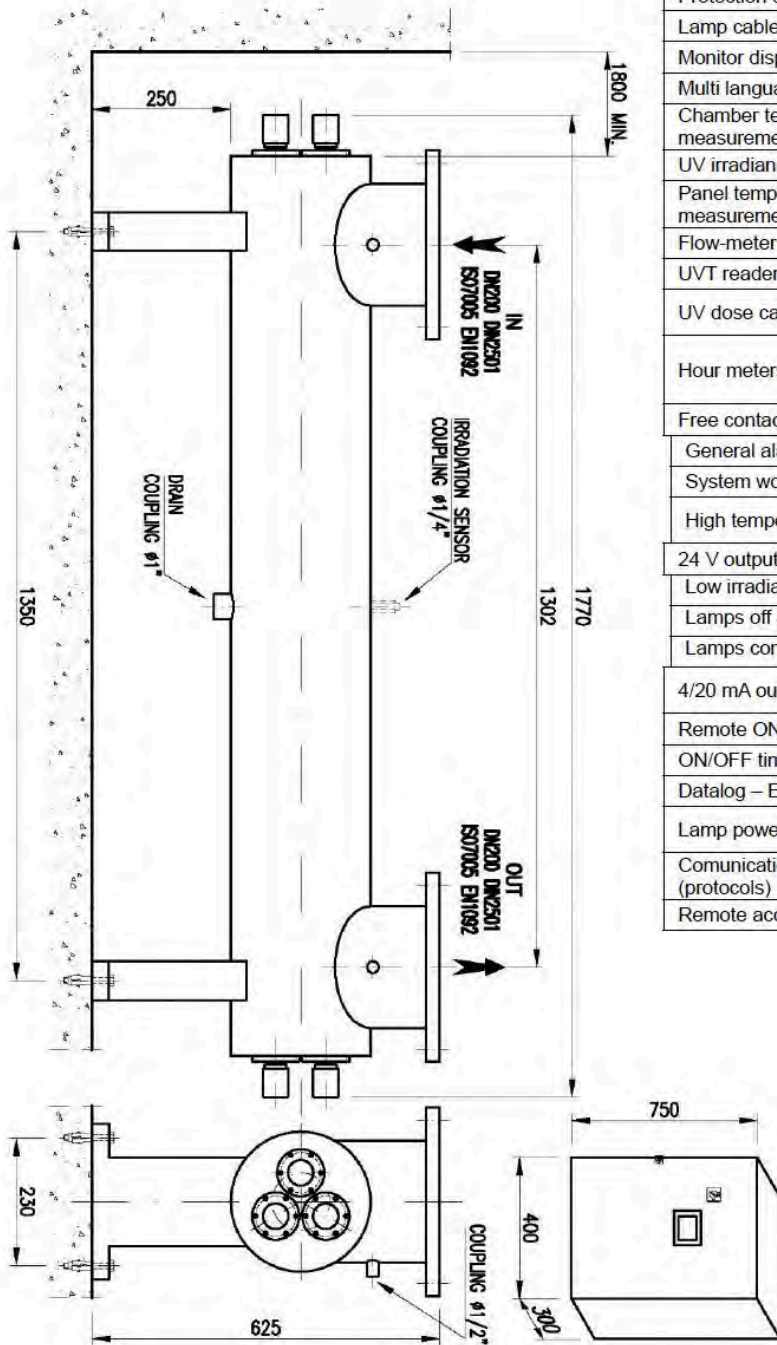


UV SENSOR	
Type	UVC selective sensor Mod. UV737TF
Sensor Cable	Shielded cable 4 meters
Sensor holder material	Teflon

CONTROL PANEL	TC
Material and colour	Painted Steel – RAL 7035
Protection class	IP 54
Lamp cable length	2,5 m
Monitor display	Touch-Screen (65000 colours)
Multi language display	Yes
Chamber temperature measurement	Yes (°C)
UV irradiance measurement	Yes (% or W/m ²)
Panel temperature measurement	Yes (°C)
Flow-meter connection	Yes (4-20 mA)
UVT reader connection	Yes (4-20 mA)
UV dose calculation	Optional (only with external flow meter)
Hour meters	For total system life – Resettable for lamp life control
Free contact alarms (N/O)	Yes (max 1.3 A)
General alarm	Yes (settable contact working)
System working signal	Yes
High temperature alarm	Yes for panel and reactor (shut off for high temperature)
24 V output	Yes
Low irradiance alarm	Yes (settable value)
Lamps off alarm	Yes
Lamps control on/off	Yes
4/20 mA output	Yes for irradiance and temperature
Remote ON/OFF	Yes (settable contact working)
ON/OFF timer	Yes
Datalog – Events	Yes
Lamp power regulation	Manual or Automatic (dose or flow pacing)
Communication ports (protocols)	CAN, Ethernet, USB, Seriale (Modbus, TCP/IP, CANopen)
Remote access	with specific App or WebGate

Industrial U.V. Sterilizers in HDPE

REF.	REACTOR VOLUME (liters)	REACTOR WEIGHT (kg)
HA820	52,3	42

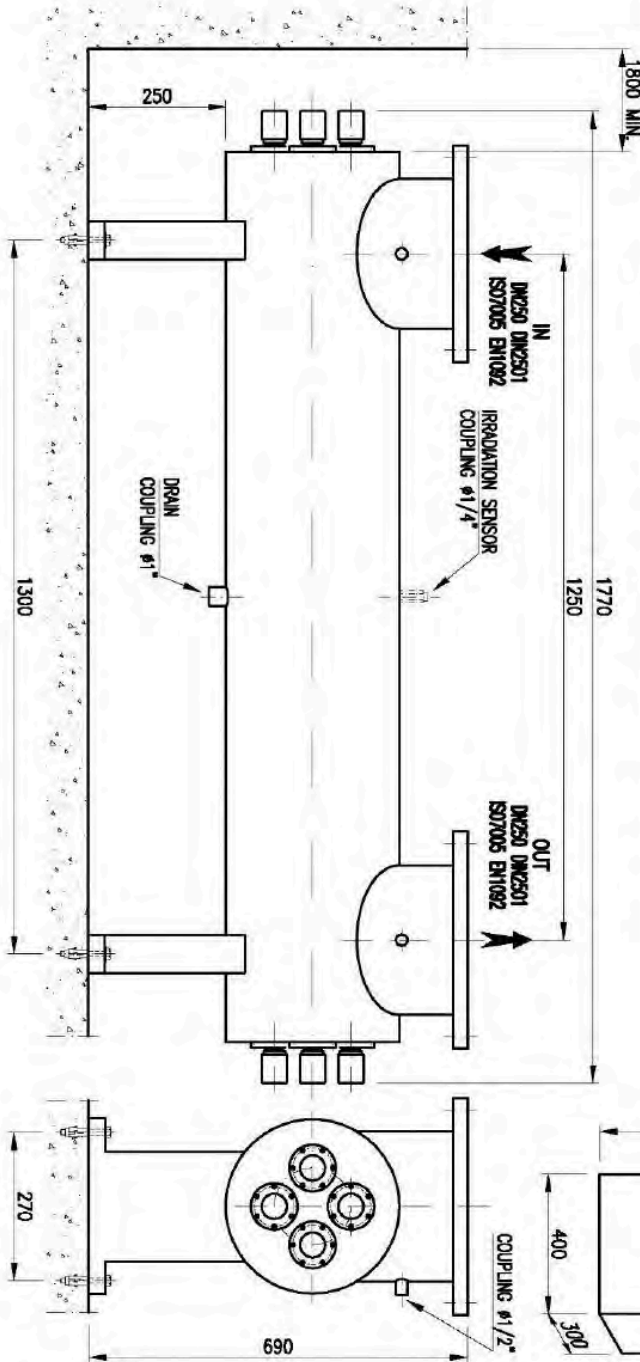


UV SENSOR	
Type	UVC selective sensor Mod. UV737TF
Sensor Cable	Shielded cable 4 meters
Sensor holder material	Teflon

CONTROL PANEL	TC
Material and colour	Painted Steel – RAL 7035
Protection class	IP 54
Lamp cable length	2,5 m
Monitor display	Touch-Screen (65000 colours)
Multi language display	Yes
Chamber temperature measurement	Yes (°C)
UV irradiance measurement	Yes (% or W/m ²)
Panel temperature measurement	Yes (°C)
Flow-meter connection	Yes (4-20 mA)
UVT reader connection	Yes (4-20 mA)
UV dose calculation	Optional (only with external flow meter)
Hour meters	For total system life – Resettable for lamp life control
Free contact alarms (N/O)	Yes (max 1.3 A)
General alarm	Yes (settable contact working)
System working signal	Yes
High temperature alarm	Yes for panel and reactor (shut off for high temperature)
24 V output	Yes
Low irradiance alarm	Yes (settable value)
Lamps off alarm	Yes
Lamps control on/off	Yes
4/20 mA output	Yes for irradiance and temperature
Remote ON/OFF	Yes (settable contact working)
ON/OFF timer	Yes
Datalog – Events	Yes
Lamp power regulation	Manual or Automatic (dose or flow pacing)
Communication ports (protocols)	CAN, Ethernet, USB, Seriale (Modbus, TCP/IP, CANopen)
Remote access	with specific App or WebGate

Industrial U.V. Sterilizers in HDPE

REF.	REACTOR VOLUME (liters)	REACTOR WEIGHT (kg)
HA822	84	52



UV SENSOR	
Type	UVC selective sensor Mod. UV737TF
Sensor Cable	Shielded cable 4 meters
Sensor holder material	Teflon

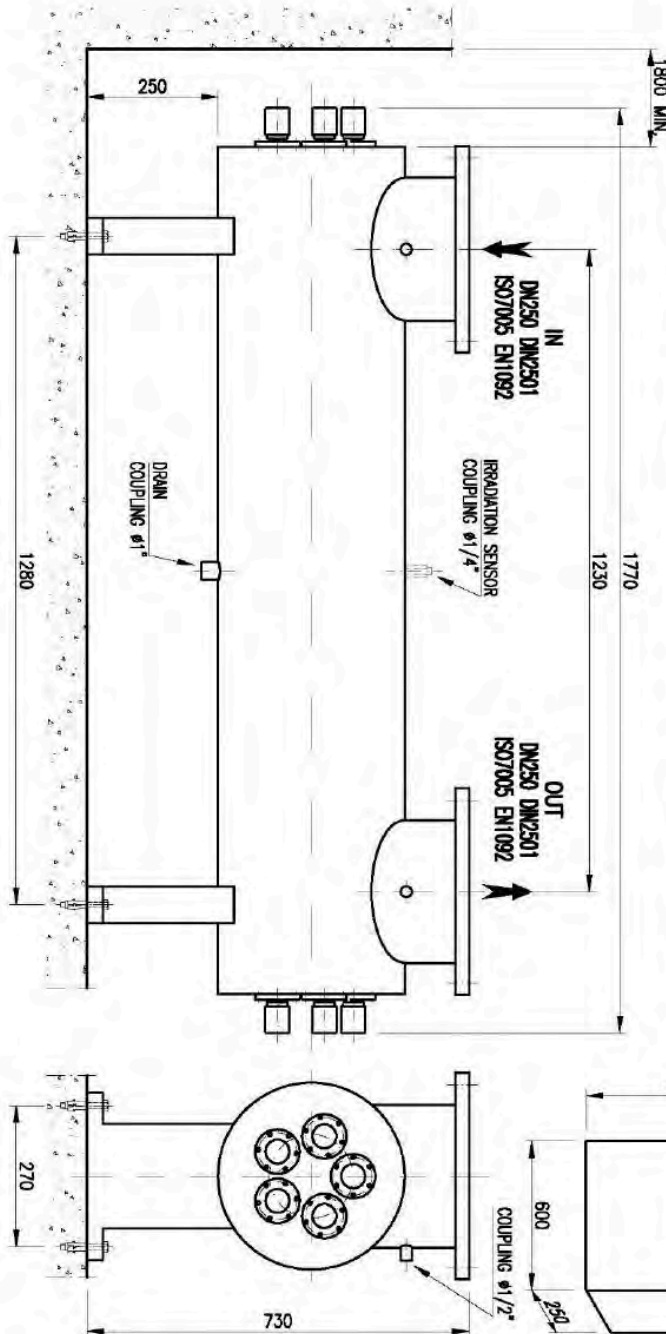
CONTROL PANEL	TC
Material and colour	Painted Steel – RAL 7035
Protection class	IP 54
Lamp cable length	2,5 m
Monitor display	Touch-Screen (65000 colours)
Multi language display	Yes
Chamber temperature measurement	Yes (°C)
UV irradiance measurement	Yes (% or W/m ²)
Panel temperature measurement	Yes (°C)
Flow-meter connection	Yes (4-20 mA)
UVT reader connection	Yes (4-20 mA)
UV dose calculation	Optional (only with external flow meter)
Hour meters	For total system life – Resettable for lamp life control
Free contact alarms (N/O)	Yes (max 1.3 A)
General alarm	Yes (settable contact working)
System working signal	Yes
High temperature alarm	Yes for panel and reactor (shut off for high temperature)
24 V output	Yes
Low irradiance alarm	Yes (settable value)
Lamps off alarm	Yes
Lamps control on/off	Yes
4/20 mA output	Yes for irradiance and temperature
Remote ON/OFF	Yes (settable contact working)
ON/OFF timer	Yes
Datalog – Events	Yes
Lamp power regulation	Manual or Automatic (dose or flow pacing)
Communication ports (protocols)	CAN, Ethernet, USB, Seriale (Modbus, TCP/IP, CANopen)
Remote access	with specific App or WebGate

Industrial U.V. Sterilizers in HDPE

REF.	REACTOR VOLUME (liters)	REACTOR WEIGHT (kg)
HA824	101	80

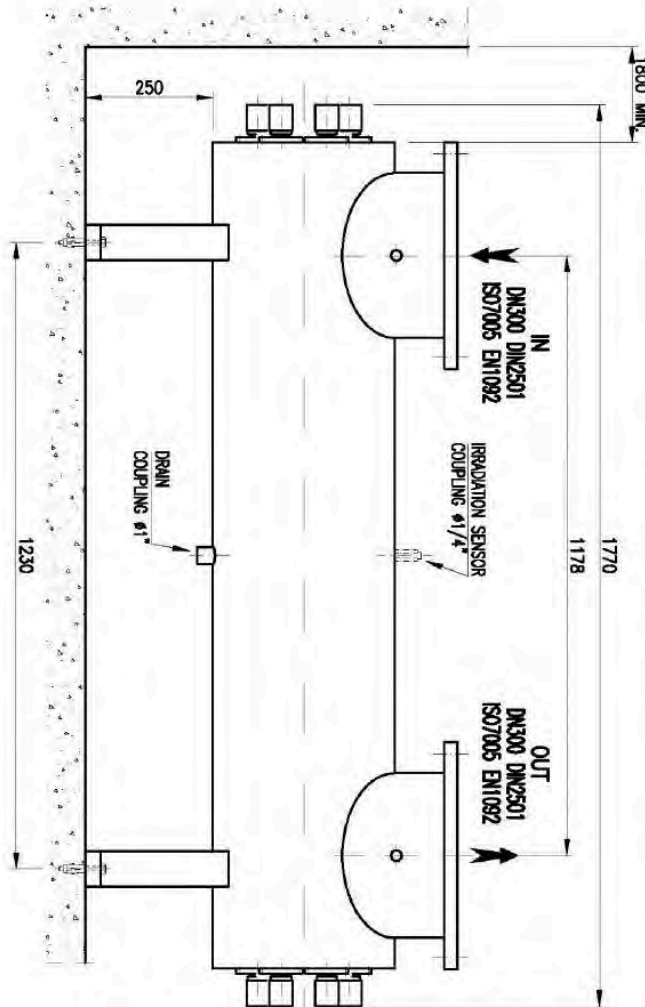
UV SENSOR	
Type	UVC selective sensor Mod. UV737TF
Sensor Cable	Shielded cable 4 meters
Sensor holder material	Teflon

CONTROL PANEL	TC
Material and colour	Painted Steel – RAL 7035
Protection class	IP 54
Lamp cable length	2,5 m
Monitor display	Touch-Screen (65000 colours)
Multi language display	Yes
Chamber temperature measurement	Yes (°C)
UV irradiance measurement	Yes (% or W/m ²)
Panel temperature measurement	Yes (°C)
Flow-meter connection	Yes (4-20 mA)
UVT reader connection	Yes (4-20 mA)
UV dose calculation	Optional (only with external flow meter)
Hour meters	For total system life – Resettable for lamp life control
Free contact alarms (N/O)	Yes (max 1.3 A)
General alarm	Yes (settable contact working)
System working signal	Yes
High temperature alarm	Yes for panel and reactor (shut off for high temperature)
24 V output	Yes
Low irradiance alarm	Yes (settable value)
Lamps off alarm	Yes
Lamps control on/off	Yes
4/20 mA output	Yes for irradiance and temperature
Remote ON/OFF	Yes (settable contact working)
ON/OFF timer	Yes
Datalog – Events	Yes
Lamp power regulation	Manual or Automatic (dose or flow pacing)
Communication ports (protocols)	CAN, Ethernet, USB, Seriale (Modbus, TCP/IP, CANopen)
Remote access	with specific App or WebGate



Industrial U.V. Sterilizers in HDPE

REF.	REACTOR VOLUME (liters)	REACTOR WEIGHT (kg)
HA826	104	100

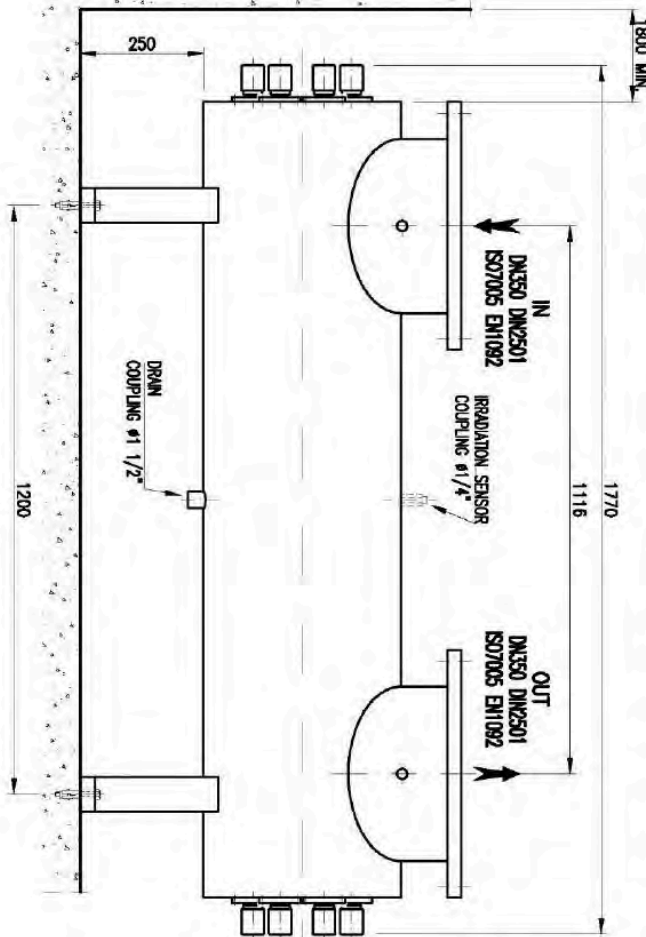


UV SENSOR	
Type	UVC selective sensor Mod. UV737TF
Sensor Cable	Shielded cable 4 meters
Sensor holder material	Teflon

CONTROL PANEL	TC
Material and colour	Painted Steel – RAL 7035
Protection class	IP 54
Lamp cable length	2,5 m
Monitor display	Touch-Screen (65000 colours)
Multi language display	Yes
Chamber temperature measurement	Yes (°C)
UV irradiance measurement	Yes (% or W/m ²)
Panel temperature measurement	Yes (°C)
Flow-meter connection	Yes (4-20 mA)
UVT reader connection	Yes (4-20 mA)
UV dose calculation	Optional (only with external flow meter)
Hour meters	For total system life – Resettable for lamp life control
Free contact alarms (N/O)	Yes (max 1.3 A)
General alarm	Yes (settable contact working)
System working signal	Yes
High temperature alarm	Yes for panel and reactor (shut off for high temperature)
24 V output	Yes
Low irradiance alarm	Yes (settable value)
Lamps off alarm	Yes
Lamps control on/off	Yes
4/20 mA output	Yes for irradiance and temperature
Remote ON/OFF	Yes (settable contact working)
ON/OFF timer	Yes
Datalog – Events	Yes
Lamp power regulation	Manual or Automatic (dose or flow pacing)
Communication ports (protocols)	CAN, Ethernet, USB, Seriale (Modbus, TCP/IP, CANopen)
Remote access	with specific App or WebGate

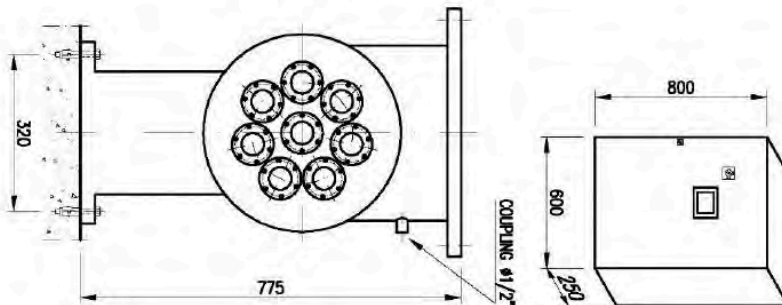
Industrial U.V. Sterilizers in HDPE

REF.	REACTOR VOLUME (liters)	REACTOR WEIGHT (kg)
HA828	130	165



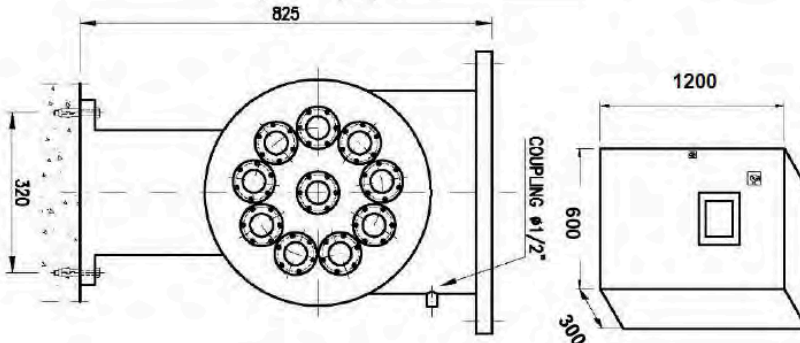
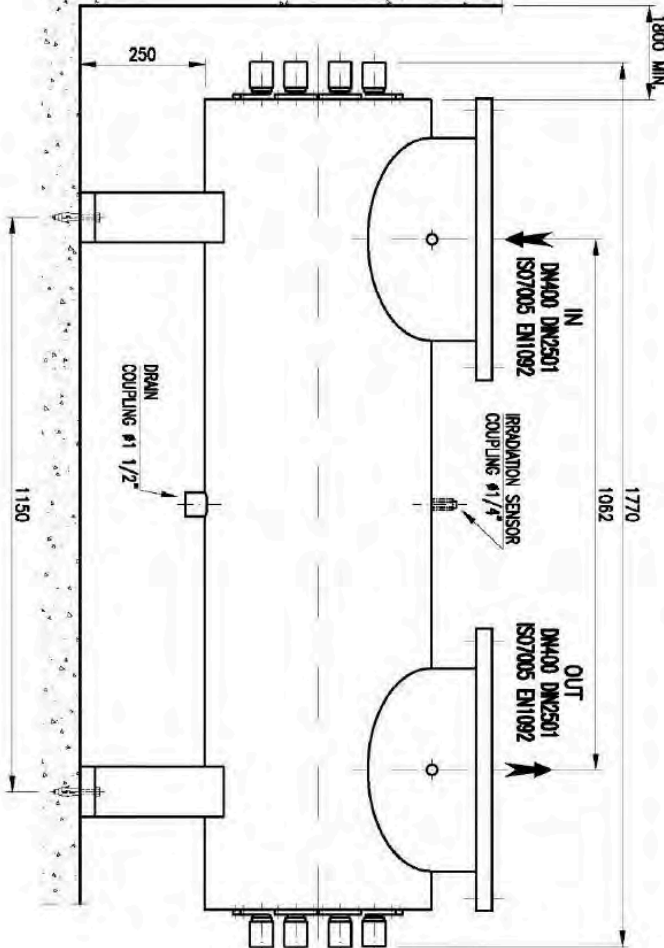
UV SENSOR	
Type	UVC selective sensor Mod. UV737TF
Sensor Cable	Shielded cable 4 meters
Sensor holder material	Teflon

CONTROL PANEL	TC
Material and colour	Painted Steel – RAL 7035
Protection class	IP 54
Lamp cable length	2,5 m
Monitor display	Touch-Screen (65000 colours)
Multi language display	Yes
Chamber temperature measurement	Yes (°C)
UV irradiance measurement	Yes (% or W/m ²)
Panel temperature measurement	Yes (°C)
Flow-meter connection	Yes (4-20 mA)
UVT reader connection	Yes (4-20 mA)
UV dose calculation	Optional (only with external flow meter)
Hour meters	For total system life – Resettable for lamp life control
Free contact alarms (N/O)	Yes (max 1.3 A)
General alarm	Yes (settable contact working)
System working signal	Yes
High temperature alarm	Yes for panel and reactor (shut off for high temperature)
24 V output	Yes
Low irradiance alarm	Yes (settable value)
Lamps off alarm	Yes
Lamps control on/off	Yes
4/20 mA output	Yes for irradiance and temperature
Remote ON/OFF	Yes (settable contact working)
ON/OFF timer	Yes
Datalog – Events	Yes
Lamp power regulation	Manual or Automatic (dose or flow pacing)
Communication ports (protocols)	CAN, Ethernet, USB, Seriale (Modbus, TCP/IP, CANopen)
Remote access	with specific App or WebGate



Industrial U.V. Sterilizers in HDPE

REF.	REACTOR VOLUME (liters)	REACTOR WEIGHT (kg)
HA830	165	180

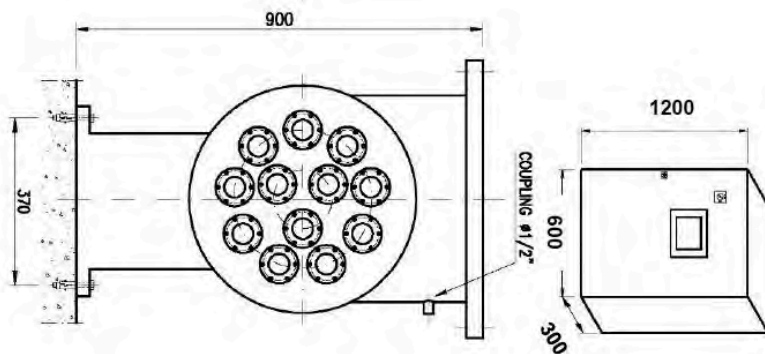
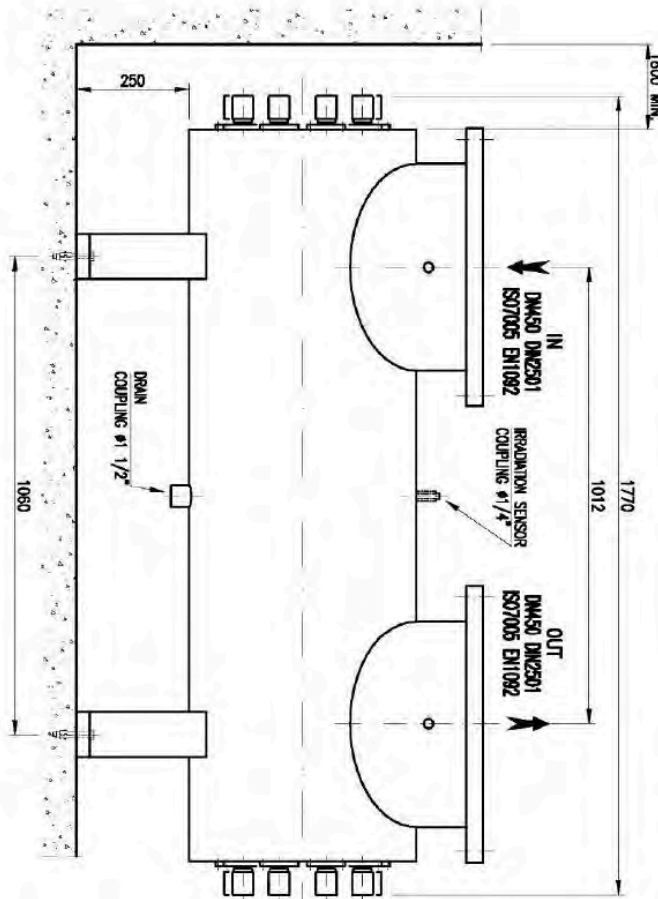


UV SENSOR	
Type	UVC selective sensor Mod. UV737TF
Sensor Cable	Shielded cable 4 meters
Sensor holder material	Teflon

CONTROL PANEL	TC
Material and colour	Painted Steel – RAL 7035
Protection class	IP 54
Lamp cable length	2,5 m
Monitor display	Touch-Screen (65000 colours)
Multi language display	Yes
Chamber temperature measurement	Yes (°C)
UV irradiance measurement	Yes (% or W/m ²)
Panel temperature measurement	Yes (°C)
Flow-meter connection	Yes (4-20 mA)
UVT reader connection	Yes (4-20 mA)
UV dose calculation	Optional (only with external flow meter)
Hour meters	For total system life – Resettable for lamp life control
Free contact alarms (N/O)	Yes (max 1.3 A)
General alarm	Yes (settable contact working)
System working signal	Yes
High temperature alarm	Yes for panel and reactor (shut off for high temperature)
24 V output	Yes
Low irradiance alarm	Yes (settable value)
Lamps off alarm	Yes
Lamps control on/off	Yes
4/20 mA output	Yes for irradiance and temperature
Remote ON/OFF	Yes (settable contact working)
ON/OFF timer	Yes
Datalog – Events	Yes
Lamp power regulation	Manual or Automatic (dose or flow pacing)
Communication ports (protocols)	CAN, Ethernet, USB, Seriale (Modbus, TCP/IP, CANopen)
Remote access	with specific App or WebGate

Industrial U.V. Sterilizers in HDPE

REF.	REACTOR VOLUME (liters)	REACTOR WEIGHT (kg)
HA832	214	220



UV SENSOR	
Type	UVC selective sensor Mod. UV737TF
Sensor Cable	Shielded cable 4 meters
Sensor holder material	Teflon

CONTROL PANEL	TC
Material and colour	Painted Steel – RAL 7035
Protection class	IP 54
Lamp cable length	2,5 m
Monitor display	Touch-Screen (65000 colours)
Multi language display	Yes
Chamber temperature measurement	Yes (°C)
UV irradiance measurement	Yes (% or W/m ²)
Panel temperature measurement	Yes (°C)
Flow-meter connection	Yes (4-20 mA)
UVT reader connection	Yes (4-20 mA)
UV dose calculation	Optional (only with external flow meter)
Hour meters	For total system life – Resettable for lamp life control
Free contact alarms (N/O)	Yes (max 1.3 A)
General alarm	Yes (settable contact working)
System working signal	Yes
High temperature alarm	Yes for panel and reactor (shut off for high temperature)
24 V output	Yes
Low irradiance alarm	Yes (settable value)
Lamps off alarm	Yes
Lamps control on/off	Yes
4/20 mA output	Yes for irradiance and temperature
Remote ON/OFF	Yes (settable contact working)
ON/OFF timer	Yes
Datalog – Events	Yes
Lamp power regulation	Manual or Automatic (dose or flow pacing)
Communication ports (protocols)	CAN, Ethernet, USB, Seriale (Modbus, TCP/IP, CANopen)
Remote access	with specific App or WebGate

Industrial U.V. Sterilizers in AISI 316L 200 W Series

- Made in European Union (Italy);
- To be used for industrial water disinfection systems;
- Single-lamp or multi-lamp systems, with single lamp 200 W;
- With reactor in AISI 316L, with sensor;
- Electric box with electronic circuit, connection cable, operating time meter and switch;
- Operating and failure led;
- Available on request with UL certificate (for USA and Canada);
- WRAS approved products (for UK);
- Conform with EAC certificate for Russia and near-by Countries;
- Conform with Polish Quality Certification for Poland;
- With lamp quartz sheath;
- Max operating pressure 10 bar; Temperature: 5 ÷ 50°C;
- UVC transmittance 98% - 1cm, UVC dose 400 J/m² ;
- Power supply 230 V - 50/60 Hz and life span of lamp 12.000 hours;
- Reactor protection class IP65;
- Control panel protection class IP54;
- Possibility of connection with shut down solenoid valve;
- Optional cleaning system (manual or automatic);
- Vertical mounting (horizontal for automatic cleaning systems).
- **NOTA:**
- ↑ = From bottom Optional to cleatop.
- ↔ = Both directions.

Ref	Description	Fam.	Subfam.	Disp. Stock	
HA840	UV2 STERILIZER IN AISI 316L 24 M3/H WITH DOSING SENSOR	055	252		
HA840M	UV2 STERILIZER IN AISI 316L 24 M3/H MAN. CLEANING WITH DOSING SENSOR	055	252		
HA840A	UV2 STERILIZER IN AISI 316L 24 M3/H SELF CLEANING WITH DOSING SENSOR	055	252		
HA842	UV2 STERILIZER IN AISI 316L 60 M3/H WITH DOSING SENSOR	055	252		
HA842M	UV2 STERILIZER IN AISI 316L 60 M3/H MAN. CLEANING WITH DOSING SENSOR	055	252		
HA842A	UV2 STERILIZER IN AISI 316L 60 M3/H SELF CLEANING WITH DOSING SENSOR	055	252		
HA844	UV2 STERILIZER IN AISI 316L 96 M3/H WITH DOSING SENSOR	055	252		
HA844A	UV2 STERILIZER IN AISI 316L 96 M3/H SELF CLEANING WITH DOSING SENSOR	055	252		
HA846	UV2 STERILIZER IN AISI 316L 125 M3/H WITH DOSING SENSOR	055	252		
HA848	UV2 STERILIZER IN AISI 316L 160 M3/H WITH DOSING SENSOR	055	252		
HA848A	UV2 STERILIZER IN AISI 316L 160 M3/H SELF CLEANING WITH DOSING SENSOR	055	252		

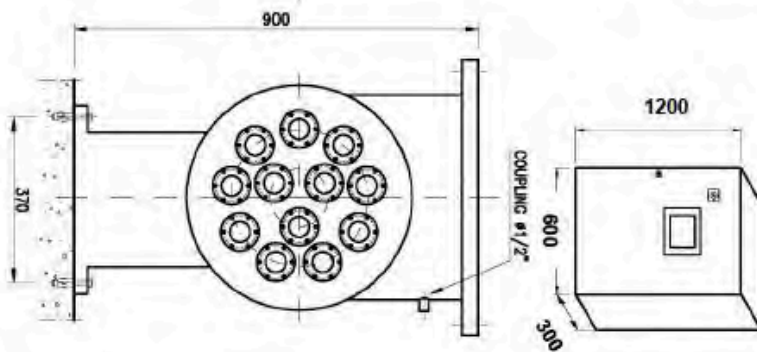
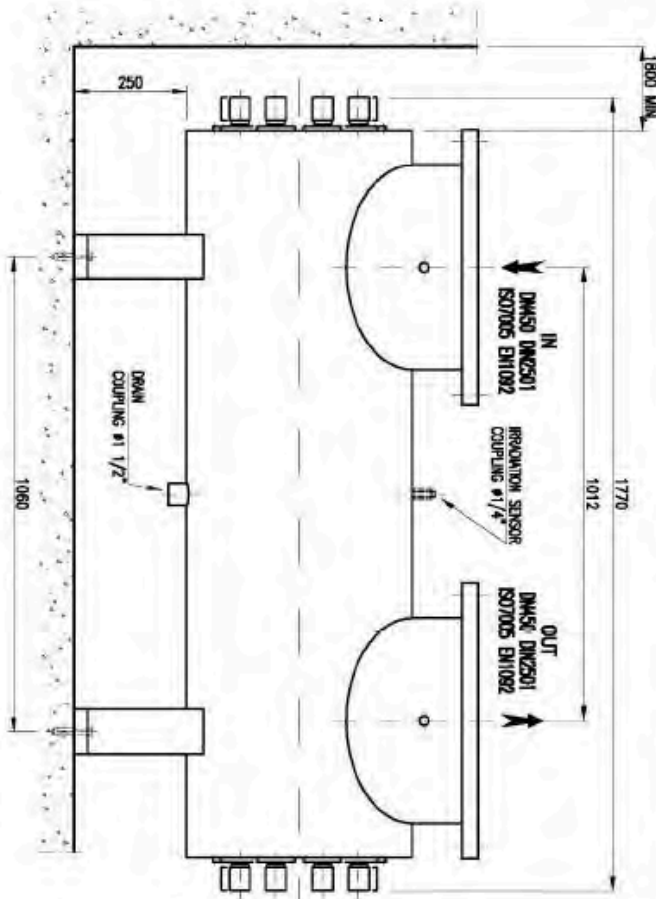
Industrial U.V. Sterilizers in AISI 316L 200 W Series

Ref	Max flow rate (m/h)	Total consumption (W)	N° Lamps	Lamps power	In-Out connections	Flow direction
HA840	24	222	1	200	2" M	↑
HA840M	24	222	1	200	2" M	↑
HA840A	24	222	1	200	2" M	↔
HA842	60	444	2	200	DN80	↑
HA842M	60	444	2	200	DN80	↑
HA842A	60	444	2	200	DN80	↔
HA844	96	666	3	200	DN100	↑
HA844A	96	666	3	200	DN100	↔
HA846	125	888	4	200	DN150	↑
HA848	160	888	4	200	DN150	↑
HA848A	160	888	4	200	DN150	↔

Certificates	Manufacturer	Sectors
DM174-2004 WRAS CE, EAC	MWG	Industrial

Industrial U.V. Sterilizers in AISI 316L 200 W Series

REF.	REACTOR VOLUME (liters)	REACTOR WEIGHT (kg)
HA832	214	220

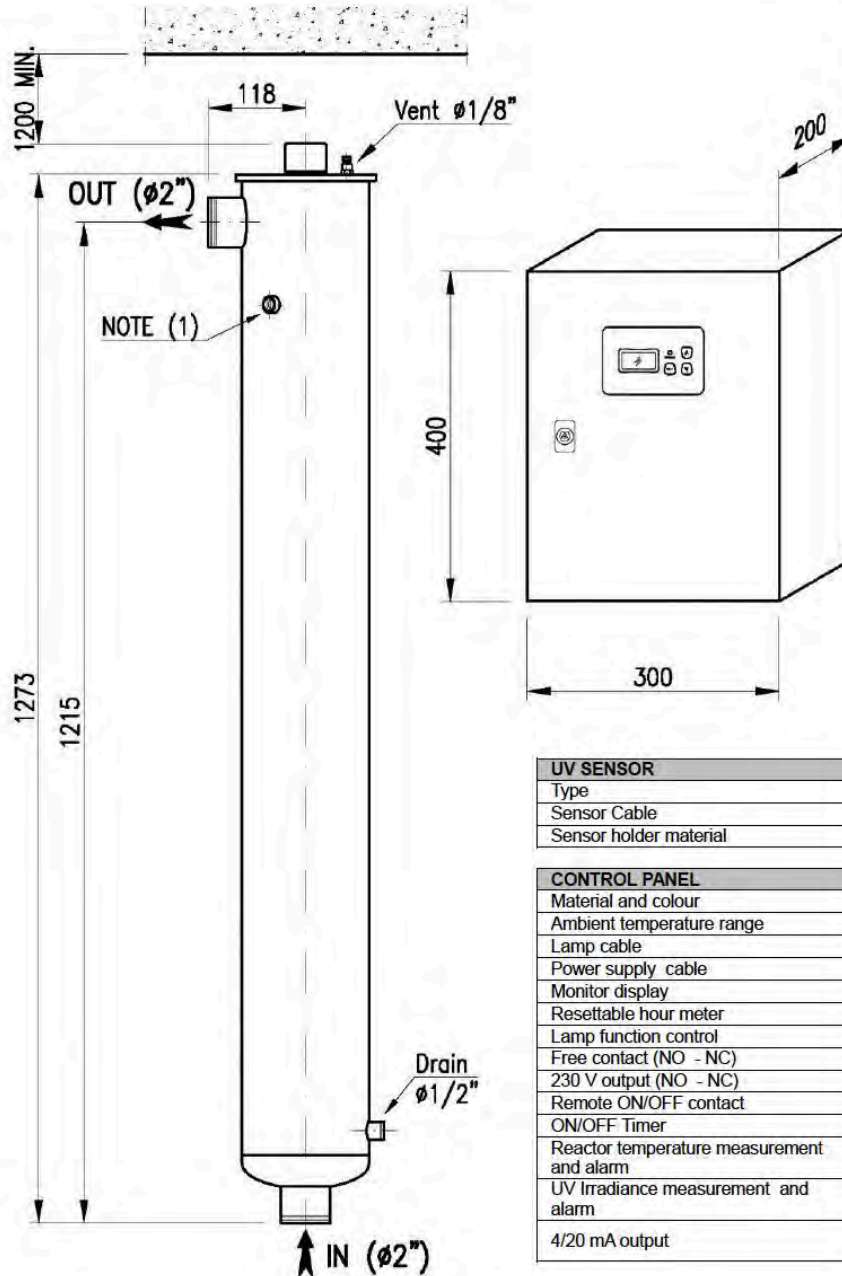


UV SENSOR	
Type	UVC selective sensor Mod. UV737TF
Sensor Cable	Shielded cable 4 meters
Sensor holder material	Teflon

CONTROL PANEL	TC
Material and colour	Painted Steel – RAL 7035
Protection class	IP 54
Lamp cable length	2,5 m
Monitor display	Touch-Screen (65000 colours)
Multi language display	Yes
Chamber temperature measurement	Yes (°C)
UV irradiance measurement	Yes (% or W/m ²)
Panel temperature measurement	Yes (°C)
Flow-meter connection	Yes (4-20 mA)
UVT reader connection	Yes (4-20 mA)
UV dose calculation	Optional (only with external flow meter)
Hour meters	For total system life – Resettable for lamp life control
Free contact alarms (N/O)	Yes (max 1.3 A)
General alarm	Yes (settable contact working)
System working signal	Yes
High temperature alarm	Yes for panel and reactor (shut off for high temperature)
24 V output	Yes
Low irradiance alarm	Yes (settable value)
Lamps off alarm	Yes
Lamps control on/off	Yes
4/20 mA output	Yes for irradiance and temperature
Remote ON/OFF	Yes (settable contact working)
ON/OFF timer	Yes
Datalog – Events	Yes
Lamp power regulation	Manual or Automatic (dose or flow pacing)
Communication ports (protocols)	CAN, Ethernet, USB, Seriale (Modbus, TCP/IP, CANopen)
Remote access	with specific App or WebGate

Industrial U.V. Sterilizers in AISI 316L 200 W Series

REF.	REACTOR VOLUME (liters)	REACTOR WEIGHT (kg)	IN-OUT
HA840	21,5	13	2" M
HA840M	21,5	13	2" M

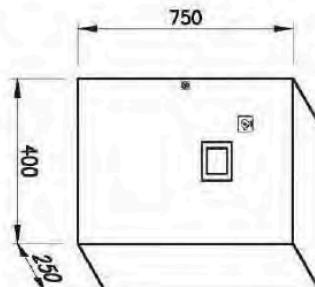
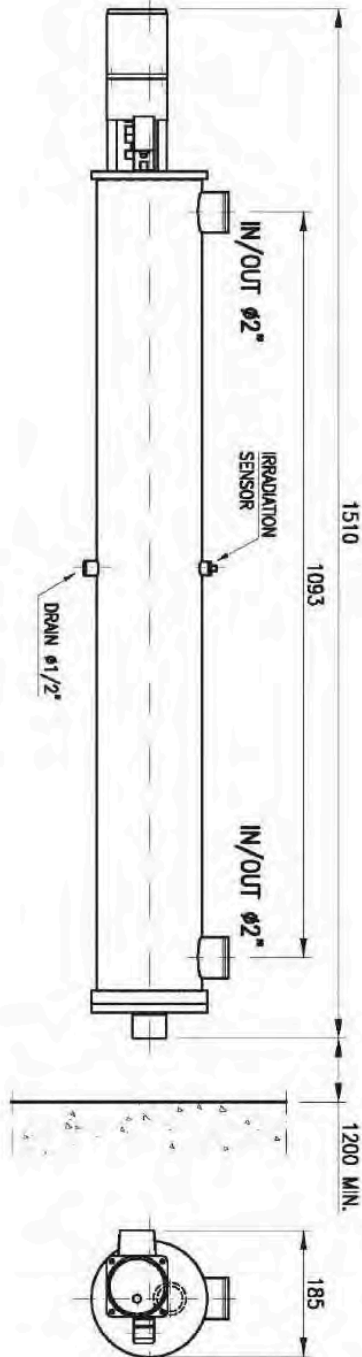


UV SENSOR	
Type	UVC selective sensor Mod. UV737
Sensor Cable	Shielded cable 4 meters
Sensor holder material	Stainless steel 316L

CONTROL PANEL	RACK LCD PLUS
Material and colour	Black Painted Steel – RAL 7035
Ambient temperature range	5 – 45 °C
Lamp cable	2,5 m
Power supply cable	1 m
Monitor display	LCD
Resettable hour meter	Yes for lamp life control
Lamp function control	Yes
Free contact (NO - NC)	Yes – general alarm (max 2 A)
230 V output (NO - NC)	Yes – general alarm (max 2 A)
Remote ON/OFF contact	Yes (settable)
ON/OFF Timer	Yes (settable)
Reactor temperature measurement and alarm	Yes (°C) – settable value (shut off for high temperature)
UV Irradiance measurement and alarm	Yes (% or W/m ² optional) – settable value
4/20 mA output	Optional – for Irradiance and water temperature

Industrial U.V. Sterilizers in AISI 316L 200 W Series

REF.	REACTOR VOLUME (liters)	REACTOR WEIGHT (kg)	IN-OUT
HA840A	21,5	13	2" M

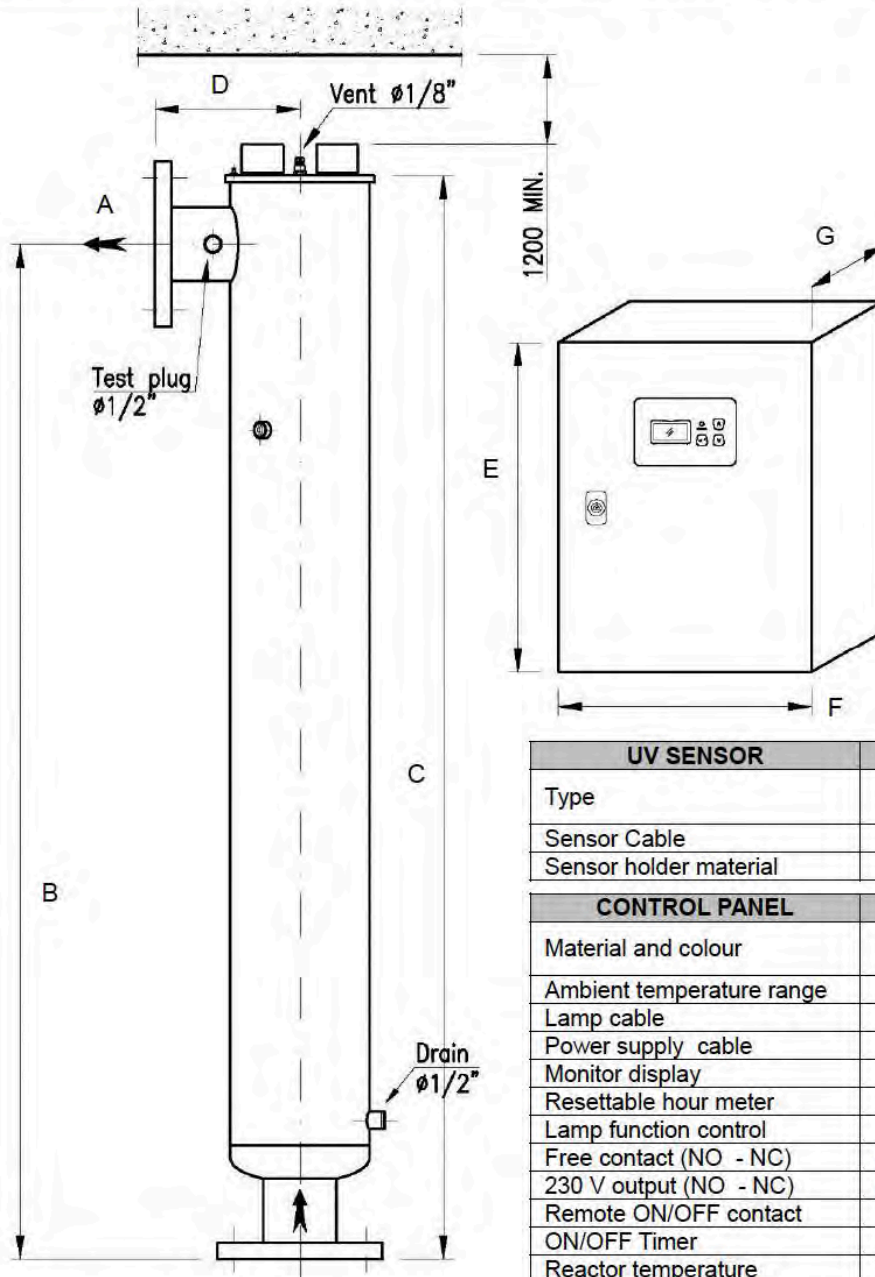


UV SENSOR	
Type	UVC selective sensor Mod. UV737
Sensor Cable	Shielded cable 4 meters
Sensor holder material	Stainless steel 316L

CONTROL PANEL	TC
Material and colour	Black Painted Steel – RAL 7035
Ambient temperature range	5 – 45 °C
Lamp cable	4 m
Monitor display	TOUCH SCREEN (65.000 colors)
Multilanguage display	IT-EN-FR-ES
Resettable hour meter	Yes for lamp life control
Lamp function control	Yes
Free contact (NO - NC)	Yes – general alarm (max 1,3 A)
Remote ON/OFF contact	Yes (settable)
ON/OFF Timer	Yes
Reactor temperature measurement and alarm	Yes (°C) (shut off for high temperature)
UV Irradiance measurement and alarm	Yes (% or W/m ²)
4/20 mA output	Yes for irradiance and water temperature

Industrial U.V. Sterilizers in AISI 316L 200 W Series

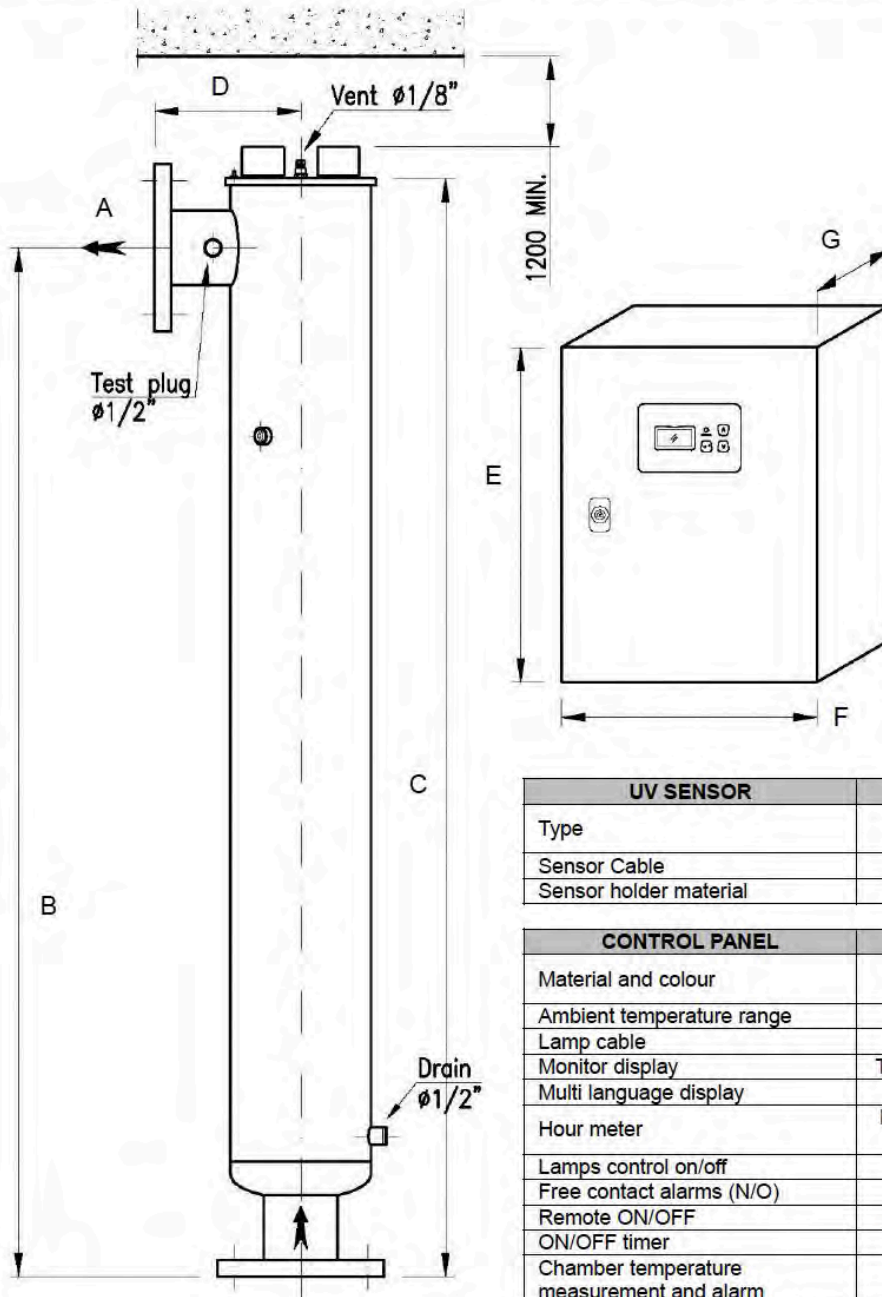
REF.	REACTOR VOLUME (liters)	REACTOR WEIGHT (kg)	A IN-OUT	B (mm)	C (mm)	D (mm)	E (mm)	F (mm)	G (mm)
HA842	39	25	DN80	1230	1313	175	400	300	200
HA842M	39	25	DN80	1230	1313	175	400	300	200



UV SENSOR	
Type	UVC selective sensor Mod. UV737
Sensor Cable	Shielded cable 4 meters
Sensor holder material	Stainless steel 316L
CONTROL PANEL	
Material and colour	Black Painted Steel (RAL 7035)
Ambient temperature range	5 – 45 °C
Lamp cable	2,5 m
Power supply cable	1 m
Monitor display	LCD
Resettable hour meter	Yes for lamp life control
Lamp function control	Yes
Free contact (NO - NC)	Yes – general alarm (max 2 A)
230 V output (NO - NC)	Yes – general alarm (max 2 A)
Remote ON/OFF contact	Yes (settable)
ON/OFF Timer	Yes (settable)
Reactor temperature measurement and alarm	Yes (°C) – settable value (shut off for high temperature)
UV Irradiance measurement and alarm	Yes (% or W/m ² optional) – settable value
4/20 mA output	Optional – for irradiance and water temperature

Industrial U.V. Sterilizers in AISI 316L 200 W Series

REF.	REACTOR VOLUME (liters)	REACTOR WEIGHT (kg)	A IN-OUT	B (mm)	C (mm)	D (mm)	E (mm)	F (mm)	G (mm)
HA844	50	31	DN100	1200	1321	210	500	400	250
HA846	47	37	DN150	1175	1321	210	750	400	250
HA848	70	48	DN150	1200	1346	235	750	400	250



UV SENSOR	
Type	UVC selective sensor Mod. UV737
Sensor Cable	Shielded cable 4 meters
Sensor holder material	Stainless steel 316L

CONTROL PANEL	TC
Material and colour	Black Painted Steel (RAL 7035)
Ambient temperature range	5 - 45 °C
Lamp cable	4 m
Monitor display	TOUCH SCREEN (65.000 colors)
Multi language display	IT-EN-FR-ES
Hour meter	For total system life - Resettable for lamp life control
Lamps control on/off	Yes
Free contact alarms (N/O)	Yes (max 1.3 A)
Remote ON/OFF	Yes (settable contact working)
ON/OFF timer	Yes
Chamber temperature measurement and alarm	Yes (°C) (shut off for high temperature)
UV irradiance measurement and alarm	Yes (% or W/m ²)
4/20 mA output	Yes for irradiance and temperature

Industrial Flanged Multilamp U.V. Sterilizers in AISI 316L 400 W Series

- Made in European Union (Italy);
- To be used for industrial water disinfection systems;
- Multi-lamp systems with single lamp 400 W;
- With reactor in AISI 316L, with sensor;
- Electric box with electronic circuit, connection cable, operating time meter and switch;
- Operating and failure led;
- Available on request with UL certificate (for USA and Canada);
- WRAS approved products (for UK);
- Conform with EAC certificate for Russia and near-by Countries;
- Conform with Polish Quality Certification for Poland;
- Conform with a Norwegian certification of National Veterinary Institute, which gives the leading rules applied world wide in the sector of the fish farm;
- With lamp quartz sheath;
- Max operating pressure 10 bar;
- Temperature: 5 ÷ 50°C;
- UVC transmittance 97% - 1cm, UVC dose 400 J/m² ;
- Power supply 230 V - 50/60 Hz and life span of lamp 16.000 hours;
- Reactor protection class IP65;
- Control panel protection class IP54;
- Possibility of connection with shut down solenoid valve;
- Alarm system;
- Horizontal mounting and flow both directions;
- Automatic cleaning systems.

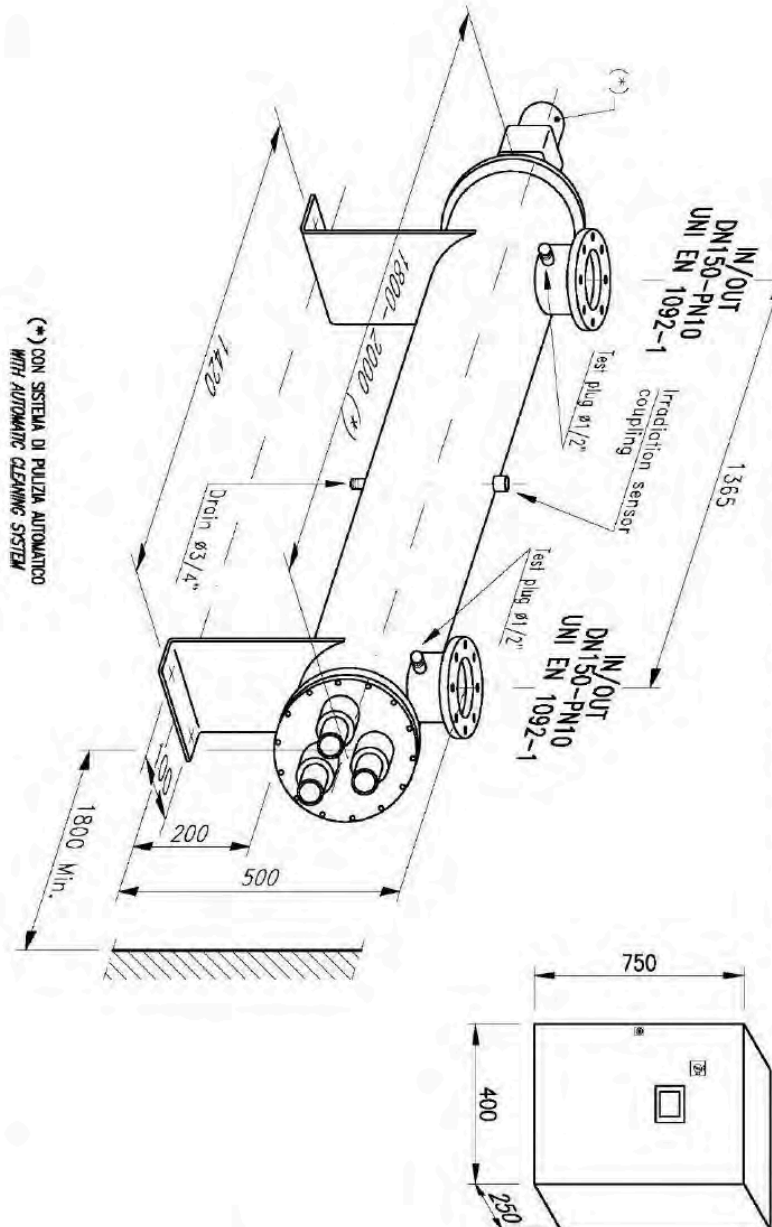
Ref	Description	Fam.	Subfam.	Disp. Stock	
HA860A	UV4 STERILIZER IN AISI 316L 150 M3/H SELF CLEANING WITH DOSING SENSOR	055	252		
HA862A	UV4 STERILIZER IN AISI 316L 250 M3/H SELF CLEANING WITH DOSING SENSOR	055	252		
HA864A	UV4 STERILIZER IN AISI 316L 300 M3/H SELF CLEANING WITH DOSING SENSOR	055	252		
HA866A	UV4 STERILIZER IN AISI 316L 420 M3/H SELF CLEANING WITH DOSING SENSOR	055	252		
HA868A	UV4 STERILIZER IN AISI 316L 600 M3/H SELF CLEANING WITH DOSING SENSOR	055	252		
HA870A	UV4 STERILIZER IN AISI 316L 830 M3/H SELF CLEANING WITH DOSING SENSOR	055	252		
HA872A	UV4 STERILIZER IN AISI 316L 980 M3/H SELF CLEANING WITH DOSING SENSOR	055	252		

Ref	Max flow rate (m/h)	Total consumption (W)	N* Lamps	Lamp power	In-Out Connections
HA860A	150	1.300	3	400	DN150
HA862A	250	1.760	4	400	DN200
HA864A	300	2.180	5	400	DN200
HA866A	420	2.650	6	400	DN250
HA868A	600	3.500	8	400	DN250
HA870A	830	4.400	10	400	DN300
HA872A	980	5.300	10	400	DN300

Certificates	Manufacturer	Sectors
DM174-2004 WRAS CE, EAC	MWG	Industrial

Industrial Flanged Multilamp U.V. Sterilizers in AISI 316L 400 W Series

REF.	REACTOR VOLUME (liters)	REACTOR WEIGHT (kg)	IN-OUT
HA860A	56	50	DN150

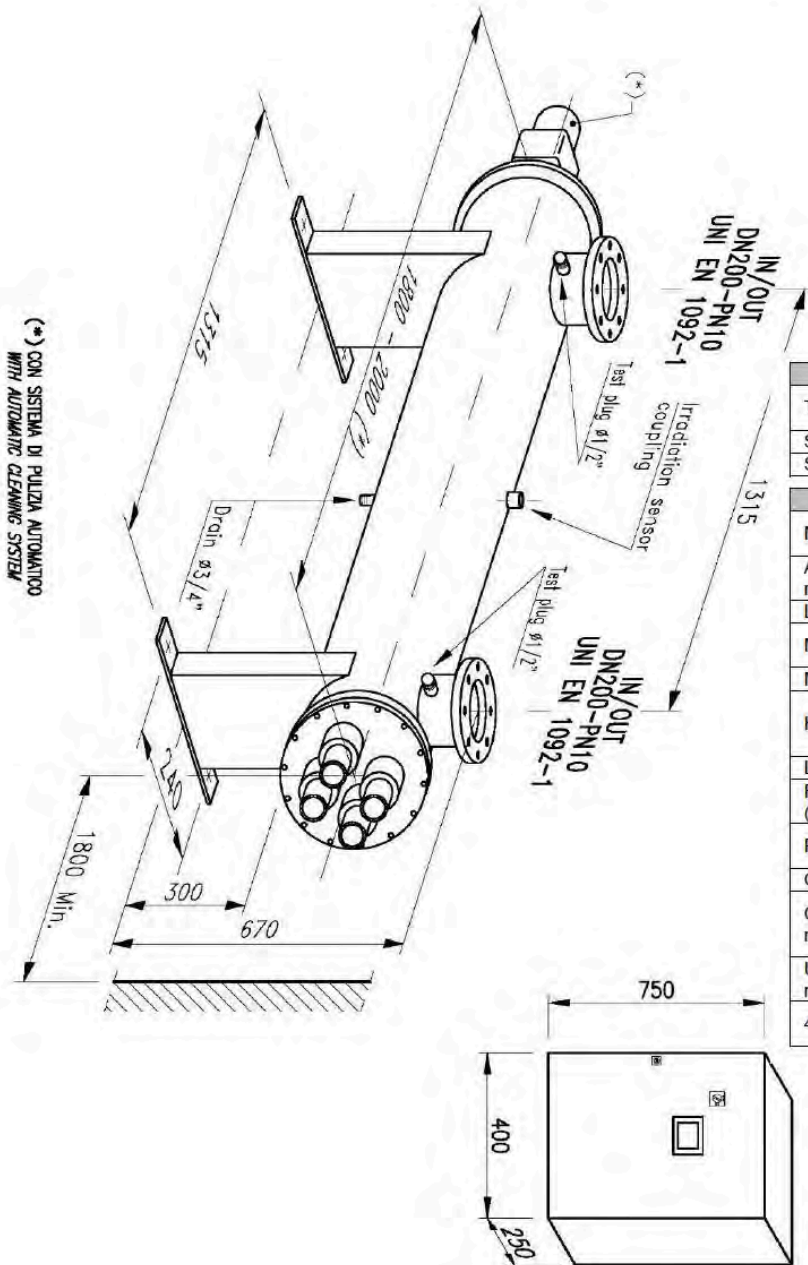


UV SENSOR	
Type	UVC selective sensor Mod. UV737
Sensor Cable	Shielded cable 4 meters
Sensor holder material	Stainless steel 316L

CONTROL PANEL	
Material and colour	Black Painted Steel (RAL 7035)
Ambient temperature range	5 – 45 °C
Lamp cable	4 m
Monitor display	TOUCH SCREEN (65.000 colors)
Multi language display	IT-EN-FR-ES
Hour meter	For total system life – Resetable for lamp life control
Lamps control on/off	Yes
Free contact alarms (N/O)	Yes (max 1,3 A)
Remote ON/OFF	Yes (settable contact working)
ON/OFF timer	Yes
Chamber temperature measurement and alarm	Yes (°C) (shut off for high temperature)
UV irradiance measurement and alarm	Yes (% or W/m ²)
4/20 mA output	Yes for irradiance and temperature

Industrial Flanged Multilamp U.V. Sterilizers in AISI 316L 400 W Series

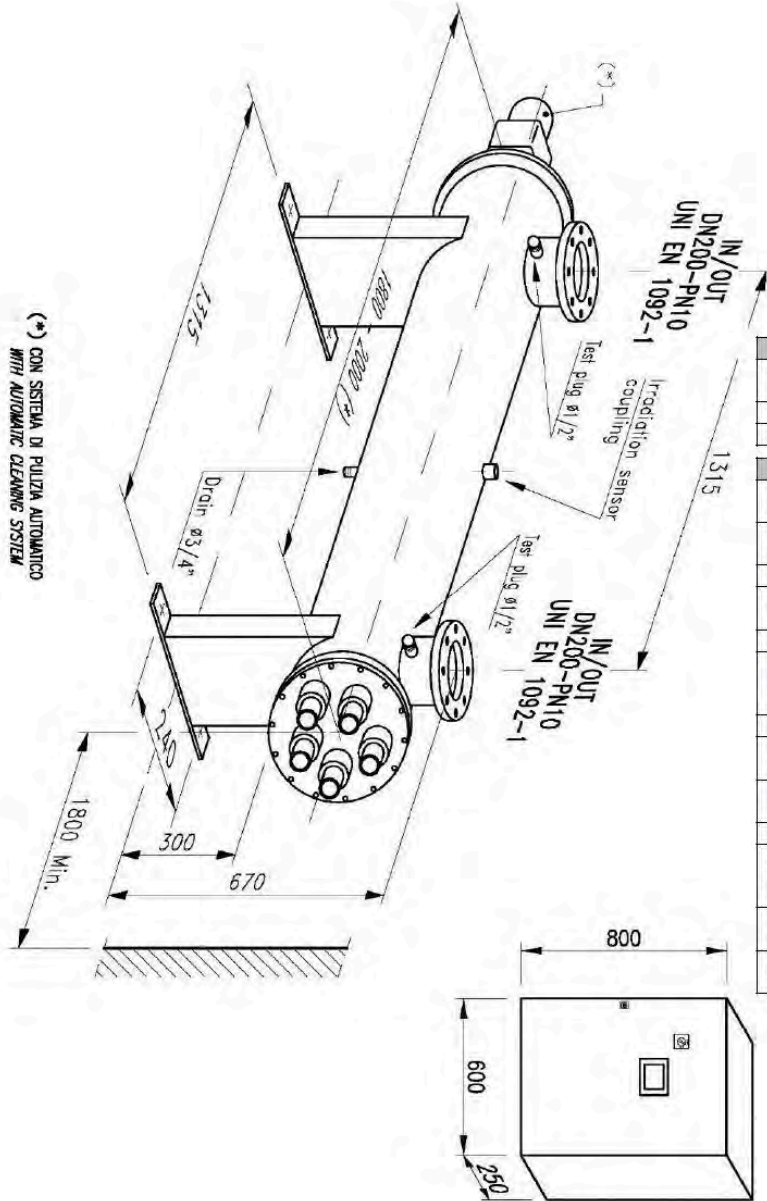
REF.	REACTOR VOLUME (liters)	REACTOR WEIGHT (kg)	IN-OUT
HA862A	82	80	DN200



UV SENSOR	
Type	UVC selective sensor Mod. UV737
Sensor Cable	Shielded cable 4 meters
Sensor holder material	Stainless steel 316L
CONTROL PANEL	TC
Material and colour	Black Painted Steel (RAL 7035)
Ambient temperature range	5 – 45 °C
Lamp cable	4 m
Monitor display	TOUCH SCREEN (65.000 colors)
Multi language display	IT-EN-FR-ES
Hour meter	For total system life – Resettable for lamp life control
Lamps control on/off	Yes
Free contact alarms (N/O)	Yes (max 1.3 A)
Remote ON/OFF	Yes (settable contact working)
ON/OFF timer	Yes
Chamber temperature measurement and alarm	Yes (°C) (shut off for high temperature)
UV irradiance measurement and alarm	Yes (% or W/m ²)
4/20 mA output	Yes for irradiance and temperature

Industrial Flanged Multilamp U.V. Sterilizers in AISI 316L 400 W Series

REF.	REACTOR VOLUME (liters)	REACTOR WEIGHT (kg)	IN-OUT
HA864A	87	100	DN200

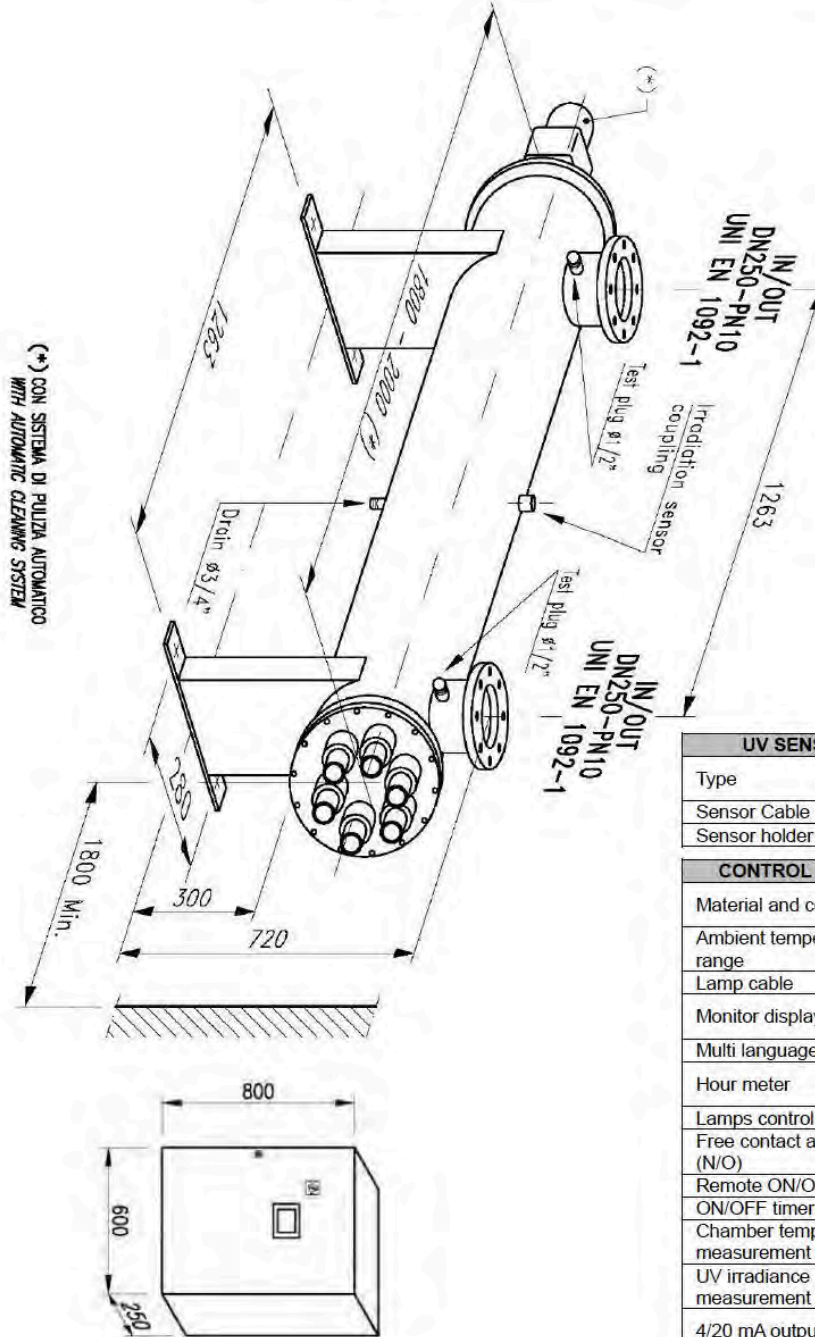


UV SENSOR	
Type	UVC selective sensor Mod. UV737
Sensor Cable	Shielded cable 4 meters
Sensor holder material	Stainless steel 316L

CONTROL PANEL	TC
Material and colour	Black Painted Steel (RAL 7035)
Ambient temperature range	5 - 45 °C
Lamp cable	4 m
Monitor display	TOUCH SCREEN (65.000 colors)
Multi language display	IT-EN-FR-ES
Hour meter	For total system life - Resettable for lamp life control
Lamps control on/off	Yes
Free contact alarms (N/O)	Yes (max 1.3 A)
Remote ON/OFF	Yes (settable contact working)
ON/OFF timer	Yes
Chamber temperature measurement and alarm	Yes (°C) (shut off for high temperature)
UV irradiance measurement and alarm	Yes (% or W/m ²)
4/20 mA output	Yes for irradiance and temperature

Industrial Flanged Multilamp U.V. Sterilizers in AISI 316L 400 W Series

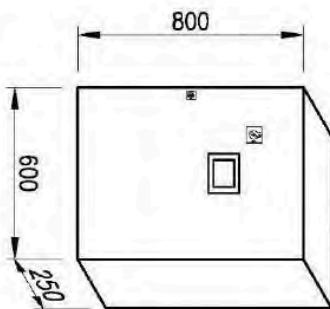
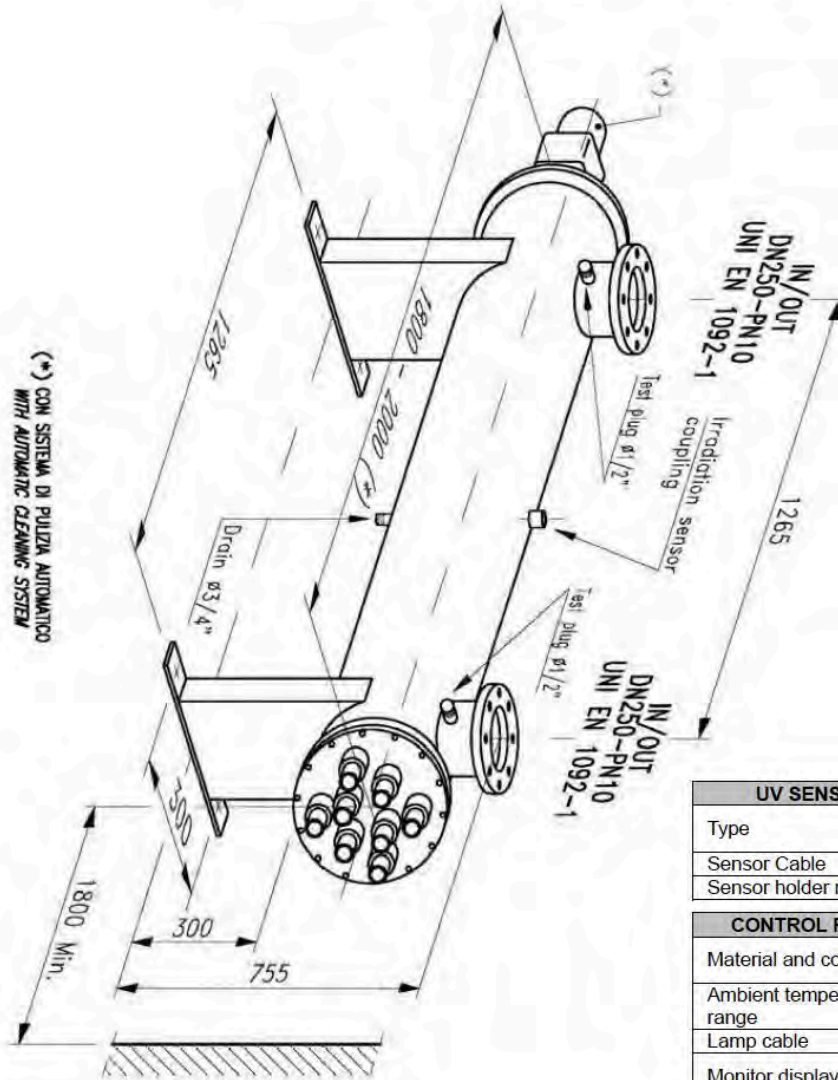
REF.	REACTOR VOLUME (liters)	REACTOR WEIGHT (kg)	IN-OUT
HA866A	126	110	DN250



UV SENSOR	
Type	UVC selective sensor Mod. UV737
Sensor Cable	Shielded cable 4 meters
Sensor holder material	Stainless steel 316L
CONTROL PANEL	
Material and colour	Black Painted Steel (RAL 7035)
Ambient temperature range	5 – 45 °C
Lamp cable	4 m
Monitor display	TOUCH SCREEN (65.000 colors)
Multi language display	IT-EN-FR-ES
Hour meter	For total system life – Resetable for lamp life control
Lamps control on/off	Yes
Free contact alarms (N/O)	Yes (max 1.3 A)
Remote ON/OFF	Yes (settable contact working)
ON/OFF timer	Yes
Chamber temperature measurement and alarm	Yes (°C) (shut off for high temperature)
UV irradiance measurement and alarm	Yes (% or W/m ²)
4/20 mA output	Yes for irradiance and temperature

Industrial Flanged Multilamp U.V. Sterilizers in AISI 316L 400 W Series

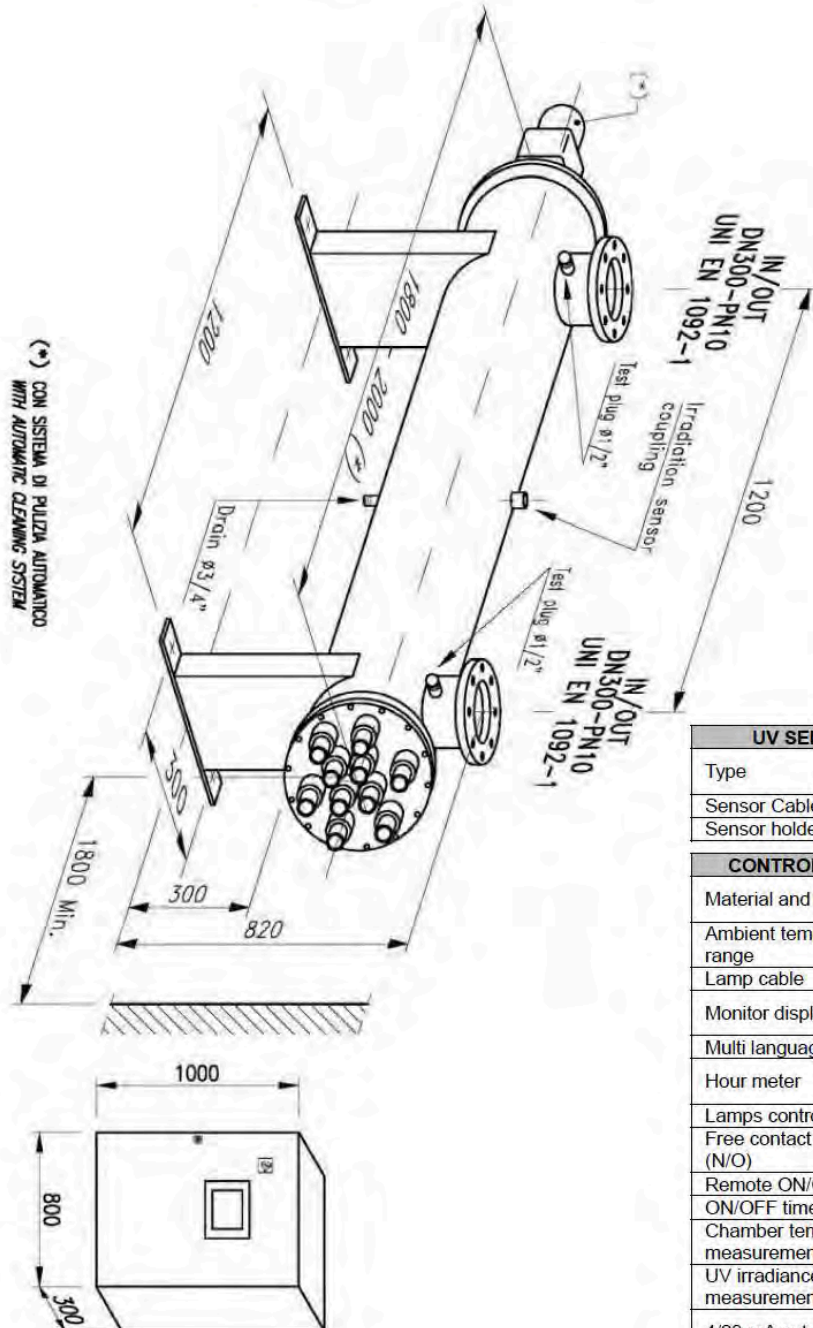
REF.	REACTOR VOLUME (liters)	REACTOR WEIGHT (kg)	IN-OUT
HA868A	150	125	DN250



UV SENSOR	
Type	UVC selective sensor Mod. UV737
Sensor Cable	Shielded cable 4 meters
Sensor holder material	Stainless steel 316L
CONTROL PANEL	
TC	
Material and colour	Black Painted Steel (RAL 7035)
Ambient temperature range	5 – 45 °C
Lamp cable	4 m
Monitor display	TOUCH SCREEN (65.000 colors)
Multi language display	IT-EN-FR-ES
Hour meter	For total system life – Resettable for lamp life control
Lamps control on/off	Yes
Free contact alarms (N/O)	Yes (max 1.3 A)
Remote ON/OFF	Yes (settable contact working)
ON/OFF timer	Yes
Chamber temperature measurement and alarm	Yes (°C) (shut off for high temperature)
UV irradiance measurement and alarm	Yes (% or W/m ²)
4/20 mA output	Yes for irradiance and temperature

Industrial Flanged Multilamp U.V. Sterilizers in AISI 316L 400 W Series

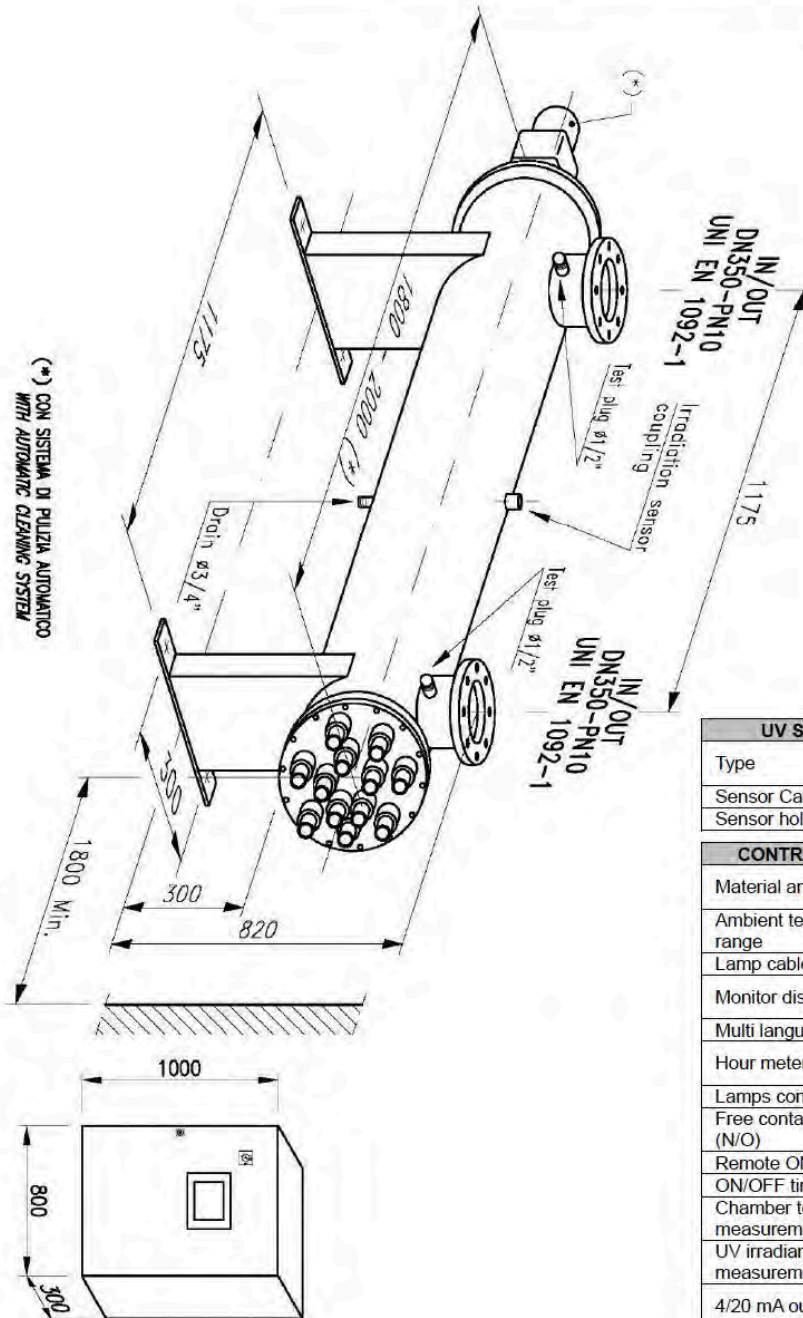
REF.	REACTOR VOLUME (liters)	REACTOR WEIGHT (kg)	IN-OUT
HA870A	197	175	DN300



UV SENSOR	
Type	UVC selective sensor Mod. UV737
Sensor Cable	Shielded cable 4 meters
Sensor holder material	Stainless steel 316L
CONTROL PANEL	
Material and colour	Black Painted Steel (RAL 7035)
Ambient temperature range	5 - 45 °C
Lamp cable	4 m
Monitor display	TOUCH SCREEN (65.000 colors)
Multi language display	IT-EN-FR-ES
Hour meter	For total system life - Resettable for lamp life control
Lamps control on/off	Yes
Free contact alarms (N/O)	Yes (max 1.3 A)
Remote ON/OFF	Yes (settable contact working)
ON/OFF timer	Yes
Chamber temperature measurement and alarm	Yes (°C) (shut off for high temperature)
UV irradiance measurement and alarm	Yes (% or W/m ²)
4/20 mA output	Yes for irradiance and temperature

Industrial Flanged Multilamp U.V. Sterilizers in AISI 316L 400 W Series

REF.	REACTOR VOLUME (liters)	REACTOR WEIGHT (kg)	IN-OUT
HA872A	197	200	DN350

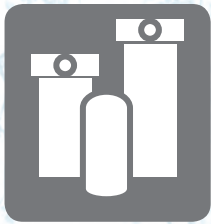


UV SENSOR	
Type	UVC selective sensor Mod. UV737
Sensor Cable	Shielded cable 4 meters
Sensor holder material	Stainless steel 316L

CONTROL PANEL	TC
Material and colour	Black Painted Steel (RAL 7035)
Ambient temperature range	5 - 45 °C
Lamp cable	4 m
Monitor display	TOUCH SCREEN (65.000 colors)
Multi language display	IT-EN-FR-ES
Hour meter	For total system life - Resettable for lamp life control
Lamps control on/off	Yes
Free contact alarms (N/O)	Yes (max 1.3 A)
Remote ON/OFF	Yes (settable contact working)
ON/OFF timer	Yes
Chamber temperature measurement and alarm	Yes (°C) (shut off for high temperature)
UV irradiance measurement and alarm	Yes (% or W/m ²)
4/20 mA output	Yes for irradiance and temperature

EUROTROL®

WATER TREATMENT COMPONENTS



Filter housings,
cartridges
and polyphosphate
feeders

INDEX



PP String Wound Filtering Cartridges

- string wound filtering cartridges with core;
- string and core in polypropylene;
- double/triple retention capacity than a compact structure cartridge;
- dimensions external diameter 60 mm, internal diameter 28 mm;
- nominal length 10" or 20";
- suggested filtering flow rate for 10" length: 18÷24 lpm;
- max filtering flow rate for 20" length : 30 lpm;
- max ΔP recommended 1 bar;
- max operating temperature = 60°C.

Ref	Description	Fam.	Subfam.	Disp. Stock	
FC100	STRING WOUND CARTRIDGE DLSW-10-01 (9-7/8")	040	100	•	
FC101	STRING WOUND CARTRIDGE DLSW-10-05 (9-7/8")	040	100	•	
FC102	STRING WOUND CARTRIDGE DLSW-10-10 (9-7/8")	040	100	•	
FC103	STRING WOUND CARTRIDGE DLSW-10-20 (9-7/8")	040	100	•	
FC104	STRING WOUND CARTRIDGE DLSW-10-50 (9-7/8")	040	100	•	
FC105	STRING WOUND CARTRIDGE DLSW-10-100 (9-7/8")	040	100	•	
FC110	STRING WOUND CARTRIDGE DLSW-20-01	040	100	•	
FC111	STRING WOUND CARTRIDGE DLSW-20-05	040	100	•	
FC112	STRING WOUND CARTRIDGE DLSW-20-10	040	100	•	
FC113	STRING WOUND CARTRIDGE DLSW-20-20	040	100	•	
FC114	STRING WOUND CARTRIDGE DLSW-20-50	040	100	•	
FC115	STRING WOUND CARTRIDGE DLSW-20-100	040	100	•	

Ref	Lenght Nominal (inch)	Lenght (mm)	(micron)
FC100	10"	251	1
FC101	10"	251	5
FC102	10"	251	10
FC103	10"	251	20
FC104	10"	251	50
FC105	10"	251	100
FC110	20"	505	1
FC111	20"	505	5
FC112	20"	505	10
FC113	20"	505	20
FC114	20"	505	50
FC115	20"	505	100

Certificates	Manufacturer	Sectors
		Domestic, Commercial, Industrial





Melt Blown Filtering Cartridges

- Thermowelded polypropylene fibers cartridges with no lubricants or antistatic additives;
- Any migration into the filtered water;
- Wide chemical compatibility;
- High retention capacity & filtration efficiency multilayer structure;
- Filtration efficiency 96 % minimum;
- High retention capacity extends cartridge life;
- External diameter 63 mm, internal 28 mm;
- Nominal length: 10" - 20" - 30" - 40";
- Suggested filtration flow rate for 10" length: 15 ÷ 20 lpm;
- Max filtration flow rate for 40" length: 60 lpm;
- Max ΔP recommended 1,4 bar;
- Max operating temperature = 80°C.



Ref	Description	Fam.	Subfam.	Disp. Stock	
FC050	MELT BLOWN CARTRIDGE DLPP-01-10 (9.7/8")	040	100	•	
FC051	MELT BLOWN CARTRIDGE DLPP-05-10 (9.7/8")	040	100	•	
FC052	MELT BLOWN CARTRIDGE DLPP-10-10 (9.7/8")	040	100	•	
FC053	MELT BLOWN CARTRIDGE DLPP-20-10 (9.7/8")	040	100	•	
FC054	MELT BLOWN CARTRIDGE DLPP-30-10 (9.7/8")	040	100	•	
FC055	MELT BLOWN CARTRIDGE DLPP-50-10 (9.7/8")	040	100	•	
FC060	MELT BLOWN CARTRIDGE DLPP-01-20	040	100	•	
FC061	MELT BLOWN CARTRIDGE DLPP-05-20	040	100	•	
FC062	MELT BLOWN CARTRIDGE DLPP-10-20	040	100	•	
FC063	MELT BLOWN CARTRIDGE DLPP-20-20	040	100	•	
FC064	MELT BLOWN CARTRIDGE DLPP-30-20	040	100	•	
FC065	MELT BLOWN CARTRIDGE DLPP-50-20	040	100	•	
FC070	MELT BLOWN CARTRIDGE DLPP-01-30	040	100	•	
FC071	MELT BLOWN CARTRIDGE DLPP-05-30	040	100	•	
FC072	MELT BLOWN CARTRIDGE DLPP-10-30	040	100	•	
FC073	MELT BLOWN CARTRIDGE DLPP-20-30	040	100	•	
FC074	MELT BLOWN CARTRIDGE DLPP-30-30	040	100	•	
FC075	MELT BLOWN CARTRIDGE DLPP-50-30	040	100	•	
FC080	MELT BLOWN CARTRIDGE DLPP-01-40	040	100	•	
FC081	MELT BLOWN CARTRIDGE DLPP-05-40	040	100	•	
FC082	MELT BLOWN CARTRIDGE DLPP-10-40	040	100	•	
FC083	MELT BLOWN CARTRIDGE DLPP-20-40	040	100	•	
FC084	MELT BLOWN CARTRIDGE DLPP-30-40	040	100	•	
FC085	MELT BLOWN CARTRIDGE DLPP-50-40	040	100	•	



Melt Blown Filtering Cartridges

Ref	Nominal Lenght (inch)	Lenght (mm)	Micron
FC050	10"	251	1
FC051	10"	251	5
FC052	10"	251	10
FC053	10"	251	20
FC054	10"	251	30
FC055	10"	251	50
FC060	20"	505	1
FC061	20"	505	5
FC062	20"	505	10
FC063	20"	505	20
FC064	20"	505	30
FC065	20"	505	50
FC070	30"	764	1
FC071	30"	764	5
FC072	30"	764	10
FC073	30"	764	20
FC074	30"	764	30
FC075	30"	764	50
FC080	40"	1018	1
FC081	40"	1018	5
FC082	40"	1018	10
FC083	40"	1018	20
FC084	40"	1018	30
FC085	40"	1018	50

Box: WxLxH	Box: Q.ty	Box: Weight	Pallet: WxLxH	Pallet: Q.ty	Pallet: Weight

Certificates	Manufacturer	Sectors
DM174-2004		Domestic, Commercial, Industrial



PP Big Sediment Filter Cartridges

- melt-blown polypropylene fibers;
- dimensions 114 mm external diameter;
- dimensions 28 mm internal diameter.



Ref	Description	Fam.	Subfam.	Disp. Stock	
FA038	MELT BLOWN CARTRIDGE BIG DLPPBB-01-10 (9.7/8")	040	105	•	
FA034	MELT BLOWN CARTRIDGE BIG DLPPBB-05-10 (9.7/8")	040	105	•	
FA035	MELT BLOWN CARTRIDGE BIG DLPPBB-20-10 (9.7/8")	040	105	•	
FA036	MELT BLOWN CARTRIDGE BIG DLPPBB-50-10 (9.7/8")	040	105	•	
FA039	MELT BLOWN CARTRIDGE BIG DLPPBB-01-20	040	105	•	
FA028	MELT BLOWN CARTRIDGE BIG DLPPBB-05-20	040	105	•	
FA029	MELT BLOWN CARTRIDGE BIG DLPPBB-20-20	040	105	•	
FA037	MELT BLOWN CARTRIDGE BIG DLPPBB-50-20	040	105	•	

Ref	Nominal Length (inch)	Length (mm)	Micron
FA038	10"	251	1
FA034	10"	251	5
FA035	10"	251	20
FA036	10"	251	50
FA039	20"	508	1
FA028	20"	508	5
FA029	20"	508	20
FA037	20"	508	50

Box: WxLxH	Box: Q.ty	Box: Weight	Pallet: WxLxH	Pallet: Q.ty	Pallet: Weight

Certificates	Manufacturer	Sectors
DM174-2004		Domestic, Commercial, Industrial



Purtrex Filtering Cartridges



- in melt-blown polypropylene fibers;
- any microfibers migration in filtered water;
- graduated density from external to internal side improves filter efficiency;
- high retention capacity extends cartridge life;
- external diameter 63 mm, internal 28 mm;
- nominal length 10" - 20" - 30" - 40".
- suggested filtration flow rate for 10" length: 15 ÷ 20 lpm;
- max filtration flow rate for 40" length: 60 lpm;
- max operating temperature = 80°C.

Ref	Description	Fam.	Subfam.	Disp. Stock	
FC010	PURTREX CARTRIDGE PX01-9.7/8"	040	100	•	
FC011	PURTREX CARTRIDGE PX03-9.7/8"	040	100	•	
FC012	PURTREX CARTRIDGE PX05-9.7/8"	040	100	•	
FC013	PURTREX CARTRIDGE PX10-9.7/8"	040	100	•	
FC014	PURTREX CARTRIDGE PX20-9.7/8"	040	100	•	
FC015	PURTREX CARTRIDGE PX30-9.7/8"	040	100	•	
FC016	PURTREX CARTRIDGE PX50-9.7/8"	040	100	•	
FC017	PURTREX CARTRIDGE PX75-9.7/8"	040	100	•	
FC020	PURTREX CARTRIDGE PX01-20"	040	100	•	
FC021	PURTREX CARTRIDGE PX03-20"	040	100	•	
FC022	PURTREX CARTRIDGE PX05-20"	040	100	•	
FC023	PURTREX CARTRIDGE PX10-20"	040	100	•	
FC024	PURTREX CARTRIDGE PX20-20"	040	100	•	
FC025	PURTREX CARTRIDGE PX30-20"	040	100	•	
FC026	PURTREX CARTRIDGE PX50-20"	040	100	•	
FC030	PURTREX CARTRIDGE PX01-30"	040	100	•	
FC031	PURTREX CARTRIDGE PX03-30"	040	100	•	
FC032	PURTREX CARTRIDGE PX05-30"	040	100	•	
FC033	PURTREX CARTRIDGE PX10-30"	040	100	•	
FC034	PURTREX CARTRIDGE PX20-30"	040	100	•	
FC035	PURTREX CARTRIDGE PX30-30"	040	100	•	
FC036	PURTREX CARTRIDGE PX50-30"	040	100	•	
FC040	PURTREX CARTRIDGE PX01-40"	040	100	•	
FC041	PURTREX CARTRIDGE PX03-40"	040	100	•	
FC042	PURTREX CARTRIDGE PX05-40"	040	100	•	
FC043	PURTREX CARTRIDGE PX10-40"	040	100	•	
FC044	PURTREX CARTRIDGE PX20-40"	040	100	•	
FC045	PURTREX CARTRIDGE PX30-40"	040	100	•	
FC046	PURTREX CARTRIDGE PX50-40"	040	100	•	



Purtrex Filtering Cartridges

Ref	Nominal Lenght (inch)	Lenght (mm)	Micron
FC010	10"	251	1
FC011	10"	251	3
FC012	10"	251	5
FC013	10"	251	10
FC014	10"	251	20
FC015	10"	251	30
FC016	10"	251	50
FC017	10"	251	75
FC020	20"	508	1
FC021	20"	508	3
FC022	20"	508	5
FC023	20"	508	10
FC024	20"	508	20
FC025	20"	508	30
FC026	20"	508	50
FC030	30"	764	1
FC031	30"	764	3
FC032	30"	764	5
FC033	30"	764	531
FC034	30"	764	10
FC035	30"	764	20
FC036	30"	764	50
FC040	40"	1018	1
FC041	40"	1018	3
FC042	40"	1018	5
FC043	40"	1018	10
FC044	40"	1018	20
FC045	40"	1018	30
FC046	40"	1018	50

Box: WxLxH	Box: Q.ty	Box: Weight	Pallet: WxLxH	Pallet: Q.ty	Pallet: Weight

Certificates	Manufacturer	Sectors
FDA21 NSF42		Domestic, Commercial, Industrial



Activated Carbon Filtering Cartridges

Carbon Block End Cap 70

- Extruded activated carbon of Bituminous origin;
- Recommended for pre-filtration applications and for Chlorine removal;
- Dimensioni: external diameter = 64 mm (2 1/2"); internal diameter = 26 mm (1"); end-cap diameter = 70 mm.



Ref	Description	Fam.	Subfam.	Disp. Stock	
FA012	CARBON BLOCK CARTRIDGE CBC 5" CTO 1 MICRON	040	105	•	
FA013	CARBON BLOCK CARTRIDGE EB-CB -9"7/8 CTO 10 MICRONS	040	105	•	
FA014	CARBON BLOCK CARTRIDGE CBC 20" CTO 10 MICRON	040	105	•	

Ref	Nominal Length (inch)	Length (mm)	Microns	Suggested Flow Rate (l/h)	CAP
FA012	5"	124	1	120	White
FA013	10"	249	10	240	White
FA014	20"	508	10	480	White

Box: WxLxH	Box: Q.ty	Box: Weight	Pallet: WxLxH	Pallet: Q.ty	Pallet: Weight

Certificates	Manufacturer	Sectors
DM174-2004		Domestic, Commercial, Industrial

Carbon Block End Cap 65

- Extruded activated carbon of Bituminous origin;
- Recommended for pre-filtration applications and for Chlorine removal;
- Dimensions: external diameter = 62 mm; internal diameter = 30 mm; end-cap diameter = 65 mm.



Ref	Description	Fam.	Subfam.	Disp. Stock	
FA018	CARBON BLOCK CARTRIDGE 10" CTO 10 MICRON END CAP 65	040	105	•	
FA019	CARBON BLOCK CARTRIDGE 20" CTO 10 MICRON END CAP 65	040	105	•	

Ref	Nominal Length (inch)	Length (mm)	Micron	Suggested Flow Rate (l/h)	CAP
FA018	10"	249	10	240	White
FA019	20"	508	10	480	White

Box: WxLxH	Box: Q.ty	Box: Weight	Pallet: WxLxH	Pallet: Q.ty	Pallet: Weight

Certificates	Manufacturer	Sectors
DM174-2004		Domestic, Commercial, Industrial



Activated Carbon Filtering Cartridges

Big Carbon Block

- Bituminous carbon block.
- Suitable for pre-filtration applications and for Chlorine removal.
- Dimensions: external diameter = 108 mm (4 1/4"); internal diameter = 25 mm (1); end-cap diameter = 113 mm.

Ref	Description	Fam.	Subfam.	Disp. Stock	
FA016	CARBON BLOCK CARTRIDGE CBC 10" BIG CTO 5 MICRON	040	105	•	
FA015	CARBON BLOCK CARTRIDGE CBC 20" BIG CTO 5 MICRON	040	105	•	

Ref	Nominal Length (inch)	Length (mm)	Micron	Suggested Flow Rate(l/h)
FA016	10"	254	5	800
FA015	20"	254	5	1600

Box: WxLxH	Box: Q.ty	Box: Weight	Pallet: WxLxH	Pallet: Q.ty	Pallet: Weight

Certificates	Manufacturer	Sectors
DM174-2004		Domestic, Commercial, Industrial

Wound PP & activated carbon

- wound polypropylene cartridge with granular activated carbon inside; 10 micron;
- external diameter 64 mm, internal 27 mm;
- nominal length 10";
- length 251 mm.
- medium flow = 800 l/h

Ref	Description	Fam.	Subfam.	Disp. Stock	
FA058	STRING WOUND ACTIVATED CARBON CARTRIDGE LUNGH. 10"	040	105	•	

Box: WxLxH	Box: Q.ty	Box: Weight	Pallet: WxLxH	Pallet: Q.ty	Pallet: Weight

Certificates	Manufacturer	Sectors
		Domestic, Commercial, Industrial

Granular activated carbon

- PE container cartridge empty or with granular activated carbon;
- external diameter 72 mm;
- nominal length 10";
- length 256 mm.

Ref	Description	Fam.	Subfam.	Disp. Stock	
FA007	GAC CARTRIDGE 10N 9" 7/8 VEGETAL	040	105	•	
FA008	EMPTY CARTRIDGE 10N 9" 7/8	040	105	•	

Box: WxLxH	Box: Q.ty	Box: Weight	Pallet: WxLxH	Pallet: Q.ty	Pallet: Weight

Certificates	Manufacturer	Sectors
		Domestic, Commercial, Industrial





AISI 304 Cartridges for OTC Housings

AISI 304 Cartridges for OTC 12 Housings

- washable;
- to install with washable cartridge filters OTC 12 on catalogue.



Ref	Description	Fam.	Subfam.	Disp. Stock	
FB221	WASHABLE SLEEVE NYLON 60 / 12	040	112	•	

Ref	Description	Filtration Degree (micron)
FB221	WASHABLE SLEEVE NYLON 60 / 12	60

Box: WxLxH	Box: Q.ty	Box: Weight	Pallet: WxLxH	Pallet: Q.ty	Pallet: Weight

Certificates	Manufacturer	Sectors
		Domestic, Commercial

AISI 304 Cartridges for OTC 34 - 1 - 114 Housings

- washable;
- to install with:
- - washable cartridge filters OTC 34 - 1 - 114 on catalogue;
- - 10" hot water filters, except for nylon filtering cartridge REF. FB224.



Ref	Description	Fam.	Subfam.	Disp. Stock	
FB224	COMPLETE CARTRIDGE NYLON 60/34-1-114	040	112	•	
FB225	INOX CARTRIDGE 25/34-1-114	040	112	•	
FB228	INOX CARTRIDGE 60 / 34-1-114	040	112	•	
FB231	INOX CARTRIDGE 100/ 34 - 1 - 114	040	112	•	
FB234	INOX CARTRIDGE 200/ 34 - 1 - 114	040	112	•	
FB237	INOX CARTRIDGE 300/34 - 1 - 114	040	112	•	

Ref	Filtration Degree (micron)	Material
FB224	60	NYLON
FB225	25	AISI 304
FB228	60	AISI 304
FB231	100	AISI 304
FB234	200	AISI 304
FB237	300	AISI 304

Box: WxLxH	Box: Q.ty	Box: Weight	Pallet: WxLxH	Pallet: Q.ty	Pallet: Weight

Certificates	Manufacturer	Sectors
		Domestic, Commercial



AISI 304 Cartridges for OTC 112 - 2 Housings

- washable;
- to install with washable cartridge filters OTC 112 - 2 on catalogue.

Ref	Description	Fam.	Subfam.	Disp. Stock	
FB226	INOX CARTRIDGE 25/112-2	040	112	•	
FB229	INOX CARTRIDGE 60 / 112-2	040	112	•	
FB232	INOX CARTRIDGE 100/ 112 - 2	040	112	•	
FB235	INOX CARTRIDGE 200/112 - 2	040	112	•	
FB238	INOX CARTRIDGE 300/112 - 2	040	112	•	

Ref	Filtration Degree (micron)	Material
FB226	25	AISI 304
FB229	60	AISI 304
FB232	100	AISI 304
FB235	200	AISI 304
FB238	300	AISI 304

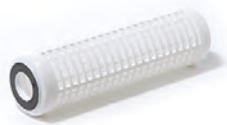
Box: WxLxH	Box: Q.ty	Box: Weight	Pallet: WxLxH	Pallet: Q.ty	Pallet: Weight

Certificates	Manufacturer	Sectors
		Domestic, Commercial

Filtering Cartridges

DOE Polyester Filtering Cartridges for MT, MD & OTS Housings

- In compliance with ACS (France), DM 174/2004 and DM25/2012 (Italy);
- Washable, with filtration degree 50 micron;
- External diameter 70 mm, internal 30 mm;
- Max operating temperature 45°C.



Ref	Description	Fam.	Subfam.	Disp. Stock	
FARP1050	10" CARTRIDGE POLYESTER WASHABLE NET 50 MNICRON	040	105	•	
FARP2050	20" CARTRIDGE POLYESTER WASHABLE NET 50 MNICRON	040	105	•	

Ref	Nominal Length (pollici)	Length (mm)
FARP1050	10"	250
FARP2050	20"	505

Box: WxLxH	Box: Q.ty	Box: Weight	Pallet: WxLxH	Pallet: Q.ty	Pallet: Weight

Certificates	Manufacturer	Sectors
DM174-2004 ACS	MWG	Domestic



DOE Nylon Filtering Cartridges for OTS Housings

- Washable, with filtration degree 60 micron;
- External diameter 62 mm, internal 27 mm.

Ref	Description	Fam.	Subfam.	Disp. Stock	
FA067	WASHABLE CARTRIDGE NYLON NL 60-9	040	105	•	
FA068	WASHABLE NYLON CARTRIDGE NL 60-20	040	105	•	

Ref	Nominal Length (pollici)	Length (mm)
FA067	10"	248
FA068	20"	505

Box: WxLxH	Box: Q.ty	Box: Weight	Pallet: WxLxH	Pallet: Q.ty	Pallet: Weight

Certificates	Manufacturer	Sectors
		Domestic, Commercial, Industrial



OR222 Nylon Filtering Cartridges for OTS Housings

- Washable, with filtration degree 60 micron;
- To fit into OTS brass head housings 1 ¼" - 1 ½" - 2" models; External diameter 61 mm;
- With 222 O-rings;
- Max ΔP recommended 1,4 bar.

Ref	Description	Fam.	Subfam.	Disp. Stock	
FB067	WASHABLE NYLON CARTRIDGE 60 MICRON OTS 10" - OR222	040	105	•	
FB068	WASHABLE CARTRIDGE NYLON 60 MICRON OTS 20" - OR222	040	105	•	

Ref	Nominal Length (inch)	Length (mm)	Flow Δp=0,2 bar (l/h)
FB067	10"	250	1800
FB068	20"	505	3600

Box: WxLxH	Box: Q.ty	Box: Weight	Pallet: WxLxH	Pallet: Q.ty	Pallet: Weight

Certificates	Manufacturer	Sectors
DM174-2004 ACS		Domestic, Commercial



Filtering Cartridges

FAAP1050

FAAL1070



AISI 316 Filtering Cartridges for Hot Water Filter Housings

- Washable and suitable for Hot Water Filter Housings on catalog;
- Dimensions external diameter 70 mm, internal 30 mm;
- Length 250 mm and nominal length 10";
- max operating temperature 80°C.

Ref	Description	Fam.	Subfam.	Disp. Stock	
FAAL1070	AISI 316 SMOOTH CARTRIDGE 10"-70 MICRON	040	105	•	
FAAP1050	AISI 316 PLEATED CARTRIDGE 10"-50 MICRON	040	105	•	

Box: WxLxH	Box: Q.ty	Box: Weight	Pallet: WxLxH	Pallet: Q.ty	Pallet: Weight

Certificates	Manufacturer	Sectors
DM174-2004 ACS	MWG	Domestic, Commercial, Industrial



Nylon Mesh Filtering Cartridge with PP Reinforcement

- Washable cartridge with closing rings;
- Filtration degree 60 micron;
- Dimensions external diameter 62 mm, internal 27 mm;
- Length 250 mm and nominal length 10";
- Nylon mesh spare (REF. FB222).

Ref	Description	Fam.	Subfam.	Disp. Stock	
FA060	WASHABLE NYLON CARTRIDGE CLA 60	040	105	•	

Box: WxLxH	Box: Q.ty	Box: Weight	Pallet: WxLxH	Pallet: Q.ty	Pallet: Weight

Certificates	Manufacturer	Sectors
		Domestic, Commercial, Industrial



Wound Polypropylene Cartridge with AISI 316 Core for Hot Water Filters

- To install with our Hot Water Filters on catalogue;
- dimensions external diameter 56 mm, internal 27 mm;
- length 250 mm, nominal length 10";
- max operating temperature 80°C.

Ref	Description	Fam.	Subfam.	Disp. Stock	
FA071	STRING WOUND CARTRIDGE PAX 05-9 3/4	040	105	•	
FA072	STRING WOUND CARTRIDGE PAX 10-9 3/4	040	105	•	
FA073	STRING WOUND CARTRIDGE PAX 20-9 3/4	040	105	•	
FA074	STRING WOUND CARTRIDGE PAX 50-9 3/4	040	105	•	

Ref	Description	Micron
FA071	STRING WOUND CARTRIDGE PAX 05-9 3/4	5
FA072	STRING WOUND CARTRIDGE PAX 10-9 3/4	10
FA073	STRING WOUND CARTRIDGE PAX 20-9 3/4	20
FA074	STRING WOUND CARTRIDGE PAX 50-9 3/4	50

Certificates	Manufacturer	Sectors
		Domestic, Commercial, Industrial



Filtering Cartridges

Empty Cartridges



- plastic empty cartridge;
- external diameter 70 mm;
- useful to fill with polyphosphate crystals - activated carbon - resins.

Ref	Description	Fam.	Subfam.	Disp. Stock
FAVP10	EMPTY CARTRIDGE 10"	040	105	•
FAVP20	EMPTY CARTRIDGE 20"	040	105	•

Ref	Nominal Length (inch)	Length (mm)	Volume (Liters)
FAVP10	10"	252	0,6
FAVP20	20"	510	1,2

Box: WxLxH	Box: Q.ty	Box: Weight	Pallet: WxLxH	Pallet: Q.ty	Pallet: Weight

Certificates	Manufacturer	Sectors
DM174-2004	MWG	Domestic

Anti-scale Cartridges with Polyphosphate Crystals.



- Plastic cartridge;
- External diameter 70 mm;
- Shipped with polyphosphate crystals 10 ÷ 20 mm;
- Maximum temperature = 35°C;
- Maximum total hardness = 50°f (500 ppm CaCO₃);
- The polyphosphate complies with the standard UNI EN 1208:2005.

Ref	Description	Fam.	Subfam.	Disp. Stock
FAPP1012	MWG 10" CARTRIDGE WITH 10-20 MM POLYPH. CRYSTALS	040	105	•
FAPP2012	MWG 10" CARTRIDGE WITH 10-20 MM POLYPH. CRYSTALS	040	105	•

Ref	Nominal Length (inch)	Length (mm)
FAPP1012	10"	252
FAPP2012	20"	510

Box: WxLxH	Box: Q.ty	Box: Weight	Pallet: WxLxH	Pallet: Q.ty	Pallet: Weight

Certificates	Manufacturer	Sectors
	MWG	Domestic, Commercial, Industrial

PP Melt Blown 5" Filtering Cartridge

- melt blown polypropylene fibers cartridge; dimensions external diameter 64 mm, internal 25 mm.



Ref	Description	Fam.	Subfam.	Disp. Stock
FA021	IN FIBER CARTRIDGE PP 5" SED 5 MICRON	040	105	•

Ref	Nominal Length (inch)	Length (mm)	Micron
FA021	10"	252	5

Box: WxLxH	Box: Q.ty	Box: Weight	Pallet: WxLxH	Pallet: Q.ty	Pallet: Weight

Certificates	Manufacturer	Sectors
		Domestic, Commercial, Industrial



MM Mini Three Pieces Filter Housings



- Made in European Union (Italy);
- Suitable for MINI filtering cartridges 5" length;
- Head and nut material ABS blue colour;
- IN/OUT connections 1/2" with brass inserts;
- Sump in SAN clear and O-ring in EPDM material;
- Max operating pressure 8 bar;
- Temperature range = 4 ÷ 45°C.

Ref	Description	Fam.	Subfam.	Disp. Stock	
FBMM0505T	MINI FILETR HOUSING L=5" -1/2" TRANSPARENT BOWL	040	106	•	
Box: WxLxH	Box: Q.ty	Box: Weight	Pallet: WxLxH	Pallet: Q.ty	Pallet: Weight
Certificates		Manufacturer		Sectors	
DM174-2004 DM25-2012 ACS		MWG		Domestic, Commercial	



Cartridges to coupling, MINI Wound PP Thread Filtering Cartridge

- Filtering degree 25 micron;
- Dimensions external diameter 45 mm, internal 18 mm;
- Length 5" (= 122 mm).

Ref	Description	Fam.	Subfam.	Disp. Stock	
FAMM0525	5" MINI CARTRIDGE PP WOUND THREAD 25 MICRON	040	105	•	
Box: WxLxH	Box: Q.ty	Box: Weight	Pallet: WxLxH	Pallet: Q.ty	Pallet: Weight
Certificates		Manufacturer		Sectors	
DM174-2004 ACS		MWG		Domestic	



Washable MINI Filtering Cartridge with Net in Polyester

- Washable MINI cartridge in Polyester;
- Filtering degree 50 micron;
- Dimensions external diameter 50 mm, internal 20 mm;
- Length 5" (= 122 mm).

Ref	Description	Fam.	Subfam.	Disp. Stock	
FAMM0550	5" MINI CARTRIDGE POLYESTER WASHABLE NET 50 MICRON	040	105	•	
Box: WxLxH	Box: Q.ty	Box: Weight	Pallet: WxLxH	Pallet: Q.ty	Pallet: Weight
Certificates		Manufacturer		Sectors	
DM174-2004 ACS		MWG		Domestic	

Accessories

Ref	Description	Fam.	Subfam.	Disp. Stock	
FBMMR11	PLASTIC SPANNER FOR FILTER MM	040	106	•	
FBMMR41	DIFFUSER TUBE 5" FOR FILTER MM	040	106	•	
FBMDR31	PLASTIC NIPPLE 3/4" BSPP W/O-RING FOR FILTER MD/MM/MT	040	106	•	



Residential Cintropur Filters



- range of filters for drinking water entirely made in synthetic material;
- the particular centrifugal effect causes the precipitation of larger particles, while the final filtration is assured by the filter sleeve;
- the filters include the sleeve at 25 micron;
- also available sleeves at 1, 10, 50 and 100 micron as spare parts;
- wrench and two complete connections included;
- max operating pressure 10 bar;
- max operating temperature 50°C.

Ref	Description	Fam.	Subfam.	Disp. Stock	
FB400	FILTER CINTROPUR NW18-3/4" - 25 MICRON	040	113	•	
FB401	FILTER CINTROPUR NW 25-3/4" - 25 MICRON	040	113	•	
FB402	FILTER CINTROPUR NW 25-1" - 25 MICRON	040	113	•	
FB403	FILTER CINTROPUR NW 32-1"1/4 - 25 MICRON	040	113	•	

Ref	Connections (pollici)	Flow m ³ /h Δp 0,2 bar	Height (mm)	Width (mm)
FB400	3/4"	3,5	240	270
FB401	3/4"	5,5	355	270
FB402	1"	5,5	355	270
FB403	1 1/4"	6,5	540	270

Box: WxLxH	Box: Q.ty	Box: Weight	Pallet: WxLxH	Pallet: Q.ty	Pallet: Weight

Certificates	Manufacturer	Sectors
DM174-2004 ACS	Cintropur	Domestic, Commercial

Accessories and spare parts

Ref	Description	Fam.	Subfam.	Disp. Stock	
FB470	SPANNER NW18/25/32 REF. 21	040	112	•	
FB471	DRINE BALL VALVE 1/4" NW 18/25/32 REF 22	040	112		
FB472	MANOMETER 1/8" SCALE 0-10 BAR NW 18/25/32 REF 23	040	112	•	
FB473	SINGLE PP MOUNTING BRACKET NW18/25/32 REF. 24	040	112	•	
FB444	N. 5 SPARE SLEEVES KIT 1 MICRON NW 25	040	112	•	
FB426	N. 5 SPARE SLEEVES KIT 10 MICRONS NW 25	040	112	•	
FB427	N. 5 SPARE SLEEVES KIT 25 MICRONS NW 25	040	112	•	
FB428	N. 5 SPARE SLEEVES KIT 50 MICRONS NW 25	040	112	•	
FB429	N. 5 SPARE SLEEVES KIT 100 MICRONS NW 25	040	112	•	
FB445	N. 5 SPARE SLEEVES KIT 1 MICRON NW 32	040	112	•	
FB432	N. 5 SPARE SLEEVES KIT 10 MICRONS NW 32	040	112	•	
FB433	N. 5 SPARE SLEEVES KIT 25 MICRONS NW 32	040	112	•	
FB434	N. 5 SPARE SLEEVES KIT 50 MICRONS NW 32	040	112	•	
FB435	N. 5 SPARE SLEEVES KIT 100 MICRONS NW 32	040	112	•	



Commercial Cintropur Filters



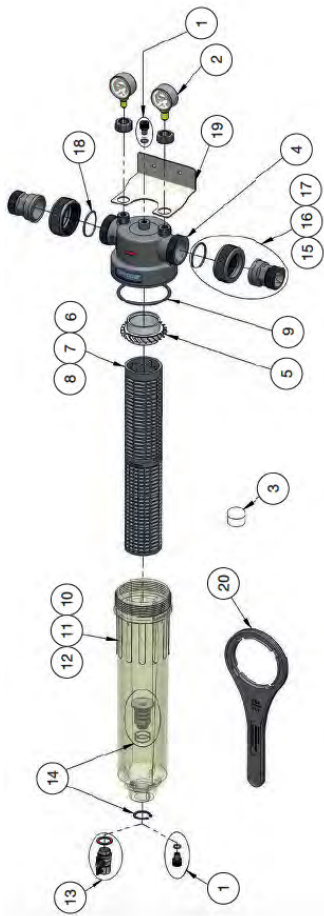
- range of filters for drinking water entirely made in synthetic material;
- the particular centrifugal effect causes the precipitation of larger particles, while the final filtration is assured by the filter sleeve;
- the filters include the sleeve at 25 micron;
- also available sleeves at 1, 5, 10, 50, 100, 150 and 300 micron as spare parts;
- wrench, pressure gauge and drain cock included;
- max operating pressure 10 bar;
- max pressure 16 bar;
- max operating temperature 50°C.

Ref	Description	Fam.	Subfam.	Disp. Stock	
FB404	FILTER CINTROPUR NW 280-1" - 25 MICRON	040	113	•	
FB405	FILTER CINTROPUR NW 340-1"1/4 - 25 MICRON	040	113	•	
FB406	FILTER CINTROPUR NW 400-1,5" - 25 MICRON	040	113	•	

Ref	Flow m ³ /h Δp 0,2 bar	Weight (kg)	Connections	Ø Pipe	A (mm)	B (mm)
FB404	7	2,2	1" BSPT	1"	284	472
FB405	10	2,7	1¼"BSPT	1 ¼"	284	573
FB406	12	2,9	1½"BSPT	1 ½"	284	675

Box: WxLxH	Box: Q.ty	Box: Weight	Pallet: WxLxH	Pallet: Q.ty	Pallet: Weight

Certificates	Manufacturer	Sectors
DM174-2004 ACS	Cintropur	Commercial



Rif.	Ref	Description	Fam.	Subfam.	Disp. Stock	
1	FB487C	NW280/340/400 AIR VALVE KIT (WITH O-RING)	040	112		
2	FB492C	NW280/340/400/500/650/800 1/4" PRESSURE GAUGE 0	040	112		
3	FB450C	GREASE FOR O-RING (20G)	040	112		
4	FB480C	NW280/340/400 FILTER HEAD	040	112		
5	FB483C	NW280/340/400 CENTRIFUGAL VANE	040	112		
6	FB452C	NW280 PVC FILTERING SUPPORT ARMOR	040	112		
7	FB453C	NW340 PVC FILTERING SUPPORT ARMOR	040	112		
8	FB454C	NW400 PVC FILTERING SUPPORT ARMOR	040	112		
9	FB486C	NW280/340/400 HEAD O-RING	040	112		
10	FB465C	NW280 CLEAR BOWL	040	112		
11	FB488C	NW340 CLEAR BOWL	040	112		
12	FB489C	NW400 CLEAR BOWL	040	112		
13	FB471C	NW280/340/400 DRAIN COCK 1/2" + GASKET	040	112		
14	FB491C	NW280/340/400 DRAIN VALVE ADAPTER + 2 O-RING + CLIPS	040	112	•	
15	FB494C	NW280 SET OF 2 COMPLETE COUPLINGS 1" M	040	112		
16	FB495C	NW340 SET OF 2 COMPLETE COUPLINGS 1 1/4" M	040	112		
17	FB496C	NW400 SET OF 2 COMPLETE COUPLINGS 1 1/2" M	040	112		
18	FB499C	O-RING FOR NW280/340/400 CONNECTIONS	040	112		
19	FB497C	NW280/340/400 WALL BRACKET IN STAINLESS STEEL	040	112	•	
20	FB479C	NW280/340/400 WRENCH	040	112	•	
N.Visual.	FB444C	N. 5 SPARE SLEEVES KIT 1 MICRON NW 280	040	112	•	
N.Visual.	FB437C	N. 5 SPARE SLEEVES KIT 5 MICRON NW 280	040	112	•	
N.Visual.	FB438C	N. 5 SPARE SLEEVES KIT 10 MICRON NW 280	040	112	•	
N.Visual.	FB439C	N. 5 SPARE SLEEVES KIT 25 MICRON NW 280	040	112	•	
N.Visual.	FB440C	N. 5 SPARE SLEEVES KIT 50 MICRON NW 280	040	112	•	
N.Visual.	FB441C	N. 5 SPARE SLEEVES KIT 100 MICRON NW 280	040	112	•	
N.Visual.	FB442C	N. 5 SPARE SLEEVES KIT 150 MICRON WASHABLE NW 280	040	112	•	
N.Visual.	FB443C	N. 5 SPARE SLEEVES KIT 300 MICRON WASHABLE NW 280	040	112	•	
N.Visual.	FB444D	N. 5 SPARE SLEEVES KIT 1 MICRON NW 340	040	112	•	
N.Visual.	FB437D	N. 5 SPARE SLEEVES KIT 5 MICRON NW 340	040	112	•	
N.Visual.	FB438D	N. 5 SPARE SLEEVES KIT 10 MICRON NW 340	040	112	•	
N.Visual.	FB439D	N. 5 SPARE SLEEVES KIT 25 MICRON NW 340	040	112	•	
N.Visual.	FB440D	N. 5 SPARE SLEEVES KIT 50 MICRON NW 340	040	112	•	
N.Visual.	FB441D	N. 5 SPARE SLEEVES KIT 100 MICRON NW 340	040	112	•	
N.Visual.	FB442D	N. 5 SPARE SLEEVES KIT 150 MICRON WASHABLE NW 340	040	112	•	
N.Visual.	FB443D	N. 5 SPARE SLEEVES KIT 300 MICRON WASHABLE NW 340	040	112	•	
N.Visual.	FB444E	N. 5 SPARE SLEEVES KIT 1 MICRON NW 400	040	112	•	
N.Visual.	FB437E	N. 5 SPARE SLEEVES KIT 5 MICRON NW 400	040	112	•	
N.Visual.	FB438E	N. 5 SPARE SLEEVES KIT 10 MICRON NW 400	040	112	•	
N.Visual.	FB439E	N. 5 SPARE SLEEVES KIT 25 MICRON NW 400	040	112	•	
N.Visual.	FB440E	N. 5 SPARE SLEEVES KIT 50 MICRON NW 400	040	112	•	
N.Visual.	FB441E	N. 5 SPARE SLEEVES KIT 100 MICRON NW 400	040	112	•	
N.Visual.	FB442E	N. 5 SPARE SLEEVES KIT 150 MICRON WASHABLE NW 400	040	112	•	
N.Visual.	FB443E	N. 5 SPARE SLEEVES KIT 300 MICRON WASHABLE NW 400	040	112	•	



Industrial Cintropur Filters



- range of filters for drinking water entirely made in synthetic material;
- the particular centrifugal effect causes the precipitation of larger particles, while the final filtration is assured by the filter sleeve;
- the filters include the sleeve at 25 micron;
- also available sleeves at 5, 10, 50, 100, 150 and 300 micron as spare parts;
- wrench, pressure gauge and drain cock included;
- max operating pressure 10 bar;
- max pressure 16 bar;
- max operating temperature 50°C.

Ref	Description	Fam.	Subfam.	Disp. Stock	
FB408A	FILTER CINTROPUR NW 500-2" - 25 MICRON	040	113	•	
FB408TE	FILTER CINTROPUR NW 500 - 2" - TE	040	113	•	
FB409A	FILTER CINTROPUR NW 650-2"1/2 - 25 MICRON	040	113	•	
FB410A	FILTER CINTROPUR NW 800-3" - 25 MICRON	040	113	•	

Ref	Flow m ³ /h con Δp 0,2 bar	Weight (kg)	Connections	Ø Pipe	A (mm)	B (mm)
FB408A	18	6,4	2" BSPT	2"	363	770
FB408TE	2	6,4	2" BSPT	2"	363	770
FB409A	25	7,0	DN65	2 ½"	304	770
FB410A	32	7,4	DN80	3"	313	770

Box: WxLxH	Box: Q.ty	Box: Weight	Pallet: WxLxH	Pallet: Q.ty	Pallet: Weight

Certificates	Manufacturer	Sectors
DM174-2004 ACS	Cintropur	Commercial, Industrial



Industrial Cintropur Filters

Accessories



Rif. N.	Ref	Description	Fam.	Subfam.	Disp. Stock	
33	FB487	PURGE/DRAIN FITTING KIT W/O-RING NW50/62/75/500/650/800 REF. 33	040	112		
50	FB480A	FILTER HEAD NW500/650 REF. 50	040	112		
51	FB482A	FILTER HEAD NW800 REF. 51	040	112		
52	FB483A	TURBINE + FIXING SCREW NW500/650/800 REF. 52	040	112		
53	FB484A	SUPPORT ARMOR NW500/650/800 REF.53	040	112		
54	FB485A	CARTRIDGE CLOSURE CAP NW500/650/800 REF.54	040	112		
55	FB486A	HEAD O-RING NW500/650/800 REF. 55	040	112		
56	FB488A	TRANSPARENT BOWL NW500/650/800 REF. 56	040	112		
58	FB489A	BLACK BOWL NW500/650/800 REF. 58	040	112		
59	FB490A	DIFFUSER KIT NW500/650/800 REF. 59	040	112		
60	FB491A	DRAIN VALVE ADAPTER W/O-RING NW500/650/800 REF. 60	040	112		•
61	FB491B	DRAIN BALL VALVE 3/4" NW500/650/800 REF. 61	040	112		•
62	FB479	SPANNER NW500/650/800 REF. 62	040	112		•
63	FB494A	KIT PLASTIC NUT + 2" MALE MANIFOLD NW500 REF. 63	040	112		
64	FB495A	KIT PLASTIC MANIFOLD FLANGE DN65 NW650 REF. 64	040	112		
65	FB496A	KIT PLASTIC MANIFOLD FLANGE DN80 NW800 REF. 65	040	112		
66	FB497A	SINGLE S.S MOUNTING BRACKET NW500/650/800 REF. 66	040	112		•
69	FB492C	NW280/340/400/500/650/800 1/4" PRESSURE GAUGE 0	040	112		
70	FB499	MANIFOLD O-RING CONNECTIONS NW500/650 REF. 70	040	112		
71	FB499A	MANIFOLD O-RING CONNECTIONS NW800 REF. 71	040	112		
N. Visual	FB498	EPDM PLANE GASKET DN65 NW650 REF. 67	040	112		
N. Visual	FB498A	EPDM PLANE GASKET DN80 NW650 REF. 68	040	112		
N. Visual	FB437	N. 5 SPARE SLEEVES KIT 5 MICRONS NW 50/62/75/500/650/800	040	112		•
N. Visual	FB438	N. 5 SPARE SLEEVES KIT 10 MICRONS NW 50/62/75/500/650/800	040	112		•
N. Visual	FB439	N. 5 SPARE SLEEVES KIT 25 MICRONS NW 50/62/75/500/650/800	040	112		•
N. Visual	FB440	N. 5 SPARE SLEEVES KIT 50 MICRONS NW 50/62/75/500/650/800	040	112		•
N. Visual	FB441	N. 5 SPARE SLEEVES KIT 100 MICRONS NW 50/62/75/500/650/800	040	112		•
N. Visual	FB442	N. 5 SPARE SLEEVES KIT WASHABLE 150 MICRONS NW 50/62/75/500/650/800	040	112		•
N. Visual	FB443	N. 5 SPARE SLEEVES KIT WASHABLE 300 MICRONS NW 50/62/75/500/650/800	040	112		•



MD Two Pieces Filter Housings IN/OUT connections 3/4"



- Made in European Union (Italy);
- Two pieces filter housings for standard filtering cartridges length 10" or 20";
- Fixable head in material PP reinforced blue colour;
- Sump in PET;
- O-ring in EPDM;
- IN/OUT connections 3/4" BSPP F;
- With air valve;
- Max operating pressure 8 bar;
- Temperature 4 ÷ 45°C;

Ref	Description	Fam.	Subfam.	Disp. Stock	
FBMD1007T	TWO PIECES FILTER HOUSING L=10" 3/4" TRANSPARENT BOWL	040	106	•	
FBMD1007B	TWO PIECES FILTER HOUSING L=10" 3/4" BLUE BOWL	040	106	•	
FBMD2007T	TWO PIECES FILTER HOUSING L=20" 3/4" TRANSPARENT BOWL	040	106	•	
FBMD2007B	TWO PIECES FILTER HOUSING L=20" 3/4" BLUE BOWL	040	106	•	

Ref	Head Dimension (mm)	Total Length (mm)
FBMD1007T	122	325
FBMD1007B	122	325
FBMD2007T	122	577
FBMD2007B	122	577

Box: WxLxH	Box: Q.ty	Box: Weight	Pallet: WxLxH	Pallet: Q.ty	Pallet: Weight

Certificates	Manufacturer	Sectors
DM174-2004 DM25-2012 ACS	MWG	Domestic, Commercial

Accessories

Ref	Description	Fam.	Subfam.	Disp. Stock	
FBMDR11	PLASTIC SPANNER FOR FILTER MD	040	106	•	
FBMDR21	BLUE PLASTIC BRACKET FOR FILTER MD/MT WITH SCREW	040	106	•	
FBMDR31	PLASTIC NIPPLE 3/4" BSPP W/O-RING FOR FILTER MD/MM/MT	040	106	•	

Box: WxLxH	Box: Q.ty	Box: Weight	Pallet: WxLxH	Pallet: Q.ty	Pallet: Weight



BG Plastic BIG Filter Housings



- Made in European Union (Italy);
- Suitable for 4 1/2" diameter DOE high flow cartridges;
- Fixable head;
- Material in PP;
- O-ring in EPDM;
- complete with air valve
- Max operating pressure 8,3 bar;
- Temperature 4 ÷ 45°C;
- IN/OUT connections BSPP;
- With plastic wrench (ref. FBBGR11).

Ref	Description	Fam.	Subfam.	Disp. Stock	
FBBG1010B	FILTER HOUSING BIG L=10" -1" BLUE BOWL WITH KEY	040	106	•	
FBBG1015B	FILTER HOUSING BIG L=10" 1 1/2" BLUE BOWL WITH KEY	040	106	•	
FBBG2010B	FILTER HOUSING BIG L=20" - 1" BLUE BOWL WITH KEY	040	106	•	
FBBG2015B	FILTER HOUSING BIG L=20"- 1 1/2" BLUE BOWL WITH KEY	040	106	•	

Ref	In/Out Connection (inch)	Head Dimension (mm)	Total Length (mm)
FBBG1010B	1" F	190	360
FBBG1015B	1 1/2" F	190	360
FBBG2010B	1" F	190	617
FBBG2015B	1 1/2" F	190	617

Certificates	Manufacturer	Sectors
DM174-2004 DM25-2012	MWG	Domestic, Commercial

Ref	Description	Fam.	Subfam.	Disp. Stock	
FBBGR11	SPANNER FOR FILTER BG	040	106	•	

Box: WxLxH	Box: Q.ty	Box: Weight	Pallet: WxLxH	Pallet: Q.ty	Pallet: Weight

Cartridges to coupling

- BIG PP microfiber filtering cartridges;
- BIG CARBON BLOCK filtering cartridges.

Accessories

Ref	Description	Fam.	Subfam.	Disp. Stock	
FBBGR21	S.S. PAINTED MOUNTING BRACKET FOR FILTER BG	040	106	•	
FBBGR31	NR. 2 BRASS NIPPLES 1" W/O-RING FOR FILTER BG/MT	040	106	•	

Box: WxLxH	Box: Q.ty	Box: Weight	Pallet: WxLxH	Pallet: Q.ty	Pallet: Weight



MT Three Pieces Filter Housings



- Made in European Union (Italy);
- Three pieces filter housings for standard filtering cartridges length 10" or 20";
- Fixable head and nut in material PP reinforced blue colour;
- Sump in PET clear;
- O-ring in EPDM;
- IN/OUT connections BSPP F ¾" or 1", with brass inserts;
- With air valve;
- Max operating pressure 8 bar;
- Temperature 4 ÷ 45°C;
- **WARNING! FA064A and FA068 cartridges are not suitable for this housing.**

Ref	Description	Fam.	Subfam.	Disp. Stock	
FBMT1007T	THREE PIECES FILTER HOUSING L=10" 3/4" TRANSPARENT BOWL	040	106	•	
FBMT1010T	THREE PIECES FILTER HOUSING L=10" 1" TRANSPARENT BOWL	040	106	•	
FBMT2010T	THREE PIECES FILTER HOUSING L=20" 1" TRANSPARENT BOWL	040	106	•	

Ref	Connections (inch)	Head Dimension (mm)	Total Length (mm)
FBMT1007T	¾"	133	315
FBMT1010T	1"	145	321
FBMT2010T	1"	145	577

Box: WxLxH	Box: Q.ty	Box: Weight	Pallet: WxLxH	Pallet: Q.ty	Pallet: Weight

Certificates	Manufacturer	Sectors
DM174-2004 DM25-2012 ACS	MWG	Domestic, Commercial

Accessories

Ref	Description	Fam.	Subfam.	Disp. Stock	
FBMTR11	PLASTIC SPANNER FOR FILTER MT	040	106	•	
FBMTR41	DIFFUSER TUBE 10" FOR FILTER MT	040	106	•	
FBMDR21	BLUE PLASTIC BRACKET FOR FILTER MD/MT WITH SCREW	040	106	•	
FBMDR31	PLASTIC NIPPLE 3/4" BSPP W/O-RING FOR FILTER MD/MM/MT	040	106	•	
FBBGR31	NR. 2 BRASS NIPPLES 1" W/O-RING FOR FILTER BG/MT	040	106	•	

Box: WxLxH	Box: Q.ty	Box: Weight	Pallet: WxLxH	Pallet: Q.ty	Pallet: Weight



MD, DD and TD two Pieces Filter Housings IN/OUT connections 1/4" for R.O. Systems



FBMD1002T



FBMD1002W



FBDD1002W



FBTD1002W

- Made in European Union (Italy);
- Suitable for residential R.O. and filtration systems;
- Two pieces filter housings for standard filtering cartridges length 10"
- Total height 325 mm;
- Fixable head (single, double or triplex) in material PP reinforced white colour;
- Sump in PET clear or white, O-ring in EPDM;
- IN/OUT connections 1/4" BSPP F;
- With air valve;
- Max operating pressure 8 bar, temperature 4 ÷ 45°C;
- Designed for the following single, double or triple brackets (also ideal for 2 + 1 application), with fixing screws.

Ref	Description	Fam.	Subfam.	Disp. Stock	
FBMD1002T	TWO PIECES FILTER HOUSING L=10" 1/4" TRANSPARENT BOWL	030	175	•	
FBMD1002W	TWO PIECES FILTER HOUSING L=10" - 1/4" WHITE BOWL	030	175	•	
FBDD1002W	TWO PIECES TWO FILTER HOUSING L=10" - 1/4" WHITE BOWL	030	175	•	
FBTD1002W	TWO PIECES THREE FILTER HOUSING L=10" - 1/4" WHITE BOWL	030	175	•	

Ref	Cartridge Length (inch)	Head Dimension (mm)
FBMD1002T	Single	122
FBMD1002W	Single	122
FBDD1002W	Duplex	228
FBTD1002W	Triplex	336

Ref	Box: WxLxH.	Box: Q.ty	Box: Weight.	Pallet: WxLxH.	Pallet: Q.ty	Pallet: Weight.
FBMD1002T						
FBMD1002W						
FBDD1002W						
FBTD1002W						

Certificates	Manufacturer	Sectors
DM174-2004 DM25-2012 ACS	MWG	Domestic, Commercial

Accessories

Ref	Description	Fam.	Subfam.	Disp. Stock	
FBMDR11	PLASTIC SPANNER FOR FILTER MD	040	106	•	
FBMDR22	WHITE BRACKET WITH SCREWS FOR MD AND MT FILTER HOUSINGS	030	175	•	
FBMDR24	WHITE BRACKET WITH SCREWS FOR DD AND DT TWO FILTER HOUSINGS	030	175	•	
FBMDR26	WHITE BRACKET WITH SCREWS FOR TD AND TT THREE FILTER HOUSINGS	030	175	•	



Self Cleaning Filters

- range of sediment self clearing filters, chrome plated brass head and trogamid sump, with pleated AISI 304 cartridge at 100 micron (on request available also at 25, 60, 200 and 300 micron);
- complete with manometer on inlet;
- opening the drain valve, a depression is created inside the sump, that lowers the cartridge and reverts the clearing water flow. Closing the valve, the cartridge rises and places the filter in service again. Repeat the action 4-5 times for about 10 seconds each time;
- easy cartridge disassembly in case of inspection or replacement;
- for 3/4" ÷ 2" models, on demand available models with automatic cleaning controller (AOTC AUT Models);
- IN/OUT connections 1/2" F;
- max operating pressure 16 bar;
- temperature 0 ÷ 40° C;
- max ΔP recommended 1 bar.

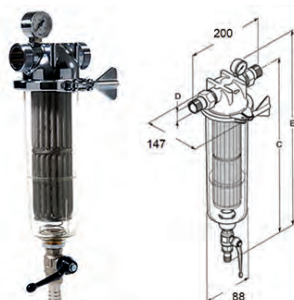


Ref	Description	Fam.	Subfam.	Disp. Stock
FB210B	AOTC-12 FILTER BRASS WITH INOX CARTRIDGE 100	040	109	•

Ref	In-Out Connections	Flow a Δp=0,2 bar (l/h)
FB210B	1/2" F	1500

Box: WxLxH	Box: Q.ty	Box: Weight	Pallet: WxLxH	Pallet: Q.ty	Pallet: Weight

Certificates	Manufacturer	Sectors
DM174-2004		Domestic, Commercial



Ref	Description	Fam.	Subfam.	Disp. Stock
FB211B	AOTC-34 FILTER BRASS WITH INOX CARTRIDGE 100	040	109	•
FB211BT	AOTC-34 FILTER BRASS WITH INOX CARTRIDGE 100 AUT. VERSION	040	109	
FB212B	AOTC-1 FILTER BRASS WITH INOX CARTRIDGE 100	040	109	•
FB212BT	AOTC-1 FILTER BRASS WITH INOX CARTRIDGE 100 AUT. VERSION	040	109	
FB213B	AOTC-114 FILTER BRASS WITH INOX CARTRIDGE 100	040	109	•
FB213BT	AOTC-114 FILTER BRASS WITH INOX CARTRIDGE 100 AUT. VERSION	040	109	

Ref	C	D In-Out Connections Gas	E	Flow Δp=0,2 bar (l/h)
FB211B	365	3/4"	460	3000
FB211BT	365	3/4"	460	3000
FB212B	365	1"	460	3500
FB212BT	365	1"	460	3500
FB213B	375	1 1/4"	470	4500
FB213BT	375	1 1/4"	470	4500

Box: WxLxH	Box: Q.ty	Box: Weight	Pallet: WxLxH	Pallet: Q.ty	Pallet: Weight

Certificates	Manufacturer	Sectors
DM174-2004		Domestic, Commercial



- max operating pressure 10 bar; temperature 0 ÷ 40°C;
- max ΔP recommended 1 bar.

Ref	Description	Fam.	Subfam.	Disp. Stock	
FB214B	AOTC-112 FILTER BRASS WITH INOX CARTRIDGE 100	040	109	•	
FB214BT	AOTC-112 FILTER BRASS WITH INOX CARTRIDGE 100 AUT. VERSION	040	109		
FB215B	AOTC-2 FILTER BRASS WITH INOX CARTRIDGE 100	040	109	•	
FB215BT	AOTC-2 FILTER BRASS WITH INOX CARTRIDGE 100 AUT. VERSION	040	109		

Ref	D In-Out Connections Gas	Flow Δp=0,2 bar (l/h)
FB214B	1½" F	10000
FB214BT	1½" F	10000
FB215B	2" F	15000
FB215BT	2" F	15000

Box: WxLxH	Box: Q.ty	Box: Weight	Pallet: WxLxH	Pallet: Q.ty	Pallet: Weight

Certificates	Manufacturer	Sectors
DM174-2004		Domestic, Commercial



Filters with Washable Cartridge



- range of sediment filters, chrome plated brass head and trogamid sump, complete with washable cartridge;
- available AISI 304 cartridges and versions with AISI 316 sump for temperature up to 80°C (only ¾" - 1" - 1 ¼" models)
- max operating pressure 16 bar;
- temperature 0 ÷ 40° C;
- nylon cartridge 60 micron (REF. FB221).

Ref	Description	Fam.	Subfam.	Disp. Stock	
FB200	OTC-12 FILTER BRASS WITH NYLON CARTRIDGE 60	040	109	•	

Ref	In-Out Connections	Flow Δp=0,2 bar (l/h)
FB200	½" F	1200

Box: WxLxH	Box: Q.ty	Box: Weight	Pallet: WxLxH	Pallet: Q.ty	Pallet: Weight

Certificates	Manufacturer	Sectors
DM174-2004		Domestic, Commercial



- max operating pressure 16 bar;
- temperature 0 ÷ 40° C;
- nylon cartridge 60 micron (REF. FB224).

Ref	Description	Fam.	Subfam.	Disp. Stock	
FB201	OTC-34 FILTER BRASS WITH NYLON CARTRIDGE 60	040	109	•	
FB202	OTC-1 FILTER BRASS WITH NYLON CARTRIDGE 60	040	109	•	
FB203	OTC-114 FILTER BRASS WITH NYLON CARTRIDGE 60	040	109	•	

Ref	In-Out Connections	Flow Δp=0,2 bar (l/h)
FB201	¾"	3000
FB202	1"	3500
FB203	1 ¼"	5000

Box: WxLxH	Box: Q.ty	Box: Weight	Pallet: WxLxH	Pallet: Q.ty	Pallet: Weight

Certificates	Manufacturer	Sectors
DM174-2004		Domestic, Commercial



- max operating pressure 10 bar;
- temperature 0 ÷ 40° C;
- AISI 304 cartridge 100 micron (REF. FB232).

Ref	Description	Fam.	Subfam.	Disp. Stock	
FB204B	OTC-112 FILTER BRASS WITH INOX CARTRIDGE 100	040	109	•	
FB205B	OTC-2 FILTER BRASS WITH INOX CARTRIDGE 100	040	109	•	

Ref	In-Out Connections	Flow Δp=0,2 bar (l/h)
FB204B	1 ½" F	10000
FB205B	2" F	15000

Box: WxLxH	Box: Q.ty	Box: Weight	Pallet: WxLxH	Pallet: Q.ty	Pallet: Weight

Certificates	Manufacturer	Sectors
DM174-2004		Domestic, Commercial



Hot Water Filters



- Filter housing brass chromium-pleated head with sump in AISI 304, for standard filtering cartridges external diameter max 67 mm, and nominal length 10" or 20";
- Complete with internal tie-rod in AISI 304 to fit cartridges;
- Max operating temperature 80°C;
- Max operating pressure 16 bar;
- With air valve.
- **Cartridges to coupling:** AISI 304 pleated filtering cartridges, REF. FB225, FB228, FB231, FB234 and FB237 Note: for MODEL 20", you can't put one 10" filtering cartridge on another;
- AISI 304 filtering cartridges, smooth or pleated;
- Wound Polypropylene cartridges with AISI 316 core.

Ref	Description	Fam.	Subfam.	Disp. Stock	
FB217	FILTER HOUSING OTC.HW-34	040	109	•	
FB218	FILTER HOUSING OTC.HW-1	040	109	•	
FB219	FILTER HOUSING OTC.HW-114	040	109	•	
FB217A	FILTER HOUSING OTC HW-34-20"	040	109	•	
FB218A	FILTER HOUSING OTC HW-1-20"	040	109	•	
FB219A	FILTER HOUSING OTC HW-114-20"	040	109	•	

Ref	Connections (inch)	Nominal Length (inch)	A (mm)	B (mm)	C (mm)	F (mm)
FB217	¾"	10"	200	88	375	147
FB218	1"	10"	200	88	375	147
FB219	1¼"	10"	200	88	385	147
FB217A	¾"	20"	200	88	630	147
FB218A	1"	20"	200	88	630	147
FB219A	1¼"	20"	200	88	640	147

Box: WxLxH	Box: Q.ty	Box: Weight	Pallet: WxLxH	Pallet: Q.ty	Pallet: Weight

Certificates	Manufacturer	Sectors
DM174-2004		Domestic, Commercial



Filter Housings Brass Head



- three pieces filter housings;
- head and nut material brass nickel-pleated, sump in SAN clear;
- max operating pressure 8 bar;
- max operating temperature 40° C;
- complete with air valve.

Ref	Description	Fam.	Subfam.	Disp. Stock	
FB060	FILTER HOUSING OTS 34-9	040	109	•	
FB061	FILTER HOUSING OTS 1-9	040	109	•	
FB062	FILTER HOUSING OTS 1-20	040	109	•	
FB063	FILTER HOUSING OTS 114-10	040	109	•	
FB064	FILTER HOUSING OTS 114-20	040	109	•	
FB072	FILTER HOUSING OTS 112-10	040	109	•	
FB065	FILTER HOUSING OTS 112-20	040	109	•	
FB073	FILTER HOUSING OTS 2-10	040	109	•	
FB066	FILTER HOUSING OTS 2-20	040	109	•	

Ref	Connections (inch)	For Cartridge	L (mm)	H (mm)
FB060	¾"	10"	135	330
FB061	1"	10"	135	330
FB062	1"	20"	135	600
FB063	1¼"	10"	150	340
FB064	1¼"	20"	150	620
FB072	1½"	10"	150	340
FB065	1½"	20"	150	620
FB073	2"	10"	162	360
FB066	2"	20"	162	640

Box: WxLxH	Box: Q.ty	Box: Weight	Pallet: WxLxH	Pallet: Q.ty	Pallet: Weight

Certificates	Manufacturer	Sectors
		Domestic, Commercial

Accessories Wrench

- galvanised steel material.

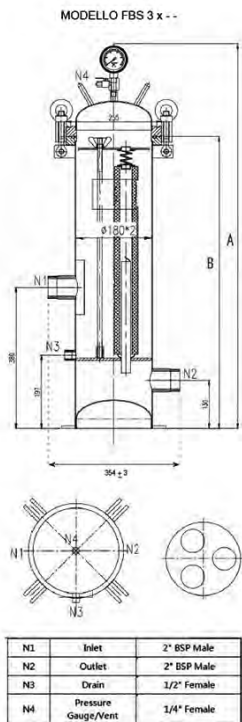


Ref	Description	Fam.	Subfam.	Disp. Stock	
FB069	SPANNER FOR FILTER OTS	040	105	•	

Box: WxLxH	Box: Q.ty	Box: Weight	Pallet: WxLxH	Pallet: Q.ty	Pallet: Weight



MWG AISI 316L Filter Housings



- Multicartridges filter housings flanged top opening AISI 316L for 3 cartridges, In/Out connections 2" BSP M or DN50 flange;
- 1/2" BSP F connection for drain filter;
- 3/4" BSP F connection for air valve pressure gauge;
- High resistance and strength electrowelded construction, complete with AISI 316 fixing cartridges accessories, mechanical polishing outside treatment;
- European 2014/68/EU Directive compliant for pressure equipment (PED);
- Max pressure @ 20°C = 10 bar; Max pressure @ 40°C = 9 bar; Max pressure @ 80°C = 8 bar;
- Hydraulic test pressure = 12 bar;
- Max temperature 80 °C;
- Gasket material EPDM (option in Viton not included, to order separately);
- Suitable for DOE cartridges;
- Cartridges dimensions: ID min/max 28÷30 mm, OD max 65 mm and length 20"-30"-40".
- **WARNING!** For these housings the suitable Carbon Block cartridges are FA018 and FA019.
- The FA013 and FA014 cartridges of our catalogue are not suitable for these housings.

Ref	Description	Fam.	Subfam.	Disp. Stock	
FBS0320	MWG FILTER HOUSING MOD. FBS 3x20" AISI 316L-2" M	040	115	•	
FBS0320FL	MWG FILTER HOUSING MOD. FBS 3x20" AISI 316L-DN 50	040	115		

Ref	In/Out Connections	A (mm)	B (mm)
FBS0320	2" BSP M	1038	788
FBS0320FL	DN50 Flange	1038	788

Box: WxLxH	Box: Q.ty	Box: Weight	Pallet: WxLxH	Pallet: Q.ty	Pallet: Weight

Ref	Description	Fam.	Subfam.	Disp. Stock	
FBS0330	MWG FILTER HOUSING MOD. FBS 3x30" AISI 316L-2" M	040	115	•	
FBS0330FL	MWG FILTER HOUSING MOD. FBS 3x30" AISI 316L-DN 50	040	115		

Ref	In/Out Connections	A (mm)	B (mm)
FBS0330	2" BSP M	1292	1042
FBS0330FL	DN50 Flange	1292	1042

Box: WxLxH	Box: Q.ty	Box: Weight	Pallet: WxLxH	Pallet: Q.ty	Pallet: Weight

Ref	Description	Fam.	Subfam.	Disp. Stock	
FBS0340	MWG FILTER HOUSING MOD. FBS 3x40" AISI 316L-2" M	040	115	•	
FBS0340FL	MWG FILTER HOUSING MOD. FBS 3x40" AISI 316L-DN 50	040	115		

Ref	In/Out Connections	A (mm)	B (mm)
FBS0340	2" BSP M	1546	1296
FBS0340FL	DN50 Flange	1546	1296

Box: WxLxH	Box: Q.ty	Box: Weight	Pallet: WxLxH	Pallet: Q.ty	Pallet: Weight

Certificates	Manufacturer	Sectors
DM174-2004 CE	MWG	Industrial



MWG AISI 316L Filter Housings

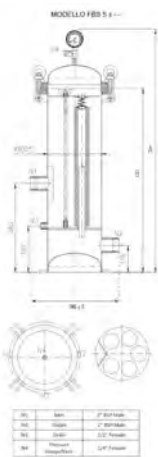


- Multicartridges filter housings flanged top opening AISI 316L for 5 cartridges, In/Out connections 2" BSP M or DN50 flange;
- 1/2" BSP F connection for drain filter;
- 3/4" BSP F connection for air valve pressure gauge;
- High resistance and strength electrowelded construction, complete with AISI 316 fixing cartridges accessories, mechanical polishing outside treatment;
- European 2014/68/EU Directive compliant for pressure equipment (PED);
- Max pressure @ 20°C = 10 bar;
- Max pressure @ 40°C = 9 bar; Max pressure @ 80°C = 8 bar;
- Hydraulic test pressure = 12 bar;
- Max temperature 80 °C;
- Gasket material EPDM (option in Viton not included, to order separately);
- Suitable for DOE cartridges;
- Cartridges dimensions: ID min/max 28÷30 mm, OD max 65 mm and length 20"- 30"- 40".
- **WARNING!** For these housings the suitable Carbon Block cartridges are FA018 and FA019.
- The FA013 and FA014 cartridges of our catalogue are not suitable for these housings.

Ref	Description	Fam.	Subfam.	Disp. Stock	
FBS0520	MWG FILTER HOUSING MOD. FBS 5x20" AISI 316L- 2"M	040	115	•	
FBS0520FL	MWG FILTER HOUSING MOD. FBS 5x20" AISI 316L- DN 50	040	115		

Ref	In/Out Connections	A (mm)	B (mm)
FBS0520	2" BSP M	1045	788
FBS0520FL	DN50 Flange	1045	788

Box: WxLxH	Box: Q.ty	Box: Weight	Pallet: WxLxH	Pallet: Q.ty	Pallet: Weight



Ref	Description	Fam.	Subfam.	Disp. Stock	
FBS0530	MWG FILTER HOUSING MOD. FBS 5x30" AISI 316L- 2"M	040	115	•	
FBS0530FL	MWG FILTER HOUSING MOD. FBS 5x30" AISI 316L- DN 50	040	115		

Ref	In/Out Connections	A (mm)	B (mm)
FBS0530	2" BSP M	1042	1299
FBS0530FL	DN50 Flange	1042	1299

Box: WxLxH	Box: Q.ty	Box: Weight	Pallet: WxLxH	Pallet: Q.ty	Pallet: Weight

Ref	Description	Fam.	Subfam.	Disp. Stock	
FBS0540	MWG FILTER HOUSING MOD. FBS 5x40" AISI 316L- 2"M	040	115	•	
FBS0540FL	MWG FILTER HOUSING MOD. FBS 5x40" AISI 316L- DN 50	040	115		

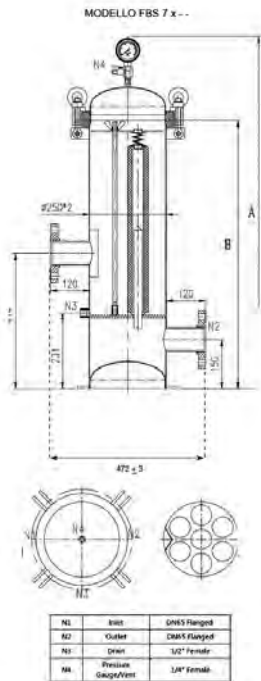
Ref	In/Out Connections	A (mm)	B (mm)
FBS0540	2" BSP M	1553	1296
FBS0540FL	DN50 Flange	1553	1296

Box: WxLxH	Box: Q.ty	Box: Weight	Pallet: WxLxH	Pallet: Q.ty	Pallet: Weight

Certificates	Manufacturer	Sectors
DM174-2004 CE	MWG	Industrial



MWG AISI 316L Filter Housings



- Multicartridges filter housings flanged top opening AISI 316L for 7 cartridges, In/Out connections 2 ½" BSP M or DN65 flange;
- ½" BSP F connection for drain filter;
- ¼" BSP F connection for air valve pressure gauge;
- High resistance and strength electrowelded construction, complete with AISI 316 fixing cartridges accessories, mechanical polishing outside treatment;
- European 2014/68/EU Directive compliant for pressure equipment (PED);
- Max pressure @ 20°C = 10 bar; Max pressure @ 40°C = 9 bar; Max pressure @ 80°C = 8 bar;
- Hydraulic test pressure = 12 bar;
- Max temperature 80 °C;
- Gasket material EPDM (option in Viton not included, to order separately);
- Suitable for DOE cartridges;
- Cartridges dimensions: ID min/max 28÷30 mm, OD max 65 mm and length 20"- 30"- 40".
- **WARNING!** For these housings the suitable Carbon Block cartridges are FA018 and FA019.
- The FA013 and FA014 cartridges of our catalogue are not suitable for these housings.

Ref	Description	Fam.	Subfam.	Disp. Stock	
FBS0720	MWG FILTER HOUSING MOD. FBS 7x20" AISI 316L- 2.5" M	040	115		
FBS0720FL	MWG FILTER HOUSING MOD. FBS 7x20" AISI 316L- DN 65	040	115	•	

Ref	In/Out Connections	A (mm)	B (mm)
FBS0720	2½" BSP M	1079	822
FBS0720FL	DN65 Flange	1079	822

Box: WxLxH	Box: Q.ty	Box: Weight	Pallet: WxLxH	Pallet: Q.ty	Pallet: Weight

Ref	Description	Fam.	Subfam.	Disp. Stock	
FBS0730	MWG FILTER HOUSING MOD. FBS 7x30" AISI 316L- 2.5" M	040	115		
FBS0730FL	MWG FILTER HOUSING MOD. FBS 7x30" AISI 316L- DN 65	040	115	•	

Ref	In/Out Connections	A (mm)	B (mm)
FBS0730	2½" BSP M	1076	1333
FBS0730FL	DN65 Flange	1076	1333

Box: WxLxH	Box: Q.ty	Box: Weight	Pallet: WxLxH	Pallet: Q.ty	Pallet: Weight

Ref	Description	Fam.	Subfam.	Disp. Stock	
FBS0740	MWG FILTER HOUSING MOD. FBS 7x40" AISI 316L- 2.5" M	040	115		
FBS0740FL	MWG FILTER HOUSING MOD. FBS 7x40" AISI 316L- DN 65	040	115	•	

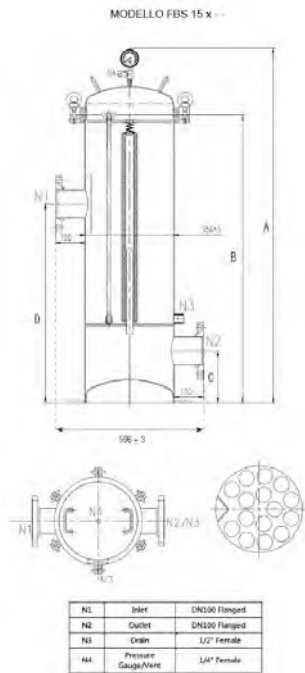
Ref	In/Out Connections	A (mm)	B (mm)
FBS0740	2½" BSP M	1330	1587
FBS0740FL	DN65 Flange	1330	1587

Box: WxLxH	Box: Q.ty	Box: Weight	Pallet: WxLxH	Pallet: Q.ty	Pallet: Weight

Certificates	Manufacturer	Sectors
DM174-2004 CE	MWG	Industrial



MWG AISI 316L Filter Housings



- Multicartridges filter housings flanged top opening AISI 316L for 15 cartridges, In/Out connections DN100;
- 1/2" BSP F connection for drain filter;
- 1/4" BSP F connection for air valve pressure gauge;
- High resistance and strength electrowelded construction, complete with AISI 316 fixing cartridges accessories, mechanical polishing outside treatment;
- European 2014/68/EU Directive compliant for pressure equipment (PED);
- Max pressure @ 20°C = 10 bar; Max pressure @ 40°C = 9 bar; Max pressure @ 80°C = 8 bar;
- Hydraulic test pressure = 12 bar;
- Max temperature 80 °C;
- Gasket material EPDM (option in Viton not included, to order separately);
- Suitable for DOE cartridges;
- Cartridges dimensions: ID min/max 28÷30 mm, OD max 65 mm and length 30" - 40".
- **WARNING!** For these housings the suitable Carbon Block cartridges are FA018 and FA019.
- The FA013 and FA014 cartridges of our catalogue are not suitable for these housings.

Ref	Description	Fam.	Subfam.	Disp. Stock	
FBS1530FL	MWG FILTER HOUSING MOD. FBS 15x30" AISI 316L- DN 100	040	115	•	
FBS1540FL	MWG FILTER HOUSING MOD. FBS 15x40" AISI 316L- DN 100	040	115	•	

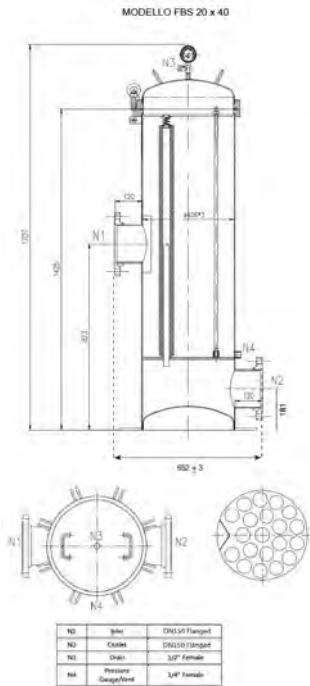
Ref	A (mm)	B (mm)	C (mm)	D (mm)
FBS1530FL	1437	1166	211	806
FBS1540FL	1661	1390	181	1030

Box: WxLxH	Box: Q.ty	Box: Weight	Pallet: WxLxH	Pallet: Q.ty	Pallet: Weight

Certificates	Manufacturer	Sectors
DM174-2004 CE	MWG	Industrial



MWG AISI 316L Filter Housings



- Multicartridges filter housings flanged top opening AISI 316L for 20 cartridges, In/Out connections DN150;
- 1/2" BSP F connection for drain filter;
- 3/4" BSP F connection for air valve pressure gauge;
- High resistance and strength electrowelded construction, complete with AISI 316 fixing cartridges accessories, mechanical polishing outside treatment;
- European 2014/68/EU Directive compliant for pressure equipment (PED);
- Max pressure @ 20°C = 10 bar; Max pressure @ 40°C = 9 bar; Max pressure @ 80°C = 8 bar;
- Hydraulic test pressure = 12 bar;
- Max temperature 80 °C;
- Gasket material EPDM (option in Viton not included, to order separately);
- Suitable for DOE cartridges;
- Cartridges dimensions: ID min/max 28÷30 mm, OD max 65 mm and length 40".
- **WARNING!** For these housings the suitable Carbon Block cartridges are FA018 and FA019.
- The FA013 and FA014 cartridges of our catalogue are not suitable for these housings.

Ref	Description	Fam.	Subfam.	Disp. Stock	
FBS2040FL	MWG FILTER HOUSING MOD. FBS20X40" AISI 316L-DN150	040	115	•	

Box: WxLxH	Box: Q.ty	Box: Weight	Pallet: WxLxH	Pallet: Q.ty	Pallet: Weight

Certificates	Manufacturer	Sectors
DM174-2004 CE	MWG	Industrial



AISI 316L Filter Housings



- Multicartridges filter housings flanged top opening AISI 316L for 3 cartridges, support legs, In/Out connections 2" BSP M or DN50 flange;
- Two 1/2" BSP connections for air valve pressure gauge and for drain filter;
- High resistance and strength electrowelded construction, complete with AISI 316L fixing cartridges accessories, glass blasted internal and outside treatment;
- European 2014/68/EU Directive compliant for pressure equipment (PED);
- Max operating pressure @ 40°C = 8 bar; Max operating pressure @ 80°C = 2 bar;
- Hydraulic test pressure = 12 bar;
- Max operating temperature 80 °C;
- Gasket material EPDM;
- Suitable for DOE cartridges;
- Cartridges dimensions: ID min/max 26÷30 mm, OD max 65 mm and length 20"- 30"- 40"
- **WARNING!** For these housings the suitable Carbon Block cartridges are FA018 and FA019.
- The FA013 and FA014 cartridges of our catalogue are not suitable for these housings.

Ref	Description	Fam.	Subfam.	Disp. Stock
FB040	FILTER HOUSING MOD. CFH 3X20" AISI 316L-2" M	040	108	
FB040A	FILTER HOUSING MOD. CFH 3X20" AISI 316L-DN 50	040	108	

Ref	In/Out Connections	A (mm)	Weight (kg)
FB040	2" BSP M	1200	20
FB040A	DN50 Flange	1200	22

Box: WxLxH	Box: Q.ty	Box: Weight	Pallet: WxLxH	Pallet: Q.ty	Pallet: Weight

Ref	Description	Fam.	Subfam.	Disp. Stock
FB041	FILTER HOUSING MOD. CFH 3X30" AISI 316L-2" M	040	108	
FB041A	FILTER HOUSING MOD. CFH 3X30" AISI 316L-DN 50	040	108	

Ref	In/Out Connections	A (mm)	Weight (kg)
FB041	2" BSP M	1500	21
FB041A	DN50 Flange	1500	23

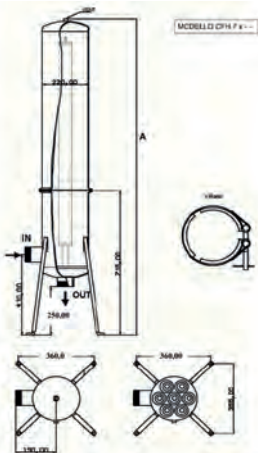
Box: WxLxH	Box: Q.ty	Box: Weight	Pallet: WxLxH	Pallet: Q.ty	Pallet: Weight

Ref	Description	Fam.	Subfam.	Disp. Stock
FB041/1	FILTER HOUSING MOD. CFH 3X40" AISI 316L-2" M	040	108	
FB041/1A	FILTER HOUSING MOD. CFH 3X40" AISI 316L-DN 50	040	108	

Ref	In/Out Connections	A (mm)	Weight (kg)
FB041/1	2" BSP M	1600	22
FB041/1A	DN50 Flange	1600	24

Box: WxLxH	Box: Q.ty	Box: Weight	Pallet: WxLxH	Pallet: Q.ty	Pallet: Weight

Certificates	Manufacturer	Sectors
DM174-2004 CE		Industrial





AISI 316L Filter Housings



- Multicartridges filter housings flanged top opening AISI 316L for 7 cartridges, support legs, In/Out connections 2 1/2" BSP M or DN65 flange;
- Two 1/2" BSP connections for air valve pressure gauge and for drain filter;
- High resistance and strength electrowelded construction, complete with AISI 316L fixing cartridges accessories, glass blasted internal and outside treatment;
- European 2014/68/EU Directive compliant for pressure equipment (PED);
- Max operating pressure @ 40°C = 8 bar; Max operating pressure @ 80°C = 2 bar;
- Hydraulic test pressure = 12 bar;
- Max operating temperature 80 °C;
- Gasket material EPDM;
- Suitable for DOE cartridges;
- Cartridges dimensions: ID min/max 26÷30 mm, OD max 65 mm and length 20"- 30"- 40".
- **WARNING!** For these housings the suitable Carbon Block cartridges are FA018 and FA019.
- The FA013 and FA014 cartridges of our catalogue are not suitable for these housings.

Ref	Description	Fam.	Subfam.	Disp. Stock	
FB042	FILTER HOUSING MOD. CFH 7X20" AISI 316L-2,1/2" M	040	108		
FB042A	FILTER HOUSING MOD. CFH 7X20" AISI 316L-DN 65	040	108		

Ref	In/Out Connections	A (mm)	Weight (kg)
FB042	2 1/2" BSP M	1190	27
FB042A	DN65 Flange	1190	30

Box: WxLxH	Box: Q.ty	Box: Weight	Pallet: WxLxH	Pallet: Q.ty	Pallet: Weight

Ref	Description	Fam.	Subfam.	Disp. Stock	
FB043	FILTER HOUSING MOD. CFH 7X30" AISI 316L-2,1/2" M	040	108		
FB043A	FILTER HOUSING MOD. CFH 7X30" AISI 316L-DN 65	040	108		

Ref	In/Out Connections	A (mm)	Weight (kg)
FB043	2 1/2" BSP M	1495	29
FB043A	DN65 Flange	1495	32

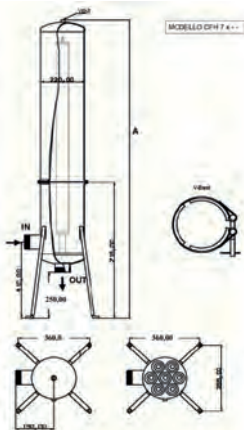
Box: WxLxH	Box: Q.ty	Box: Weight	Pallet: WxLxH	Pallet: Q.ty	Pallet: Weight

Ref	Description	Fam.	Subfam.	Disp. Stock	
FB044	FILTER HOUSING MOD. CFH 7X40" AISI 316L-2,1/2" M	040	108		
FB044A	FILTER HOUSING MOD. CFH 7X40" AISI 316L-DN 65	040	108		

Ref	In/Out Connections	A (mm)	Weight (kg)
FB044	2 1/2" BSP M	1610	34
FB044A	DN65 Flange	1610	37

Box: WxLxH	Box: Q.ty	Box: Weight	Pallet: WxLxH	Pallet: Q.ty	Pallet: Weight

Certificates	Manufacturer	Sectors
DM174-2004 CE		Industrial

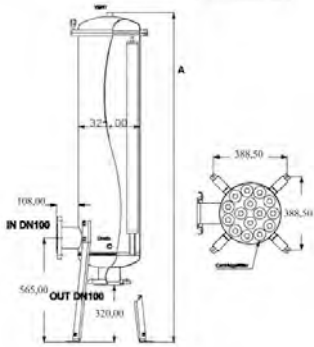




AISI 316L Filter Housings



MODELLO CFH 15 x ...



- Multicartridges filter housings flanged top opening AISI 316L for 15 cartridges, support legs, In/Out connections DN100;
- Two ½" BSP connections for air valve pressure gauge and for drain filter;
- High resistance and strength electrowelded construction, complete with AISI 316L fixing cartridges accessories, glass blasted internal and outside treatment;
- European 2014/68/EU Directive compliant for pressure equipment (PED);
- Max operating pressure @ 40°C = 8 bar; Max operating pressure @ 80°C = 2 bar;
- Hydraulic test pressure = 12 bar;
- Max operating temperature 80 °C;
- Gasket material EPDM;
- Suitable for DOE cartridges;
- Cartridges dimensions: ID min/max 26÷30 mm, OD max 65 mm and length 30"- 40".
- **WARNING!** For these housings the suitable Carbon Block cartridges are FA018 and FA019.
- The FA013 and FA014 cartridges of our catalogue are not suitable for these housings.

Ref	Description	Fam.	Subfam.	Disp. Stock	
FB046	FILTER HOUSING MOD. CFH 15X40" AISI 316L-DN 100	040	108		

Ref	Description	A (mm)	Weight (kg)
FB046	FILTER HOUSING MOD. CFH 15X40" AISI 316L-DN 100	1750	80

Box: WxLxH	Box: Q.ty	Box: Weight	Pallet: WxLxH	Pallet: Q.ty	Pallet: Weight

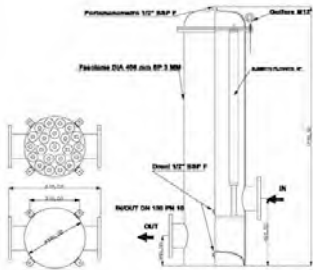
Certificates	Manufacturer	Sectors
DM174-2004 CE		Industrial



AISI 316L Filter Housings



MODELLO CHB 22 v.01



- Multicartridges filter housings flanged top opening AISI 316L for 22 cartridges, In/Out connections DN150;
- Three 1/2" BSP connections for air valve pressure gauge and for drain filter;
- High resistance and strength electrowelded construction, complete with AISI 316L fixing cartridges accessories, glass blasted internal and outside treatment;
- European 2014/68/EU Directive compliant for pressure equipment (PED);
- Max operating pressure @ 40°C = 8 bar; Max operating pressure @ 80°C = 2 bar;
- Hydraulic test pressure = 12 bar;
- Max operating temperature 80 °C;
- Gasket material EPDM;
- Suitable for DOE cartridges;
- Cartridges dimensions: ID min/max 26÷30 mm, OD max 65 mm and length 40".
- **WARNING!** For these housings the suitable Carbon Block cartridges are FA018 and FA019.
- The FA013 and FA014 cartridges of our catalogue are not suitable for these housings.

Ref	Description	Fam.	Subfam.	Disp. Stock	
FB046/1	FILTER HOUSING MOD. CFH 2X40" AISI 316L-DN 150	040	108		

Ref	Description	Weight (kg)
FB046/1	FILTER HOUSING MOD. CFH 2X40" AISI 316L-DN 150	138

Box: WxLxH	Box: Q.ty	Box: Weight	Pallet: WxLxH	Pallet: Q.ty	Pallet: Weight

Certificates	Manufacturer	Sectors
DM174-2004 CE		Industrial



Chemical High Resistance PVC-U Multicartridges Filter Housings HPCF Series



- PVC-U multicartridges filter housings for 5 cartridges flanged top opening;
- With three pieces in / out female socket weld connections;
- With two 1/4" threaded connections for air valve pressure gauges and for drain filter;
- All filter housing internal material and all internal spare parts are in PVC-U for high chemical corrosion resistance;
- Opening gasket in EPDM material;
- Connection gasket in EPDM material;
- With aeration valve and pressure gauge;
- European 2014/68/EU Directive compliant for pressure equipment (PED);
- Design pressure = 6,0 bar @ 25°C;
- Hydraulic test pressure = 7,8 bar;
- Max Δp = 1,4 bar;
- Operating temperature = 5 ÷ 40 °C;
- In/Out connections DN50 / D. 63 mm;
- Suitable for DOE cartridges;
- Cartridges dimensions: ID 28±30 mm, OD 65 mm and length 20"- 30"- 40".
- **WARNING!** The FA013 and FA014 cartridges of our catalogue are not suitable for these housings.

Ref	Description	Fam.	Subfam.	Disp. Stock	
FB560	MULTICARTRIDGE PVC-U FILTER HOUSING HPCF/B-5DC2 D.63 MM	040	108	•	

Ref	Cartridges Number	Weight (kg)	Capacity (Liters)	Nominal Flow Rate (lpm)
FB560	n.5 2,5" x 20"	11,0	20,6	300

Box: WxLxH	Box: Q.ty	Box: Weight	Pallet: WxLxH	Pallet: Q.ty	Pallet: Weight

Ref	A	C	D	E	I	K	L	M	N1 N2	N3
FB560	75	730	225	482	10	187,5	186	290	63	G 1/4"
FB561	75	980	225	482	10	187,5	186	290	63	G 1/4"
FB562	75	1230	225	482	10	187,5	186	290	63	G 1/4"

Ref	Description	Fam.	Subfam.	Disp. Stock	
FB561	MULTICARTRIDGE PVC-U FILTER HOUSING HPCF/B-5DC3 D.63 MM	040	108	•	

Ref	Cartridges Number	Weight (kg)	Capacity (Liters)	Nominal Flow Rate (lpm)
FB561	n.5 2,5" x 30"	12,7	29,4	300

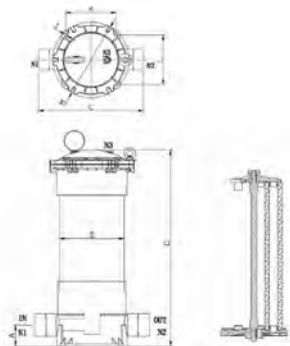
Box: WxLxH	Box: Q.ty	Box: Weight	Pallet: WxLxH	Pallet: Q.ty	Pallet: Weight

Ref	Description	Fam.	Subfam.	Disp. Stock	
FB562	MULTICARTRIDGE PVC-U FILTER HOUSING HPCF/B-5DC4 D.63 MM	040	108	•	

Ref	Cartridges Number	Weight (kg)	Capacity (Liters)	Nominal Flow Rate (lpm)
FB562	n.5 2,5" x 40"	14,4	38,2	300

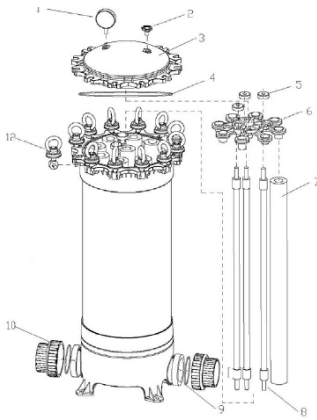
Box: WxLxH	Box: Q.ty	Box: Weight	Pallet: WxLxH	Pallet: Q.ty	Pallet: Weight

Certificates	Manufacturer	Sectors
CE	MWG	Industrial





Chemical High Resistance PVC-U Multicartridges Filter Housings HPCF Series



Spare Parts

Ref	Description	Fam.	Subfam.	Disp. Stock	
FB366	PURGE CAP	040	107	•	
FB367	MANOMETER 0-10 BAR 1/4"	040	107	•	
FB580	FLANGED TOP COVER 225 HPCF/PF/HXP + PURGE CAP + O-RING	040	108	•	
FB363	EPDM CLOSURE O-RING HPCF-PF-HXP 225	040	107	•	
FB574	CLOSURE CARTRIDGE NUT	040	108	•	
FB578	5DC CARTRIDGE FIXING STAR	040	108	•	
	Cartridges (not included)				
FB575	20" ROD	040	108	•	
FB576	30" ROD	040	108	•	
FB577	40" ROD	040	108	•	
FB371	T GASKET D.63 FOR HPCF FILTER	040	107	•	
FB572	SINGOL MANIFOLD KIT D. 63 MM W/O-RING	040	108	•	
FB364	AISI BOLT KIT M10	040	107	•	

Item	Ref	Description	Q.TY	Material
1	FB366	PURGE CAP	1	
2	FB367	MANOMETER 0-10 BAR 1/4"	1	
1+3+4	FB580	FLANGED TOP COVER 225 HPCF/PF/HXP + PURGE CAP + O-RING	1	
4	FB363	EPDM CLOSURE O-RING HPCF-PF-HXP 225	1	EPDM
5	FB574	CLOSURE CARTRIDGE NUT	3	
6	FB578	5DC CARTRIDGE FIXING STAR	1	
7		Cartridges (not included)		
8	FB575	20" ROD	1	
8	FB576	30" ROD	1	
8	FB577	40" ROD	1	
10	FB371	T GASKET D.63 FOR HPCF FILTER	2	
9+10	FB572	SINGOL MANIFOLD KIT D. 63 MM W/O-RING	2	
11	FB364	AISI BOLT KIT M10	6	AISI



Chemical High Resistance PVC-U Multicartridges Filter Housings HPCF Series



- PVC-U multicartridges filter housings for 9 cartridges flanged top opening;
- With three pieces in / out female socket weld connections;
- With two 1/4" threaded connections for air valve pressure gauges and for drain filter;
- All filter housing internal material and all internal spare parts are in PVC-U for high chemical corrosion resistance;
- Opening gasket in EPDM material;
- Connection gasket in EPDM material;
- With aeration valve and pressure gauge;
- European 2014/68/EU Directive compliant for pressure equipment (PED);
- Design pressure = 6,0 bar @ 25°C;
- Hydraulic test pressure = 7,8 bar;
- Max Δp = 1,4 bar;
- Operating temperature = 5 ÷ 40 °C;
- In/Out connections DN80 / D. 90 mm;
- 1" BSPT M (+ F 20 mm to glue) drain connection;
- Suitable for DOE cartridges;
- Cartridges dimensions: ID 28÷30 mm, OD 65 mm and length 20"- 30"- 40".
- **WARNING!** The FA013 and FA014 cartridges of our catalogue are not suitable for these housings.

Ref	Description	Fam.	Subfam.	Disp. Stock
FB564	MULTICARTRIDGE PVC-U FILTER HOUSING HPCF/B-9DC2 D.90 MM	040	108	●

Ref	Cartridges Number	Weight (kg)	Capacity (Liters)	Nominal Flow Rate (lpm)
FB564	n.9 2,5" x 20"	20,0	39,7	250

Box: WxLxH	Box: Q.ty	Box: Weight	Pallet: WxLxH	Pallet: Q.ty	Pallet: Weight

Ref	A	C	D	E	I	J	K	L	M	N1 N2	N3	N4
FB564	69	765	315	520	9	15	276	249	372	90	G 1/4"	1"
FB565	69	1015	315	520	9	15	276	249	372	90	G 1/4"	1"
FB566	69	1265	315	520	9	15	276	249	372	90	G 1/4"	1"

Ref	Description	Fam.	Subfam.	Disp. Stock
FB565	MULTICARTRIDGE PVC-U FILTER HOUSING HPCF/B-9DC3 D.90 MM	040	108	●

Ref	Cartridges Number	Weight (kg)	Capacity (Liters)	Nominal Flow Rate (lpm)
FB565	n.9 2,5" x 30"	23,0	57,0	350

Box: WxLxH	Box: Q.ty	Box: Weight	Pallet: WxLxH	Pallet: Q.ty	Pallet: Weight

Ref	Description	Fam.	Subfam.	Disp. Stock
FB566	MULTICARTRIDGE PVC-U FILTER HOUSING HPCF/B-9DC4 D.90 MM	040	108	●

Ref	Cartridges Number	Weight (kg)	Capacity (Liters)	Nominal Flow Rate (lpm)
FB566	n.9 2,5" x 40"	26,0	74,3	550

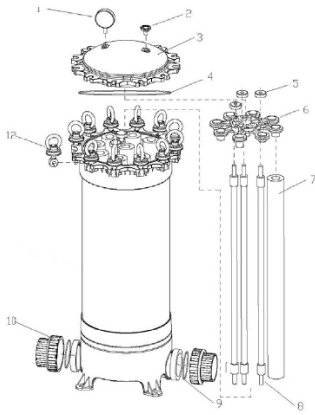
Box: WxLxH	Box: Q.ty	Box: Weight	Pallet: WxLxH	Pallet: Q.ty	Pallet: Weight

Certificates	Manufacturer	Sectors
CE	MWG	Industrial





Chemical High Resistance PVC-U Multicartridges Filter Housings HPCF Series



Spare Part

Ref	Description	Fam.	Subfam.	Disp. Stock	
FB367	MANOMETER 0-10 BAR 1/4"	040	107	•	
FB366	PURGE CAP	040	107	•	
FB581	FLANGED TOP COVER 325 HPCF + PURGE CAP + O-RING	040	108	•	
FB571	EPDM CLOSURE O-RING HPCF 315	040	108	•	
FB574	CLOSURE CARTRIDGE NUT	040	108	•	
FB579	9DC CARTRIDGE FIXING STAR	040	108	•	
	Cartridge (not included)				
FB575	20" ROD	040	108	•	
FB576	30" ROD	040	108	•	
FB577	40" ROD	040	108	•	
FB583	T GASKET D.90 FOR HPCF FILTER	040	108	•	
FB573	SINGOL MANIFOLD KIT D. 90 MM W/O-RING	040	108	•	
FB582	AISI BOLT KIT M12	040	108	•	

Item	Ref	Description	Q.TA'	Materiale
1	FB367	MANOMETER 0-10 BAR 1/4"	1	
2	FB366	PURGE CAP	1	
2+3+4	FB581	FLANGED TOP COVER 325 HPCF + PURGE CAP + O-RING	1	
4	FB571	EPDM CLOSURE O-RING HPCF 315	1	EPDM
5	FB574	CLOSURE CARTRIDGE NUT	3	
6	FB579	9DC CARTRIDGE FIXING STAR	1	
7		Cartridge (not included)		
8	FB575	20" ROD		
8	FB576	30" ROD	3	
8	FB577	40" ROD	3	
9	FB583	T GASKET D.90 FOR HPCF FILTER	3	
9+10	FB573	SINGOL MANIFOLD KIT D. 90 MM W/O-RING	2	
12	FB582	AISI BOLT KIT M12	12	AISI



High Flow PVC-U Single Cartridge Filter Housings PF Series



- PVC-U single cartridge filter housings, with flanged top opening, support legs, in/out female socket weld connections and two ¼" threaded connections for air valve pressure gauges and for drain filter;
- all filter housing internal material and all internal spare parts are in PVC-U for high chemical corrosion resistance;
- opening gasket in EPDM material;
- connection gasket in EPDM material;
- with aeration valve and pressure gauge;
- European 2014/68/EU Directive compliant for pressure equipment (PED);
- design pressure = 7,0 bar @ 25°C;
- hydraulic test pressure = 9,1 bar;
- max Δp = 1,4 bar;
- operating temperature = 5 ÷ 40 °C;
- In/Out flanged connections DN50;
- suitable for high flow "special pleated cartridges";
- cartridges dimensions: 6" x 20" and 6" x 40".

Ref	Description	Fam.	Subfam.	Disp. Stock
FB360	SINGLE CARTRIDGE PVC-U FILTER HOUSING PF20 DN50	040	107	•

Ref	Cartridges Number	Weight (kg)	Capacity (Liters)	Nominal Flow Rate (lpm)
FB360	n. 6" x 20"	18,0	24,8	300

Box: WxLxH	Box: Q.ty	Box: Weight	Pallet: WxLxH	Pallet: Q.ty	Pallet: Weight

Certificates	Manufacturer	Sectors
CE	MWG	Industrial

Ref	Description	Fam.	Subfam.	Disp. Stock
FB361	SINGLE CARTRIDGE PVC-U FILTER HOUSING PF40 DN50	040	107	•

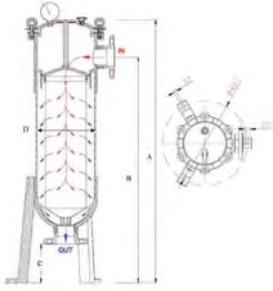
Ref	Cartridges Number	Weight (kg)	Capacity (Liters)	Nominal Flow Rate (lpm)
FB361	n. 6" x 40"	22,3	41,0	300

Box: WxLxH	Box: Q.ty	Box: Weight	Pallet: WxLxH	Pallet: Q.ty	Pallet: Weight

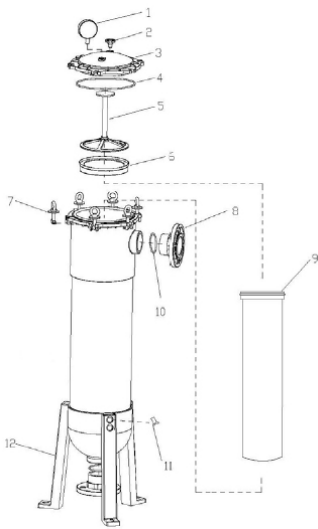
Certificates	Manufacturer	Sectors
CE	MWG	Industrial



High Flow PVC-U Single Cartridge Filter Housings PF Series



Ref	A	B	C	D
FB360	1070	905	165	225
FB361	1560	1395	165	225



Spare parts

Ref	Description	Fam.	Sotto Fam.	Disp. Stock	
FB367	MANOMETRO 0-10 BAR 1/4"	040	107	•	
FB366	TAPPO SFIATO	040	107	•	
FB580	CALOTTA SUPERIORE FLANGIATA 225 HPCF/PF/HXP + SFIATO + O-RING	040	108	•	
FB363	O-RING CHIUSURA HPCF-PF-HXP 225 EPDM	040	107	•	
FB368	DISTANZIALE PVC	040	107	•	
FB359	ANELLO TENUTA CARTUCCIA 6" FILTRI PF	040	107	•	
FB364	BOLT KIT M10 AISI	040	107	•	
FB370	FLANGIA DN50	040	107	•	
	Monocartuccia (non compresa nella fornitura)				
FB362	O-RING FLANGIA 2"	040	107	•	
FB374	VITE DI FISSAGGIO ZAMPA DI SOSTEGNO	040	107	•	
FB373	ZAMPA DI SOSTEGNO	040	107	•	

Rif.N.	Ref	Description	Q.TY'	Material
1	FB367	MANOMETRO 0-10 BAR 1/4"	1	
2	FB366	TAPPO SFIATO	1	
2+3+4	FB580	CALOTTA SUPERIORE FLANGIATA 225 HPCF/PF/HXP + SFIATO + O-RING	1	
4	FB363	O-RING CHIUSURA HPCF-PF-HXP 225 EPDM	1	EPDM
5	FB368	DISTANZIALE PVC	1	PVC
6	FB359	ANELLO TENUTA CARTUCCIA 6" FILTRI PF	1	
7	FB364	BOLT KIT M10 AISI	6	AISI
8	FB370	FLANGIA DN50	2	
9		Monocartuccia (non compresa nella fornitura)		
10	FB362	O-RING FLANGIA 2"	2	
11	FB374	VITE DI FISSAGGIO ZAMPA DI SOSTEGNO	6	
12	FB373	ZAMPA DI SOSTEGNO	3	



High Flow PVC-U Single Cartridge Filter Housings PF Series



Cartridge to coupling

- high flow "special pleated cartridges" single open-ended;
- filter media and support in PP, o-ring seal in EPDM;
- end caps in fiberglass reinforced PP;
- inside to outside flow pattern;
- external diameter = 6" (152 mm);
- recommended maximum ΔP 1,0 bar at 20°C.

Ref	Description	Fam.	Subfam.	Disp. Stock	
FB376	PLEATED CARTRIDGE PP DLHF620PP4.5E	040	107	•	
FB379	PLEATED CERTRIDGE PP DLHF620PP20E	040	107	•	
FB381	PLEATED CARTRIDGE PP DLHF620PP70E	040	107	•	
FB382	PLEATED CARTRIDGE PP DLHF620PP100E	040	107	•	

Ref	Lenght (inch)	Micron	Nominal Flow Rate (lpm)
FB376	20"	4,5	660
FB379	20"	20	660
FB381	20"	70	660
FB382	20"	100	660

Box: WxLxH	Box: Q.ty	Box: Weight	Pallet: WxLxH	Pallet: Q.ty	Pallet: Weight

Certificates	Manufacturer	Sectors
	MWG	Industrial

Ref	Description	Fam.	Subfam.	Disp. Stock	
FB386	PLEATED CARTRIDGE PP DLHF640PP4.5E	040	107	•	
FB389	PLEATED CARTRIDGE PP DLHF640PP20E	040	107	•	
FB391	PLEATED CARTRIDGE PP DLHF640PP70E	040	107	•	
FB392	PLEATED CARTRIDGE PP DLHF640PP100E	040	107	•	

Ref	Lenght (inch)	Micron	Nominal Flow Rate (lpm)
FB386	40"	4,5	1300
FB389	40"	20	1300
FB391	40"	70	1300
FB392	40"	100	1300

Box: WxLxH	Box: Q.ty	Box: Weight	Pallet: WxLxH	Pallet: Q.ty	Pallet: Weight

Certificates	Manufacturer	Sectors
	MWG	Industrial



PVC-U Bag Filter System



- PVC-U bag filter housings, with flanged top opening, support legs, in/out female socket weld connections and two 1/4" threaded connections for air valve pressure gauges and for drain filter;
- all filter housing internal material and all internal spare parts are in PVC-U for high chemical corrosion resistance;
- Opening gasket in EPDM material;
- Connection gasket in EPDM material;
- With aeration valve and pressure gauge;
- European 2014/68/EU Dir. compliant for pressure equipment (PED);
- Nominal flow rate = 300 lpm;
- Design pressure = 7,0 bar @ 25°C;
- Hydraulic test pressure = 9,1 bar;
- Max Δp = 1,0 bar;
- Operating temperature = 5 ÷ 40 °C;
- In/Out flanged connections DN50;
- Suitable for bag filter;
- Bag filters dimensions: 7" x 16" and 7" x 32".

Ref	Description	Fam.	Subfam.	Disp. Stock	
FB355	BAG FILTER HOUSING PVC-U MOD. HXP-BF-1-1-B DN50	040	107	•	

Ref	Bag Size	Weight (kg)	Capacity (Litres)	Nominal Flow Rate
FB355	7" x 16"	15	17	300

Box: WxLxH	Box: Q.ty	Box: Weight	Pallet: WxLxH	Pallet: Q.ty	Pallet: Weight

Ref	Description	Fam.	Subfam.	Disp. Stock	
FB356	BAG FILTER HOUSING PVC-U MOD. HXP-BF-1-2-B DN50	040	107	•	

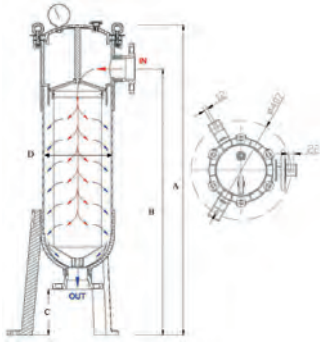
Ref	Bag Size	Weight (kg)	Capacity (Liters)	Nominal Flow Rate
FB356	7" x 32"	20	30	300

Box: WxLxH	Box: Q.ty	Box: Weight	Pallet: WxLxH	Pallet: Q.ty	Pallet: Weight

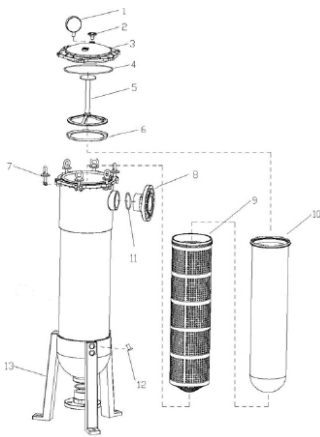
Certificates	Manufacturer	Sectors
CE	MWG	Industrial



PVC-U Bag Filter System



Ref	C	D	H	L
FB355	165	225	845	685
FB356	165	225	1225	1065



Spare Parts

Ref	Description	Fam.	Subfam.	Disp. Stock	
FB367	MANOMETER 0-10 BAR 1/4"	040	107	•	
FB366	PURGE CAP	040	107	•	
FB580	FLANGED TOP COVER 225 HPCF/PF/HXP + PURGE CAP + O-RING	040	108	•	
FB363	EPDM CLOSURE O-RING HPCF-PF-HXP 225	040	107	•	
FB368	PVC SPACER	040	107	•	
FB359A	HXP-BF FILTER BAG SEAL RING	040	107	•	
FB364	AISI BOLT KIT M10	040	107	•	
FB370	DN50 FLANGE	040	107	•	
FB383	PVC 16" FILTER SUPPORT ARMOR	040	107	•	
FB383A	PVC 32" FILTER SUPPORT ARMOR	040	107	•	
	Bag Filter (not included)				
FB362	2" FLANGE O-RING	040	107	•	
FB374	SUPPORT LEG FIXING SCREW	040	107	•	
FB373	SUPPORT LEG	040	107	•	

Rif. N.	Ref	Description	Q.ty	Materiale
1	FB367	MANOMETER 0-10 BAR 1/4"	1	
2	FB366	PURGE CAP	1	
2+3+4	FB580	FLANGED TOP COVER 225 HPCF/PF/HXP + PURGE CAP + O-RING	1	
4	FB363	EPDM CLOSURE O-RING HPCF-PF-HXP 225	1	EPDM
5	FB368	PVC SPACER	1	PVC
6	FB359A	HXP-BF FILTER BAG SEAL RING	1	
7	FB364	AISI BOLT KIT M10	6	AISI
8	FB370	DN50 FLANGE	2	
9	FB383	PVC 16" FILTER SUPPORT ARMOR	1	PVC
9	FB383A	PVC 32" FILTER SUPPORT ARMOR	1	PVC
10		Bag Filter (not included)		
11	FB362	2" FLANGE O-RING	2	
12	FB374	SUPPORT LEG FIXING SCREW	6	
13	FB373	SUPPORT LEG	3	



PVC-U Bag Filter System

PVC-U Bag Filter System

- Inside to outside flow pattern;
- In PP material;
- External diameter = 7" (178 mm);
- Recommended maximum $\Delta p = 1,0$ bar at 20°C.

Ref	Description	Fam.	Subfa m.	Disp. Stock	
FB357A	BAG FILTER LENGHT 16" - 1 MICRON	040	107	•	
FB357B	BAG FILTER LENGHT 16" - 5 MICRON	040	107	•	
FB357C	BAG FILTER LENGHT 16" - 10 MICRON	040	107	•	
FB357D	BAG FILTER LENGHT 16" - 25 MICRON	040	107	•	
FB357E	BAG FILTER LENGHT 16" - 50 MICRON	040	107	•	
FB357F	BAG FILTER LENGHT 16" - 100 MICRON	040	107	•	

Ref	Lenght	Micron	Nominal Flow Rate (lpm)
FB357A	16"	1	330
FB357B	16"	5	330
FB357C	16"	10	330
FB357D	16"	25	330
FB357E	16"	50	330
FB357F	16"	100	330

Ref	Description	Fam.	Subfa m.	Disp. Stock	
FB358A	BAG FILTER LENGHT 32" - 1 MICRON	040	107	•	
FB358B	BAG FILTER LENGHT 32" - 5 MICRON	040	107	•	
FB358C	BAG FILTER LENGHT 32" - 10 MICRON	040	107	•	
FB358D	BAG FILTER LENGHT 32" - 25 MICRON	040	107	•	
FB358E	BAG FILTER LENGHT 32" - 50 MICRON	040	107	•	
FB358F	BAG FILTER LENGHT 32" - 100 MICRON	040	107	•	

Ref	Lenght (inch)	Micron	Nominal Flow Rate (lpm)
FB358A	32"	1	660
FB358B	32"	5	660
FB358C	32"	10	660
FB358D	32"	25	660
FB358E	32"	50	660
FB358F	32"	100	660

Certificates	Manufacturer	Sectors
CE	MWG	Industrial



High Flow Single 20" Cartridge MWG EuroFlow Filter Housings EF Series



- Single cartridge filter housings with fiberglass reinforced plastic pressure vessels;
- White painted, UVA-ray proof material;
- Suitable for industrial applications, for high chemical corrosion resistance;
- Compact and modular design;
- Ease of installation and maintenance;
- O-ring in EPDM;
- Max operating pressure 150 psi (10 bar);
- Max $\Delta p = 2$ bar;
- Operating temperature $5 \div 49$ °C;
- Operating pH range $3 \div 11$;
- With 3" DN80 Victaulic In/Out coupling connections and stub pipes in PVC-U PN = 4 bar;
- Straps and saddles included;
- 2014/68/EU Directive compliant for pressure equipment (PED);
- Suitable for high flow "special pleated cartridges", with guiding ring;
- Cartridges dimensions: 6" x 20".

Ref	Description	Fam.	Subfam.	Disp. Stock	
FBEF20S3	MWG FILTER HOUSING EUROFLOW MONOCART.20" FRP 150PSI SP 3" VICT.	040	114	•	

Ref	Cartridges Number	Weight (kg)	Capacity (Liters)	Nominal Flow Rate (lpm)
FBEF20S3	n.1 6" x 20"	24	25	330

Box: WxLxH	Box: Q.ty	Box: Weight	Pallet: WxLxH	Pallet: Q.ty	Pallet: Weight

Certificates	Manufacturer	Sectors
DM174-2004 CE	MWG	Industrial

Cartridge to coupling

- High flow 6 layers "special pleated cartridges" single open-ended;
- Filter media and support in PP, o-ring seal in EPDM;
- End caps in fiberglass reinforced PP;
- Inside to outside flow pattern;
- External diameter = 6" (152 mm);
- Recommended maximum ΔP 1,0 bar at 20°C.
- T max = 80°C. Membrane area = 2,1m²



Ref	Description	Fam.	Subfam.	Disp. Stock	
FAEF2001	MONOCARTRIDGE PP 20" 1 MICRON FOR MGW EUROFLOW	040	114	•	
FAEF2005	MONOCARTRIDGE PP 20" 5 MICRON FOR MGW EUROFLOW	040	114	•	
FAEF2010	MONOCARTRIDGE PP 20" 10 MICRON FOR MGW EUROFLOW	040	114	•	
FAEF2020	MONOCARTRIDGE PP 20" 20 MICRON FOR MGW EUROFLOW	040	114	•	
FAEF2050	MONOCARTRIDGE PP 20" 50 MICRON FOR MGW EUROFLOW	040	114	•	
FAEF20C1	MONOCARTRIDGE PP 20" 100 MICRON FOR MGW EUROFLOW	040	114	•	
FAEF20CL	MONOCARTRIDGE PP 20" 150 MICRON FOR MWG EUROFLOW	040	114	•	
FAEF20C2	MONOCARTRIDGE PP 20" 200 MICRON FOR MWG EUROFLOW	040	114	•	

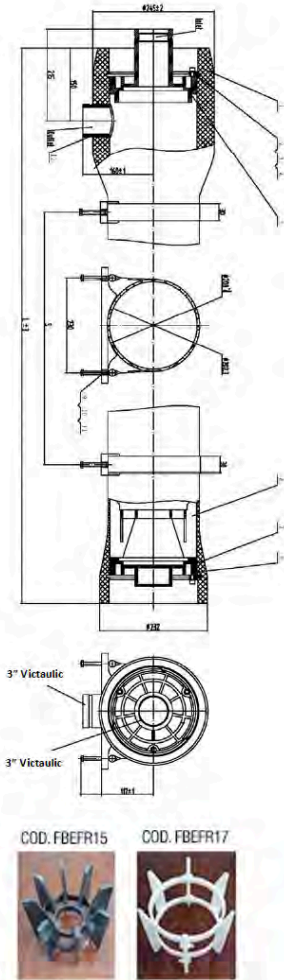
Ref	Micron	Nominal Flow Rate (lpm)
FAEF2001	1	330
FAEF2005	5	330
FAEF2010	10	330
FAEF2020	20	330
FAEF2050	50	330
FAEF20C1	100	330
FAEF20CL	150	330
FAEF20C2	200	330

Box: WxLxH	Box: Q.ty	Box: Weight	Pallet: WxLxH	Pallet: Q.ty	Pallet: Weight

Certificates	Manufacturer	Sectors
DM174-2004 CE	MWG	Industrial



High Flow Single 20" Cartridge MWG EuroFlow Filter Housings EF Series



Ref	Description	Fam.	Subfam.	Disp. Stock	
FBEFR27	MWG EUROFLOW LOCKING KIT SEGMENT	040	114	•	
FBEFR23	MWG EUROFLOW END CAP WITH CONNECTION	040	114	•	
FBEFR15	MWG EUROFLOW THRUST CONE	040	114	•	
FBEFR11	MWG EUROFLOW SEAL	040	114	•	
FBEFR21	MWG EUROFLOW HANDLED CLOSURE	040	114	•	
FBEFR13	MWG EUROFLOW STRAP L=500 MM	040	114	•	
H8R001	8" MPV SADDLE FOR 300-1200 PSI	035	180	•	
FBEFR17	MWG EUROFLOW GUIDING RING	040	114	•	
EA555	VICT. COUPLING NYLON 300 PSI-3" (88,9 mm) - DN80	035	180	•	
EA605	PVC-U STUBE PIPE DN80 D90	035	180	•	

Item	Ref	Q.TA'	Material	Note
2+3+4	FBEFR27	6	AISI 304	M8x16
5	FBEFR23	1	ABS	
6	FBEFR15	1	ABS	
7	FBEFR11	3	EPDM	190x5,3
8	FBEFR21	1	ABS	
9+10	FBEFR13	2	AISI 304 e gomma	
11	H8R001	2	Rubber	
Non Visual.	FBEFR17	1		
Non Visual.	EA555	2	NYLON	
Non Visual.	EA605	2	PVC-U	

Box: WxLxH	Box: Q.ty	Box: Weight	Pallet: WxLxH	Pallet: Q.ty	Pallet: Weight

Ref	L (mm)	S (mm)
FBEF20S3	792	350

Box: WxLxH	Box: Q.ty	Box: Weight	Pallet: WxLxH	Pallet: Q.ty	Pallet: Weight



High Flow Single 40" Cartridge MWG EuroFlow Filter Housings EF Series

- Single cartridge filter housings with fiberglass reinforced plastic pressure vessels;
- White painted, UVA-ray proof material;
- Suitable for industrial applications, for high chemical corrosion resistance;
- Compact and modular design;
- With n.1 aeration valve and n.1 drain connection;
- Ease of installation and maintenance;
- O-ring in EPDM;
- Max operating pressure 150 psi (10 bar);
- Max $\Delta p = 2$ bar;
- Operating temperature $5 \div 49$ °C;
- Operating pH range $3 \div 11$;
- With 3" DN80 Victaulic In/Out coupling connections and stub pipes in PVC-U PN = 4 bar;
- Straps and saddles included;
- 2014/68/EU Directive compliant for pressure equipment (PED);
- Suitable for high flow "special pleated cartridges", with guiding ring;
- Cartridges dimensions 6" x 40".

Ref	Description	Fam.	Subfam.	Disp. Stock	
FBEF40S3	MWG FILTER HOUSING EUROFLOW MONOCART.40" FRP 150PSI SP 3" VICT.	040	114	•	

Ref	Cartridges Number	Weight (kg)	Capacity (Liters)	Nominal Flow Rate (lpm)
FBEF40S3	n.1 6" x 40"	27	41	660

Box: WxLxH	Box: Q.ty	Box: Weight	Pallet: WxLxH	Pallet: Q.ty	Pallet: Weight

Certificates	Manufacturer	Sectors
DM174-2004 CE	MWG	Industrial



Cartridge to coupling

- High flow 6 layers "special pleated cartridges" single open-ended;
- Filter media and support in PP, o-ring seal in EPDM; End caps in fiberglass reinforced PP;
- Inside to outside flow pattern; External diameter = 6" (152 mm);
- Recommended maximum ΔP 1,0 bar at 20°C. T max = 80°C. Membrane area = 4,5m²

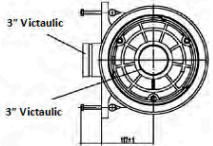
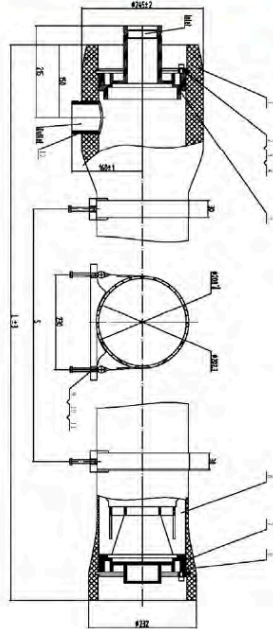
Ref	Description	Fam.	Subfam.	Disp. Stock	
FAEF4001	MONOCARTRIDGE PP 40" 1 MICRON FOR MGW EUROFLOW	040	114	•	
FAEF4005	MONOCARTRIDGE PP 40" 5 MICRON FOR MGW EUROFLOW	040	114	•	
FAEF4010	MONOCARTRIDGE PP 40" 10 MICRON FOR MGW EUROFLOW	040	114	•	
FAEF4020	MONOCARTRIDGE PP 40" 20 MICRON FOR MGW EUROFLOW	040	114	•	
FAEF4050	MONOCARTRIDGE PP 40" 50 MICRON FOR MGW EUROFLOW	040	114	•	
FAEF40C1	MONOCARTRIDGE PP 40" 100 MICRON FOR MGW EUROFLOW	040	114	•	
FAEF40CL	MONOCARTRIDGE PP 40" 150 MICRON FOR MWG EUROFLOW	040	114	•	
FAEF40C2	MONOCARTRIDGE PP 40" 200 MICRON FOR MWG EUROFLOW	040	114	•	

Ref	Micron	Nominal Flow Rate (lpm)
FAEF4001	1	660
FAEF4005	5	660
FAEF4010	10	660
FAEF4020	20	660
FAEF4050	50	660
FAEF40C1	100	660
FAEF40CL	150	660
FAEF40C2	200	660

Certificates	Manufacturer	Sectors
DM174-2004	MWG	Industrial



High Flow Single 40" Cartridge MWG EuroFlow Filter Housings EF Series



COD. FBEFR15



COD. FBEFR17



Ref	Description	Fam.	Subfam.	Disp. Stock	
FBEFR27	MWG EUROFLOW LOCKING KIT SEGMENT	040	114	•	
FBEFR23	MWG EUROFLOW END CAP WITH CONNECTION	040	114	•	
FBEFR15	MWG EUROFLOW THRUST CONE	040	114	•	
FBEFR11	MWG EUROFLOW SEAL	040	114	•	
FBEFR21	MWG EUROFLOW HANDLED CLOSURE	040	114	•	
FBEFR13	MWG EUROFLOW STRAP L=500 MM	040	114	•	
H8R001	8" MPV SADDLE FOR 300-1200 PSI	035	180	•	
FBEFR17	MWG EUROFLOW GUIDING RING	040	114	•	
EA555	VICT. COUPLING NYLON 300 PSI-3" (88,9 mm) - DN80	035	180	•	
EA605	PVC-U STUBE PIPE DN80 D90	035	180	•	

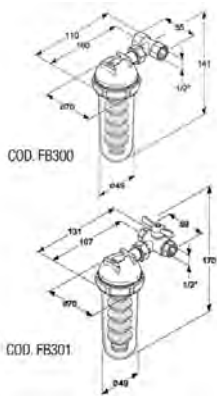
Item	Ref	Q.TA'	Material	Note
2+3+4	FBEFR27	6	AISI 304	M8x16
5	FBEFR23	1	ABS	
6	FBEFR15	1	ABS	
7	FBEFR11	3	EPDM	190x5,3
8	FBEFR21	1	ABS	
9+10	FBEFR13	2	AISI 304 - Rubber	
11	H8R001	2	Rubber	
Non Visual.	FBEFR17	1		
Non Visual.	EA555	2	NYLON	
Non Visual.	EA605	2	PVC-U	

Box: WxLxH	Box: Q.ty	Box: Weight	Pallet: WxLxH	Pallet: Q.ty	Pallet: Weight

Ref	L (mm)	S (mm)
FBEF40S3	1300	580



Poliphosphate Proportioning Feeders

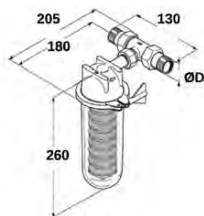


- proportional dosage to water flow through Venturi system;
- neutralizes the precipitation of calcium and magnesium carbonate up to 70°C making a protective coat over metallic share in contact with water;
- average dosage 3 ppm of P2O5;
- chrome plated brass head, trogamid sump; each feeder includes a polyphosphate package.
- IN-OUT connections 1/2" F;
- max operating pressure 10 bar; max operating temperature 40°C; flow rate 1.500 l/h;
- N.2 PF/H polyphosphate refills 80 g for hard water.

Ref	Description	Fam.	Subfam.	Disp. Stock
FB300	POLYPHOSPHATE FEEDER DP 12 OR	040	111	•
FB301	POLYPHOSPHATE FEEDER DP 12 OR-BYPASS	010	111	•

Box: WxLxH	Box: Q.ty	Box: Weight	Pallet: WxLxH	Pallet: Q.ty	Pallet: Weight

Certificates	Manufacturer	Sectors
DM174-2004		Domestic, Commercial



- max operating pressure 10 bar;
- max operating temperature 40°C;
- N.2 PF/H polyphosphate refills 400 g for hard water.

Ref	Description	Fam.	Subfam.	Disp. Stock
FB302	POLYPHOSPHATE FEEDER DP 34 OR	040	111	•
FB303	POLYPHOSPHATE FEEDER DP 1 OR	040	111	•
FB304	POLYPHOSPHATE FEEDER DP 114 OR	040	111	•

Ref	In-Out Connections	Flow (l/h)
FB302	3/4" M	2500
FB303	1" M	3500
FB304	1 1/4" M	4400

Box: WxLxH	Box: Q.ty	Box: Weight	Pallet: WxLxH	Pallet: Q.ty	Pallet: Weight

Certificates	Manufacturer	Sectors
DM174-2004		Domestic, Commercial

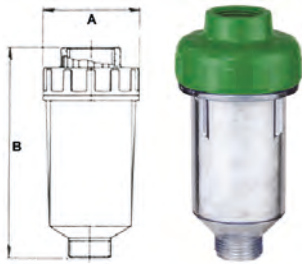
Available polyphosphate packages as spare. NOTE: PF/H type for hard water (> 15°F) PF/S type for soft or softened (3 ÷ 15° F)

Ref	Description	Fam.	Subfam.	Disp. Stock
FB340	PACK PF/H 160 GR.	040	112	•
FB341	PACK PF/H 400 GR.	040	112	•
FB342	PACK PF/H 1000 GR.	040	112	•
FB343	PACK PF/S 160 GR.	040	112	•
FB344	PACK PF/S 400 GR.	040	112	•
FB345	PACK PF/S 1000 GR.	040	112	•

Box: WxLxH	Box: Q.ty	Box: Weight	Pallet: WxLxH	Pallet: Q.ty	Pallet: Weight



Polyphosphate Crystals Feeder



- polyphosphate crystals feeder antiscaling;
- particular suitable for washing machines – dish washers – boilers;
- initial filling of polyphosphate included;
- max operating pressure 7 bar;
- max operating temperature 35°C.

Ref	Description	Fam.	Subfam.	Disp. Stock	
FBDC07	POLIPHOSPHATE CRYSTAL FEEDER DC 3/4"	040	106	•	

Ref	A (mm)	B (mm)	Polyphosphate Filling (g)
FBDC07	68	130	160

Box: WxLxH	Box: Q.ty	Box: Weight	Pallet: WxLxH	Pallet: Q.ty	Pallet: Weight

Certificates	Manufacturer	Sectors
STANDARD EN 1208: 2005	MWG	Domestic, Commercial

Polyphosphate Crystals

- based on a mixture of selected high polymerization metaphosphates, in transparent vitreous state white colour;
- typical composition: P2O5 > 60% and Na2O = 30% av.;
- to be used as antiscaling and corrosion inhibitor with water for potable and industrial applications;
- slow dissolution crystals, proportional to crystal size, temperature, pH and water hardness.

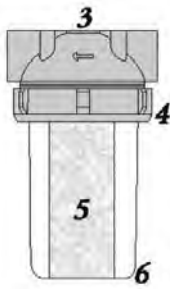
Ref	Description	Fam.	Subfam.	Disp. Stock	
FB350	PACK 25 KG. POLYPHOSPHATE CRYSTAL WHITE 5-15 MM	040	112	•	
FB351	PACK 25 KG. POLYPHOSPHATE CRYSTAL WHITE 10-20 MM	040	112	•	

Box: WxLxH	Box: Q.ty	Box: Weight	Pallet: WxLxH	Pallet: Q.ty	Pallet: Weight

Certificates	Manufacturer	Sectors
STANDARD EN 1208: 2005	MWG	Domestic, Commercial



Polyphosphate Feeders with Cartridges



- Particular suitable for washing machines – dish washers –boilers;
- Chrome pleated brass head (item 3 and 4);
- IN/OUT connections 1/2";
- Grilamid sump (item 6);
- Supplied with the first charge of polyphosphate (170 g);
- Operating flow rate 1200 l/h;
- Max operating temperature= 20°C;
- Max operating pressure = 16 bar;
- Test pressure = 50 bar;
- Empty weight 1.2 kg;
- The presence of silicate ensures greater protection of metal parts against corrosion;
- The spherical shape of the polyphosphate in our FB701 allows a greater regularity of the product consumption and consequently a more regular dosage.

Ref	Description	Fam.	Subfam.	Disp. Stock	
FB700	POLYPHOSPHATE FEEDER DPC 12	040	111		
FB701	POLYPHOSPHATE FEEDER DPC 12 SPHERIC	040	111		

Box: WxLxH	Box: Q.ty	Box: Weight	Pallet: WxLxH	Pallet: Q.ty	Pallet: Weight

Certificates	Manufacturer	Sectors
DM174-2004 , DM25/2012		Domestic, Commercial

Spare Parts and Accessories

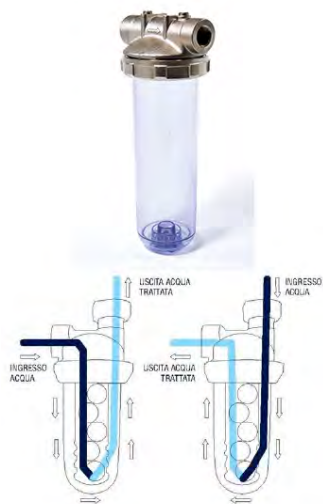
Ref	Description	Fam.	Subfam.	Disp. Stock	
FB730	SPARE CARTRIDGE FOR DPC 12	040	112		
FB731	REPLACEMENT CARTRIDGE FOR DPC 12 SFERIC	040	112		
FB317A	WRENCH FOR FB700 AND FB701	040	112		

ITEM	Ref	Description
5	FB730	SPARE CARTRIDGE FOR DPC 12
5	FB731	REPLACEMENT CARTRIDGE FOR DPC 12 SFERIC
Non Visualizzato	FB317A	WRENCH FOR FB700 AND FB701

Box: WxLxH	Box: Q.ty	Box: Weight	Pallet: WxLxH	Pallet: Q.ty	Pallet: Weight



Polyphosphate Feeders with Cartridges



- Particular suitable for washing machines - dish washers - boilers;
- Chrome plated brass head (item 1 and 4), Grilamid sump (item 5);
- 1/2" inlet and 1/2" outlet can be either vertical or horizontal connection: a kit provides a reduction from 3/4" to 1/2";
- Supplied with the first charge of polyphosphate (item 3);
- Operating flow rate 1200 l/h;
- Max operating temperature = 40°C;
- Max operating pressure = 10 bar, Test pressure = 30 bar;
- Empty weight 700 g;
- Available on demand a wrench (our ref. FB317) to facilitate the disassembly of the housing.

Ref	Description	Fam.	Subfam.	Disp. Stock	
FB702	POLYPHOSPHATE FEEDER DPC 12-34	040	111		

Box: WxLxH	Box: Q.ty	Box: Weight	Pallet: WxLxH	Pallet: Q.ty	Pallet: Weight

Certificates	Manufacturer	Sectors
DM174-2004 DM25-2012		Domestic, Commercial

Spare Parts and Accessories



Ref	Description	Fam.	Sotto Fam	Disp. Stock	
FB732	N. 2 REPLACEMENT CARTRIDGE FOR DPC 12 - 34	040	112		
FB317	SPANNER FOR FB702	040	112		

ITEM	Ref	Description
3	FB732	N. 2 REPLACEMENT CARTRIDGE FOR DPC 12 - 34
6	FB317	SPANNER FOR FB702

Box: WxLxH	Box: Q.ty	Box: Weight	Pallet: WxLxH	Pallet: Q.ty	Pallet: Weight

EUROTROL®

WATER TREATMENT COMPONENTS



MWG, PURE RESIN ion exchange resins and filtering media

INDEX



MWG Resin



- Gel Strong Acid Cation Exchange Resin;
- Light coloured;
- Gel type Strongly Acidic unfunctional cross linked polystyrene structure containing Sulphonic Acid groups. It is a high capacity gel type resin with excellent physical and chemical properties;
- It is specially designed for the treatment of potable water. The resin is extremely robust and has excellent physical and chemical characteristics;
- Due to its high exchange capacity, it is recommended where hardness of Calcium and Magnesium salts are high. The resin is primarily used in industrial water softening application in Na+ form;
- Shipped in 25 liter bags.

Ref	Description	Fam.	Subfam.	Disp. Stock
RA600	MWG STRONG CATION GEL RESIN (Na)	065	301	•

Typical Physical	
Polymer Matrix Structure	Polystyrene
Functional Group	R-(SO ₃) ⁻ M ⁺
Functional Group	Sodium (Na ⁺)
Physical Form and Appearance	Spherical Beads
Particle Size Range	+1,2 mm < 5%, - 0,3 mm < 1%
Uniformity Coefficient	1,7 max
Water Retention, Na ⁺ form	47 ÷ 53%
Swelling Na ⁺ → H ⁺	10% max
Shipping Weight, Na ⁺ form	820 g/l (50 lbs/cu.ft, approx.)
Total Exchange Capacity, Na ⁺ form	1,9 eq/l min.
pH Range	0 ÷ 14

Suggested Operating Conditions	
Maximum Temperature	140°C (284°F) max.
Maximum Temperature	0,75 m (30")
Backwash Rate	40% bed expansion
Regeneration	
Regenerant Concentration	10% NaCl or saturated salt water
Flow Rate	2 ÷ 8 BV/h (0,25 ÷ 1,00 gpm/cu.ft)
Contact Time	Same as Regenerant Flow Rate
Displacement Rinse Rate	Same as Regenerant Flow Rate
Displacement Rinse Volume	Same as Service Flow Rate
Displacement Rinse Volume	Same as Service Flow Rate
Fast Rinse Volume	5 BV (37,5 gallons/cu.ft)
Fast Rinse Volume	15 ÷ 30 BV/h (1,85 ÷ 3,70 gpm/cu.ft)

Box: WxLxH	Box: Q.ty	Box: Weight	Pallet: WxLxH	Pallet: Q.ty	Pallet: Weight

Certificates	Manufacturer	Sectors
DM174- 2004, WRAS	MWG	Domestic, Commercial, Industrial



Pure Resin PC002



- Gel Strong Acid Cation Exchange Resin;
- Light coloured;
- Gel type sulfonated polystyrene cation resin supplied in the sodium form as moist, tough uniform spherical beads.
- Well suited for industrial, commercial or residential softening applications;
- High capacity and good physical stability;
- Shipped in 25 liter bags.

Ref	Description	Fam.	Subfam.	Disp. Stock
RA300	STRONG CATION GEL PURE RESIN PC002 (Na)	065	300	•

Typical Physical	
Polymer Matrix Structure	Polystyrene crosslinked with 7% DVB
Functional Group	R-(SO3)-M+
Ionic Form, as shipped	Sodium (Na+)
Physical Form and Appearance	Clear Spherical Beads
Sphericity	95% min
Screen Size Range - U.S. Standard Screen	16 ÷ 50 mesh, wet
Particle Size Range	+1,2 mm < 5%, - 0,3 mm < 1%
Uniformity Coefficient	1,6 max
Water Retention, Na+ form	45 ÷ 50%
Swelling Na+ → H+	10% max
Ca2+ → Na+	5% max
Shipping Weight, Na+ form	770 ÷ 870 g/l (50 lbs/cu.ft, approx.)
Total Exchange Capacity, Na+ form	1,9 eq/l min.
pH Range	0 ÷ 14

Suggested Operating Conditions	
Maximum Temperature Na+ form	120°C (248°F)
Maximum Temperature H+ form	100°C (212°F)
Minimum Bed Depth	0,6 m (24")
Minimum Bed Depth	8 ÷ 20% NaCl or saturated salt water
Regeneration	
Regenerant Concentration	8 ÷ 20% NaCl or saturated salt water
Flow Rate	2 ÷ 4 BV/h (0,25 ÷ 0,50 gpm/cu.ft)
Flow Rate	At least 30 Minutes
Displacement Rinse Rate	Same as Regenerant Flow Rate
Displacement Rinse Volume	Same as Service Flow Rate
Fast Rinse Rate	Same as Service Flow Rate
Fast Rinse Volume	3 ÷ 4 BV (22,5 ÷ 30 gallons/cu.ft)
Service Flow Rate	10 ÷ 50 BV/h (1,25 ÷ 6,25 gpm/cu.ft)

Box: WxLxH	Box: Q.ty	Box: Weight	Pallet: WxLxH	Pallet: Q.ty	Pallet: Weight

Certificates	Manufacturer	Sectors
DM174-2004 NSF44 NSF61	Pure Resin	Domestic, Commercial, Industrial



Pure Resin PC003



- Gel Strong Acid Cation Exchange Resin;
- High capacity premium grade bead form, conventional gel polystyrene sulphonate cation exchange resin supplied in the sodium or hydrogen form;
- Intended for use in all water softening, dealcalisation, deionization and chemical processing applications, such as the following:
- In H form (PC003H), can be used in multiple and mixed bed demineralizers with strong base;
- Anion exchangers such as Pure PA101, PA102 and PA103 in OH- form.
- Well suited for industrial, commercial or residential softening applications because of its high capacity and good physical stability;
- Shipped in 25 liter bags.

Ref	Description	Fam.	Subfam.	Disp. Stock	
RA310	STRONG CATION GEL PURE RESIN PC003 (Na) HIGH CAPACITY	065	300	•	

Typical Physical	
Polymer Matrix Structure	Clear Spherical Beads
Functional Group	R-(SO3) ⁻ M ⁺
Ionic Form, as shipped	Na ⁺ / H ⁺
Physical Form and Appearance	Clear Spherical Beads
Sphericity	95% min
Screen Size Range US Standard Screen	16 ÷ 50 mesh, wet
Particle Size Range	+1,2 mm < 5%, - 0,3 mm < 1%
Uniformity Coefficient	1,6 max
Water Retention, Na ⁺ form - H form	43 ÷ 48% - 50 ÷ 56%
Swelling Na ⁺ → H ⁺	10% max
Swelling Ca ²⁺ → Na ⁺	5% max
Shipping Weight, Na ⁺ form	780 ÷ 880 g/l (51 lbs/cu.ft, approx.)
Shipping Weight, Ca ²⁺ → Na ⁺	770 ÷ 870 g/l (50 lbs/cu.ft, approx.)
Total Exchange Capacity, Na ⁺ form	2,0 eq/l min.
Total Exchange Capacity, H ⁺ form	1,9 eq/l min.
pH Range	0 ÷ 14

Suggested Operating Conditions	
Maximum Temperature Na form	150°C (300°F) max
Maximum Temperature H form	100°C (212°F) max
Minimum Bed Depth	0,6 m (24")
Backwash Rate	25 ÷ 50% Bed Expansion
Regeneration	
Sodium Cycle	8 ÷ 20% NaCl
Hydrogen Cycle	5 ÷ 10% HCl, 2-8% H2SO4
Flow Rate	2 ÷ 7 BV/h (0,25 ÷ 0,90 gpm/cu.ft)
Displacement Rinse Rate	Same as Regenerate Flow Rate
Displacement Rinse Volume	1,4 ÷ 2,0 BV (10 ÷ 15 gallons/cu.ft)
Fast Rinse Rate	Same as Service Flow Rate
Fast Rinse Volume	4 ÷ 8 BV (30 ÷ 60 gallons/cu.ft)
Service Flow Rate	10 ÷ 50 BV/h (1,25 ÷ 6,25 gpm/cu.ft)

Box: WxLxH	Box: Q.ty	Box: Weight	Pallet: WxLxH	Pallet: Q.ty	Pallet: Weight

Certificates	Manufacturer	Sectors
DM174-2004 NSF44 NSF61	Pure Resin	Domestic, Commercial, Industrial



Pure Resin PC003UN-NA



- Gel Strong Acid Cation Exchange Resin with high uniformity coefficient;
- High capacity premium grade bead form, conventional gel polystyrene sulphonate cation exchange resin supplied in the sodium or hydrogen form;
- Intended for use in all water softening, dealcalisation, deionization and chemical processing applications, such as the following:
- In H form (PC003HUN), can be used in multiple and mixed bed demineralizers with strong base;
- Anion exchangers such as Pure PA101, PA102 and PA103 in OH- form.
- Well suited for industrial, commercial or residential softening applications because of its high capacity and good physical stability;
- Shipped in 25 liter bags.

Ref	Description	Fam.	Subfam.	Disp. Stock	
RA312	STRONG CATION GEL PURE RESIN PC003UN-Na	065	300	•	

Typical Physical	
Polymer Matrix Structure	Polystyrene crosslinked with 8% DVB
Functional Group	R-(SO ₃) ⁻ M ⁺
Ionic Form, as shipped	Na ⁺
Physical Form and Appearance	Clear Spherical Beads
Sphericity	95% min
Screen Size Range US Standard Screen	25 ÷ 35 mesh, wet
Particle Size Range	0,5 ÷ 0,71 mm ≥ 95%
Uniformity Coefficient	1,15 max
Water Retention, Na ⁺ form -H form	43 ÷ 48% - 47 ÷ 54% i
Swelling Na ⁺ → H ⁺	10% max
Swelling Ca ²⁺ → Na ⁺	5% max
Shipping Weight, Na ⁺ form	780 ÷ 880 g/l (51 lbs/cu.ft, approx.)
Shipping Weight, H form	770 ÷ 870 g/l (50 lbs/cu.ft, approx.)
Total Exchange Capacity, Na ⁺ form	2,0 eq/l min.
Total Exchange Capacity, H form	1,9 eq/l min.
pH Range	0 ÷ 14

Suggested Operating Conditions	
Maximum Temperature Na ⁺	150°C (300°F) max
Maximum Temperature H ⁺	100°C (212°F) max
Minimum Bed Depth	0,6 m (24")
Backwash Rate	25 ÷ 50% Bed Expansion
Regeneration	
Sodium Cycle	8 ÷ 20% NaCl
Hydrogen Cycle	5 ÷ 10% HCl, 2-8% H ₂ SO ₄
Flow Rate	2 ÷ 7 BV/h (0,25 ÷ 0,90 gpm/cu.ft)
Displacement Rinse Rate	Same as Regenerate Flow Rate
Displacement Rinse Volume	1,4 ÷ 2,0 BV (10 ÷ 15 gallons/cu.ft)
Fast Rinse Rate	Same as Service Flow Rate
Service Flow Rate	4 ÷ 8 BV (30 ÷ 60 gallons/cu.ft)
Service Flow Rate	10 ÷ 50 BV/h (1,25 ÷ 6,25 gpm/cu.ft)

Box: WxLxH	Box: Q.ty	Box: Weight	Pallet: WxLxH	Pallet: Q.ty	Pallet: Weight

Certificates	Manufacturer	Sectors
DM174-2004 NSF44 NSF61	Pure Resin	Domestic, Commercial, Industrial



Pure Resin PC003 IND-2



- Gel Strong Acid Cation Exchange Resin, with indicator high purity premium grade bead form, high capacity;
- Conventional gel polystyrene sulphonate cation exchange resin supplied in the hydrogen form;
- It can be well used in multiple and mixed bed demineralizers to inform customer when the resin is exhausted or not;
- Shipped in 25 liter bags.

Ref	Description	Fam.	Subfam.	Disp. Stock
RA316	STRONG CATION GEL PURE RESIN PC003 IND-2 (H) W/INDICATOR	065	300	•

Typical Physical	
Polymer Matrix Structure	Polystyrene crosslinked with DVB
Functional Group	R-(SO ₃)-M+ (color: Violet → Yellow)
Ionic Form, as shipped	Na+ / H+
Physical Form and Appearance	Clear Spherical Beads
Sphericity	95% min
Screen Size Range US Standard Screen	16 ÷ 50 mesh, wet
Particle Size Range	+1,2 mm < 5%, - 0,3 mm < 1%
Uniformity Coefficient	1,6 max
Water Retention, Na+ form	43 ÷ 48%
Water Retention, H form	47 ÷ 54%
Swelling Na+ → H+	10% max
Swelling Ca ²⁺ → Na+	5% max
Shipping Weight, Na+ form	780 ÷ 880 g/l (51 lbs/cu.ft, approx)
Shipping Weight, H form	770 ÷ 870 g/l (50 lbs/cu.ft, approx)
Total Exchange Capacity, Na+ form	2,0 eq/l min.
Total Exchange Capacity, H form	2,0 eq/l min.
pH Range	0 ÷ 14

Suggested Operating Conditions	
Maximum Temperature Na	120°C (248°F) max
Maximum Temperature H form	100°C (212°F) max
Minimum Bed Depth	0,6 m (24")
Backwash Rate	25 ÷ 50% Bed Expansion
Regeneration	
Sodium Cycle	10 ÷ 15% NaCl
Hydrogen Cycle	10% HCl, 1-8% H ₂ SO ₄
Flow Rate	2 ÷ 7 BV/h (0,25 ÷ 0,90 gpm/cu.ft)
Displacement Rinse Rate	Same as Regenerant Flow Rate
Displacement Rinse Volume	1,4 ÷ 2,0 BV (10 ÷ 15 gallons/cu.ft)
Fast Rinse Rate	8 ÷ 40 BV/h (1 ÷ 5 gpm/cu.ft)
Fast Rinse Volume	3 ÷ 10 BV (22,5 ÷ 75 gallons/cu.ft)
Service Flow Rate	4 ÷ 8 BV/h (0,5 ÷ 1 gpm/cu.ft)

Box: WxLxH	Box: Q.ty	Box: Weight	Pallet: WxLxH	Pallet: Q.ty	Pallet: Weight

Certificates	Manufacturer	Sectors
	Pure Resin	Industrial



Pure Resin PC100NA



- Macroporous Strong Acid Cation Exchange Resin;
- Macroporous poly (styrene sulphonate) cation exchange resin with excellent resistance to both osmotic and thermal shock;
- Supplied as spherical beads;
- Used for water softening with high level of DVB;
- Also widely used in mixed bed demineralizers where high hydraulic demands exist and high resistance to mechanical thermal and oxidative stresses are required, such as condensate polishing, chemical processing, hydrometallurgy, sugar treatment;
- Shipped in 25 liter bags.

Ref	Description	Fam.	Subfam.	Disp. Stock
RA318	STRONG CATION MACROPOROUS PURE RESIN PC100 (Na)	065	300	•

Typical Physical	
Polymer Matrix Structure	Polystyrene crosslinked with 8% DVB
Functional Group	R-(SO ₃) ⁻ M ⁺
Ionic Form, as shipped	Na ⁺
Physical Form and Appearance	Clear Spherical Beads
Sphericity	95% min
Screen Size Range US Standard Screen	16 ÷ 50 mesh, a umido
Particle Size Range	+1,2 mm < 5%, - 0,3 mm < 1%
Uniformity Coefficient	1,6 max
Water Retention	45 ÷ 55%
Swelling Na ⁺ → H ⁺	10% max
Shipping Weight	760 ÷ 830 g/l (50 lbs/cu.ft, approx.)
	1,8 eq/l min.
pH Range	0 ÷ 14

Suggested Operating Conditions	
Maximum Temperature	150°C (300°F) max
Minimum Bed Depth	0,6 m (24")
Backwash Rate	2 ÷ 7 BV/h (0,25 ÷ 0,90 gpm/cu.ft)
Regeneration	8 ÷ 20% NaCl
Flow Rate	2 ÷ 7 BV/h (0,25 ÷ 0,90 gpm/cu.ft)
Contact Time	At least 20 Minutes
Displacement Rinse Rate	Same as Regenerant Flow Rate
Displacement Rinse Volume	1,4 ÷ 2,0 BV (10 ÷ 15 gallons/cu.ft)
Fast Rinse Rate	Same as Service Flow Rate
Fast Rinse Volume	4 ÷ 8 BV (30 ÷ 60 gallons/cu.ft)
Service Flow Rate	10 ÷ 50 BV/h (1,25 ÷ 6,25 gpm/cu.ft)

Box: WxLxH	Box: Q.ty	Box: Weight	Pallet: WxLxH	Pallet: Q.ty	Pallet: Weight

Certificates	Manufacturer	Sectors
DM174-2004	Pure Resin	Industrial



Pure Resin PC100H



- Macroporous Strong Acid Cation Exchange Resin;
- Macroporous poly (styrene sulphonate) cation exchange resin with excellent resistance to both osmotic and thermal shock;
- Supplied as spherical beads;
- Used for water softening with high level of DVB;
- Also widely used in mixed bed demineralizers where high hydraulic demands exist and high resistance to mechanical thermal and oxidative stresses are required, such as condensate polishing, chemical processing, hydrometallurgy, sugar treatment;
- Shipped in 25 liter bags.

Ref	Description	Fam.	Subfam.	Disp. Stock	
RA320	STRONG CATION MACROPOROUS PURE RESIN PC100 (H)	065	300	•	

Typical Physical	
Polymer Matrix Structure	Polystyrene crosslinked with 8% DVB
Functional Group	0,6 (24")
Ionic Form, as shipped	H+
Physical Form and Appearance	Clear Spherical Beads
Sphericity	95% min
Screen Size Range US Standard Screen	16 ÷ 50 mesh, wet
Particle Size Range	+1,2 mm < 5%, - 0,3 mm < 1%
Uniformity Coefficient	1,6 max
Water Retention	50 ÷ 60%
Swelling Na+ → H+	10% max
Shipping Weight, Na+ form	760 ÷ 830 g/l (50 lbs/cu.ft, approx.)
Total Exchange Capacity	1,7 eq/l min.
pH Range	0 ÷ 14

Suggested Operating Conditions	
Maximum Temperature	120°C (248°F) max
Minimum Bed Depth	0,6 m (24" inches)
Backwash Rate	2 ÷ 7 BV/h (0,25 ÷ 0,90 gpm/cu.ft)
Regeneration	5 ÷ 10% HCl, 2 ÷ 8% H2SO4
Flow Rate	2 ÷ 7 BV/h (0,25 ÷ 0,90 gpm/cu.ft)
Contact Time	At least 20 Minutes
Displacement Rinse Rate	Same as Regenerant Flow Rate
Displacement Rinse Volume	1,4 ÷ 2,0 BV (10 ÷ 15 gallons/cu.ft)
Fast Rinse Rate	Same as Service Flow Rate
Fast Rinse Volume	4 ÷ 8 BV (30 ÷ 60 gallons/cu.ft)
Service Flow Rate	10 ÷ 50 BV/h (1,25 ÷ 6,25 gpm/cu.ft)

Box: WxLxH	Box: Q.ty	Box: Weight	Pallet: WxLxH	Pallet: Q.ty	Pallet: Weight

Certificates	Manufacturer	Sectors
	Pure Resin	Industrial



Pure Resin PC200FD



- Macroporous Weak Acid Cation Exchange Resin;
- Macroporous poly-acrylic weak acid cation resin;
- It can be supplied in the hydrogen (H+) form or sodium (Na+) as spherical beads;
- In H cycle is used for dealcalisation, deionization and chemical processing applications;
- Supplied in sodium cycle for use in applications such as softening and heavy metal cations removal. This requires a two stage regeneration process using a strong acid first and then a neutralization rinse to put the resin into the sodium form and is especially effective in high solids softening applications;
- Shipped in 25 liter bags.

Ref	Description	Fam.	Subfam.	Disp. Stock	
RA330	WEAK CATION MACROPOROUS PURE RESIN PC200FD	065	300	•	

Typical Physical	
Polymer Matrix Structure	Acrylic-Divinylbenzene
Functional Group	R-(SO ₃) ⁻ M ⁺
Ionic Form, as shipped	H ⁺
Physical Form and Appearance	Clear Spherical Beads
Sphericity	95% min
Screen Size Range US Standard Screen	16 ÷ 50 mesh, wet
Particle Size Range	+1,2 mm < 5%, - 0,3 mm < 1%
Uniformity Coefficient	1,6 max
Water Retention, H+ form	45 ÷ 50%
Swelling Na+ → H+	65% max
Shipping Weight, H+ form	720 ÷ 800 g/l (46 lbs/cu.ft, approx.)
Total Exchange Capacity, H+ form	4 eq/l min.
pH Range	4 ÷ 14

Suggested Operating Conditions	
Maximum Temperature, H+ form	120°C (248°F) max
Minimum Bed Depth	0,8 m (30")
Backwash Rate	50 ÷ 75% Bed Expansion
Regeneration, Hydrogen Cycle	5 ÷ 10% HCl, 0,5 ÷ 1% H ₂ SO ₄
Flow Rate	2 ÷ 7 BV/h 8 ÷ 20 gpm/cu.ft)
Contact Time	At least 30 Minutes
Displacement Rinse Rate	1,4 ÷ 2 BV (10 ÷ 15 gallons/cu.ft)
Displacement Rinse Volume	1,4 ÷ 2 BV (10 ÷ 15 gallons/cu.ft)
Fast Rinse Rate	Same as Service Flow Rate
Fast Rinse Volume	16 ÷ 40 BV/h (2 ÷ 5 gpm/cu.ft)
Service Flow Rate	16 ÷ 40 BV/h (2 ÷ 5 gpm/cu.ft)

Box: WxLxH	Box: Q.ty	Box: Weight	Pallet: WxLxH	Pallet: Q.ty	Pallet: Weight

Certificates	Manufacturer	Sectors
DM174-2004	Pure Resin	Commercial, Industrial



Pure Resin PA103OH



- Gel Strong Base Anion Exchange Resin;
- It is a Type II, gel strong-base anion exchange resin, with high capacity and excellent regeneration efficiency;
- Supplied as spherical beads in the hydroxyl form;
- It removes all ions including silica and CO₂, anyway, it operates best on waters having a high percentage of strong acids (FMA);
- Intended for use in all type of dealcalisation, demineralization, deionization and chemical processing applications;
- Shipped in 25 liter bags.

Ref	Description	Fam.	Subfam.	Disp. Stock
RA340	STRONG ANION GEL TYPE II PURE RESIN PA103 (OH)	065	300	•

Typical Physical	
Polymer Matrix Structure	Polystyrene crosslinked with divinylbenzene
Functional Group	R-(SO ₃) ⁻ M ⁺
Ionic Form, as shipped	Hydroxyl (OH ⁻)
Physical Form and Appearance	Clear Spherical Beads
Sphericity	95% min
Screen Size Range US Standard Screen	16 ÷ 50 mesh, wet
Particle Size Range	+1,2 mm < 5%, - 0,3 mm < 1%
Uniformity Coefficient	1,6 max
Water Retention, Cl ⁻ form	45 ÷ 50%
Swelling Cl ⁻ → OH ⁻	15% max
Weight, Cl ⁻ form	680 ÷ 760 g/l (44 lbs/cu.ft, approx.)
Total Exchange Capacity, Cl ⁻ form	1,3 eq/l min.
pH Range	0 ÷ 14

Suggested Operating Conditions	
Maximum Temperature, Cl ⁻ form	60°C (140°F) max
Maximum Temperature, OH ⁻ form	40°C (105°F) max
Minimum Bed Depth	0,6 m (24")
Backwash Rate	50 ÷ 75% Bed Expansion
Regeneration	
Regenerant Concentration	2 ÷ 6% NaOH
Flow Rate	2 ÷ 4 BV/h (0,25 ÷ 0,50 gpm/cu.ft)
Contact Time	At least 60 Minutes
Displacement Rinse Rate	1,4 ÷ 2 BV (10 ÷ 15 gallons/cu.ft)
Displacement Rinse Volume	1,4 ÷ 2 BV (10 ÷ 15 gallons/cu.ft)
Fast Rinse Rate	Same as Service Flow Rate
Fast Rinse Rate	4 ÷ 8 BV (30 ÷ 60 gallons/cu.ft)
Service Flow Rate	10 ÷ 50 BV/h (1,25 ÷ 6,25 gpm/cu.ft)

Box: WxLxH	Box: Q.ty	Box: Weight	Pallet: WxLxH	Pallet: Q.ty	Pallet: Weight

Certificates	Manufacturer	Sectors
	Pure Resin	Industrial



Pure Resin PA101 IND-1



- Gel Strong Base Anion Exchange Resin, with indicator;
- It is a Type I, gel strong-base anion exchange resin with both high operating capacity and the ability to achieve low residual silica levels;
- Supplied as spherical beads in the hydroxyl form;
- It can be well used in multiple and mixed bed demineralizers to inform customer when the resin is exhausted or not;
- Shipped in 25 liter bags.

Ref	Description	Fam.	Subfam.	Disp. Stock
RA338	STRONG ANION GEL PURE RESIN PA101 IND-1 (OH) W/INDICATOR	065	065	•

Typical Physical	
Polymer Matrix Structure	Polystyrene crosslinked with divinylbenzene
Functional Group	R-N(CH ₃) + (color: Blue → Yellow)
Ionic Form, as shipped	Hydroxyl (OH ⁻)
Physical Form and Appearance	Clear Spherical Beads
Sphericity	95% min
Screen Size Range US Standard Screen	16 ÷ 50 mesh, wet
Particle Size Range	+1,2 mm < 5%, - 0,3 mm < 1%
Uniformity Coefficient	1,6 max
Water Retention, Cl ⁻ form	55 ÷ 65%
Swelling Cl ⁻ → OH ⁻	20 ÷ 30%
Weight, Cl ⁻ form	660 ÷ 710 g/l (43 lbs/cu.ft, approx.)
Total Exchange Capacity, Cl ⁻ form	1,0 eq/l min.
pH Range	0 ÷ 14

Suggested Operating Conditions	
Maximum Temperature, Cl ⁻ form	100°C (212°F) max
Maximum Temperature, OH ⁻ form	60°C (140°F) max
Minimum Bed Depth	0,6 m (24")
Backwash Rate	50 ÷ 75% Bed Expansion
Regeneration	
Regenerant Concentration	2 ÷ 6% NaOH
Flow Rate	2 ÷ 8 BV/h (0,25 ÷ 1,00 gpm/cu.ft)
Contact Time	At least 60 Minutes
Displacement Rinse Rate	Same as Regenerant Flow Rate
Displacement Rinse Volume	1,4 ÷ 2 BV (10 ÷ 15 gallons/cu.ft)
Fast Rinse Rate	Same as Service Flow Rate
Fast Rinse Volume	4,9 ÷ 8 BV (35 ÷ 60 gallons/cu.ft)
Fast Rinse Volume	4 ÷ 8 BV/h (0,5 ÷ 1,0 gpm/cu.ft)

Box: WxLxH	Box: Q.ty	Box: Weight	Pallet: WxLxH	Pallet: Q.ty	Pallet: Weight

Certificates	Manufacturer	Sectors
	Pure Resin	Industrial



Pure Resin PA201(CL)



- Macroporous Strong Base Anion Exchange Resin;
- It is a Type II, gel strong-base anion exchange resin;
- Supplied wet as spherical beads in the chloride form;
- It has a high operating capacity, especially on high-FMA feedwaters, as well as a high reversible sorptive capacity for complex organic materials, such as the fulvic and humic acids which occur in many surface water supplies;
- It is recommended for use in waters with low silica loads. For high silica waters, a type I anion resin such as Pure PA200 is recommended;
- Shipped in 25 liter bags.

Ref	Description	Fam.	Subfam.	Disp. Stock	
RA342	STRONG ANION MACROPOROUS TYPE II PURE RESIN PA201 (Cl)	065	300	•	

Typical Physical	
Polymer Matrix Structure	Macroporous polystyrene crosslinked with divinylbenzene
Functional Group	R-N(CH ₃) ₂ (C ₂ H ₄ OH)+
Ionic Form, as shipped	Chloride (Cl-)
Physical Form and Appearance	Opaque light yellowish spherical beads
Sphericity	95% min
Screen Size Range US Standard Screen	16 ÷ 50 mesh, wet
Particle Size Range	+1,2 mm < 5%, - 0,3 mm < 1%
Uniformity Coefficient	1,6 max
Water Retention, Cl- form	47 ÷ 57%
Swelling Cl- → OH-	10% max
Weight, Cl- form	1,2 eq/l min.
Total Exchange Capacity, Cl- form	1,2 eq/l min.
pH Range	0 ÷ 14

Suggested Operating Conditions	
Maximum Temperature, Cl- form	60°C (140°F) max
Maximum Temperature, OH- form	40°C (105°F) max
Minimum Bed Depth	0,8 m (30")
Backwash Rate	50 ÷ 75% Bed Expansion
Regeneration, Regenerant Concentration	2 ÷ 5% NaOH
Service/fast rinse	5 ÷ 50 m/h (2 ÷ 20 gpm/ft ²)
Co-current regeneration/displacement rinse	1 ÷ 10 m/h (0,4 ÷ 4 gpm/ft ²)
Total rinse requirement	3 ÷ 5 Bed volumes
Temperature	Ambient up to 35°C (95°F) for silica removal

Box: WxLxH	Box: Q.ty	Box: Weight	Pallet: WxLxH	Pallet: Q.ty	Pallet: Weight

Certificates	Manufacturer	Sectors
	Pure Resin	Industrial



Pure Resin PA200



- It is a Type I, Macroporous Strong Base Anion Exchange Resin supplied in chloride or hydroxide and has high capacity, shock resistant with high physical stability;
- It is widely used in multiple and mixed bed demineralizers, wherever complete ion and organic removal are required;
- It is also intended for use in all types of deionization systems, condensate polishing and chemical processing applications;
- Shipped in 25 liter bags.

Ref	Description	Fam.	Subfam.	Disp. Stock
RA341	STRONG ANION MACROPOROUS TYPE I PURE RESIN PA200 (Cl)	065	300	•

Typical Physical	
Polymer Matrix Structure	Macroporous polystyrene crosslinked with divinylbenzene
Functional Group	R-N(CH ₃) ₃
Ionic Form, as shipped	Chloride (Cl ⁻)
Physical Form and Appearance	Opaque light yellowish spherical beads
Sphericity	95% min
Screen Size Range US Standard Screen	16 ÷ 50 mesh, wet
Particle Size Range	+1,2 mm < 5%, - 0,3 mm < 1%
Uniformity Coefficient	1,6 max
Water Retention, Cl ⁻ form	50 ÷ 60%
Swelling Cl ⁻ → OH ⁻	20 ÷ 30%
Weight, Cl ⁻ form	660 ÷ 730 g/l (43 lbs/cu.ft, approx.)
Total Exchange Capacity, Cl ⁻ form	1,15 eq/l min.
Total Exchange Capacity, OH ⁻ form	0,92 eq/l min.
pH Range	0 ÷ 14

Suggested Operating Conditions	
Maximum Temperature, Cl ⁻ form	80°C (170°F)
Maximum Temperature, OH ⁻ form	60°C (140°F)
Minimum Bed Depth	0,6 m (24")
Backwash Rate	50 ÷ 75% Bed Expansion
Regeneration, Regenerant Concentration	4 ÷ 6% NaOH
Service/Fast Rinse	2 ÷ 8 BV/h (0,25 ÷ 1,0 gpm/ft ²)
Contact Time	Minimum 60 minutes
Displacement Rinse Rate	Same as Regenerant Flow Rate
Displacement Rinse Volume	1,4 ÷ 2,0 BV (10 ÷ 15 gallons/cu.ft)
Fast Rinse Rate	Same as Service Flow Rate
Fast Rinse Volume	4,6 ÷ 8 BV (35 ÷ 60 gallons/cu.ft)
Service Flow Rate	16 ÷ 32 BV/h (2,0 ÷ 4,0 gpm/cu.ft)

Box: WxLxH	Box: Q.ty	Box: Weight	Pallet: WxLxH	Pallet: Q.ty	Pallet: Weight

Certificates	Manufacturer	Sectors
	Pure Resin	Industrial



Pure Resin PA300



- Macroporous Weak Base Anion Exchange Resin;
- It is a macroporous polystyrene weak-base anion exchange resin having tertiary amine functionality;
- It has superior kinetics and greater resistance to oxidation and osmotic shock, high chemical and physical stability;
- Intended primarily for use in multiple bed demineralizers;
- It can be used in a two-bed system following a strong acid cation exchanger such as Pure PC003 where weak acid ions (silica and carbon dioxide) do not have to be removed;
- It can also be used in a separate bed, ahead of the strong base exchanger to remove organics and strong acid ions;
- Shipped in 25 liter bags.

Ref	Description	Fam.	Subfam.	Disp. Stock	
RA350	WEAK ANION MACROPOROUS PURE RESIN PA300	065	300	•	

Typical Physical	
Polymer Matrix Structure	Polystyrene crosslinked with divinylbenzene
Functional Group	R-N-(CH ₃) ₂
Ionic Form, as shipped	Free Base
Physical Form and Appearance	Spherical Beads
Sphericity	95% min
Screen Size Range US Standard Screen	16 ÷ 50 mesh, wet
Particle Size Range	+1,2 mm < 5%, - 0,3 mm < 1%
Uniformity Coefficient	1,6 max
Water Retention, Cl ⁻ form	50 ÷ 60%
Swelling Cl ⁻ → OH ⁻	25% max.
Weight, Cl ⁻ form	650 ÷ 720 g/l (42 lbs/cu.ft, approx.)
Total Exchange Capacity, Cl ⁻ form	1,4 eq/l min.
pH Range	0 ÷ 14

Suggested Operating Conditions	
Maximum Temperature	100°C (212°F) max
Minimum Bed Depth	0,6 m (24")
Backwash Rate	50 ÷ 75% Bed Expansion
Regeneration	
Regenerant Concentration	2 ÷ 6% NaOH
Flow Rate	2 ÷ 8 BV/h (0,25 ÷ 1,00 gpm/cu.ft)
Contact Time	At least 60 Minutes
Displacement Rinse Rate	Same as Regenerant Flow Rate
Displacement Rinse Volume	1,4 ÷ 2 BV (10 ÷ 15 gallons/cu.ft)
Fast Rinse Rate	Same as Service Flow Rate
Fast Rinse Volume	4,9 ÷ 8 BV (35 ÷ 60 gallons/cu.ft)
Service Flow Rate	16 ÷ 32 BV/h (2,0 ÷ 4,0 gpm/cu.ft)

Box: WxLxH	Box: Q.ty	Box: Weight	Pallet: WxLxH	Pallet: Q.ty	Pallet: Weight

Certificates	Manufacturer	Sectors
	Pure Resin	Industrial



Pure Resin PA202



- Nitrate Selective Resin;
- Macroporous strong base anion exchange resin supplied in the chloride form as moist, tough, spherical beads, specially designed for the removal of nitrates from water;
- The macroporous matrix and special ion exchange group functionality imparts ideal nitrate selectivity to Pure PA202 making this resin particularly suitable for nitrate removal even when moderate to high sulphate concentrations are present;
- Shipped in 25 liter bags.

Ref	Description	Fam.	Subfam.	Disp. Stock
RA360	STRONG ANION NITRATES SELECTIVE PURE RESIN PA202	065	300	•

Typical Physical	
Polymer Matrix Structure	Macroporous, Styrene with DVB
Functional Group	R-N-R3+ Cl-
Ionic Form, as shipped	Cl-
Physical Form and Appearance	Clear Spherical Beads
Sphericity	95% min
Screen Size Range US Standard Screen	16 ÷ 50 mesh, wet
Particle Size Range	+1,2 mm < 5%, - 0,3 mm < 1%
Uniformity Coefficient	1,6 max
Water Retention, Cl- form	52 ÷ 56%
Shipping Weight	680 ÷ 730 g/l (42 ÷ 45,5 lbs/cu.ft, approx.)
Total Exchange Capacity	1,0 eq/l min.
Max Operating Temperature	100°C (212°F) max.
pH Range	0 ÷ 14

Suggested Operating Conditions	
Maximum Operating Temperature	100°C (212°F) max
Working Exchange Capacity 25°C	≥ 0,3 meq/l (wet)
Concentration of Regenerate Solution	NaCl: 8 ÷ 10%
Consumption of Regenerate	NaCl (8 ÷ 10%) Vol. : Resin Vol. = 2 ÷ 3 : 1
Flow Rate of Regenerate Solution	4 ÷ 6 (m/hr)
Flow Rate of Regenerate Solution	30 ÷ 60 (minute)
Rinse Flow Rate	15 ÷ 25 (m/hr)
Rinse Time (minute)	25 (approx.)
Operating Flow Rate	15 ÷ 25(m/hr)

Box: WxLxH	Box: Q.ty	Box: Weight	Pallet: WxLxH	Pallet: Q.ty	Pallet: Weight

Certificates	Manufacturer	Sectors
DM174-2004	Pure Resin	Domestic, Commercial, Industrial



Pure Resin PMB101-2



- Mixed Bed Resin;
- It is a high capacity mixed bed ion exchange resin consisting of a mixture of a gel, Type I strong base anion resin and a gel strong acid cation resin for direct water purification;
- The conductivity is around 0,1 us/cm;
- Suitable for use in regenerable or non-regenerable cartridges, for deionization with high silica removal efficiency and refine water for electrical home applications;
- Shipped in 25 liter bags.

Ref	Description	Fam.	Subfam.	Disp. Stock
RA370	MIXED BED PURE RESIN PMB101-2	065	300	•

Typical Physical	
Polymer Matrix Structure	Gel polystyrene crosslinked with DVB
Functional Group: Cation	R-SO ₃ - H ⁺
Functional Group: Anion	R ₄ -N-OH ⁻
Ionic Form, as shipped	H ⁺ / OH ⁻
Physical Form and Appearance	Spherical Beads
Sphericity	95% min
Screen Size Range US Standard Screen	16 ÷ 50 mesh, wet
Particle Size Range	+1,2 mm < 5%, - 0,3 mm < 1%
Volume Ratio (as shipped) Cation	40% PC003H
Volume Ratio (as shipped) Anion	60% PA101OH
Total Exchange Capacity, Cation (in Na ⁺ form)	2,0 eq/l min.
Total Exchange Capacity, Cation (in H ⁺ form)	1,9 eq/l min.
Total Exchange Capacity, Anion (in Cl ⁻ form)	1,0 eq/l min.
Total Exchange Capacity, Anion (in OH ⁻ form)	1,0 eq/l min.
Water Retention, H ⁺ form	45 ÷ 50%
Water Retention, OH ⁺ form	53 ÷ 60%
Water Retention, H ⁺ form	700 ÷ 740 g/l (44 ÷ 46 lbs/cu.ft, approx.)
Max temperature	60°C (140°F)
pH Range	0 ÷ 14

Suggested Operating Conditions	
Minimum Bed Depth	0,6 m (24")
Service Flow Rate	20 ÷ 60 BV/h (2,5 ÷ 7,5 gpm/cu.ft)
Limitations	Extended exposure to strong oxidizers, such as chlorine, hydrogen peroxide and concentrated nitric acid, degrade the structural backbone of the resin and should be avoided

Box: WxLxH	Box: Q.ty	Box: Weight	Pallet: WxLxH	Pallet: Q.ty	Pallet: Weight

Certificates	Manufacturer	Sectors
	Pure Resin	Industrial



Pure Resin PMB102-2



- Mixed Bed Resin;
- It is a high capacity mixed bed ion exchange resin consisting of a mixture of a gel, Type I strong base anion resin and a gel strong acid cation resin for direct water purification;
- The conductivity is around 0,1 us/cm;
- Suitable for use in regenerable or non-regenerable cartridges, for deionization with high silica removal efficiency and applications for treatment of the R.O. permeate;
- Shipped in 25 liter bags.

Ref	Description	Fam.	Subfam.	Disp. Stock	
RA372	MIXED BED PURE RESIN PMB102-2 (REFINING PERMEATE WATER)	065	300	•	

Typical Physical	
Polymer Matrix Structure	Gel polystyrene crosslinked with DVB
Polymer Matrix Structure: Cation	R-SO3- H+
Polymer Matrix Structure: Anion	R4-N-OH-
Ionic Form, as shipped	H+ / OH-
Ionic Form, as shipped	Spherical Beads
Sphericity	95% min
Screen Size Range US Standard Screen	16 ÷ 50 mesh, wet
Particle Size Range	+1,2 mm < 5%, - 0,3 mm < 1%
Volume Ratio (as shipped): Cation	40% PC003H
Volume Ratio (as shipped): Anion	60% PA1020H
Total Exchange Capacity, (Cation (in Na+ form))	2,0 eq/l min.
Total Exchange Capacity, Cation (in H+ form)	1,9 eq/l min.
Total Exchange Capacity, Anion (in Cl- form)	1,3 eq/l min.
Total Exchange Capacity, Anion (in OH- form)	1,0 eq/l min.
Water Retention, H+ form	45 ÷ 50%
Water Retention, OH+ form	48 ÷ 58%
Shipping Weight (Approx.)	700 ÷ 740 g/l (44 ÷ 46 lbs/cu.ft, approx.)
Max temperature: Non-regenerative bed	100°C (212°F)
Max temperature: Regenerative bed	60°C (140°F)
pH Range	0 ÷ 14

Suggested Operating Conditions	
Minimum Bed Depth	0,6 m (24")
Service Flow Rate	20 ÷ 60 BV/h (2,5 ÷ 7,5 gpm/cu.ft)
Limitations	Extended exposure to strong oxidizers, such as chlorine, hydrogen peroxide and concentrated nitric acid, degrade the structural backbone of the resin and should be avoided

Box: WxLxH	Box: Q.ty	Box: Weight	Pallet: WxLxH	Pallet: Q.ty	Pallet: Weight

Certificates	Manufacturer	Sectors
	Pure Resin	Industrial



Pure Resin PMB101-3



- Mixed Bed Resin;
- It is a high capacity mixed bed ion exchange resin consisting of a mixture of a gel, Type I strong base anion resin and a gel strong acid cation resin for direct water purification;
- The conductivity is around 0,06 us/cm;
- Suitable for use in regenerable or non-regenerable cartridges, for deionization with high silica removal efficiency and ultrapure water production applications;
- Shipped in 25 liter bags.

Ref	Description	Fam.	Subfam.	Disp. Stock	
RA374	MIXED BED PURE RESIN PMB101-3 (PURE WATER 12 - 16 MOhm)	065	300	•	

Typical Physical	
Polymer Matrix Structure	Gel polystyrene crosslinked with DVB
Functional Group: Cation	R-SO3- H+
Functional Group: Anion	R4-N-OH-
Ionic Form, as shipped	H+ / OH-
Physical Form and Appearance	Spherical Beads
Sphericity	95% min
Screen Size Range US Standard Screen	16 ÷ 50 mesh, wet
Particle Size Range	+1,2 mm < 5%, - 0,3 mm < 1%
Volume Ratio (as shipped) Cation	40% PC003H
Volume Ratio (as shipped) Anion	60% PA1010H
Total Exchange Capacity, Cation (in Na+ form)	2,0 eq/l min.
Total Exchange Capacity, Cation (in H+ form)	1,9 eq/l min.
Total Exchange Capacity, Anion (in Cl- form)	1,3 eq/l min.
Total Exchange Capacity, Anion (in OH- form)	1,0 eq/l min.
Water Retention, H+ form	45 ÷ 50%
Water Retention, OH+ form	53 ÷ 60%
Shipping Weight (Approx.)	700 ÷ 740 g/l (44 ÷ 46 lbs/cu.ft, approx.)
Max temperature: Non-regenerative bed	100°C (212°F)
Max temperature: Regenerative bed	60°C (140°F)
pH Range	0 ÷ 14

Suggested Operating Conditions	
Minimum Bed Depth	0,6 m (24")
Service Flow Rate	20 ÷ 60 BV/h (2,5 ÷ 7,5 gpm/cu.ft)
Limitations	Extended exposure to strong oxidizers, such as chlorine, hydrogen peroxide and concentrated nitric acid degrade the structural backbone of the resin and should be avoided.

Box: WxLxH	Box: Q.ty	Box: Weight	Pallet: WxLxH	Pallet: Q.ty	Pallet: Weight

Certificates	Manufacturer	Sectors
	Pure Resin	Industrial



Pure Resin PMB101 IND-2



- Mixed Bed Resin;
- It is a high capacity indicated mixed bed ion exchange resin consisting of a mixture of a gel, Type I strong base anion resin and a gel strong acid cation resin for direct purification of water;
- The conductivity is 0,1 us/cm max.;
- Suitable for use in regenerable or non-regenerable cartridges, for deionization with high silica removal efficiency and refine water for electrical home applications;
- It changes color from violet to yellow on exhaustion which contains an indicator showing when the resin is exhausted and can no longer treat the water;
- Shipped in 25 liter bags.

Ref	Description	Fam.	Subfam.	Disp. Stock	
RA378	MIXED BED PMB 101 IND-2 W/INDICATOR FOR STRONG CATION GEL PURE RESIN PC	065	300	•	

Typical Physical	
Polymer Matrix Structure	Gel polystyrene crosslinked with DVB
Functional Group: Cation	R-SO ₃ - H+ (color: Violet → Yellow) R4 N+OH-
Functional Group: Anion	R4-N-OH-
Ionic Form, as shipped	H+ / OH-
Physical Form and Appearance	Spherical Beads
Sphericity	95% min
Screen Size Range US Standard Screen	16 ÷ 50 mesh, wet
Particle Size Range	+1,2 mm < 5%, - 0,3 mm < 1%
Volume Ratio (as shipped) Cation	40% PC003H
Volume Ratio (as shipped) Anion	60% PA1010H
Total Exchange Capacity, Cation (in Na+ form)	1,3 eq/l min.
Total Exchange Capacity, Anion (in Cl- form)	1,3 eq/l min.
Water Retention, H+ form	45 ÷ 50%
Water Retention, OH+ form	53 ÷ 60%
Shipping Weight (Approx.)	700 ÷ 740 g/l (44 ÷ 46 lbs/cu.ft, approx.)
Max temperature: Non-regenerative bed	100°C (212°F)
Max temperature: Regenerative bed	60°C (140°F)
pH Range	0 ÷ 14

Suggested Operating Conditions	
Minimum Bed Depth	0,6 m (24")
Minimum Bed Depth	20 ÷ 60 BV/h (2,5 ÷ 7,5 gpm/cu.ft)
Limitations	Extended exposure to strong oxidizers, such as chlorine, hydrogen peroxide and concentrated nitric acid, degrade the structural backbone of the resin and should be avoided

Box: LxPxH	Box: Q.ty	Box: Peso	Pallet: LxPxH	Pallet: Q.ty	Pallet: Peso

Certificates	Manufacturer	Sectors
	Pure Resin	Industrial



Pure Resin PMB101 IND-3



- Mixed Bed Resin;
- It is a high capacity indicated mixed bed ion exchange resin consisting of a mixture of a gel, Type I strong base anion resin and a gel strong acid cation resin for direct purification of water;
- The conductivity is 0,1 us/cm max.;
- Suitable for use in regenerable or non-regenerable cartridges, for deionization with high silica removal efficiency and refine water for electrical home applications;
- It changes color from blue to yellow on exhaustion which contains an indicator showing when the resin is exhausted and can no longer treat the water;
- Shipped in 25 liter bags.

Ref	Description	Fam.	Subfam.	Disp. Stock	
RA380	MIXED BED PMB 101 IND-3 W/INDICATOR FOR STRONG ANION GEL PURE RESIN PA101	065	300	•	

Typical Physical	
Polymer Matrix Structure	Gel polystyrene crosslinked with DVB
Functional Group: Cation	R-SO3- H+
Functional Group: Anion	R4 N+OH- (color: Blue → Yellow)
Ionic Form, as shipped	H+ / OH-
Physical Form and Appearance	Spherical Beads
Sphericity	95% min
Screen Size Range US Standard Screen	16 ÷ 50 mesh, wet
Particle Size Range	+1,2 mm < 5%, - 0,3 mm < 1%
Volume Ratio (as shipped) Cation	40% PC003H
Volume Ratio (as shipped) Anion	60% PA101OH
Total Exchange Capacity, Cation (in Na+ form)	2,0 eq/l min.
Total Exchange Capacity, Anion (in Cl- form)	1,3 eq/l min.
Water Retention, H+ form	45 ÷ 50%
Water Retention, OH+ form	53 ÷ 60%
Shipping Weight (Approx.)	700 ÷ 740 g/l (44 ÷ 46 lbs/cu.ft, approx.)
Max temperature: Non-regenerative bed	100°C (212°F)
Max temperature: Regenerative bed	60°C (140°F)
pH Range	0 ÷ 14

Suggested Operating Conditions	
Minimum Bed Depth	0,6 m (24")
Service Flow Rate	20 ÷ 60 BV/h (2,5 ÷ 7,5 gpm/cu.ft)
Limitations	Extended exposure to strong oxidizers, such as chlorine, hydrogen peroxide and concentrated nitric acid, degrade the structural backbone of the resin and should be avoided

Box: WxLxH	Box: Q.ty	Box: Weight	Pallet: WxLxH	Pallet: Q.ty	Pallet: Weight

Certificates	Manufacturer	Sectors
	Pure Resin	Industrial



Pure Resin PS400



- Selective removal of polyvalent ions;
- Macroporous Weak Acid Cation Exchange Resin;
- it is based on the iminodiacetic acid functional group, which has chelating properties for heavy metal ions even against high concentrations of calcium;
- It finds use in processes for extraction and recovery of metals from ores, galvanic plating solutions, picking baths and effluents;
- Shipped in 25 liter bags.

Ref	Description	Fam.	Subfam.	Disp. Stock
RA376	WEAK CATION POLYVALENT IONS SELECTIVE PURE RESIN PS400	065	300	•

Typical Physical	
Polymer Matrix Structure	Macroporous, Styrene / DVB
Functional Group	Iminodiacetic
Functional Group	Na+
Physical Form and Appearance	Milky White Spherical Beads
Sphericity	95% min
Screen Size Range US Standard Screen	16 ÷ 50 mesh, wet
Particle Size Range	0,30 ÷ 1,20 mm ≥ 95
Uniformity Coefficient	1,6 max.
Water Retention, Na+ form	55 ÷ 65%
Reversible Swelling H+ → Na+	40% max.
Shipping Weight	720 ÷ 780 g/l (45 lbs/cu.ft, approx.)
Total Exchange Capacity, Na+ form	≥ 1.0 meq/ml
pH Range	6 ÷ 11

Suggested Operating Conditions	
Maximum Temperature, H+ form	100°C (212°F) max.
Operating Flow Rate	15 ÷ 45 (m/hr)
Method of Regeneration	pass 1 eq/l HCl 2~4 BV in 1~1,5 hours, rinse with DI water or soft water until pH = 3~4; pass 1 eq/l NaOH 2~4 BV in 1,5~2 hours, rinse with DI water or soft water until pH = 9

Box: WxLxH	Box: Q.ty	Box: Weight	Pallet: WxLxH	Pallet: Q.ty	Pallet: Weight

Certificates	Manufacturer	Sectors
DM174-2004	Pure Resin	Industrial



Greensand Plus



- Filter media used for removing soluble iron, manganese, hydrogen sulphide, arsenic and radium from well water supplies;
- The Manganese Greensand Plus has a manganese dioxide coated surface that acts as a catalyst in the oxidation-reduction of iron and manganese;
- The silica sand core allows to better withstand operating conditions in waters that are low in silica, TDS and hardness;
- A pre-filtration with sand and anthracite is recommended;
- The Manganese Greensand Plus can be used in CR (continuous regeneration) or IR (intermittent regeneration) and requires no changes in backwash rate or times or chemical feeds;
- The removal of iron and manganese can be made by using oxidant as chlorine, even in the presence of manganese;
- Not shipped in regenerated form; prior to use it is necessary to regenerate with a solution of potassium permanganate contacting the bed for a minimum of 4 hours. A regeneration level of 4 g of potassium permanganate per liter is recommended. Before placing in service the filter must be rinsed of all remaining traces of potassium permanganate;
- Dosage Cl₂ (mg/l) = 1 mg/l Fe + 3 mg/l Mn + 6 mg/l H₂S + 8 mg/l NH₃ for service flow rate continuous;
- Available in 14,2 liters bags.

Ref	Description	Fam.	Subfam.	Disp. Stock	
RA074	MANGANESE GREENSAND PLUS BAG 14,2 LT	065	315	•	

Physical properties		Operating conditions	
Colour	black	pH range	6,2 ÷ 8,8
Specific gravity (g/l)	2400	Service flow rate continuous / intermittent (m ³ /h m ²)	12 ÷ 29
Bulk density (g/l)	1410	Backwash flow rate @13°C (m ³ /h m ²)	30
Effective size (mm)	0,30 ÷ 0,35	Backwash bed expansion (%)	35 ÷ 40
Uniform coefficient	1,6	Pressure drop (psi)	10 ÷ 18

Recommended Operating Guidelines	Intermittently Regeneration (IR)	Recommended Operating Guidelines	
Minimum bed depth (mm)	750 single media:380 each for dual media beds	Minimum bed depth (mm)	500 Greensand Plus and 380 Anthracite
Backwash Duration	10 minutes (until water is CLEAR)	Backwash Duration	10 minutes (until water is clear)
Regenerant Dosage 6,5% Bleach	65 liters / m ³ diluted in approx. 25 liters of water injected over 30 ÷ 40 minutes		
Regenerant Dosage 12% Bleach	25 liters / m ³ diluted in approx. 25 liters of water injected over 30 ÷ 40 minutes		

Box: WxLxH	Box: Q.ty	Box: Weight	Pallet: WxLxH	Pallet: Q.ty	Pallet: Weight

Certificates	Manufacturer	Sectors
NSF61		Domestic, Commercial, Industrial



MTM



- MTM consist of a light weight granular core with a coating of manganese dioxide, and is used for reducing iron, manganese and hydrogen sulphide from water. Its active surface coating oxidizes and precipitate soluble iron and manganese, and hydrogen sulphide is oxidized to a sulphur. The precipitates are filtered out in the granular bed and removed by backwashing;
- Compared to other iron removal medias, MTM has many advantages: pH level as low as 6,2 can be treated, dissolved oxygen is not essential, the media light weight reduces backwash water requirements;
- Chlorine can be beneficial in extending filter run times;
- MTM requires intermittent or continuous regeneration to maintain its oxidizing capacity, with a weak solution of potassium permanganate;
- Regeneration KMnO4 solution from 1,5 to 2 g per liter MTM;
- A new bed should be regenerated at the start up;
- CAUTION: operating the filter after its oxidizing capacity is exhausted will reduce its service life and may cause staining;
- Influent limitations: none oil and polyphosphates;
- Available in 28,3 liters bags.

Ref	Description	Fam.	Subfam.	Disp. Stock	
RA071	MTM BAG 28.3 LT.	065	315	•	

PHYSICAL PROPERTIES		OPERATING CONDITIONS	
Colour	dark brown	Bed depth (mm)	600 ÷ 900
Specific gravity (g/l)	2000	Service flow rate (m3/h m2)	8 ÷ 13
Bulk density (g/l)	715	Backwash flow rate (m3/h m2)	20 ÷ 24
Effective size (mm)	0,45	Backwash bed expansion (%)	20 ÷ 40
		Capacity per liter (g)	1,4 Fe or 0,7 Mn
		pH range	6,2 ÷ 8,5

Box: WxLxH	Box: Q.tà	Box: Weight	Pallet: WxLxH	Pallet: Q.tà	Pallet: Weight

Certificates	Manufacturer	Sectors
NSF61	Clack	Domestic, Commercial, Industrial



BIRM



- Granular filter media used for the reduction of iron and manganese dissolved in the water. In ground water the dissolved iron is usually in the ferrous bicarbonate state and is not filterable; BIRM acts as an insoluble catalyst to enhance the reaction between dissolved oxygen and iron compounds, producing ferric hydroxide which precipitates and may be easily filtered;
- The physical characteristics of BIRM provide an excellent filter media which is easily cleaned by backwashing to remove the precipitant;
- BIRM is not consumed in the iron removal operation;
- Available in 28,3 liters bags;
- Following are the conditions necessary for a good efficiency of the BIRM:
 - No Oil, Hydrogen Sulphide and Polyphosphates in the water;
 - o pH 6,8 ÷ 9,0 (if water contains also manganese pH has to be 8,0 ÷ 8,5);
 - o dissolved oxygen content must be equal to at least 15% of the iron content and 29% of the manganese content;
 - o alkalinity should be greater than two times the combined sulphate and chloride concentration;
 - o less than 5 ppm TOC.

Ref	Description	Fam.	Subfam.	Disp. Stock	
RA072	BIRM REGULAR BAG 28.3 LT.	065	315	•	

PHYSICAL PROPERTIES		OPERATING CONDITIONS	
Colour	black	Bed depth (mm)	750 ÷ 900
Specific gravity (g/l)	2000	Service flow rate (m3/h m2)	9 ÷ 13
Bulk density (g/l)	560 ÷ 640	Backwash flow rate (m3/h m2)	24 ÷ 30
Mesh Size	12 x 50	Backwash bed expansion (%)	20 ÷ 40
Effective Size (mm)	0,48		
Effective Size (mm)	2,7		

Box: WxLxH	Box: Q.ty	Box: Weight	Pallet: WxLxH	Pallet: Q.ty	Pallet: Weight

Certificates	Manufacturer	Sectors
NSF61	Clack	Domestic, Commercial, Industrial



Pyrolusite



- PYROLUSITE is manganese dioxide (MnO₂) of very good quality and pureness obtained by washing, drying and screening of mineral selected for the specific catalytic activity;
- Used as catalyser for the reduction of iron and manganese dissolved in the water, by sand filters, mixed 20÷50 % with sand 0,4÷0,8 / 0,7÷1,2 mm;
- Does not require a compulsory regeneration with KMnO₄ , but you can do a continuous chlorination or a chlorination during the backwash;
- Hardness 3° ÷ 5° Mosh;
- Available in 25 kg bags.

Ref	Description	Fam.	Subfam.	Disp. Stock	
RA069	PYROLUSITE (MANGANESE DIOXIDE) BAG 25 KG	065	315	•	

Physical Properties	
Colour	brown
Bulk density (g/l)	2000
Effective size (mm)	0,3 ÷ 0,8
Mn (%)	80

Operating Conditions	
Composition	Mixed 20÷50 % with sand 0,4÷0,8 / 0,7÷1,2 mm
Suggested filtration speed (m/h)	≤ 10
Max backwash speed (m ³ /h m ²)	25
Min contact time (min)	6
Range pH	6,5 ÷ 8,5

Box: WxLxH	Box: Q.ty	Box: Weight	Pallet: WxLxH	Pallet: Q.ty	Pallet: Weight

Certificates	Manufacturer	Sectors
STANDARD EN 13752	MWG	Domestic, Commercial, Industrial



Activated Carbon



- RA204 activated carbon is not suitable for treatment of water intended for human consumption; In granular form;
- Suitable for Chlorine, chemical oxidants, chlorinated compounds and organic contaminants dissolved in water;
- activated carbon require periodic backwashing to eliminate accumulated suspended matters and to regrade the filter bed;
- A good backwashing of the AC filter bed of the start-up is required.
- Mainly bituminous origin coal activated carbons are carefully selected, with a thermal activation process at strictly controlled temperature to obtain a large surface area and a mesoporous structure allowing the adsorption of high molecular weight organic compounds in particular hydrocarbons, atrazine, surfactants; Mainly vegetal (coconut base) activated carbons are suitable for applications that need good resistance to the attrition and mechanical shocks; they have a microporous structure allowing the adsorption of low molecular weight organic compounds in particular trichloroethylene, tetrachloroethylene.

Ref	Description	Fam.	Subfam.	Disp. Stock	
RA204	BAG 25 KG CARB. CYLINDRICAL MIN. SC 45 (47 LT. ABOUT)	065	305	•	
RA201	BAG 25 KG CARB. MIN. GAC 830 M (52 LT. ABOUT)	065	305	•	
RA202	BAG 25 KG CARB. MIN. GAC 1240 M (52 LT. ABOUT)	065	305	•	
RA212	BAG 25 KG CARB. MIN. NORIT GAC 830 W	065	305		
RA212A	BIG BAG 500 KG CARB. MIN NORIT GAC 830 W	065	305		
RA214	BAG 25 KG CARB. MIN. NORIT GAC 1240 W	065	305		
RA214A	BIG BAG 500 KG CARB. MIN. NORIT GAC 1240 W	065	305		
RA206	BAG 25 KG CARB. GAC 8X30 VEGETAL	065	305	•	
RA208	BAG 25 KG CARB. GAC 12X40 VEGETAL	065	305	•	

Ref	Type	Origin	Size(mm)	Bulk density (g/l)	Bet (m ² /g)	Iodine number (mg/g)	Ash content (%)
RA204	SC45 cylindrical	Mineral	4	530	700	750	12
RA201	GAC 8x30	Mineral	0,6 ÷ 2,4	480	1100	1000	12
RA202	GAC 12x40	Mineral	0,4 ÷ 1,7	480	1100	1000	12
RA212	Norit GAC 8x30	Mineral	0,6 ÷ 2,4	500	1100	950	12
RA212A	Norit GAC 8x30	Mineral	0,6 ÷ 2,4	500	1100	950	12
RA214	Norit GAC 12x40	Mineral	0,4 ÷ 1,7	500	1100	950	12
RA214A	Norit GAC 12x40	Mineral	0,4 ÷ 1,7	500	1100	950	12
RA206	GAC 8x30	Vegetal	0,6 ÷ 2,4	500	1250	1100	3
RA208	GAC 12x40	Vegetal	0,4 ÷ 1,7	500	1250	1100	3

Operating conditions	
Bed depth (mm) (dechlorination)	650 ÷ 750
Service flow rate (m ³ /h m ²) (dechlorination)	12 ÷ 15
Backwash flow rate (m ³ /h m ²)	24 ÷ 30
Backwash bed expansion (%)	30 ÷ 40

Box: WxLxH	Box: Q.ty	Box: Weight	Pallet: WxLxH	Pallet: Q.ty	Pallet: Weight

Certificates	Manufacturer	Sectors
STANDARD EN 12915-1:2004 (eccetto RA204)	MWG	Commercial, Industrial



Acid Washed Activated Carbon



- High quality granular activated carbon produced by physical activation of selected raw material of mineral origin;
- It is further washed with acid in order to reduce the ash content;
- Particularly effective for the removal of organic pollutants, dyes, pesticides, chlorinated and aromatic solvents, phenols, tannins, chlorine derivatives and compounds that cause bad smells and tastes in drinking water;
- Suitable for different applications such as the purification of water intended for human consumption, the purification of wastewater, of process and condensates. It is also used in the purification and discoloration processes of intermediates chemical and food products;
- It can be thermally reactivated once its adsorbing capacity is exhausted;
- Available in 25 kg bags.

Ref	Description	Fam.	Subfam.	Disp. Stock	
RA222	BAG 25 KG CARB. GAC 12X30 MINERAL ACID WASHED	065	305	•	

GENERAL PROPERTIES			
Iodine number	Astm D 4607	mg / g	1.000
Moisture as packed	Astm D 2867	%	2
Size	Astm D 2862	Mesh	12 x 30
Methylene blue index	12 Mesh / 30 Mesh	%	5 - 5
Indice Blu di Metilene	Cefic Dab VI	ml	18
CCl4 adsorption	Astm D 3467	%	60
Surface area (B.E.T.)	Astm D 3663	m ² /g	1.100
Bulk density	Astm D 2854	kg/m ³	460
Density after back-washing and draining		kg/m ³	420
Iron (acid extraction)		ppm	300
Hardness	Astm D 3802	%	95
Ash content	Astm D 2866	%	8
pH	Astm D 3838	-	neutral

Box: WxLxH	Box: Q.ty	Box: Weight	Pallet: WxLxH	Pallet: Q.ty	Pallet: Weight

Certificates	Manufacturer	Sectors
STANDARD EN 12915	MWG	Domestic, Commercial, Industrial



Filter Sand and Gravel



- REF. RA049, RA050, RA051, RA052 and RA053;
- Filter sand and gravel shape of alluvium origin, uncrushed;
- High contents of silica, selected for specific use in water filtration for potable and industrial application;
- Hardness 7° Mosh.

Ref	Description	Fam.	Subfam.	Disp. Stock	
RA049	QUARTZ SAND 0.4 - 0.8 BAG 25 KG	065	310	•	
RA050	QUARTZ SAND 0.8 - 1.2 BAG 25 KG	065	310	•	
RA051	QUARTZ SAND 1 - 2 BAG 25 KG	065	310	•	
RA053	QUARTZ SAND 2 - 3 BAG 25 KG	065	310	•	
RA052	QUARTZ SAND 3 - 5 BAG 25 KG	065	310	•	

Ref	Description	SIZE (mm)
RA049	QUARTZ SAND 0.4 - 0.8 BAG 25 KG	0,4 ÷ 0,8
RA050	QUARTZ SAND 0.8 - 1.2 BAG 25 KG	0,8 ÷ 1,2
RA051	QUARTZ SAND 1 - 2 BAG 25 KG	1,0 ÷ 2,0
RA053	QUARTZ SAND 2 - 3 BAG 25 KG	2,0 ÷ 3,0
RA052	QUARTZ SAND 3 - 5 BAG 25 KG	3,0 ÷ 5,0

Physical properties	
Colour	white
Specific gravity (g/l)	2650
Bulk density (g/l)	1500
SiO2 content	> 96 %
Humidity	0,3 % max
Melting point	1700 g/c
pH	8

Operating conditions	
Bed depth (mm) (sand filter)	450 ÷ 750
Service flow rate (m3/h m2)	8 ÷ 12
Backwash flow rate (m3/h m2)	30 ÷ 42
Backwash bed expansion (%)	5 ÷ 10

Box: WxLxH	Box: Q.ty	Box: Weight	Pallet: WxLxH	Pallet: Q.ty	Pallet: Weight

Certificates	Manufacturer	Sectors
STANDARD EN 12904		Domestic, Commercial, Industrial



Anthracite



- Granular anthracite selected per gradation, hardness and purity for specific use in potable and industrial water filtration;
- The high filtering efficiency of anthracite is due to its angular shape, that allows high filtering speed, longer filter runs and less head loss;
- Excellent media with density lower than sand, the anthracite is usually used in multimedia filters;
- Minimum carbon contents 90%, low silica, hardness 3° Mosh average.

Operating conditions:

- Monolayer bed depth 600 ÷ 900 mm;
- Top bed depth in multilayer beds 250 ÷ 450 mm;
- Service flow rate following specific conditions;
- Backwash flow rate 28 ÷ 35 m³/h m²;
- Bed expansion 20 ÷ 30%.

Ref	Description	Fam.	Subfam.	Disp. Stock	
RA060	ANTHRACITE 0.6 - 1.0 BAG 25 KG	065	310	•	
RA061	ANTHRACITE 2 - 3 BAG 25 KG.	065	310	•	
RA061A	ANTHRACITE 2 - 3 BIG BAG 1000 KG	065	310		

Ref	Description	SIZE (mm)
RA060	ANTHRACITE 0.6 - 1.0 BAG 25 KG	0,6 ÷ 1,0
RA061	ANTHRACITE 2 - 3 BAG 25 KG.	2,0 ÷ 3,0
RA061A	ANTHRACITE 2 - 3 BIG BAG 1000 KG	2,0 ÷ 3,0

Physical properties	
Bulk density (g/l)	950
Absolute density (g/l)	1400
Humidity packaging	2 % max
Ashes	4 % (±2)
Substances volatiles	3 % (±1)
Sulphur	0,5 % max
pH	8 ÷ 10

Box: WxLxH	Box: Q.ty	Box: Weight	Pallet: WxLxH	Pallet: Q.ty	Pallet: Weight

Certificates	Manufacturer	Sectors
STANDARD EN 12909		Domestic, Commercial, Industrial



Calcite



- CALCITE is a natural crushed and screened calcium carbonate media which is used to neutralize low pH waters;
- Acidic water slowly dissolves the calcium carbonate to raise the pH which reduces the potential leaching of copper, lead and other metals found in typical plumbing systems;
- One of the advantages of CALCITE is its self-limiting property, that corrects pH only enough to reach a non corrosive equilibrium;
- Of course CALCITE will increase the hardness of the water;
- Periodic backwashing of the bed is necessary to keep in working order the system;
- The CALCITE bed will have to be periodically replenished as the CALCITE is depleted;
- Gravel support bed is recommended;
- Available in 15,6 liters bags.

Ref	Description	Fam.	Subfam.	Disp. Stock	
RA073	CALCITE BAG 15.6 LT.	065	320	•	

Physical properties	
Colour	white
Specific gravity (g/l)	2700
Bulk density (g/l)	1450
Effective size (mm)	0,4 ÷ 1,1
Composition	CaCO3 95% min. MgCO3 3% max
Operating conditions	
Bed depth (mm)	600 ÷ 750
Service flow rate (m3/h m2)	7 ÷ 15
Backwash flow rate (m³/h m²)	20 ÷ 30
Backwash bed expansion (%)	≥ 50
pH range	5,0 ÷ 7,0

Box: WxLxH	Box: Q.ty	Box: Weight	Pallet: WxLxH	Pallet: Q.ty	Pallet: Weight

Certificates	Manufacturer	Sectors
NSF60		Domestic, Commercial, Industrial



Filter AG



- Filter-Ag is a non-hydrous silicon dioxide media which can be used as highly efficient filter media for the reduction of suspended matter. Its fractured edges and irregular surface provides an high surface area and complex flow path for efficient filtration;
- Less pressure loss through a bed of Filter-Ag than through most other filter medias;
- Light weight requires lower backwash rates than other filter medias;
- Upon installation allow bed to soak overnight before backwashing;
- Available in 28,3 liters bags.

Ref	Description	Fam.	Subfam.	Disp. Stock
RA059	FILTER AG - BAG 28,3 LT	065	310	•

Physical properties	
Colour	light grey
Specific gravity (g/l)	2250
Specific gravity (g/l)	380 ÷ 420
Effective size (mm)	0,5 ÷ 2,0

Operating conditions	
Bed depth (mm)	600 ÷ 900
Service flow rate (m3/h m2)	12 ÷ 13
Backwash flow rate (m3/h m2)	20 ÷ 24
Backwash bed expansion (%) of bed depth	20 ÷ 40
Freeboard of bed depth (%)	≥ 50

Box: WxLxH	Box: Q.ty	Box: Weight	Pallet: WxLxH	Pallet: Q.ty	Pallet: Weight

Certificates	Manufacturer	Sectors
NSF61	Clack	Domestic, Commercial, Industrial



Filter AG Plus



- Filter-Ag Plus is a clinoptilolite natural media with a large surface area and microporous structure which can be used as highly efficient filter media for the reduction of suspended matter. Its irregular surface and 3 micron void spaces provides a surface area over 100 times greater than silica sand;
- Its low pressure drop, high service flow rates and high bed loadings combined with lower backwash frequency allow economy in equipment downsizing and reduced pumping requirements;
- Utilizing deep bed filtration can typically reduce suspended solids down to 5 micron or less range;
- Filter Ag Plus can be applied to systems designed for either pressure or gravity flow;
- Available in 28,3 liters bags.

Ref	Description	Fam.	Subfam.	Disp. Stock	
RA058	FILTER AG PLUS - BAG 28,3 LT	065	310	•	

Physical properties	
Colour	White to off white
Specific gravity (g/l)	2200
Bulk density (g/l)	800
Effective size (mm)	0,55

Operating conditions	
Bed depth (mm)	600 ÷ 1200 (900 for optimal filtration)
Service flow rate (m3/h m2)	30 ÷ 50
Backwash flow rate (m3/h m2)	35 ÷ 45
Backwash bed expansion (%) of bed depth	30 ÷ 40
Freeboard of bed depth (%)	≥ 50

Box: WxLxH	Box: Q.ty	Box: Weight	Pallet: WxLxH	Pallet: Q.ty	Pallet: Weight

Certificates	Manufacturer	Sectors
NSF61	Clack	Domestic, Commercial, Industrial



GFH (Granular Ferric Hydroxide)



- Granular ferric hydroxide GFH is an adsorbent for selective removal of arsenic (both arsenite and arsenate), phosphate, vanadium, antimony, lead, uranium, molybdenum and other heavy metals from natural water;
- Preoxidation is not required for arsenic removal applications;
- Once the media has exhausted its adsorption capacity, it is removed from the vessel and replaced with new media;
- The simplicity of this process is very attractive for small installations and wellhead applications;
- Active substance $\text{Fe}(\text{OH})_3 + \beta\text{-FeOOH}$;
- Dry solids content 58% ($\pm 10\%$);

Requirements for raw water

- Free of turbidity
- Positive redox potential
- No calcium precipitation

Ref	Description	Fam.	Subfam.	Disp. Stock
RA068	GRANULAR FERRIC HYDROXIDE DRUM 30 KG	065	315	•
RA068C	GRANULAR FERRIC HYDROXIDE BIG BAG 800 KG	065	315	•

Physical properties (with water content 45%):	
Density of grains (g/l)	1590
Bulk density (g/l) backwashed	1150 ($\pm 10\%$)
Particle size range (mm)	0,2 ÷ 2,0
Specific surface (m ² /g) (BET method)	circa 300
Porosity of grains (%)	72 ÷ 77
Bulk porosity (%)	22 ÷ 28
Iron content, relative to dry solids	600g / Kg ($\pm 10\%$)

Operating conditions	
Bed depth (m)	0,8 ÷ 1,6
Specific flow rate (m ³ /h m ²)	5 ÷ 20
Specific flow rate (m ³ /h m ²)	3 ÷ 6
Backwash flow rate (m ³ /h m ²)	26
Expansion free volume (%) of bed depth	50
Pressure loss max (bar)	0,5
Operation temperature max (°C)	60
AsO ₄ ³⁻ Arsenic adsorption density in the drinking water processing (g/kg)	1 ÷ 5

Box: WxLxH	Box: Q.ty	Box: Weight	Pallet: WxLxH	Pallet: Q.ty	Pallet: Weight

Certificates	Manufacturer	Sectors
STANDARD EN 15029 NSF61		Domestic, Commercial, Industrial



Ecomix



- ECOMIX is a granular filtering media, suitable for remove natural organic matter, hardness, iron, manganese and ammonia in a wide pH range and without any oxidant products dosage;
- ECOMIX is a homogeneous mixture of five high quality ion-exchange and adsorption materials of natural and synthetic origin;
- You can use ECOMIX as a ion-exchange resin and regenerate it with sodium chloride (NaCl);
- Wide range of raw water as indicated in the "Limit Concentration Table" below;
- ECOMIX can treat water with high concentration of Fe and Mn, and with max TDS = 4000 mg/l;
- To calculate filter capacity, one should only consider water hardness and ion-exchange capacity (don't consider Fe and Mn data);
- Shipping weight 0,75 kg / liter;
- Available in 12,0 liters bags.
- ECOMIX A is preferred when the contaminats to be removed are mainly Ammonia, Hardness, Iron and Manganese, and you have a little quantity of organic matter;
- ECOMIX C is preferred when the contaminats to be removed are mainly Ammonia, Hardness, Iron and Manganese, and you have a big quantity of organic matter;
- ECOMIX P is preferred when the contaminats to be removed are mainly Hardness, Iron and Manganese;
- **Warning:** if you use only a part of the product contained in a bag, you have make sure that all the contents are mixed, in order to homogenize the product before spilling. ECOMIX is a mixture of five materials with different specific weight and different particle size, which if not well mixed tends to stratify.

Ref	Description	Fam.	Subfa m.	Disp. Stock	/litro
RA080	FILTER MEDIA ECOMIX - A (BAG 12 LT.)	065	315	•	
RA081	FILTER MEDIA ECOMIX - C (BAG 12 LT.)	065	315	•	
RA082	FILTER MEDIA ECOMIX - P (BAG 12 LT.)	065	315	•	

Ref	Ion exchange capacity (eq/l)	Ion exchange capacity (g CaCO3/l)	Dose of rigenerant (g di NaCl 100% per litro)
RA080	0,75	35	100
RA081	0,65	30	100
RA082	0,80	40	100

Certificates	Manufacturer	Sectors
NSF44 NSF61 NSF372		Domestic, Commercial, Industrial



Ecomix

Limit Concentration Tables

RA080	Hardness (ppm CaCO ₃)	Fe (mg/l) (ppm)	Mn (mg/l) (ppm)	COD (ppm O ₂)	Ammonia (mg/l) (ppm)	TDS (ppm)
Raw water concentration limits	< 750	< 15	< 3	< 20	< 4	< 4000
Quality of purified water	≤ 20	< 0,3	< 0,1	< 10	< 0,5	No changes

RA081	Hardness (ppm CaCO ₃)	Fe (mg/l) (ppm)	Mn (mg/l) (ppm)	COD (ppm O ₂)	Ammonia (mg/l) (ppm)	TDS (ppm)
Raw water concentration limits	< 750	< 10	< 3	< 20	< 4	< 4000
Quality of purified water	≤ 20	< 0,3	< 0,1	< 4	< 0,5	No changes

RA082	Hardness (ppm CaCO ₃)	Fe (mg/l) (ppm)	Mn (mg/l) (ppm)	COD (ppm O ₂)	Ammoniac (mg/l) (ppm)	TDS (ppm)
Raw water concentration limits	< 750	< 10	< 3	N.A	N.A	< 4000
Quality of purified water	≤ 20	< 0,3	< 0,1	N.A	N.A	No changes

Operating conditions		Unit of measurement
Maximum operating temperature	40	°C
pH range	5 ÷ 9	
Minimum bed depth	500	mm
Optimum bed depth	800	mm
Service flow rate	10 ÷ 25	m ³ /h m ²
Backwash flow rate (15÷20 min)	10 ÷ 15	m ³ /h m ²
Regeneration flow rate (45÷65 min)	3 ÷ 5	m ³ /h m ²
Active chlorine		mg/l (ppm)
Free bed volume	≥ 40	%

Commonly used pressure vessels:

	8x35	8x44	10x35	10x54	12x52	13x54	14x65	16x65	21x60
Volume of Ecomix (Liters)	16	20	24	36	48	60	72	96	144
Flow Capacity (m ³ /h)@ 25 m/h	0,8	0,8	1,2	1,2	1,8	2,0	2,5	3,0	5,5
IX Capacity (kg CaCO ₃)	0,56	0,7	0,8	1,3	1,7	2,1	2,5	3,3	5,0
Salt Requirement (kg)	1,6	2,0	2,4	3,6	4,8	6,0	7,2	9,6	14,4
Backwash Flow Rate (m ³ /h)	0,4	0,4	0,6	0,6	0,9	1,1	1,2	1,6	2,7



Corosex

- Corosex is designed for use in filters to neutralize acidity by increasing the pH value;
- By neutralizing the free carbon dioxide in water, Corosex can correct acidic water conditions and render it less corrosive. Corosex, being a highly reactive magnesium oxide, is used most effectively where pH correction is substantial or high flow conditions are in use. pH correction and media consumption are affected by a number of water chemical variables. Being soluble to acidity, Corosex will slowly dissolve and will need to be replenished periodically;
- On a per weight basis, magnesium oxide can neutralize five times more acidity than can calcium carbonate. This results in greatly reduced chemical usage for the same pH correction. Please note; under certain low flow conditions, Corosex may overcorrect and create a highly basic (high pH) condition;
- Under certain hardness conditions, pH correction can cause hardness minerals to precipitate out of solution, resulting in cementing or solidification of the Corosex mineral bed. Upflow service is generally recommended with hardness exceeding 9 °F. Always use an in-line filter ahead of an upflow system to prevent plugging of the lower distribution screen;
- As Corosex's magnesium oxide neutralizes the water, it will increase hardness and a softener may become necessary after the neutralizing filter;
- Corosex can be effectively combined with Calcite to combine the high flow neutralization properties of Corosex, along with the slower reacting low flow properties of Calcite, reducing potentially high basic properties due to overcorrection;
- High degree of activity and speed of correction allowing high flow;
- High capacity...less chemical usage;
- NSF/ANSI 60 certified;
- Available in 18,7 liters bags.

Ref	Description	Fam.	Subfam.	Disp. Stock	
RA075	COROSEX BAG 18.7 LT.	065	315	•	

Physical properties	
Colour	Brownish white
Specific gravity (g/l)	3600
Bulk density (g/l)	1200
Effective size (mm)	1,4
Uniformity coefficient	1,7
Composition	MgO 97% min.
Mesh size	6 x 16

Operating conditions	
Bed depth (mm)	600 ÷ 750
Service flow rate (m ³ /h m ²)	12 ÷ 15
Backwash flow rate (m ³ /h m ²)	25 ÷ 30
Backwash bed expansion (%)	≥ 50
pH range	4,5 ÷ 6,0

Box: WxLxH	Box: Q.ty	Box: Weight	Pallet: WxLxH	Pallet: Q.ty	Pallet: Weight

Certificates	Manufacturer	Sectors
NSF60	Clack	Domestic, Commercial, Industrial

EUROTROL®

WATER TREATMENT COMPONENTS



Residential R.O. components

INDEX



In-Line Cartridges

- IN LINE cartridges 1/4" NPT F connections;
- Max pressure = 100 psi (7 bar);
- Max temperature = 35°C;



Ref	Description	Fam.	Subfam.	Disp. Stock	
DE028	IN LINE ACTIVATED CARBON CARTRIDGE 10" x 2"	030	175	•	
DE029	IN-LINE SEDIMENT CARTRIDGE 10" x 2"	030	175	•	

Ref	Diameter (inch)	Lenght (inch)	Version	Flow (gpm)
DE028	2"	10"	Coconut Shell Activated Carbon	0,75
DE029	2"	10"	Sediment	0,75

Box: WxLxH	Box: Q.ty	Box: Weight	Pallet: WxLxH	Pallet: Q.ty	Pallet: Weight

Certificates	Manufacturer	Sectors
DM174-2004	MWG	Domestic

Ref	Description	Fam.	Subfam.	Disp. Stock	
DE030	IN-LINE ACTIVATED CARBON CARTRIDGE 11" x 2.1/2"	030	175	•	
DE031	IN-LINE SEDIMENT CARTRIDGE 11" x 2.1/2"	030	175	•	

Ref	Diameter (inch)	Lenght (inch)	Version	Flow (gpm)
DE030	2½"	11"	Coconut Shell Activated Carbon	1,00
DE031	2½"	11"	Sediment	1,00

Box: WxLxH	Box: Q.ty	Box: Weight	Pallet: WxLxH	Pallet: Q.ty	Pallet: Weight

Certificates	Manufacturer	Sectors
DM174-2004	MWG	Domestic



Clips - Valves - Tubing

Single Mounting Clips: PP material - white colour.



Ref	Description	Fam.	Subfam.	Disp. Stock	
DE033	SINGLE CLIP 2"	030	175	•	
DE034	SINGLE CLIP 2.5"	030	175	•	
DE006	SINGLE CLIP 3"	030	175	•	

Ref	Description	Diameter (mm)
DE033	SINGLE CLIP 2"	50
DE034	SINGLE CLIP 2.5"	60
DE006	SINGLE CLIP 3"	90

Certificates	Manufacturer	Sectors
		Domestic



Double Mounting Clips: PP material - white colour

Ref	Description	Fam.	Subfam.	Disp. Stock	
DE035	DOUBLE CLIPS 2" x 2.5"	030	175	•	
DE036	DOUBLE CLIPS 2.1/2"x2.1/2"	030	175	•	

Ref	Description	Diameter (mm)
DE035	DOUBLE CLIPS 2" x 2.5"	50 x 60
DE036	DOUBLE CLIPS 2.1/2"x2.1/2"	60 x 60

Certificates	Manufacturer	Sectors
		Domestic



MWG High Pressure Switch



Pressure switch contact NO; Connection 1/4" G; Body material in Stainless Steel; Diaphragm in NBR; Max Voltage = 42 V; Max Current = 4 A; Max operating pressure = 150 bar; Operating temperature range = - 40 ÷ + 100°C Class protection IP54; Conform with CE safety Directives;

Ref	Description	Fam.	Subfam.	Disp. Stock	
DH571	MWG HIGH PRESSURE SWITCH 1-10 BAR	030	175	•	
DH573	MWG HIGH PRESSURE SWITCH 1-20 BAR	030	175	•	
DH575	MWG HIGH PRESSURE SWITCH 20-50 BAR	030	175	•	

Ref	Description	Tolerance
DH571	MWG HIGH PRESSURE SWITCH 1-10 BAR	± 0,5 bar
DH573	MWG HIGH PRESSURE SWITCH 1-20 BAR	± 1 bar
DH575	MWG HIGH PRESSURE SWITCH 20-50 BAR	± 2 bar

Box: WxLxH	Box: Q.ty	Box: Weight	Pallet: WxLxH	Pallet: Q.ty	Pallet: Weight

Certificates	Manufacturer	Sectors
DM174-2004 CE	MWG	Domestic, Commercial, Industrial

MWG Booster Pumps for Residential R.O.

- MWG booster pumps for residential R.O. Systems;
- Membrane booster pumps without transformer (to order separately);
- IN/OUT connections 3/8" F;



Ref	Description	Fam.	Subfam.	Disp. Stock	
DH501	BOOSTER PUMP M100G 1.1 LPM 24VDC 1.2A	030	175	•	
DH503	BOOSTER PUMP L200G 1.6 LPM 24VDC 1.6A	030	175	•	
DH505	BOOSTER PUMP L400G 2.6 LPM 24VDC 2.5A	030	175	•	

Ref	Ref Trasformatore	Inle pressure (psl)	Working pressure range (psl)	Flow 70 psi (l/min)	Rated current (A)	Current 70 psi (A)
DH501	DH531	30	60 ÷ 80	≥ 1,1	1,8	≤ 1,2
DH503	DH533	30	60 ÷ 80	≥ 1,6	2,2	≤ 1,6
DH505	DH535	30	70 ÷ 90	≥ 2,6	3,6	≤ 2,5

Box: WxLxH	Box: Q.ty	Box: Weight	Pallet: WxLxH	Pallet: Q.ty	Pallet: Weight

Certificates	Manufacturer	Sectors
DM174-2004 CE	MWG	Domestic

Transformer

Ref	Description	Fam.	Subfam.	Disp. Stock	
DH531	TRANSFORMER 24VDC 2A	030	175	•	
DH533	TRANSFORMER 24VDC 2.5A	030	175	•	
DH535	TRANSFORMER 24VDC 4A	030	175	•	

Box: WxLxH	Box: Q.ty	Box: Weight	Pallet: WxLxH	Pallet: Q.ty	Pallet: Weight

Certificates	Manufacturer	Sectors
CE		Domestic



MWG Two -Way Solenoid Valves for R.O. Systems



Two-way solenoid valve NC direct acting; Body material plastic; Seals in EPDM; Spring in SS304; Range water temperature = 4°C ÷ 120°C; Range ambient temperature = -10°C ÷ +40°C; Range pressure = 0 ÷ 8 bar; Class protection IP65; Connections 1/4" NPT; Orifice diameter 2,5 mm;

Ref	Description	Fam.	Subfa m.	Disp. Stock	
DH601	MWG PLASTIC SOLENOID VALVEC NC 1/4" NPT 24V DC	030	175	•	
DH603	MWG PLASTIC SOLENOID VALVEC NC 1/4" NPT 24V AC	030	175	•	

Ref	Description	Power supply
DH601	MWG PLASTIC SOLENOID VALVEC NC 1/4" NPT 24V DC	24 V DC
DH603	MWG PLASTIC SOLENOID VALVEC NC 1/4" NPT 24V AC	220 V AC

Certificates	Manufacturer	Sectors
DM174-2004 CE	MWG	Domestic



Two-way solenoid valve NC direct acting; Body material brass; Seals in EPDM; Range water temperature = 4°C ÷ 120°C; Class protection IP65; G thread connections;

Ref	Description	Fam.	Subfa m.	Disp. Stock	
DH611	MWG BRASS SOLENOID VALVEC NC 1/4" GAS 24V DC	030	175	•	
DH615	MWG BRASS SOLENOID VALVEC NC 3/8" GAS 220V AC 5 BAR	030	175	•	

Ref	Orifice diameter (mm)	Max operating pressure (bar)
DH611	5	5
DH615	5	5

Certificates	Manufacturer	Sectors
DM174-2004 CE	MWG	Domestic, Commercial, Industrial



Two-way solenoid valve NC indirect acting; Body material brass; Seals in EPDM; Range water temperature = 4°C ÷ 120°C; Class protection IP65; G thread connections;

Ref	Description	Fam.	Subfa m.	Disp. Stock	
DH621	MWG BRASS SOLENOID VALVE NC 3/8" GAS 220V AC 16 BAR	030	175	•	
DH623	MWG BRASS SOLENOID VALVE NC 1/2" GAS 220V AC	030	175	•	
DH625	MWG BRASS SOLENOID VALVE NC 3/4" GAS 220V AC	030	175	•	
DH627	MWG BRASS SOLENOID VALVE NC 1" GAS 220V AC	030	175	•	
DH629	MWG BRASS SOLENOID VALVE NC 1 1/4" GAS 220V AC	030	175	•	
DH631	MWG BRASS SOLENOID VALVE NC 1 1/2" GAS 220V AC	030	175	•	
DH633	MWG BRASS SOLENOID VALVE NC 2" GAS 220V AC	030	175	•	

Ref	Orifice diameter (mm)	Max operating pressure (bar)
DH621	15	16
DH623	15	16
DH625	20	16
DH627	25	16
DH629	35	16
DH631	35	16
DH633	50	16

Certificates	Manufacturer	Sectors
DM174-2004 CE	MWG	Domestic, Commercial, Industrial



Valves for Residential R.O. and Filtration System

Needle Valves

Needle valve for residential R.O and filtration systems; for tube 1/2" M/F or 3/8" M/F; connection for 1/4" or 3/8" or 5/16" flexible tubing; material brass.



Ref	Description	Fam.	Subfam.	Disp. Stock	
DE039	NEEDLE VALVE 1/2" MF X 1/4 TUBE	030	175	•	
DE050	NEEDLE VALVE 1/2" MF X 3/8 TUBE	030	175	•	
DE050A	NEEDLE VALVE 1/2" MF X 5/16" TUBE	030	175	•	
DE039A	NEEDLE VALVE 3/8" M/F x1/4" TUBE	030	175	•	

Drain and Diverter Valves for R.O. Systems

Suitable for residential R.O and filtration systems.

Drain Clamp - material ABS black.



Ref	Description	Fam.	Subfam.	Disp. Stock	
DE040	DRAIN CLAMP 1/4" TUBE	030	175	•	
DE049	DRAIN CLAMP 1/4" FEMALE NPT	030	175	•	

Diverter Valve with Swivel Collar

Connection for 1/4" tubing; material chrome plated brass.



Ref	Description	Fam.	Subfam.	Disp. Stock	
DE042	DIVERTER VALVE W/SWIVEL COLLAR 1/4" TUBE	030	175	•	

Adapter 15/16" - 27 X 55/64" - 27

Length 8 mm; material chrome plated brass.



Ref	Description	Fam.	Subfam.	Disp. Stock	
DE043	ADAPTER 15/16" x 55/64"	030	175	•	



Jaco Style Fittings

Jaco Style Fittings

Straight



Ref	Description	Fam.	Subfam.	Disp. Stock	
DE063	ELBOW FITTING 1/8"NPT x 1/4" TUBE	030	175	•	
DE064	ELBOW FITTING 1/4"NPT x 1/4" TUBE	030	175	•	
DE068	STRAIGHT FITTING 1/4" F NPT X 1/4" TUBE	030	175	•	
DE069	STRAIGHT FITTING 3/8" NPT X 1/4" TUBE	030	175	•	

Elbows



Ref	Description	Fam.	Subfam.	Disp. Stock	
DE060	ELBOW FITTING 1/8" NPT x 1/4" TUBE	030	175	•	
DE062	ELBOW FITTING 1/8" FNPT x 1/4" TUBE	030	175	•	
DE061	ELBOW FITTING 1/4" NPT x 1/4" TUBE	030	175	•	
DE070	ELBOW FITTING 3/8" NPT X 1/4" TUBE	030	175	•	

Tees



Ref	Description	Fam.	Subfam.	Disp. Stock	
DE065	TEES FITTING 1/4" NPT LATERAL X 1/4" TUBE	030	175	•	
DE066	TEES FITTING 1/4" NPT CENTRAL X 1/4" TUBE	030	175	•	
DE067	TEES FITTING 1/4" TUBE	030	175	•	



Valves for Residential R.O. and Filtration System

Saddle Valve



Saddle valve self piercing for residential R.O and filtration systems; suitable for copper piping; connection for 1/4" tubing; material brass with aluminium clamp.

Ref	Description	Fam.	Subfam.	Disp. Stock	
DE041	NEEDLE VALVE 1/4" TUBE	030	175	•	

Flow Restrictors - Check Valves



In-Line Flow Restrictors

Quick connections 1/4" tube.

Ref	Description	Fam.	Subfam.	Disp. Stock	
DE105	IN LINE FLOW RESTRICTOR 150 MLM - 1/4" TUBE	030	175	•	
DE106	IN LINE FLOW RESTRICTOR 300 MLM - 1/4" TUBE	030	175	•	
DE107	IN LINE FLOW RESTRICTOR 400 MLM - 1/4" TUBE	030	175	•	
DE108	IN LINE FLOW RESTRICTOR 550 MLM - 1/4" TUBE	030	175	•	
DE109	IN LINE FLOW RESTRICTOR 600 MLM - 1/4" TUBE	030	175	•	
DE110	IN LINE FLOW RESTRICTOR 800 MLM - 1/4" TUBE	030	175	•	

Ref	Flow 60 psi (gpd)	Flow 60 psi (ml/min)
DE105	60	150
DE106	115	300
DE107	150	400
DE108	208	550
DE109	227	600
DE110	300	800



JACO Style Check Valve

Jaco style elbow 1/8" x 1/4" tube complete with AISI check-valve.

Ref	Description	Fam.	Subfa m.	Disp. Stock	
DE079	ELBOW 1/8"X1/4" TUBE W/STAINLESS STEEL CHECK VALVE	030	175	•	



S.S. Check Valve

Stainless steel check valve 1/8" x 1/8" ..

Ref	Description	Fam.	Subfa m.	Disp. Stock	
DE048	CHECK-VALVE S.S. 1/8" NPT	030	175	•	



Elbowed Ball Valve

Material white plastic; connections 1/4" F NPT x 1/4" tubing.

Ref	Description	Fam.	Subfa m.	Disp. Stock	
DE052	ELBOWED BALL VALVE 1/4" F NPTx1/4" TUBE	030	175	•	



Automatic Shut-Off Valve

Material white ABS; connections 1/4" tubing; max pressure 125 psi (8,5 bar).

Ref	Description	Fam.	Subfa m.	Disp. Stock	
DE038	SHUT-OFF VALVE 1/4" TUBE	030	175	•	



Mechanical Flow Meter

Adjustable setting; automatic shut-off based on volume; capacity 7000 litres; connections 1/4" NPT; operating pressure 1 ÷ 8,5 bar; material ABS, black colour.

Ref	Description	Fam.	Subfa m.	Disp. Stock	
DE080	MECHANICAL FLOW METER 1/4" NPT	030	175	•	



Storage Tanks for R.O. Systems

PP Storage Tanks

- Pressurized storage tank for treated water;
- White colour;
- Connection 1/4" NPT;
- Min. operating pressure 1 bar.



Ref	Description	Fam.	Subfam.	Disp. Stock
DE032	PP/SS R.O STORAGE TANK 12 LT.	030	175	•
DE051	PLASTIC R.O STORAGE TANK 16 LT.	030	175	•

Ref	Diameter (mm)	Height (mm)	Max pressure (bar)
DE032	240	370	7,0
DE051	260	400	3,5

Box: WxLxH	Box: Q.ty	Box: Weight	Pallet: WxLxH	Pallet: Q.ty	Pallet: Weight

Certificates	Manufacturer	Sectors
NSF58 CE		Domestic

Steel Storage Tanks

- Pressurized storage tank for R.O water;
- Material painted steel, white colour;
- Connection 1" BSPP female;
- With threaded extension M 1" x 1/4", with elbowed ball valve with connection 3/8" tubing;
- Min. operating pressure 1 bar;
- Max operating pressure 7 bar.



Ref	Description	Fam.	Subfam.	Disp. Stock
DE096	S.S. RO STORAGE TANK 41 LT.	030	175	•
DE097	S.S. RO STORAGE TANK 75 LT.	030	175	•

Ref	Diameter (mm)	Height (mm)
DE096	390	575
DE097	390	770

Box: WxLxH	Box: Q.ty	Box: Weight	Pallet: WxLxH	Pallet: Q.ty	Pallet: Weight

Certificates	Manufacturer	Sectors
NSF58 CE		Domestic

In-Line Cartridges

R.O. compact assembly and accessories

Ref	Description	Fam.	Subfam.	Disp. Stock
DE100	R.O. COMPACT GROUP	030	175	•
DE101	MEMBRANE 50 GPD FOR DE100	030	175	•
DE102A	PREFILTER CARTRIDGE SEDIMENT/CARBON BLOCK FOR EMPTY COMPACT R.O. ASSEMBLY	030	175	•
DE103	GAC POSTFILTER CARTRIDGE FOR EMPTY COMPACT R.O. ASSEMBLY	030	175	•



Permeate Pump for Residential R.O. Systems



- Using the energy of the brine water of the R.O. system to pump the permeate into the pressure tank, increases the net operating pressure on the membrane and eliminate the negative effect of the pressure on the storage tank;
- Hydraulic pump, does not require electricity;
- For residential R.O. systems with pressurized storage tank and membrane from 35 to 100 GPD;
- The permeate pump can increase up to 5 time the system recovery, reducing the water consumption and the refill time of the storage tank;
- No shut-off valve is needed;
- Materials polypropylene/ EPDM;
- Max operating pressure 6,8 bar;
- Connections for 3/4" tubing;
- Max drain flow rate 0,8 l/min.

Ref	Description	Fam.	Subfam.	Disp. Stock	
DE120	PERMEATE PUMP	030	175	•	

Accessories



Ref	Description	Fam.	Subfam.	Disp. Stock	
DE121	PERMEATE PUMP SINGLE CLIP	030	175	•	



Flexible 1/4" Tubing

Ref	Description	Fam.	Subfam.	Disp. Stock	
DE082	PVC TUBE WHITE 1/4" - ROLL 50 MT.	030	175	•	
DE083	PE TUBE BLUE 1/4" - ROLL 50 MT.	030	175	•	
DE084	PE TUBE BLACK 1/4" ROLL 50 MT.	030	175	•	
DE086	PE TUBE RED 1/4" - ROLL 50 MT.	030	175	•	
DE081	PE TUBE CLEAR 1/4" - ROLL 100 MT.	030	175	•	

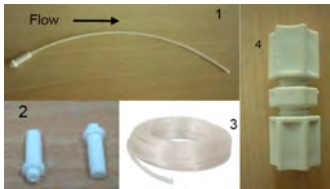


Insert for Flexible 1/4" Tubing: CELCON material.

Ref	Description	Fam.	Subfam.	Disp. Stock	
DE059	PLASTIC INSERT FOR 1/4" TUBE	030	175	•	

Flow Restrictor Linear Type

- Capillary adjusting flow system with insertion in tube 1/4" diameter ($\varnothing e=6,35$ mm);
- 200 mm standard length; you can change the length as required (please see the diagram below);
- **WARNING:** it is essential that the cutting of the capillary be neat and tube perfectly circular (you can use an awl in order to restore the circular form), otherwise the flow rate value can be greatly altered. Observe the flow direction as shown in Picture n.1.



Ref	Description	Fam.	Subfam.	Disp. Stock	
DE122	FLOW RESTRICTOR LINEAR TYPE - LG.200 MM	030	175	•	
DE124	FLOW RESTRICTOR FRT-14P INSERT	030	175	•	
DE125	CAPILLARY TUBE ROLL 25 MT	030	175	•	
DE123	FLOW RESTRICTOR JACO 1/4" UNION*	030	175	•	

ITEM	Ref	Description
1	DE122	FLOW RESTRICTOR LINEAR TYPE - LG.200 MM
2	DE124	FLOW RESTRICTOR FRT-14P INSERT
3	DE125	CAPILLARY TUBE ROLL 25 MT
4	DE123	FLOW RESTRICTOR JACO 1/4" UNION*



Faucet

Long Reach Faucet

- material chrome plated; connection for 1/4" tubing; complete with installation kit; threaded tube length 50 mm.

Ref	Description	Fam.	Subfam.	Disp. Stock	
DE037	LONG REACH FAUCET 1/4" TUBE	030	175	•	

Certificates	Manufacturer	Sectors
		Domestic



Quarter-Turn faucet

- metal and plastic chrome material; connection for 1/4" tubing;
- complete with installation kit; threaded tube length 71 mm;

Ref	Description	Fam.	Subfam.	Disp. Stock	
DE116	QUARTER - TURN FAUCET 1/4" TUBE	030	175	•	

Certificates	Manufacturer	Sectors
		Domestic



Single Handle Faucet with Drinking Nozzle

- monobloc, material chrome plated;
- adjustable necks;
- hot and cold water connections 1/2" with needle valves; treated water connection 1/4" tube;
- complete with installation kit.

Ref	Description	Fam.	Subfam.	Disp. Stock	
DE087	SINGLE HEAD FAUCET W/DRINKING NOZZLE	030	175	175	

Certificates	Manufacturer	Sectors
		Domestic





Pressure Gauge - Adapters - Valves

Pressure Gauge

- pressure set 0 ÷ 10 bar;
- connection 1/8" M;
- diameter 25 mm.



Ref	Description	Fam.	Subfam.	Disp. Stock	
DE077	MANOMETER D.25 0-10 KG/CM2 1/8"	030	175	•	

Certificates	Manufacturer	Sectors
		Domestic

3 Ways Adapter for Pressure Gauge

- plastic material;
- connections 1/8" F x 1/8" M x 1/4" tube.



Ref	Description	Fam.	Subfam.	Disp. Stock	
DE078	3-WAYS FITTING FOR MANOMETER 1/8 F X 1/8 M X 1/4 TUBO	030	175	•	

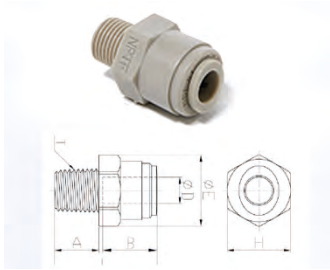
Certificates	Manufacturer	Sectors
		Domestic



Fittings

- Suitable for residential R.O. and filtration systems;
- Designed for water, food and air contact but can be used with selected gases, vacuum & other liquids;
- In compliance with the sanitary certification ACS (France);
- In acetal resin grey color, non-toxic and NSF approved material;
- Pressure max 16 bar @ 25°C.

Male connector NPTF



Ref	Description	Fam.	Subfam.	Disp. Stock	
DH005	MALE CONNECTOR 1/8" NPT WITH D=1/4"	030	175	•	
DH006	MALE CONNECTOR 1/4" NPT WITH D=1/4"	030	175	•	
DH007	MALE CONNECTOR 3/8" NPT WITH D=1/4"	030	175	•	
DH012	MALE CONNECTOR 1/8" NPT WITH D=3/8"	030	175	•	
DH013	MALE CONNECTOR 1/4" NPT WITH D=3/8"	030	175	•	
DH014	MALE CONNECTOR 3/8" NPT WITH D=3/8"	030	175	•	

Ref	A (mm)	B (mm)	Ø E (mm)	H (mm)	L (mm)
DH005	9,1	16,9	17,8	15,8	27,0
DH006	13,2	16,9	17,8	15,8	27,0
DH007	13,8	16,9	21,4	19,0	26,1
DH012	9,1	20,2	23,0	20,6	30,4
DH013	13,2	20,2	23,0	20,6	34,3
DH014	13,8	20,2	23,0	20,6	29,9

Female adapter NPTF



Ref	Description	Fam.	Subfam.	Disp. Stock	
DH021	FEMALE ADAPTER 1/8" NPT WITH D=1/4"	030	175	•	
DH022	FEMALE ADAPTER 1/4" NPT WITH D=1/4"	030	175	•	
DH023	FEMALE ADAPTER 1/4" NPT WITH D=3/8"	030	175	•	

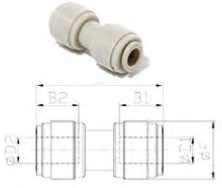
Ref	Ø P (mm)	A (mm)	B (mm)	Ø E (mm)	H (mm)	L (mm)
DH021	15,5	11,5	16,9	19,0	17	30,9
DH022	15,5	11,5	16,9	21,5	19	30,9
DH023	20,0	11,5	20,2	21,5	19	34,2

Male elbow NPT



Ref	Description	Fam.	Subfam.	Disp. Stock	
DH033	MALE ELBOW 1/8" NPT WITH D=1/4"	030	175	•	
DH034	MALE ELBOW 1/4" NPT WITH D=1/4"	030	175	•	
DH035	MALE ELBOW 3/8" NPT WITH D=1/4"	030	175	•	
DH038	MALE ELBOW 1/4" NPT WITH D=3/8"	030	175	•	
DH039	MALE ELBOW 3/8" NPT WITH D=3/8"	030	175	•	

Ref	Ø P (mm)	A (mm)	B (mm)	E (mm)	H (mm)	L (mm)
DH033	15,5	9,1	16,9	26,4	11,0	25,6
DH034	15,5	13,2	16,9	31,9	11,0	27,0
DH035	15,5	13,8	16,9	32,7	11,0	28,9
DH038	20,0	13,2	20,2	35,2	14,3	31,8
DH039	20,0	13,8	20,2	35,8	14,3	33,9



Union connector

Ref	Description	Fam.	Subfam.	Disp. Stock
DH073	UNION CONNECTOR 1/4" - 1/4"	030	175	•
DH075	UNION CONNECTOR 3/8" - 3/8"	030	175	•
DH079	UNION CONNECTOR 3/8" - 1/4"	030	175	•

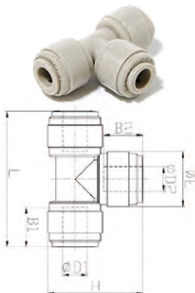
Ref	B1 (mm)	B2 (mm)	Ø E (mm)	L (mm)
DH073	16,9	16,9	15,5	36,2
DH075	20,2	20,2	20,0	42,9
DH079	20,2	16,9	20,0	42,1



Union elbow

Ref	Description	Fam.	Subfam.	Disp. Stock
DH083	UNION ELBOW 1/4" - 1/4"	030	175	•
DH085	UNION ELBOW 3/8" - 3/8"	030	175	•

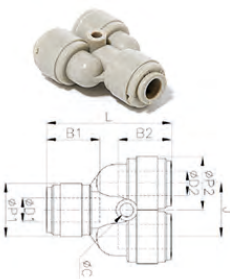
Ref	B1 (mm)	B2 (mm)	Ø E 1 (mm)	Ø E 2 (mm)	L (mm)	H (mm)
DH083	16,9	16,9	15,5	15,5	28,8	28,8
DH085	20,2	20,2	20,0	20,0	35,9	35,9



Union T

Ref	Description	Fam.	Subfam.	Disp. Stock
DH093	UNION TEE 1/4" - 1/4" - 1/4"	030	175	•
DH095	UNION TEE 3/8" - 3/8" - 3/8"	030	175	•

Ref	B1 (mm)	B2 (mm)	B3 (mm)	Ø E (mm)	L (mm)	H (mm)
DH093	16,9	16,9	16,9	15,5	42,0	28,8
DH095	20,2	20,2	20,2	20,0	51,8	35,9



Two way divider

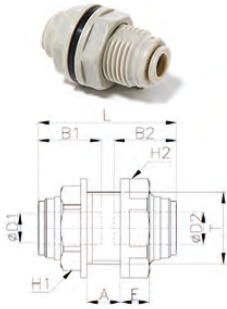
Ref	Description	Fam.	Subfam.	Disp. Stock
DH103	TWO WAY DIVIDER 1/4" - 1/4" - 1/4"	030	175	•
DH105	TWO WAY DIVIDER 3/8" - 3/8" - 3/8"	030	175	•

Ref	B1 (mm)	B2 (mm)	Ø P1 (mm)	Ø P2 (mm)	L (mm)	J (mm)	C (mm)
DH103	16,9	16,9	15,5	15,5	38,8	15,5	3,3
DH105	20,2	20,2	20,0	20,0	46,4	20,0	4,5



Fittings

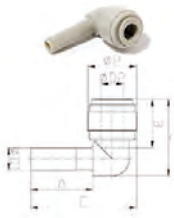
Bulkhead connector



Ref	Description	Fam.	Subfam.	Disp. Stock	
DH052	BULKHEAD CONNECTOR 1/4" - 1/4"	030	175	•	
DH054	BULKHEAD CONNECTOR 3/8" - 3/8"	030	175	•	

Ref	T	B1 (mm)	B2 (mm)	H1 (mm)	H2 (mm)	L (mm)
DH052	M17	16,9	16,9	19	21	35,7
DH054	M24	20,2	20,2	24	25,5	42,4

Union elbow tube with stem



Ref	Description	Fam.	Subfam.	Disp. Stock	
DH063	UNION ELBOW TUBE WITH STEM 1/4" - 1/4"	030	175	•	
DH065	UNION ELBOW TUBE WITH STEM 3/8" - 3/8"	030	175	•	
DH067	UNION ELBOW TUBE WITH STEM 3/8" - 1/4"	030	175	•	

Ref	Ø P (mm)	A (mm)	B (mm)	E (mm)	L (mm)
DH063	15,5	21,0	16,9	34,8	25,1
DH065	20,0	24,8	20,2	43,2	31,4
DH067	17,6	22,5	17,5	38,3	27,7

Union connector



Ref	Description	Fam.	Subfam.	Disp. Stock	
DH073	UNION CONNECTOR 1/4" - 1/4"	030	175	•	
DH075	UNION CONNECTOR 3/8" - 3/8"	030	175	•	
DH079	UNION CONNECTOR 3/8" - 1/4"	030	175	•	

Ref	B1 (mm)	B2 (mm)	Ø E (mm)	L (mm)
DH073	16,9	16,9	15,5	36,2
DH075	20,2	20,2	20,0	42,9
DH079	20,2	16,9	20,0	42,1

Bulkhead flow regulators

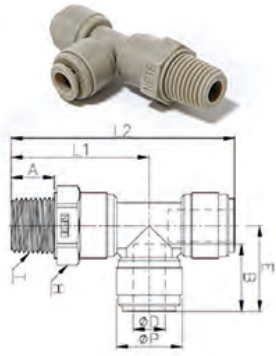


Ref	Description	Fam.	Subfam.	Disp. Stock	
DH157	BULKHEAD FLOW REGULATOR WITH D=1/4"	030	175	•	
DH158	BULKHEAD FLOW REGULATOR WITH D=3/8"	030	175	•	

Ref	T	Ø P (mm)	A (mm)	B (mm)	E1 (mm)	E2 (mm)	H (mm)	L min (mm)	L max (mm)
DH157	M12	15,5	5,0	16,9	22,2	44,4	16	45,5	50,4
DH158	M15	20,0	6,0	19,8	26,1	52,1	19	52,7	58,4



Fittings

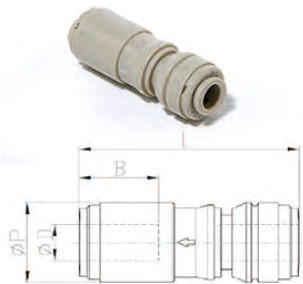


- Suitable for residential R.O. and filtration systems;
- Designed for water, food and air contact but can be used with selected gases, vacuum & other liquids;
- In compliance with the sanitary certification ACS (France);
- In acetal resin grey color, non-toxic and NSF approved material;
- Pressure max 16 bar @ 25°C.

Male Swivel run tee NPTF

Ref	Description	Fam.	Subfam.	Disp. Stock
DH122	MALE SWIVEL RUN TEE 1/4" NPT WITH D=1/4"	030	175	•
DH124	MALE SWIVEL RUN TEE 3/8" NPT WITH D=3/8"	030	175	•

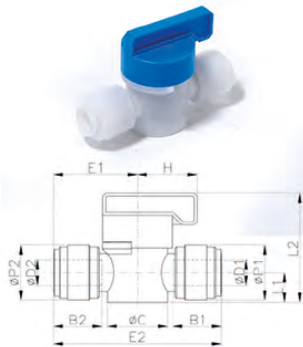
Ref	Ø P (mm)	A (mm)	B (mm)	E (mm)	H (mm)	L ¹ (mm)	L ² (mm)
DH122	15,5	13,2	16,9	21,0	17,46	36,9	57,9
DH124	20,0	13,0	20,2	25,9	21,4	41,8	67,7



Check valves

Ref	Description	Fam.	Subfam.	Disp. Stock
DH131	CHECK VALVES 1/4"	030	175	•
DH133	CHECK VALVES 3/8"	030	175	•

Ref	Ø P (mm)	B (mm)	L (mm)
DH131	15,5	16,1	45,5
DH133	20,0	19,5	57,8



2 ways hand valves

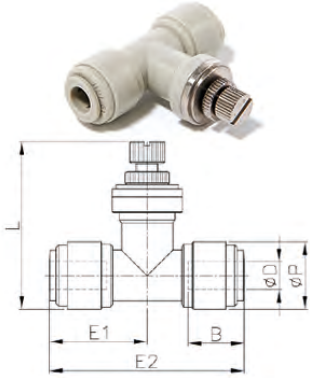
Ref	Description	Fam.	Subfam.	Disp. Stock	PriceEuro
DH141	2 WAYS HAND VALVES 1/4"	030	175	•	
DH143	2 WAYS HAND VALVES 3/8"	030	175	•	

Ref	Ø D1 Connection (inch)	Ø D2 Connection (inch)	B1 (mm)	B2 (mm)	Ø P1 (mm)	Ø P2 (mm)	L1 (mm)	L2 (mm)	E (mm)	Ø C (mm)
DH141	1/4"	1/4"	16,1	16,1	15,5	15,5	9,5	34,5	51,7	19,2
DH143	3/8"	3/8"	20,2	20,2	20,2	20,2	12,5	42,3	63,2	24,2



Fittings

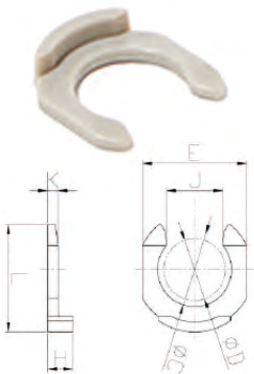
Flow regulators



Ref	Description	Fam.	Subfam.	Disp. Stock
DH167	FLOW REGULATOR WITH D=1/4"	030	175	•
DH168	FLOW REGULATOR WITH D=3/8"	030	175	•

Ref	ø P (mm)	B (mm)	L min (mm)	L max (mm)	E1 (mm)	E2 (mm)
DH167	15,5	16,9	45,5	42,7	22,2	44,4
DH168	20,0	19,8	57,8	49,7	26,1	52,1

Locking clips



Ref	Description	Fam.	Subfam.	Disp. Stock
DH193	LOCKING CLIPS FOR FITTINGS 1/4"	030	175	•
DH195	LOCKING CLIPS FOR FITTINGS 3/8"	030	175	•

Ref	ø D Connection (inch)	ø C (mm)	E (mm)	L (mm)	H (mm)	J (mm)	K (mm)
DH193	06 - 1/4"	8,0	11,6	11,6	3,1	6,4	1,3
DH195	10 - 3/8"	11,8	16,0	16,4	3,4	9,2	1,4

Male swivel tee NPTF



Ref	Description	Fam.	Subfam.	Disp. Stock
DH112	MALE SWIVEL TEE 1/4" NPT WITH D=1/4"	030	175	•
DH114	MALE SWIVEL TEE 3/8" NPT WITH D=3/8"	030	175	•

Ref	ø P (mm)	A (mm)	B (mm)	E (mm)	H (mm)	L (mm)
DH112	15,5	13,2	16,9	21,0	17,46	36,9
DH114	20,0	13,0	20,2	25,9	21,4	41,8



PRF-RO Reverse Osmosis System



- Suitable for residential and commercial application use;
- Compact and reliable system that better suits the flow requirements of small and mid-sized businesses;
- No storage tank needed;
- Works with Line Pressure;
- No Pump or Electricity;
- Very easy installation with quick connections;
- Virtually Maintenance Free (change cartridges fast and easy);
- Consisting of Nr.1 Carbon Pre-Filter, Nr.2 R.O. Membrane Elements and Nr.1 Carbon Post-Filter.

Ref	Description	Fam.	Subfam.	Disp. Stock	
DE904	KIT R.O. PRF-RO SYSTEM P/N 4000462 WITH FAUCET	030	179	•	
DE906	KIT R.O. PRF-RO SYSTEM P/N 4000575	030	179		

Ref	P.N.	Description
DE904	4000462	KIT R.O. PRF-RO SYSTEM P/N 4000462 WITH FAUCET
DE906	4000575	KIT R.O. PRF-RO SYSTEM P/N 4000575

OPERATING CONDITIONS	MINIMUM	MAXIMUM
Inlet Pressure	2,8 bar (40 psi)	5,5 bar (80 psi)
Inlet Temperature (°C)	4	38
Inlet TDS (mg/l)	50	2.000
Inlet Hardness (°F)	0	20
Inlet Chlorine (mg/l)	0	1,0
Inlet Iron (mg/l)	0	0,1
Inlet Manganese (mg/l)	0	0,05

Salt Rejection: Minimum 90%, Medium 93%.

TUBING/FITTING DIMENSIONS	
Inlet Tubing (natural tubing)	½"
Concentrate Tubing (black tubing)	¾"
Permeate Tubing (blue tubing)	¾"
Drain Tubing (red tubing) for airgap installation	½"
Drain connection	¾" or ½"
Carbon Post-Filter	¾" quick disconnect fittings

Filter/Membrane Performance Specifications:

Filter Type	Length (mm)	Diameter (mm)	Flow Rate (lpm)	Flow Rate (gpm)	Average Life (months)
Carbon Pre-Filter	432	74	14,20	3,75	6 (or 19.000 Liters)
RO Element	476	80	0,95	0,25	24 ÷ 48
Carbon Post-Filter	254	51	2,80	0,75	6 (or 19.000 Liters)

Box: WxLxH	Box: Q.ty	Box: Weight	Pallet: WxLxH	Pallet: Q.ty	Pallet: Weight

Certificates	Manufacturer	Sectors
	Pentair	Domestic, Industrial



PRF-RO Reverse Osmosis System

Spare parts of PRF-RO Reverse Osmosis System:

Ref	Description	Fam.	Subfam.	Disp. Stock	
DE920	MEMBRANE R.O. MERLIN P/N 4000569	030	179	•	
DE923	CARBON CARTRIDGE PRE FILTER P/N 3038333	030	179	•	
DE924	PRE FILTER CARTRIDGE SEDIMENT 10 MICRON P/N 1266690	030	179	•	
DE926	CARBON IN LINE POSTFILTER P/N 255526-09	030	179	•	
DE930	SUMP P/N 1239705	030	179		
DE932	SUMP O-RING P/N 1240326	030	179		
DE935	HEAD ASSEMBLY PRF-RO P/N 4000445	030	179		
DE937	SUPPORT SHOULDER PRF-RO P/N 3038021	030	179		
DE938	DRAIN FITTING KIT W/COLLARS P/N 1240564	030	179		
DE941	SAFETY PLATE FOR FITTING FIXING PRF-RO P/N 3038026	030	179		
DE942	AIR-GAP FAUCET P/N 3020487	030	179		
DE945	CONNECTION FITTINGS KIT PRF-RO P/N 4000330	030	179		
DE946	CONNECTION TUBE KIT P/N 1255736	030	179		
DE954	CONCENTRATE ELBOWED FITTING 3/8" BLACK P/N 1264462	030	179		
DE955	FEED ELBOWED FITTING 1/2" WHITE P/N 12400117	030	179		
DE956	PERMEATE ELBOWED FITTING 3/8" BLUE P/N 12400118	030	179		
DE961	RETRO FIT KIT PRF-RO P/N 4000454	030	179		

Ref	P.N.	Description
DE920	4000569	MEMBRANE R.O. MERLIN P/N 4000569
DE923	3038333	CARBON CARTRIDGE PRE FILTER P/N 3038333
DE924	1266690	PRE FILTER CARTRIDGE SEDIMENT 10 MICRON P/N 1266690
DE926	255526-09	CARBON IN LINE POSTFILTER P/N 255526-09
DE930	1239705	SUMP P/N 1239705
DE932	1240326	SUMP O-RING P/N 1240326
DE935	4000445	HEAD ASSEMBLY PRF-RO P/N 4000445
DE937	3038021	SUPPORT SHOULDER PRF-RO P/N 3038021
DE938	1240564	DRAIN FITTING KIT W/COLLARS P/N 1240564
DE941	3038026	SAFETY PLATE FOR FITTING FIXING PRF-RO P/N 3038026
DE942	3020487	AIR-GAP FAUCET P/N 3020487
DE945	4000330	CONNECTION FITTINGS KIT PRF-RO P/N 4000330
DE946	1255736	CONNECTION TUBE KIT P/N 1255736
DE954	1264462	CONCENTRATE ELBOWED FITTING 3/8" BLACK P/N 1264462
DE955	12400117	FEED ELBOWED FITTING 1/2" WHITE P/N 12400117
DE956	12400118	PERMEATE ELBOWED FITTING 3/8" BLUE P/N 12400118
DE961	4000454	RETRO FIT KIT PRF-RO P/N 4000454

EUROTROL®

WATER TREATMENT COMPONENTS



Water softeners

INDEX



MWG Manual Water Softeners



- Suitable for residential and commercial water softening applications, as coffee machines, dishwashers, microwave ovens;
- Tank in 304 Stainless Steel;
- They work with mains water pressure;
- They are supplied with and must be operated only with resin approved for drinking water contact use;
- For regeneration use only Sodium Chloride (NaCl) = coarse cooking salt;
- All the constituent materials comply with the requirements of Italian Ministerial Decree 174 dated 04-04-2004, materials in contact with drinking water.

Technical characteristics:

- Nominal Flow Rate at 4 bar = 1.000 l/h
- Operating Water Pressure Range: 1 ÷ 4 bar
- Feed Water Temperature Range: 4 ÷ 25°C
- Room Temperature Range: 4 ÷ 35° C
- Connections: 3/4" G - 3/8" G

Ref	Description	Fam.	Subfam.	Disp. Stock	
ADD06	MWG MANUAL WATER SOFTENER 6 L	405	805	•	
ADD08	MWG MANUAL WATER SOFTENER 8 L	405	805	•	
ADD12	MWG MANUAL WATER SOFTENER 12 L	405	805	•	
ADD16	MWG MANUAL WATER SOFTENER 16 L	405	805	•	
ADD20	MWG MANUAL WATER SOFTENER 20 L	405	805	•	

Certificates	Manufacturer	Sectors
DM174-2004	MWG	Domestic, Commercial



13 km from
Milano Centrale train station



14 km from
the Centre of the City



36 km from Linate Airport
45 Km from Malpensa Airport
61 Km from Orio Al Serio (BG) Airport

EUROTROL®

WATER TREATMENT COMPONENTS

Eurotrol S.p.A. Socio Unico
Soc. sogg. a contr. e coord. della M.W.G. Srl
Via Enrico Fermi, 23
20019 Settimo M.se (MI) - ITALY
Tel +39.02.335458 r.a.
e-mail: eurotrol@eurotrol.it
web: www.eurotrol.it

