

EUROTROL®

WATER TREATMENT COMPONENTS



MWG vessels,
accessories,
rotary pumps



Vessel for Residential Elements

1,8" - 2"

- material PP white; connections 1/8" NPT F; max pressure 125 psi (8,6 bar);
- double o-ring; permeate tube seat diameter = 0,67"; nominal dimension 1812 - 2012.

Membranes coupling: CSM 1,8" - 2" residential membranes,

Ref	Description	Fam.	Subfam.	Disp. Stock	
DE010	MEMBRANE VESSEL 1812 IN P.P.	30	175	•	

Box: WxLxH	Box: Q.ty	Box: Weight	Pallet: WxLxH	Pallet: Q.ty	Pallet: Weight

Certificates	Manufacturer	Sectors
DM174-2004		Domestic



Single mounting clips for vessel residential 1,8" - 2" membranes

- material PP; white colour.

Ref	Description	Fam.	Subfam.	Disp. Stock	
DE034	SINGLE CLIP 2.5"	30	175	•	

Certificates	Manufacturer	Sectors
	MWG	Domestic



2,8" - 3"

- material PP white; connections: feed, permeate and concentrate 3/8" NPT F (please, use our fittings ref. AV153 or elbows ref. AV159);
- max pressure 125 psi (8,6 bar); permeate tube seat diameter = 0,67"; nominal dimension 2812 - 3012.

Membranes coupling: CSM 2,8" residential membranes.

Ref	Description	Fam.	Subfam.	Disp. Stock	
DE007	MEMBRANE VESSEL 3012 IN P.P.	30	175	•	

Box: WxLxH	Box: Q.ty	Box: Weight	Pallet: WxLxH	Pallet: Q.ty	Pallet: Weight

Certificates	Manufacturer	Sectors
DM174-2004		Domestic



Single mounting clips for vessel residential 3" membranes

- material PP; white colour.

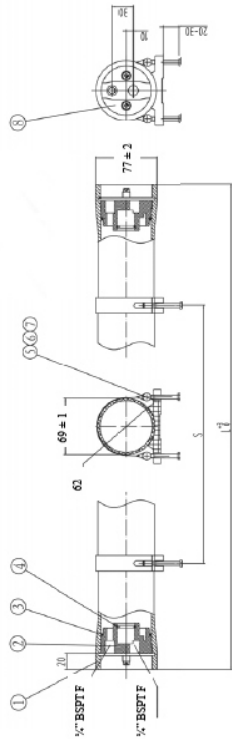
Ref	Description	Fam.	Subfam.	Disp. Stock	
DE006	SINGLE CLIP 3"	30	175	•	

Certificates	Manufacturer	Sectors
	MWG	Domestic





2 1/2" Membrane Vessels End Port Series 300 E-2.5



- Fiberglass reinforced plastic pressure vessels series 300 E-2.5, D.75" direct connection, white painted, UVA-ray proof material;
- End-cap in ABS;
- Max operating pressure 300 psi (21 bar);
- European 2014/68/EU Directive compliant for pressure equipment (PED);
- Built in accordance with ASME code section X;
- Each vessel is factory tested at 1,5 times max operating pressure;
- Connections: feed/concentrate 1/4" BSPT F, permeate 1/4" BSPT F;
- Straps and saddles included.

Ref	Description	Fam.	Subfam.	Disp. Stock	
H2E1BQ	RO VESSEL FRP 2,5" END-PORT 300 PSI 2514 1/4" BSPT F - 1/4" BSPT F	30	180	•	
H2E1BV	RO VESSEL FRP 2,5" END-PORT 300 PSI 2521 1/4" BSPT F - 1/4" BSPT F	30	180	•	
H2E1B1	RO VESSEL FRP 2,5" END-PORT 300 PSI 2540 1/4" BSPT F - 1/4" BSPT F	30	180	•	

Ref	Elements	L (mm)	S (mm)
H2E1BQ	1 x 14"	427	200
H2E1BV	1 x 21"	605	400
H2E1B1	1 x 40"	1088	700

Ref	Box: WxLxH.	Box: Qnt.	Box: Weight.	Pallet: WxLxH.	Pallet: Qnt.	Pallet: Weight.
H2E1BQ						
H2E1BV						
H2E1B1						

Certificates	Manufacturer	Sectors
DM174-2004 CE	MWG	Commercial

Spare parts

Ref	Description	Fam.	Subfam.	Disp. Stock	
H2R011	2,5" MPV END PLATE IN ABS F/C/P 1/4" BSPT FOR 300 PSI	30	180	•	
H2R103	2,5" MPV HEAD SEAL IN EPDM FOR 300÷1000 PSI	30	180	•	
H2R101	2,5" & 4" MPV ADAPTER SEAL IN EPDM FOR 300÷1200 PSI	30	180	•	
H2R001	2.5" MPV SADDLE FOR 300-1000 PSI	30	180	•	
H2R003	2.5" MPV STRAP FOR 300 PSI L=160 MM	30	180	•	
H2R041	2,5" MPV SEEGER IN AISI 316 FOR 300-1000 PSI	30	180	•	

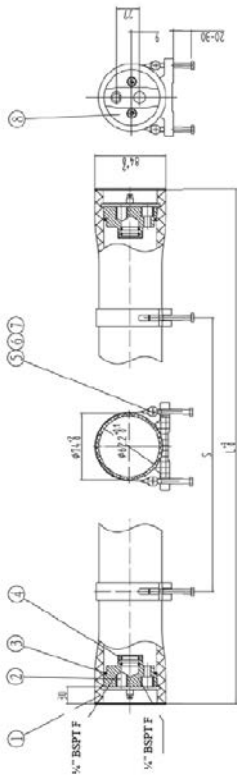
Spare parts

Item	Ref	Q.ty	Material	Note
2 + 4	H2R011	2	ABS	
3	H2R103	2	EPDM	56 x 3,55
4	H2R101	2	EPDM	19 x 2,65
5	H2R001	2	Rubber	
7 + 6	H2R003	2	AISI 304 - Rubber	
8	H2R041	4	AISI 304	



2 1/2" Membrane Vessels End Port Series 1000 E-2.5

- Fiberglass reinforced plastic pressure vessels series 1000 E-2.5, D.75" direct connection, white painted, UVA-ray proof material;
- End-cap in super duplex steel AISI 2507;
- Max operating pressure 1000 psi (69 bar);
- European 2014/68/EU Directive compliant for pressure equipment (PED);
- Built in accordance with ASME code section X;
- Each vessel is factory tested at 1,5 times max operating pressure;
- Connections: feed/concentrate 1/4" BSPT F, permeate 1/4" BSPT F;
- Straps and saddles included.



Ref	Description	Fam.	Subfam.	Disp. Stock	
H2E1GV	RO VESSEL FRP 2,5" END-PORT 1000 PSI 2521 1/4" BSPT F - 1/4" BSPT F	30	180	•	
H2E1G1	RO VESSEL FRP 2,5" END-PORT 1000 PSI 2540 1/4" BSPT F - 1/4" BSPT F	30	180	•	

Ref	Elements	L (mm)	S (mm)
H2E1GV	1 x 21"	629	400
H2E1G1	1 x 40"	1112	700

Ref	Box: WxLxH.	Box: Qnt.	Box: Weight.	Pallet: WxLxH.	Pallet: Qnt.	Pallet: Weight.
H2E1GV						
H2E1G1						

Certificates	Manufacturer	Sectors
DM174-2004 CE	MWG	Commercial

Spare parts

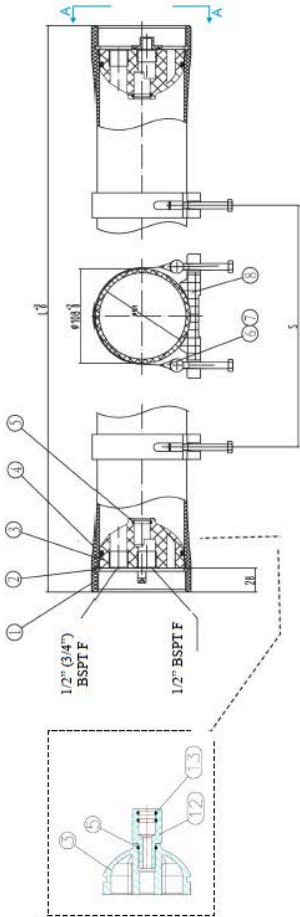
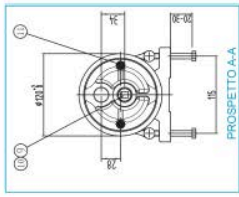
Ref	Description	Fam.	Subfam.	Disp. Stock	
H2R013	2,5" MPV END PLATE IN AISI 2507SST F/C/P 1/4" BSPT FOR 1000 PSI	30	180	•	
H2R103	2,5" MPV HEAD SEAL IN EPDM FOR 300÷1000 PSI	30	180	•	
H2R101	2,5" & 4" MPV ADAPTER SEAL IN EPDM FOR 300÷1200 PSI	30	180	•	
H2R001	2.5" MPV SADDLE FOR 300-1000 PSI	30	180	•	
H2R005	2.5" MPV STRAP FOR 1000 PSI L=170 MM	30	180	•	
H2R041	2,5" MPV SEEGER IN AISI 316 FOR 300-1000 PSI	30	180	•	

Spare parts

Item	Ref	Q.ty	Material	Note
2 + 4	H2R013	2	Super Duplex Steel AISI 2507	
3	H2R103	2	EPDM	56 x 3,55
4	H2R101	4	EPDM	19 x 2,65
5	H2R001	2	Rubber	
7 + 6	H2R005	2	AISI 304 - Rubber	
8	H2R041	4	AISI 304	



4" Membrane Vessels End Port Series 300 E-4



- Fiberglass reinforced plastic pressure vessels series 300 E-4, D.75" direct connection, white painted, UVA-ray proof material;
- End-cap in ABS;
- Max operating pressure 300 psi (21 bar);
- European 2014/68/EU Directive compliant for pressure equipment (PED);
- Built in accordance with ASME code section X;
- Each vessel is factory tested at 1,5 times max operating pressure;
- Permeate connections 1/2" BSPT F;
- Straps and saddles included (n.2 pcs from 1 to 3 elements, n.3 pcs from 4 to 6 elements).

Ref	Description	Fam.	Subfam.	Disp. Stock	
H4E2BV	RO VESSEL FRP 4" END-PORT 300 PSI 4021 1/2" BSPT F - 1/2" BSPT F	30	180	•	
H4E3BV	RO VESSEL FRP 4" END-PORT 300 PSI 4021 3/4" BSPT F - 1/2" BSPT F	30	180	•	
H4E2B1	RO VESSEL FRP 4" END-PORT 300 PSI 4040 1/2" BSPT F - 1/2" BSPT F	30	180	•	
H4E3B1	RO VESSEL FRP 4" END-PORT 300 PSI 4040 3/4" BSPT F - 1/2" BSPT F	30	180	•	
H4E2B2	RO VESSEL FRP 4" END-PORT 300 PSI 2EL 1/2" BSPT F - 1/2" BSPT F	30	180	•	
H4E3B2	RO VESSEL FRP 4" END-PORT 300 PSI 2EL 3/4" BSPT F - 1/2" BSPT F	30	180	•	
H4E2B3	RO VESSEL FRP 4" END-PORT 300 PSI 3EL 1/2" BSPT F - 1/2" BSPT F	30	180	•	
H4E3B3	RO VESSEL FRP 4" END-PORT 300 PSI 3EL 3/4" BSPT F - 1/2" BSPT F	30	180	•	
H4E2B4	RO VESSEL FRP 4" END-PORT 300 PSI 4EL 1/2" BSPT F - 1/2" BSPT F	30	180		
H4E3B4	RO VESSEL FRP 4" END-PORT 300 PSI 4EL 3/4" BSPT F - 1/2" BSPT F	30	180		
H4E2B5	RO VESSEL FRP 4" END-PORT 300 PSI 5EL 1/2" BSPT F - 1/2" BSPT F	30	180		
H4E3B5	RO VESSEL FRP 4" END-PORT 300 PSI 5EL 3/4" BSPT F - 1/2" BSPT F	30	180		
H4E2B6	RO VESSEL FRP 4" END-PORT 300 PSI 6EL 1/2" BSPT F - 1/2" BSPT F	30	180		
H4E3B6	RO VESSEL FRP 4" END-PORT 300 PSI 6EL 3/4" BSPT F - 1/2" BSPT F	30	180		

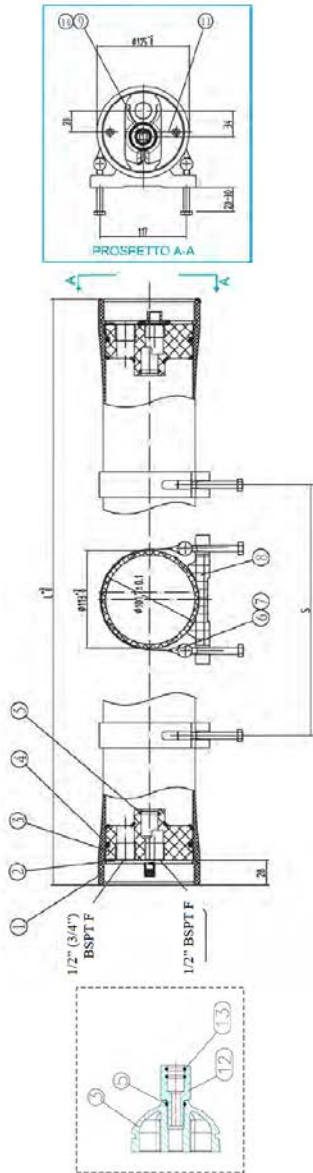
Ref	Elements	L (mm)	S (mm)
H4E2BV	1 x 21"	658	400
H4E3BV	1 x 21"	658	400
H4E2B1	1 x 40"	1140	600
H4E3B1	1 x 40"	1140	600
H4E2B2	2 x 40"	2156	1200
H4E3B2	2 x 40"	2156	1200
H4E2B3	3 x 40"	3172	2200
H4E3B3	3 x 40"	3172	2200
H4E2B4	4 x 40"	4268	1600x2
H4E3B4	4 x 40"	4268	1600x2
H4E2B5	5 x 40"	5284	2300x2
H4E3B5	5 x 40"	5284	2300x2
H4E2B6	6 x 40"	6300	2700x2
H4E3B6	6 x 40"	6300	2700x2

Certificates	Manufacturer	Sectors
DM174-2004 CE	MWG	Industrial



4" Membrane Vessels End Port Series 450 E-4

- Fiberglass reinforced plastic pressure vessels series 450 E-4, D.75" direct connection, white painted, UVA-ray proof material;
- End-cap in ABS;
- Max operating pressure 450 psi (31 bar);
- European 2014/68/EU Directive compliant for pressure equipment (PED);
- Built in accordance with ASME code section X;
- Each vessel is factory tested at 1,5 times max operating pressure;
- Permeate connections 1/2" BSPT F;
- Straps and saddles included (n.2 pcs from 1 to 3 elements, n.3 pcs from 4 to 6 elements).



Ref	Description	Fam.	Subfam.	Disp. Stock	
H4E2CV	RO VESSEL FRP 4" END-PORT 450 PSI 4021 1/2" BSPT F - 1/2" BSPT F	30	180	•	
H4E2C1	RO VESSEL FRP 4" END-PORT 450 PSI 4040 1/2" BSPT F - 1/2" BSPT F	30	180	•	
H4E3C1	RO VESSEL FRP 4" END-PORT 450 PSI 4040 3/4" BSPT F - 1/2" BSPT F	30	180	•	
H4E2C2	RO VESSEL FRP 4" END-PORT 450 PSI 2EL 1/2" BSPT F - 1/2" BSPT F	30	180	•	
H4E3C2	RO VESSEL FRP 4" END-PORT 450 PSI 2EL 3/4" BSPT F - 1/2" BSPT F	30	180	•	
H4E2C3	RO VESSEL FRP 4" END-PORT 450 PSI 3EL 1/2" BSPT F - 1/2" BSPT F	30	180	•	
H4E3C3	RO VESSEL FRP 4" END-PORT 450 PSI 3EL 3/4" BSPT F - 1/2" BSPT F	30	180	•	
H4E2C4	RO VESSEL FRP 4" END-PORT 450 PSI 4EL 1/2" BSPT F - 1/2" BSPT F	30	180		
H4E3C4	RO VESSEL FRP 4" END-PORT 450 PSI 4EL 3/4" BSPT F - 1/2" BSPT F	30	180		
H4E2C5	RO VESSEL FRP 4" END-PORT 450 PSI 5EL 1/2" BSPT F - 1/2" BSPT F	30	180		
H4E3C5	RO VESSEL FRP 4" END-PORT 450 PSI 5EL 3/4" BSPT F - 1/2" BSPT F	30	180		
H4E2C6	RO VESSEL FRP 4" END-PORT 450 PSI 6EL 1/2" BSPT F - 1/2" BSPT F	30	180		
H4E3C6	RO VESSEL FRP 4" END-PORT 450 PSI 6EL 3/4" BSPT F - 1/2" BSPT F	30	180		

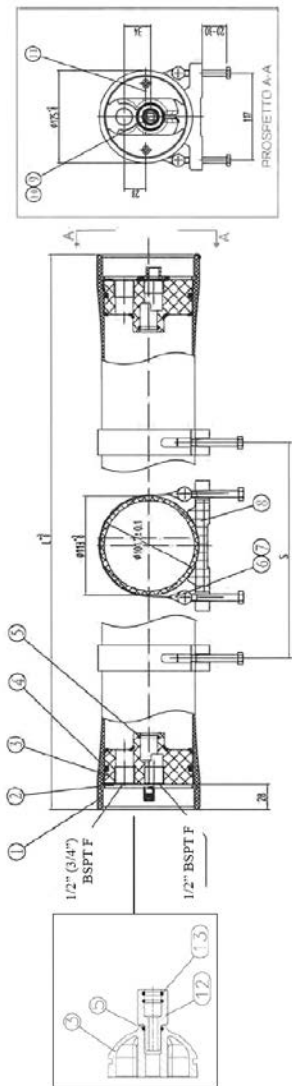
Ref	Elements	L (mm)	S (mm)
H4E2CV	1 x 21"	670	400
H4E2C1	1 x 40"	1152	600
H4E3C1	1 x 40"	1152	600
H4E2C2	2 x 40"	2168	1200
H4E3C2	2 x 40"	2168	1200
H4E2C3	3 x 40"	3184	2200
H4E3C3	3 x 40"	3184	2200
H4E2C4	4 x 40"	4280	1600x2
H4E3C4	4 x 40"	4280	1600x2
H4E2C5	5 x 40"	5296	2300x2
H4E3C5	5 x 40"	5296	2300x2
H4E2C6	6 x 40"	6312	2700x2
H4E3C6	6 x 40"	6312	2700x2

Certificates	Manufacturer	Sectors
DM174-2004 CE	MWG	Industrial



4" End Port Serie 300/450 PSI Vessels Spare Parts

Spare parts

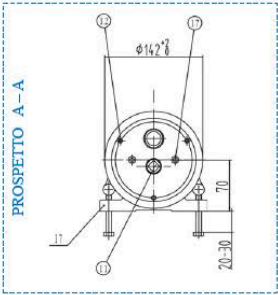
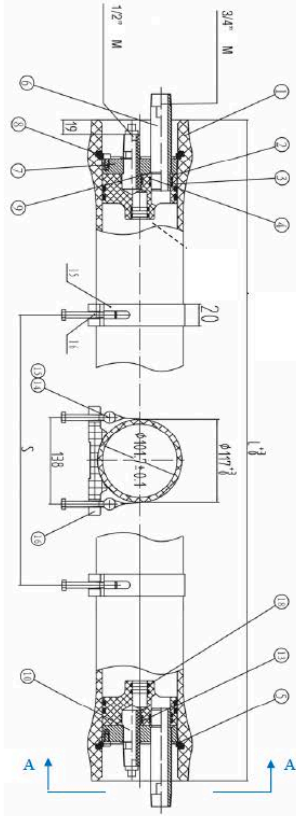
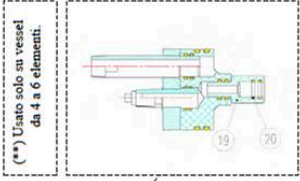


Ref	Description	Fam.	Subfam.	Disp. Stock	
H4R041	4" MPV SEEGER IN AISI 304 FOR 300-450 PSI	30	180	•	
H4R401	4" MPV END PLATE ABS- PP 1/2" BSPT + FCP 1/2" BSPT END PORT 300-450PSI	30	180	•	
H4R403	4" MPV END PLATE ABS- PP 1/2" BSPT + FCP 3/4" BSPT END PORT 300-450PSI	30	180	•	
H4R107	4" MPV HEAD SEAL IN EPDM FOR 300÷1200 PSI	30	180	•	
H2R101	2,5" & 4" MPV ADAPTER SEAL IN EPDM FOR 300÷1200 PSI	30	180	•	
H4R003	4" MPV STRAP FOR 300-450 PSI L=265 MM	30	180	•	
H4R001	4" MPV SADDLE FOR 300-1200 PSI	30	180	•	
H4R081	4" MPV PLUG IN ABS FOR 300-450 PSI	30	180	•	
H4R101	4" MPV O-RING IN EPDM OF PLUG 300-450 PSI	30	180	•	
H4R209	4" MPV SEEGER SCREW M6x14 IN AISI 304	30	180	•	
H4R601	4" MPV ADAPTER IN ABS FOR END/SIDE P 300-450 PSI + 600-1000-1200 END P	30	180	•	
H2R101	2,5" & 4" MPV ADAPTER SEAL IN EPDM FOR 300÷1200 PSI	30	180	•	

Item	Ref	Q.ty	Material	Note
2	H4R041	4	AISI 304	
3 + 5	H4R401	2	ABS	1/2" 1/2"
3 + 5	H4R403	2	ABS	3/4" 1/2"
4	H4R107	2	EPDM	90 x 5,3
5	H2R101	2	EPDM	19 x 2,65
6 + 7	H4R003	2-3	AISI 304 - Rubber	
8	H4R001	2-3	Rubber	
9	H4R081	1	ABS	
10	H4R101	1	EPDM	23,6 x 3,55
11	H4R209	4	AISI 304	M6 x 14
12 + 13	H4R601	2	ABS	
13	H2R101	4	EPDM	19 x 2,65



4" Membrane Vessels End Port Series 600 E-4



- Fiberglass reinforced plastic pressure vessels series 600 E-4, complete with 0,75" adapters, white painted, UVA-ray proof material;
- Max operating pressure 600 psi (41 bar);
- European 2014/68/EU Directive compliant for pressure equipment (PED);
- Built in accordance with ASME code section X;
- Each vessel is factory tested at 1,5 times max operating pressure;
- Feed/concentrate connections 3/4" BSPT M, in super duplex steel AISI 2507;
- Permeate connections 1/2" BSPT M;
- Straps and saddles included (n.2 pcs from 1 to 3 elements, n.3 pcs from 4 to 6 elements).

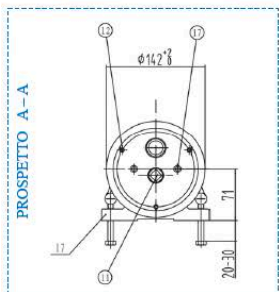
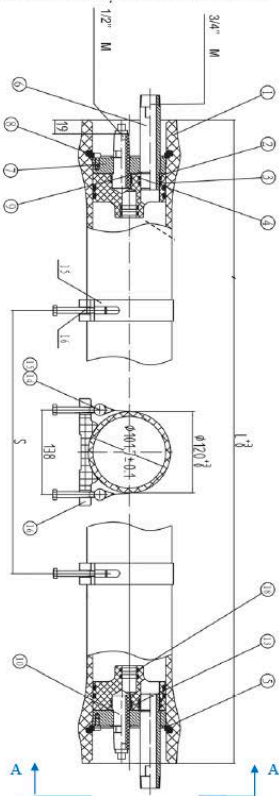
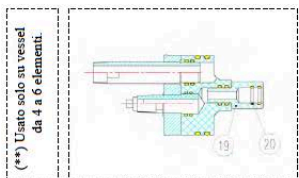
Ref	Description	Fam.	Subfam.	Disp. Stock	
H4E4DV	RO VESSEL FRP 4" END-PORT 600 PSI 4021 3/4" BSPT M - 1/2" BSPT M	30	180	•	
H4E4D1	RO VESSEL FRP 4" END-PORT 600 PSI 4040 3/4" BSPT M - 1/2" BSPT M	30	180	•	
H4E4D2	RO VESSEL FRP 4" END-PORT 600 PSI 2EL 3/4" BSPT M - 1/2" BSPT M	30	180		
H4E4D3	RO VESSEL FRP 4" END-PORT 600 PSI 3EL 3/4" BSPT M - 1/2" BSPT M	30	180		
H4E4D4	RO VESSEL FRP 4" END-PORT 600 PSI 4EL 3/4" BSPT M - 1/2" BSPT M	30	180		

Ref	Elements	L (mm)	S (mm)
H4E4DV	1 x 21"	762	400
H4E4D1	1 x 40"	1244	600
H4E4D2	2 x 40"	2260	1200
H4E4D3	3 x 40"	3276	2200
H4E4D4	4 x 40"	4372	1600 x 2

Certificates	Manufacturer	Sectors
DM174-2004 CE	MWG	Industrial



4" Membrane Vessels End Port Series 1000 E-4



- Fiberglass reinforced plastic pressure vessels series 1000 E-4, complete with 0,75" adapters, white painted, UVA-ray proof material;
- Max operating pressure 1000 psi (69 bar);
- European 2014/68/EU Directive compliant for pressure equipment (PED);
- Built in accordance with ASME code section X;
- Each vessel is factory tested at 1,5 times max operating pressure;
- Feed/concentrate connections $\frac{3}{4}$ " BSPT M, in super duplex steel AISI 2507;
- Permeate connections $\frac{1}{2}$ " BSPT M;
- Straps and saddles included (n.2 pcs from 1 to 3 elements, n.3 pcs from 4 to 6 elements).

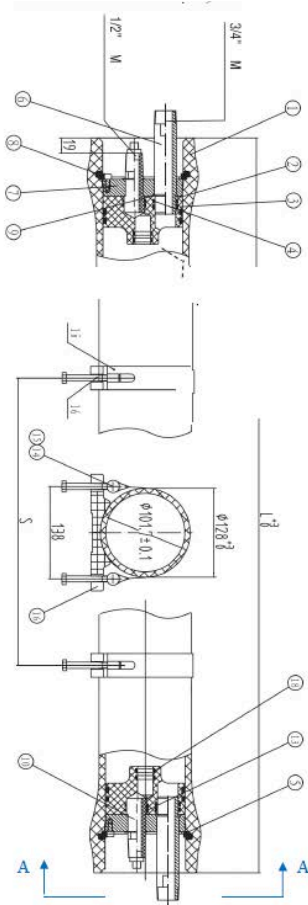
Ref	Description	Fam.	Subfam.	Disp. Stock
H4E4GV	RO VESSEL FRP 4" END-PORT 1000 PSI 4021 3/4" BSPT M - 1/2" BSPT M	30	180	•
H4E4G1	RO VESSEL FRP 4" END-PORT 1000 PSI 4040 3/4" BSPT M - 1/2" BSPT M	30	180	•
H4E4G2	RO VESSEL FRP 4" END-PORT 1000 PSI 2EL 3/4" BSPT M - 1/2" BSPT M	30	180	•
H4E4G3	RO VESSEL FRP 4" END-PORT 1000 PSI 3EL 3/4" BSPT M - 1/2" BSPT M	30	180	•
H4E4G4	RO VESSEL FRP 4" END-PORT 1000 PSI 4EL 3/4" BSPT M - 1/2" BSPT M	30	180	
H4E4G5	RO VESSEL FRP 4" END-PORT 1000 PSI 5EL 3/4" BSPT M - 1/2" BSPT M	30	180	
H4E4G6	RO VESSEL FRP 4" END-PORT 1000 PSI 6EL 3/4" BSPT M - 1/2" BSPT M	30	180	

Ref	Elements	L (mm)	S (mm)
H4E4GV	1 x 21"	762	400
H4E4G1	1 x 40"	1244	600
H4E4G2	2 x 40"	2260	1200
H4E4G3	3 x 40"	3276	2200
H4E4G4	4 x 40"	4372	1600 x 2
H4E4G5	5 x 40"	5388	2300 x 2
H4E4G6	6 x 40"	6404	2700 x 2

Certificates	Manufacturer	Sectors
DM174-2004 CE	MWG	Industrial



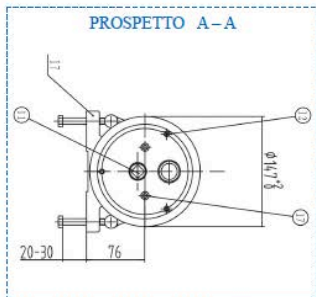
4" Membrane Vessels End Port Series 1200 E-4



- Fiberglass reinforced plastic pressure vessels series 1200 E-4, complete with 0,75" adapters, white painted, UVA-ray proof material;
- Max operating pressure 1200 psi (83 bar);
- European 2014/68/EU Directive compliant for pressure equipment (PED);
- Built in accordance with ASME code section X;
- Each vessel is factory tested at 1,5 times max operating pressure;
- Feed/concentrate connections 3/4" BSPT M, in super duplex steel AISI 2507;
- Permeate connections 1/2" BSPT M;
- Straps and saddles included (n.2 pcs from 1 to 3 elements, n.3 pcs from 4 to 6 elements).

Ref	Description	Fam.	Subfam.	Disp. Stock
H4E4H1	RO VESSEL FRP 4" END-PORT 1200 PSI 4040 3/4" BSPT M - 1/2" BSPT M	30	180	•
H4E4H2	RO VESSEL FRP 4" END-PORT 1200 PSI 2EL 3/4" BSPT M - 1/2" BSPT M	30	180	•
H4E4H3	RO VESSEL FRP 4" END-PORT 1200 PSI 3EL 3/4" BSPT M - 1/2" BSPT M	30	180	•
H4E4H4	RO VESSEL FRP 4" END-PORT 1200 PSI 4EL 3/4" BSPT M - 1/2" BSPT M	30	180	
H4E4H5	RO VESSEL FRP 4" END-PORT 1200 PSI 5EL 3/4" BSPT M - 1/2" BSPT M	30	180	
H4E4H6	RO VESSEL FRP 4" END-PORT 1200 PSI 6EL 3/4" BSPT M - 1/2" BSPT M	30	180	

Ref	Elements	L (mm)	S (mm)
H4E4H1	1 x 40"	1244	600
H4E4H2	2 x 40"	2260	1200
H4E4H3	3 x 40"	3276	2200
H4E4H4	4 x 40"	4372	1600 x 2
H4E4H5	5 x 40"	5388	2300 x 2
H4E4H6	6 x 40"	6404	2700 x 2

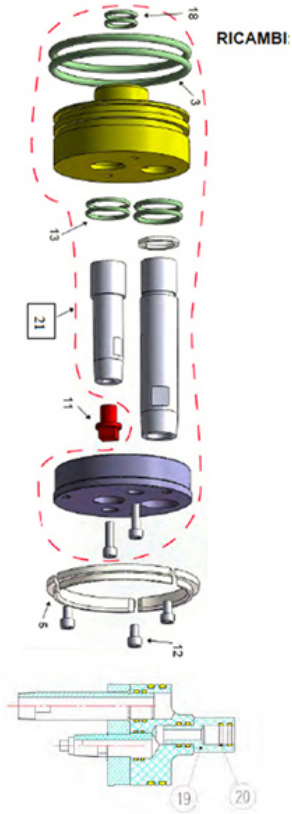


Certificates	Manufacturer	Sectors
DM174-2004 CE	MWG	Industrial



4" End Port Serie 600/1000/1200 psi Vessel spare parts

Spare parts



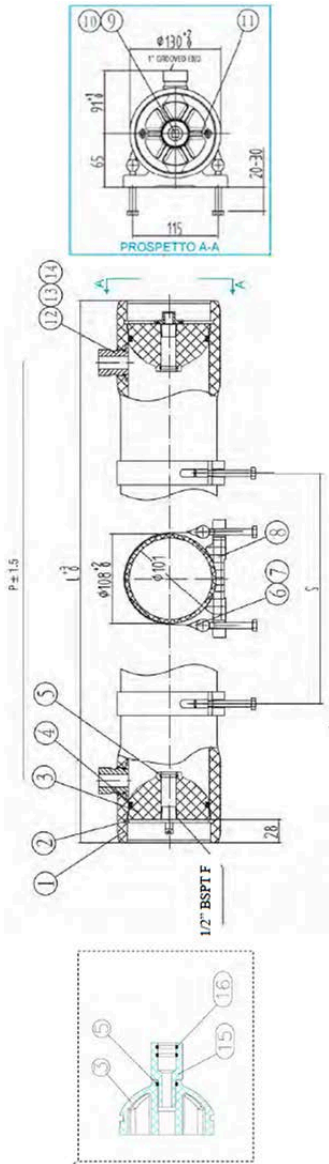
Ref	Description	Fam.	Subfam.	Disp. Stock	
H4R107	4" MPV HEAD SEAL IN EPDM FOR 300÷1200 PSI	30	180	•	
H4R045	4" MPV LOCKING KIT SEGMENT (3PCS) IN AISI 316 FOR 600-1200 PSI	30	180	•	
H4R083	4" MPV PLUG IN ABS FOR 600-1200 PSI	30	180	•	
H4R205	4" MPV SECURING SCREW IN ISI 304 FOR 600-1200 PSI	30	180	•	
H4R111	4" MPV PERMEATE PORT O-RING IN EPDM	30	180	•	
H4R005	4" MPV STRAP FOR 600-1000 PSI L=280 MM	30	180	•	
H4R001	4" MPV SADDLE FOR 300-1200 PSI	30	180	•	
H2R101	2,5" & 4" MPV ADAPTER SEAL IN EPDM FOR 300÷1200 PSI	30	180	•	
H4R601	4" MPV ADAPTER IN ABS FOR END/SIDE P 300-450 PSI + 600-1000-1200 END P	30	180	•	
H2R101	2,5" & 4" MPV ADAPTER SEAL IN EPDM FOR 300÷1200 PSI	30	180	•	
H4R707	4" MPV HEAD ASSEMBLY END PORT 600-1000-1200 PSI	30	180	•	

Item	Ref	Q.ty	Material	Note
3	H4R107	4	EPDM	90 x 5,3
5	H4R045	2	AISI 316	
11	H4R083	1	ABS	
12	H4R205	6	AISI 304	M6 x 20
13	H4R111	4	EPDM	25 x 2,65
14 + 15	H4R005	2-3	AISI 304 - Rubber	
16	H4R001	2-3	Rubber	
18	H2R101	4	EPDM	19 x 2,65
19 + 20	H4R601	2	ABS	
20	H2R101	4	EPDM	19 x 2,65
21	H4R707	2		



4" Membrane Vessels Side Port Series 300 S-4

- Fiberglass reinforced plastic pressure vessels series 300 S-4, D.75" direct connection, white painted, UVA-ray proof material;
- Max operating pressure 300 psi (21 bar);
- European 2014/68/EU Directive compliant for pressure equipment (PED);
- Built in accordance with ASME code section X;
- Each vessel is factory tested at 1,5 times max operating pressure;
- Feed/concentrate connections 1" Victaulic, 0° or 180° oriented;
- Permeate connections 1/2" BSPT F;
- Straps and saddles included (n.2 pcs from 1 to 3 elements, n.3 pcs from 4 to 6 elements).



Ref	Description	Fam.	Subfam.	Disp. Stock
H410B1	RO VESSEL FRP 4" SIDE-PORT 300 PSI 4040 1C5C - 1/2" BSPT F	30	180	
H410B2	RO VESSEL FRP 4" SIDE-PORT 300 PSI 2EL 1C5C - 1/2" BSPT F	30	180	
H410B3	RO VESSEL FRP 4" SIDE-PORT 300 PSI 3EL 1C5C - 1/2" BSPT F	30	180	
H410B4	RO VESSEL FRP 4" SIDE-PORT 300 PSI 4EL 1C5C - 1/2" BSPT F	30	180	
H410B5	RO VESSEL FRP 4" SIDE-PORT 300 PSI 5EL 1C5C - 1/2" BSPT F	30	180	
H410B6	RO VESSEL FRP 4" SIDE-PORT 300 PSI 6EL 1C5C - 1/2" BSPT F	30	180	
H412B1	RO VESSEL FRP 4" SIDE-PORT 300 PSI 4040 1C7C - 1/2" BSPT F	30	180	
H412B2	RO VESSEL FRP 4" SIDE-PORT 300 PSI 2EL 1C7C - 1/2" BSPT F	30	180	
H412B3	RO VESSEL FRP 4" SIDE-PORT 300 PSI 3EL 1C7C - 1/2" BSPT F	30	180	
H412B4	RO VESSEL FRP 4" SIDE-PORT 300 PSI 4EL 1C7C - 1/2" BSPT F	30	180	
H412B5	RO VESSEL FRP 4" SIDE-PORT 300 PSI 5EL 1C7C - 1/2" BSPT F	30	180	
H412B6	RO VESSEL FRP 4" SIDE-PORT 300 PSI 6EL 1C7C - 1/2" BSPT F	30	180	

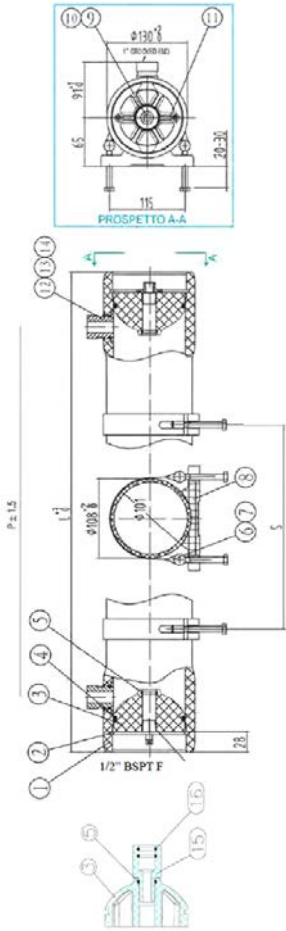
Ref	Elements	L (mm)	P (mm)	S (mm)	Orient.
H410B1	1 x 40"	1140	984	600	0°
H410B2	2 x 40"	2156	2000	1200	0°
H410B3	3 x 40"	3172	3016	2200	0°
H410B4	4 x 40"	4268	4112	1600 x 2	0°
H410B5	5 x 40"	5284	5128	2300 x 2	0°
H410B6	6 x 40"	6300	6144	2700 x 2	0°
H412B1	1 x 40"	1140	984	600	180°
H412B2	2 x 40"	2156	2000	1200	180°
H412B3	3 x 40"	3172	3016	2200	180°
H412B4	4 x 40"	4268	4112	1600 x 2	180°
H412B5	5 x 40"	5284	5128	2300 x 2	180°
H412B6	6 x 40"	6300	6144	2700 x 2	180°

Certificates	Manufacturer	Sectors
DM174-2004 CE	MWG	Industrial



4" Membrane Vessels Side Port Series 300 S-4

Spare parts



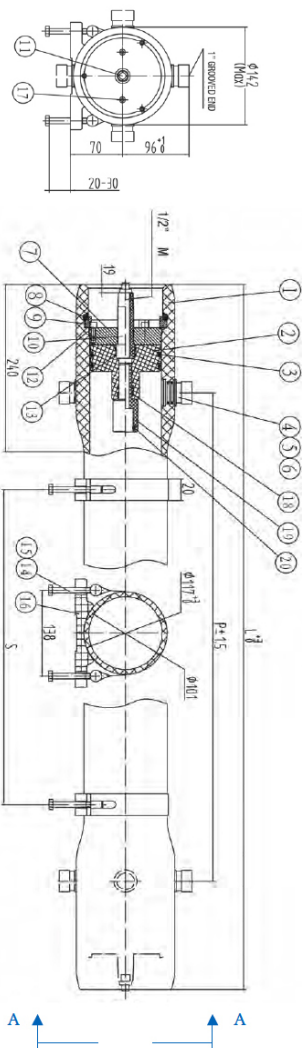
Ref	Description	Fam.	Subfam.	Disp. Stock	
H4R041	4" MPV SEEGER IN AISI 304 FOR 300-450 PSI	30	180	•	
H4R405	4" MPV END PLATE ABS WITH FOR MEATE PORT 1/2"BSPT FOR SIDE PORT 300 PSI	30	180	•	
H4R107	4" MPV HEAD SEAL IN EPDM FOR 300÷1200 PSI	30	180	•	
H2R101	2,5" & 4" MPV ADAPTER SEAL IN EPDM FOR 300÷1200 PSI	30	180	•	
H4R003	4" MPV STRAP FOR 300-450 PSI L=265 MM	30	180	•	
H4R001	4" MPV SADDLE FOR 300-1200 PSI	30	180	•	
H4R081	4" MPV PLUG IN ABS FOR 300-450 PSI	30	180	•	
H4R101	4" MPV O-RING IN EPDM OF PLUG 300-450 PSI	30	180	•	
H4R209	4" MPV SEEGER SCREW M6x14 IN AISI 304	30	180	•	
H4R601	4" MPV ADAPTER IN ABS FOR END/SIDE P 300-450 PSI + 600-1000-1200 END P	30	180	•	
H2R101	2,5" & 4" MPV ADAPTER SEAL IN EPDM FOR 300÷1200 PSI	30	180	•	

Item	Ref	Q.ty	Material	Note
2	H4R041	4	AISI 31	
3 + 5	H4R405	2	ABS	
4	H4R107	2	EPDM	90 x 5,3
5	H2R101	2	EPDM	19 x 2,65
6 + 7	H4R003	2-3	AISI 304 - Rubber	
8	H4R001	2-3	Rubber	
9	H4R081	1	ABS	
10	H4R101	1	EPDM	23,6 x 3,55
11	H4R209	4	AISI 304	M6 x 14
15 + 16	H4R601	2	ABS	
16	H2R101	4	EPDM	19 x 2,65



4" Membrane Vessels Side Port Series 600 S-4

PROSPETTO A-A



- Fiberglass reinforced plastic pressure vessels series 600 S-4, D.75" direct connection, white painted, UVA-ray proof material;
- Max operating pressure 600 psi (41 bar);
- European 2014/68/EU Directive compliant for pressure equipment (PED);
- Built in accordance with ASME code section X;
- Each vessel is factory tested at 1,5 times max operating pressure;
- Feed/conc. connections 1" Victaulic, 0° or 180° oriented, in super duplex steel AISI 2507;
- Permeate connections 1/2" BSPT M;
- Straps and saddles included (n.2 pcs from 1 to 3 elements, n.3 pcs from 4 to 6 elements).

Ref	Description	Fam.	Subfam.	Disp. Stock	
H410D1	RO VESSEL FRP 4" SIDE-PORT 600 PSI 4040 1C5C - 1/2" BSPT M	30	180		
H410D2	RO VESSEL FRP 4" SIDE-PORT 600 PSI 2EL 1C5C - 1/2" BSPT M	30	180		
H410D3	RO VESSEL FRP 4" SIDE-PORT 600 PSI 3EL 1C5C - 1/2" BSPT M	30	180		
H410D4	RO VESSEL FRP 4" SIDE-PORT 600 PSI 4EL 1C5C - 1/2" BSPT M	30	180		
H410D5	RO VESSEL FRP 4" SIDE-PORT 600 PSI 5EL 1C5C - 1/2" BSPT M	30	180		
H410D6	RO VESSEL FRP 4" SIDE-PORT 600 PSI 6EL 1C5C - 1/2" BSPT M	30	180		
H412D1	RO VESSEL FRP 4" SIDE-PORT 600 PSI 4040 1C7C - 1/2" BSPT M	30	180		
H412D2	RO VESSEL FRP 4" SIDE-PORT 600 PSI 2EL 1C7C - 1/2" BSPT M	30	180		
H412D3	RO VESSEL FRP 4" SIDE-PORT 600 PSI 3EL 1C7C - 1/2" BSPT M	30	180		
H412D4	RO VESSEL FRP 4" SIDE-PORT 600 PSI 4EL 1C7C - 1/2" BSPT M	30	180		
H412D5	RO VESSEL FRP 4" SIDE-PORT 600 PSI 5EL 1C7C - 1/2" BSPT M	30	180		
H412D6	RO VESSEL FRP 4" SIDE-PORT 600 PSI 6EL 1C7C - 1/2" BSPT M	30	180		

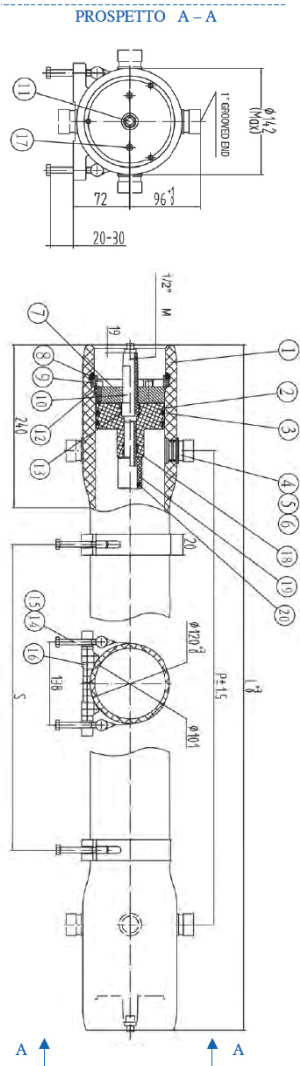
Ref	Elemets	L (mm)	P (mm)	S (mm)	Orient.
H410D1	1 x 40"	1364	1036	600	0°
H410D2	2 x 40"	2380	2052	1200	0°
H410D3	3 x 40"	3396	3068	2200	0°
H410D4	4 x 40"	4412	4084	1600 x 2	0°
H410D5	5 x 40"	5428	5100	2300 x 2	0°
H410D6	6 x 40"	6444	6116	2700 x 2	0°
H412D1	1 x 40"	1364	1036	600	180°
H412D2	2 x 40"	2380	2052	1200	180°
H412D3	3 x 40"	3396	3068	2200	180°
H412D4	4 x 40"	4412	4084	1600 x 2	180°
H412D5	5 x 40"	5428	5100	2300 x 2	180°
H412D6	6 x 40"	6444	6116	2700 x 2	180°

Certificates	Manufacturer	Sectors
DM174-2004 CE	MWG	Industrial



4" Membrane Vessels Side Port Series 1000 S-4

- Fiberglass reinforced plastic pressure vessels series 1000 S-4, D.75" direct connection, white painted, UVA-ray proof material;
- Max operating pressure 1000 psi (69 bar); European 2014/68/EU Directive compliant for pressure equipment (PED);
- Built in accordance with ASME code section X;
- Each vessel is factory tested at 1,5 times max operating pressure;
- Feed/conc. connections 1" Victaulic, 0° or 180° oriented, in super duplex steel AISI 2507;
- Permeate connections 1/2" BSPT M;
- Straps and saddles included (n.2 pcs from 1 to 3 elements, n.3 pcs from 4 to 6 elements).



Ref	Description	Fam.	Subfam.	Disp. Stock	
H410G1	RO VESSEL FRP 4" SIDE-PORT 1000 PSI 4040 1C5C - 1/2" BSPT M	30	180		
H410G2	RO VESSEL FRP 4" SIDE-PORT 1000 PSI 2EL 1C5C - 1/2" BSPT M	30	180		
H410G3	RO VESSEL FRP 4" SIDE-PORT 1000 PSI 3EL 1C5C - 1/2" BSPT M	30	180		
H410G4	RO VESSEL FRP 4" SIDE-PORT 1000 PSI 4EL 1C5C - 1/2" BSPT M	30	180		
H410G5	RO VESSEL FRP 4" SIDE-PORT 1000 PSI 5EL 1C5C - 1/2" BSPT M	30	180		
H410G6	RO VESSEL FRP 4" SIDE-PORT 1000 PSI 6EL 1C5C - 1/2" BSPT M	30	180		
H412G1	RO VESSEL FRP 4" SIDE-PORT 1000 PSI 4040 1C7C - 1/2" BSPT M	30	180		
H412G2	RO VESSEL FRP 4" SIDE-PORT 1000 PSI 2EL 1C7C - 1/2" BSPT M	30	180		
H412G3	RO VESSEL FRP 4" SIDE-PORT 1000 PSI 3EL 1C7C - 1/2" BSPT M	30	180		
H412G4	RO VESSEL FRP 4" SIDE-PORT 1000 PSI 4EL 1C7C - 1/2" BSPT M	30	180		
H412G5	RO VESSEL FRP 4" SIDE-PORT 1000 PSI 5EL 1C7C - 1/2" BSPT M	30	180		
H412G6	RO VESSEL FRP 4" SIDE-PORT 1000 PSI 6EL 1C7C - 1/2" BSPT M	30	180		

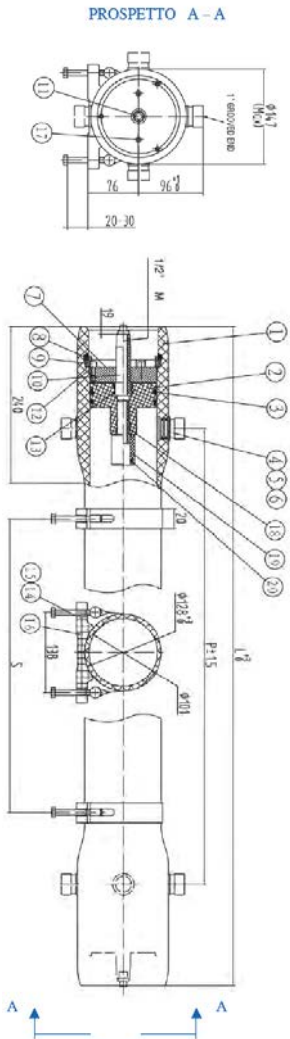
Ref	Elemets	L (mm)	P (mm)	S (mm)	Orient.
H410G1	1 x 40"	1364	1036	600	0°
H410G2	2 x 40"	2380	2052	1200	0°
H410G3	3 x 40"	3396	3068	2200	0°
H410G4	4 x 40"	4412	4084	1600 x 2	0°
H410G5	5 x 40"	5428	5100	2300 x 2	0°
H410G6	6 x 40"	6444	6116	2700 x 2	0°
H412G1	1 x 40"	1364	1036	600	180°
H412G2	2 x 40"	2380	2052	1200	180°
H412G3	3 x 40"	3396	3068	2200	180°
H412G4	4 x 40"	4412	4084	1600 x 2	180°
H412G5	5 x 40"	5428	5100	2300 x 2	180°
H412G6	6 x 40"	6444	6116	2700 x 2	180°

Certificates	Manufacturer	Sectors
DM174-2004 CE	MWG	Industrial



4" Membrane Vessels Side Port Series 1200 S-4

- Fiberglass reinforced plastic pressure vessels series 1200 S-4, D.75" direct connection, white painted, UVA-ray proof material;
- Max operating pressure 1200 psi (83 bar);
- European 2014/68/EU Directive compliant for pressure equipment (PED);
- Built in accordance with ASME code section X;
- Each vessel is factory tested at 1,5 times max operating pressure;
- Feed/conc. connections 1" Victaulic, 0° or 180° oriented, in super duplex steel AISI 2507;
- Permeate connections 1/2" BSPT M;
- Straps and saddles included (n.2 pcs from 1 to 3 elements, n.3 pcs from 4 to 6 elements).



Ref	Description	Fam.	Subfam.	Disp. Stock	
H410H1	RO VESSEL FRP 4" SIDE-PORT 1200 PSI 4040 1C5C - 1/2" BSPT M	30	180		
H410H2	RO VESSEL FRP 4" SIDE-PORT 1200 PSI 2EL 1C5C - 1/2" BSPT M	30	180		
H410H3	RO VESSEL FRP 4" SIDE-PORT 1200 PSI 3EL 1C5C - 1/2" BSPT M	30	180		
H410H4	RO VESSEL FRP 4" SIDE-PORT 1200 PSI 4EL 1C5C - 1/2" BSPT M	30	180		
H410H5	RO VESSEL FRP 4" SIDE-PORT 1200 PSI 5EL 1C5C - 1/2" BSPT M	30	180		
H410H6	RO VESSEL FRP 4" SIDE-PORT 1200 PSI 6EL 1C5C - 1/2" BSPT M	30	180		
H412H1	RO VESSEL FRP 4" SIDE-PORT 1200 PSI 4040 1C7C - 1/2" BSPT M	30	180		
H412H2	RO VESSEL FRP 4" SIDE-PORT 1200 PSI 2EL 1C7C - 1/2" BSPT M	30	180		
H412H3	RO VESSEL FRP 4" SIDE-PORT 1200 PSI 3EL 1C7C - 1/2" BSPT M	30	180		
H412H4	RO VESSEL FRP 4" SIDE-PORT 1200 PSI 4EL 1C7C - 1/2" BSPT M	30	180		
H412H5	RO VESSEL FRP 4" SIDE-PORT 1200 PSI 5EL 1C7C - 1/2" BSPT M	30	180		
H412H6	RO VESSEL FRP 4" SIDE-PORT 1200 PSI 6EL 1C7C - 1/2" BSPT M	30	180		

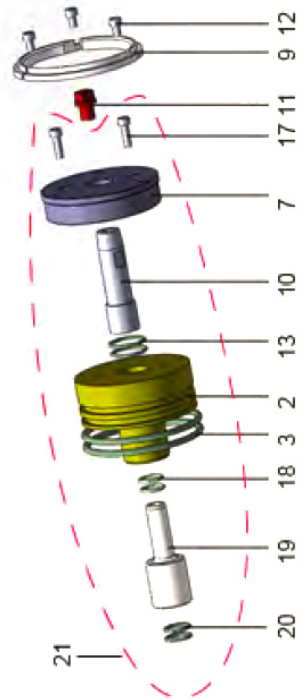
Ref	Elements	L (mm)	P (mm)	S (mm)	Orient.
H410H1	1 x 40"	1364	1036	600	0°
H410H2	2 x 40"	2380	2052	1200	0°
H410H3	3 x 40"	3396	3068	2200	0°
H410H4	4 x 40"	4412	4084	1600 x 2	0°
H410H5	5 x 40"	5428	5100	2300 x 2	0°
H410H6	6 x 40"	6444	6116	2700 x 2	0°
H412H1	1 x 40"	1364	1036	600	180°
H412H2	2 x 40"	2380	2052	1200	180°
H412H3	3 x 40"	3396	3068	2200	180°
H412H4	4 x 40"	4412	4084	1600 x 2	180°
H412H5	5 x 40"	5428	5100	2300 x 2	180°
H412H6	6 x 40"	6444	6116	2700 x 2	180°

Certificates	Manufacturer	Sectors
DM174-2004 CE	MWG	Industrial



4" Side Port 600-1000-1200 Psi Vessel spare parts

Spare parts

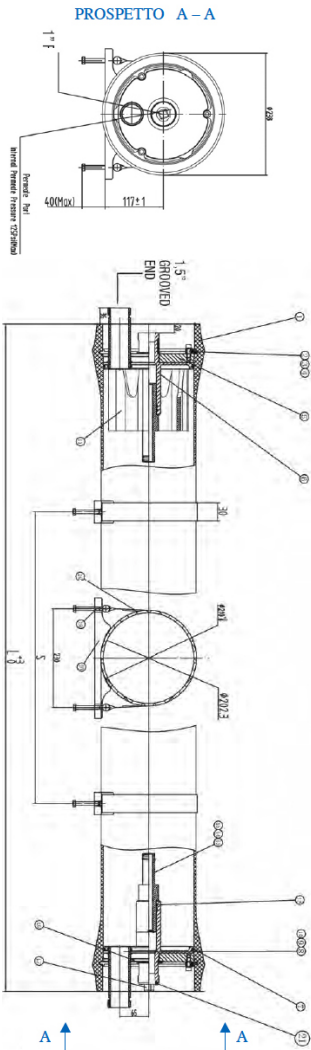


Ref	Description	Fam.	Subfam.	Disp. Stock	
H4R107	4" MPV HEAD SEAL IN EPDM FOR 300÷1200 PSI	30	180	•	
H4R045	4" MPV LOCKING KIT SEGMENT (3PCS) IN AISI 316 FOR 600-1200 PSI	30	180	•	
H4R083	4" MPV PLUG IN ABS FOR 600-1200 PSI	30	180	•	
H4R205	4" MPV SECURING SCREW IN ISI 304 FOR 600-1200 PSI	30	180	•	
H4R111	4" MPV PERMEATE PORT O-RING IN EPDM	30	180	•	
H4R005	4" MPV STRAP FOR 600-1000 PSI L=280 MM	30	180	•	
H4R001	4" MPV SADDLE FOR 300-1200 PSI	30	180	•	
H4R113	4" MPV O-RING OF SEALING PLATE	30	180	•	
H4R603	4" MPV ADAPTER IN ABS FOR SIDE PORT 600-1000-1200 PSI	30	180	•	
H2R101	2,5" & 4" MPV ADAPTER SEAL IN EPDM FOR 300÷1200 PSI	30	180	•	
H4R717	4" MPV HEAD ASSEMBLY SIDE PORT 600-1000-1200 PSI	30	180	•	

Item	Ref	Q.ty	Material	Note
3	H4R107	4	EPDM	90 x 5,3
9	H4R045	2	AISI 316	
11	H4R083	1	ABS	
12	H4R205	6	AISI 304	M6 x 20
13	H4R111	4	EPDM	25 x 2,65
Non Visual	H4R005	2 - 3	AISI 304 - Rubber	
Non Visual	H4R001	2 - 3	Rubber	
18	H4R113	4	EPDM	17 x 2,65
19 + 20	H4R603	2	ABS	
20	H2R101	4	EPDM	19 x 2,65
21	H4R717	2		



8" Membrane Vessels End Port Series 300 E-8



- Fiberglass reinforced plastic pressure vessels series 300 E-8, white painted, UVA-ray proof material;
- Max operating pressure 300 psi (21 bar);
- European 2014/68/EU Directive compliant for pressure equipment (PED);
- Built in accordance with ASME code section X;
- Each vessel is factory tested at 1,5 times max operating pressure;
- Feed/concentrate connections 1 ½" Victaulic in AISI 316;
- Permeate connections 1" BSPT F;
- Straps and saddles included (n.2 pcs from 1 to 3 elements, n.3 pcs from 4 to 7 elements);
- 1,125" membrane adapters included.

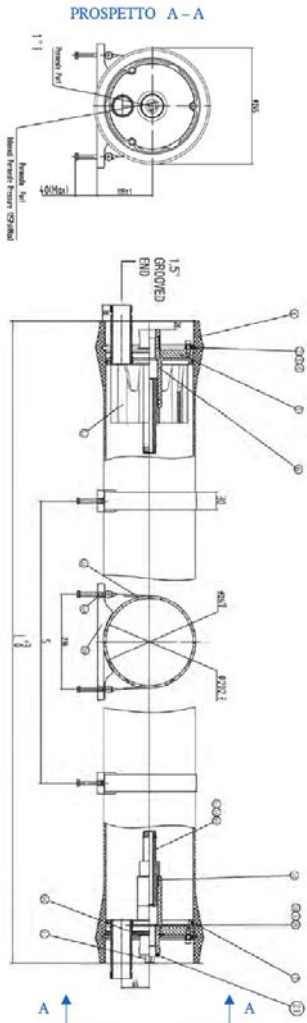
Ref	Description	Fam.	Subfam.	Disp. Stock
H8E5B1	RO VESSEL FRP 8" END-PORT 300 PSI 1EL 1,5" VICT. - 1" BSPT F	35	180	•
H8E5B2	RO VESSEL FRP 8" END-PORT 300 PSI 2EL 1,5" VICT. - 1" BSPT F	35	180	•
H8E5B3	RO VESSEL FRP 8" END-PORT 300 PSI 3EL 1,5" VICT. - 1" BSPT F	35	180	•
H8E5B4	RO VESSEL FRP 8" END-PORT 300 PSI 4EL 1,5" VICT. - 1" BSPT F	35	180	•
H8E5B5	RO VESSEL FRP 8" END-PORT 300 PSI 5EL 1,5" VICT. - 1" BSPT F	35	180	•
H8E5B6	RO VESSEL FRP 8" END-PORT 300 PSI 6EL 1,5" VICT. - 1" BSPT F	35	180	•
H8E5B7	RO VESSEL FRP 8" END-PORT 300 PSI 7EL 1,5" VICT. - 1" BSPT F	35	180	

Ref	Elements	L (mm)	S (mm)
H8E5B1	1 x 40"	1498	700
H8E5B2	2 x 40"	2514	1460
H8E5B3	3 x 40"	3530	2080
H8E5B4	4 x 40"	4546	1600 x 2
H8E5B5	5 x 40"	5562	2000 x 2
H8E5B6	6 x 40"	6578	2360 x 2
H8E5B7	7 x 40"	7594	2860 x 2

Certificates	Manufacturer	Sectors
DM174-2004 CE	MWG	Industrial



8" Membrane Vessels End Port Series 450 E-8



- Fiberglass reinforced plastic pressure vessels series 450 E-8, white painted, UVA-ray proof material;
- Max operating pressure 450 psi (31 bar);
- European 2014/68/EU Directive compliant for pressure equipment (PED);
- Built in accordance with ASME code section X;
- Each vessel is factory tested at 1,5 times max operating pressure;
- Feed/concentrate connections 1 ½" Victaulic in AISI 316;
- Permeate connections 1" BSPT F;
- Straps and saddles included (n.2 pcs from 1 to 3 elements, n.3 pcs from 4 to 7 elements);
- 1,125" membrane adapters included.

Ref	Description	Fam.	Subfam.	Disp. Stock	
H8E5C1	RO VESSEL FRP 8" END-PORT 450 PSI 1EL 1,5" VICT. - 1" BSPT F	35	180	•	
H8E5C2	RO VESSEL FRP 8" END-PORT 450 PSI 2EL 1,5" VICT. - 1" BSPT F	35	180	•	
H8E5C3	RO VESSEL FRP 8" END-PORT 450 PSI 3EL 1,5" VICT. - 1" BSPT F	35	180	•	
H8E5C4	RO VESSEL FRP 8" END-PORT 450 PSI 4EL 1,5" VICT. - 1" BSPT F	35	180		
H8E5C5	RO VESSEL FRP 8" END-PORT 450 PSI 5EL 1,5" VICT. - 1" BSPT F	35	180		
H8E5C6	RO VESSEL FRP 8" END-PORT 450 PSI 6EL 1,5" VICT. - 1" BSPT F	35	180		
H8E5C7	RO VESSEL FRP 8" END-PORT 450 PSI 7EL 1,5" VICT. - 1" BSPT F	35	180		

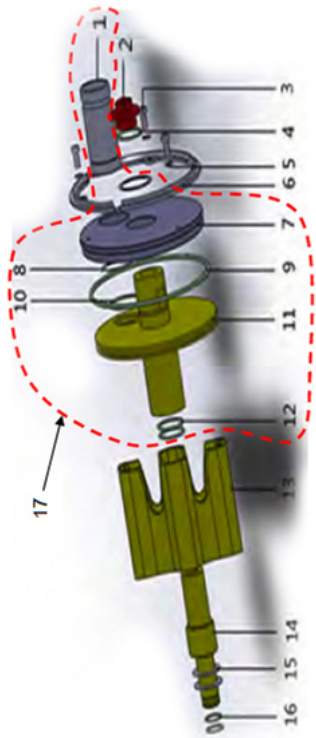
Ref	Elements	L (mm)	S (mm)
H8E5C1	1 x 40"	1498	700
H8E5C2	2 x 40"	2514	1460
H8E5C3	3 x 40"	3530	2080
H8E5C4	4 x 40"	4546	1600 x 2
H8E5C5	5 x 40"	5562	2000 x 2
H8E5C6	6 x 40"	6578	2360 x 2
H8E5C7	7 x 40"	7594	2860 x 2

Certificates	Manufacturer	Sectors
DM174-2004 CE	MWG	Industrial



8" End Port 300-450 Psi Vessels Spare Parts

Spare Parts

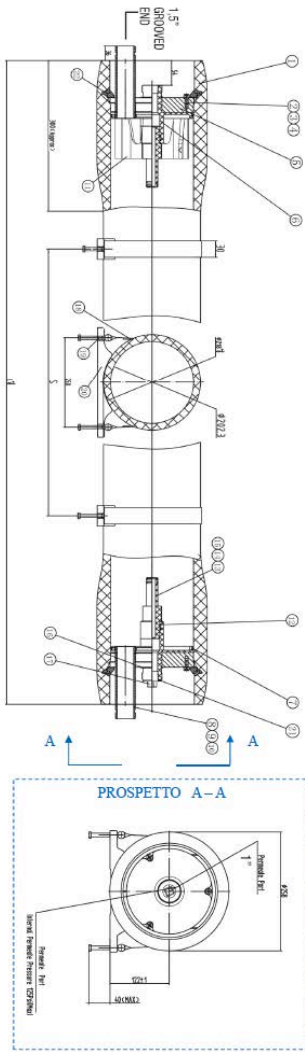


Ref	Description	Fam.	Subfam.	Disp. Stock	
H8R081	8" MPV PLUG IN ABS FOR 300-1200 PSI	35	180	•	
H8R203	8" MPV LOCKING SEGMENT SCREW IN AISI 304	35	180	•	
H8R081	8" MPV PLUG IN ABS FOR 300-1200 PSI	35	180	•	
H8R031	8" MPV SPRING PAD IN AISI 304 FOR LOCKING SEGMENT SCREW	35	180	•	
H8R041	8" MPV LOCKING SEGMENT IN AISI 304 FOR 300-450 PSI	35	180	•	
H8R108	187x7 O-RING (NEW STYLE 2020) IN EPDM FOR ALL MWG 8" MPV	35	180	•	
H8R107	190x5.3 X-RING (OLD STYLE) IN EPDM FOR MWG 8" MPV 300-450 PSI	35	180	•	
H8R109	8" MPV FEED CONCENTRATE PORT SEAL IN EPDM FOR END PORT 300÷1200 PSI	35	180	•	
H8R111	8" MPV PWT SEAL IN EPDM FOR 300÷1200 PSI	35	180	•	
H8R061	8" MPV THRUST CONE IN ABS FOR END PORT 300-450 PSI	35	180	•	
H8R601	8" MPV 1,125" ADAPTER IN ABS FOR 300-450 PSI	35	180	•	
H8R651	8" MPV 1,125" ADAPTER PAD IN ABS	35	180	•	
H8R113	8" MPV 1,125" ADAPTER O-RING IN EPDM FOR 300÷1200 PSI	35	180	•	
H8R701	8" MPV HEAD ASSEMBLY END PORT 300 PSI	35	180	•	
H8R703	8" MPV HEAD ASSEMBLY END PORT 450 PSI	35	180	•	
H8R001	8" MPV SADDLE FOR 300-1200 PSI	35	180	•	
H8R005	8" MPV STRAP FOR 300-450 PSI L=530 MM	35	180	•	

Item	Ref	Material
2	H8R081	ABS
3	H8R203	AISI 304
4	H8R081	EPDM
5	H8R031	AISI 304
6	H8R041	AISI 304
9	H8R108	EPDM
9	H8R107	EPDM
10	H8R109	EPDM
12	H8R111	EPDM
13	H8R061	ABS
14 + 16	H8R601	ABS
15	H8R651	ABS
16	H8R113	EPDM
17	H8R701	
17	H8R703	
Not shown	H8R001	Rubber
Not shown	H8R005	AISI 304 - Rubber



8" Membrane Vessels End Port Series 600 E-8



- Fiberglass reinforced plastic pressure vessels series 600 E-8, white painted, UVA-ray proof material;
- Max operating pressure 600 psi (41 bar);
- European 2014/68/EU Directive compliant for pressure equipment (PED);
- Built in accordance with ASME code section X;
- Each vessel is factory tested at 1,5 times max operating pressure;
- Feed/concentrate connections 1 ½" Victaulic in super duplex steel AISI 2507;
- Permeate connections 1" BSPT F;
- Straps and saddles included (n.2 pcs from 1 to 3 elements, n.3 pcs from 4 to 7 elements);
- 1,125" membrane adapters included.

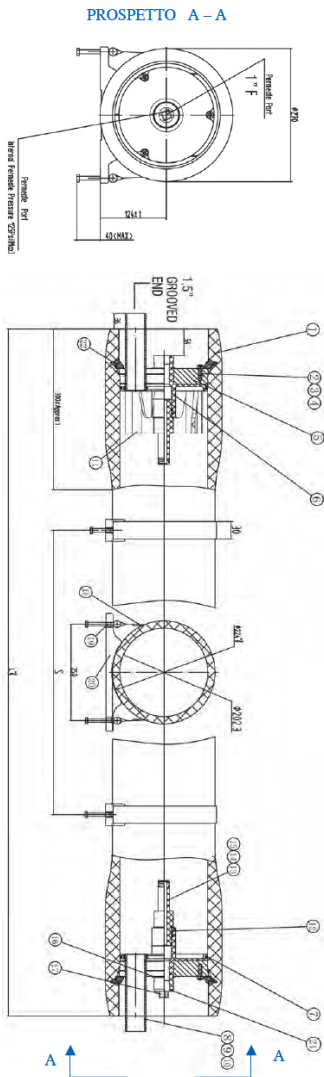
Ref	Description	Fam.	Subfam.	Disp. Stock
H8E5D1	RO VESSEL FRP 8" END-PORT 600 PSI 1EL 1,5" VICT. - 1" BSPT F	35	180	•
H8E5D2	RO VESSEL FRP 8" END-PORT 600 PSI 2EL 1,5" VICT. - 1" BSPT F	35	180	•
H8E5D3	RO VESSEL FRP 8" END-PORT 600 PSI 3EL 1,5" VICT. - 1" BSPT F	35	180	
H8E5D4	RO VESSEL FRP 8" END-PORT 600 PSI 4EL 1,5" VICT. - 1" BSPT F	35	180	
H8E5D5	RO VESSEL FRP 8" END-PORT 600 PSI 5EL 1,5" VICT. - 1" BSPT F	35	180	
H8E5D6	RO VESSEL FRP 8" END-PORT 600 PSI 6EL 1,5" VICT. - 1" BSPT F	35	180	
H8E5D7	RO VESSEL FRP 8" END-PORT 600 PSI 7EL 1,5" VICT. - 1" BSPT F	35	180	

Ref	Elements	L (mm)	S (mm)
H8E5D1	1 x 40"	1514	700
H8E5D2	2 x 40"	2530	1460
H8E5D3	3 x 40"	3546	2080
H8E5D4	4 x 40"	4562	1600 x 2
H8E5D5	5 x 40"	5578	2000 x 2
H8E5D6	6 x 40"	6594	2360 x 2
H8E5D7	7 x 40"	7610	2860 x 2

Certificates	Manufacturer	Sectors
DM174-2004 CE	MWG	Industrial



8" Membrane Vessels End Port Series 1000 E-8



- Fiberglass reinforced plastic pressure vessels series 1000 E-8, white painted, UVA-ray proof material;
- Max operating pressure 1000 psi (69 bar);
- European 2014/68/EU Directive compliant for pressure equipment (PED);
- Built in accordance with ASME code section X;
- Each vessel is factory tested at 1,5 times max operating pressure;
- Feed/concentrate connections 1 ½" Victaulic in super duplex steel AISI 2507;
- Permeate connections 1" BSPT F;
- Straps and saddles included (n.2 pcs from 1 to 3 elements, n.3 pcs from 4 to 7 elements);
- 1,125" membrane adapters included.

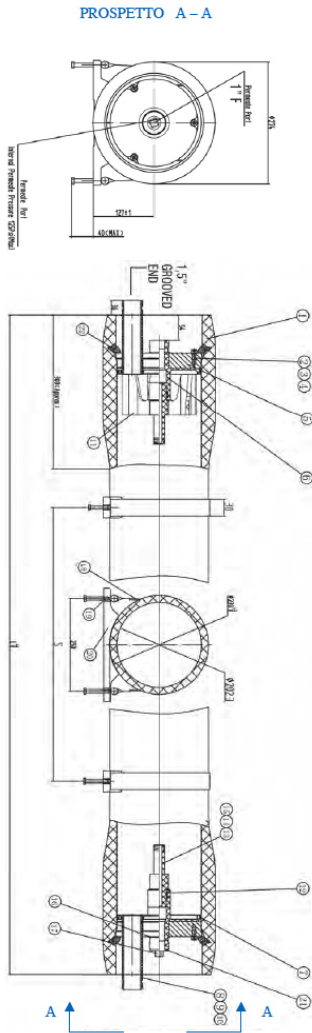
Ref	Description	Fam.	Subfam.	Disp. Stock
H8E5G1	RO VESSEL FRP 8" END-PORT 1000 PSI 1EL 1,5" VICT. - 1" BSPT F	35	180	•
H8E5G2	RO VESSEL FRP 8" END-PORT 1000 PSI 2EL 1,5" VICT. - 1" BSPT F	35	180	•
H8E5G3	RO VESSEL FRP 8" END-PORT 1000 PSI 3EL 1,5" VICT. - 1" BSPT F	35	180	•
H8E5G4	RO VESSEL FRP 8" END-PORT 1000 PSI 4EL 1,5" VICT. - 1" BSPT F	35	180	
H8E5G5	RO VESSEL FRP 8" END-PORT 1000 PSI 5EL 1,5" VICT. - 1" BSPT F	35	180	
H8E5G6	RO VESSEL FRP 8" END-PORT 1000 PSI 6EL 1,5" VICT. - 1" BSPT F	35	180	
H8E5G7	RO VESSEL FRP 8" END-PORT 1000 PSI 7EL 1,5" VICT. - 1" BSPT F	35	180	

Ref	Elements	L (mm)	S (mm)
H8E5G1	1 x 40"	1514	700
H8E5G2	2 x 40"	2530	1460
H8E5G3	3 x 40"	3546	2080
H8E5G4	4 x 40"	4562	1600 x 2
H8E5G5	5 x 40"	5578	2000 x 2
H8E5G6	6 x 40"	6594	2360 x 2
H8E5G7	7 x 40"	7610	2860 x 2

Certificates	Manufacturer	Sectors
DM174-2004 CE	MWG	Industrial



8" Membrane Vessels End Port Series 1200 E-8



- Fiberglass reinforced plastic pressure vessels series 1000 E-8, white painted, UVA-ray proof material;
- Max operating pressure 1200 psi (83 bar);
- European 2014/68/EU Directive compliant for pressure equipment (PED);
- Built in accordance with ASME code section X;
- Each vessel is factory tested at 1,5 times max operating pressure;
- Feed/concentrate connections 1 ½" Victaulic in super duplex steel AISI 2507;
- Permeate connections 1" BSPT F;
- Straps and saddles included (n.2 pcs from 1 to 3 elements, n.3 pcs from 4 to 7 elements);
- 1,125" membrane adapters included.

Ref	Description	Fam.	Subfam.	Disp. Stock	
H8E5H1	RO VESSEL FRP 8" END-PORT 1200 PSI 1EL 1,5" VICT. - 1" BSPT F	35	180	•	
H8E5H2	RO VESSEL FRP 8" END-PORT 1200 PSI 2EL 1,5" VICT. - 1" BSPT F	35	180	•	
H8E5H3	RO VESSEL FRP 8" END-PORT 1200 PSI 3EL 1,5" VICT. - 1" BSPT F	35	180	•	
H8E5H4	RO VESSEL FRP 8" END-PORT 1200 PSI 4EL 1,5" VICT. - 1" BSPT F	35	180		
H8E5H5	RO VESSEL FRP 8" END-PORT 1200 PSI 5EL 1,5" VICT. - 1" BSPT F	35	180		
H8E5H6	RO VESSEL FRP 8" END-PORT 1200 PSI 6EL 1,5" VICT. - 1" BSPT F	35	180		
H8E5H7	RO VESSEL FRP 8" END-PORT 1200 PSI 7EL 1,5" VICT. - 1" BSPT F	35	180		

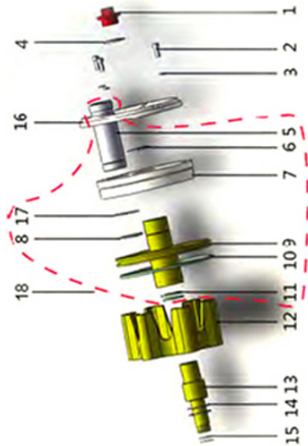
Ref	Elements	L (mm)	S (mm)
H8E5H1	1 x 40"	1514	700
H8E5H2	2 x 40"	2530	1460
H8E5H3	3 x 40"	3546	2080
H8E5H4	4 x 40"	4562	1600 x 2
H8E5H5	5 x 40"	5578	2000 x 2
H8E5H6	6 x 40"	6594	2360 x 2
H8E5H7	7 x 40"	7610	2860 x 2

Certificates	Manufacturer	Sectors
DM174-2004 CE	MWG	Industrial



8" End Port 600-1000-1200 Psi Vessels Spare Parts

Spare Parts



Ref	Description	Fam.	Subfam.	Disp. Stock	
H8R081	8" MPV PLUG IN ABS FOR 300-1200 PSI	35	180	•	
H8R203	8" MPV LOCKING SEGMENT SCREW IN AISI 304	35	180	•	
H8R031	8" MPV SPRING PAD IN AISI 304 FOR LOCKING SEGMENT SCREW	35	180	•	
H8R111	8" MPV PWT SEAL IN EPDM FOR 300÷1200 PSI	35	180	•	
H8R109	8" MPV FEED CONCENTRATE PORT SEAL IN EPDM FOR END PORT 300÷1200 PSI	35	180	•	
H8R108	187x7 O-RING (NEW STYLE 2020) IN EPDM FOR ALL MWG 8" MPV	35	180	•	
FBEFR11	190x5.3 O-RING IN EPDM FOR MWG EUROFLOW	40	114	•	
H8R111	8" MPV PWT SEAL IN EPDM FOR 300÷1200 PSI	35	180	•	
H8R063	8" MPV THRUST CONE IN ABS FOR END PORT 600-1000-1200 PSI	35	180	•	
H8R603	8" MPV 1,125" ADAPTER IN ABS FOR 600-1200 PSI	35	180	•	
H8R613	8" MPV 1,5" ADAPTER IN ABS FOR 600-1200 PSI	35	180	•	
H8R651	8" MPV 1,125" ADAPTER PAD IN ABS	35	180	•	
H8R653	8" MPV 1,5" ADAPTER PAD IN ABS FOR 300-1200 PSI	35	180	•	
H8R113	8" MPV 1,125" ADAPTER O-RING IN EPDM FOR 300÷1200 PSI	35	180	•	
H8R115	8" MPV 1,5" ADAPTER O-RING IN EPDM FOR 300-1200 PSI	35	180	•	
H8R045	8" MPV LOCKING KIT (N.3 SEGMENTS) IN AISI 304 FOR 600-1000-1200 PSI	35	180	•	
H8R705	8" MPV HEAD ASSEMBLY END PORT 600 PSI	35	180	•	
H8R707	8" MPV HEAD ASSEMBLY END PORT 1000 PSI	35	180	•	
H8R709	8" MPV HEAD ASSEMBLY END PORT 1200 PSI	35	180	•	
H8R001	8" MPV SADDLE FOR 300-1200 PSI	35	180	•	
H8R009	8" MPV STRAP FOR 600-1200 PSI L=580 MM	35	180	•	

Item	Ref.	Material
1	H8R081	ABS
2	H8R203	AISI 304
3	H8R031	AISI 304
4	H8R111	EPDM
8	H8R109	EPDM
10	H8R108	EPDM
10	FBEFR11	EPDM
11	H8R111	EPDM
12	H8R063	ABS
13 + 15	H8R603	ABS
13 + 15	H8R613	ABS
14	H8R651	ABS
14	H8R653	ABS
15	H8R113	EPDM
15	H8R115	EPDM
16	H8R045	AISI 304
18	H8R705	
18	H8R707	
18	H8R709	
Not shown	H8R001	Rubber
Not shown	H8R009	AISI 304 - Rubber



8" Side Port Vessels Feed/Concentrate Port Options

Each vessel 8" side port can have maximum 3 ports per each end, located in 4 different positions 90° among them. The drawing shows the numbers of different positions.

Each port can have three different dimensions:

D = 1 1/2" (standard connection)

E = 2"

F = 2 1/2"

G = 3"

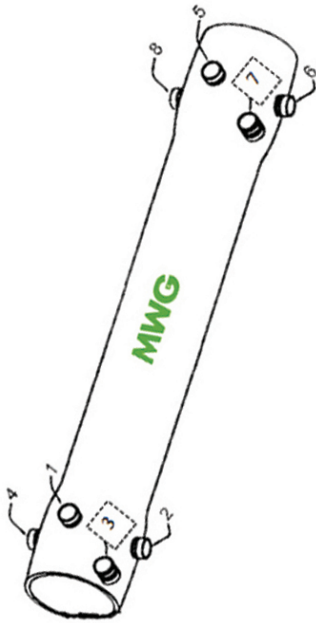
H = 4"

Note: a 2 1/2" port is not allowed at 90° from any other.

To determine the required configuration, identify the ports starting from N°1 with relevant dimension, complete this side and identify the opposite end.

Example: vessel with ports 1 & 5 connection 1 1/2", ports 2 & 6 connection 2".

The configuration is: 1D 5D 2E 6E



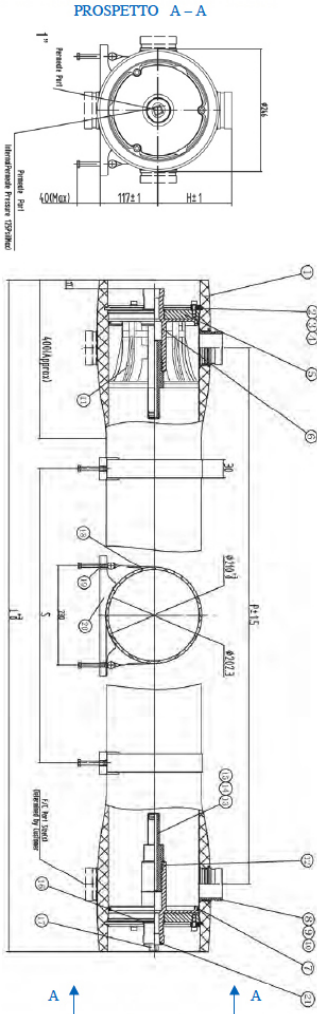
Options for MWG 8" side port vessels

Vessel 8"	Vessel 8"	Add one extra port	Add one extra port	Add one extra port	Add one extra port
		1,5"	2"	2,5"	3"
Pressure (psi)	Material				
300	AISI 316				
450	AISI 316				
600	Super Duplex 2507				
1000	Super Duplex 2507				
1200	Super Duplex 2507				

Vessel 8"	Vessel 8"	UP GRADE port	from	UP GRADE port	from	UP GRADE port	from	UP GRADE port	from
		1,5"		2"		2,5"		3"	
Pressure (psi)	Material								
300	AISI 316								
450	AISI 316								
600	Super Duplex 2507								
1000	Super Duplex 2507								
1200	Super Duplex 2507								



8" Membrane Vessels Side Port Series 300 S-8



- Fiberglass reinforced plastic pressure vessels series 300 S-8, white painted, UVA-ray proof material;
- Max operating pressure 300 psi (21 bar);
- European 2014/68/EU Directive compliant for pressure equipment (PED);
- Built in accordance with ASME code section X;
- Each vessel is factory tested at 1,5 times max operating pressure;
- Feed/concentrate connections 1 1/2" or 2" Victaulic (optional 2 1/2" or 3");
- Permeate connections 1" BSPT F;
- Straps and saddles included (n.2 pcs from 1 to 3 elements, n.3 pcs from 4 to 7 elements);
- 1,125" membrane adapters included;
- version from 2 to 7 ports (see list of options).

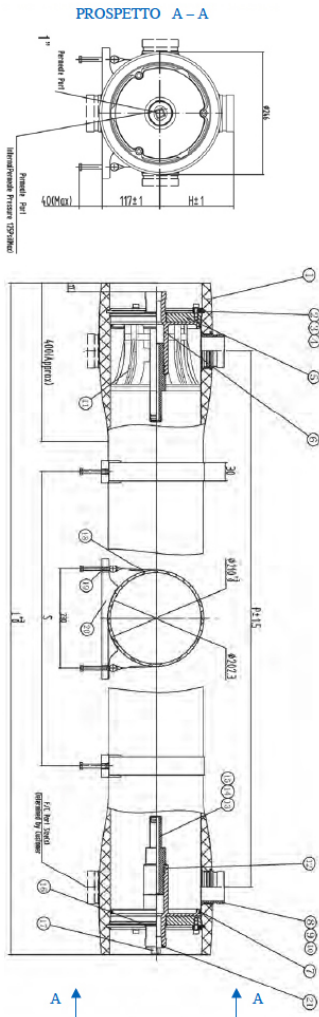
Ref. Connections 1,5"	Description	Fam.	Subfam.	Disp. Stock	
H815B1	RO VESSEL FRP 8" SIDE-PORT 300 PSI 1EL 1D5D - 1" BSPT F	35	180		
H817B1	RO VESSEL FRP 8" SIDE-PORT 300 PSI 1EL 1D7D - 1" BSPT F	35	180		
H815B2	RO VESSEL FRP 8" SIDE-PORT 300 PSI 2EL 1D5D - 1" BSPT F	35	180		
H817B2	RO VESSEL FRP 8" SIDE-PORT 300 PSI 2EL 1D7D - 1" BSPT F	35	180		
H815B3	RO VESSEL FRP 8" SIDE-PORT 300 PSI 3EL 1D5D - 1" BSPT F	35	180		
H817B3	RO VESSEL FRP 8" SIDE-PORT 300 PSI 3EL 1D7D - 1" BSPT F	35	180		
H815B4	RO VESSEL FRP 8" SIDE-PORT 300 PSI 4EL 1D5D - 1" BSPT F	35	180		
H817B4	RO VESSEL FRP 8" SIDE-PORT 300 PSI 4EL 1D7D - 1" BSPT F	35	180		
H815B5	RO VESSEL FRP 8" SIDE-PORT 300 PSI 5EL 1D5D - 1" BSPT F	35	180		
H817B5	RO VESSEL FRP 8" SIDE-PORT 300 PSI 5EL 1D7D - 1" BSPT F	35	180		
H815B6	RO VESSEL FRP 8" SIDE-PORT 300 PSI 6EL 1D5D - 1" BSPT F	35	180		
H817B6	RO VESSEL FRP 8" SIDE-PORT 300 PSI 6EL 1D7D - 1" BSPT F	35	180		
H815B7	RO VESSEL FRP 8" SIDE-PORT 300 PSI 7EL 1D5D - 1" BSPT F	35	180		
H817B7	RO VESSEL FRP 8" SIDE-PORT 300 PSI 7EL 1D7D - 1" BSPT F	35	180		

Ref. Connections 1,5"	Elements	L (mm)	P (mm)	S (mm)	Orient. 0°-180°
H815B1	1 x 40"	1494	1194	700	0°
H817B1	1 x 40"	1494	1194	700	180°
H815B2	2 x 40"	2510	2210	1460	0°
H817B2	2 x 40"	2510	2210	1460	180°
H815B3	3 x 40"	3526	3226	2080	0°
H817B3	3 x 40"	3526	3226	2080	180°
H815B4	4 x 40"	4542	4242	1600 x 2	0°
H817B4	4 x 40"	4542	4242	1600 x 2	180°
H815B5	5 x 40"	5558	5258	2000 x 2	0°
H817B5	5 x 40"	5558	5258	2000 x 2	180°
H815B6	6 x 40"	6574	6274	2360 x 2	0°
H817B6	6 x 40"	6574	6274	2360 x 2	180°
H815B7	7 x 40"	7590	7290	2860 x 2	0°
H817B7	7 x 40"	7590	7290	2860 x 2	180°

Certificates	Manufacturer	Sectors
DM174-2004 CE	MWG	Industrial



8" Membrane Vessels Side Port Series 300 S-8



Ref	Connections 2"	Description	Fam.	Subfam.	Disp. Stock
H820B1	1	RO VESSEL FRP 8" SIDE-PORT 300 PSI 1EL 1E5E - 1" BSPT F	35	180	
H822B1	1	RO VESSEL FRP 8" SIDE-PORT 300 PSI 1EL 1E7E-1" BSPT F	35	180	
H820B2	2	RO VESSEL FRP 8" SIDE-PORT 300 PSI 2EL 1E5E - 1" BSPT F	35	180	
H822B2	2	RO VESSEL FRP 8" SIDE-PORT 300 PSI 2EL 1E7E-1" BSPT F	35	180	
H820B3	3	RO VESSEL FRP 8" SIDE-PORT 300 PSI 3EL 1E5E - 1" BSPT F	35	180	
H822B3	3	RO VESSEL FRP 8" SIDE-PORT 300 PSI 3EL 1E7E-1" BSPT F	35	180	
H820B4	4	RO VESSEL FRP 8" SIDE-PORT 300 PSI 4EL 1E5E-1" BSPT F	35	180	
H822B4	4	RO VESSEL FRP 8" SIDE-PORT 300 PSI 4EL 1E7E-1" BSPT F	35	180	
H820B5	5	RO VESSEL FRP 8" SIDE-PORT 300 PSI 5EL 1E5E-1" BSPT F	35	180	
H822B5	5	RO VESSEL FRP 8" SIDE-PORT 300 PSI 5EL 1E7E - 1" BSPT F	35	180	
H820B6	6	RO VESSEL FRP 8" SIDE-PORT 300 PSI 6EL 1E5E-1" BSPT F	35	180	
H822B6	6	RO VESSEL FRP 8" SIDE-PORT 300 PSI 6EL 1E7E - 1" BSPT F	35	180	

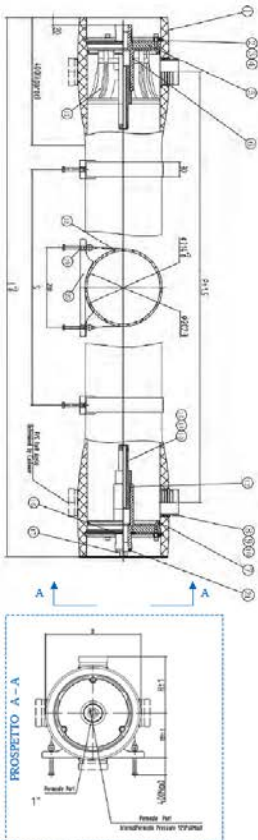
Ref	Connections 2"	Elements	L (mm)	P (mm)	S (mm)	Orient. 0°-180°
H820B1	1	1 x 40"	1494	1194	700	0°
H822B1	1	1 x 40"	1494	1194	700	180°
H820B2	2	2 x 40"	2510	2210	1460	0°
H822B2	2	2 x 40"	2510	2210	1460	180°
H820B3	3	3 x 40"	3526	3226	2080	0°
H822B3	3	3 x 40"	3526	3226	2080	180°
H820B4	4	4 x 40"	4542	4242	1600 x 2	0°
H822B4	4	4 x 40"	4542	4242	1600 x 2	180°
H820B5	5	5 x 40"	5558	5258	2000 x 2	0°
H822B5	5	5 x 40"	5558	5258	2000 x 2	180°
H820B6	6	6 x 40"	6574	6274	2360 x 2	0°
H822B6	6	6 x 40"	6574	6274	2360 x 2	180°

Certificates	Manufacturer	Sectors
DM174-2004 CE	MWG	Industrial



8" Membrane Vessels Side Port Series 450 S-8

- Fiberglass reinforced plastic pressure vessels series 450 S-8, white painted, UVA-ray proof material;
- Max operating pressure 450 psi (31 bar);
- European 2014/68/EU Directive compliant for pressure equipment (PED);
- Built in accordance with ASME code section X;
- Each vessel is factory tested at 1,5 times max operating pressure;
- Feed/concentrate connections 1 ½" Victaulic (optional 2", 2 ½" or 3");
- Permeate connections 1" BSPT F;
- Straps and saddles included (n.2 pcs from 1 to 3 elements, n.3 pcs from 4 to 7 elements);
- 1,125" membrane adapters included;
- Version from 2 to 7 ports (see list of options).



Ref	Description	Fam.	Subfam.	Disp. Stock	
H815C1	RO VESSEL FRP 8" SIDE-PORT 450 PSI 1EL 1D5D - 1" BSPT F	35	180		
H817C1	RO VESSEL FRP 8" SIDE-PORT 450 PSI 1EL 1D7D - 1" BSPT F	35	180		
H815C2	RO VESSEL FRP 8" SIDE-PORT 450 PSI 2EL 1D5D - 1" BSPT F	35	180		
H817C2	RO VESSEL FRP 8" SIDE-PORT 450 PSI 2EL 1D7D - 1" BSPT F	35	180		
H815C3	RO VESSEL FRP 8" SIDE-PORT 450 PSI 3EL 1D5D - 1" BSPT F	35	180		
H817C3	RO VESSEL FRP 8" SIDE-PORT 450 PSI 3EL 1D7D - 1" BSPT F	35	180		
H815C4	RO VESSEL FRP 8" SIDE-PORT 450 PSI 4EL 1D5D - 1" BSPT F	35	180		
H817C4	RO VESSEL FRP 8" SIDE-PORT 450 PSI 4EL 1D7D - 1" BSPT F	35	180		
H815C5	RO VESSEL FRP 8" SIDE-PORT 450 PSI 5EL 1D5D - 1" BSPT F	35	180		
H817C5	RO VESSEL FRP 8" SIDE-PORT 450 PSI 5EL 1D7D - 1" BSPT F	35	180		
H815C6	RO VESSEL FRP 8" SIDE-PORT 450 PSI 6EL 1D5D - 1" BSPT F	35	180		
H817C6	RO VESSEL FRP 8" SIDE-PORT 450 PSI 6EL 1D7D - 1" BSPT F	35	180		
H815C7	RO VESSEL FRP 8" SIDE-PORT 450 PSI 7EL 1D5D - 1" BSPT F	35	180		
H817C7	RO VESSEL FRP 8" SIDE-PORT 450 PSI 7EL 1D7D - 1" BSPT F	35	180		

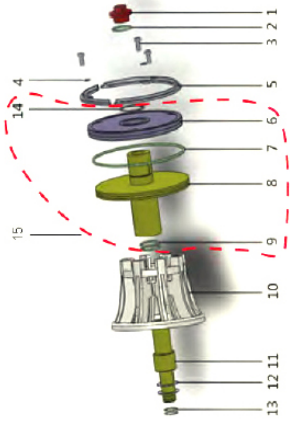
Ref	Elements	L (mm)	P (mm)	S (mm)	Orient. 0°-180°
H815C1	1 x 40"	1494	1194	700	0°
H817C1	1 x 40"	1494	1194	700	180°
H815C2	2 x 40"	2510	2210	1460	0°
H817C2	2 x 40"	2510	2210	1460	180°
H815C3	3 x 40"	3530	3226	2080	0°
H817C3	3 x 40"	3530	3226	2080	180°
H815C4	4 x 40"	4546	4242	1600 x 2	0°
H817C4	4 x 40"	4546	4242	1600 x 2	180°
H815C5	5 x 40"	5562	5258	2000 x 2	0°
H817C5	5 x 40"	5562	5258	2000 x 2	180°
H815C6	6 x 40"	6578	6274	2360 x 2	0°
H817C6	6 x 40"	6578	6274	2360 x 2	180°
H815C7	7 x 40"	7594	7290	2860 x 2	0°
H817C7	7 x 40"	7594	7290	2860 x 2	180°

Certificates	Manufacturer	Sectors
DM174-2004, CE	MWG	Industrial



8" Side Port 300-450 Psi Vessels spare parts

Spare parts

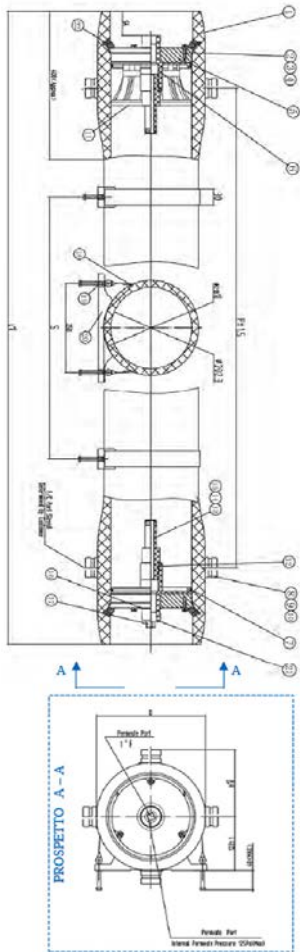


Ref	Description	Fam.	Subfam.	Disp. Stock	
H8R081	8" MPV PLUG IN ABS FOR 300-1200 PSI	35	180	•	
H8R111	8" MPV PWT SEAL IN EPDM FOR 300÷1200 PSI	35	180	•	
H8R203	8" MPV LOCKING SEGMENT SCREW IN AISI 304	35	180	•	
H8R031	8" MPV SPRING PAD IN AISI 304 FOR LOCKING SEGMENT SCREW	35	180	•	
H8R041	8" MPV LOCKING SEGMENT IN AISI 304 FOR 300-450 PSI	35	180	•	
H8R108	187x7 O-RING (NEW STYLE 2020) IN EPDM FOR ALL MWG 8" MPV	35	180	•	
H8R107	190x5.3 X-RING (OLD STYLE) IN EPDM FOR MWG 8" MPV 300-450 PSI	35	180	•	
H8R111	8" MPV PWT SEAL IN EPDM FOR 300÷1200 PSI	35	180	•	
H8R071	8" MPV THRUST CONE IN ABS FOR SIDE PORT 300-450 PSI	35	180	•	
H8R601	8" MPV 1,125" ADAPTER IN ABS FOR 300-450 PSI	35	180	•	
H8R611	8" MPV 1,5" ADAPTER IN ABS FOR 300-450 PSI	35	180	•	
H8R651	8" MPV 1,125" ADAPTER PAD IN ABS	35	180	•	
H8R653	8" MPV 1,5" ADAPTER PAD IN ABS FOR 300-1200 PSI	35	180	•	
H8R113	8" MPV 1,125" ADAPTER O-RING IN EPDM FOR 300÷1200 PSI	35	180	•	
H8R115	8" MPV 1,5" ADAPTER O-RING IN EPDM FOR 300-1200 PSI	35	180	•	
H8R711	8" MPV HEAD ASSEMBLY SIDE PORT 300 PSI	35	180	•	
H8R713	8" MPV HEAD ASSEMBLY SIDE PORT 450 PSI	35	180	•	
H8R001	8" MPV SADDLE FOR 300-1200 PSI	35	180	•	
H8R005	8" MPV STRAP FOR 300-450 PSI L=530 MM	35	180	•	

Item	Ref	Material
1	H8R081	ABS
2	H8R111	EPDM
3	H8R203	AISI 304
4	H8R031	AISI 304
5	H8R041	AISI 304
7	H8R108	EPDM
7	H8R107	EPDM
9	H8R111	EPDM
10	H8R071	ABS
11 + 13	H8R601	ABS
11 + 13	H8R611	ABS
12	H8R651	ABS
12	H8R653	ABS
13	H8R113	EPDM
13	H8R115	EPDM
15	H8R711	
15	H8R713	
Non Visual	H8R001	Rubber
Non Visual	H8R005	AISI 304 - Rubber



8" Membrane Vessels Side Port Series 600 S-8



- Fiberglass reinforced plastic pressure vessels series 600 S-8, white painted, UVA-ray proof material;
- Max operating pressure 600 psi (41 bar);
- European 2014/68/EU Directive compliant for pressure equipment (PED);
- Built in accordance with ASME code section X;
- Each vessel is factory tested at 1,5 times max operating pressure;
- Feed/concentrate connections 1 ½" Victaulic (optional 2", 2 ½" or 3") in super duplex steel AISI 2507;
- Permeate connections 1" BSPT F;
- Straps and saddles included (n.2 pcs from 1 to 3 elements, n.3 pcs from 4 to 7 elements);
- 1,125" membrane adapters included;
- Version from 2 to 7 ports (see list of options).

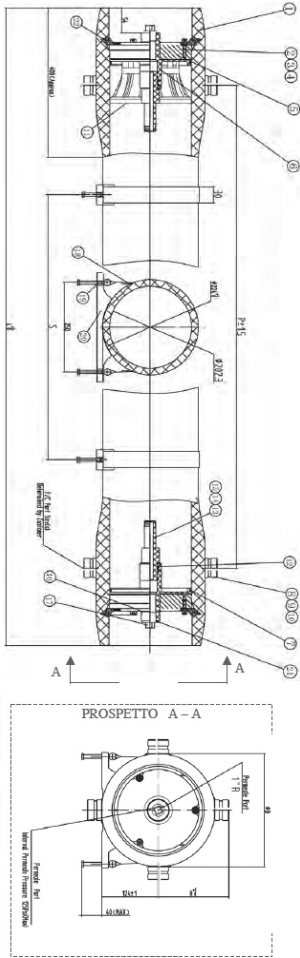
Ref	Description	Fam.	Subfam.	Disp. Stock	
H815D1	RO VESSEL FRP 8" SIDE-PORT 600 PSI 1EL 1D5D - 1" BSPT F	35	180		
H817D1	RO VESSEL FRP 8" SIDE-PORT 600 PSI 1EL 1D7D - 1" BSPT F	35	180		
H815D2	RO VESSEL FRP 8" SIDE-PORT 600 PSI 2EL 1D5D - 1" BSPT F	35	180		
H817D2	RO VESSEL FRP 8" SIDE-PORT 600 PSI 2EL 1D7D - 1" BSPT F	35	180		
H815D3	RO VESSEL FRP 8" SIDE-PORT 600 PSI 3EL 1D5D - 1" BSPT F	35	180		
H817D3	RO VESSEL FRP 8" SIDE-PORT 600 PSI 3EL 1D7D - 1" BSPT F	35	180		
H815D4	RO VESSEL FRP 8" SIDE-PORT 600 PSI 4EL 1D5D - 1" BSPT F	35	180		
H817D4	RO VESSEL FRP 8" SIDE-PORT 600 PSI 4EL 1D7D - 1" BSPT F	35	180		
H815D5	RO VESSEL FRP 8" SIDE-PORT 600 PSI 5EL 1D5D - 1" BSPT F	35	180		
H817D5	RO VESSEL FRP 8" SIDE-PORT 600 PSI 5EL 1D7D - 1" BSPT F	35	180		
H815D6	RO VESSEL FRP 8" SIDE-PORT 600 PSI 6EL 1D5D - 1" BSPT F	35	180		
H817D6	RO VESSEL FRP 8" SIDE-PORT 600 PSI 6EL 1D7D - 1" BSPT F	35	180		
H815D7	RO VESSEL FRP 8" SIDE-PORT 600 PSI 7EL 1D5D - 1" BSPT F	35	180		
H817D7	RO VESSEL FRP 8" SIDE-PORT 600 PSI 7EL 1D7D - 1" BSPT F	35	180		

Ref	Elements	L (mm)	P (mm)	S (mm)	Orient. 0°-180°
H815D1	1 x 40"	1514	1143	700	0°
H817D1	1 x 40"	1514	1143	700	180°
H815D2	2 x 40"	2530	2159	1460	0°
H817D2	2 x 40"	2530	2159	1460	180°
H815D3	3 x 40"	3546	3175	2080	0°
H817D3	3 x 40"	3546	3175	2080	180°
H815D4	4 x 40"	4562	4191	1600 x 2	0°
H817D4	4 x 40"	4562	4191	1600 x 2	180°
H815D5	5 x 40"	5578	5207	2000 x 2	0°
H817D5	5 x 40"	5578	5207	2000 x 2	180°
H815D6	6 x 40"	6594	6223	2360 x 2	0°
H817D6	6 x 40"	6594	6223	2360 x 2	180°
H815D7	7 x 40"	7610	7239	2860 x 2	0°
H817D7	7 x 40"	7610	7239	2860 x 2	180°

Certificates	Manufacturer	Sectors
DM174-2004 CE	MWG	Industrial



8" Membrane Vessels Side Port Series 1000 S-8



- Fiberglass reinforced plastic pressure vessels series 600 S-8, white painted, UVA-ray proof material;
- Max operating pressure 600 psi (41 bar);
- European 2014/68/EU Directive compliant for pressure equipment (PED);
- Built in accordance with ASME code section X;
- Each vessel is factory tested at 1,5 times max operating pressure;
- Feed/concentrate connections 1 ½" Victaulic (optional 2", 2 ½" or 3") in super duplex steel AISI 2507;
- Permeate connections 1" BSPT F;
- Straps and saddles included (n.2 pcs from 1 to 3 elements, n.3 pcs from 4 to 7 elements);
- 1,125" membrane adapters included;
- Version from 2 to 7 ports (see list of options).

Ref	Description	Fam.	Subfam.	Disp. Stock	
H815G1	RO VESSEL FRP 8" SIDE-PORT 1000 PSI 1EL 1D5D - 1" BSPT F	35	180		
H817G1	RO VESSEL FRP 8" SIDE-PORT 1000 PSI 1EL 1D7D - 1" BSPT F	35	180		
H815G2	RO VESSEL FRP 8" SIDE-PORT 1000 PSI 2EL 1D5D - 1" BSPT F	35	180		
H817G2	RO VESSEL FRP 8" SIDE-PORT 1000 PSI 2EL 1D7D - 1" BSPT F	35	180		
H815G3	RO VESSEL FRP 8" SIDE-PORT 1000 PSI 3EL 1D5D - 1" BSPT F	35	180		
H817G3	RO VESSEL FRP 8" SIDE-PORT 1000 PSI 3EL 1D7D - 1" BSPT F	35	180		
H815G4	RO VESSEL FRP 8" SIDE-PORT 1000 PSI 4EL 1D5D - 1" BSPT F	35	180		
H817G4	RO VESSEL FRP 8" SIDE-PORT 1000 PSI 4EL 1D7D - 1" BSPT F	35	180		
H815G5	RO VESSEL FRP 8" SIDE-PORT 1000 PSI 5EL 1D5D - 1" BSPT F	35	180		
H817G5	RO VESSEL FRP 8" SIDE-PORT 1000 PSI 5EL 1D7D - 1" BSPT F	35	180		
H815G6	RO VESSEL FRP 8" SIDE-PORT 1000 PSI 6EL 1D5D - 1" BSPT F	35	180		
H817G6	RO VESSEL FRP 8" SIDE-PORT 1000 PSI 6EL 1D7D - 1" BSPT F	35	180		
H815G7	RO VESSEL FRP 8" SIDE-PORT 1000 PSI 7EL 1D5D - 1" BSPT F	35	180		
H817G7	RO VESSEL FRP 8" SIDE-PORT 1000 PSI 7EL 1D7D - 1" BSPT F	35	180		

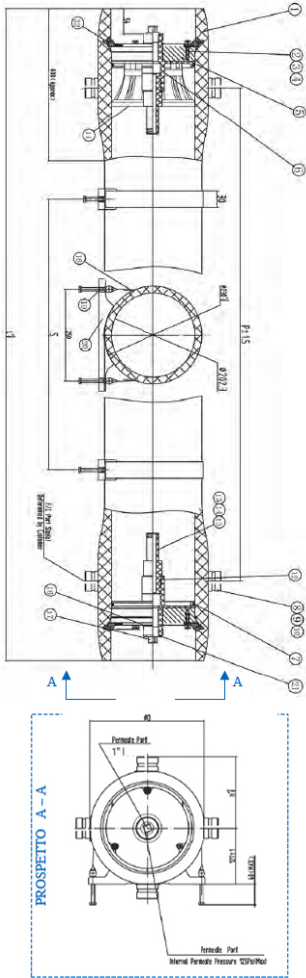
Ref	Elements	L (mm)	P (mm)	S (mm)	Orient. 0° - 180°
H815G1	1 x 40"	1514	1143	700	0°
H817G1	1 x 40"	1514	1143	700	180°
H815G2	2 x 40"	2530	2159	1460	0°
H817G2	2 x 40"	2530	2159	1460	180°
H815G3	3 x 40"	3546	3175	2080	0°
H817G3	3 x 40"	3546	3175	2080	180°
H815G4	4 x 40"	4562	4191	1600 x 2	0°
H817G4	4 x 40"	4562	4191	1600 x 2	180°
H815G5	5 x 40"	5578	5207	2000 x 2	0°
H817G5	5 x 40"	5578	5207	2000 x 2	180°
H815G6	6 x 40"	6594	6223	2360 x 2	0°
H817G6	6 x 40"	6594	6223	2360 x 2	180°
H815G7	7 x 40"	7610	7239	2860 x 2	0°
H817G7	7 x 40"	7610	7239	2860 x 2	180°

Certificates	Manufacturer	Sectors
DM174-2004, CE	MWG	Industrial



8" Membrane Vessels Side Port Series 1200 S-8

- Fiberglass reinforced plastic pressure vessels series 1200 S-8, white painted, UVA-ray proof material;
- Max operating pressure 1200 psi (83 bar);
- European 2014/68/EU Directive compliant for pressure equipment (PED);
- Built in accordance with ASME code section X;
- Each vessel is factory tested at 1,5 times max operating pressure;
- Feed/concentrate connections 1 ½" Victaulic (optional 2", 2 ½" or 3") in super duplex steel AISI 2507;
- Permeate connections 1" BSPT F;
- Straps and saddles included (n.2 pcs from 1 to 3 elements, n.3 pcs from 4 to 7 elements);
- 1,125" membrane adapters included;
- Version from 2 to 7 ports (see list of options).



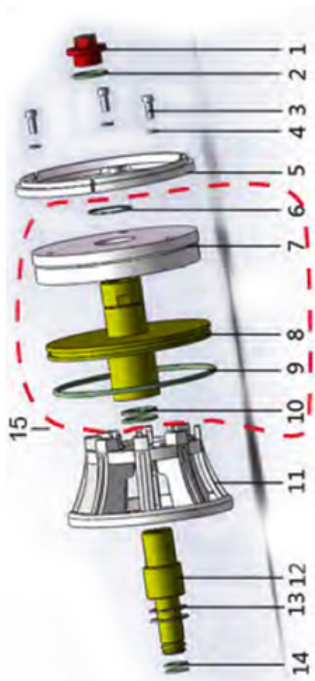
Ref	Description	Fam.	Subfam.	Disp. Stock	
H815H1	RO VESSEL FRP 8" SIDE-PORT 1200 PSI 1EL 1D5D - 1" BSPT F	35	180		
H817H1	RO VESSEL FRP 8" SIDE-PORT 1200 PSI 1EL 1D7D - 1" BSPT F	35	180		
H815H2	RO VESSEL FRP 8" SIDE-PORT 1200 PSI 2EL 1D5D - 1" BSPT F	35	180		
H817H2	RO VESSEL FRP 8" SIDE-PORT 1200 PSI 2EL 1D7D - 1" BSPT F	35	180		
H815H3	RO VESSEL FRP 8" SIDE-PORT 1200 PSI 3EL 1D5D - 1" BSPT F	35	180		
H817H3	RO VESSEL FRP 8" SIDE-PORT 1200 PSI 3EL 1D7D - 1" BSPT F	35	180		
H815H4	RO VESSEL FRP 8" SIDE-PORT 1200 PSI 4EL 1D5D - 1" BSPT F	35	180		
H817H4	RO VESSEL FRP 8" SIDE-PORT 1200 PSI 4EL 1D7D - 1" BSPT F	35	180		
H815H5	RO VESSEL FRP 8" SIDE-PORT 1200 PSI 5EL 1D5D - 1" BSPT F	35	180		
H817H5	RO VESSEL FRP 8" SIDE-PORT 1200 PSI 5EL 1D7D - 1" BSPT F	35	180		
H815H6	RO VESSEL FRP 8" SIDE-PORT 1200 PSI 6EL 1D5D - 1" BSPT F	35	180		
H817H6	RO VESSEL FRP 8" SIDE-PORT 1200 PSI 6EL 1D7D - 1" BSPT F	35	180		
H815H7	RO VESSEL FRP 8" SIDE-PORT 1200 PSI 7EL 1D5D - 1" BSPT F	35	180		
H817H7	RO VESSEL FRP 8" SIDE-PORT 1200 PSI 7EL 1D7D - 1" BSPT F	35	180		

Ref	Elemets	L (mm)	P (mm)	S (mm)	Orient. 0°-180°
H815H1	1 x 40"	1514	1143	700	0°
H817H1	1 x 40"	1514	1143	700	180°
H815H2	2 x 40"	2530	2159	1460	0°
H817H2	2 x 40"	2530	2159	1460	180°
H815H3	3 x 40"	3546	3175	2080	0°
H817H3	3 x 40"	3546	3175	2080	180°
H815H4	4 x 40"	4562	4191	1600 x 2	0°
H817H4	4 x 40"	4562	4191	1600 x 2	180°
H815H5	5 x 40"	5578	5207	2000 x 2	0°
H817H5	5 x 40"	5578	5207	2000 x 2	180°
H815H6	6 x 40"	6594	6223	2360 x 2	0°
H817H6	6 x 40"	6594	6223	2360 x 2	180°
H815H7	7 x 40"	7610	7239	2860 x 2	0°
H817H7	7 x 40"	7610	7239	2860 x 2	180°

Certificates	Manufacturer	Sectors
DM174-2004, CE	MWG	Industrial



8" Side Port 600-1000-1200 Psi Vessels Spare Parts



Ref	Description	Fam.	Subfam.	Disp. Stock	
H8R081	8" MPV PLUG IN ABS FOR 300-1200 PSI	35	180	•	
H8R111	8" MPV PWT SEAL IN EPDM FOR 300÷1200 PSI	35	180	•	
H8R203	8" MPV LOCKING SEGMENT SCREW IN AISI 304	35	180	•	
H8R031	8" MPV SPRING PAD IN AISI 304 FOR LOCKING SEGMENT SCREW	35	180	•	
H8R045	8" MPV LOCKING KIT (N.3 SEGMENTS) IN AISI 304 FOR 600-1000-1200 PSI	35	180	•	
H8R108	187x7 O-RING (NEW STYLE 2020) IN EPDM FOR ALL MWG 8" MPV	35	180	•	
FBEFR11	190x5.3 O-RING IN EPDM FOR MWG EUROFLOW	40	114	•	
H8R111	8" MPV PWT SEAL IN EPDM FOR 300÷1200 PSI	35	180	•	
H8R073	8" MPV THRUST CONE IN ABS FOR SIDE PORT 600-1000-1200 PSI	35	180	•	
H8R603	8" MPV 1,125" ADAPTER IN ABS FOR 600-1200 PSI	35	180	•	
H8R613	8" MPV 1,5" ADAPTER IN ABS FOR 600-1200 PSI	35	180	•	
H8R651	8" MPV 1,125" ADAPTER PAD IN ABS	35	180	•	
H8R653	8" MPV 1,5" ADAPTER PAD IN ABS FOR 300-1200 PSI	35	180	•	
H8R113	8" MPV 1,125" ADAPTER O-RING IN EPDM FOR 300÷1200 PSI	35	180	•	
H8R115	8" MPV 1,5" ADAPTER O-RING IN EPDM FOR 300-1200 PSI	35	180	•	
H8R715	8" MPV HEAD ASSEMBLY SIDE PORT 600 PSI	35	180	•	
H8R717	8" MPV HEAD ASSEMBLY SIDE PORT 1000 PSI	35	180	•	
H8R719	8" MPV HEAD ASSEMBLY SIDE PORT 1200 PSI	35	180	•	
H8R001	8" MPV SADDLE FOR 300-1200 PSI	35	180	•	
H8R009	8" MPV STRAP FOR 600-1200 PSI L=580 MM	35	180	•	

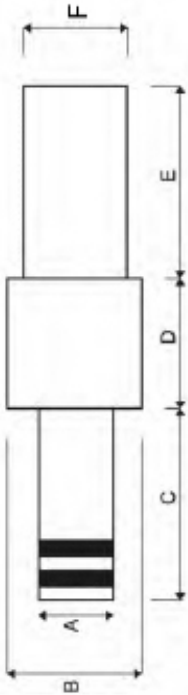
Item	Ref	Material
1	H8R081	ABS
2	H8R111	EPDM
3	H8R203	AISI 304
4	H8R031	AISI 304
5	H8R045	AISI 304
9	H8R108	EPDM
9	FBEFR11	EPDM
10	H8R111	EPDM
11	H8R073	ABS
12 + 14	H8R603	ABS
12 + 14	H8R613	ABS
13	H8R651	ABS
13	H8R653	ABS
14	H8R113	EPDM
14	H8R115	EPDM
15	H8R715	
15	H8R717	
15	H8R719	
Not shown	H8R001	Rubber
Not shown	H8R009	AISI 304 - Rubber



8" Membrane Adapters

Suitable for 8" membranes;

Material PVC complete with o-rings.



Ref	Description	Fam.	Subfam.	Disp. Stock	
H8R601	8" MPV 1,125" ADAPTER IN ABS FOR 300-450 PSI	35	180	•	
H8R611	8" MPV 1,5" ADAPTER IN ABS FOR 300-450 PSI	35	180	•	
H8R603	8" MPV 1,125" ADAPTER IN ABS FOR 600-1200 PSI	35	180	•	
H8R613	8" MPV 1,5" ADAPTER IN ABS FOR 600-1200 PSI	35	180	•	
EA340	8" ADAPTER ABS D. 1,44" X 1,125" MALE WHIT O-RING P/N 10125	35	180		

Ref	Material	A	B	C	D	E	F	For Membrane	For Vessel
H8R601	ABS	28,3 (1,125")	46	70	38	70	36,5	BW30-400 or similar	MWG
H8R611	ABS	38 (1,5")	50	70	36	70	36,55	BW30LE440 or similar	MWG
H8R603	ABS	28,3 (1,125")	46	70	38	53	36,5	BW30-400 or similar	MWG
H8R613	ABS	38 (1,5")	50	70	36	53	36,55	BW30LE440 or similar	MWG
EA340	ABS	28,5 (1,125")	48	65	45	67	36,7	BW30-400 or similar	

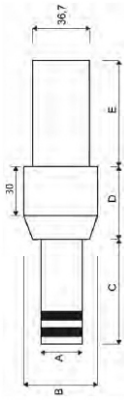
Ref Adapters	Ref O-Ring	Description	Fam.	Subfam.	Disp. Stock	
H8R601	H8R113	8" MPV 1,125" ADAPTER O-RING IN EPDM FOR 300÷1200 PSI	35	180		
H8R611	H8R115	8" MPV 1,5" ADAPTER O-RING IN EPDM FOR 300-1200 PSI	35	180		
H8R603	H8R113	8" MPV 1,125" ADAPTER O-RING IN EPDM FOR 300÷1200 PSI	35	180		
H8R613	H8R115	8" MPV 1,5" ADAPTER O-RING IN EPDM FOR 300-1200 PSI	35	180		
EA340	EA355	ADAPTER O-RING FOR 1.50" MALE ABS ADAPTER P/N 10183	35	180		

Certificates	Manufacturer	Sectors
		Industrial



8" Membrane Adapters

- Suitable for 8" diameter membranes - Complete with o-rings.



Ref	Description	Fam.	Subfam.	Disp. Stock	
EA023	ADAPTER 1.125" BEKAERT BW	35	180	•	

Ref	Material	A	B	C	D	E	For Membrane	For Vessel
EA023	PVC	28,5 (1,125")	50	73	50	64	BMW30-400 or similar	Bekaert Style

Ref O-Ring	Description	Fam.	Subfam.	Disp. Stock	
EA354	ADAPTER O-RING FOR 1.125" MALE ADAPTER P/N 10182	10	180		

Blank Adapters

Blank Adapter Kit

- Suitable for 8" membranes; - Material PVC complete with o-rings.



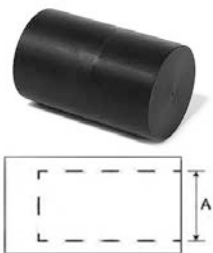
Ref	Description	Ref O-Ring	Fam.	Subfam.	Disp. Stock	
EA026A	KIT ADAPTER 1.125" FOR MWG VESSEL	EA264	35	190	•	

Ref	A (mm)	A (Inch)	For Membrane	For Vessel
EA026A	28,5	1,125"	BW30-400 or similar	MWG

Ref O-Ring	Description	Fam.	Subfam.	Disp. Stock	
EA264	8" O-RING OR.3093/ # 119 - FOR ADAPTER CODELINE 1.125"	35	180		

Blank Adapter

- Material PVC



Ref	Description	Fam.	Subfam.	Disp. Stock	
EA028	KIT BLANK ADAPTER 1.125" PVC FEMALE	35	180	•	

Ref	A (mm)	A (Inch)	For Membrane
EA028	28,5	1,125"	BW30-400 or similar

Certificates	Manufacturer	Sectors
		Industrial



Victaulic Style Couplings



- Complete with gaskets; Max operating pressure 1000 psi (69 bar)

Ref	Description	Fam.	Subfam.	Disp. Stock	
EA030	VICT. TYPE COUPLING CAST-IRON 1000 PSI - 1" (33.4 MM)	35	180	•	
EA032	VICT. TYPE COUPLING CAST-IRON 1000 PSI - 1"1/4 (42,2 MM)	35	180	•	
EA031	VICT. TYPE COUPLING CAST-IRON 1000 PSI - 1"1/2 (48,3 MM)	35	180	•	
EA033	VICT. TYPE COUPLING CAST-IRON 1000 PSI - 2" (60,3 MM)	35	180	•	
EA034	VICT. TYPE COUPLING CAST-IRON 1000 PSI - 2"1/2 (73.0 MM)	35	180	•	
EA035	VICT. TYPE COUPLING CAST-IRON 1000 PSI-3" (88,9 MM)	35	180	•	

Certificates	Manufacturer	Sectors
		Industrial

Aisi 304 Victaulic Style Couplings - 1200 Psi



- Complete with gaskets; Max operating pressure 1200 psi (83 bar).

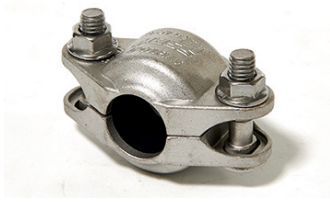
Ref	Description	Fam.	Subfam.	Disp. Stock	
EA190	COUPLING TYPE VICT. AISI 304 1200 PSI -3/4" (26,7 MM)	35	180	•	
EA191	COUPLING TYPE VICT. AISI 304 1200 PSI -1" (33,7 MM)	35	180	•	
EA192	COUPLING TYPE VICT. AISI 304 1200 PSI -1"1/4 (42,4 MM)	35	180	•	
EA193	COUPLING TYPE VICT. AISI 304 1200 PSI -1"1/2 (48,3 MM)	35	180	•	
EA194	COUPLING TYPE VICT. AISI 304 1200 PSI -2" (60,3 MM)	35	180	•	
EA195	COUPLING TYPE VICT. AISI 304 1200 PSI -2"1/2 (73,0 MM)	35	180	•	
EA196	COUPLING TYPE VICT. AISI 304 1200 PSI -3" (88,9 MM)	35	180	•	

Certificates	Manufacturer	Sectors
		Industrial



Aisi 304 Victaulic Style Couplings - 350 Psi

- Complete with gaskets; Max operating pressure 350 psi (23 bar).



Ref	Description	Fam.	Subfam.	Disp. Stock	
EA070	VICT. TYPE COUPLING AISI 304 350 PSI - 3/4" (26,7 MM)	35	180	•	
EA071	VICT. TYPE COUPLING AISI 304 350 PSI - 1" (33.4 MM)	35	180	•	
EA072	VICT. TYPE COUPLING AISI 304 350 PSI - 1"1/4 (42,2 MM)	35	180	•	
EA073	VICT. TYPE COUPLING AISI 304 350 PSI - 1"1/2 (48,3 MM)	35	180	•	
EA074	VICT. TYPE COUPLING AISI 304 350 PSI - 2" (60.3 MM)	35	180	•	
EA075A	VICT. TYPE COUPLING AISI 304 350 PSI -2"1/2 (73,0 MM)	35	180	•	
EA075	VICT. TYPE COUPLING AISI 304 350 PSI - 3" O.D. (76.1 MM)	35	180	•	
EA076	VICT. TYPE COUPLING AISI 304 350 PSI - 3" (88.9 MM)	35	180	•	

Certificates	Manufacturer	Sectors
		Industrial

Nylon Victaulic Style Couplings - 300 psi

- Complete with gaskets in EPDM;
- Max operating pressure 300 psi (21 bar).



Ref	Description	Fam.	Subfam.	Disp. Stock	
EA550	VICT. COUPLING NYLON 300 PSI-1" (33,4 MM) - DN25	35	180	•	
EA551	VICT. COUPLING NYLON 300 PSI-1" 1/4 (42,2 MM) - DN32	35	180	•	
EA552	VICT. COUPLING NYLON 300 PSI-1" 2" (48,3 MM) - DN40	35	180	•	
EA553	VICT. COUPLING NYLON 300 PSI-1" 1/2 (60,3 MM) - DN50	35	180	•	
EA554	VICT. COUPLING NYLON 300 PSI-2" 1/2 (73,0 MM) - DN65	35	180	•	
EA555	VICT. COUPLING NYLON 300 PSI-3" (88,9 MM) - DN80	35	180	•	
EA556	VICT. COUPLING NYLON 300 PSI-4" (114,3 MM) - DN100	35	180	•	

Ref	For our stub pipes	Nominal diameter (pollici)	Nominal diameter (mm)
EA550		1"	33,4
EA551	EA601	1¼"	42,2
EA552	EA602	1½"	48,3
EA553	EA603	2"	60,3
EA554	EA604	2½"	73,0
EA555	EA605	3"	88,9
EA556	EA606	4"	114,3

Certificates	Manufacturer	Sectors
		Industrial



Nylon Victaulic Style Couplings - 150 psi

- Complete with gaskets in EPDM;
- Max operating pressure 150 psi (21 bar).

Ref	Description	Fam.	Subfam.	Disp. Stock	
EA557	VICT. COUPLING NYLON 150 PSI-6" (168,3 MM) - DN150	35	180		
EA558	VICT. COUPLING NYLON 150 PSI-8" (219,1 MM) - DN200	35	180		

Certificates	Manufacturer	Sectors
		Industrial



Stub Pipes to Weld

- Stub pipe with end part to weld;
- Material AISI 316;
- P max 600 psi (42 bar).

Ref	Description	Fam.	Subfam.	Disp. Stock	
EA080	STUBE PIPE TO WELD CUT GROOVE AISI 316 - 3/4" (26.7 x 60 MM - SCH 40)	35	180	•	
EA081	STUBE PIPE TO WELD CUT GROOVE AISI 316 - 1" (33,7 x 60 MM - SCH 40)	35	180	•	
EA082	STUBE PIPE TO WELD CUT GROOVE AISI 316 - 1"1/4 (42.4 x 60 MM - SCH 40)	35	180	•	
EA083	STUBE PIPE TO WELD CUT GROOVE AISI 316 - 1"1/2 (48.3 x 60 MM - SCH 40)	35	180	•	
EA084	STUBE PIPE TO WELD CUT GROOVE AISI 316 - 2" (60,3 x 80 MM - SCH 40)	35	180	•	
EA085A	STUBE PIPE TO WELD CUT GROOVE AISI 316 - 2"1/2 (73,0 x 90 MM - SCH 40)	35	180	•	
EA086	STUBE PIPE TO WELD CUT GROOVE AISI 316 - 3" (88,9 x 100 MM - SCH 40)	35	180	•	

Ref	ANSIB36.10 Schedules	Nominal diameter (mm)	Lenght (mm)
EA080	40	26,7	60
EA081	40	33,4	60
EA082	40	42,2	60
EA083	40	48,3	60
EA084	40	60,3	80
EA085A	40	73,0	90
EA086	40	88,9	100

Certificates	Manufacturer	Sectors
		Industrial



Threaded Stub Pipes

- Stub pipe with end part threaded;
- Material AISI 316;
- P max 600 psi (42 bar).

Ref	Description	Fam.	Subfam.	Disp. Stock	
EA050	THREADED STUBE PIPE CUT GROOVE AISI 316 - 3/4" M (26,7 x 65 MM)	35	180	•	
EA051	THREADED STUBE PIPE CUT GROOVE AISI 316 - 1" M (33,7 x 65 MM)	35	180	•	
EA052	THREADED STUBE PIPE CUT GROOVE AISI 316 - 1"1/4 M (42,4 x 80 MM)	35	180	•	
EA053	THREADED STUBE PIPE CUT GROOVE AISI 316 - 1"1/2 M (48,3 x 100 MM)	35	180	•	
EA054	THREADED STUBE PIPE CUT GROOVE AISI 316 - 2" M (60,3 x 100 MM)	35	180	•	
EA055	THREADED STUBE PIPE CUT GROOVE AISI 316 - 2"1/2 M (76,1 x 100 MM)	35	180	•	

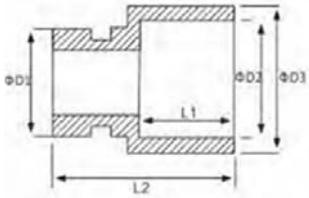
Certificates	Manufacturer	Sectors
		Industrial



Stub Pipes

Stub Pipes to Glue

- Stub pipes with end part to glue and the other end part for Victaulic Style couplings;
- In PVC-U.
- PN = 4 bar.



Ref	Description	Fam.	Subfam.	Disp. Stock	
EA601	PVC-U STUBE PIPE DN32 D32	35	180	•	
EA602	PVC-U STUBE PIPE DN40 D50	35	180	•	
EA603	PVC-U STUBE PIPE DN50 D63	35	180	•	
EA604	PVC-U STUBE PIPE DN65 D75	35	180	•	
EA605	PVC-U STUBE PIPE DN80 D90	35	180	•	
EA606	PVC-U STUBE PIPE DN100 D110	35	180	•	

Ref	For our victaulic style couplings	D1 (mm)	D2 (mm)	D3 (mm)	L1 (mm)	L2 (mm)
EA601	EA551	42	32	40	22	64
EA602	EA552	48	50	60	31	66
EA603	EA553	60	63	74	38	76
EA604	EA554	73	75	87	43	79
EA605	EA555	89	90	104	51	85
EA606	EA556	114	110	125	61	96

Certificates	Manufacturer	Sectors
		Industrial



R.O. PLUS Electric Control Panel for R.O. Systems



- With double conductivity meter (feed and permeate);
- In this way you can:
- Command the high pressure pump and the two solenoid valves for feed interception and flushing;
- Manage and program the most common measurement and signal instruments installed on the system, with highly flexible ways of working;
- Manage and setting the automatic cleaning system;
- Conform to CE Directives;
- Microprocessor;
- LCD display 2 x 16 digit;
- Power supply 230VAC 50-60Hz;
- Available in ABS box with protection class IP65 (ref. DG101 and ref. DG103) or Rack version (ref. DG101R and ref. DG103R);
- Supplied without conductivity probes.
- **RACK Version: Height 180 (mm), Width 220 (mm), Dept 80 (mm)**

Operated functions:

- High pressure pump (max power 736 W);
- Feed electric valve;
- Fluxing electric valve;
- Cleaning electric valve;
- Pump for antiscaling.

Conductivity meter:

- VERSION 1: RO PLUS LC (ref. DG101 ABS box IP65 and ref. DG101R Rack version).
- With conductivity meter for feed $000 \div 9,99$ mS/cm and conductivity meter for permeate $00,0 \div 99,9$ μ S/cm.
- Warning: with this model you must use one Stainless Steel probe K=1 (ref. DG121) for feed and one Stainless Steel probe for permeate (ref. DG122), to buy separately.
- VERSION 2: RO PLUS HC (ref. DG103 ABS box IP65 and ref. DG103R Rack version)
- With conductivity meter for feed $00,0 \div 9,99$ mS/cm and conductivity meter for permeate $00,0 \div 999$ μ S/cm
- Warning: with this model you must use n.2 graphite probes K=1 (ref. DG123), one for the feed and one for the permeate, to buy separately.
- The version is displayed turning on the instrument.



External input receivable:

- Low permeate storage tank level;
- High permeate storage tank level;
- Minimum pressure meter;
- Maximum pressure meter;
- Pretreatment (filter or softener) in service;
- Heat pump;
- Failed dosage alarm;
- Stand-by.

Alarms:

- High conductivity; - Low pressure; - High pressure; - Heat pump; - HIGH LOW CONTACT.

Ref	Description	Fam.	Subfam.	Disp. Stock	
DG101	R.O. PLUS LC CONTROL PANEL	30	185	•	
DG103	R.O. PLUS HC CONTROL PANEL	30	185	•	
DG101R	R.O. PLUS LC RACK CONTROL PANEL	30	185	•	
DG103R	R.O. PLUS HC RACK CONTROL PANEL	30	185	•	
DG121	CONDUCTIVITY PROBE INOX K=1 CONN.3/4" W/CABLE	30	185	•	
DG122	CONDUCTIVITY PROBE INOX K=0.1 CONN.3/4" W/CABLE	30	185	•	
DG123	CONDUCTIVITY PROBE CARBON K=1 CONN.3/4" W/CABLE	30	185	•	

Certificates	Manufacturer	Sectors
CE	MWG	Commercial, Industrial



In-Out 3/8" Rotary Pumps for R.O.

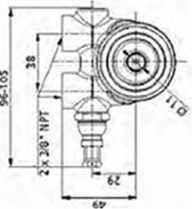
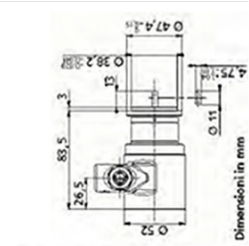


- Rotary vane pumps for R.O. systems, direct connection V-band clamp to motor;
- Housing material brass or AISI 303, security by-pass on show models;
- IN-OUT connections 3/8" F BSPT (or NPT on demand);
- T max = 50°C;
- Service life = almost 4.000 hours (with P=10 bar and good operating conditions).

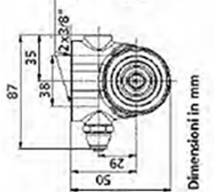
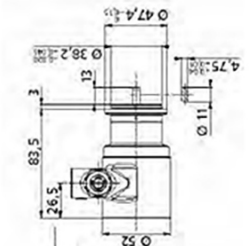
Ref	Description	Fam.	Subfam.	Disp. Stock	
DE804A	ROTARY PUMP RO 50 BRASS WITH BYPASS 3/8" GAS	30	170	•	
DE805A	ROTARY PUMP RO 150 BRASS WITH BYPASS 3/8" GAS	30	170	•	
DE806A	ROTARY PUMP RO 200 BRASS WITH BYPASS 3/8" GAS	30	170	•	
DE807A	ROTARY PUMP RO 300 BRASS WITH BYPASS 3/8" GAS	30	170	•	
DE808A	ROTARY PUMP RO 400 BRASS WITH BYPASS 3/8" GAS	30	170	•	
DE827A	ROTARY PUMP RO 300 AISI W/BY PASS 3/8" GAS	30	170	•	
DE828A	ROTARY PUMP RO 400 AISI W/BY PASS 3/8" GAS	30	170	•	
DE811A	ROTARY PUMP RO 200 BRASS 3/8" GAS	30	170	•	
DE812A	ROTARY PUMP RO 300 BRASS 3/8" GAS	30	170	•	
DE813A	ROTARY PUMP RO 400 BRASS 3/8" GAS	30	170	•	
DE832A	ROTARY PUMP RO 300 AISI 3/8" GAS	30	170	•	
DE833A	ROTARY PUMP RO 400 AISI 3/8" GAS	30	170	•	
DE804	ROTARY PUMP RO 50 BRASS WITH BYPASS 3/8" NPT	30	170		
DE805	ROTARY PUMP RO 150 BRASS WITH BYPASS 3/8" NPT	30	170		
DE806	ROTARY PUMP RO 200 BRASS WITH BYPASS 3/8" NPT	30	170		
DE807	ROTARY PUMP RO 300 BRASS WITH BYPASS 3/8" NPT	30	170		
DE808	ROTARY PUMP RO 400 BRASS WITH BYPASS 3/8" NPT	30	170		
DE827	ROTARY PUMP RO 300 AISI W/BY PASS 3/8" NPT	30	170		
DE828	ROTARY PUMP RO 400 AISI W/BY PASS 3/8" NPT	30	170		
DE811	ROTARY PUMP RO 200 BRASS 3/8" NPT	30	170		
DE812	ROTARY PUMP RO 300 BRASS 3/8" NPT	30	170		
DE813	ROTARY PUMP RO 400 BRASS 3/8" NPT	30	170		
DE832	ROTARY PUMP RO 300 AISI 3/8" NPT	30	170		
DE833	ROTARY PUMP RO 400 AISI 3/8" NPT	30	170		



In-Out 3/8" Rotary Pumps for R.O.



Pompe in ottone



Pompe in acciaio



Ref	Connections	Material	Flow 7 bar (l/h)	Flow 14 bar (l/h)
DE804A	BSPT	Brass	65	55
DE805A	BSPT	Brass	165	150
DE806A	BSPT	Brass	225	206
DE807A	BSPT	Brass	334	315
DE808A	BSPT	Brass	434	415
DE827A	BSPT	AISI 303	334	315
DE828A	BSPT	AISI 303	434	415
DE811A	BSPT	Brass	225	206
DE812A	BSPT	Brass	334	315
DE813A	BSPT	Brass	434	415
DE832A	BSPT	AISI 303	334	315
DE833A	BSPT	AISI 303	434	415
DE804	NPT	Brass	65	55
DE805	NPT	Brass	165	150
DE806	NPT	Brass	225	206
DE807	NPT	Brass	334	315
DE808	NPT	Brass	434	415
DE827	NPT	AISI 303	334	315
DE828	NPT	AISI 303	434	415
DE811	NPT	Brass	225	206
DE812	NPT	Brass	334	315
DE813	NPT	Brass	434	415
DE832	NPT	AISI 303	334	315
DE833	NPT	AISI 303	434	415

Certificates	Manufacturer	Sectors
DM174-2004 / NSF169 / WRAS	MWG	Domestic, Commercial



In-Out 1/2" Rotary Pumps for R.O.

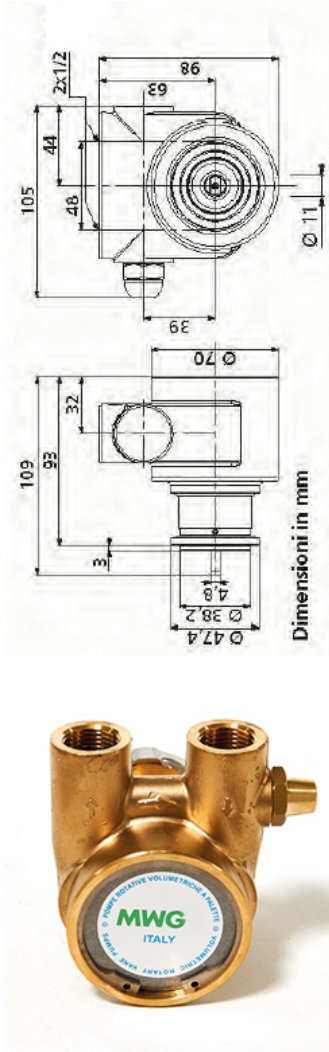
- Rotary vane pumps for R.O. systems, direct connection V-band clamp to motor;
- Housing material brass or AISI 303;
- IN-OUT Gas connections 1/2" F BSPT (or NPT on demand);
- T max = 50°C;
- Service life = almost 4.000 hours (with P=10 bar and good operating conditions).



Ref	Description	Fam.	Subfam.	Disp. Stock	
DE809A	ROTARY PUMP RO 600 BRASS WITH BYPASS 1/2" GAS	30	170	•	
DE810A	ROTARY PUMP RO 800 BRASS WITH BYPASS 1/2" GAS	30	170	•	
DE814A	ROTARY PUMP RO 1000 BRASS WITH BYPASS 1/2" GAS	30	170	•	
DE817A	ROTARY PUMP RO 600 BRASS 1/2" GAS	30	170	•	
DE818A	ROTARY PUMP RO 800 BRASS 1/2" GAS	30	170	•	
DE819A	ROTARY PUMP RO 1000 BRASS 1/2" GAS	30	170	•	
DE801A	ROTARY PUMP RO 600 MAXI AISI W/BY PASS 1/2" GAS	30	170	•	
DE802A	ROTARY PUMP RO 800 MAXI AISI W/BY PASS 1/2" GAS	30	170	•	
DE803A	ROTARY PUMP RO 1000 MAXI AISI W/BY PASS 1/2" GAS	30	170	•	
DE837A	ROTARY PUMP RO 600 MAXI AISI 1/2" GAS	30	170	•	
DE838A	ROTARY PUMP RO 800 MAXI AISI 1/2" GAS	30	170	•	
DE839A	ROTARY PUMP RO 1000 MAXI AISI 1/2" GAS	30	170	•	
DE809	ROTARY PUMP RO 600 BRASS WITH BYPASS 1/2" NPT	30	170		
DE810	ROTARY PUMP RO 800 BRASS WITH BYPASS 1/2" NPT	30	170		
DE814	ROTARY PUMP RO 1000 BRASS WITH BYPASS 1/2" NPT	30	170		
DE817	ROTARY PUMP RO 600 BRASS 1/2" NPT	30	170		
DE818	ROTARY PUMP RO 800 BRASS 1/2" NPT	30	170		
DE819	ROTARY PUMP RO 1000 BRASS 1/2" NPT	30	170		
DE801	ROTARY PUMP RO 600 MAXI AISI W/BY PASS 1/2" NPT	30	170		
DE802	ROTARY PUMP RO 800 MAXI AISI W/BY PASS 1/2" NPT	30	170		
DE803	ROTARY PUMP RO 1000 MAXI AISI W/BY PASS 1/2" NPT	30	170		
DE837	ROTARY PUMP RO 600 MAXI AISI 1/2" NPT	30	170		
DE838	ROTARY PUMP RO 800 MAXI AISI 1/2" NPT	30	170		
DE839	ROTARY PUMP RO 1000 MAXI AISI 1/2" NPT	30	170		



In-Out 1/2" Rotary Pumps for R.O.



Ref	Connections	Material	Flow 7 bar (l/h)	Flow 14 bar (l/h)
DE809A	BSPT	Brass	620	797
DE810A	BSPT	Brass	820	797
DE814A	BSPT	Brass	1020	997
DE817A	BSPT	Brass	620	597
DE818A	BSPT	Brass	820	797
DE819A	BSPT	Brass	1020	997
DE801A	BSPT	AISI 303	620	597
DE802A	BSPT	AISI 303	820	797
DE803A	BSPT	AISI 303	1020	997
DE837A	BSPT	AISI 303	620	597
DE838A	BSPT	AISI 303	820	797
DE839A	BSPT	AISI 303	1020	997
DE809	NPT	Brass	620	597
DE810	NPT	Brass	820	797
DE814	NPT	Brass	1020	997
DE817	NPT	Brass	620	597
DE818	NPT	Brass	820	797
DE819	NPT	Brass	1020	997
DE801	NPT	AISI 303	620	597
DE802	NPT	AISI 303	820	797
DE803	NPT	AISI 303	1020	997
DE837	NPT	AISI 303	620	597
DE838	NPT	AISI 303	820	797
DE839	NPT	AISI 303	1020	997
Certificates	Manufacturer		Sectors	
DM174-2004 / NSF169 / WRAS	MWG		Domestic, Commercial, Industrial	



Motors Direct Connection for Rotary Pumps

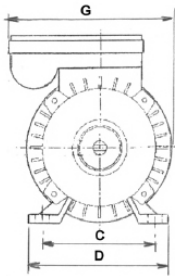
- Single phase motors direct connection for rotary vane pumps;
- Complete with thermic protection (our ref. DE845 has an automatic reset thermal protection when the temperature decreases);
- Power supply 220V - 50 Hz.



Ref	Description	Fam.	Subfam.	Disp. Stock	
DE850	MOTOR 300W-230V-50Hz SINGLE PHASE DIRECT CONNECTIONS	30	170	•	
DE845	MOTOR 550W-230V-50Hz 4 POLES SINGLE PHASE DIRECT CONNECTIONS	30	170	•	

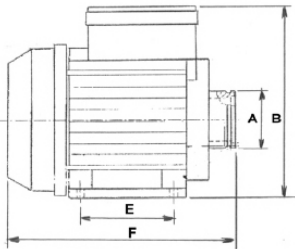
Ref	A (mm)	B (mm)	C (mm)	D (mm)	E (mm)	F (mm)	G (mm)
DE850	47	156	97	120	80	200	138
DE845	44	205	*	172	*	241	*

* Not applicable: for further details, please consult our Technical Department.



Ref	Electrical Input (a)	RPM	IP Protection	For Pumps
DE850	1,6	1.300	IP 44	RO 200 RO 300
DE845	4,2	1.360	IP 55	RO 600 RO 800

Certificates	Manufacturer	Sectors
CE		Domestic, Commercial, Industrial





Motors for Rotary Pumps for R.O. 300-400-600-800-1000

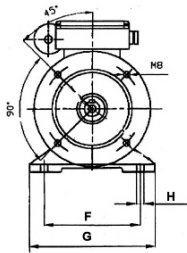
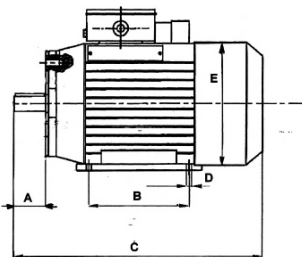
- Range of single and three phase motor for application with rotary vane pumps, using coupling and adapter;
- 4 poles motor, power supply 220V - 50 Hz single phase, 380V - 50 Hz three phase;
- Protection class IP55;



Ref	Description	Fam.	Subfam.	Disp. Stock	
DE860	MOTOR 1/2 CV-M71-4POLI 220V/50HZ SINGLE PHASE B3/B14	30	170	•	
DE861	MOTOR 3/4 CV-M80-4POLI 220V/50HZ SINGLE PHASE B3/B14	30	170	•	
DE862	MOTOR 1 CV-M80-4POLI 220V/50HZ SINGLE PHASE B3/B14	30	170	•	
DE863	MOTOR 1/2 CV-M71 4 POLI 220/380V-50HZ TRIPHASE B3/B14	30	170	•	
DE864	MOTOR 3/4 CV-M80 4 POLI 220/380V-50HZ TRIPHASE B3/B14	30	170	•	
DE865	MOTOR 1 CV-M80 4 POLI 220/380V-50HZ TRIPHASE B3/B14	30	170	•	

Model	A (mm)	B (mm)	C (mm)	D (mm)	E (mm)	F (mm)	G (mm)	H (mm)
0,5 CV	30	90	222	7	141	112	142	10
0,75 CV	40	100	255	10	157	125	160	13
1 CV	40	100	255	10	157	125	160	13

Ref	Power (cv)	Power (w)	Electrical Input (a)	RPM	For pump
DE860	0,5	370	3,1	1360	RO 300 RO 400
DE861	0,75	550	3,9	1360	RO 600 RO 800
DE862	1	750	5,6	1370	RO 1000
DE863	0,5	370	2,2	1360	RO 300 RO 400
DE864	0,75	550	2,8	1360	RO 600 RO 800
DE865	1	750	3,5	1360	RO 1000



Power Ref	Coupling Ref	Adapter Ref
DE860	DE872	DE871
DE861	DE874	DE873
DE862	DE874	DE873
DE863	DE872	DE871
DE864	DE874	DE873
DE865	DE874	DE873

Certificates	Manufacturer	Sectors
CE		Domestic, Commercial, Industrial



Adapter Couplings and Adapters for Rotary Pumps Models R.O. 300-400-600-800-1000

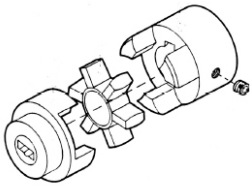


Ref	Description	Fam.	Subfam.	Disp. Stock	
DE871	ADAPTER GR.71 -B3/B14	30	170	•	

Ref	Description	Fam.	Subfam.	Disp. Stock	
DE873	ADAPTER GR.80-B3/B14	30	170	•	



Ref	Description	Fam.	Subfam.	Disp. Stock	
DE872	COUPLING GR.71	30	170	•	



Ref	Description	Fam.	Subfam.	Disp. Stock	
DE874	COUPLING GR.80	30	170	•	



Flowmeters

- Flowmeters (the reading is taken in correspondence with the top edge of the float) with wide range of measuring scale and of end connections (d20 ÷ d75), good level of accuracy with simple operation and very limited maintenance;
- Standard fluid = water; - Measuring tube in transparent PVC-U, Float in PP and O-ring in EPDM;
- Isolating or control valves may be mounted both upstream or downstream the flowmeter;
- Maximum working pressure with water up to 25°C = 10 bar; - 60°C = 1,5 bar - Temperature range = 5 ÷ 60°C.

FVCI

FSIV

D	B	C	E	D	B	C	E
20	208	176	170	40	408	356	350
25	229	191	185	63	432	356	350
32	250	206	200	75	444	356	350

Ref	Description	Connect.	Fam.	Subfam.	Disp. Stock	
DG030	FLOWMETER FCIV D20 PVC EPDM 20-200 L/H PVC CLEAR PP FLOAT	d20	30	185	•	
DG032	FLOWMETER FCIV D25 PVC EPDM 30-350 L/H PVC CLEAR PP FLOAT	d25	30	185	•	
DG034	FLOWMETER FCIV D32 PVC EPDM 60-600 L/H PVC CLEAR PP FLOAT	d32	30	185	•	
DG036	FLOWMETER FCIV D32 PVC EPDM 100-1000 L/H PVC CLEAR PP FLOAT	d32	30	185	•	
DG038	FLOWMETER FSIV D40 PVC EPDM 160-1600 L/H PVC CLEAR PP FLOAT	d40	30	185	•	
DG040	FLOWMETER FSIV D40 PVC EPDM 200-2500 L/H PVC CLEAR PP FLOAT	d40	30	185	•	
DG042	FLOWMETER FSIV D63 PVC EPDM 350-3500 L/H PVC CLEAR PP FLOAT	d63	30	185	•	
DG044	FLOWMETER FSIV D63 PVC EPDM 500-5000 L/H PVC CLEAR PP FLOAT	d63	30	185	•	
DG046	FLOWMETER FSIV D75 PVC EPDM 1000-8000 L/H PVC CLEAR PP FLOAT	d75	30	185	•	
DG048	FLOWMETER FSIV D75 PVC EPDM 1000-10000 L/H PVC CLEAR PP FLOAT	d75	30	185	•	
DG050	FLOWMETER FSIV D75 PVC EPDM 5000-25000 L/H PVC CLEAR PP FLOAT	d75	30	185	•	

Certificates	Manufacturer	Sectors
EAC		Commercial, Industrial



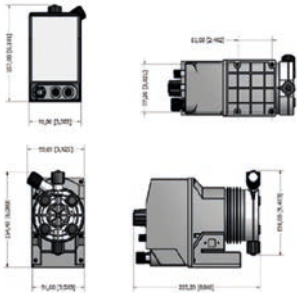
ACCESSORIES: Threaded connections not included, to order separately; - Material not available in stock.

Ref	Description	Fam.	Subfam.	Disp. Stock	
DG061	BFV THREADED CONNECTION BSP 1/2" PVCU	30	185	•	
DG063	BFV THREADED CONNECTION BSP 3/4" PVCU	30	185	•	
DG065	BFV THREADED CONNECTION BSP 1" PVCU	30	185	•	
DG067	BFV THREADED CONNECTION BSP 1 1/4" PVCU	30	185	•	
DG069	BFV THREADED CONNECTION BSP 2 " PVCU	30	185	•	
DG071	BFV THREADED CONNECTION BSP 2 1/2 " PVCU	30	185	•	

Ref	For Flowmeter
DG061	DG030
DG063	DG032
DG065	DG034 - DG036
DG067	DG038 - DG040
DG069	DG042 - DG044
DG071	DG046 - DG048 - DG050



PL Series Metering Pumps Horizontal Mounting



- PL series metering pumps horizontal mounting;
- Constant or proportional feeding, with pulse multiplier or pulse divider, dosage based on a mA signal or a digital signal (from 1 pulse/minute at 180 pulses/minute);
- Microprocessor technology;
- Manual stroke length adjustment;
- Body pump's in PVDF (and o-rings in VITON) or PP (and o-rings in EPDM), with manual venting;
- Black enclosure in PP material;
- Protection class IP65;
- Audible noise 73,4 dB(A);
- Environment temperature $10 \div 45^{\circ}\text{C}$;
- Chemical temperature $0 \div 50^{\circ}\text{C}$;
- Power supply 230Vac 50/60hz with European transformer;
- Each pump is shipped with a Kit Assembly, delayed fuse, level probe with axial foot filter (PVDF), 5 bar injection valve (PVDF), PVDF delivery hose (length 2 m), PVC suction hose (length 2 m), discharge hose (length 2 m), input signal cable (length 2,5 m);
- Available also the self-venting version (see the following table).

Ref	Description	Fam.	Subfam.	Disp. Stock	
DG299	METERING PUMP HORIZ. PL 1 L/H @18 BAR PVDF OR VITON SELF VENTING	30	170	•	
DG300	METERING PUMP HORIZONTAL PL 2 L/H @ 18 BAR PVDF W/OR VITON	30	170	•	
DG300A	METERING PUMP HORIZONTAL PL 2 L/H @ 18 BAR PP W/OR EPDM	30	170		
DG303	METERING PUMP HORIZ. PL 5,5 L/H @8 BAR PVDF OR VITON SELF VENTING	30	170	•	
DG304	METERING PUMP HORIZONTAL PL 8 L/H @ 8 BAR PVDF W/OR VITON	30	170	•	
DG304A	METERING PUMP HORIZONTAL PL 8 L/H @ 8 BAR PP W/OR EPDM	30	170		

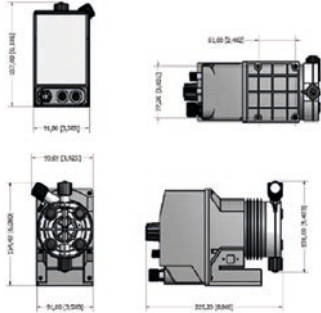
Certificates	Manufacturer	Sectors
NSF50 NSF61 DM174-2004 CE	MWG	Commercial, Industrial



MF Series Metering Pumps Horizontal Mounting



- MF series metering digital pumps horizontal mounting;
- Microprocessor technology (Constant, Divide, Multiply, PPM, Batch, Volt, mA, %, MLQ), stand-by and flow sensor input, alarm output and level control. Recovery fault mode, work-pause mode and upkeep mode (from 1 pulse/minute at 180 pulses/minute);
- Body pump's in PVDF (and o-rings in VITON) or PP (and o-rings in EPDM), with manual venting;
- Black enclosure in PP material, protection class IP65;
- Audible noise 73,4 dB(A);
- Environment temperature 10 ÷ 45°C, chemical temperature 0 ÷ 50°C;
- Power supply 230Vac 50/60hz with European transformer;
- Each pump is shipped with a Kit Assembly, delayed fuse, level probe with axial foot filter (PVDF), 5 bar injection valve (PVDF), PVDF delivery hose (length 2 m), PVC suction hose (length 2 m), discharge hose (length 2 m), input signal cable (length 2,5 m);
- Available also the self-venting version (see the following table).



Ref	Description	Fam.	Subfam.	Disp. Stock	
DG309	METERING PUMP HORIZ. MF 1 L/H @18 BAR PVDF OR VITON SELF VENTING	30	170	•	
DG310	METERING PUMP HORIZONTAL MF 2 L/H @ 18 BAR PVDF W/OR VITON	30	170	•	
DG310A	METERING PUMP HORIZONTAL MF 2 L/H @ 18 BAR PP W/OR EPDM	30	170		
DG313	METERING PUMP HORIZ. MF 5,5 L/H @8 BAR PVDF OR VITON SELF VENTING	30	170	•	
DG314	METERING PUMP HORIZONTAL MF 8 L/H @ 8 BAR PVDF W/OR VITON	30	170	•	
DG314A	METERING PUMP HORIZONTAL MF 8 L/H @ 8 BAR PP W/OR EPDM	30	170		

Certificates	Manufacturer	Sectors
NSF50 NSF61 DM174-2004 CE	MWG	Commercial, Industrial



MF Series Metering Pumps Vertical Mounting



- MF series metering digital pumps vertical mounting;
- Microprocessor technology (Constant, Divide, Multiply, PPM, Batch, Volt, mA, %, ml/q), with level control. Recovery fault mode, work-pause mode and upkeep mode (from 1 pulse/hour at 180 pulses/minute);
- Body pump's in PVDF (and o-rings in VITON) or PP (and o-rings in EPDM), with manual venting;
- Black enclosure in PP material;
- Protection class IP65;
- Audible noise 70.4 dB(A);
- Environment temperature 10 ÷ 45°C;
- Chemical temperature 0 ÷ 50°C;
- Power supply 230Vac 50/60hz with European transformer;
- Each pump is shipped with a Kit Assembly, delayed fuse, level probe with axial foot filter (PVDF), 5 bar injection valve (PVDF), PVDF delivery hose (length 2 m), PVC suction hose (length 2 m), discharge hose (length 2 m), input signal cable (length 2,5 m);
- Available also the self-venting version (see the following table).

Ref	Description	Fam.	Subfam.	Disp. Stock	
DG319	METERING PUMP VERTICAL. MF 1 L/H @15 BAR PVDF OR VITON SELF VENTING	30	170	•	
DG320	METERING PUMP VERTICAL MF 2 L/H @ 15 BAR PVDF W/OR VITON	30	170	•	
DG320A	METERING PUMP VERTICAL MF 2 L/H @ 15 BAR PP W/OR EPDM	30	170		
DG323	METERING PUMP VERTICAL. MF 4 L/H @7 BAR PVDF OR VITON SELF VENTING	30	170	•	
DG324	METERING PUMP VERTICAL MF 6 L/H @ 7 BAR IN PVDF W/OR VITON	30	170	•	
DG324A	METERING PUMP VERTICAL MF 6 L/H @ 7 BAR IN PP W/OR EPDM	30	170		

Certificates	Manufacturer	Sectors
NSF50 NSF61 DM174-2004 CE	MWG	Commercial, Industrial



CL Series Metering Pumps Vertical Mounting



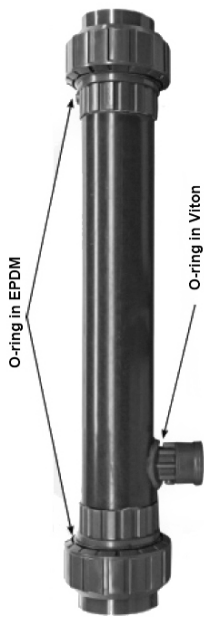
- CL series metering pumps vertical mounting;
- Microprocessor technology; constant pump with level control, flow rate control and 0-10% divider (from 1 pulse/minute at 180 pulses/minute);
- Body pump's in PVDF (and o-rings in VITON) or PP (and o-rings in EPDM), with manual venting;
- Black enclosure in PP material;
- Protection class IP65;
- Audible noise 74 dB(A);
- Environment temperature 10 ÷ 45°C;
- Chemical temperature 0 ÷ 50°C;
- Power supply 230Vac 50/60hz with European transformer;
- Each pump is shipped with a Kit Assembly, delayed fuse, level probe with axial foot filter (PVDF), 5 bar injection valve (PVDF), PVDF delivery hose (length 2 m), PVC suction hose (length 2 m), discharge hose (length 2 m), input signal cable (length 2,5 m);
- Available also the self-venting version (see the following table).

Ref	Description	Fam.	Subfam.	Disp. Stock	
DG329	METERING PUMP VERTIC. CL 1 L/H @15 BAR PVDF OR VITON SELF VENTING	30	170	•	
DG330	METERING PUMP VERTICAL CL 2 L/H @ 15 BAR PVDF W/OR VITON	30	170	•	
DG330A	METERING PUMP VERTICAL CL 2 L/H @ 15 BAR PP W/OR EPDM	30	170		
DG333	METERING PUMP VERTIC. CL 4 L/H @7 BAR PVDF OR VITON SELF VENTING	30	170	•	
DG334	METERING PUMP VERTICAL CL 6 L/H @ 7 BAR PVDF W/OR VITON	30	170	•	
DG334A	METERING PUMP VERTICAL CL 6 L/H @ 7 BAR PP W/OR EPDM	30	170		

Certificates	Manufacturer	Sectors
NSF50 NSF61 DM174-2004 CE	MWG	Commercial, Industrial



Metering Pumps Accessories



Ref	Description	Fam.	Subfam.	Disp. Stock	
DG452	PVDF TUBE 6X4 ROLL L=5 M	30	170	•	
DG453	PVC TUBE 6X4 ROLL L=100 M	30	170	•	
DG454	PE TUBE 6X4 ROLL L=100 M	30	170	•	
DG460	MAINTENANCE KIT ASSY METERING PUMP HORIZONTAL PVDF -ORING VITON	30	170	•	
DG460A	MAINTENANCE KIT ASSY METERING PUMP HORIZ. PVDF W/OR VITON SELF-VENTING	30	170	•	
DG461	MAINTENANCE KIT ASSY METERING PUMP HORIZONTAL PVDF -ORING EPDM	30	170		
DG461A	MAINTENANCE KIT ASSY METERING PUMP HORIZ. PVDF W/OR EPDM SELF-VENTING	30	170		
DG462	MAINTENANCE KIT ASSY METERING PUMP VERTICAL PVDF -ORING VITON	30	170	•	
DG462A	MAINTENANCE KIT ASSY METERING PUMP VERT. PVDF W/OR VITON SELF-VENTING	30	170	•	
DG463	MAINTENANCE KIT ASSY METERING PUMP VERTICAL PVDF -ORING EPDM	30	170		
DG463A	MAINTENANCE KIT ASSY METERING PUMP VERT. PVDF W/OR EPDM SELF-VENTING	30	170		
DG399	LEVEL PROBE WITH AXIAL FOOT FILTER	30	170		

Certificates	Manufacturer	Sectors
	MWG	Commercial, Industrial

Metering Pumps Accessories

STATIC MIXERS

- PVC-U static mixer filled with PP mixing elements;
- With injection valve 1/2" - 4x6 0,3 bar.

Ref	Description	Fam.	Subfam.	Disp. Stock	
DG470	STATIC MIXER 1 1/4"	30	170	•	
DG472	STATIC MIXER 1 1/2"	30	170	•	
DG473	STATIC MIXER 2"	30	170	•	

Ref	Inspectionable	Fitting
DG470	Yes	1¼ "
DG472	Yes	1½"
DG473	Yes	2"

Certificates	Manufacturer	Sectors
	MWG	Commercial, Industrial

Accessories

Ref	Description	Fam.	Subfam.	Disp. Stock	
DG450	MOUNTING BRACKET FOR VERTICAL PUMP	30	170	•	

Certificates	Manufacturer	Sectors



Metering Pumps Accessories

Turbine pulse emitter water meter



- Threaded pulse emitter water meter for cold and hot water, single (mod. 15 - 20 - 25 - 30 40) and multiple (mod. 50) jet counter with wet or dry dial;
- Thread sizes range: from ½" to 2";
- Brass case and head (except for 50 mm 2" model with cast iron case and head);
- Range temperature = 4 ÷ 30°C;
- Max operating pressure = 16 bar;
- Constant K = 4 pulses/liter;
- 2m cable length (RG58), equipped with BNC connector;
- Reed contact with 109 closing operations;
- Max voltage 250 VAC, 200 VDC;
- Max current 1 A;
- Max power 10 VA.

Ref	Description	Gauge (Inch)	Fam.	Subfam.	Disp. Stock	
DG480	TURBINE PULSE EMITTER WATER METER W/WET DIAL 15 MM	½	30	170	•	
DG481	TURBINE PULSE EMITTER WATER METER W/WET DIAL 20 MM	¾	30	170	•	
DG482	TURBINE PULSE EMITTER WATER METER W/WET DIAL 25 MM	1	30	170	•	
DG483	TURBINE PULSE EMITTER WATER METER W/WET DIAL 30 MM	1¼	30	170	•	
DG484	TURBINE PULSE EMITTER WATER METER W/WET DIAL 40 MM	1½	30	170	•	
DG485	TURBINE PULSE EMITTER WATER METER W/WET DIAL 50 MM	2	30	170	•	
DG490	TURBINE PULSE EMITTER WATER METER W/DRY DIAL 15 MM	½	30	170		
DG491	TURBINE PULSE EMITTER WATER METER W/DRY DIAL 20 MM	¾	30	170		
DG492	TURBINE PULSE EMITTER WATER METER W/DRY DIAL 25 MM	1	30	170		
DG493	TURBINE PULSE EMITTER WATER METER W/DRY DIAL 30 MM	1¼	30	170		
DG494	TURBINE PULSE EMITTER WATER METER W/DRY DIAL 40 MM	1½	30	170		
DG495	TURBINE PULSE EMITTER WATER METER W/DRY DIAL 50 MM	2	30	170		

Certificates	Manufacturer	Sectors
	MWG	Commercial, Industrial

Accessories

- KDPV Kit, Signal Splitter.



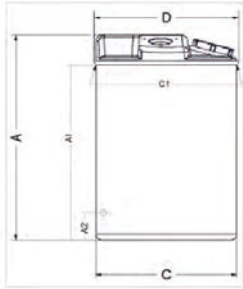
Ref	Description	Fam.	Subfam.	Disp. Stock	
DG467	KDPV KIT	30	170	•	

TURBINE PULSE EMITTER WATER METER

Certificates	Manufacturer	Sectors
	MWG	Commercial, Industrial



Dosing Systems



- Suitable to be assembled with dosing pumps on catalogue;
- Each dosing system consisting in:
 - nr.1 tank in polyethylene (HDPE) for chemical mixing;
 - nr.1 suction lances with o-ring in VITON (optional in EPDM);
 - nr.1 manual stirrer;
- All dosing station components assembled on are enclosed into tank diameter;
- Stirrers screwed on thread metal insert are tilted for better central mixing;
- Stainless Steel (AISI 316) fixing screws with rubber cap;
- With level indicator;
- Tanks can be assembled with:
 - -n r.1 metering pump (not included in the dosing system);
 - -nr.1 manual stirrer;
 - -nr.1 feed water valve;
 - -nr.1 outgassing pump hose;
 - -nr.1 outgassing valve (on the higher top side);
 - -nr.1 bleed water valve (on the lower side);
 - -nr.1 suction lance;
- Range temperature = 4 ÷ 40°C;
- On demand are available safety bunds.

Ref	Description	Fam.	Subfam.	Disp. Stock	
DG400	DOSING SYSTEM ASSEMBLY 50 LITERS W/OR VITON	30	170	•	
DG400A	DOSING SYSTEM ASSEMBLY 50 LITERS W/OR EPDM	30	170		
DG402	DOSING SYSTEM ASSEMBLY 120 LITERS W/OR VITON	30	170	•	
DG402A	DOSING SYSTEM ASSEMBLY 120 LITERS W/OR EPDM	30	170		
DG404	DOSING SYSTEM ASSEMBLY 250 LITERS W/OR VITON	30	170	•	
DG404A	DOSING SYSTEM ASSEMBLY 250 LITERS W/OR EPDM	30	170		

Ref	A (mm)	A1-Feed water valve height (mm)	C (mm)	C1 (mm)	D (mm)	Feed water (mm)
DG400	505	425	420	420	420	95
DG400A	505	425	420	420	420	95
DG402	735	650	475	485	495	650
DG402A	735	650	475	485	495	650
DG404	850	780	610	610	610	120
DG404A	850	780	610	610	610	120

Certificates	Manufacturer	Sectors
	MWG	Commercial, Industrial



Dosing Systems Spare Parts

Suction lances for dosing system



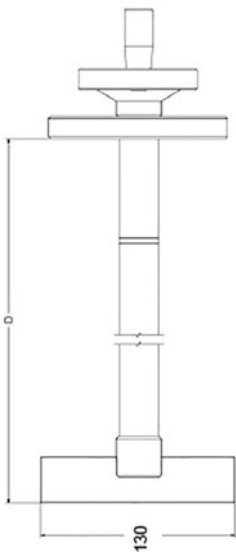
- For pumps up to 10 l/h;
- Level switch;
- Foot valve and foot filter;
- Adjustable height;
- 1 1/2" pipe fitting;
- Lateral output (1/2" fitting);
- PVC body.

Ref	Description	Fam.	Subfam.	Disp. Stock	
DG430	SUCTION LANCE L=63 CM W/OR VITON	30	170	•	
DG430A	SUCTION LANCE L=63 CM W/OR EPDM	30	170		
DG434	SUCTION LANCE L=108 CM W/OR VITON	30	170	•	
DG434A	SUCTION LANCE L=108 CM W/OR EPDM	30	170		

Ref	Dosing system	A (mm)	B (mm)
DG430	DG400 - DG402	630	740
DG430A	DG400A - DG402A	630	740
DG434	DG404	1080	1190
DG434A	DG404A	1080	1190

Certificates	Manufacturer	Sectors
	MWG	Commercial, Industrial

Manual stirrer for dosing system

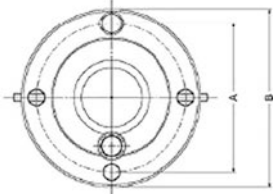


- PVC-U shaft;
- 2-blade impeller;
- Impeller diameter = 130 mm
- Holes diameter = 8,5 mm.

Ref	Description	Fam.	Subfam.	Disp. Stock	
DG440	MANUAL MIXER H=45 CM	30	170	•	
DG442	MANUAL MIXER H=65 CM	30	170	•	
DG444	MANUAL MIXER H=77 CM	30	170	•	

Ref	Dosing system	A (mm)	ø B (mm)	D (mm)	Holes number and position
DG440	DG400 DG400A	100	120	450	4 at 90°
DG442	DG402 DG402A	125	145	650	3 at 120°
DG444	DG404 DG404A	125	145	770	3 at 120°

Certificates	Manufacturer	Sectors
	MWG	Commercial, Industrial

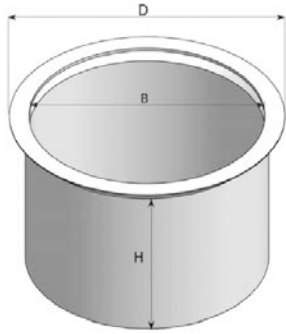




Dosing System Accessories

Safety bunds

- Material in polyethylene (HDPE), with reinforced collar for increasing security;
- Range temperature = 4 ÷ 40°C.



Ref	Description	Fam.	Subfam.	Disp. Stock	
DG410	SAFETY BUND FOR DOSING SYSTEM 50 LITERS	30	170		
DG412	SAFETY BUND FOR DOSING SYSTEM 120 LITERS	30	170		
DG414	SAFETY BUND FOR DOSING SYSTEM 250 LITERS	30	170		

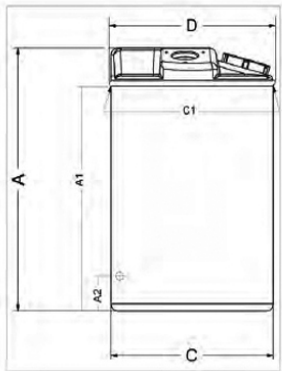
Ref	Volume (liters)	B (mm)	D (mm)	H (mm)
DG410	60	430	510	425
DG412	120	520	545	615
DG414	300	660	695	875

Certificates	Manufacturer	Sectors
	MWG	Commercial, Industrial

Dosing Systems Spare Parts

Tank for chemical

- Material in polyethylene (HDPE), suitable for chemical mixing;
- Tanks can be assembled with:
 - -nr.1 metering pump (not included in the dosing system);
 - -nr.1 manual stirrer;
 - -nr.1 feed water valve;
 - -nr.1 outgassing pump hose;
 - -nr.1 outgassing valve (on the higher top side);
 - -nr.1 bleed water valve (on the lower side);
 - -nr.1 suction lance;
- Range temperature = 4 ÷ 40°C.



Ref	Description	Fam.	Subfam.	Disp. Stock	
DG420	SPARE CONTAINER 50 LITERS	30	170	•	
DG422	SPARE CONTAINER 120 LITERS	30	170	•	
DG424	SPARE CONTAINER 250 LITERS	30	170	•	

Ref	Volume (litres)	A (mm)	A1 Feed water valve height (mm)	C (mm)	C1 (mm)	D (mm)
DG420	95	505	425	420	420	420
DG422	650	735	650	475	485	495
DG424	120	850	780	610	610	610

Certificates	Manufacturer	Sectors
	MWG	Commercial, Industrial