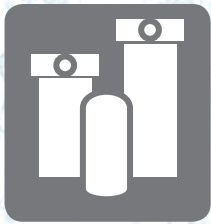


# EUROTROL®

WATER TREATMENT COMPONENTS



Filter housings,  
cartridges  
and polyphosphate  
feeders



## PP String Wound Filtering Cartridges

- string wound filtering cartridges with core;
- string and core in polypropylene;
- double/triple retention capacity than a compact structure cartridge;
- dimensions external diameter 60 mm, internal diameter 28 mm;
- nominal length 10" or 20";
- suggested filtering flow rate for 10" length: 18÷24 lpm;
- max filtering flow rate for 20" length : 30 lpm;
- max ΔP recommended 1 bar;
- max operating temperature = 60°C.

Ref	Description	Fam.	Subfam.		
FC100	MWG STRING WOUND CARTRIDGE DLSW-10-01 ( 9-7/8" )	40	100		
FC101	MWG STRING WOUND CARTRIDGE DLSW-10-05 (9-7/8")	40	100		
FC102	MWG STRING WOUND CARTRIDGE DLSW-10-10 (9-7/8")	40	100		
FC103	MWG STRING WOUND CARTRIDGE DLSW-10-20 (9-7/8")	40	100		
FC104	MWG STRING WOUND CARTRIDGE DLSW-10-50 (9-7/8")	40	100		
FC105	MWG STRING WOUND CARTRIDGE DLSW-10-100 (9-7/8")	40	100		
FC110	MWG STRING WOUND CARTRIDGE DLSW-20-01	40	100		
FC111	MWG STRING WOUND CARTRIDGE DLSW-20-05	40	100		
FC112	MWG STRING WOUND CARTRIDGE DLSW-20-10	40	100		
FC113	MWG STRING WOUND CARTRIDGE DLSW-20-20	40	100		
FC114	MWG STRING WOUND CARTRIDGE DLSW-20-50	40	100		
FC115	MWG STRING WOUND CARTRIDGE DLSW-20-100	40	100		

Ref	Lenght Nominal (inch)	Lenght (mm)	(micron)
FC100	10"	251	1
FC101	10"	251	5
FC102	10"	251	10
FC103	10"	251	20
FC104	10"	251	50
FC105	10"	251	100
FC110	20"	505	1
FC111	20"	505	5
FC112	20"	505	10
FC113	20"	505	20
FC114	20"	505	50
FC115	20"	505	100

Certificates	Manufacturer	Sectors
	<b>MWG</b>	Domestic, Commercial, Industrial





## Melt Blown Filtering Cartridges

- Thermowelded polypropylene fibers cartridges with no lubricants or antistatic additives;
- Any migration into the filtered water;
- Wide chemical compatibility;
- High retention capacity & filtration efficiency multilayer structure;
- Filtration efficiency 96 % minimum;
- High retention capacity extends cartridge life;
- External diameter 63 mm, internal 28 mm;
- Nominal length: 10" - 20" - 30" - 40".
- Suggested filtration flow rate for 10" length: 15 ÷ 20 lpm;
- Max filtration flow rate for 40" length: 60 lpm;
- Max ΔP recommended 1,4 bar;
- Max operating temperature = 80°C.

Ref	Description	Fam.	Subfam.		
FC050	MELT BLOWN CARTRIDGE DLPP-01-10 ( 9.7/8")	40	100		
FC051	MELT BLOWN CARTRIDGE DLPP-05-10 ( 9.7/8")	40	100		
FC052	MELT BLOWN CARTRIDGE DLPP-10-10 (9.7/8")	40	100		
FC053	MELT BLOWN CARTRIDGE DLPP-20-10 ( 9.7/8")	40	100		
FC054	MELT BLOWN CARTRIDGE DLPP-30-10 ( 9.7/8" )	40	100		
FC055	MELT BLOWN CARTRIDGE DLPP-50-10 ( 9.7/8")	40	100		
FC060	MELT BLOWN CARTRIDGE DLPP-01-20	40	100		
FC061	MELT BLOWN CARTRIDGE DLPP-05-20	40	100		
FC062	MELT BLOWN CARTRIDGE DLPP-10-20	40	100		
FC063	MELT BLOWN CARTRIDGE DLPP-20-20	40	100		
FC064	MELT BLOWN CARTRIDGE DLPP-30-20	40	100		
FC065	MELT BLOWN CARTRIDGE DLPP-50-20	40	100		
FC070	MELT BLOWN CARTRIDGE DLPP-01-30	40	100		
FC071	MELT BLOWN CARTRIDGE DLPP-05-30	40	100		
FC072	MELT BLOWN CARTRIDGE DLPP-10-30	40	100		
FC073	MELT BLOWN CARTRIDGE DLPP-20-30	40	100		
FC074	MELT BLOWN CARTRIDGE DLPP-30-30	40	100		
FC075	MELT BLOWN CARTRIDGE DLPP-50-30	40	100		
FC080	MELT BLOWN CARTRIDGE DLPP-01-40	40	100		
FC081	MELT BLOWN CARTRIDGE DLPP-05-40	40	100		
FC082	MELT BLOWN CARTRIDGE DLPP-10-40	40	100		
FC083	MELT BLOWN CARTRIDGE DLPP-20-40	40	100		
FC084	MELT BLOWN CARTRIDGE DLPP-30-40	40	100		
FC085	MELT BLOWN CARTRIDGE DLPP-50-40	40	100		





## Melt Blown Filtering Cartridges

Ref	Nominal Lenght (inch)	Lenght (mm)	Micron
FC050	10"	251	1
FC051	10"	251	5
FC052	10"	251	10
FC053	10"	251	20
FC054	10"	251	30
FC055	10"	251	50
FC060	20"	505	1
FC061	20"	505	5
FC062	20"	505	10
FC063	20"	505	20
FC064	20"	505	30
FC065	20"	505	50
FC070	30"	764	1
FC071	30"	764	5
FC072	30"	764	10
FC073	30"	764	20
FC074	30"	764	30
FC075	30"	764	50
FC080	40"	1018	1
FC081	40"	1018	5
FC082	40"	1018	10
FC083	40"	1018	20
FC084	40"	1018	30
FC085	40"	1018	50

Box: WxLxH	Box: Q.ty	Box: Weight	Pallet: WxLxH	Pallet: Q.ty	Pallet: Weight

Certificates	Manufacturer	Sectors
DM174-2004		Domestic, Commercial, Industrial



## PP Big Sediment Filter Cartridges

- melt-blown polypropylene fibers;
- dimensions 114 mm external diameter;
- dimensions 28 mm internal diameter.

Ref	Description	Fam.	Subfam.		
FA038	MELT BLOWN CARTRIDGE BIG DLPPBB-01-10 (9.7/8")	40	105		
FA034	MELT BLOWN CARTRIDGE BIG DLPPBB-05-10 (9.7/8")	40	105		
FA035	MELT BLOWN CARTRIDGE BIG DLPPBB-20-10 (9.7/8")	40	105		
FA036	MELT BLOWN CARTRIDGE BIG DLPPBB-50-10 (9.7/8")	40	105		
FA039	MELT BLOWN CARTRIDGE BIG DLPPBB-01-20	40	105		
FA028	MELT BLOWN CARTRIDGE BIG DLPPBB-05-20	40	105		
FA029	MELT BLOWN CARTRIDGE BIG DLPPBB-20-20	40	105		
FA037	MELT BLOWN CARTRIDGE BIG DLPPBB-50-20	40	105		

Ref	Nominal Length (inch)	Length (mm)	Micron
FA038	10"	251	1
FA034	10"	251	5
FA035	10"	251	20
FA036	10"	251	50
FA039	20"	508	1
FA028	20"	508	5
FA029	20"	508	20
FA037	20"	508	50

Box: WxLxH	Box: Q.ty	Box: Weight	Pallet: WxLxH	Pallet: Q.ty	Pallet: Weight

Certificates	Manufacturer	Sectors
DM174-2004		Domestic, Commercial, Industrial





## Purtrex Filtering Cartridges



- in melt-blown polypropylene fibers;
- any microfibers migration in filtered water;
- graduated density from external to internal side improves filter efficiency;
- high retention capacity extends cartridge life;
- external diameter 63 mm, internal 28 mm;
- nominal length 10" - 20" - 30" - 40".
- suggested filtration flow rate for 10" length: 15 ÷ 20 lpm;
- max filtration flow rate for 40" length: 60 lpm;
- max operating temperature = 80°C.

Ref	Description	Fam.	Subfam.		
FC010	PURTREX CARTRIDGE PX01-9.7/8"	40	100		
FC011	PURTREX CARTRIDGE PX03-9.7/8"	40	100		
FC012	PURTREX CARTRIDGE PX05-9.7/8"	40	100		
FC013	PURTREX CARTRIDGE PX10-9.7/8"	40	100		
FC014	PURTREX CARTRIDGE PX20-9.7/8"	40	100		
FC015	PURTREX CARTRIDGE PX30-9.7/8"	40	100		
FC016	PURTREX CARTRIDGE PX50-9.7/8"	40	100		
FC017	PURTREX CARTRIDGE PX75-9.7/8"	40	100		
FC020	PURTREX CARTRIDGE PX01-20"	40	100		
FC021	PURTREX CARTRIDGE PX03-20"	40	100		
FC022	PURTREX CARTRIDGE PX05-20"	40	100		
FC023	PURTREX CARTRIDGE PX10-20"	40	100		
FC024	PURTREX CARTRIDGE PX20-20"	40	100		
FC025	PURTREX CARTRIDGE PX30-20"	40	100		
FC026	PURTREX CARTRIDGE PX50-20"	40	100		
FC030	PURTREX CARTRIDGE PX01-30"	40	100		
FC031	PURTREX CARTRIDGE PX03-30"	40	100		
FC032	PURTREX CARTRIDGE PX05-30"	40	100		
FC033	PURTREX CARTRIDGE PX10-30"	40	100		
FC034	PURTREX CARTRIDGE PX20-30"	40	100		
FC035	PURTREX CARTRIDGE PX30-30"	40	100		
FC036	PURTREX CARTRIDGE PX50-30"	40	100		
FC040	PURTREX CARTRIDGE PX01-40"	40	100		
FC041	PURTREX CARTRIDGE PX03-40"	40	100		
FC042	PURTREX CARTRIDGE PX05-40"	40	100		
FC043	PURTREX CARTRIDGE PX10-40"	40	100		
FC044	PURTREX CARTRIDGE PX20-40"	40	100		
FC045	PURTREX CARTRIDGE PX30-40"	40	100		
FC046	PURTREX CARTRIDGE PX50-40"	40	100		



## Purtrex Filtering Cartridges

Ref	Nominal Length (inch)	Length (mm)	Micron
FC010	10"	251	1
FC011	10"	251	3
FC012	10"	251	5
FC013	10"	251	10
FC014	10"	251	20
FC015	10"	251	30
FC016	10"	251	50
FC017	10"	251	75
FC020	20"	508	1
FC021	20"	508	3
FC022	20"	508	5
FC023	20"	508	10
FC024	20"	508	20
FC025	20"	508	30
FC026	20"	508	50
FC030	30"	764	1
FC031	30"	764	3
FC032	30"	764	5
FC033	30"	764	10
FC034	30"	764	20
FC035	30"	764	30
FC036	30"	764	50
FC040	40"	1018	1
FC041	40"	1018	3
FC042	40"	1018	5
FC043	40"	1018	10
FC044	40"	1018	20
FC045	40"	1018	30
FC046	40"	1018	50

Box: WxLxH	Box: Q.ty	Box: Weight	Pallet: WxLxH	Pallet: Q.ty	Pallet: Weight

Certificates	Manufacturer	Sectors
FDA21 NSF42		Domestic, Commercial, Industrial



## Activated Carbon Filtering Cartridges

### Carbon Block End Cap 70

- Extruded activated carbon of Bituminous origin;
- Recommended for pre-filtration applications and for Chlorine removal;
- Dimensioni: external diameter = 64 mm; internal diameter = 28 mm; end-cap diameter = 70 mm.

Ref	Description	Fam.	Subfam.		
FA012	CARBON BLOCK CARTRIDGE CBC 5" CTO 1 MICRON	40	105		
FA013	CARBON BLOCK CARTRIDGE EB-CB -9"7/8 CTO 10 MICRON	40	105		
FA014	CARBON BLOCK CARTRIDGE CBC 20" CTO 10 MICRON	40	105		

Ref	Nominal Length (inch)	Length (mm)	Microns	Suggested Flow Rate (l/h)	CAP
FA012	5"	124	1	120	White
FA013	10"	250	10	240	White
FA014	20"	508	10	480	White

Box: WxLxH	Box: Q.ty	Box: Weight	Pallet: WxLxH	Pallet: Q.ty	Pallet: Weight

Certificates	Manufacturer	Sectors
DM174-2004		Domestic, Commercial, Industrial



### Carbon Block End Cap 65

- Extruded activated carbon of Bituminous origin;
- Recommended for pre-filtration applications and for Chlorine removal;
- Dimensions: external diameter = 62 mm; internal diameter = 30 mm; end-cap diameter = 65 mm.

Ref	Description	Fam.	Subfam.		
FA018	CARBON BLOCK CARTRIDGE 10" CTO 10 MICRON END CAP65	40	105		
FA019	CARBON BLOCK CARTRIDGE 20" CTO 10 MICRON END CAP65	40	105		

Ref	Nominal Length (inch)	Length (mm)	Micron	Suggested Flow Rate (l/h)	CAP
FA018	10"	249	10	240	White
FA019	20"	508	10	480	White

Box: WxLxH	Box: Q.ty	Box: Weight	Pallet: WxLxH	Pallet: Q.ty	Pallet: Weight

Certificates	Manufacturer	Sectors
DM174-2004		Domestic, Commercial, Industrial







## Activated Carbon Filtering Cartridges



### Big Carbon Block

- Bituminous carbon block.
- Suitable for pre-filtration applications and for Chlorine removal.
- Dimensions: external diameter = 108 mm (4 1/4"); internal diameter = 25 mm (1); end-cap diameter = 113 mm.

Ref	Description	Fam.	Subfam.		
FA016	CARBON BLOCK CARTRIDGE CBC 10" BIG CTO 5 MICRON	40	105		
FA015	CARBON BLOCK CARTRIDGE CBC 20" BIG CTO 5 MICRON	40	105		

Ref	Nominal Length (inch)	Length (mm)	Micron	Suggested Flow Rate(l/h)
FA016	10"	254	5	800
FA015	20"	508	5	1600

Box: WxLxH	Box: Q.ty	Box: Weight	Pallet: WxLxH	Pallet: Q.ty	Pallet: Weight

Certificates	Manufacturer	Sectors
DM174-2004		Domestic, Commercial, Industrial



### Granular activated carbon

- PE container cartridge empty or with granular activated carbon;
- external diameter 72 mm;
- nominal length 10";
- length 256 mm.

Ref	Description	Fam.	Subfam.		
FA007	GAC CARTRIDGE 10N 9" 7/8 VEGETAL	40	105		
FA008	EMPTY CARTRIDGE 10N 9" 7/8	40	105		

Box: WxLxH	Box: Q.ty	Box: Weight	Pallet: WxLxH	Pallet: Q.ty	Pallet: Weight

Certificates	Manufacturer	Sectors
		Domestic, Commercial, Industrial



## AISI 304 Cartridges for OTC Housings

### AISI 304 Cartridges for OTC 12 Housings

- washable;
- to install with washable cartridge filters OTC 12 on catalogue.



Ref	Description	Fam.	Subfam.		
FB221	WASHABLE CARTRIDGE NYLON 60 / 12	40	112		

Ref	Description	Filtration Degree (micron)
FB221	WASHABLE CARTRIDGE NYLON 60 / 12	60

Box: WxLxH	Box: Q.ty	Box: Weight	Pallet: WxLxH	Pallet: Q.ty	Pallet: Weight

Certificates	Manufacturer	Sectors
		Domestic, Commercial

### AISI 304 Cartridges for OTC 34 - 1 - 114 Housings

- washable;
- to install with:
  - washable cartridge filters OTC 34 - 1 - 114 on catalogue;
  - 10" hot water filters, except for nylon filtering cartridge REF. FB224.



Ref	Description	Fam.	Subfam.		
FB224	COMPLETE CARTRIDGE NYLON 60/34-1-114	40	112		
FB225	INOX CARTRIDGE 25/34-1-114	40	112		
FB228	INOX CARTRIDGE 60 / 34-1-114	40	112		
FB231	INOX CARTRIDGE 100/ 34 - 1 - 114	40	112		
FB234	INOX CARTRIDGE 200/ 34 - 1 - 114	40	112		
FB237	INOX CARTRIDGE 300/34 - 1 - 114	40	112		

Ref	Filtration Degree (micron)	Material
FB224	60	NYLON
FB225	25	AISI 304
FB228	60	AISI 304
FB231	100	AISI 304
FB234	200	AISI 304
FB237	300	AISI 304

Box: WxLxH	Box: Q.ty	Box: Weight	Pallet: WxLxH	Pallet: Q.ty	Pallet: Weight

Certificates	Manufacturer	Sectors
		Domestic, Commercial



### AISI 304 Cartridges for OTC 112 - 2 Housings

- washable;
- to install with washable cartridge filters OTC 112 - 2 on catalogue.

Ref	Description	Fam.	Subfam.		
FB226	INOX CARTRIDGE 25/112-2	40	112		
FB229	INOX CARTRIDGE 60 / 112-2	40	112		
FB232	INOX CARTRIDGE 100/ 112 - 2	40	112		
FB235	INOX CARTRIDGE 200/112 - 2	40	112		
FB238	INOX CARTRIDGE 300/112 - 2	40	112		

Ref	Filtration Degree (micron)	Material
FB226	25	AISI 304
FB229	60	AISI 304
FB232	100	AISI 304
FB235	200	AISI 304
FB238	300	AISI 304

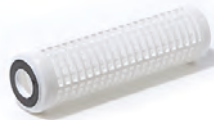
Box: WxLxH	Box: Q.ty	Box: Weight	Pallet: WxLxH	Pallet: Q.ty	Pallet: Weight

Certificates	Manufacturer	Sectors
		Domestic, Commercial

### Filtering Cartridges

#### DOE Polyester Filtering Cartridges for MT, MD & OTS Housings

- Washable, with filtration degree 50 micron;
- External diameter 70 mm, internal 30 mm;
- Max operating temperature 45°C.



Ref	Description	Fam.	Subfam.		
FARP1050	10" CARTRIDGE POLYESTER WASHABLE NET 50 MICRON	40	105		
FARP2050	20" CARTRIDGE POLYESTER WASHABLE NET 50 MICRON	40	105		

Ref	Nominal Length (pollici)	Length (mm)
FARP1050	10"	250
FARP2050	20"	505

Box: WxLxH	Box: Q.ty	Box: Weight	Pallet: WxLxH	Pallet: Q.ty	Pallet: Weight

Certificates	Manufacturer	Sectors
DM174-2004 ACS	<b>MWG</b>	Domestic



### DOE Nylon Filtering Cartridges for OTS Housings

- Washable, with filtration degree 60 micron;
- External diameter 62 mm, internal 27 mm.

Ref	Description	Fam.	Subfam.		
FA067	WASHABLE CARTRIDGE NYLON NL 60-9	40	105		
FA068	WASHABLE NYLON CARTRIDGE NL 60-20	40	105		

Ref	Nominal Length (pollici)	Length (mm)
FA067	10"	248
FA068	20"	505

Box: WxLxH	Box: Q.ty	Box: Weight	Pallet: WxLxH	Pallet: Q.ty	Pallet: Weight

Certificates	Manufacturer	Sectors
		Domestic, Commercial, Industrial



### OR22 Nylon Filtering Cartridges for OTS Housings

- Washable, with filtration degree 60 micron;
- To fit into OTS brass head housings 1 ¼" - 1 ½" - 2" models;
- External diameter 61 mm;
- With 222 O-rings;
- Max ΔP recommended 1,4 bar.

Ref	Description	Fam.	Subfam.		
FB067	WASHABLE NYLON CARTRIDGE 60 MICRON OTS 10" - OR22	40	105		
FB068	WASHABLE CARTRIDGE NYLON 60 MICRON OTS 20" - OR22	40	105		

Ref	Nominal Length (inch)	Length (mm)	Flow Δp=0,2 bar (l/h)
FB067	10"	250	1800
FB068	20"	505	3600

Box: WxLxH	Box: Q.ty	Box: Weight	Pallet: WxLxH	Pallet: Q.ty	Pallet: Weight

Certificates	Manufacturer	Sectors
DM174-2004 ACS		Domestic, Commercial



## Filtering Cartridges

FAAP1050 FAAL1070



### AISI 316 Filtering Cartridges for Hot Water Filter Housings

- Washable and suitable for Hot Water Filter Housings on catalog;
- Dimensions external diameter 70 mm, internal 30 mm;
- Length 250 mm and nominal length 10";
- max operating temperature 80°C.

Ref	Description	Fam.	Subfam.		
FAAL1070	AISI 316 SMOOTH CARTRIDGE 10"-70 MICRON	40	105		
FAAP1050	AISI 316 PLEATED CARTRIDGE 10"-50 MICRON	40	105		

Box: WxLxH	Box: Q.ty	Box: Weight	Pallet: WxLxH	Pallet: Q.ty	Pallet: Weight

Certificates	Manufacturer	Sectors
DM174-2004 ACS	<b>MWG</b>	Domestic, Commercial, Industrial



### Nylon Mesh Filtering Cartridge with PP Reinforcement

- Washable cartridge with closing rings;
- Filtration degree 60 micron;
- Dimensions external diameter 62 mm, internal 27 mm;
- Length 250 mm and nominal length 10";
- Nylon mesh spare (REF. FB222).

Ref	Description	Fam.	Subfam.		
FA060	WASHABLE NYLON CARTRIDGE CLA 60	40	105		

Box: WxLxH	Box: Q.ty	Box: Weight	Pallet: WxLxH	Pallet: Q.ty	Pallet: Weight

Certificates	Manufacturer	Sectors
		Domestic, Commercial, Industrial



### Wound Polypropylene Cartridge with AISI 316 Core for Hot Water Filters

- To install with our Hot Water Filters on catalogue;
- dimensions external diameter 60 mm, internal 27 mm;
- length 250 mm, nominal length 10";
- max operating temperature 80°C.

Ref	Description	Fam.	Subfam.		
FA071	STRING WOUND CARTRIDGE AISI 316 CORE DLSW5-975E	40	105		
FA072	STRING WOUND CARTRIDGE AISI 316 CORE DLSW 10-975E	40	105		
FA073	STRING WOUND CARTRIDGE AISI 316 CORE DLSW 20-975E	40	105		
FA074	STRING WOUND CARTRIDGE AISI 316 CORE DLSW 50-975E	40	105		

Ref	Description	Micron
FA071	STRING WOUND CARTRIDGE AISI 316 CORE DLSW5-975E	5
FA072	STRING WOUND CARTRIDGE AISI 316 CORE DLSW 10-975E	10
FA073	STRING WOUND CARTRIDGE AISI 316 CORE DLSW 20-975E	20
FA074	STRING WOUND CARTRIDGE AISI 316 CORE DLSW 50-975E	50

Certificates	Manufacturer	Sectors
		Domestic, Commercial, Industrial



## Filtering Cartridges

### Empty Cartridges



- plastic empty cartridge;
- external diameter 70 mm;
- useful to fill with polyphosphate crystals - activated carbon - resins.

Ref	Description	Fam.	Subfam.		
FAVP10	EMPTY CARTRIDGE 10"	40	105		
FAVP20	EMPTY CARTRIDGE 20"	40	105		

Ref	Nominal Length (inch)	Length (mm)	Volume (Liters)
FAVP10	10"	252	0,6
FAVP20	20"	510	1,2

Box: WxLxH	Box: Q.ty	Box: Weight	Pallet: WxLxH	Pallet: Q.ty	Pallet: Weight

Certificates	Manufacturer	Sectors
DM174-2004	<b>MWG</b>	Domestic

### Anti-scale Cartridges with Polyphosphate Crystals.



- Plastic cartridge;
- External diameter 70 mm;
- Shipped with polyphosphate crystals 10 ÷ 20 mm;
- Maximum temperature = 35°C;
- Maximum total hardness = 50°f (500 ppm CaCO<sub>3</sub>) ;
- The polyphosphate complies with the standard UNI EN 1208:2005.

Ref	Description	Fam.	Subfam.		
FAPP1012	MWG 10" CARTRIDGE WITH 10-20 MM POLYPH. CRYSTALS	40	105		
FAPP2012	MWG 10" CARTRIDGE WITH 10-20 MM POLYPH. CRYSTALS	40	105		

Ref	Nominal Length (inch)	Length (mm)
FAPP1012	10"	252
FAPP2012	20"	510

Box: WxLxH	Box: Q.ty	Box: Weight	Pallet: WxLxH	Pallet: Q.ty	Pallet: Weight

Certificates	Manufacturer	Sectors
	<b>MWG</b>	Domestic, Commercial, Industrial

### PP Melt Blown 5" Filtering Cartridge

- melt blown polypropylene fibers cartridge; dimensions external diameter 64 mm, internal 25 mm.

Ref	Description	Fam.	Subfam.		
FA021	IN FIBER CARTRIDGE PP 5" SED 5 MICRON	40	105		

Ref	Nominal Length (inch)	Length (mm)	Micron
FA021	5"	126	5

Box: WxLxH	Box: Q.ty	Box: Weight	Pallet: WxLxH	Pallet: Q.ty	Pallet: Weight

Certificates	Manufacturer	Sectors
		Domestic, Commercial, Industrial





## MM Mini Three Pieces Filter Housings



- Made in European Union (Italy);
- Suitable for MINI filtering cartridges 5" length;
- Head and nut material ABS blue colour;
- IN/OUT connections 1/2" with brass inserts;
- Sump in SAN clear and O-ring in EPDM material;
- Max operating pressure 8 bar;
- Temperature range = 4 ÷ 45°C.

Ref	Description	Fam.	Subfam.		
FBMM0505T	MINI FILETR HOUSING 1/2" - L=5" CLEAR BOWL	40	106		

Box: WxLxH	Box: Q.ty	Box: Weight	Pallet: WxLxH	Pallet: Q.ty	Pallet: Weight

Certificates	Manufacturer	Sectors
DM174-2004 DM25-2012 ACS	<b>MWG</b>	Domestic, Commercial

## Cartridges to coupling, MINI Wound PP Thread Filtering Cartridge



- Filtering degree 25 micron;
- Dimensions external diameter 45 mm, internal 18 mm;
- Length 5" (= 122 mm).

Ref	Description	Fam.	Subfam.		
FAMM0525	5" MINI CARTRIDGE PP WOUND THREAD 25 MICRON	40	105		

Box: WxLxH	Box: Q.ty	Box: Weight	Pallet: WxLxH	Pallet: Q.ty	Pallet: Weight

Certificates	Manufacturer	Sectors
DM174-2004 ACS	<b>MWG</b>	Domestic

## Washable MINI Filtering Cartridge with Net in Polyester



- Washable MINI cartridge in Polyester;
- Filtering degree 50 micron;
- Dimensions external diameter 50 mm, internal 20 mm;
- Length 5" (= 122 mm).

Ref	Description	Fam.	Subfam.		
FAMM0550	5" MINI CARTRIDGE POLYESTER WASHABLE NET 50 MICRO	40	105		

Box: WxLxH	Box: Q.ty	Box: Weight	Pallet: WxLxH	Pallet: Q.ty	Pallet: Weight

Certificates	Manufacturer	Sectors
DM174-2004 ACS	<b>MWG</b>	Domestic

## Accessories

Ref	Description	Fam.	Subfam.		
FBMMR11	PLASTIC SPANNER FOR FILTER MM	40	106		
FBMMR41	DIFFUSER TUBE 5" FOR FILTER MM	40	106		
FBMDR31	PLASTIC NIPPLE 3/4" BSPP W/O-RING FOR FILTER MD/MM/MT	40	106		



## Residential Cintropur Filters



- range of filters for drinking water entirely made in synthetic material;
- the particular centrifugal effect causes the precipitation of larger particles, while the final filtration is assured by the filter sleeve;
- the filters include the sleeve at 25 micron;
- also available sleeves at 1, 10, 50 and 100 micron as spare parts;
- wrench and two complete connections included;
- max operating pressure 10 bar;
- max operating temperature 50°C.

Ref	Description	Fam.	Subfam.		
FB400	FILTER CINTROPUR NW18-3/4" - 25 MICRON	40	113		
FB401	FILTER CINTROPUR NW 25-3/4" - 25 MICRON	40	113		
FB402	FILTER CINTROPUR NW 25-1" - 25 MICRON	40	113		
FB403	FILTER CINTROPUR NW 32-1"1/4 - 25 MICRON	40	113		

Ref	Connections	Flow m <sup>3</sup> /h Δp 0,2 bar	Height (mm)	Width (mm)
FB400	3/4"	3,5	240	270
FB401	3/4"	5,5	355	270
FB402	1"	5,5	355	270
FB403	1 1/4"	6,5	540	270

Box: WxLxH	Box: Q.ty	Box: Weight	Pallet: WxLxH	Pallet: Q.ty	Pallet: Weight

Certificates	Manufacturer	Sectors
DM174-2004 ACS	Cintropur	Domestic, Commercial

### Accessories and spare parts

Ref	Description	Fam.	Subfam.		
FB470	SPANNER NW18/25/32 REF. 21	40	112		
FB471	DRINE BALL VALVE 1/4" NW 18/25/32 REF 22	40	112		
FB472	MANOMETER 1/8" SCALE 0-10 BAR NW 18/25/32 REF 23	40	112		
FB473	SINGLE PP MOUNTING BRACKET NW18/25/32 REF. 24	40	112		
FB420	N. 5 SPARE SLEEVES KIT 5 MICRONS NW 18	40	112		
FB421	N. 5 SPARE SLEEVES KIT 10 MICRONS NW 18	40	112		
FB422	N. 5 SPARE SLEEVES KIT 25 MICRONS NW 18	40	112		
FB423	N. 5 SPARE SLEEVES KIT 50 MICRONS NW 18	40	112		
FB424	N. 5 SPARE SLEEVES KIT 100 MICRONS NW 18	40	112		
FB444	N. 5 SPARE SLEEVES KIT 1 MICRON NW 25	40	112		
FB426	N. 5 SPARE SLEEVES KIT 10 MICRONS NW 25	40	112		
FB427	N. 5 SPARE SLEEVES KIT 25 MICRONS NW 25	40	112		
FB428	N. 5 SPARE SLEEVES KIT 50 MICRONS NW 25	40	112		
FB429	N. 5 SPARE SLEEVES KIT 100 MICRONS NW 25	40	112		
FB445	N. 5 SPARE SLEEVES KIT 1 MICRON NW 32	40	112		
FB432	N. 5 SPARE SLEEVES KIT 10 MICRONS NW 32	40	112		
FB433	N. 5 SPARE SLEEVES KIT 25 MICRONS NW 32	40	112		
FB434	N. 5 SPARE SLEEVES KIT 50 MICRONS NW 32	40	112		
FB435	N. 5 SPARE SLEEVES KIT 100 MICRONS NW 32	40	112		





## Commercial Cintropur Filters



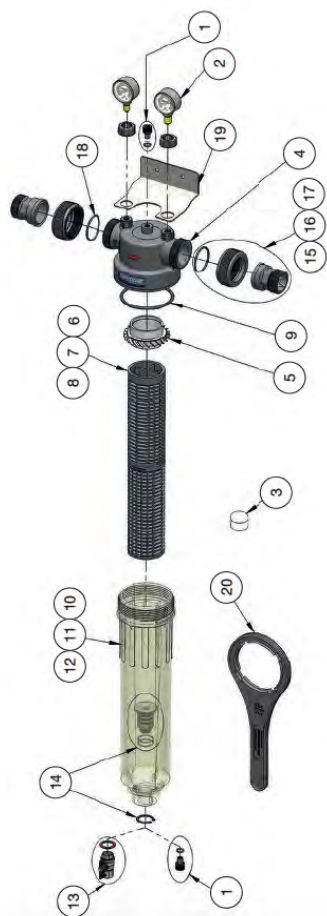
- range of filters for drinking water entirely made in synthetic material;
- the particular centrifugal effect causes the precipitation of larger particles, while the final filtration is assured by the filter sleeve;
- the filters include the sleeve at 25 micron;
- also available sleeves at 1, 5, 10, 50, 100, 150 and 300 micron as spare parts;
- wrench, pressure gauge and drain cock included;
- max operating pressure 10 bar;
- max pressure 16 bar;
- max operating temperature 50°C.

Ref	Description	Fam.	Subfam.		
FB404	FILTER CINTROPUR NW 280-1" - 25 MICRON	40	113		
FB405	FILTER CINTROPUR NW 340-1"1/4 - 25 MICRON	40	113		
FB406	FILTER CINTROPUR NW 400-1,5" - 25 MICRON	40	113		

Ref	Flow m <sup>3</sup> /h Δp 0,2 bar	Weight (kg)	Connections	Ø Pipe	Total Width (mm)	Total Height (mm)
FB404	7	2,2	1" BSPT	1"	284	472
FB405	10	2,7	1¼"BSPT	1 ¼"	284	573
FB406	12	2,9	1½"BSPT	1 ½"	284	675

Box: WxLxH	Box: Q.ty	Box: Weight	Pallet: WxLxH	Pallet: Q.ty	Pallet: Weight

Certificates	Manufacturer	Sectors
DM174-2004 ACS	Cintropur	Commercial



Rif.	Ref	Description	Fam.	Subfam.		
1	FB487C	NW280/340/400 AIR VALVE KIT (WITH O-RING)	40	112		
2	FB492C	NW280/340/400/500/650/800 1/4" PRESSURE GAUGE 0÷20 BAR	40	112		
3	FB450C	GREASE FOR O-RING (20G)	40	112		
4	FB480C	NW280/340/400 FILTER HEAD	40	112		
5	FB483C	NW280/340/400 CENTRIFUGAL VANE	40	112		
6	FB452C	NW280 PVC FILTERING SUPPORT ARMOR	40	112		
7	FB453C	NW340 PVC FILTERING SUPPORT ARMOR	40	112		
8	FB454C	NW400 PVC FILTERING SUPPORT ARMOR	40	112		
9	FB486C	NW280/340/400 HEAD O-RING	40	112		
10	FB465C	NW280 CLEAR BOWL	40	112		
11	FB488C	NW340 CLEAR BOWL	40	112		
12	FB489C	NW400 CLEAR BOWL	40	112		
13	FB471C	NW280/340/400 DRAIN COCK 1/2" + GASKET	40	112		
14	FB491C	NW280/340/400 DRAIN VALVE ADAPTER + 2 O-RING + CLIPS	40	112		
15	FB494C	NW280 SET OF 2 COMPLETE COUPLINGS 1" M	40	112		
16	FB495C	NW340 SET OF 2 COMPLETE COUPLINGS 1 1/4" M	40	112		
17	FB496C	NW400 SET OF 2 COMPLETE COUPLINGS 1 1/2" M	40	112		
18	FB499C	O-RING FOR NW280/340/400 CONNECTIONS	40	112		
19	FB497C	NW280/340/400 WALL BRACKET IN STAINLESS STEEL	40	112		
20	FB479C	NW280/340/400 WRENCH	40	112		
Not sh.	FB444C	N. 5 SPARE SLEEVES KIT 1 MICRON NW 280	40	112		
Not sh.	FB437C	N. 5 SPARE SLEEVES KIT 5 MICRON NW 280	40	112		
Not sh.	FB438C	N. 5 SPARE SLEEVES KIT 10 MICRON NW 280	40	112		
Not sh.	FB439C	N. 5 SPARE SLEEVES KIT 25 MICRON NW 280	40	112		
Not sh.	FB440C	N. 5 SPARE SLEEVES KIT 50 MICRON NW 280	40	112		
Not sh.	FB441C	N. 5 SPARE SLEEVES KIT 100 MICRON NW 280	40	112		
Not sh.	FB442C	N. 5 SPARE SLEEVES KIT 150 MICRON WASHABLE NW 280	40	112		
Not sh.	FB443C	N. 5 SPARE SLEEVES KIT 300 MICRON WASHABLE NW 280	40	112		
Not sh.	FB444D	N. 5 SPARE SLEEVES KIT 1 MICRON NW 340	40	112		
Not sh.	FB437D	N. 5 SPARE SLEEVES KIT 5 MICRON NW 340	40	112		
Not sh.	FB438D	N. 5 SPARE SLEEVES KIT 10 MICRON NW 340	40	112		
Not sh.	FB439D	N. 5 SPARE SLEEVES KIT 25 MICRON NW 340	40	112		
Not sh.	FB440D	N. 5 SPARE SLEEVES KIT 50 MICRON NW 340	40	112		
Not sh.	FB441D	N. 5 SPARE SLEEVES KIT 100 MICRON NW 340	40	112		
Not sh.	FB442D	N. 5 SPARE SLEEVES KIT 150 MICRON WASHABLE NW 340	40	112		
Not sh.	FB443D	N. 5 SPARE SLEEVES KIT 300 MICRON WASHABLE NW 340	40	112		
Not sh.	FB444E	N. 5 SPARE SLEEVES KIT 1 MICRON NW 400	40	112		
Not sh.	FB437E	N. 5 SPARE SLEEVES KIT 5 MICRON NW 400	40	112		
Not sh.	FB438E	N. 5 SPARE SLEEVES KIT 10 MICRON NW 400	40	112		
Not sh.	FB439E	N. 5 SPARE SLEEVES KIT 25 MICRON NW 400	40	112		
Not sh.	FB440E	N. 5 SPARE SLEEVES KIT 50 MICRON NW 400	40	112		
Not sh.	FB441E	N. 5 SPARE SLEEVES KIT 100 MICRON NW 400	40	112		
Not sh.	FB442E	N. 5 SPARE SLEEVES KIT 150 MICRON WASHABLE NW 400	40	112		
Not sh.	FB443E	N. 5 SPARE SLEEVES KIT 300 MICRON WASHABLE NW 400	40	112		



## Industrial Cintropur Filters



- range of filters for drinking water entirely made in synthetic material;
- the particular centrifugal effect causes the precipitation of larger particles, while the final filtration is assured by the filter sleeve;
- the filters include the sleeve at 25 micron;
- also available sleeves at 5, 10, 50, 100, 150 and 300 micron as spare parts;
- wrench, pressure gauge and drain cock included;
- max operating pressure 10 bar;
- max pressure 16 bar;
- max operating temperature 50°C.

Ref	Description	Fam.	Subfam.		
FB408A	FILTER CINTROPUR NW 500-2" - 25 MICRON	40	113		
FB408TE	FILTER CINTROPUR NW 500 - 2" - TE	40	113		
FB409A	FILTER CINTROPUR NW 650-2"1/2 - 25 MICRON	40	113		
FB410A	FILTER CINTROPUR NW 800-3" - 25 MICRON	40	113		

Ref	Flow m <sup>3</sup> /h con Δp 0,2 bar	Weight (kg)	Connections	Ø Pipe	Total Height (mm)	Total Width (mm)
FB408A	18	6,4	2" BSPT	2"	363	770
FB408TE	2	6,4	2" BSPT	2"	363	770
FB409A	25	7,0	DN65	2 1/2"	304	770
FB410A	32	7,4	DN80	3"	313	770

Box: WxLxH	Box: Q.ty	Box: Weight	Pallet: WxLxH	Pallet: Q.ty	Pallet: Weight

Certificates	Manufacturer	Sectors
DM174-2004 ACS	Cintropur	Commercial, Industrial



## Industrial Cintropur Filters

### Spare Parts and Accessories



Rif. N.	Ref	Description	Fam.	Subfam.		
33	FB487	PURGE/DRAIN FITTING KIT W/O-RING NW50/62/75/500/650/800 REF. 33	40	112		
50	FB480A	FILTER HEAD NW500/650 REF. 50	40	112		
51	FB482A	FILTER HEAD NW800 REF. 51	40	112		
52	FB483A	TURBINE + FIXING SCREW NW500/650/800 REF. 52	40	112		
53	FB484A	SUPPORT ARMOR NW500/650/800 REF.53	40	112		
54	FB485A	CARTRIDGE CLOSURE CAP NW500/650/800 REF.54	40	112		
55	FB486A	HEAD O-RING NW500/650/800 REF. 55	40	112		
56	FB488A	TRANSPARENT BOWL NW500/650/800 REF. 56	40	112		
58	FB489A	BLACK BOWL NW500/650/800 REF. 58	40	112		
59	FB490A	DIFFUSER KIT NW500/650/800 REF. 59	40	112		
60	FB491A	DRAIN VALVE ADAPTER W/O-RING NW500/650/800 REF. 6	40	112		
61	FB491B	DRAIN BALL VALVE 3/4" NW500/650/800 REF. 61	40	112		
62	FB479	SPANNER NW500/650/800 REF. 62	40	112		
63	FB494A	KIT PLASTIC NUT + 2" MALE MANIFOLD NW500 REF. 63	40	112		
64	FB495A	KIT PLASTIC MANIFOLD FLANGE DN65 NW650 REF. 64	40	112		
65	FB496A	KIT PLASTIC MANIFOLD FLANGE DN80 NW800 REF. 65	40	112		
66	FB497A	SINGLE S.S MOUNTING BRACKET NW500/650/800 REF. 66	40	112		
69	FB492C	NW280/340/400/500/650/800 1/4" PRESSURE GAUGE 0÷20 BAR	40	112		
70	FB499	MANIFOLD O-RING CONNECTIONS NW500/650 REF. 70	40	112		
71	FB499A	MANIFOLD O-RING CONNECTIONS NW800 REF. 71	40	112		
Not shown	FB498	EPDM PLANE GASKET DN65 NW650 REF. 67	40	112		
Not shown	FB498A	EPDM PLANE GASKET DN80 NW650 REF. 68	40	112		
Not shown	FB437	N. 5 SPARE SLEEVES KIT 5 MICRONS NW 50/62/75/500/650/800	40	112		
Not shown	FB438	N. 5 SPARE SLEEVES KIT 10 MICRONS NW 50/62/75/500/650/800	40	112		
Not shown	FB439	N. 5 SPARE SLEEVES KIT 25 MICRONS NW 50/62/75/500/650/800	40	112		
Not shown	FB440	N. 5 SPARE SLEEVES KIT 50 MICRONS NW 50/62/75/500/650/800	40	112		
Not shown	FB441	N. 5 SPARE SLEEVES KIT 100 MICRONS NW 50/62/75/500/650/800	40	112		
Not shown	FB442	N. 5 SPARE SLEEVES KIT WASHABLE 150 MICRONS NW 50/62/75/500/650/800	40	112		
Not shown	FB443	N. 5 SPARE SLEEVES KIT WASHABLE 300 MICRONS NW 50/62/75/500/650/800	40	112		



## MD Two Pieces Filter Housings IN/OUT connections 3/4"



- Made in European Union (Italy);
- Two pieces filter housings for standard filtering cartridges length 5", 10" or 20";
- Fixable head in material PP reinforced blue colour;
- Sump in PET;
- O-ring in EPDM;
- IN/OUT connections 3/4" BSPP F;
- With air valve;
- Max operating pressure 8 bar;
- Temperature 4 ÷ 45°C.

Ref	Description	Fam.	Subfam.		
FBMD0507B	TWO PIECES FILTER HOUSING 3/4" - L=5" BLUE BOWL	40	106		
FBMD1007T	TWO PIECES FILTER HOUSING 3/4" - L=10" CLEAR BOWL	40	106		
FBMD1007B	TWO PIECES FILTER HOUSING 3/4" - L=10" BLUE BOWL	40	106		
FBMD2007T	TWO PIECES FILTER HOUSING 3/4" - L=20" CLEAR BOWL	40	106		
FBMD2007B	TWO PIECES FILTER HOUSING 3/4" - L=20" BLUE BOWL	40	106		

Ref	Head Dimension (mm)	Total Length (mm)
FBMD0507B	122	185
FBMD1007T	122	325
FBMD1007B	122	325
FBMD2007T	122	577
FBMD2007B	122	577

Box: WxLxH	Box: Q.ty	Box: Weight	Pallet: WxLxH	Pallet: Q.ty	Pallet: Weight

Certificates	Manufacturer	Sectors
DM174-2004 DM25-2012 ACS	<b>MWG</b>	Domestic, Commercial

### Spare Parts and Accessories

Ref	Description	Fam.	Subfam.		
FBMDR11	PLASTIC SPANNER FOR FILTER MD	40	106		
FBMDR21	BLUE PLASTIC BRACKET WITH SCREWS FOR FILTER MD AND MT	40	106		
FBMDR31	PLASTIC NIPPLE 3/4" BSPP W/O-RING FOR FILTER MD/MM/MT	40	106		
FBMDR52	BLUE HEAD FOR MD 3/4" BSPP FILTER HOUSING	40	106		
FBMDR61	BOWL BLUE 10" FOR MD FILTER HOUSINGS + O-RING	40	106		
FBMDR62	BOWL CLEAR 10" FOR MD FILTER HOUSINGS + O-RING	40	106		
FBMDR65	BOWL BLUE 20" FOR MD FILTER HOUSINGS + O-RING	40	106		
FBMDR66	BOWL CLEAR 20" FOR MD FILTER HOUSINGS + O-RING	40	106		
FBMDR71	O-RING FOR HEAD MD FILTER HOUSINGS	40	106		
FBMDR91	BREATH-VALVE WITH O-RING FOR HEAD MD FILTER HOUSING	40	106		



## BG Plastic BIG Filter Housings



- Made in European Union (Italy);
- Suitable for 4 1/2" diameter DOE high flow cartridges;
- Fixable head;
- Material in PP;
- O-ring in EPDM;
- complete with air valve
- Max operating pressure 8,3 bar;
- Temperature 4 ÷ 45°C;
- IN/OUT connections BSPP;
- With plastic wrench (ref. FBBGR11).

Ref	Description	Fam.	Subfam.		
FBBG1010B	FILTER HOUSING BIG L=10" -1" BLUE BOWL WITH KEY	40	106		
FBBG1015B	FILTER HOUSING BIG L=10" 1 1/2" BLUE BOWL WITH KE	40	106		
FBBG2010B	FILTER HOUSING BIG L=20" - 1" BLUE BOWL WITH KEY	40	106		
FBBG2015B	FILTER HOUSING BIG L=20" - 1 1/2" BLUE BOWL WITH KEY	40	106		

Ref	In/Out Connection (inch)	Head Dimension (mm)	Total Length (mm)
FBBG1010B	1" F	190	360
FBBG1015B	1 1/2" F	190	360
FBBG2010B	1" F	190	617
FBBG2015B	1 1/2" F	190	617

Certificates	Manufacturer	Sectors
DM174-2004 DM25-2012	<b>MWG</b>	Domestic, Commercial

Ref	Description	Fam.	Subfam.		
FBBGR11	SPANNER FOR FILTER BG	40	106		

Box: WxLxH	Box: Q.ty	Box: Weight	Pallet: WxLxH	Pallet: Q.ty	Pallet: Weight

### Cartridges to coupling

- BIG PP microfiber filtering cartridges;
- BIG CARBON BLOCK filtering cartridges.

### Spare Parts and Accessories

Ref	Description	Fam.	Subfam.		
FBBGR11	SPANNER FOR FILTER BG	40	106		
FBBGR21	S.S. PAINTED MOUNTING BRACKET FOR FILTER BG	40	106		
FBBGR31	NR. 2 BRASS NIPPLES 1" W/O-RING FOR FILTER BG/MT	40	106		
FBBGR51	HEAD FOR BG 1" FILTER HOUSING	40	112		
FBBGR52	HEAD FOR BG 1 1/2" FILTER HOUSING	40	112		
FBBGR61	BOWL BLUE 10" FOR BG FILTER HOUSING	40	112		
FBBGR71	O-RING FOR HEAD BG FILTER HOUSINGS	40	112		



## MT Three Pieces Filter Housings

- Made in European Union (Italy);
- Three pieces filter housings for standard filtering cartridges length 10" or 20";
- Fixable head and nut in material PP reinforced blue colour; Sump in PET; O-ring in EPDM;
- IN/OUT connections BSPP F 1/2", 3/4" or 1", with brass inserts; With air valve;
- Max operating pressure 8 bar; Temperature 4 ÷ 45°C;
- **WARNING! FA064A and FA068 cartridges are not suitable for this housing.**

Ref	Description	Fam.	Subfam.		
FBMT1005T	THREE PIECES FILTER HOUSING 1/2" - L=10" CLEAR BOWL	40	106		
FBMT1007T	THREE PIECES FILTER HOUSING 3/4" - L=10" CLEAR BOWL	40	106		
FBMT1007B	THREE PIECES FILTER HOUSING 3/4" - L=10" BLUE BOWL	40	106		
FBMT1010T	THREE PIECES FILTER HOUSING 1" - L=10" CLEAR BOWL	40	106		
FBMT1010B	THREE PIECES FILTER HOUSING 1" - L=10" BLUE BOWL	40	106		
FBMT2005T	THREE PIECES FILTER HOUSING 1/2" - L=20" CLEAR BOWL	40	106		
FBMT2007T	THREE PIECES FILTER HOUSING 3/4" - L=20" CLEAR BOWL	40	106		
FBMT2010T	THREE PIECES FILTER HOUSING 1" - L=20" CLEAR BOWL	40	106		
FBMT2010B	THREE PIECES FILTER HOUSING 1" - L=20" BLUE BOWL	40	106		

Ref	Connections (inch)	Head Dimension (mm)	Total Length (mm)
FBMT1005T	1/2"	133	315
FBMT1007T	3/4"	133	315
FBMT1007B	3/4"	133	315
FBMT1010T	1"	145	321
FBMT1010B	1"	145	321
FBMT2005T	1/2"	133	571
FBMT2007T	3/4"	133	571
FBMT2010T	1"	145	577
FBMT2010B	1"	145	577

Box: WxLxH	Box: Q.ty	Box: Weight	Pallet: WxLxH	Pallet: Q.ty	Pallet: Weight

Certificates	Manufacturer	Sectors
DM174-2004 DM25-2012 ACS	<b>MWG</b>	Domestic, Commercial

### Spare Parts and Accessories

Ref	Description	Fam.	Subfam.		
FBMTR11	PLASTIC SPANNER FOR FILTER MT	40	106		
FBMTR41	DIFFUSER TUBE 10" FOR FILTER MT	40	106		
FBMTR51	HEAD FOR MT 3/4" FILTER HOUSING	40	106		
FBMTR52	HEAD FOR MT 1" FILTER HOUSING	40	106		
FBMTR61	BOWL BLU 10" FOR MT FILTER HOUSINGS+O-RING	40	106		
FBMTR62	BOWL CLEAR 10" FOR MT FILTER HOUSINGS+O-RING	40	106		
FBMTR66	BOWL CLEAR 20" FOR MT FILTER HOUSINGS + O-RING	40	106		
FBMTR71	O-RING FOR HEAD MT FILTER HOUSINGS	40	106		
FBMTR81	NUT FOR MT FILTER HOUSINGS	40	106		
FBMDR21	BLUE PLASTIC BRACKET WITH SCREWS FOR FILTER MD AND MT	40	106		
FBMDR31	PLASTIC NIPPLE 3/4" BSPP W/O-RING FOR FILTER MD/MM/MT	40	106		
FBBGR31	NR. 2 BRASS NIPPLES 1" W/O-RING FOR FILTER BG/MT	40	106		
FBMTR91	BLUE BREATHER-VALVE WITH O-RING FOR HEAD MT FILTER HOUSING	40	106		



## MD, DD and TD two Pieces Filter Housings IN/OUT connections 1/4" for R.O. Systems



FBMD1002T



FBMD1002W



FBDD1002W



FBTD1002W

- Made in European Union (Italy);
- Suitable for residential R.O. and filtration systems;
- Two pieces filter housings for standard filtering cartridges length 10"
- Total height 325 mm;
- Fixable head (single, double or triplex) in material PP reinforced white colour;
- Sump in PET clear or white, O-ring in EPDM;
- IN/OUT connections 1/4" BSPP F;
- With air valve;
- Max operating pressure 8 bar, temperature 4 ÷ 45°C;
- Designed for the following single, double or triple brackets (also ideal for 2 + 1 application), with fixing screws.

Ref	Description	Fam.	Subfam.		
FBMD1002T	TWO PIECES FILTER HOUSING 1/4" - L=10" CLEAR BOWL	30	175		
FBMD1002W	TWO PIECES FILTER HOUSING 1/4" - L=10" WHITE BOWL	30	175		
FBDD1002W	TWO PIECES TWO FILTER HOUSING L=10" - 1/4" WHITEBOWL	30	175		
FBTD1002W	TWO PIECES THREE FILTER HOUSING L=10" - 1/4" WHITE BOWL	30	175		

Ref	Cartridge Length (inch)	Head Dimension (mm)
FBMD1002T	Single	122
FBMD1002W	Single	122
FBDD1002W	Duplex	228
FBTD1002W	Triplex	336

Ref	Box: WxLxH.	Box: Q.ty	Box: Weight.	Pallet: WxLxH.	Pallet: Q.ty	Pallet: Weight.
FBMD1002T						
FBMD1002W						
FBDD1002W						
FBTD1002W						

Certificates	Manufacturer	Sectors
DM174-2004 DM25-2012 ACS	<b>MWG</b>	Domestic, Commercial

### Spare Parts and Accessories

Ref	Description	Fam.	Subfam.		
FBMDR11	PLASTIC SPANNER FOR FILTER MD	40	106		
FBMDR22	WHITE PLASTIC BRACKET WITH SCREWS FOR MD AND MT FILTER HOUSINGS	30	175		
FBMDR24	WHITE BRACKET WITH SCREWS FOR DD AND DT TWO FILTER HOUSINGS	30	175		
FBMDR26	WHITE BRACKET WITH SCREWS FOR TD AND TT THREE FILTER HOUSINGS	30	175		
FBMDR51	WHITE HEAD FOR MD 1/4" NPT FILTER HOUSING	40	106		
FBMDR62	BOWL CLEAR 10" FOR MD FILTER HOUSINGS + O-RING	40	106		
FBMDR71	O-RING FOR HEAD MD FILTER HOUSINGS	40	106		





## Self Cleaning Filters



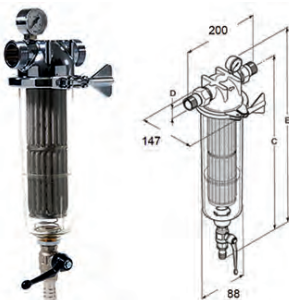
- range of sediment self clearing filters, chrome plated brass head and trogamid sump, with pleated AISI 304 cartridge at 100 micron (on request available also at 25, 60, 200 and 300 micron);
- complete with manometer on inlet;
- opening the drain valve, a depression is created inside the sump, that lowers the cartridge and reverts the clearing water flow. Closing the valve, the cartridge rises and places the filter in service again. Repeat the action 4-5 times for about 10 seconds each time;
- easy cartridge disassembly in case of inspection or replacement;
- IN/OUT connections 1/2" F;
- max operating pressure 16 bar;
- temperature 0 ÷ 40° C;
- max ΔP recommended 1 bar.

Ref	Description	Fam.	Subfam.		
FB210B	AOTC-12 FILTER BRASS WITH INOX CARTRIDGE 100	40	109		

Ref	In-Out Connections	Flow a Δp=0,2 bar (l/h)
FB210B	1/2" F	1500

Box: WxLxH	Box: Q.ty	Box: Weight	Pallet: WxLxH	Pallet: Q.ty	Pallet: Weight

Certificates	Manufacturer	Sectors
DM174-2004	<b>MWG</b>	Domestic, Commercial



Ref	Description	Fam.	Subfam.		
FB211B	AOTC-34 FILTER BRASS WITH INOX CARTRIDGE 100	40	109		
FB212B	AOTC-1 FILTER BRASS WITH INOX CARTRIDGE 100	40	109		
FB213B	AOTC-114 FILTER BRASS WITH INOX CARTRIDGE 100	40	109		

Ref	C	D In-Out Connections Gas	E	Flow Δp=0,2 bar (l/h)
FB211B	365	3/4"	460	3000
FB212B	365	1"	460	3500
FB213B	375	1 1/4"	470	4500

Box: WxLxH	Box: Q.ty	Box: Weight	Pallet: WxLxH	Pallet: Q.ty	Pallet: Weight

Certificates	Manufacturer	Sectors
DM174-2004	<b>MWG</b>	Domestic, Commercial



- max operating pressure 10 bar; temperature 0 ÷ 40°C;
- max ΔP recommended 1 bar.

Ref	Description	Fam.	Subfam.		
FB214B	AOTC-112 FILTER BRASS WITH INOX CARTRIDGE 100	40	109		
FB215B	AOTC-2 FILTER BRASS WITH INOX CARTRIDGE 100	40	109		

Ref	D In-Out Connections Gas	Flow Δp=0,2 bar (l/h)
FB214B	1½" F	10000
FB215B	2" F	15000

Box: WxLxH	Box: Q.ty	Box: Weight	Pallet: WxLxH	Pallet: Q.ty	Pallet: Weight

Certificates	Manufacturer	Sectors
DM174-2004	<b>MWG</b>	Domestic, Commercial



## Filters with Washable Cartridge



- range of sediment filters, chrome plated brass head and trogamid sump, complete with washable cartridge;
- available AISI 304 cartridges and versions with AISI 316 sump for temperature up to 80°C (only ¾" - 1" - 1 ¼" models)
- max operating pressure 16 bar;
- temperature 0 ÷ 40° C;
- nylon cartridge 60 micron (REF. FB221).

Ref	Description	Fam.	Subfam.		
FB200	OTC-12 FILTER BRASS WITH NYLON CARTRIDGE 60	40	109		

Ref	In-Out Connections	Flow Δp=0,2 bar (l/h)
FB200	½" F	1200

Box: WxLxH	Box: Q.ty	Box: Weight	Pallet: WxLxH	Pallet: Q.ty	Pallet: Weight

Certificates	Manufacturer	Sectors
DM174-2004	<b>MWG</b>	Domestic, Commercial



- max operating pressure 16 bar;
- temperature 0 ÷ 40° C;
- nylon cartridge 60 micron (REF. FB224).

Ref	Description	Fam.	Subfam.		
FB201	OTC-34 FILTER BRASS WITH NYLON CARTRIDGE 60	40	109		
FB202	OTC-1 FILTER BRASS WITH NYLON CARTRIDGE 60	40	109		
FB203	OTC-114 FILTER BRASS WITH NYLON CARTRIDGE 60	40	109		

Ref	In-Out Connections	Flow Δp=0,2 bar (l/h)
FB201	¾"	3000
FB202	1"	3500
FB203	1 ¼"	5000

Box: WxLxH	Box: Q.ty	Box: Weight	Pallet: WxLxH	Pallet: Q.ty	Pallet: Weight

Certificates	Manufacturer	Sectors
DM174-2004	<b>MWG</b>	Domestic, Commercial



- max operating pressure 10 bar;
- temperature 0 ÷ 40° C;
- AISI 304 cartridge 100 micron (REF. FB232).

Ref	Description	Fam.	Subfam.		
FB204B	OTC-112 FILTER BRASS WITH INOX CARTRIDGE 100	40	109		
FB205B	OTC-2 FILTER BRASS WITH INOX CARTRIDGE 100	40	109		

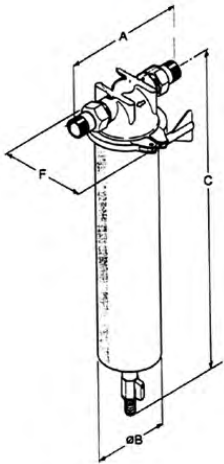
Ref	In-Out Connections	Flow Δp=0,2 bar (l/h)
FB204B	1 ½" F	10000
FB205B	2" F	15000

Box: WxLxH	Box: Q.ty	Box: Weight	Pallet: WxLxH	Pallet: Q.ty	Pallet: Weight

Certificates	Manufacturer	Sectors
DM174-2004	<b>MWG</b>	Domestic, Commercial



## Hot Water Filters



- Filter housing brass chromium-pleated head with sump in AISI 304, for standard filtering cartridges external diameter max 67 mm, and nominal length 10" or 20";
- Complete with internal tie-rod in AISI 304 to fit cartridges;
- Max operating temperature 80°C;
- Max operating pressure 16 bar;
- With air valve.
- **Cartridges to coupling:** AISI 304 pleated filtering cartridges, REF. FB225, FB228, FB231, FB234 and FB237 Note: for MODEL 20", you can't put one 10" filtering cartridge on another;
- AISI 304 filtering cartridges, smooth or pleated;
- Wound Polypropylene cartridges with AISI 316 core.

Ref	Description	Fam.	Subfam.		
FB217	FILTER HOUSING OTC.HW-34	40	109		
FB218	FILTER HOUSING OTC.HW-1	40	109		
FB219	FILTER HOUSING OTC.HW-114	40	109		
FB217A	FILTER HOUSING OTC HW-34-20"	40	109		
FB218A	FILTER HOUSING OTC HW-1-20"	40	109		
FB219A	FILTER HOUSING OTC HW-114-20"	40	109		

Ref	Connections (inch)	Nominal Length (inch)	A (mm)	B (mm)	C (mm)	F (mm)
FB217	¾"	10"	200	88	375	147
FB218	1"	10"	200	88	375	147
FB219	1¼"	10"	200	88	385	147
FB217A	¾"	20"	200	88	630	147
FB218A	1"	20"	200	88	630	147
FB219A	1¼"	20"	200	88	640	147

Box: WxLxH	Box: Q.ty	Box: Weight	Pallet: WxLxH	Pallet: Q.ty	Pallet: Weight

Certificates	Manufacturer	Sectors
DM174-2004	<b>MWG</b>	Domestic, Commercial



## Filter Housings Brass Head



- three pieces filter housings;
- head and nut material brass nickel-pleated, sump in SAN clear;
- max operating pressure 8 bar;
- max operating temperature 40° C;
- complete with air valve.

Ref	Description	Fam.	Subfam.		
FB060	FILTER HOUSING OTS 34-9	40	109		
FB061	FILTER HOUSING OTS 1-9	40	109		
FB062	FILTER HOUSING OTS 1-20	40	109		
FB063	FILTER HOUSING OTS 114-10	40	109		
FB064	FILTER HOUSING OTS 114-20	40	109		
FB072	FILTER HOUSING OTS 112-10	40	109		
FB065	FILTER HOUSING OTS 112-20	40	109		
FB073	FILTER HOUSING OTS 2-10	40	109		
FB066	FILTER HOUSING OTS 2-20	40	109		

Ref	Connections (inch)	For Cartridge	L (mm)	H (mm)
FB060	¾"	10"	135	330
FB061	1"	10"	135	330
FB062	1"	20"	135	600
FB063	1¼"	10"	150	340
FB064	1¼"	20"	150	620
FB072	1½"	10"	150	340
FB065	1½"	20"	150	620
FB073	2"	10"	162	360
FB066	2"	20"	162	640

Box: WxLxH	Box: Q.ty	Box: Weight	Pallet: WxLxH	Pallet: Q.ty	Pallet: Weight

Certificates	Manufacturer	Sectors
		Domestic, Commercial

## Accessories Wrench

- galvanised steel material.

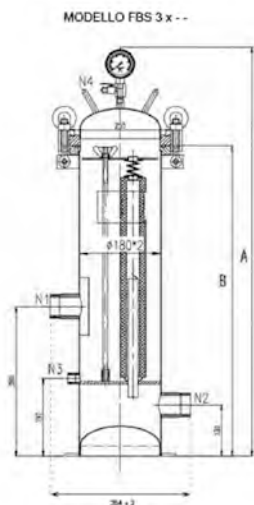


Ref	Description	Fam.	Subfam.		
FB069	SPANNER FOR FILTER OTS	40	105		

Box: WxLxH	Box: Q.ty	Box: Weight	Pallet: WxLxH	Pallet: Q.ty	Pallet: Weight



## MWG AISI 316L Filter Housings

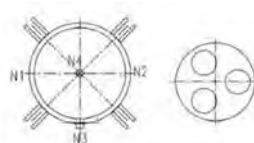


- Multicartridges filter housings flanged top opening AISI 316L for 3 cartridges, In/Out connections 2" BSP M or flanged 2" (DN50) ASME B16.5 CLASS 150;
- ½" BSP F connection for drain filter;
- ¼" BSP F connection for air valve pressure gauge;
- High resistance and strength electrowelded construction, complete with AISI 316 fixing cartridges accessories, mechanical polishing outside treatment;
- European 2014/68/EU Directive compliant for pressure equipment (PED);
- Max pressure @ 20°C = 10 bar; Max pressure @ 40°C = 9 bar; Max pressure @ 80°C = 8 bar;
- Hydraulic test pressure = 12 bar; Max temperature 80 °C;
- Gasket material EPDM (option in Viton not included, to order separately);
- Suitable for DOE cartridges;
- Cartridges dimensions: ID min/max 28÷30 mm, OD max 65 mm and length 20"-30"-40".
- **WARNING!** For these housings the suitable Carbon Block cartridges are FA018 and FA019.
- The FA013 and FA014 cartridges of our catalogue are not suitable for these housings.

Ref	Description	Fam.	Subfam.		
FBS0320	MWG FILTER HOUSING FBS 3x20" AISI 316L 2" BSP M	40	115		
FBS0320FL	MWG FILTER HOUSING FBS 3x20" AISI 316L FLANG 2" ASME B16.5 CLAS150	40	115		

Ref	In/Out Connections	A (mm)	B (mm)
FBS0320	2" BSP M	1038	788
FBS0320FL	2" Flanged	1038	788

Box: WxLxH	Box: Q.ty	Box: Weight	Pallet: WxLxH	Pallet: Q.ty	Pallet: Weight



N1	Inlet	2" BSP Male
N2	Outlet	2" BSP Male
N3	Drain	1/2" Female
N4	Pressure Gauge/Vent	1/4" Female

Ref	Description	Fam.	Subfam.		
FBS0330	MWG FILTER HOUSING FBS 3x30" AISI 316L 2" BSP M	40	115		
FBS0330FL	MWG FILTER HOUSING FBS 3x30" AISI 316L FLANG 2" ASME B16.5 CLAS150	40	115		

Ref	In/Out Connections	A (mm)	B (mm)
FBS0330	2" BSP M	1292	1042
FBS0330FL	2" Flanged	1292	1042

Box: WxLxH	Box: Q.ty	Box: Weight	Pallet: WxLxH	Pallet: Q.ty	Pallet: Weight

Ref	Description	Fam.	Subfam.		
FBS0340	MWG FILTER HOUSING FBS 3x40" AISI 316L 2" BSP M	40	115		
FBS0340FL	MWG FILTER HOUSING FBS 3x40" AISI 316L FLANG 2" ASME B16.5 CLAS150	40	115		

Ref	In/Out Connections	A (mm)	B (mm)
FBS0340	2" BSP M	1546	1296
FBS0340FL	2" Flanged	1546	1296

Box: WxLxH	Box: Q.ty	Box: Weight	Pallet: WxLxH	Pallet: Q.ty	Pallet: Weight

Certificates	Manufacturer	Sectors
DM174-2004 CE	<b>MWG</b>	Industrial



## MWG AISI 316L Filter Housings

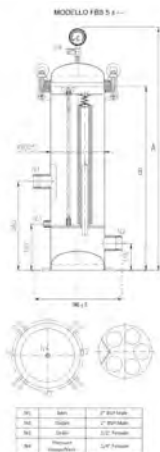


- Multicartridges filter housings flanged top opening AISI 316L for 5 cartridges, In/Out connections 2" BSP M or flanged 2" (DN50) ASME B16.5 CLASS 150;
- ½" BSP F connection for drain filter;
- ¼" BSP F connection for air valve pressure gauge;
- High resistance and strength electrowelded construction, complete with AISI 316 fixing cartridges accessories, mechanical polishing outside treatment;
- European 2014/68/EU Directive compliant for pressure equipment (PED);
- Max pressure @ 20°C = 10 bar; Max pressure @ 40°C = 9 bar; Max pressure @ 80°C = 8 bar;
- Hydraulic test pressure = 12 bar; Max temperature 80 °C;
- Gasket material EPDM (option in Viton not included, to order separately);
- Suitable for DOE cartridges;
- Cartridges dimensions: ID min/max 28÷30 mm, OD max 65 mm and length 20"- 30"- 40".
- **WARNING!** For these housings the suitable Carbon Block cartridges are FA018 and FA019.
- The FA013 and FA014 cartridges of our catalogue are not suitable for these housings.

Ref	Description	Fam.	Subfam.		
FBS0520	MWG FILTER HOUSING FBS 5x20" AISI 316L 2" BSP M	40	115		
FBS0520FL	MWG FILTER HOUSING FBS 5x20" AISI 316L FLANG 2" ASME B16.5 CLAS150	40	115		

Ref	In/Out Connections	A (mm)	B (mm)
FBS0520	2" BSP M	1045	788
FBS0520FL	2" Flanged	1045	788

Box: WxLxH	Box: Q.ty	Box: Weight	Pallet: WxLxH	Pallet: Q.ty	Pallet: Weight



Ref	Description	Fam.	Subfam.		
FBS0530	MWG FILTER HOUSING FBS 5x30" AISI 316L 2" BSP M	40	115		
FBS0530FL	MWG FILTER HOUSING FBS 5x30" AISI 316L FLANG 2" ASME B16.5 CLAS150	40	115		

Ref	In/Out Connections	A (mm)	B (mm)
FBS0530	2" BSP M	1042	1299
FBS0530FL	2" Flanged	1042	1299

Box: WxLxH	Box: Q.ty	Box: Weight	Pallet: WxLxH	Pallet: Q.ty	Pallet: Weight

Ref	Description	Fam.	Subfam.		
FBS0540	MWG FILTER HOUSING FBS 5x40" AISI 316L 2" BSP M	40	115		
FBS0540FL	MWG FILTER HOUSING FBS 5x40" AISI 316L FLANG 2" ASME B16.5 CLAS150	40	115		

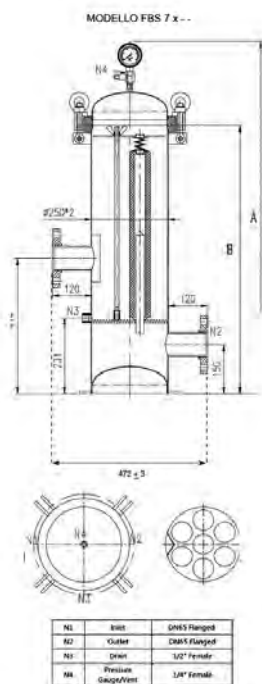
Ref	In/Out Connections	A (mm)	B (mm)
FBS0540	2" BSP M	1553	1296
FBS0540FL	2" Flanged	1553	1296

Box: WxLxH	Box: Q.ty	Box: Weight	Pallet: WxLxH	Pallet: Q.ty	Pallet: Weight

Certificates	Manufacturer	Sectors
DM174-2004 CE	<b>MWG</b>	Industrial



## MWG AISI 316L Filter Housings



- Multicartridges filter housings flanged top opening AISI 316L for 7 cartridges, In/Out connections 2,5" BSP M or flanged 2,5" (DN65) ASME B16.5 CLASS 150;
- 1/2" BSP F connection for drain filter;
- 1/4" BSP F connection for air valve pressure gauge;
- High resistance and strength electrowelded construction, complete with AISI 316 fixing cartridges accessories, mechanical polishing outside treatment;
- European 2014/68/EU Directive compliant for pressure equipment (PED);
- Max pressure @ 20°C = 10 bar; Max pressure @ 40°C = 9 bar; Max pressure @ 80°C = 8 bar;
- Hydraulic test pressure = 12 bar;
- Max temperature 80 °C;
- Gasket material EPDM (option in Viton not included, to order separately);
- Suitable for DOE cartridges;
- Cartridges dimensions: ID min/max 28÷30 mm, OD max 65 mm and length 20"- 30"- 40".
- **WARNING!** For these housings the suitable Carbon Block cartridges are FA018 and FA019.
- The FA013 and FA014 cartridges of our catalogue are not suitable for these housings.

Ref	Description	Fam.	Subfam.		
FBS0720	MWG FILTER HOUSING FBS 7x20" AISI 316L 2.5" BSP MM	40	115		
FBS0720FL	MWG FILTER HOUSING FBS 7x20" AISI 316L FLANG 2.5"ASME B16.5 CLAS150	40	115		

Ref	In/Out Connections	A (mm)	B (mm)
FBS0720	2,5" BSP M	1079	822
FBS0720FL	2,5" Flanged	1079	822

Box: WxLxH	Box: Q.ty	Box: Weight	Pallet: WxLxH	Pallet: Q.ty	Pallet: Weight

Ref	Description	Fam.	Subfam.		
FBS0730	MWG FILTER HOUSING FBS 7x30" AISI 316L 2.5" BSP MM	40	115		
FBS0730FL	MWG FILTER HOUSING FBS 7x30" AISI 316L FLANG 2.5"ASME B16.5 CLAS150	40	115		

Ref	In/Out Connections	A (mm)	B (mm)
FBS0730	2,5" BSP M	1076	1333
FBS0730FL	2,5" Flanged	1076	1333

Box: WxLxH	Box: Q.ty	Box: Weight	Pallet: WxLxH	Pallet: Q.ty	Pallet: Weight

Ref	Description	Fam.	Subfam.		
FBS0740	MWG FILTER HOUSING FBS 7x40" AISI 316L 2.5" BSP MM	40	115		
FBS0740FL	MWG FILTER HOUSING FBS 7x40" AISI 316L FLANG 2.5"ASME B16.5 CLAS150	40	115		

Ref	In/Out Connections	A (mm)	B (mm)
FBS0740	2,5" BSP M	1330	1587
FBS0740FL	2,5" Flanged	1330	1587

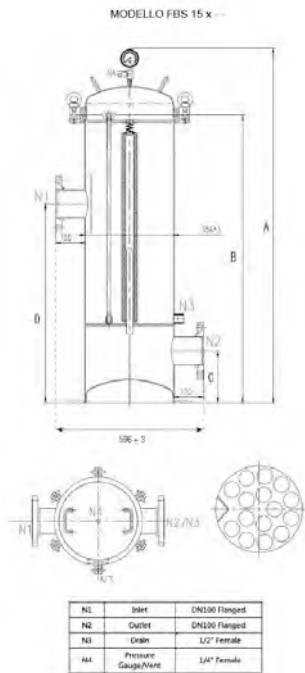
Box: WxLxH	Box: Q.ty	Box: Weight	Pallet: WxLxH	Pallet: Q.ty	Pallet: Weight

Certificates	Manufacturer	Sectors
DM174-2004 CE	<b>MWG</b>	Industrial





## MWG AISI 316L Filter Housings



- Multicartridges filter housings flanged top opening AISI 316L for 15 cartridges, In/Out connections flanged 4" (DN100) ASME B16.5 CLASS 150;
- 1/2" BSP F connection for drain filter;
- 1/4" BSP F connection for air valve pressure gauge;
- High resistance and strength electrowelded construction, complete with AISI 316 fixing cartridges accessories, mechanical polishing outside treatment;
- European 2014/68/EU Directive compliant for pressure equipment (PED);
- Max pressure @ 20°C = 10 bar; Max pressure @ 40°C = 9 bar; Max pressure @ 80°C = 8 bar;
- Hydraulic test pressure = 12 bar;
- Max temperature 80 °C;
- Gasket material EPDM (option in Viton not included, to order separately);
- Suitable for DOE cartridges;
- Cartridges dimensions: ID min/max 28÷30 mm, OD max 65 mm and length 30"- 40".
- **WARNING!** For these housings the suitable Carbon Block cartridges are FA018 and FA019.
- The FA013 and FA014 cartridges of our catalogue are not suitable for these housings.

Ref	Description	Fam.	Subfam.		
FBS1530FL	MWG FILTER HOUSING FBS 15x30" AISI 316L FLANG 4"ASME B16.5 CLAS150	40	115		
FBS1540FL	MWG FILTER HOUSING FBS 15x40" AISI 316L FLANG 4"ASME B16.5 CLAS150	40	115		

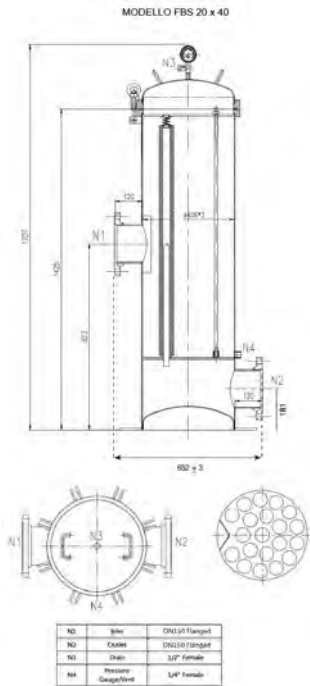
Ref	A (mm)	B (mm)	C (mm)	D (mm)
FBS1530FL	1437	1166	211	806
FBS1540FL	1661	1390	181	1030

Box: WxLxH	Box: Q.ty	Box: Weight	Pallet: WxLxH	Pallet: Q.ty	Pallet: Weight

Certificates	Manufacturer	Sectors
DM174-2004 CE	<b>MWG</b>	Industrial



## MWG AISI 316L Filter Housings



- Multicartridges filter housings flanged top opening AISI 316L for 20 cartridges, In/Out connections flanged 6" (DN150) ASME B16.5 CLASS 150;
- 1/2" BSP F connection for drain filter;
- 1/4" BSP F connection for air valve pressure gauge;
- High resistance and strength electrowelded construction, complete with AISI 316 fixing cartridges accessories, mechanical polishing outside treatment;
- European 2014/68/EU Directive compliant for pressure equipment (PED);
- Max pressure @ 20°C = 10 bar; Max pressure @ 40°C = 9 bar; Max pressure @ 80°C = 8 bar;
- Hydraulic test pressure = 12 bar;
- Max temperature 80 °C;
- Gasket material EPDM (option in Viton not included, to order separately);
- Suitable for DOE cartridges;
- Cartridges dimensions: ID min/max 28÷30 mm, OD max 65 mm and length 40".
- **WARNING!** For these housings the suitable Carbon Block cartridges are FA018 and FA019.
- The FA013 and FA014 cartridges of our catalogue are not suitable for these housings.

Ref	Description	Fam.	Subfam.		
FBS2040FL	MWG FILTER HOUSING FBS 20X40" AISI 316L FLANG 6"ASME B16.5 CLAS150	40	115		

Box: WxLxH	Box: Q.ty	Box: Weight	Pallet: WxLxH	Pallet: Q.ty	Pallet: Weight

Certificates	Manufacturer	Sectors
DM174-2004 CE	<b>MWG</b>	Industrial



## AISI 316L Filter Housings



- Multicartridges filter housings flanged top opening AISI 316L for 3 cartridges, support legs, In/Out connections 2" BSP M or DN50 flange;
- Two 1/2" BSP connections for air valve pressure gauge and for drain filter;
- High resistance and strength electrowelded construction, complete with AISI 316L fixing cartridges accessories, glass blasted internal and outside treatment;
- European 2014/68/EU Directive compliant for pressure equipment (PED);
- Max operating pressure @ 40°C = 8 bar; Max operating pressure @ 80°C = 2 bar;
- Hydraulic test pressure = 12 bar;
- Max operating temperature 80 °C;
- Gasket material EPDM;
- Suitable for DOE cartridges;
- Cartridges dimensions: ID min/max 26÷30 mm, OD max 65 mm and length 20"- 30"- 40"
- **WARNING!** For these housings the suitable Carbon Block cartridges are FA018 and FA019.
- The FA013 and FA014 cartridges of our catalogue are not suitable for these housings.

Ref	Description	Fam.	Subfam.		
FB040	FILTER HOUSING MOD. CFH 3X20" AISI 316L-2" M	40	108		
FB040A	FILTER HOUSING MOD. CFH 3X20" AISI 316L-DN 50	40	108		

Ref	In/Out Connections	A (mm)	Weight (kg)
FB040	2" BSP M	1200	20
FB040A	DN50 Flange	1200	22

Box: WxLxH	Box: Q.ty	Box: Weight	Pallet: WxLxH	Pallet: Q.ty	Pallet: Weight

Ref	Description	Fam.	Subfam.		
FB041	FILTER HOUSING MOD. CFH 3X30" AISI 316L-2" M	40	108		
FB041A	FILTER HOUSING MOD. CFH 3X30" AISI 316L-DN 50	40	108		

Ref	In/Out Connections	A (mm)	Weight (kg)
FB041	2" BSP M	1500	21
FB041A	DN50 Flange	1500	23

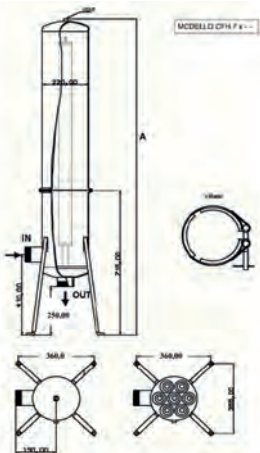
Box: WxLxH	Box: Q.ty	Box: Weight	Pallet: WxLxH	Pallet: Q.ty	Pallet: Weight

Ref	Description	Fam.	Subfam.		
FB041/1	FILTER HOUSING MOD. CFH 3X40" AISI 316L-2" M	40	108		
FB041/1A	FILTER HOUSING MOD. CFH 3X40" AISI 316L-DN 50	40	108		

Ref	In/Out Connections	A (mm)	Weight (kg)
FB041/1	2" BSP M	1600	22
FB041/1A	DN50 Flange	1600	24

Box: WxLxH	Box: Q.ty	Box: Weight	Pallet: WxLxH	Pallet: Q.ty	Pallet: Weight

Certificates	Manufacturer	Sectors
DM174-2004 CE		Industrial





## AISI 316L Filter Housings



- Multicartridges filter housings flanged top opening AISI 316L for 7 cartridges, support legs, In/Out connections 2 1/2" BSP M or DN65 flange;
- Two 1/2" BSP connections for air valve pressure gauge and for drain filter;
- High resistance and strength electrowelded construction, complete with AISI 316L fixing cartridges accessories, glass blasted internal and outside treatment;
- European 2014/68/EU Directive compliant for pressure equipment (PED);
- Max operating pressure @ 40°C = 8 bar; Max operating pressure @ 80°C = 2 bar;
- Hydraulic test pressure = 12 bar;
- Max operating temperature 80 °C;
- Gasket material EPDM;
- Suitable for DOE cartridges;
- Cartridges dimensions: ID min/max 26÷30 mm, OD max 65 mm and length 20"- 30"- 40".
- **WARNING!** For these housings the suitable Carbon Block cartridges are FA018 and FA019.
- The FA013 and FA014 cartridges of our catalogue are not suitable for these housings.

Ref	Description	Fam.	Subfam.		
FB042	FILTER HOUSING MOD. CFH 7X20" AISI 316L-2,1/2" M	40	108		
FB042A	FILTER HOUSING MOD. CFH 7X20" AISI 316L-DN 65	40	108		

Ref	In/Out Connections	A (mm)	Weight (kg)
FB042	2 1/2" BSP M	1190	27
FB042A	DN65 Flange	1190	30

Box: WxLxH	Box: Q.ty	Box: Weight	Pallet: WxLxH	Pallet: Q.ty	Pallet: Weight

Ref	Description	Fam.	Subfam.		
FB043	FILTER HOUSING MOD. CFH 7X30" AISI 316L-2,1/2" M	40	108		
FB043A	FILTER HOUSING MOD. CFH 7X30" AISI 316L-DN 65	40	108		

Ref	In/Out Connections	A (mm)	Weight (kg)
FB043	2 1/2" BSP M	1495	29
FB043A	DN65 Flange	1495	32

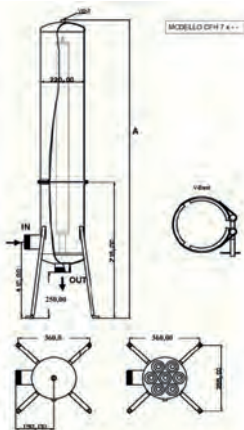
Box: WxLxH	Box: Q.ty	Box: Weight	Pallet: WxLxH	Pallet: Q.ty	Pallet: Weight

Ref	Description	Fam.	Subfam.		
FB044	FILTER HOUSING MOD. CFH 7X40" AISI 316L-2,1/2" M	40	108		
FB044A	FILTER HOUSING MOD. CFH 7X40" AISI 316L-DN 65	40	108		

Ref	In/Out Connections	A (mm)	Weight (kg)
FB044	2 1/2" BSP M	1610	34
FB044A	DN65 Flange	1610	37

Box: WxLxH	Box: Q.ty	Box: Weight	Pallet: WxLxH	Pallet: Q.ty	Pallet: Weight

Certificates	Manufacturer	Sectors
DM174-2004 CE		Industrial

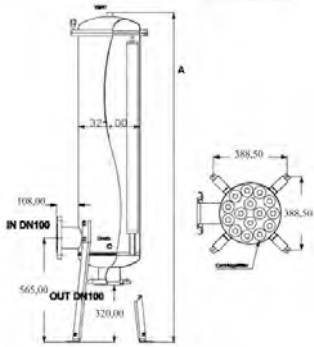




## AISI 316L Filter Housings



MODELLO CFH 15 x ...



- Multicartridges filter housings flanged top opening AISI 316L for 15 cartridges, support legs, In/Out connections DN100;
- Two ½" BSP connections for air valve pressure gauge and for drain filter;
- High resistance and strength electrowelded construction, complete with AISI 316L fixing cartridges accessories, glass blasted internal and outside treatment;
- European 2014/68/EU Directive compliant for pressure equipment (PED);
- Max operating pressure @ 40°C = 8 bar; Max operating pressure @ 80°C = 2 bar;
- Hydraulic test pressure = 12 bar;
- Max operating temperature 80 °C;
- Gasket material EPDM;
- Suitable for DOE cartridges;
- Cartridges dimensions: ID min/max 26÷30 mm, OD max 65 mm and length 30"- 40".
- **WARNING!** For these housings the suitable Carbon Block cartridges are FA018 and FA019.
- The FA013 and FA014 cartridges of our catalogue are not suitable for these housings.

Ref	Description	Fam.	Subfam.		
FB046	FILTER HOUSING MOD. CFH 15X40" AISI 316L-DN 100	40	108		

Ref	Description	A (mm)	Weight (kg)
FB046	FILTER HOUSING MOD. CFH 15X40" AISI 316L-DN 100	1750	80

Box: WxLxH	Box: Q.ty	Box: Weight	Pallet: WxLxH	Pallet: Q.ty	Pallet: Weight

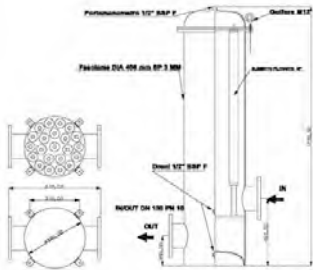
Certificates	Manufacturer	Sectors
DM174-2004 CE		Industrial



## AISI 316L Filter Housings



MODELLO CHB 22 v.01



- Multicartridges filter housings flanged top opening AISI 316L for 22 cartridges, In/Out connections DN150;
- Three 1/2" BSP connections for air valve pressure gauge and for drain filter;
- High resistance and strength electrowelded construction, complete with AISI 316L fixing cartridges accessories, glass blasted internal and outside treatment;
- European 2014/68/EU Directive compliant for pressure equipment (PED);
- Max operating pressure @ 40°C = 8 bar; Max operating pressure @ 80°C = 2 bar;
- Hydraulic test pressure = 12 bar;
- Max operating temperature 80 °C;
- Gasket material EPDM;
- Suitable for DOE cartridges;
- Cartridges dimensions: ID min/max 26÷30 mm, OD max 65 mm and length 40".
- **WARNING!** For these housings the suitable Carbon Block cartridges are FA018 and FA019.
- The FA013 and FA014 cartridges of our catalogue are not suitable for these housings.

Ref	Description	Fam.	Subfam.		
FB046/1	FILTER HOUSING MOD. CFH 2X40" AISI 316L-DN 150	40	108		

Ref	Description	Weight (kg)
FB046/1	FILTER HOUSING MOD. CFH 2X40" AISI 316L-DN 150	138

Box: WxLxH	Box: Q.ty	Box: Weight	Pallet: WxLxH	Pallet: Q.ty	Pallet: Weight

Certificates	Manufacturer	Sectors
DM174-2004 CE		Industrial



## Chemical High Resistance PVC-U Multicartridges Filter Housings HPCF Series



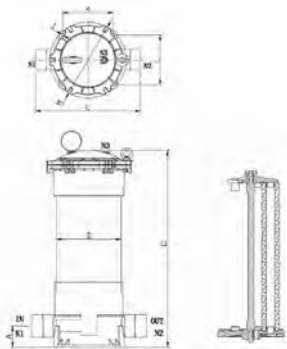
- PVC-U multicartridges filter housings for 5 cartridges flanged top opening;
- With three pieces in / out female socket weld connections;
- With two 1/4" threaded connections for air valve pressure gauges and for drain filter;
- All filter housing internal material and all internal spare parts are in PVC-U for high chemical corrosion resistance;
- Opening gasket in EPDM material;
- Connection gasket in EPDM material;
- With aeration valve and pressure gauge;
- European 2014/68/EU Directive compliant for pressure equipment (PED);
- Design pressure = 6,0 bar @ 25°C;
- Hydraulic test pressure = 7,8 bar;
- Max Δp = 1,4 bar;
- Operating temperature = 5 ÷ 40 °C;
- In/Out connections DN50 / D. 63 mm;
- Suitable for DOE cartridges;
- Cartridges dimensions: ID 28±30 mm, OD 65 mm and length 20"- 30"- 40".
- **WARNING!** The FA013 and FA014 cartridges of our catalogue are not suitable for these housings.

Ref	Description	Fam.	Subfam.		
FB560	MULTICARTRIDGE PVC-U FILTER HOUSING HPCF/B-5DC2 D.63 MM	40	108		

Ref	Cartridges Number	Weight (kg)	Capacity (Liters)	Nominal Flow Rate (lpm)
FB560	n.5 2,5" x 20"	11,0	20,6	300

Box: WxLxH	Box: Q.ty	Box: Weight	Pallet: WxLxH	Pallet: Q.ty	Pallet: Weight

Ref	A	C	D	E	I	K	L	M	N1 N2	N3
FB560	75	715	225	540	10	187,5	186	290	63	G 1/4"
FB561	75	965	225	540	10	187,5	186	290	63	G 1/4"
FB562	75	1215	225	540	10	187,5	186	290	63	G 1/4"



Ref	Description	Fam.	Subfam.		
FB561	MULTICARTRIDGE PVC-U FILTER HOUSING HPCF/B-5DC3 D.63 MM	40	108		

Ref	Cartridges Number	Weight (kg)	Capacity (Liters)	Nominal Flow Rate (lpm)
FB561	n.5 2,5" x 30"	12,7	29,4	300

Box: WxLxH	Box: Q.ty	Box: Weight	Pallet: WxLxH	Pallet: Q.ty	Pallet: Weight

Ref	Description	Fam.	Subfam.		
FB562	MULTICARTRIDGE PVC-U FILTER HOUSING HPCF/B-5DC4 D.63 MM	40	108		

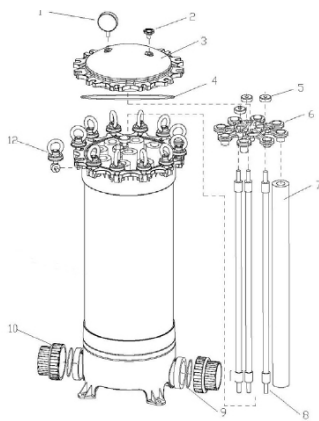
Ref	Cartridges Number	Weight (kg)	Capacity (Liters)	Nominal Flow Rate (lpm)
FB562	n.5 2,5" x 40"	14,4	38,2	300

Box: WxLxH	Box: Q.ty	Box: Weight	Pallet: WxLxH	Pallet: Q.ty	Pallet: Weight

Certificates	Manufacturer	Sectors
CE	<b>MWG</b>	Industrial



## Chemical High Resistance PVC-U Multicartridges Filter Housings HPCF Series



### Spare Parts

Ref	Description	Fam.	Subfam.		
FB366	PURGE CAP	40	107		
FB367	MANOMETER 0-10 BAR 1/4"	40	107		
FB580	FLANGED TOP COVER 225 HPCF/PF/HXP + PURGE CAP + OERROR:#NAME?	40	108		
FB363	EPDM CLOSURE O-RING HPCF-PF-HXP 225	40	107		
FB574	CLOSURE CARTRIDGE NUT	40	108		
FB578	5DC CARTRIDGE FIXING STAR	40	108		
	Cartridges (not included)				
FB575	20" ROD	40	108		
FB576	30" ROD	40	108		
FB577	40" ROD	40	108		
FB371	T GASKET D.63 FOR HPCF FILTER	40	107		
FB572	SINGOL MANIFOLD KIT D. 63 MM W/O-RING	40	108		
FB364	AISI BOLT KIT M10	40	107		
FB584	KIT DRAIN LINE 1" BSPT M + D.20 TO GLUE HPCF 9	40	108		

Item	Ref	Description	Q.TY	Material
1	FB366	PURGE CAP	1	
2	FB367	MANOMETER 0-10 BAR 1/4"	1	
1+3+4	FB580	FLANGED TOP COVER 225 HPCF/PF/HXP + PURGE CAP + OERROR:#NAME?	1	
4	FB363	EPDM CLOSURE O-RING HPCF-PF-HXP 225	1	EPDM
5	FB574	CLOSURE CARTRIDGE NUT	3	
6	FB578	5DC CARTRIDGE FIXING STAR	1	
7		Cartridges (not included)		
8	FB575	20" ROD	1	
8	FB576	30" ROD	1	
8	FB577	40" ROD	1	
10	FB371	T GASKET D.63 FOR HPCF FILTER	2	
9+10	FB572	SINGOL MANIFOLD KIT D. 63 MM W/O-RING	2	
11	FB364	AISI BOLT KIT M10	6	AISI
Not shown	FB584	KIT DRAIN LINE 1" BSPT M + D.20 TO GLUE HPCF 9	1	





## Chemical High Resistance PVC-U Multicartridges Filter Housings HPCF Series



- PVC-U multicartridges filter housings for 9 cartridges flanged top opening;
- With three pieces in / out female socket weld connections;
- With two 1/4" threaded connections for air valve pressure gauges and for drain filter;
- All filter housing internal material and all internal spare parts are in PVC-U for high chemical corrosion resistance;
- Opening gasket in EPDM material;
- Connection gasket in EPDM material;
- With aeration valve and pressure gauge;
- European 2014/68/EU Directive compliant for pressure equipment (PED);
- Design pressure = 6,0 bar @ 25°C;
- Hydraulic test pressure = 7,8 bar;
- Max  $\Delta p$  = 1,4 bar;
- Operating temperature = 5 ÷ 40 °C;
- In/Out connections DN80 / D. 90 mm;
- 1" BSPT M (+ F 20 mm to glue) drain connection;
- Suitable for DOE cartridges;
- Cartridges dimensions: ID 28÷30 mm, OD 65 mm and length 20"- 30"- 40".
- **WARNING!** The FA013 and FA014 cartridges of our catalogue are not suitable for these housings.

Ref	Description	Fam.	Subfam.		
FB564	MULTICARTRIDGE PVC-U FILTER HOUSING HPCF/B-9DC2 D.90 MM	40	108		

Ref	Cartridges Number	Weight (kg)	Capacity (Liters)	Nominal Flow Rate (lpm)
FB564	n.9 2,5" x 20"	20,0	39,7	250

Box: WxLxH	Box: Q.ty	Box: Weight	Pallet: WxLxH	Pallet: Q.ty	Pallet: Weight

Ref	A	C	D	E	I	J	K	L	M	N1 N2	N3	N4
FB564	69	765	315	520	9	15	276	249	372	90	G 1/4"	1"
FB565	69	1015	315	520	9	15	276	249	372	90	G 1/4"	1"
FB566	69	1265	315	520	9	15	276	249	372	90	G 1/4"	1"

Ref	Description	Fam.	Subfam.		
FB565	MULTICARTRIDGE PVC-U FILTER HOUSING HPCF/B-9DC3 D.90 MM	40	108		

Ref	Cartridges Number	Weight (kg)	Capacity (Liters)	Nominal Flow Rate (lpm)
FB565	n.9 2,5" x 30"	23,0	57,0	350

Box: WxLxH	Box: Q.ty	Box: Weight	Pallet: WxLxH	Pallet: Q.ty	Pallet: Weight

Ref	Description	Fam.	Subfam.		
FB566	MULTICARTRIDGE PVC-U FILTER HOUSING HPCF/B-9DC4 D.90 MM	40	108		

Ref	Cartridges Number	Weight (kg)	Capacity (Liters)	Nominal Flow Rate (lpm)
FB566	n.9 2,5" x 40"	26,0	74,3	550

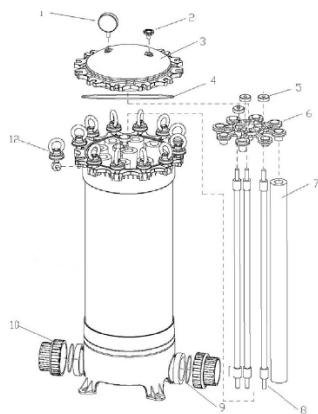
Box: WxLxH	Box: Q.ty	Box: Weight	Pallet: WxLxH	Pallet: Q.ty	Pallet: Weight

Certificates	Manufacturer	Sectors
CE	<b>MWG</b>	Industrial





## Chemical High Resistance PVC-U Multicartridges Filter Housings HPCF Series



### Spare Part

Ref	Description	Fam.	Subfam.		
FB367	MANOMETER 0-10 BAR 1/4"	40	107		
FB366	PURGE CAP	40	107		
FB581	FLANGED TOP COVER 325 HPCF + PURGE CAP + O-RING	40	108		
FB571	EPDM CLOSURE O-RING HPCF 315	40	108		
FB574	CLOSURE CARTRIDGE NUT	40	108		
FB579	9DC CARTRIDGE FIXING STAR	40	108		
	Cartridge (not included)				
FB575	20" ROD	40	108		
FB576	30" ROD	40	108		
FB577	40" ROD	40	108		
FB583	T GASKET D.90 FOR HPCF FILTER	40	108		
FB573	SINGOL MANIFOLD KIT D. 90 MM W/O-RING	40	108		
FB582	AISI BOLT KIT M12	40	108		
FB584	KIT DRAIN LINE 1" BSPT M + D.20 TO GLUE HPCF 9	40	108		

Item	Ref	Description	Q.TY	Material
1	FB367	MANOMETER 0-10 BAR 1/4"	1	
2	FB366	PURGE CAP	1	
2+3+4	FB581	FLANGED TOP COVER 325 HPCF + PURGE CAP + O-RING	1	
4	FB571	EPDM CLOSURE O-RING HPCF 315	1	EPDM
5	FB574	CLOSURE CARTRIDGE NUT	3	
6	FB579	9DC CARTRIDGE FIXING STAR	1	
7		Cartridge (not included)		
8	FB575	20" ROD		
8	FB576	30" ROD	3	
8	FB577	40" ROD	3	
9	FB583	T GASKET D.90 FOR HPCF FILTER	3	
9+10	FB573	SINGOL MANIFOLD KIT D. 90 MM W/O-RING	2	
12	FB582	AISI BOLT KIT M12	12	AISI
Not shown	FB584	KIT DRAIN LINE 1" BSPT M + D.20 TO GLUE HPCF 9	1	



## High Flow PVC-U Single Cartridge Filter Housings PF Series



- PVC-U single cartridge filter housings, with flanged top opening, support legs, in/out female socket weld connections and two ¼" threaded connections for air valve pressure gauges and for drain filter;
- all filter housing internal material and all internal spare parts are in PVC-U for high chemical corrosion resistance;
- opening gasket in EPDM material;
- connection gasket in EPDM material;
- with aeration valve and pressure gauge;
- European 2014/68/EU Directive compliant for pressure equipment (PED);
- design pressure = 7,0 bar @ 25°C;
- hydraulic test pressure = 9,1 bar;
- max Δp = 1,4 bar;
- operating temperature = 5 ÷ 40 °C;
- In/Out flanged connections DN50;
- suitable for high flow "special pleated cartridges";
- cartridges dimensions: 6" x 20" and 6" x 40".

Ref	Description	Fam.	Subfam.		
FB360	SINGLE CARTRIDGE PVC-U FILTER HOUSING PF20 DN50	40	107		

Ref	Cartridge Type	Weight (kg)	Capacity (Liters)	Nominal Flow Rate (lpm)
FB360	6" x 20"	18,0	24,8	300

Box: WxLxH	Box: Q.ty	Box: Weight	Pallet: WxLxH	Pallet: Q.ty	Pallet: Weight

Certificates	Manufacturer	Sectors
CE	<b>MWG</b>	Industrial

Ref	Description	Fam.	Subfam.		
FB361	SINGLE CARTRIDGE PVC-U FILTER HOUSING PF40 DN50	40	107		

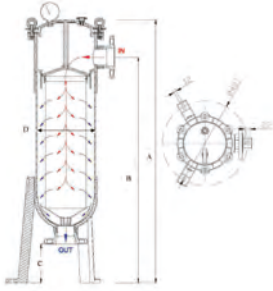
Ref	Cartridge Type	Weight (kg)	Capacity (Liters)	Nominal Flow Rate (lpm)
FB361	6" x 40"	22,3	41,0	300

Box: WxLxH	Box: Q.ty	Box: Weight	Pallet: WxLxH	Pallet: Q.ty	Pallet: Weight

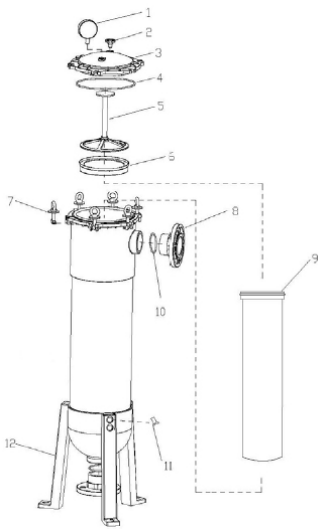
Certificates	Manufacturer	Sectors
CE	<b>MWG</b>	Industrial



## High Flow PVC-U Single Cartridge Filter Housings PF Series



Ref	A	B	C	D
FB360	1070	905	165	225
FB361	1560	1395	165	225



### Spare Parts

Ref	Description	Fam.	Subfam.		
FB367	MANOMETER 0-10 BAR 1/4"	40	107		
FB366	PURGE CAP	40	107		
FB580	FLANGED TOP COVER 225 HPCF/PF/HXP + PURGE CAP + OERROR:#NAME?	40	108		
FB363	EPDM CLOSURE O-RING HPCF-PF-HXP 225	40	107		
FB368	PVC SPACER	40	107		
FB359	PF FILTER 6" CARTRIDGE SEAL RING	40	107		
FB364	AISI BOLT KIT M10	40	107		
FB370	DN50 FLANGE	40	107		
	Single Cartridges (not included)				
FB362	2" FLANGE O-RING	40	107		
FB374	SUPPORT LEG FIXING SCREW	40	107		
FB373	SUPPORT LEG	40	107		

Item	Ref	Description	Q.TY	Material
1	FB367	MANOMETER 0-10 BAR 1/4"	1	
2	FB366	PURGE CAP	1	
2+3+4	FB580	FLANGED TOP COVER 225 HPCF/PF/HXP + PURGE CAP + OERROR:#NAME?	1	
4	FB363	EPDM CLOSURE O-RING HPCF-PF-HXP 225	1	EPDM
5	FB368	PVC SPACER	1	PVC
6	FB359	PF FILTER 6" CARTRIDGE SEAL RING	1	
7	FB364	AISI BOLT KIT M10	6	AISI
8	FB370	DN50 FLANGE	2	
9		Single Cartridges (not included)		
10	FB362	2" FLANGE O-RING	2	
11	FB374	SUPPORT LEG FIXING SCREW	6	
12	FB373	SUPPORT LEG	3	



## High Flow PVC-U Single Cartridge Filter Housings PF Series



### Cartridge to coupling

- high flow "special pleated cartridges" single open-ended;
- filter media and support in PP, o-ring seal in EPDM;
- end caps in fiberglass reinforced PP;
- inside to outside flow pattern;
- external diameter = 6" (152 mm);
- recommended maximum  $\Delta P$  1,0 bar at 20°C.

Ref	Description	Fam.	Subfam.		
FB376	PLEATED CARTRIDGE PP DLHF620PP4.5E	40	107		
FB379	PLEATED CERTRIDGE PP DLHF620PP20E	40	107		
FB381	PLEATED CARTRIDGE PP DLHF620PP70E	40	107		
FB382	PLEATED CARTRIDGE PP DLHF620PP100E	40	107		

Ref	Lenght (inch)	Micron	Nominal Flow Rate (lpm)
FB376	20"	4,5	660
FB379	20"	20	660
FB381	20"	70	660
FB382	20"	100	660

Box: WxLxH	Box: Q.ty	Box: Weight	Pallet: WxLxH	Pallet: Q.ty	Pallet: Weight

Certificates	Manufacturer	Sectors
	<b>MWG</b>	Industrial

Ref	Description	Fam.	Subfam.		
FB386	PLEATED CARTRIDGE PP DLHF640PP4.5E	40	107		
FB389	PLEATED CARTRIDGE PP DLHF640PP20E	40	107		
FB391	PLEATED CARTRIDGE PP DLHF640PP70E	40	107		
FB392	PLEATED CARTRIDGE PP DLHF640PP100E	40	107		

Ref	Lenght (inch)	Micron	Nominal Flow Rate (lpm)
FB386	40"	4,5	1300
FB389	40"	20	1300
FB391	40"	70	1300
FB392	40"	100	1300

Box: WxLxH	Box: Q.ty	Box: Weight	Pallet: WxLxH	Pallet: Q.ty	Pallet: Weight

Certificates	Manufacturer	Sectors
	<b>MWG</b>	Industrial



## PVC-U Bag Filter System



- PVC-U bag filter housings, with flanged top opening, support legs, in/out female socket weld connections and two 1/4" threaded connections for air valve pressure gauges and for drain filter;
- all filter housing internal material and all internal spare parts are in PVC-U for high chemical corrosion resistance;
- Opening gasket in EPDM material;
- Connection gasket in EPDM material;
- With aeration valve and pressure gauge;
- European 2014/68/EU Dir. compliant for pressure equipment (PED);
- Nominal flow rate = 300 lpm;
- Design pressure = 7,0 bar @ 25°C;
- Hydraulic test pressure = 9,1 bar;
- Max Δp = 1,0 bar;
- Operating temperature = 5 ÷ 40 °C;
- In/Out flanged connections DN50;
- Suitable for bag filter;
- Bag filters dimensions: 7" x 16" and 7" x 32".

Ref	Description	Fam.	Subfam.		
FB355	BAG FILTER HOUSING PVC-U MOD. HXP-BF-1-1-B DN50	40	107		

Ref	Bag Size	Weight (kg)	Capacity (Litres)	Nominal Flow Rate
FB355	7" x 16"	15	17	300

Box: WxLxH	Box: Q.ty	Box: Weight	Pallet: WxLxH	Pallet: Q.ty	Pallet: Weight

Ref	Description	Fam.	Subfam.		
FB356	BAG FILTER HOUSING PVC-U MOD. HXP-BF-1-2-B DN50	40	107		

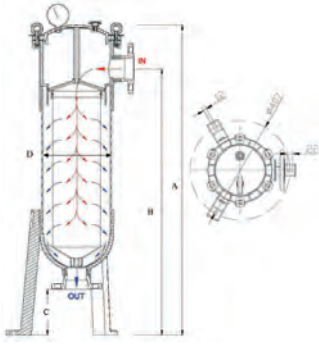
Ref	Bag Size	Weight (kg)	Capacity (Liters)	Nominal Flow Rate
FB356	7" x 32"	20	30	300

Box: WxLxH	Box: Q.ty	Box: Weight	Pallet: WxLxH	Pallet: Q.ty	Pallet: Weight

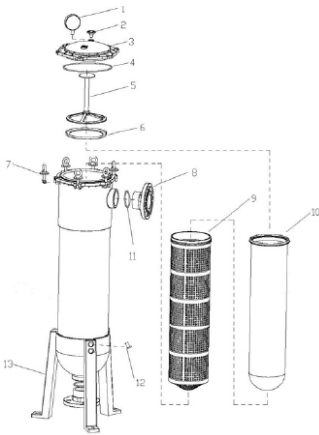
Certificates	Manufacturer	Sectors
CE	<b>MWG</b>	Industrial



## PVC-U Bag Filter System



Ref	C	D	A	B
FB355	165	225	845	685
FB356	165	225	1225	1065



### Spare Parts

Ref	Description	Fam.	Subfam.		
FB367	MANOMETER 0-10 BAR 1/4"	40	107		
FB366	PURGE CAP	40	107		
FB580	FLANGED TOP COVER 225 HPCF/PF/HXP + PURGE CAP + OERROR:#NAME?	40	108		
FB363	EPDM CLOSURE O-RING HPCF-PF-HXP 225	40	107		
FB368	PVC SPACER	40	107		
FB359A	HXP-BF FILTER BAG SEAL RING	40	107		
FB364	AISI BOLT KIT M10	40	107		
FB370	DN50 FLANGE	40	107		
FB383	PVC 16" FILTER SUPPORT ARMOR	40	107		
FB383A	PVC 32" FILTER SUPPORT ARMOR	40	107		
	Bag Filter (not included)				
FB362	2" FLANGE O-RING	40	107		
FB374	SUPPORT LEG FIXING SCREW	40	107		
FB373	SUPPORT LEG	40	107		

Rif. N.	Ref	Description	Q.ty	Material
1	FB367	MANOMETER 0-10 BAR 1/4"	1	
2	FB366	PURGE CAP	1	
2+3+4	FB580	FLANGED TOP COVER 225 HPCF/PF/HXP + PURGE CAP + OERROR:#NAME?	1	
4	FB363	EPDM CLOSURE O-RING HPCF-PF-HXP 225	1	EPDM
5	FB368	PVC SPACER	1	PVC
6	FB359A	HXP-BF FILTER BAG SEAL RING	1	
7	FB364	AISI BOLT KIT M10	6	AISI
8	FB370	DN50 FLANGE	2	
9	FB383	PVC 16" FILTER SUPPORT ARMOR	1	PVC
9	FB383A	PVC 32" FILTER SUPPORT ARMOR	1	PVC
10		Bag Filter (not included)		
11	FB362	2" FLANGE O-RING	2	
12	FB374	SUPPORT LEG FIXING SCREW	6	
13	FB373	SUPPORT LEG	3	



## PVC-U Bag Filter System

### PVC-U Bag Filter System

- Inside to outside flow pattern;
- In PP material;
- External diameter = 7" (178 mm);
- Recommended maximum  $\Delta p = 1,0$  bar at 20°C.

Ref	Description	Fam.	Subfam.		
FB357A	BAG FILTER L= 16" - 1 MICRON	40	107		
FB357B	BAG FILTER L= 16" - 5 MICRON	40	107		
FB357C	BAG FILTER L= 16" - 10 MICRON	40	107		
FB357D	BAG FILTER L= 16" - 25 MICRON	40	107		
FB357E	BAG FILTER L= 16" - 50 MICRON	40	107		
FB357F	BAG FILTER L= 16" - 100 MICRON	40	107		

Ref	Length	Micron	Nominal Flow Rate (lpm)
FB357A	16"	1	330
FB357B	16"	5	330
FB357C	16"	10	330
FB357D	16"	25	330
FB357E	16"	50	330
FB357F	16"	100	330

Ref	Description	Fam.	Subfam.		
FB358A	BAG FILTER L= 32" - 1 MICRON	40	107		
FB358B	BAG FILTER L= 32" - 5 MICRON	40	107		
FB358C	BAG FILTER L= 32" - 10 MICRON	40	107		
FB358D	BAG FILTER L= 32" - 25 MICRON	40	107		
FB358E	BAG FILTER L= 32" - 50 MICRON	40	107		
FB358F	BAG FILTER L= 32" - 100 MICRON	40	107		

Ref	Length	Micron	Nominal Flow Rate (lpm)
FB358A	32"	1	660
FB358B	32"	5	660
FB358C	32"	10	660
FB358D	32"	25	660
FB358E	32"	50	660
FB358F	32"	100	660

Certificates	Manufacturer	Sectors
CE	<b>MWG</b>	Industrial





## High Flow Single 20" Cartridge MWG EuroFlow Filter Housings EF Series

- Single cartridge filter housings with fiberglass reinforced plastic pressure vessels;
- White painted, UVA-ray proof material;
- Suitable for industrial applications, for high chemical corrosion resistance;
- Compact and modular design; Ease of installation and maintenance;
- O-ring in EPDM;
- Max operating pressure 150 psi (10 bar); Max  $\Delta p = 2$  bar;
- Operating temperature  $5 \div 49$  °C; Operating pH range  $3 \div 11$ ;
- With 3" DN80 Victaulic In/Out coupling connections and stub pipes in PVC-U PN = 4 bar;
- Straps and saddles included;
- 2014/68/EU Directive compliant for pressure equipment (PED);
- Suitable for high flow "special pleated cartridges", with guiding ring;
- Cartridges dimensions: 6" x 20".

Ref	Description	Fam.	Subfam.		
FBEF20S3	MWG FILTER HOUSING EUROFLOW MONOCART.20" FRP 150PSI SP 3" VICT.	40	114		

Ref	Cartridges Number	Weight (kg)	Capacity (Liters)	Nominal Flow Rate (lpm)
FBEF20S3	n.1 6" x 20"	24	25	330

Box: WxLxH	Box: Q.ty	Box: Weight	Pallet: WxLxH	Pallet: Q.ty	Pallet: Weight

Certificates	Manufacturer	Sectors
DM174-2004 CE	MWG	Industrial



### Cartridge to coupling

- High flow 6 layers "special pleated cartridges" single open-ended;
- Filter media and support in PP, o-ring seal in EPDM; End caps in fiberglass reinforced PP;
- Inside to outside flow pattern;
- External diameter = 6" (152 mm);
- Recommended maximum  $\Delta P$  1,0 bar at 20°C; T max = 80°C. Membrane area = 2,1 m<sup>2</sup>

Ref	Description	Fam.	Subfam.		
FAEF2001	MONOCARTRIDGE PP 20" 1 MICRON FOR MGW EUROFLOW	40	114		
FAEF2005	MONOCARTRIDGE PP 20" 5 MICRON FOR MGW EUROFLOW	40	114		
FAEF2010	MONOCARTRIDGE PP 20" 10 MICRON FOR MGW EUROFLOW	40	114		
FAEF2020	MONOCARTRIDGE PP 20" 20 MICRON FOR MGW EUROFLOW	40	114		
FAEF2050	MONOCARTRIDGE PP 20" 50 MICRON FOR MGW EUROFLOW	40	114		
FAEF20C1	MONOCARTRIDGE PP 20" 100 MICRON FOR MGW EUROFLOW	40	114		
FAEF20CL	MONOCARTRIDGE PP 20" 150 MICRON FOR MWG EUROFLOW	40	114		
FAEF20C2	MONOCARTRIDGE PP 20" 200 MICRON FOR MWG EUROFLOW	40	114		

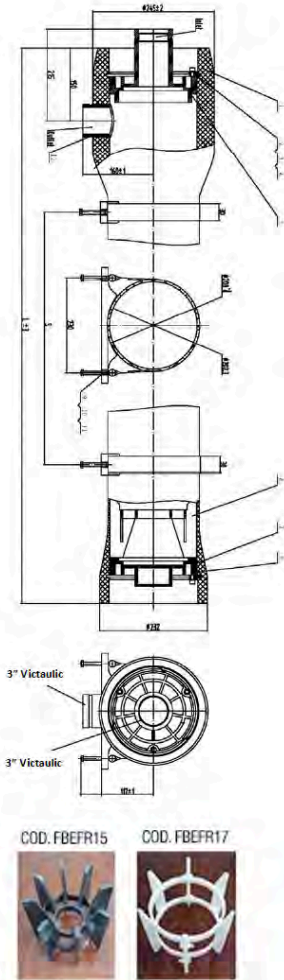
Ref	Micron	Nominal Flow Rate (lpm)
FAEF2001	1	330
FAEF2005	5	330
FAEF2010	10	330
FAEF2020	20	330
FAEF2050	50	330
FAEF20C1	100	330
FAEF20CL	150	330
FAEF20C2	200	330

Box: WxLxH	Box: Q.ty	Box: Weight	Pallet: WxLxH	Pallet: Q.ty	Pallet: Weight

Certificates	Manufacturer	Sectors
DM174-2004 CE	MWG	Industrial



## High Flow Single 20" Cartridge MWG EuroFlow Filter Housings EF Series



Ref	Description	Fam.	Subfam.		
FBEFR27	MWG EUROFLOW LOCKING KIT SEGMENT	40	114		
FBEFR23	MWG EUROFLOW END CAP WITH CONNECTION	40	114		
FBEFR15	MWG EUROFLOW THRUST CONE	40	114		
FBEFR11	190x5.3 O-RING IN EPDM FOR MWG EUROFLOW	40	114		
FBEFR21	MWG EUROFLOW HANDLED CLOSURE	40	114		
FBEFR13	MWG EUROFLOW STRAP L=500 MM	40	114		
H8R001	8" MPV SADDLE FOR 300-1200 PSI	35	180		
FBEFR17	MWG EUROFLOW GUIDING RING	40	114		
EA555	VICT. COUPLING NYLON 300 PSI-3" (88,9 MM) - DN80	35	180		
EA605	PVC-U STUBE PIPE DN80 D90	35	180		

Item	Ref	Q.ty	Material	Note
2+3+4	FBEFR27	6	AISI 304	M8x16
5	FBEFR23	1	ABS	
6	FBEFR15	1	ABS	
7	FBEFR11	3	EPDM	190x5,3
8	FBEFR21	1	ABS	
9+10	FBEFR13	2	AISI 304 - Rubber	
11	H8R001	2	Rubber	
Not shown	FBEFR17	1		
Not shown	EA555	2	NYLON	
Not shown	EA605	2	PVC-U	

Box: WxLxH	Box: Q.ty	Box: Weight	Pallet: WxLxH	Pallet: Q.ty	Pallet: Weight

Ref	L (mm)	S (mm)
FBEF20S3	792	350

Box: WxLxH	Box: Q.ty	Box: Weight	Pallet: WxLxH	Pallet: Q.ty	Pallet: Weight



## High Flow Single 40" Cartridge MWG EuroFlow Filter Housings EF Series



- Single cartridge filter housings with fiberglass reinforced plastic pressure vessels;
- White painted, UVA-ray proof material;
- Suitable for industrial applications, for high chemical corrosion resistance;
- Compact and modular design;
- With n.1 aeration valve and n.1 drain connection;
- Ease of installation and maintenance;
- O-ring in EPDM;
- Max operating pressure 150 psi (10 bar);
- Max  $\Delta p = 2$  bar;
- Operating temperature  $5 \div 49$  °C;
- Operating pH range  $3 \div 11$ ;
- With 3" DN80 Victaulic In/Out coupling connections and stub pipes in PVC-U PN = 4 bar;
- Straps and saddles included;
- 2014/68/EU Directive compliant for pressure equipment (PED);
- Suitable for high flow "special pleated cartridges", with guiding ring;
- Cartridges dimensions 6" x 40".

Ref	Description	Fam.	Subfam.		
FBEF40S3	MWG FILTER HOUSING EUROFLOW MONOCART.40" FRP 150PSI SP 3" VICT.	40	114		

Ref	Cartridges Number	Weight (kg)	Capacity (Liters)	Nominal Flow Rate (lpm)
FBEF40S3	n.1 6" x 40"	27	41	660

Box: WxLxH	Box: Q.ty	Box: Weight	Pallet: WxLxH	Pallet: Q.ty	Pallet: Weight

Certificates	Manufacturer	Sectors
DM174-2004 CE	<b>MWG</b>	Industrial



### Cartridge to coupling

- High flow 6 layers "special pleated cartridges" single open-ended;
- Filter media and support in PP, o-ring seal in EPDM; End caps in fiberglass reinforced PP;
- Inside to outside flow pattern; External diameter = 6" (152 mm);
- Recommended maximum  $\Delta P$  1,0 bar at 20°C. T max = 80°C. Membrane area = 4,5m<sup>2</sup>

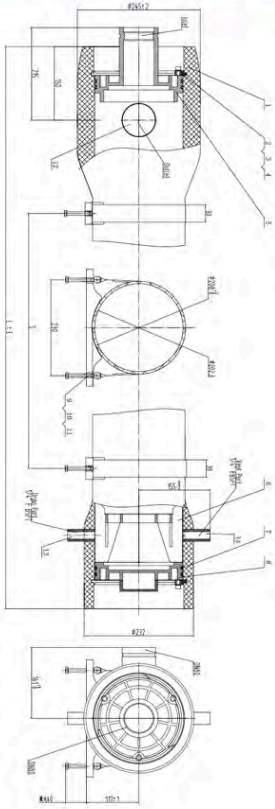
Ref	Description	Fam.	Subfam.		
FAEF4001	MONOCARTRIDGE PP 40" 1 MICRON FOR MGW EUROFLOW	40	114		
FAEF4005	MONOCARTRIDGE PP 40" 5 MICRON FOR MGW EUROFLOW	40	114		
FAEF4010	MONOCARTRIDGE PP 40" 10 MICRON FOR MGW EUROFLOW	40	114		
FAEF4020	MONOCARTRIDGE PP 40" 20 MICRON FOR MGW EUROFLOW	40	114		
FAEF4050	MONOCARTRIDGE PP 40" 50 MICRON FOR MGW EUROFLOW	40	114		
FAEF40C1	MONOCARTRIDGE PP 40" 100 MICRON FOR MGW EUROFLOW	40	114		
FAEF40CL	MONOCARTRIDGE PP 40" 150 MICRON FOR MWG EUROFLOW	40	114		
FAEF40C2	MONOCARTRIDGE PP 40" 200 MICRON FOR MWG EUROFLOW	40	114		

Ref	Micron	Nominal Flow Rate (lpm)
FAEF4001	1	660
FAEF4005	5	660
FAEF4010	10	660
FAEF4020	20	660
FAEF4050	50	660
FAEF40C1	100	660
FAEF40CL	150	660
FAEF40C2	200	660

Certificates	Manufacturer	Sectors
DM174-2004	<b>MWG</b>	Industrial



## High Flow Single 40" Cartridge MWG EuroFlow Filter Housings EF Series



COD. FBEFR15



COD. FBEFR17



Ref	Description	Fam.	Subfam.		
FBEFR27	MWG EUROFLOW LOCKING KIT SEGMENT	40	114		
FBEFR23	MWG EUROFLOW END CAP WITH CONNECTION	40	114		
FBEFR15	MWG EUROFLOW THRUST CONE	40	114		
FBEFR11	190x5.3 O-RING IN EPDM FOR MWG EUROFLOW	40	114		
FBEFR21	MWG EUROFLOW HANDLED CLOSURE	40	114		
FBEFR13	MWG EUROFLOW STRAP L=500 MM	40	114		
H8R001	8" MPV SADDLE FOR 300-1200 PSI	35	180		
FBEFR17	MWG EUROFLOW GUIDING RING	40	114		
EA555	VICT. COUPLING NYLON 300 PSI-3" (88,9 MM) - DN80	35	180		
EA605	PVC-U STUBE PIPE DN80 D90	35	180		

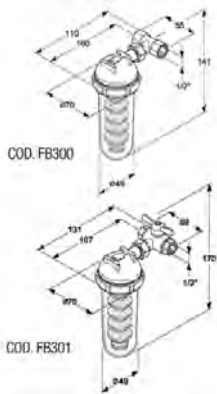
Item	Ref	Q.TY	Material	Note
2+3+4	FBEFR27	6	AISI 304	M8x16
5	FBEFR23	1	ABS	
6	FBEFR15	1	ABS	
7	FBEFR11	3	EPDM	190x5,3
8	FBEFR21	1	ABS	
9+10	FBEFR13	2	AISI 304 - Rubber	
11	H8R001	2	Rubber	
Not shown	FBEFR17	1		
Not shown	EA555	2	NYLON	
Not shown	EA605	2	PVC-U	

Box: WxLxH	Box: Q.ty	Box: Weight	Pallet: WxLxH	Pallet: Q.ty	Pallet: Weight

Ref	L (mm)	S (mm)
FBEF40S3	1300	580



## Polyphosphate Proportioning Feeders

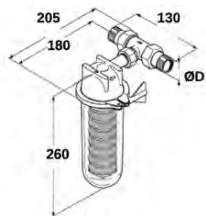


- proportional dosage to water flow through Venturi system;
- average dosage 3 ppm of P2O5;
- chrome pleated brass head, trogamid sump; each feeder includes a polyphosphate package.
- IN-OUT connections 1/2" F;
- max operating pressure 10 bar; max operating temperature 40°C; flow rate 1.500 l/h;
- N.1 polyphosphate refill 160 g.

Ref	Description	Fam.	Subfam.		
FB300	POLYPHOSPHATE FEEDER DP 12 OR	40	111		
FB301	POLYPHOSPHATE FEEDER DP 12 OR-BYPASS	40	111		

Box: WxLxH	Box: Q.ty	Box: Weight	Pallet: WxLxH	Pallet: Q.ty	Pallet: Weight

Certificates	Manufacturer	Sectors
DM174-2004		Domestic, Commercial



- max operating pressure 10 bar;
- max operating temperature 40°C;
- N.2 polyphosphate refills 400 g.

Ref	Description	Fam.	Subfam.		
FB302	POLYPHOSPHATE FEEDER DP 34 OR	40	111		
FB303	POLYPHOSPHATE FEEDER DP 1 OR	40	111		
FB304	POLYPHOSPHATE FEEDER DP 114 OR	40	111		

Ref	In-Out Connections	Flow (l/h)
FB302	3/4" M	2500
FB303	1" M	3500
FB304	1 1/4" M	4400

Box: WxLxH	Box: Q.ty	Box: Weight	Pallet: WxLxH	Pallet: Q.ty	Pallet: Weight

Certificates	Manufacturer	Sectors
DM174-2004		Domestic, Commercial

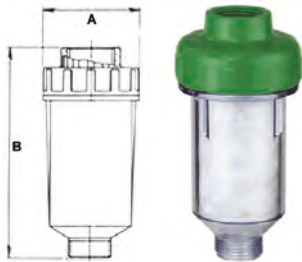
Available polyphosphate packages as spare.

Ref	Description	Fam.	Subfam.		
FB347C	MWG POLYPHOSPHATE COMPACT POWDRE BLISTER (6 REFILL X 80 G)	40	112		
FB347D	MWG POLYPHOSPHATE POWDRE PACK 0,5 KG	40	112		
FB347A	MWG POLYPHOSPHATE POWDRE BOX 1 KG	40	112		

Box: WxLxH	Box: Q.ty	Box: Weight	Pallet: WxLxH	Pallet: Q.ty	Pallet: Weight



## Polyphosphate Crystals Feeder



- polyphosphate crystals feeder antiscalc;
- particular suitable for washing machines – dish washers – boilers;
- initial filling of polyphosphate included;
- max operating pressure 7 bar;
- max operating temperature 35°C.

Ref	Description	Fam.	Subfam.		
FBDC07	POLYPHOSPHATE CRYSTAL FEEDER DC 3/4"	40	106		

Ref	A (mm)	B (mm)	Polyphosphate Filling (g)
FBDC07	68	130	160

Box: WxLxH	Box: Q.ty	Box: Weight	Pallet: WxLxH	Pallet: Q.ty	Pallet: Weight

Certificates	Manufacturer	Sectors
STANDARD EN 1208: 2005	<b>MWG</b>	Domestic, Commercial

## Polyphosphate Crystals White

- based on a mixture of selected high polymerization metaphosphates, in transparent vitreous state white colour;
- typical composition: P2O5 > 60% and Na2O = 30% av.;
- to be used as antiscalc and corrosion inhibitor with water for potable and industrial applications;
- slow dissolution crystals, proportional to crystal size, temperature, pH and water hardness.

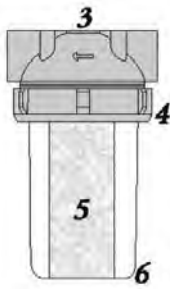
Ref	Description	Fam.	Subfam.		
FB350	MWG WHITE POLYPHOSPHATE CRYSTALS 5-15 MM BOX 25KG	40	112		
FB351	MWG POLYPHOSPHATE CRYSTALS 10-20 MM BOX 25 KG	40	112		

Box: WxLxH	Box: Q.ty	Box: Weight	Pallet: WxLxH	Pallet: Q.ty	Pallet: Weight

Certificates	Manufacturer	Sectors
STANDARD EN 1208: 2005	<b>MWG</b>	Domestic, Commercial



## Polyphosphate Feeders with Cartridges



- Particular suitable for washing machines – dish washers –boilers;
- Chrome pleated brass head (item 3 and 4);
- IN/OUT connections 1/2";
- Grilamid sump (item 6);
- Supplied with the first charge of polyphosphate (170 g);
- Operating flow rate 1200 l/h;
- Max operating temperature= 20°C;
- Max operating pressure = 16 bar;
- Test pressure = 50 bar;
- Empty weight 1.2 kg;
- The presence of silicate ensures greater protection of metal parts against corrosion;
- The spherical shape of the polyphosphate in our FB701 allows a greater regularity of the product consumption and consequently a more regular dosage.

Ref	Description	Fam.	Subfam.		
FB700	POLYPHOSPHATE FEEDER DPC 12	40	111		
FB701	POLYPHOSPHATE FEEDER DPC 12 SPHERIC	40	111		

Box: WxLxH	Box: Q.ty	Box: Weight	Pallet: WxLxH	Pallet: Q.ty	Pallet: Weight

Certificates	Manufacturer	Sectors
DM174-2004 , DM25/2012		Domestic, Commercial

## Spare Parts and Accessories

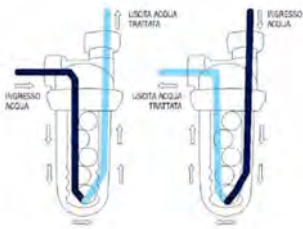
Ref	Description	Fam.	Subfam.		
FB730	SPARE CARTRIDGE FOR DPC 12	40	112		
FB731	REPLACEMENT CARTRIDGE FOR DPC 12 SFERIC	40	112		
FB317A	WRENCH FOR FB700 AND FB701	40	112		

ITEM	Ref	Description
5	FB730	SPARE CARTRIDGE FOR DPC 12
5	FB731	REPLACEMENT CARTRIDGE FOR DPC 12 SFERIC
Not shown	FB317A	WRENCH FOR FB700 AND FB701

Box: WxLxH	Box: Q.ty	Box: Weight	Pallet: WxLxH	Pallet: Q.ty	Pallet: Weight



## Polyphosphate Feeders with Cartridges



- Particular suitable for washing machines – dish washers – boilers;
- Chrome plated brass head (item 1 and 4), Grilamid sump (item 5);
- ½" inlet and ½" outlet can be either vertical or horizontal connection: a kit provides a reduction from ¾" to ½";
- Supplied with the first charge of polyphosphate (item 3);
- Operating flow rate 1200 l/h;
- Max operating temperature = 40°C;
- Max operating pressure = 10 bar, Test pressure = 30 bar;
- Empty weight 700 g;
- Available on demand a wrench (our ref. FB317) to facilitate the disassembly of the housing.

Ref	Description	Fam.	Subfam.		
FB702	POLYPHOSPHATE FEEDER DPC 12-34	40	111		

Box: WxLxH	Box: Q.ty	Box: Weight	Pallet: WxLxH	Pallet: Q.ty	Pallet: Weight

Certificates	Manufacturer	Sectors
DM174-2004 DM25-2012		Domestic, Commercial

## Spare Parts and Accessories



Ref	Description	Fam.	Sotto Fam.		
FB732	N. 2 REPLACEMENT CARTRIDGE FOR DPC 12 - 34	40	112		
FB317	SPANNER FOR FB702	40	112		

ITEM	Ref	Description
3	FB732	N. 2 REPLACEMENT CARTRIDGE FOR DPC 12 - 34
6	FB317	SPANNER FOR FB702

Box: WxLxH	Box: Q.ty	Box: Weight	Pallet: WxLxH	Pallet: Q.ty	Pallet: Weight