

A large, dynamic splash of water in shades of light blue and white, filling the background of the page. The splash is centered and spreads outwards, creating a sense of movement and freshness.

EUROTROL®

WATER TREATMENT COMPONENTS

UV

MWG
UV sterilizers
and spare parts

INDEX

Residential U.V. Sterilizers Inox



- Monolamp U.V. sterilizer of close construction in AISI 304 polished material for point-of-use treatment devices;
- Complete with n.2 diameter 2" fixing clips and with n.2 JACO 1/4" elbows;
- Power box with electronic circuit, cable and plug;
- Failure led and alarm system;
- Lamp quartz sheath;
- Max operating pressure 7 bar;
- Temperature 2 ÷ 40°C;
- Power supply 230 V - 50 Hz;
- Irradiation > 30 mJ/cm²;
- Lamp life 8.000 hours;
- Protection class IP42.

Ref	Description	Fam.	Subfam.	Disp. Stock
HA300	UV STERILIZER HR-60 220V-50HZ 1/4" BSP M	055	250	•
HA302	UV SERILIZER PC-1 10WATT 220V-50HZ -1/4" BSP M	055	250	•

Ref	Max flow (l/h)	Power (w)	Connections	Diameter (mm)	Length (mm)
HA300	240	10	1/4" BSP M	50,8	260
HA302	240	10	1/4" BSP M	50,8	268

Box: WxLxH	Box: Q.ty	Box: Weight	Pallet: WxLxH	Pallet: Q.ty	Pallet: Weight

Certificates	Manufacturer	Sectors
DM174-2004, ACS, CE	MWG	Domestic

Residential U.V. Sterilizers W Series



- To be used for residential water disinfection systems;
- Monolamp U.V. sterilizer of close construction in AISI 304 polished material;
- Power box with electronic circuit, cable and plug;
- Failure led and alarm system;
- Lamp quartz sheath;
- Max operating pressure 7 bar;
- Temperature 2 ÷ 40°C;
- Power supply 230 V - 50 Hz;
- Irradiation > 30 mJ/cm²;
- Lamp life 10.000 hours;
- Protection class IP42.

Ref	Description	Fam.	Subfam.	Disp. Stock
HA310	UV STERILIZER W-180 220V-50HZ 15W - 1/2" BSP M	055	250	•
HA315	UV STERILAZER W-360 220V-50HZ 21W-1/2" BSP M	055	250	•
HA320	UV STERILIZER W-80 220V-50HZ 29W-1/2" BSP M	055	250	•
HA325	UV STERILIZER W-720 220V-50HZ 40W - 3/4" BSP M	055	250	•

Ref	Max flow (l/h)	N. Lamps	Power (w)	Diameter (mm)	Lenght (mm)
HA310	680	1	15	63,5	364
HA315	1360	1	21	63,5	544
HA320	1810	1	29	63,5	694
HA325	2720	1	40	63,5	924

Certificates	Manufacturer	Sectors
DM174-2004, ACS, CE	MWG	Domestic

Industrial U.V. Sterilizers FC Series



- To be used for commercial and industrial water disinfection systems;
- Monolamp U.V. sterilizer with polished AISI 304 sterilizing chamber (option in AISI 316L not available in stock) with inspection window and drain connection;
- Electric box with electronic circuit, connection cable, operating time meter and switch;
- Operating and failure led, with alarm system (excepted models FC-35 and FC-45);
- Lamp quartz sheath;
- Max operating pressure 7 bar, temperature $2 \pm 40^{\circ}\text{C}$;
- Power supply 230 V - 50 Hz, irradiation $> 40 \text{ mJ/cm}^2$, lamp life 10.000 hours;
- Protection class IP43;
- Possibility of connection with shut down solenoid valve (only for models FC-35 and FC-45).

Ref	Description	Fam.	Subfam.	Disp. Stock	
HA350	UV STERILIZER FC-8 220V-50HZ 29W - 3/4" BSP M	055	251	•	
HA350A	UV STERILIZER FC-8 220V-50HZ 29W-3/4" BSP M 316L	055	251		
HA355	UV STERILIZER FC-12 220V-50HZ 40W - 1" BSP M	055	251	•	
HA355A	UV STERILIZER FC-12 220V-50HZ 40W - 1" BSP M 316L	055	251		
HA360	UV STERILIZER FC-15 220V-50HZ 65W - 1" BSP M	055	251	•	
HA360A	UV STERILIZER FC-15 220V-50HZ 65W - 1" BSP M 316L	055	251		
HA365	UV STERILIZER FC-20 220V-50HZ 65W-1.1/2" BSP M	055	251	•	
HA365A	UV STERILIZER FC-20 220V-50HZ 65W-1.1/2" BSP M 316L	055	251		
HA370	UV STERILIZER FC-24 220V-50HZ 80W - 1 1/2" BSPM	055	251	•	
HA370A	UV STERILIZER FC-24 220V-50HZ 80W - 1 1/2" BSPM 316L	055	251		
HA375	UV SERILIZER FC-35 220V-50HZ 100W-2" BSP M	055	251	•	
HA375A	UV STERILIZER FC-35 220V-50HZ 100W - 2"BSP M 316L	055	251		
HA380	UV STERILIZER FC-45 220V-50HZ 120W - 2" BSP M	055	251	•	
HA380A	UV STERILIZER FC-45 220V-50HZ 120W-2" BSP M AISI 316L	055	251		

Certificates	Manufacturer	Sectors
DM174-2004 CE	MWG	Commercial, Industrial



Industrial Flanged Multilamp U.V. Sterilizers FC-D Series

- To be used for industrial water disinfection systems;
- Multilamp U.V. sterilizer with polished AISI 304 sterilizing chamber (option in AISI 316L not available in stock) with inspection window and drain connection;
- Electric box with electronic circuit, connection cable, operating time meter and switch;
- Operating and service/failure led;
- Lamp quartz sheath;
- Max operating pressure 7 bar;
- Temperature $2 \div 40^{\circ}\text{C}$;
- Power supply 230 V - 50 Hz;
- Irradiation $> 40 \text{ mJ/cm}^2$;
- Lamp life 10.000 hours;
- Protection class IP43;
- Possibility of connection with
- Shut down solenoid valve;

Ref	Description	Fam.	Subfam.	Disp. Stock	
HA400	UV STERILIZER FC-70D 220V-50HZ 2x100W - DN50	055	252	•	
HA400A	UV STERILIZER FC-70D 220V-50HZ 2x100W - DN50 316L	055	252		
HA410	UV STERILIZER FC-120D 220V-50HZ 3x120W - DN65	055	252	•	
HA410A	UV STERILIZER FC-120D 220V-50HZ 3x120W - DN65 316L	055	252		
HA420	UV STERILIZER FC-180D 220V-50HZ 5x120W - DN80	055	252	•	
HA420A	UV STERILIZER FC-180D 220V-50HZ 5x120W-DN80 316L	055	252		
HA430	UV STERILIZER FC-250D 220V-50HZ 7x120W - DN100	055	252	•	
HA430A	UV STERILIZER FC-250D 220V-50HZ 7x120W - DN100 316L	055	252		

Ref	AISI	Max flow (l/h)	N. Lamps	Power (w)	Connect.	Diameter (mm)	Length (mm)
HA400	304	15.900	2	200	DN50 Flanged	220	1.250
HA400A	316L	15.900	2	200	DN50 Flanged	220	1.250
HA410	304	27.250	3	360	DN65 Flanged	273	1.250
HA410A	316L	27.250	3	360	DN65 Flanged	273	1.250
HA420	304	40.880	5	600	DN80 Flanged	323	1.250
HA420A	316L	40.880	5	600	DN80 Flanged	323	1.250
HA430	304	56.780	7	840	DN100 Flanged	400	1.250
HA430A	316L	56.780	7	840	DN100 Flanged	400	1.250

Certificates	Manufacturer	Sectors
DM174-2004 CE	MWG	Industrial

U.V. Sterilizers HR - PC - W - FC - FC/D Spare Parts

Ref	Description	Fam.	Subfam.	Disp. Stock	
HA500	LAMP UV- T5L10W	055	255	•	
HA502	LAMP UV - T5L15W	055	255	•	
HA504	LAMP UV - T5L21W	055	255	•	
HA506	LAMP UV - T5L29W	055	255	•	
HA508	LAMP UV - T5L40W	055	255	•	
HA510	LAMP UV - T5L65W	055	255	•	
HA512	LAMP UV - T5L85W	055	255	•	
HA514	LAMP UV - T6L100W	055	255	•	
HA516	LAMP UV - T6L120W	055	255	•	
HA530	QUARZ FOR LAMP UV - T5L10W D.24,5 X L. 250 mm ONE OPEN END	055	255	•	
HA531	QUARZ FOR LAMP UV - T5L10W D.24,5 X L. 250 mm	055	255	•	
HA532	QUARZ FOR LAMP UV - T5L15W D.24,5 X L.350 mm	055	255	•	
HA534	QUARZ FOR LAMP UV - T5L21W D.24,5 X L.530 mm	055	255	•	
HA536	QUARZ FOR LAMP UV - T5L29W D.24,5 X L.680 mm	055	255	•	
HA538	QUARZ FOR LAMP UV - T5L40-65W D.24,5 X L.910 mm	055	255	•	
HA540	QUARZ FOR LAMP UV - T6L80W D.30,0 X L.910 mm	055	255	•	
HA542	QUARZ FOR LAMP UV - T6L100-120W D.30,0 X L.1205 mm	055	255	•	
HA550	SILICONE O-RING FOR QUARTZ SHEATH D.24,5 mm	055	255	•	
HA550A	VITON O-RING FOR QUARTZ SHEATH D. 24,5 mm	055	255	•	
HA552A	VITON O-RING FOR QUARTZ SHEATH D. 30,0 mm	055	255	•	
HA560	ELECTRONIC BALLAST UVC-1021,230V 50-60HZ FOR LAMP 10-21W	055	255	•	
HA562	ELECTRONIC BALLAST UVC-2040,230V 50-60HZ FOR LAMP 29- 40W	055	255	•	
HA563	ELECTRONIC BALLAST UVC-2040,230V 50-60HZ INSIDE Q.E. FOR LAMP 29-40W	055	255	•	
HA564	ELECTRONIC BALLAST UVC-6585,230V 50-60HZ INSIDE Q.E. FOR LAMP 65-80W	055	255	•	
HA566	ELECTRONIC BALLAST UV12 100-240 V/50HZ 90-155W SINGLE-LAMP	055	255	•	
HA570	COMPLETE CONTROL BOX FC-8-12	055	255	•	
HA572	COMPLETE CONTROL BOX FC-15-20-24	055	255	•	
HA574	COMPLETE COMTROL BOX FC-35/45	055	255	•	
HA576	COMPLETE CONTROL BOX FC-70D	055	255	•	
HA577	COMPLETE CONTROL BOX FC-120D	055	255	•	
HA578	COMPLETE CONTROL BOX FC-180D	055	255	•	
HA579	COMPLETE CONTROL BOX FC-250D	055	255	•	

U.V. Sterilizers HR - PC - W - FC - FC/D Spare Parts

Ref	Sterilizers UV
HA500	HR-60 PC-1
HA502	W-180
HA504	W-360
HA506	W-480 FC-8
HA508	W-720 FC-12
HA510	FC-15 FC-20
HA512	FC-24
HA514	FC-35 2x FC-70D
HA516	FC-35 3x FC-120D 5x FC-180D 7x FC-250D
HA530	HR-60
HA531	PC-1
HA532	W-180
HA534	W-360
HA536	W-480 FC-8
HA538	W-720 FC-20 FC-15
HA540	FC-20 FC-24
HA542	FC-35 FC-45 2x FC-70D 3x FC-120D 5x FC-180D 7x FC-250D
HA550	HR-60 PC-1 W-180 W-360 W-480 W-720
HA550A	FC-8 FC-12 FC-15
HA552A	FC-20 FC-24 FC-35 FC-45 FC-70D FC-120D FC-180D FC-250D
HA560	HR-60 PC-1 W-180 W-360
HA562	W-480 W-720
HA563	FC-8 FC-12
HA564	FC-15 FC-20 FC-24
HA566	FC-35 FC-45 FC-70D FC-120D FC-180D FC-250D
HA570	FC-8 FC-12
HA572	FC-15 FC-20 FC-24
HA574	FC-35 FC-45
HA576	FC-70D
HA577	FC-120D
HA578	FC-180D
HA579	FC-250D

Old U.V. Sterilizers Spare Parts

Ref	Description	Fam.	Subfam.	Disp. Stock	
HA055	LAMPADA UV-6W	055	255		
HA049	LAMPADA UV 6 WATT 2+2 PIN	055	255		
HA051	LAMP UV 12 WATT	055	255	•	
HA052	LAMP UV 16 WATT	055	255	•	
HA053	LAMP UV 30 WATT	055	255	•	
HA054	LAMP UV 40 WATT	055	255	•	
HA056	LAMP UV 80 WATT	055	255	•	
HA065	QUARZO PER LAMPADA UV-6W	055	255		
HA067	QUARZO PER LAMPADA UV 6 WATT INOX	055	255		
HA060	QUARZ FOR LAMP UV 10 WATT	055	255	•	
HA061	QUARZ FOR LAMP UV 12 WATT	055	255	•	
HA062	QUARZ FOR LAMP UV 16 WATT	055	255	•	
HA063	QUARZ FOR LAMP UV 30 WATT	055	255	•	
HA064	QUARZ FOR LAMP UV 40 W E 80 W	055	255	•	
HA074	O-RING FOR QUARTZ SHEATH	055	255	•	
HA069	BALLAST 220V/50HZ DEBATT. UV-6W	055	255		
HA070	UV 12 - UV 16 STERILIZER TRANSFORMER	055	255		
HA073	POWER ELECTRICAL BOARD FOR UV 30 - 40 - 240 - 340	055	255		
HA073A	POWER ELECTRICAL BOARD FOR UV 440-540	055	255		

Industrial U.V. Sterilizers in HDPE

- Made in European Union (Italy);
- To be used for industrial water disinfection systems;
- With reactor in HDPE, available on demand with sensor;
- Electric box with electronic circuit, connection cable, operating time meter and switch;
- Operating and failure led;
- With lamp quartz sheath;
- Available on request with UL certificate (for USA and Canada);
- Conform with EAC certificate for Russia and near-by Countries;
- Conform with Norwegian Restrictive Quality Certification for drinking water in Norway;
- Conform with a Norwegian certification of National Veterinary Institute, which gives the leading rules applied world wide in the sector of the fish farm;
- Max operating pressure 6 bar (4 bar for HA830 and HA832);
- UVC transmittance 99% - 1cm, UVC dose 400 J/m2 ;
- Power supply 230 V - 50/60 Hz; Reactor protection class IP65;
- Control panel protection class IP54 (IP55 for models less than 15 m3/h);
- Possibility of connection with shut down solenoid valve;
- Optional cleaning system.
- Temperature: 5 ÷ 35°C;
- ↑ From bottom to top. ↔ Both directions.

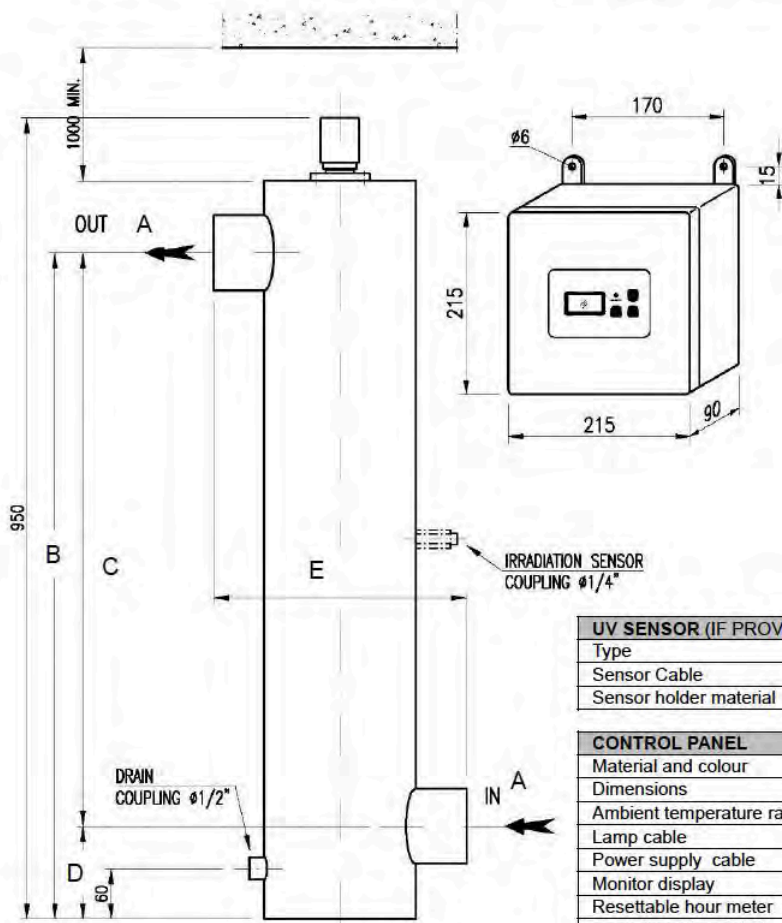
Ref	Description	Fam.	Subfam.	Disp. Stock	
HA800N	UV STERILIZER UV IN HDPE 3 M3/H	055	254		
HA800	UV STERILIZER IN HDPE 3 M3/H WITH DOSING SENSOR	055	254		
HA802N	UV STERILIZER IN HDPE 5 M3/H	055	254		
HA802	UV STERILIZER IN HDPE 5 M3/H WITH SENSOR	055	254		
HA804N	UV STERILIZER IN HDPE 8 M3/H	055	254		
HA804	UV STERILIZER IN HDPE 8 M3/H WITH SENSOR	055	254		
HA806N	UV STERILIZER IN HDPE 15 M3/H	055	254		
HA806	UV STERILIZER IN HDPE 15 M3/H WITH SENSOR	055	254		
HA808	UV STERILIZER IN HDPE 22 M3/H WITH SENSOR	055	254		
HA810	UV STERILIZER IN HDPE 35 M3/H WITH SENSOR	055	254		
HA812	UV STERILIZER IN HDPE 45 M3/H WITH SENSOR	055	254		
HA814	UV STERILIZER IN HDPE 61 M3/H WITH SENSOR	055	254		
HA816	UV STERILIZER IN HDPE 90 M3/H WITH SENSOR	055	254		
HA818	UV STERILIZER IN HDPE 110 M3/H WITH SENSOR	055	254		
HA820	UV STERILIZER IN HDPE 150 M3/H WITH SENSOR	055	254		
HA822	UV STERILIZER IN HDPE 250 M3/H WITH SENSOR	055	254		
HA824	UV STERILIZER IN HDPE 340 M3/H WITH SENSOR	055	254		
HA826	UV STERILIZER IN HDPE 470 M3/H WITH SENSOR	055	254		
HA828	UV STERILIZER IN HDPE 600 M3/H WITH SENSOR	055	254		
HA830	UV STERILIZER IN HDPE 830 M3/H WITH SENSOR	055	254		
HA832	UV STERILIZER IN HDPE 980 M3/H WITH SENSOR	055	254		

Ref	Total consumption (w)	N°Lamps	Lamp power (w)	Life span lamps	In/Out connections	Mounting	Flow direction
HA800N	40	1	40	9.000	1½" F	Vert.	↑
HA800	40	1	40	9.000	1½" F	Vert.	↑
HA802N	80	1	80	9.000	1½" F	Vert.	↑
HA802	80	1	80	9.000	1½" F	Vert.	↑
HA804N	80	2	40	9.000	2½" F	Vert.	↑
HA804	80	2	40	9.000	2½" F	Vert.	↑
HA806N	160	2	80	9.000	2½" F	Vert.	↑
HA806	160	2	80	9.000	2½" F	Vert.	↑
HA808	260	3	80	9.000	DN65	Vert.	↑
HA810	335	4	80	9.000	DN80	Vert.	↑
HA812	440	5	80	9.000	DN100	Vert.	↑
HA814	440	2	200	12.000	DN100	Vert.	↑
HA816	660	3	200	12.000	DN100	Orizz.	↔
HA818	880	2	400	16.000	DN150	Orizz.	↔
HA820	1300	3	400	16.000	DN200	Orizz.	↔
HA822	1760	4	400	16.000	DN250	Orizz.	↔
HA824	2180	5	400	16.000	DN250	Orizz.	↔
HA826	3100	7	400	16.000	DN300	Orizz.	↔
HA828	3500	8	400	16.000	DN350	Orizz.	↔
HA830	4400	10	400	16.000	DN400	Orizz.	↔
HA832	5300	12	400	16.000	DN450	Orizz.	↔

Certificates	Manufacturer	Sectors
DM174-2004 CE, EAC	MWG	Industrial

Industrial U.V. Sterilizers in HDPE

REF.	REACTOR VOLUME (liters)	REACTOR WEIGHT (kg)	IN-OUT	B (mm)	C (mm)	D (mm)	E (mm)
HA800N	6	4	1 1/2" F	807	727	80	200
HA800	6	4	1 1/2" F	807	727	80	200
HA802N	6	4	1 1/2" F	807	727	80	200
HA802	6	4	1 1/2" F	807	727	80	200
HA804N	12,4	8	2 1/2" F	790	680	110	300
HA804	12,4	8	2 1/2" F	790	680	110	300
HA806N	12,4	11	2 1/2" F	790	680	110	300
HA806	12,4	11	2 1/2" F	790	680	110	300

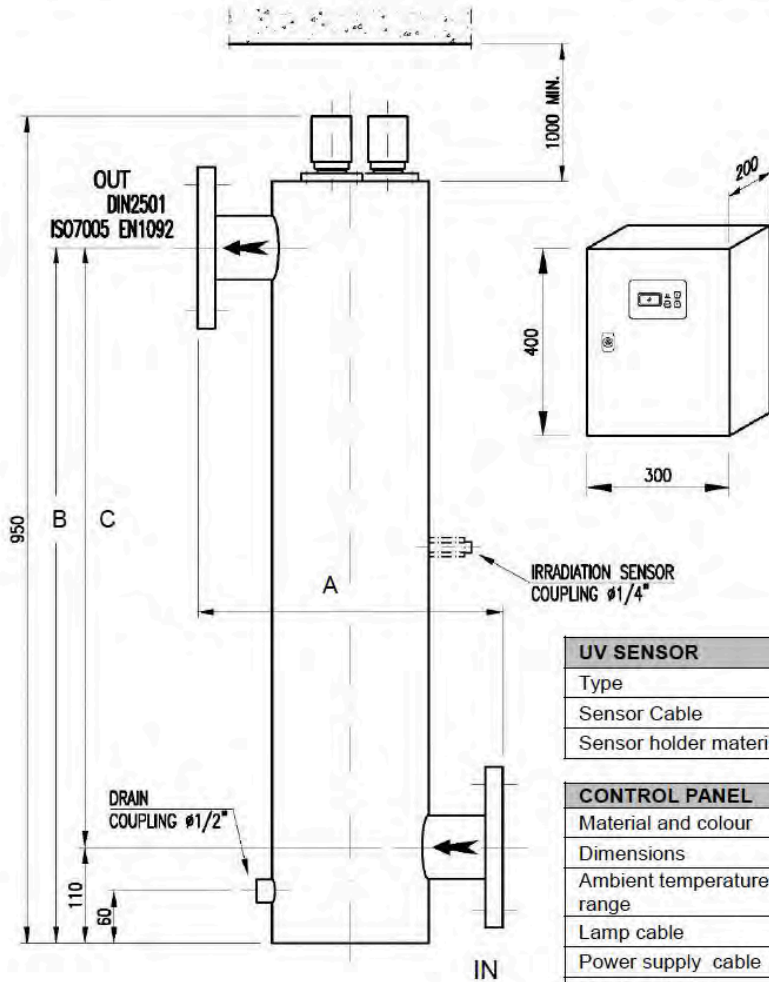


UV SENSOR (IF PROVIDED)	
Type	UVC selective sensor Mod. UV737TF
Sensor Cable	Shielded cable 4 meters
Sensor holder material	Teflon

CONTROL PANEL	LCD
Material and colour	Black Polypropylene
Dimensions	215 x 215 x 90 mm
Ambient temperature range	5 - 45 °C
Lamp cable	1 m
Power supply cable	1 m
Monitor display	LCD
Resettable hour meter	Yes for lamp life control
Lamp function control	Si
Free contact (NO - NC)	Yes - general alarm (max 2 A)
230 V output (NO - NC)	Yes - general alarm (max 2 A)
Remote ON/OFF contact	Yes (settable)
ON/OFF Timer	Yes (settable)
Reactor temperature measurement and alarm	Yes (°C) - settable value (shut off for high temperature) on Models with Sensor
UV Irradiance measurement and alarm	Yes (% or W/m ² optional) - settable value on Models with Sensor
4/20 mA output	Optional - for Irradiance and water temperature on Models with Sensor

Industrial U.V. Sterilizers in HDPE

REF.	REACTOR VOLUME (liters)	REACTOR WEIGHT (kg)	IN/OUT CONNECTIONS	A (mm)	B (mm)	C (mm)
HA808	12,7	11	Flange DN65	350	799	689
HA810	20,1	16	Flange DN80	400	790	680

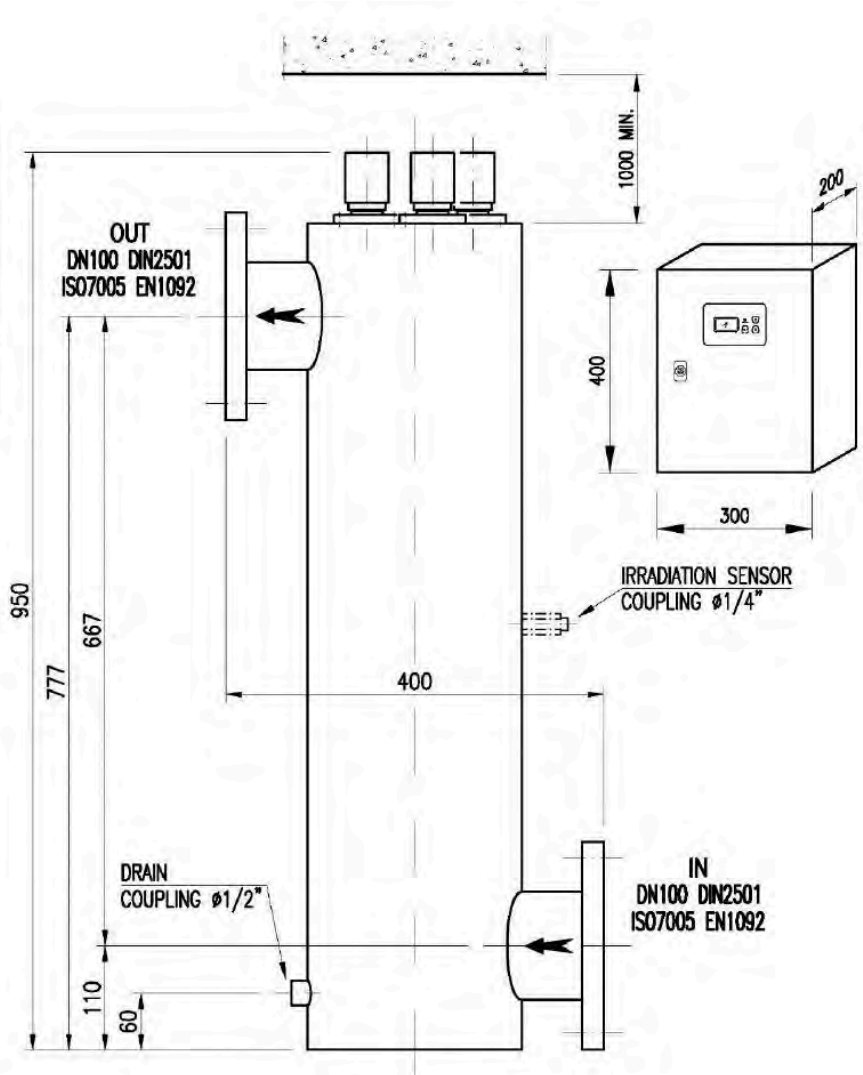


UV SENSOR	
Type	UVC selective sensor Mod. UV737TF
Sensor Cable	Shielded cable 4 meters
Sensor holder material	Teflon

CONTROL PANEL	RACK LCD PLUS
Material and colour	Painted Steel – RAL 7035
Dimensions	400 x 300 x 200 mm
Ambient temperature range	5 – 45 °C
Lamp cable	1 m
Power supply cable	1 m
Monitor display	LCD
Resettable hour meter	Yes for lamp life control
Lamp function control	Si
Free contact (NO - NC)	Yes – general alarm (max 2 A)
230 V output (NO - NC)	Yes – general alarm (max 2 A)
Remote ON/OFF contact	Yes (settable)
ON/OFF Timer	Yes (settable)
Reactor temperature measurement and alarm	Yes (°C) – settable value (shut off for high temperature)
UV Irradiance measurement and alarm	Yes (% or W/m ² optional) – settable value
4/20 mA output	Optional – for Irradiance and water temperature

Industrial U.V. Sterilizers in HDPE

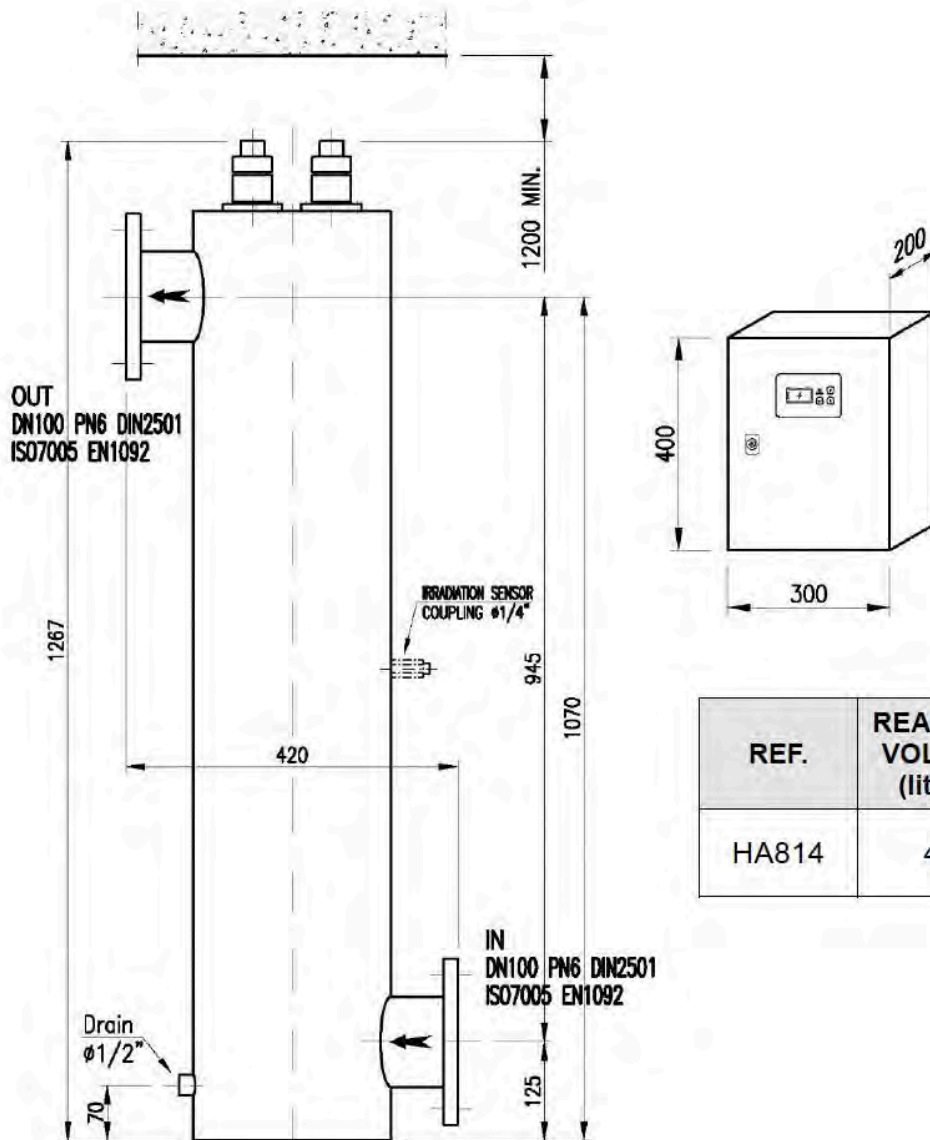
REF.	REACTOR VOLUME (liters)	REACTOR WEIGHT (kg)
HA812	20,5	19



UV SENSOR	
Type	UVC selective sensor Mod. UV737TF
Sensor Cable	Shielded cable 4 meters
Sensor holder material	Teflon

CONTROL PANEL	RACK LCD PLUS
Material and colour	Painted Steel – RAL 7035
Dimensions	400 x 300 x 200 mm
Ambient temperature range	5 – 45 °C
Lamp cable	1 m
Power supply cable	1 m
Monitor display	LCD
Resettable hour meter	Yes for lamp life control
Lamp function control	Si
Free contact (NO - NC)	Yes – general alarm (max 2 A)
230 V output (NO - NC)	Yes – general alarm (max 2 A)
Remote ON/OFF contact	Yes (settable)
ON/OFF Timer	Yes (settable)
Reactor temperature measurement and alarm	Yes (°C) – settable value (shut off for high temperature)
UV Irradiance measurement and alarm	Yes (% or W/m ² optional) – settable value
4/20 mA output	Optional – for Irradiance and water temperature

Industrial U.V. Sterilizers in HDPE

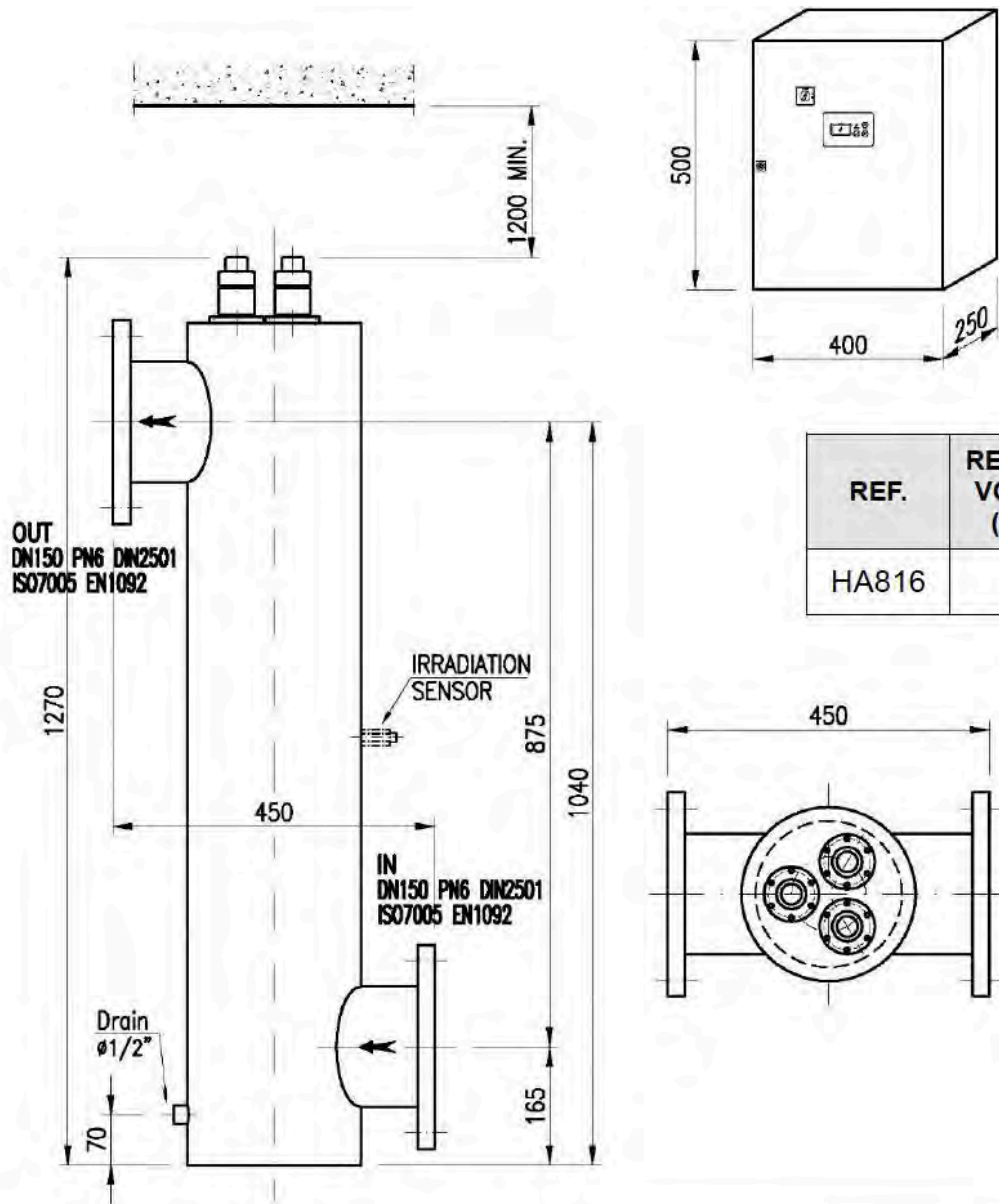


REF.	REACTOR VOLUME (liters)	REACTOR WEIGHT (kg)
HA814	40	30

UV SENSOR	
Type	UVC selective sensor Mod. UV737TF
Sensor Cable	Shielded cable 4 meters
Sensor holder material	Teflon

CONTROL PANEL	RACK LCD PLUS
Material and colour	Painted Steel – RAL 7035
Dimensions	400 x 300 x 200 mm
Ambient temperature range	5 – 45 °C
Lamp cable	1 m
Power supply cable	1 m
Monitor display	LCD
Resettable hour meter	Yes for lamp life control
Lamp function control	Si
Free contact (NO - NC)	Yes – general alarm (max 2 A)
230 V output (NO - NC)	Yes – general alarm (max 2 A)
Remote ON/OFF contact	Yes (settable)
ON/OFF Timer	Yes (settable)
Reactor temperature measurement and alarm	Yes (°C) – settable value (shut off for high temperature)
UV Irradiance measurement and alarm	Yes (% or W/m ² optional) – settable value
4/20 mA output	Optional – for Irradiance and water temperature

Industrial U.V. Sterilizers in HDPE



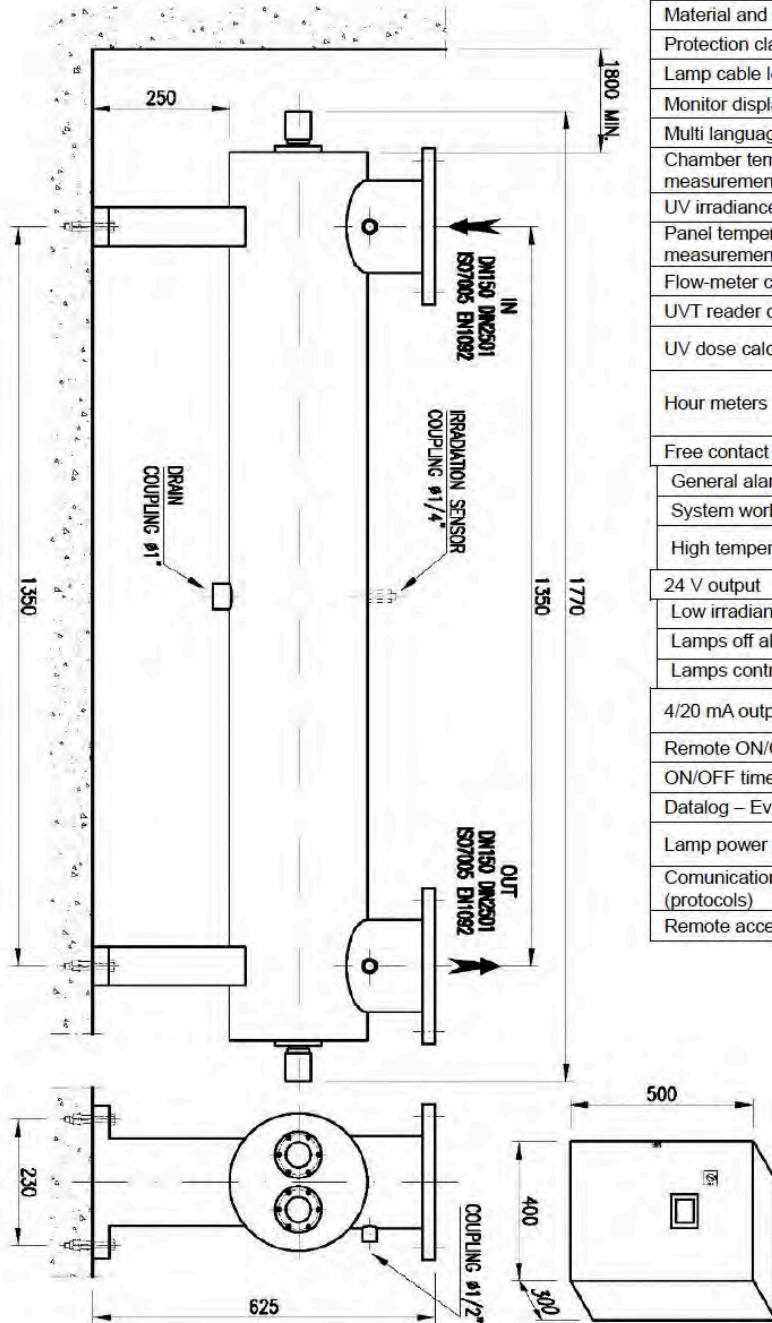
REF.	REACTOR VOLUME (liters)	REACTOR WEIGHT (kg)
HA816	40	30

UV SENSOR	
Type	UVC selective sensor Mod. UV737TF
Sensor Cable	Shielded cable 4 meters
Sensor holder material	Teflon

CONTROL PANEL	RACK LCD PLUS
Material and colour	Painted Steel - RAL 7035
Dimensions	400 x 300 x 200 mm
Ambient temperature range	5 - 45 °C
Lamp cable	1 m
Power supply cable	1 m
Monitor display	LCD
Resettable hour meter	Yes for lamp life control
Lamp function control	Si
Free contact (NO - NC)	Yes - general alarm (max 2 A)
230 V output (NO - NC)	Yes - general alarm (max 2 A)
Remote ON/OFF contact	Yes (settable)
ON/OFF Timer	Yes (settable)
Reactor temperature measurement and alarm	Yes (°C) - settable value (shut off for high temperature)
UV Irradiance measurement and alarm	Yes (% or W/m² optional) - settable value
4/20 mA output	Optional - for Irradiance and water temperature

Industrial U.V. Sterilizers in HDPE

REF.	REACTOR VOLUME (liters)	REACTOR WEIGHT (kg)
HA818	50	42

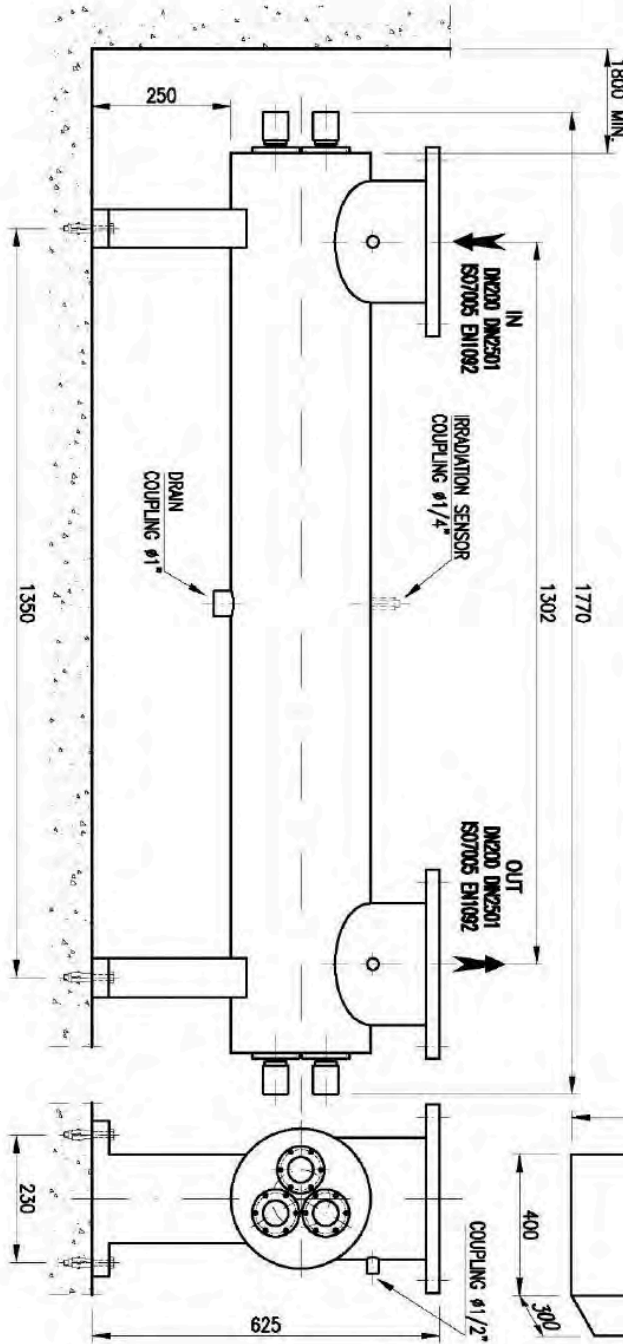


UV SENSOR	
Type	UVC selective sensor Mod. UV737TF
Sensor Cable	Shielded cable 4 meters
Sensor holder material	Teflon

CONTROL PANEL	TC
Material and colour	Painted Steel – RAL 7035
Protection class	IP 54
Lamp cable length	2,5 m
Monitor display	Touch-Screen (65000 colours)
Multi language display	Yes
Chamber temperature measurement	Yes (°C)
UV irradiance measurement	Yes (% or W/m ²)
Panel temperature measurement	Yes (°C)
Flow-meter connection	Yes (4-20 mA)
UVT reader connection	Yes (4-20 mA)
UV dose calculation	Optional (only with external flow meter)
Hour meters	For total system life – Resettable for lamp life control
Free contact alarms (N/O)	Yes (max 1.3 A)
General alarm	Yes (settable contact working)
System working signal	Yes
High temperature alarm	Yes for panel and reactor (shut off for high temperature)
24 V output	Yes
Low irradiance alarm	Yes (settable value)
Lamps off alarm	Yes
Lamps control on/off	Yes
4/20 mA output	Yes for irradiance and temperature
Remote ON/OFF	Yes (settable contact working)
ON/OFF timer	Yes
Datalog – Events	Yes
Lamp power regulation	Manual or Automatic (dose or flow pacing)
Communication ports (protocols)	CAN, Ethernet, USB, Seriale (Modbus, TCP/IP, CANopen)
Remote access	with specific App or WebGate

Industrial U.V. Sterilizers in HDPE

REF.	REACTOR VOLUME (liters)	REACTOR WEIGHT (kg)
HA820	52,3	42

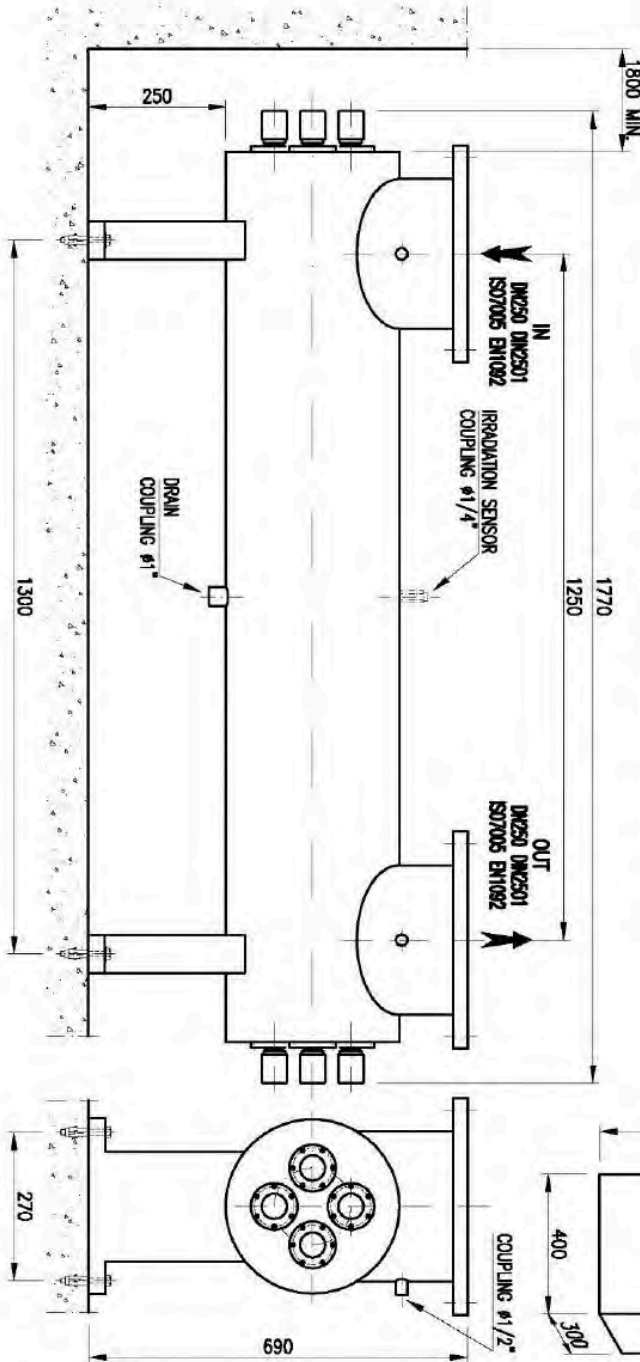


UV SENSOR	
Type	UVC selective sensor Mod. UV737TF
Sensor Cable	Shielded cable 4 meters
Sensor holder material	Teflon

CONTROL PANEL	TC
Material and colour	Painted Steel – RAL 7035
Protection class	IP 54
Lamp cable length	2,5 m
Monitor display	Touch-Screen (65000 colours)
Multi language display	Yes
Chamber temperature measurement	Yes (°C)
UV irradiance measurement	Yes (% or W/m ²)
Panel temperature measurement	Yes (°C)
Flow-meter connection	Yes (4-20 mA)
UVT reader connection	Yes (4-20 mA)
UV dose calculation	Optional (only with external flow meter)
Hour meters	For total system life – Resettable for lamp life control
Free contact alarms (N/O)	Yes (max 1.3 A)
General alarm	Yes (settable contact working)
System working signal	Yes
High temperature alarm	Yes for panel and reactor (shut off for high temperature)
24 V output	Yes
Low irradiance alarm	Yes (settable value)
Lamps off alarm	Yes
Lamps control on/off	Yes
4/20 mA output	Yes for irradiance and temperature
Remote ON/OFF	Yes (settable contact working)
ON/OFF timer	Yes
Datalog – Events	Yes
Lamp power regulation	Manual or Automatic (dose or flow pacing)
Communication ports (protocols)	CAN, Ethernet, USB, Seriale (Modbus, TCP/IP, CANopen)
Remote access	with specific App or WebGate

Industrial U.V. Sterilizers in HDPE

REF.	REACTOR VOLUME (liters)	REACTOR WEIGHT (kg)
HA822	84	52



UV SENSOR	
Type	UVC selective sensor Mod. UV737TF
Sensor Cable	Shielded cable 4 meters
Sensor holder material	Teflon

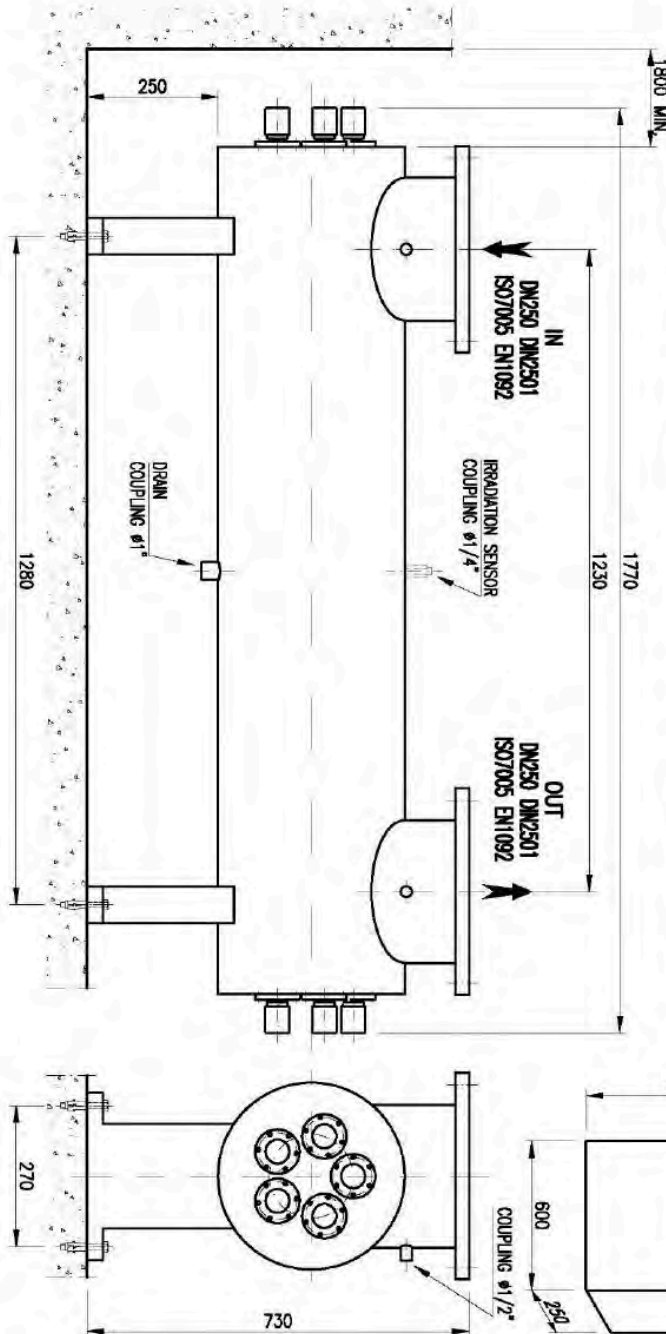
CONTROL PANEL	TC
Material and colour	Painted Steel – RAL 7035
Protection class	IP 54
Lamp cable length	2,5 m
Monitor display	Touch-Screen (65000 colours)
Multi language display	Yes
Chamber temperature measurement	Yes (°C)
UV irradiance measurement	Yes (% or W/m ²)
Panel temperature measurement	Yes (°C)
Flow-meter connection	Yes (4-20 mA)
UVT reader connection	Yes (4-20 mA)
UV dose calculation	Optional (only with external flow meter)
Hour meters	For total system life – Resettable for lamp life control
Free contact alarms (N/O)	Yes (max 1.3 A)
General alarm	Yes (settable contact working)
System working signal	Yes
High temperature alarm	Yes for panel and reactor (shut off for high temperature)
24 V output	Yes
Low irradiance alarm	Yes (settable value)
Lamps off alarm	Yes
Lamps control on/off	Yes
4/20 mA output	Yes for irradiance and temperature
Remote ON/OFF	Yes (settable contact working)
ON/OFF timer	Yes
Datalog – Events	Yes
Lamp power regulation	Manual or Automatic (dose or flow pacing)
Communication ports (protocols)	CAN, Ethernet, USB, Seriale (Modbus, TCP/IP, CANopen)
Remote access	with specific App or WebGate

Industrial U.V. Sterilizers in HDPE

REF.	REACTOR VOLUME (liters)	REACTOR WEIGHT (kg)
HA824	101	80

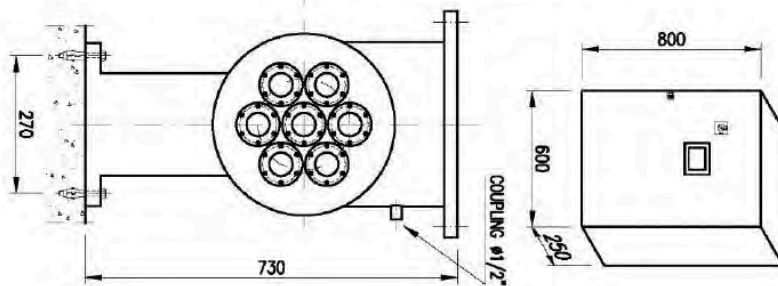
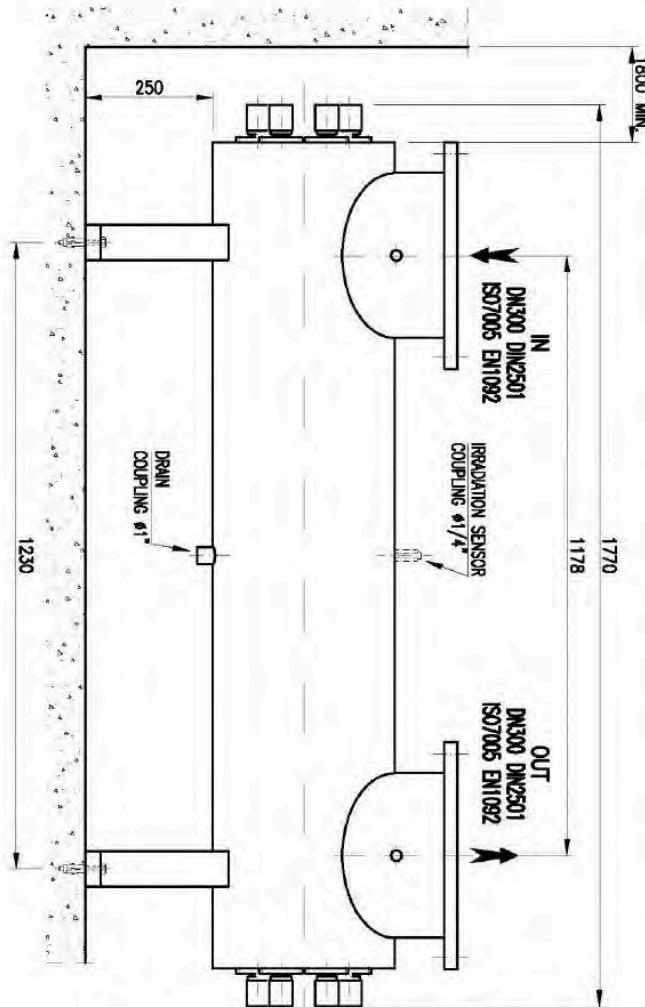
UV SENSOR	
Type	UVC selective sensor Mod. UV737TF
Sensor Cable	Shielded cable 4 meters
Sensor holder material	Teflon

CONTROL PANEL	TC
Material and colour	Painted Steel – RAL 7035
Protection class	IP 54
Lamp cable length	2,5 m
Monitor display	Touch-Screen (65000 colours)
Multi language display	Yes
Chamber temperature measurement	Yes (°C)
UV irradiance measurement	Yes (% or W/m ²)
Panel temperature measurement	Yes (°C)
Flow-meter connection	Yes (4-20 mA)
UVT reader connection	Yes (4-20 mA)
UV dose calculation	Optional (only with external flow meter)
Hour meters	For total system life – Resettable for lamp life control
Free contact alarms (N/O)	Yes (max 1.3 A)
General alarm	Yes (settable contact working)
System working signal	Yes
High temperature alarm	Yes for panel and reactor (shut off for high temperature)
24 V output	Yes
Low irradiance alarm	Yes (settable value)
Lamps off alarm	Yes
Lamps control on/off	Yes
4/20 mA output	Yes for irradiance and temperature
Remote ON/OFF	Yes (settable contact working)
ON/OFF timer	Yes
Datalog – Events	Yes
Lamp power regulation	Manual or Automatic (dose or flow pacing)
Communication ports (protocols)	CAN, Ethernet, USB, Seriale (Modbus, TCP/IP, CANopen)
Remote access	with specific App or WebGate



Industrial U.V. Sterilizers in HDPE

REF.	REACTOR VOLUME (liters)	REACTOR WEIGHT (kg)
HA826	104	100

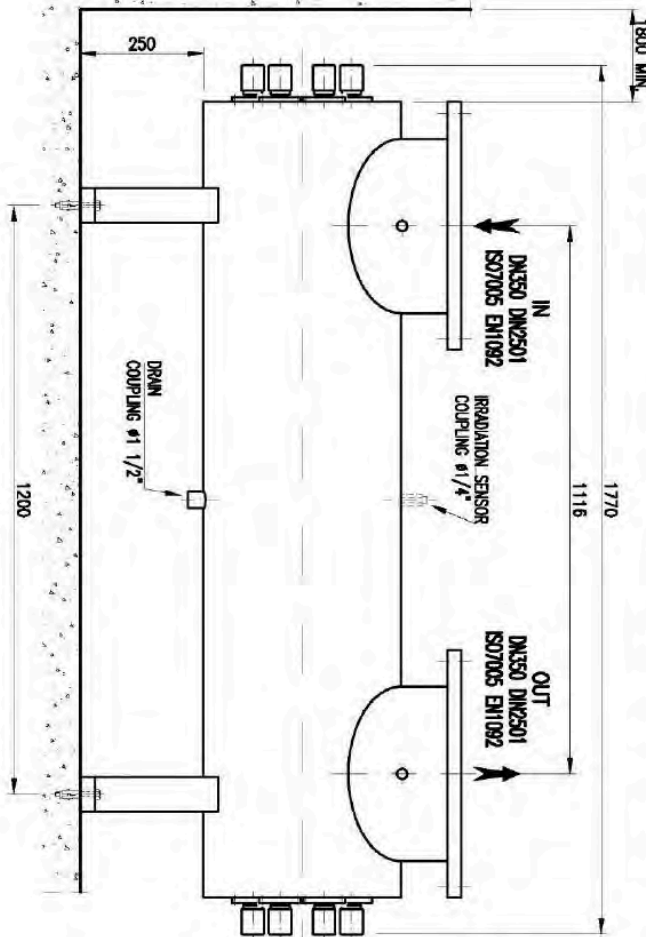


UV SENSOR	
Type	UVC selective sensor Mod. UV737TF
Sensor Cable	Shielded cable 4 meters
Sensor holder material	Teflon

CONTROL PANEL	TC
Material and colour	Painted Steel – RAL 7035
Protection class	IP 54
Lamp cable length	2,5 m
Monitor display	Touch-Screen (65000 colours)
Multi language display	Yes
Chamber temperature measurement	Yes (°C)
UV irradiance measurement	Yes (% or W/m ²)
Panel temperature measurement	Yes (°C)
Flow-meter connection	Yes (4-20 mA)
UVT reader connection	Yes (4-20 mA)
UV dose calculation	Optional (only with external flow meter)
Hour meters	For total system life – Resettable for lamp life control
Free contact alarms (N/O)	Yes (max 1.3 A)
General alarm	Yes (settable contact working)
System working signal	Yes
High temperature alarm	Yes for panel and reactor (shut off for high temperature)
24 V output	Yes
Low irradiance alarm	Yes (settable value)
Lamps off alarm	Yes
Lamps control on/off	Yes
4/20 mA output	Yes for irradiance and temperature
Remote ON/OFF	Yes (settable contact working)
ON/OFF timer	Yes
Datalog – Events	Yes
Lamp power regulation	Manual or Automatic (dose or flow pacing)
Communication ports (protocols)	CAN, Ethernet, USB, Seriale (Modbus, TCP/IP, CANopen)
Remote access	with specific App or WebGate

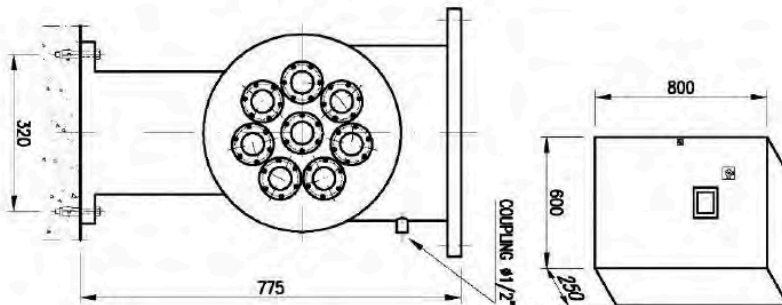
Industrial U.V. Sterilizers in HDPE

REF.	REACTOR VOLUME (liters)	REACTOR WEIGHT (kg)
HA828	130	165



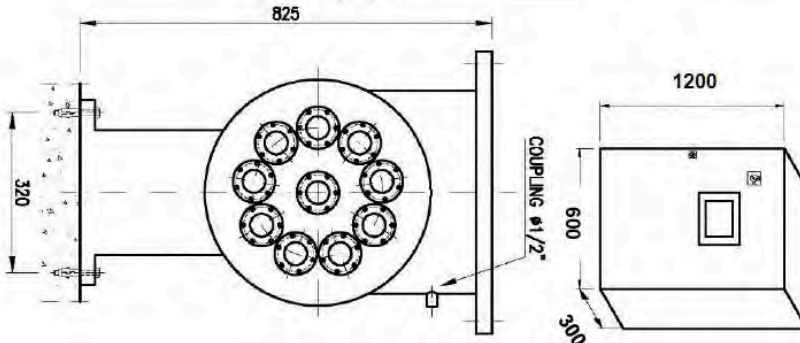
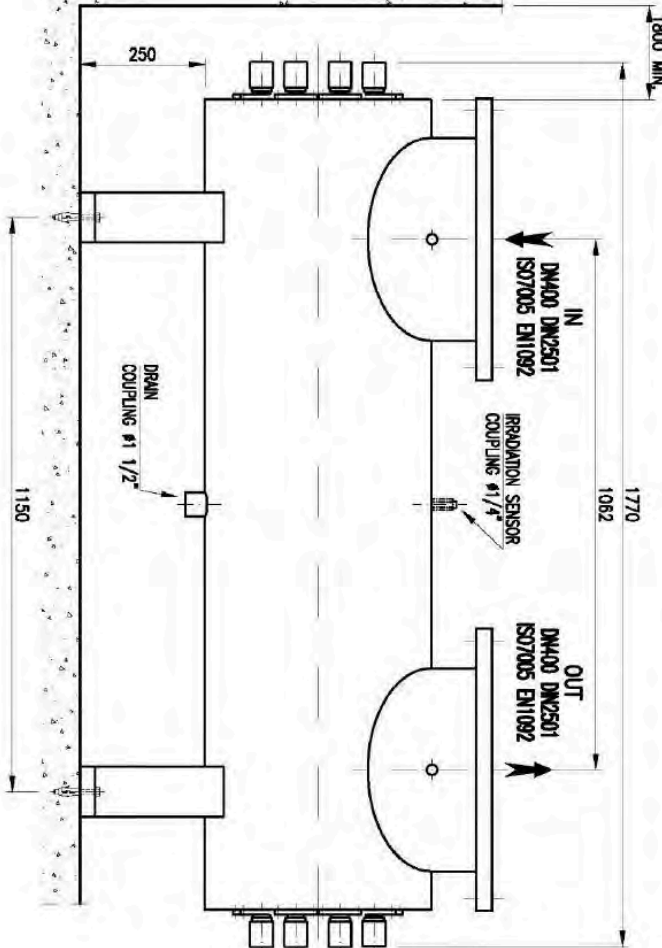
UV SENSOR	
Type	UVC selective sensor Mod. UV737TF
Sensor Cable	Shielded cable 4 meters
Sensor holder material	Teflon

CONTROL PANEL	TC
Material and colour	Painted Steel – RAL 7035
Protection class	IP 54
Lamp cable length	2,5 m
Monitor display	Touch-Screen (65000 colours)
Multi language display	Yes
Chamber temperature measurement	Yes (°C)
UV irradiance measurement	Yes (% or W/m ²)
Panel temperature measurement	Yes (°C)
Flow-meter connection	Yes (4-20 mA)
UVT reader connection	Yes (4-20 mA)
UV dose calculation	Optional (only with external flow meter)
Hour meters	For total system life – Resettable for lamp life control
Free contact alarms (N/O)	Yes (max 1.3 A)
General alarm	Yes (settable contact working)
System working signal	Yes
High temperature alarm	Yes for panel and reactor (shut off for high temperature)
24 V output	Yes
Low irradiance alarm	Yes (settable value)
Lamps off alarm	Yes
Lamps control on/off	Yes
4/20 mA output	Yes for irradiance and temperature
Remote ON/OFF	Yes (settable contact working)
ON/OFF timer	Yes
Datalog – Events	Yes
Lamp power regulation	Manual or Automatic (dose or flow pacing)
Communication ports (protocols)	CAN, Ethernet, USB, Seriale (Modbus, TCP/IP, CANopen)
Remote access	with specific App or WebGate



Industrial U.V. Sterilizers in HDPE

REF.	REACTOR VOLUME (liters)	REACTOR WEIGHT (kg)
HA830	165	180

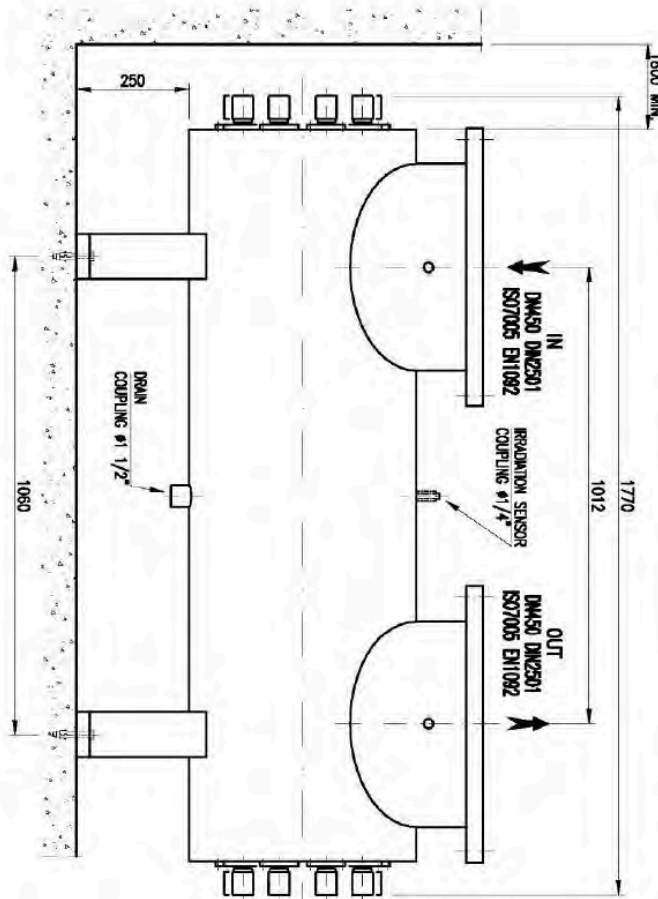


UV SENSOR	
Type	UVC selective sensor Mod. UV737TF
Sensor Cable	Shielded cable 4 meters
Sensor holder material	Teflon

CONTROL PANEL	TC
Material and colour	Painted Steel – RAL 7035
Protection class	IP 54
Lamp cable length	2,5 m
Monitor display	Touch-Screen (65000 colours)
Multi language display	Yes
Chamber temperature measurement	Yes (°C)
UV irradiance measurement	Yes (% or W/m ²)
Panel temperature measurement	Yes (°C)
Flow-meter connection	Yes (4-20 mA)
UVT reader connection	Yes (4-20 mA)
UV dose calculation	Optional (only with external flow meter)
Hour meters	For total system life – Resettable for lamp life control
Free contact alarms (N/O)	Yes (max 1.3 A)
General alarm	Yes (settable contact working)
System working signal	Yes
High temperature alarm	Yes for panel and reactor (shut off for high temperature)
24 V output	Yes
Low irradiance alarm	Yes (settable value)
Lamps off alarm	Yes
Lamps control on/off	Yes
4/20 mA output	Yes for irradiance and temperature
Remote ON/OFF	Yes (settable contact working)
ON/OFF timer	Yes
Datalog – Events	Yes
Lamp power regulation	Manual or Automatic (dose or flow pacing)
Communication ports (protocols)	CAN, Ethernet, USB, Seriale (Modbus, TCP/IP, CANopen)
Remote access	with specific App or WebGate

Industrial U.V. Sterilizers in HDPE

REF.	REACTOR VOLUME (liters)	REACTOR WEIGHT (kg)
HA832	214	220



UV SENSOR	
Type	UVC selective sensor Mod. UV737TF
Sensor Cable	Shielded cable 4 meters
Sensor holder material	Teflon

CONTROL PANEL	TC
Material and colour	Painted Steel – RAL 7035
Protection class	IP 54
Lamp cable length	2,5 m
Monitor display	Touch-Screen (65000 colours)
Multi language display	Yes
Chamber temperature measurement	Yes (°C)
UV irradiance measurement	Yes (% or W/m ²)
Panel temperature measurement	Yes (°C)
Flow-meter connection	Yes (4-20 mA)
UVT reader connection	Yes (4-20 mA)
UV dose calculation	Optional (only with external flow meter)
Hour meters	For total system life – Resettable for lamp life control
Free contact alarms (N/O)	Yes (max 1.3 A)
General alarm	Yes (settable contact working)
System working signal	Yes
High temperature alarm	Yes for panel and reactor (shut off for high temperature)
24 V output	Yes
Low irradiance alarm	Yes (settable value)
Lamps off alarm	Yes
Lamps control on/off	Yes
4/20 mA output	Yes for irradiance and temperature
Remote ON/OFF	Yes (settable contact working)
ON/OFF timer	Yes
Datalog – Events	Yes
Lamp power regulation	Manual or Automatic (dose or flow pacing)
Communication ports (protocols)	CAN, Ethernet, USB, Seriale (Modbus, TCP/IP, CANopen)
Remote access	with specific App or WebGate

Industrial U.V. Sterilizers in AISI 316L 200 W Series

- Made in European Union (Italy);
- To be used for industrial water disinfection systems;
- Single-lamp or multi-lamp systems, with single lamp 200 W;
- With reactor in AISI 316L, with sensor;
- Electric box with electronic circuit, connection cable, operating time meter and switch;
- Operating and failure led;
- Available on request with UL certificate (for USA and Canada);
- WRAS approved products (for UK);
- Conform with EAC certificate for Russia and near-by Countries;
- Conform with Polish Quality Certification for Poland;
- With lamp quartz sheath;
- Max operating pressure 10 bar; Temperature: 5 ÷ 50°C;
- UVC transmittance 98% - 1cm, UVC dose 400 J/m2 ;
- Power supply 230 V - 50/60 Hz and life span of lamp 12.000 hours;
- Reactor protection class IP65;
- Control panel protection class IP54;
- Possibility of connection with shut down solenoid valve;
- Optional cleaning system (manual or automatic);
- Vertical mounting (horizontal for automatic cleaning systems).
- **NOTA:**
- ↑ = From bottom Optional to cleatop.
- ↔ = Both directions.

Ref	Description	Fam.	Subfam.	Disp. Stock	
HA840	UV2 STERILIZER IN AISI 316L 24 M3/H WITH DOSING SENSOR	055	252		
HA840M	UV2 STERILIZER IN AISI 316L 24 M3/H MAN. CLEANING WITH DOSING SENSOR	055	252		
HA840A	UV2 STERILIZER IN AISI 316L 24 M3/H SELF CLEANING WITH DOSING SENSOR	055	252		
HA842	UV2 STERILIZER IN AISI 316L 60 M3/H WITH DOSING SENSOR	055	252		
HA842M	UV2 STERILIZER IN AISI 316L 60 M3/H MAN. CLEANING WITH DOSING SENSOR	055	252		
HA842A	UV2 STERILIZER IN AISI 316L 60 M3/H SELF CLEANING WITH DOSING SENSOR	055	252		
HA844	UV2 STERILIZER IN AISI 316L 96 M3/H WITH DOSING SENSOR	055	252		
HA844A	UV2 STERILIZER IN AISI 316L 96 M3/H SELF CLEANING WITH DOSING SENSOR	055	252		
HA846	UV2 STERILIZER IN AISI 316L 125 M3/H WITH DOSING SENSOR	055	252		
HA848	UV2 STERILIZER IN AISI 316L 160 M3/H WITH DOSING SENSOR	055	252		
HA848A	UV2 STERILIZER IN AISI 316L 160 M3/H SELF CLEANING WITH DOSING SENSOR	055	252		

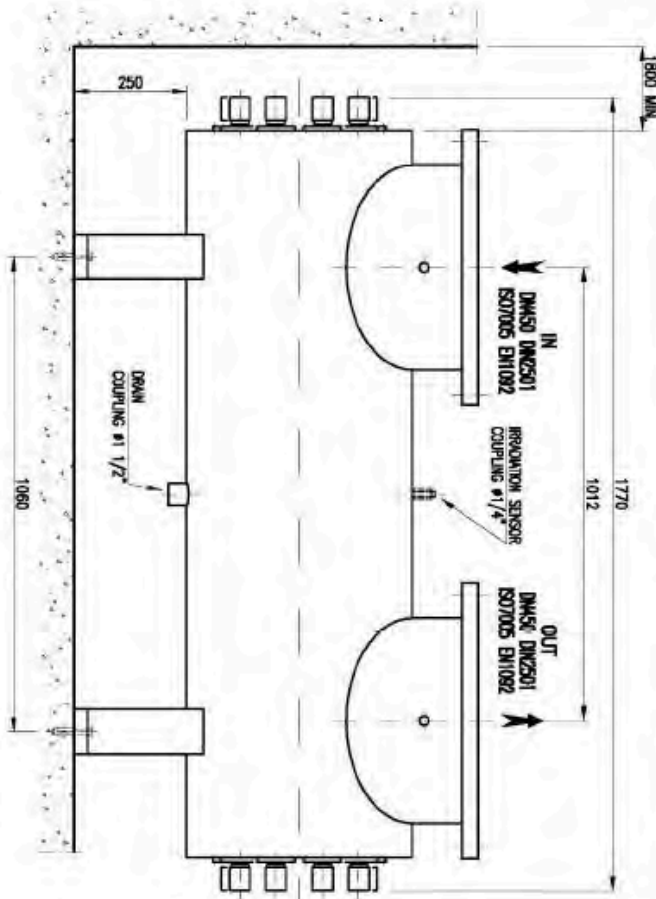
Industrial U.V. Sterilizers in AISI 316L 200 W Series

Ref	Max flow rate (m/h)	Total consumption (W)	N° Lamps	Lamps power	In-Out connections	Flow direction
HA840	24	222	1	200	2" M	↑
HA840M	24	222	1	200	2" M	↑
HA840A	24	222	1	200	2" M	↔
HA842	60	444	2	200	DN80	↑
HA842M	60	444	2	200	DN80	↑
HA842A	60	444	2	200	DN80	↔
HA844	96	666	3	200	DN100	↑
HA844A	96	666	3	200	DN100	↔
HA846	125	888	4	200	DN150	↑
HA848	160	888	4	200	DN150	↑
HA848A	160	888	4	200	DN150	↔

Certificates	Manufacturer	Sectors
DM174-2004 WRAS CE, EAC	MWG	Industrial

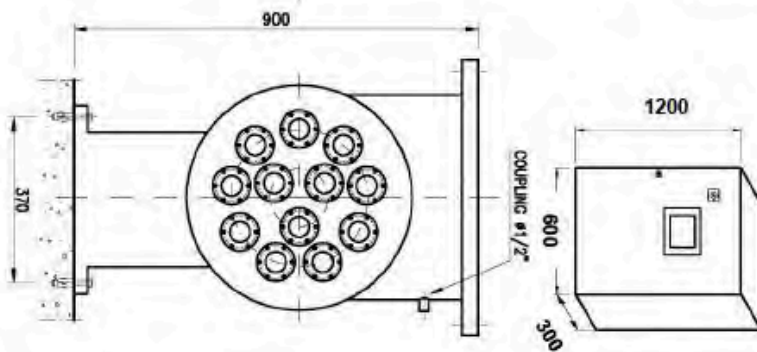
Industrial U.V. Sterilizers in AISI 316L 200 W Series

REF.	REACTOR VOLUME (liters)	REACTOR WEIGHT (kg)
HA832	214	220



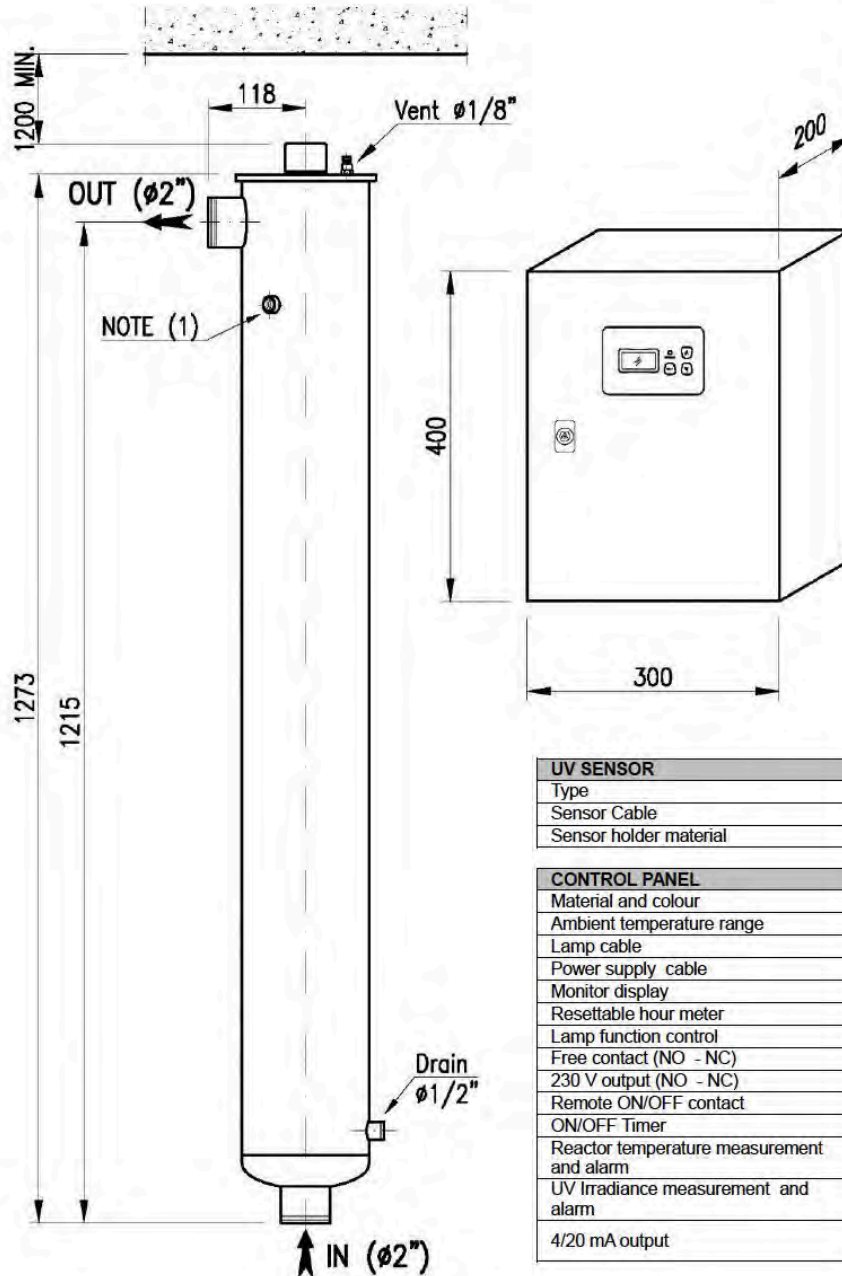
UV SENSOR	
Type	UVC selective sensor Mod. UV737TF
Sensor Cable	Shielded cable 4 meters
Sensor holder material	Teflon

CONTROL PANEL	TC
Material and colour	Painted Steel – RAL 7035
Protection class	IP 54
Lamp cable length	2,5 m
Monitor display	Touch-Screen (65000 colours)
Multi language display	Yes
Chamber temperature measurement	Yes (°C)
UV irradiance measurement	Yes (% or W/m ²)
Panel temperature measurement	Yes (°C)
Flow-meter connection	Yes (4-20 mA)
UVT reader connection	Yes (4-20 mA)
UV dose calculation	Optional (only with external flow meter)
Hour meters	For total system life – Resettable for lamp life control
Free contact alarms (N/O)	Yes (max 1.3 A)
General alarm	Yes (settable contact working)
System working signal	Yes
High temperature alarm	Yes for panel and reactor (shut off for high temperature)
24 V output	Yes
Low irradiance alarm	Yes (settable value)
Lamps off alarm	Yes
Lamps control on/off	Yes
4/20 mA output	Yes for irradiance and temperature
Remote ON/OFF	Yes (settable contact working)
ON/OFF timer	Yes
Datalog – Events	Yes
Lamp power regulation	Manual or Automatic (dose or flow pacing)
Communication ports (protocols)	CAN, Ethernet, USB, Seriale (Modbus, TCP/IP, CANopen)
Remote access	with specific App or WebGate



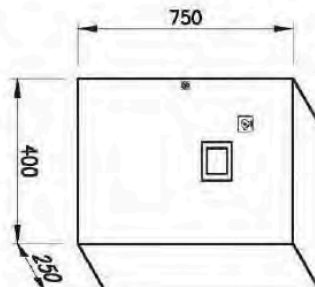
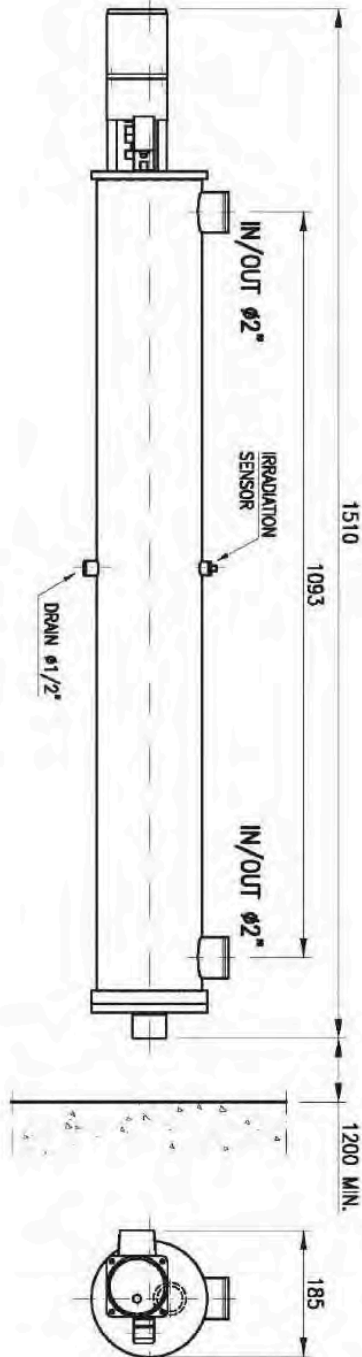
Industrial U.V. Sterilizers in AISI 316L 200 W Series

REF.	REACTOR VOLUME (liters)	REACTOR WEIGHT (kg)	IN-OUT
HA840	21,5	13	2" M
HA840M	21,5	13	2" M



Industrial U.V. Sterilizers in AISI 316L 200 W Series

REF.	REACTOR VOLUME (liters)	REACTOR WEIGHT (kg)	IN-OUT
HA840A	21,5	13	2" M

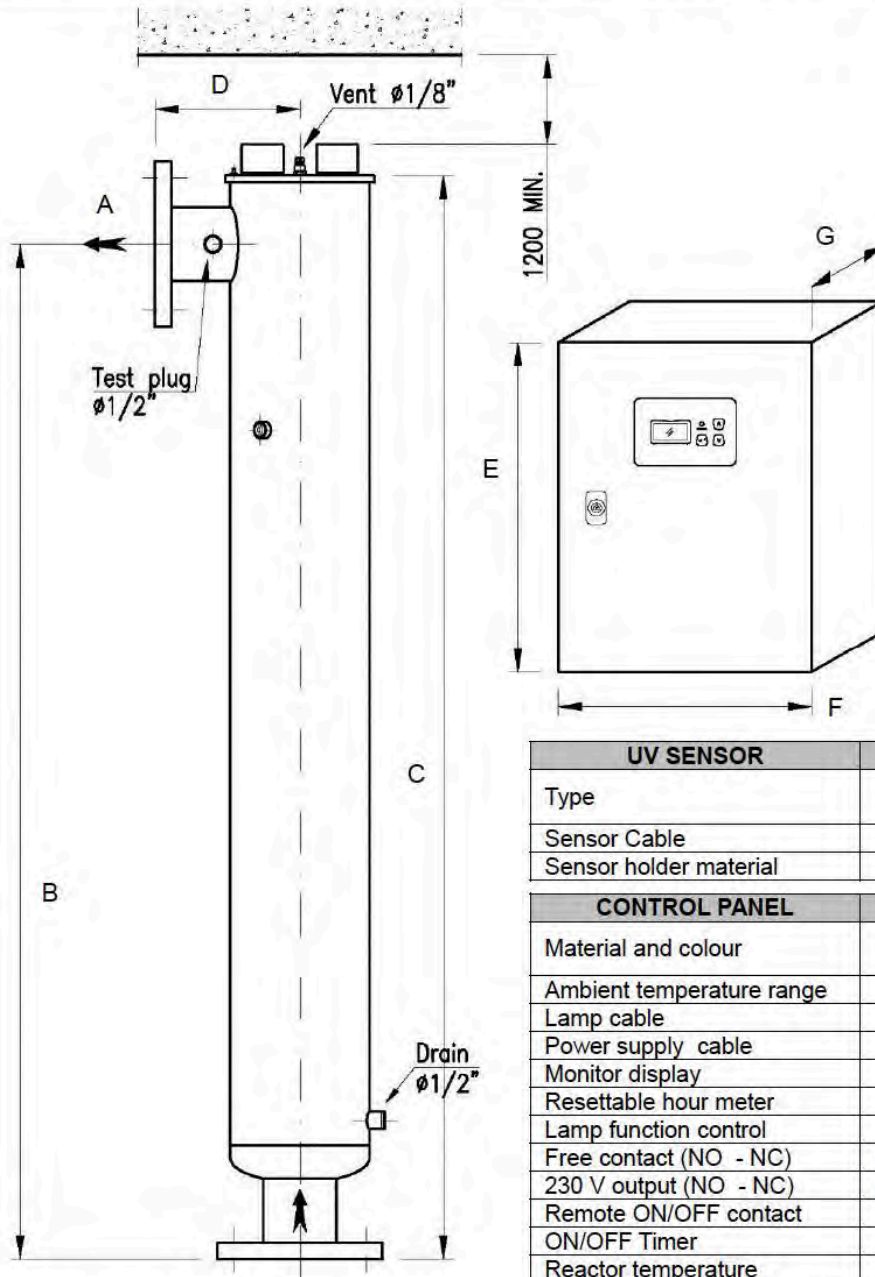


UV SENSOR	
Type	UVC selective sensor Mod. UV737
Sensor Cable	Shielded cable 4 meters
Sensor holder material	Stainless steel 316L

CONTROL PANEL	TC
Material and colour	Black Painted Steel – RAL 7035
Ambient temperature range	5 – 45 °C
Lamp cable	4 m
Monitor display	TOUCH SCREEN (65.000 colors)
Multilanguage display	IT-EN-FR-ES
Resettable hour meter	Yes for lamp life control
Lamp function control	Yes
Free contact (NO - NC)	Yes – general alarm (max 1,3 A)
Remote ON/OFF contact	Yes (settable)
ON/OFF Timer	Yes
Reactor temperature measurement and alarm	Yes (°C) (shut off for high temperature)
UV Irradiance measurement and alarm	Yes (% or W/m ²)
4/20 mA output	Yes for irradiance and water temperature

Industrial U.V. Sterilizers in AISI 316L 200 W Series

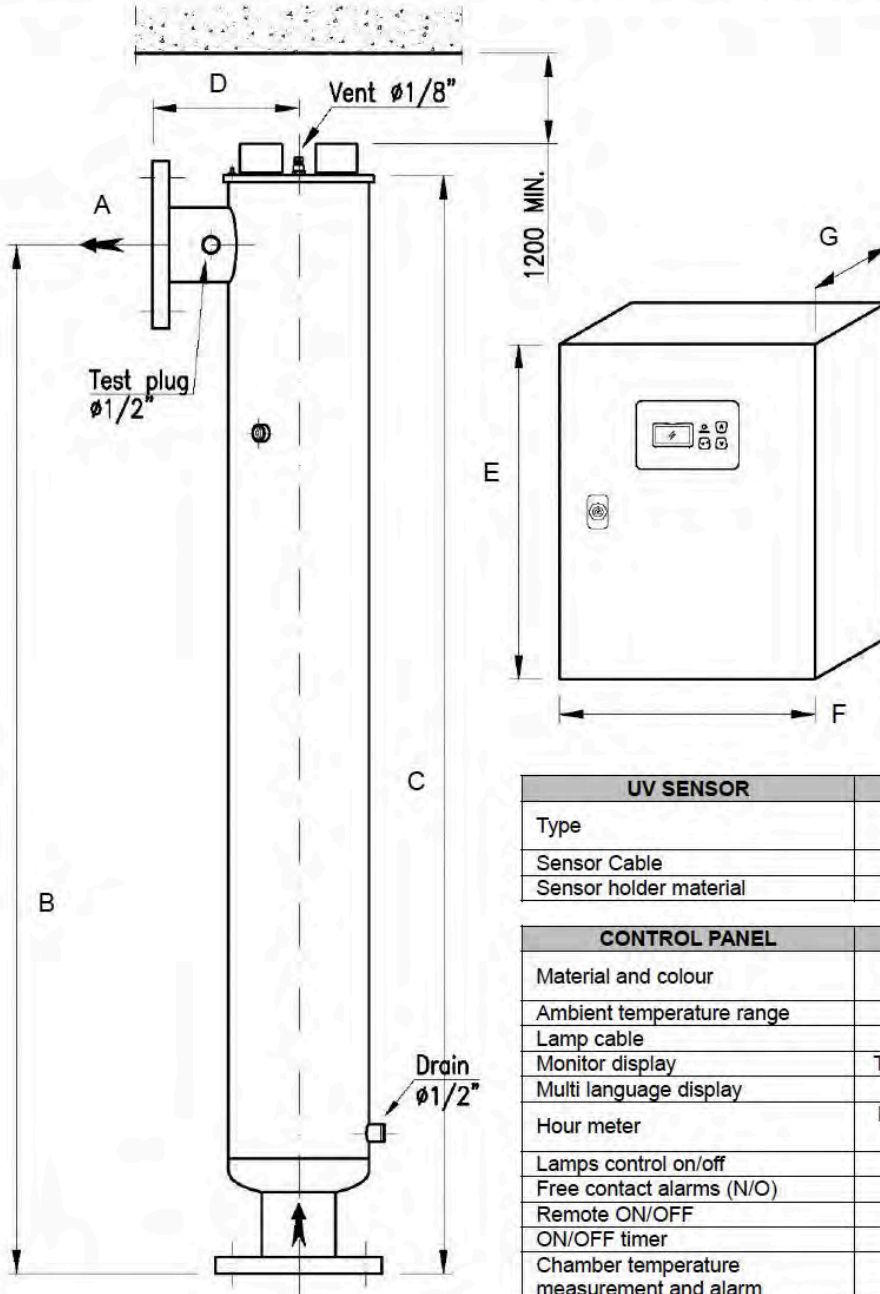
REF.	REACTOR VOLUME (liters)	REACTOR WEIGHT (kg)	A IN-OUT	B (mm)	C (mm)	D (mm)	E (mm)	F (mm)	G (mm)
HA842	39	25	DN80	1230	1313	175	400	300	200
HA842M	39	25	DN80	1230	1313	175	400	300	200



UV SENSOR	
Type	UVC selective sensor Mod. UV737
Sensor Cable	Shielded cable 4 meters
Sensor holder material	Stainless steel 316L
CONTROL PANEL	
Material and colour	Black Painted Steel (RAL 7035)
Ambient temperature range	5 – 45 °C
Lamp cable	2,5 m
Power supply cable	1 m
Monitor display	LCD
Resettable hour meter	Yes for lamp life control
Lamp function control	Yes
Free contact (NO - NC)	Yes – general alarm (max 2 A)
230 V output (NO - NC)	Yes – general alarm (max 2 A)
Remote ON/OFF contact	Yes (settable)
ON/OFF Timer	Yes (settable)
Reactor temperature measurement and alarm	Yes (°C) – settable value (shut off for high temperature)
UV Irradiance measurement and alarm	Yes (% or W/m ² optional) – settable value
4/20 mA output	Optional – for irradiance and water temperature

Industrial U.V. Sterilizers in AISI 316L 200 W Series

REF.	REACTOR VOLUME (liters)	REACTOR WEIGHT (kg)	A IN-OUT	B (mm)	C (mm)	D (mm)	E (mm)	F (mm)	G (mm)
HA844	50	31	DN100	1200	1321	210	500	400	250
HA846	47	37	DN150	1175	1321	210	750	400	250
HA848	70	48	DN150	1200	1346	235	750	400	250



UV SENSOR	
Type	UVC selective sensor Mod. UV737
Sensor Cable	Shielded cable 4 meters
Sensor holder material	Stainless steel 316L

CONTROL PANEL	TC
Material and colour	Black Painted Steel (RAL 7035)
Ambient temperature range	5 – 45 °C
Lamp cable	4 m
Monitor display	TOUCH SCREEN (65.000 colors)
Multi language display	IT-EN-FR-ES
Hour meter	For total system life – Resettable for lamp life control
Lamps control on/off	Yes
Free contact alarms (N/O)	Yes (max 1.3 A)
Remote ON/OFF	Yes (settable contact working)
ON/OFF timer	Yes
Chamber temperature measurement and alarm	Yes (°C) (shut off for high temperature)
UV irradiance measurement and alarm	Yes (% or W/m ²)
4/20 mA output	Yes for irradiance and temperature

Industrial Flanged Multilamp U.V. Sterilizers in AISI 316L 400 W Series

- Made in European Union (Italy);
- To be used for industrial water disinfection systems;
- Multi-lamp systems with single lamp 400 W;
- With reactor in AISI 316L, with sensor;
- Electric box with electronic circuit, connection cable, operating time meter and switch;
- Operating and failure led;
- Available on request with UL certificate (for USA and Canada);
- WRAS approved products (for UK);
- Conform with EAC certificate for Russia and near-by Countries;
- Conform with Polish Quality Certification for Poland;
- Conform with a Norwegian certification of National Veterinary Institute, which gives the leading rules applied world wide in the sector of the fish farm;
- With lamp quartz sheath;
- Max operating pressure 10 bar;
- Temperature: 5 ÷ 50°C;
- UVC transmittance 97% - 1cm, UVC dose 400 J/m² ;
- Power supply 230 V - 50/60 Hz and life span of lamp 16.000 hours;
- Reactor protection class IP65;
- Control panel protection class IP54;
- Possibility of connection with shut down solenoid valve;
- Alarm system;
- Horizontal mounting and flow both directions;
- Automatic cleaning systems.

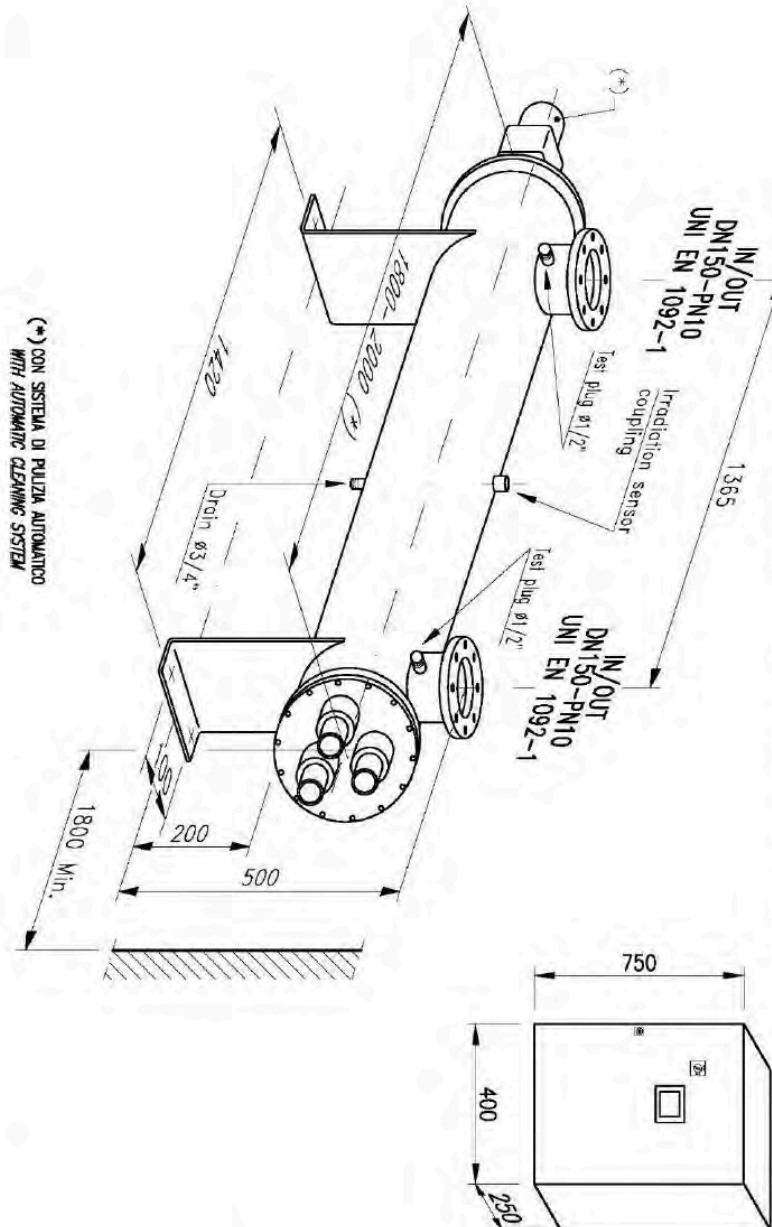
Ref	Description	Fam.	Subfam.	Disp. Stock	
HA860A	UV4 STERILIZER IN AISI 316L 150 M3/H SELF CLEANING WITH DOSING SENSOR	055	252		
HA862A	UV4 STERILIZER IN AISI 316L 250 M3/H SELF CLEANING WITH DOSING SENSOR	055	252		
HA864A	UV4 STERILIZER IN AISI 316L 300 M3/H SELF CLEANING WITH DOSING SENSOR	055	252		
HA866A	UV4 STERILIZER IN AISI 316L 420 M3/H SELF CLEANING WITH DOSING SENSOR	055	252		
HA868A	UV4 STERILIZER IN AISI 316L 600 M3/H SELF CLEANING WITH DOSING SENSOR	055	252		
HA870A	UV4 STERILIZER IN AISI 316L 830 M3/H SELF CLEANING WITH DOSING SENSOR	055	252		
HA872A	UV4 STERILIZER IN AISI 316L 980 M3/H SELF CLEANING WITH DOSING SENSOR	055	252		

Ref	Max flow rate (m/h)	Total consumption (W)	N* Lamps	Lamp power	In-Out Connections
HA860A	150	1.300	3	400	DN150
HA862A	250	1.760	4	400	DN200
HA864A	300	2.180	5	400	DN200
HA866A	420	2.650	6	400	DN250
HA868A	600	3.500	8	400	DN250
HA870A	830	4.400	10	400	DN300
HA872A	980	5.300	10	400	DN300

Certificates	Manufacturer	Sectors
DM174-2004 WRAS CE, EAC	MWG	Industrial

Industrial Flanged Multilamp U.V. Sterilizers in AISI 316L 400 W Series

REF.	REACTOR VOLUME (liters)	REACTOR WEIGHT (kg)	IN-OUT
HA860A	56	50	DN150

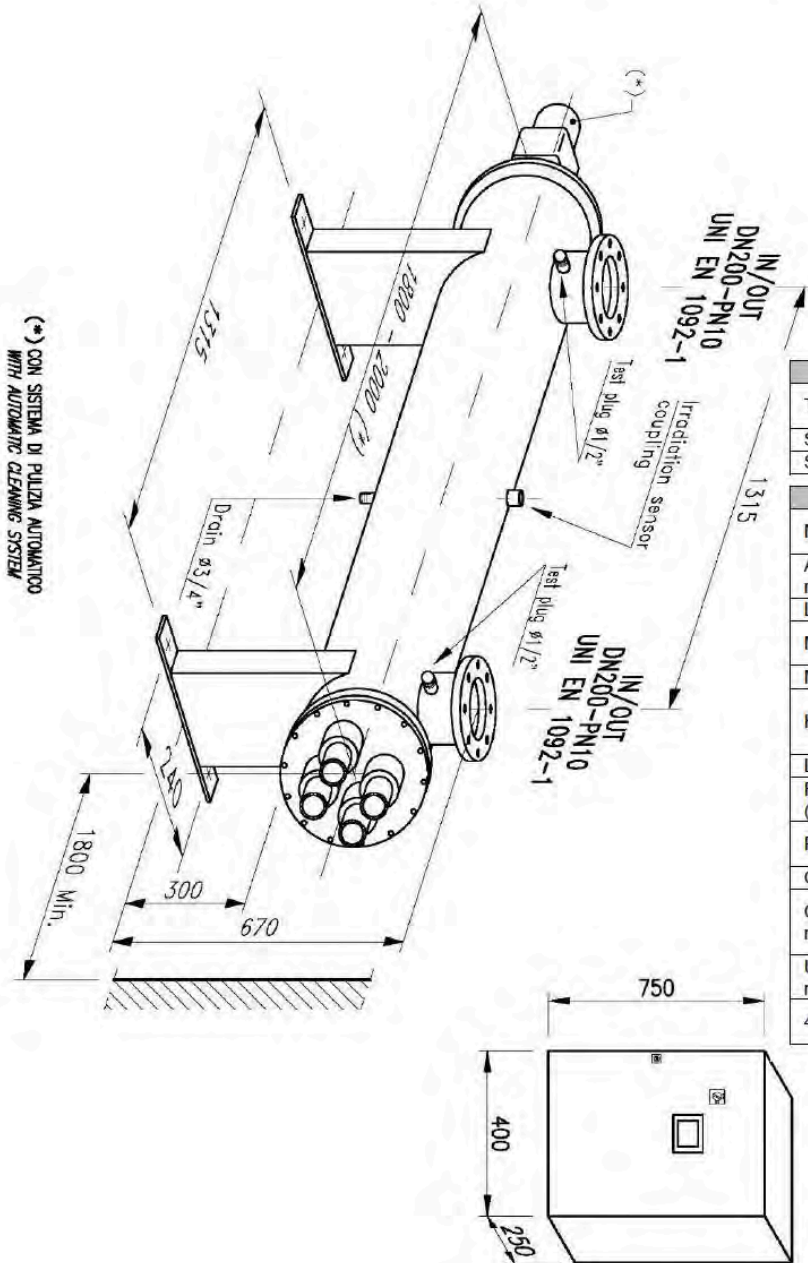


UV SENSOR	
Type	UVC selective sensor Mod. UV737
Sensor Cable	Shielded cable 4 meters
Sensor holder material	Stainless steel 316L

CONTROL PANEL	
Material and colour	Black Painted Steel (RAL 7035)
Ambient temperature range	5 – 45 °C
Lamp cable	4 m
Monitor display	TOUCH SCREEN (65.000 colors)
Multi language display	IT-EN-FR-ES
Hour meter	For total system life – Resettable for lamp life control
Lamps control on/off	Yes
Free contact alarms (N/O)	Yes (max 1,3 A)
Remote ON/OFF	Yes (settable contact working)
ON/OFF timer	Yes
Chamber temperature measurement and alarm	Yes (°C) (shut off for high temperature)
UV irradiance measurement and alarm	Yes (% or W/m ²)
4/20 mA output	Yes for irradiance and temperature

Industrial Flanged Multilamp U.V. Sterilizers in AISI 316L 400 W Series

REF.	REACTOR VOLUME (liters)	REACTOR WEIGHT (kg)	IN-OUT
HA862A	82	80	DN200

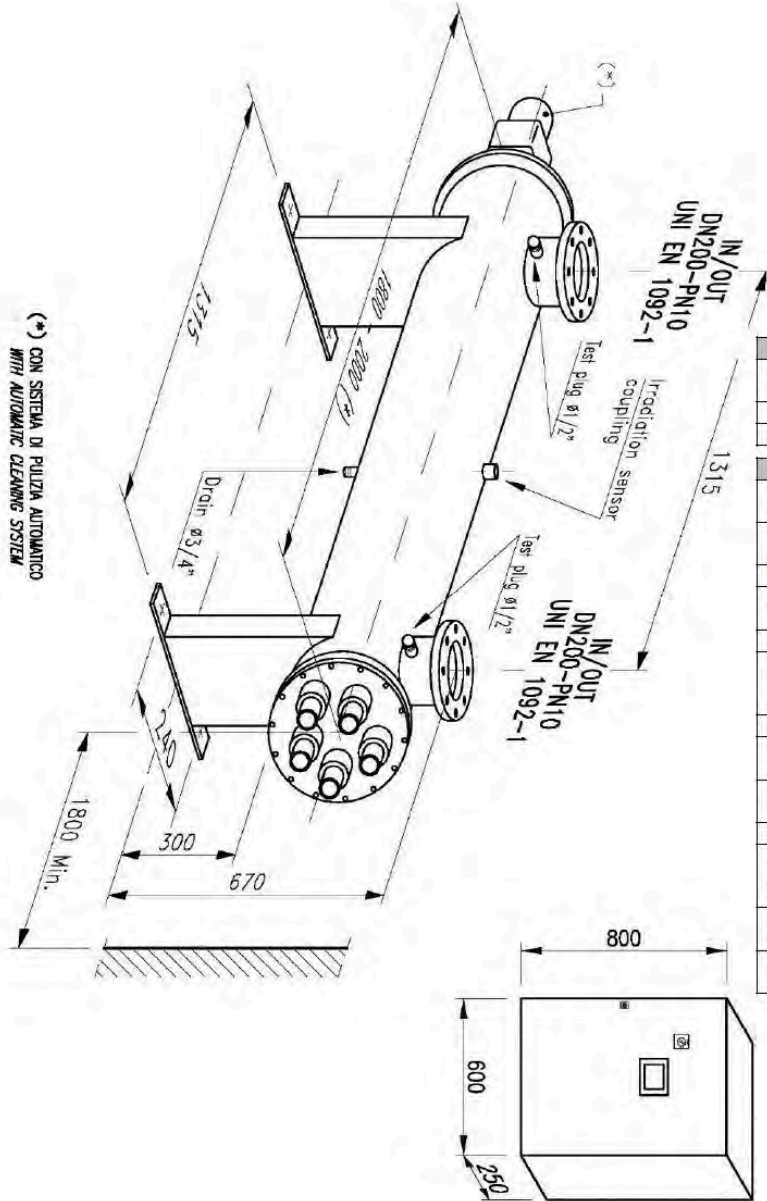


UV SENSOR	
Type	UVC selective sensor Mod. UV737
Sensor Cable	Shielded cable 4 meters
Sensor holder material	Stainless steel 316L

CONTROL PANEL	TC
Material and colour	Black Painted Steel (RAL 7035)
Ambient temperature range	5 – 45 °C
Lamp cable	4 m
Monitor display	TOUCH SCREEN (65.000 colors)
Multi language display	IT-EN-FR-ES
Hour meter	For total system life – Resettable for lamp life control
Lamps control on/off	Yes
Free contact alarms (N/O)	Yes (max 1.3 A)
Remote ON/OFF	Yes (settable contact working)
ON/OFF timer	Yes
Chamber temperature measurement and alarm	Yes (°C) (shut off for high temperature)
UV irradiance measurement and alarm	Yes (% or W/m ²)
4/20 mA output	Yes for irradiance and temperature

Industrial Flanged Multilamp U.V. Sterilizers in AISI 316L 400 W Series

REF.	REACTOR VOLUME (liters)	REACTOR WEIGHT (kg)	IN-OUT
HA864A	87	100	DN200

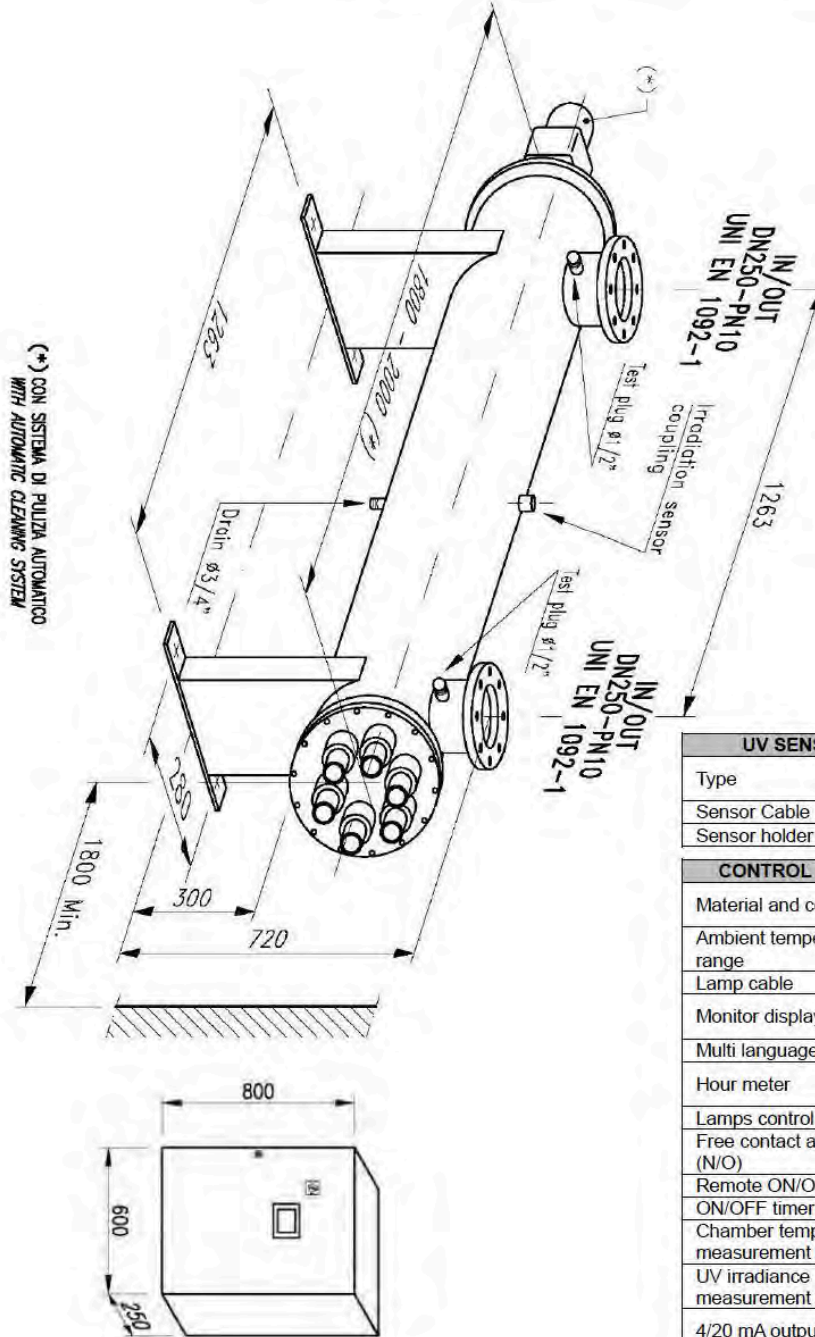


UV SENSOR	
Type	UVC selective sensor Mod. UV737
Sensor Cable	Shielded cable 4 meters
Sensor holder material	Stainless steel 316L

CONTROL PANEL	TC
Material and colour	Black Painted Steel (RAL 7035)
Ambient temperature range	5 - 45 °C
Lamp cable	4 m
Monitor display	TOUCH SCREEN (65.000 colors)
Multi language display	IT-EN-FR-ES
Hour meter	For total system life - Resettable for lamp life control
Lamps control on/off	Yes
Free contact alarms (N/O)	Yes (max 1.3 A)
Remote ON/OFF	Yes (settable contact working)
ON/OFF timer	Yes
Chamber temperature measurement and alarm	Yes (°C) (shut off for high temperature)
UV irradiance measurement and alarm	Yes (% or W/m ²)
4/20 mA output	Yes for irradiance and temperature

Industrial Flanged Multilamp U.V. Sterilizers in AISI 316L 400 W Series

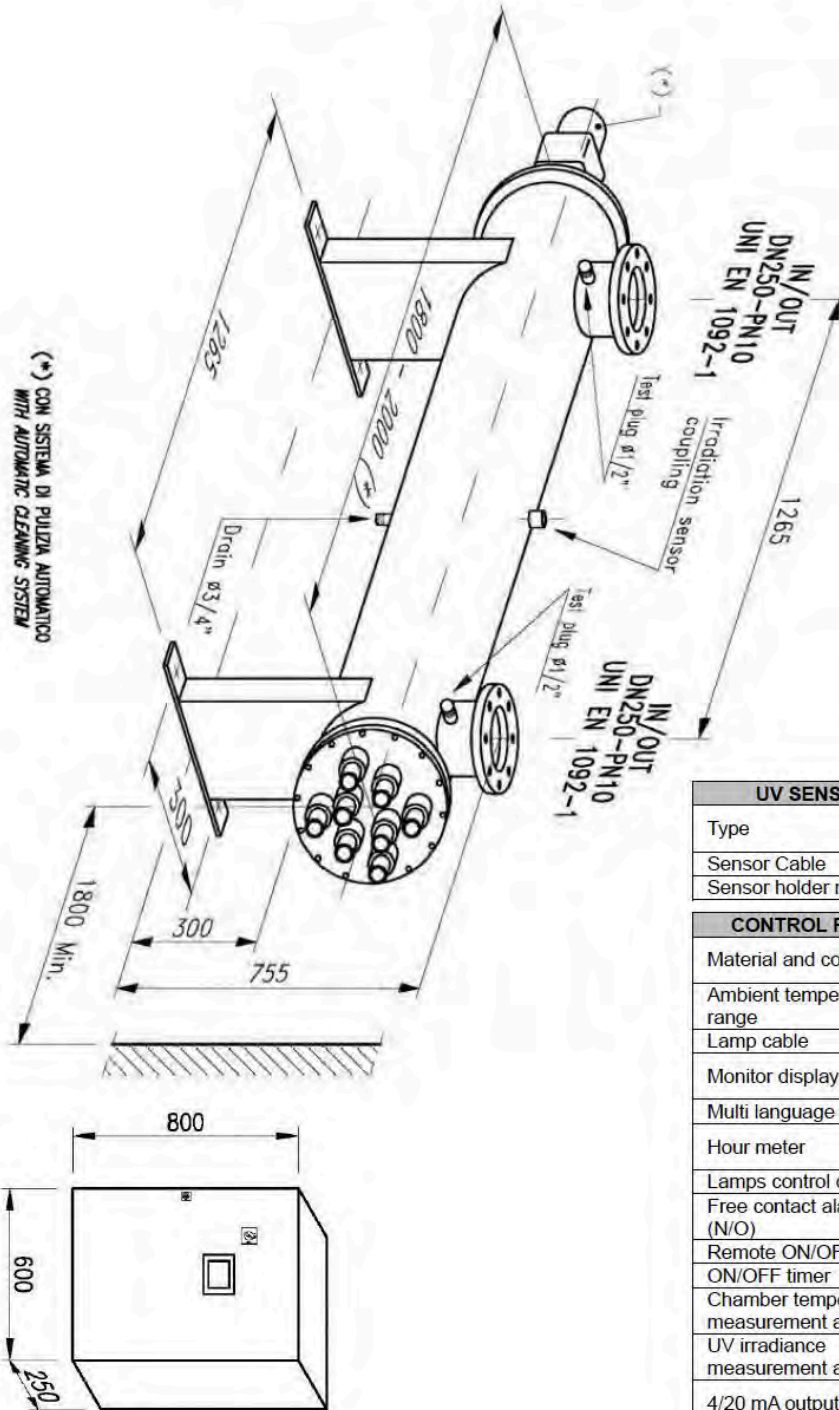
REF.	REACTOR VOLUME (liters)	REACTOR WEIGHT (kg)	IN-OUT
HA866A	126	110	DN250



UV SENSOR	
Type	UVC selective sensor Mod. UV737
Sensor Cable	Shielded cable 4 meters
Sensor holder material	Stainless steel 316L
CONTROL PANEL	
Material and colour	Black Painted Steel (RAL 7035)
Ambient temperature range	5 – 45 °C
Lamp cable	4 m
Monitor display	TOUCH SCREEN (65.000 colors)
Multi language display	IT-EN-FR-ES
Hour meter	For total system life – Resetable for lamp life control
Lamps control on/off	Yes
Free contact alarms (N/O)	Yes (max 1.3 A)
Remote ON/OFF	Yes (settable contact working)
ON/OFF timer	Yes
Chamber temperature measurement and alarm	Yes (°C) (shut off for high temperature)
UV irradiance measurement and alarm	Yes (% or W/m ²)
4/20 mA output	Yes for irradiance and temperature

Industrial Flanged Multilamp U.V. Sterilizers in AISI 316L 400 W Series

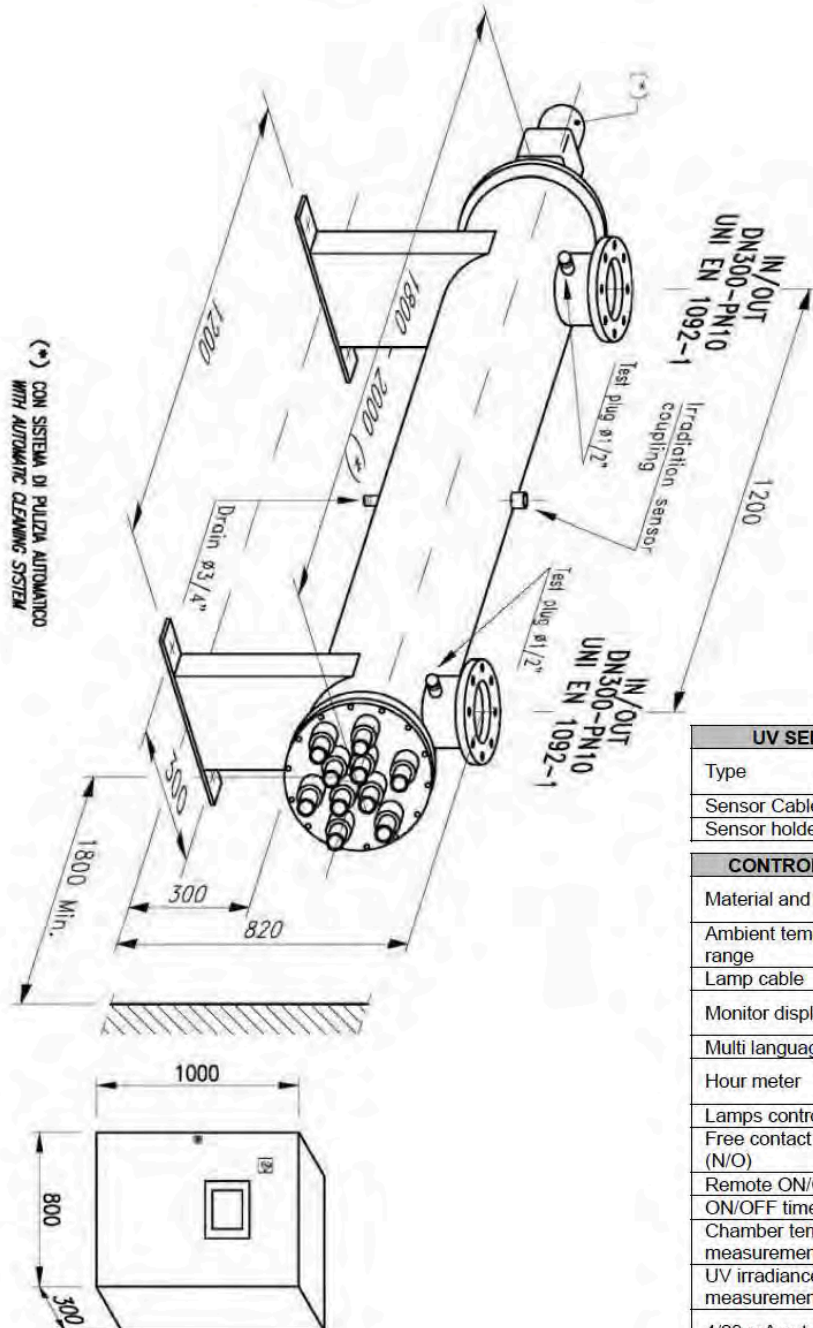
REF.	REACTOR VOLUME (liters)	REACTOR WEIGHT (kg)	IN-OUT
HA868A	150	125	DN250



UV SENSOR	
Type	UVC selective sensor Mod. UV737
Sensor Cable	Shielded cable 4 meters
Sensor holder material	Stainless steel 316L
CONTROL PANEL	
TC	
Material and colour	Black Painted Steel (RAL 7035)
Ambient temperature range	5 – 45 °C
Lamp cable	4 m
Monitor display	TOUCH SCREEN (65.000 colors)
Multi language display	IT-EN-FR-ES
Hour meter	For total system life – Resettable for lamp life control
Lamps control on/off	Yes
Free contact alarms (N/O)	Yes (max 1.3 A)
Remote ON/OFF	Yes (settable contact working)
ON/OFF timer	Yes
Chamber temperature measurement and alarm	Yes (°C) (shut off for high temperature)
UV irradiance measurement and alarm	Yes (% or W/m ²)
4/20 mA output	Yes for irradiance and temperature

Industrial Flanged Multilamp U.V. Sterilizers in AISI 316L 400 W Series

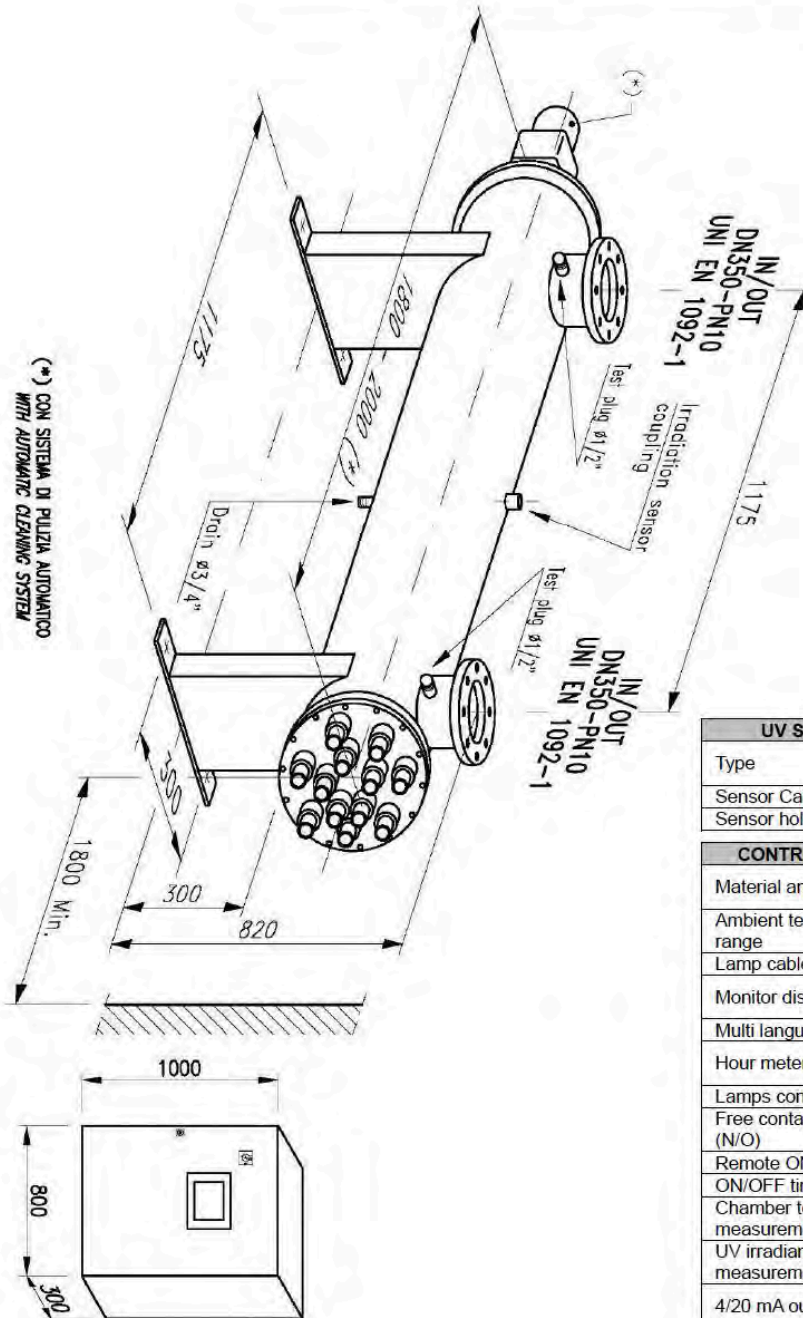
REF.	REACTOR VOLUME (liters)	REACTOR WEIGHT (kg)	IN-OUT
HA870A	197	175	DN300



UV SENSOR	
Type	UVC selective sensor Mod. UV737
Sensor Cable	Shielded cable 4 meters
Sensor holder material	Stainless steel 316L
CONTROL PANEL	
Material and colour	Black Painted Steel (RAL 7035)
Ambient temperature range	5 - 45 °C
Lamp cable	4 m
Monitor display	TOUCH SCREEN (65.000 colors)
Multi language display	IT-EN-FR-ES
Hour meter	For total system life - Resettable for lamp life control
Lamps control on/off	Yes
Free contact alarms (N/O)	Yes (max 1.3 A)
Remote ON/OFF	Yes (settable contact working)
ON/OFF timer	Yes
Chamber temperature measurement and alarm	Yes (°C) (shut off for high temperature)
UV irradiance measurement and alarm	Yes (% or W/m ²)
4/20 mA output	Yes for irradiance and temperature

Industrial Flanged Multilamp U.V. Sterilizers in AISI 316L 400 W Series

REF.	REACTOR VOLUME (liters)	REACTOR WEIGHT (kg)	IN-OUT
HA872A	197	200	DN350



UV SENSOR	
Type	UVC selective sensor Mod. UV737
Sensor Cable	Shielded cable 4 meters
Sensor holder material	Stainless steel 316L

CONTROL PANEL	TC
Material and colour	Black Painted Steel (RAL 7035)
Ambient temperature range	5 - 45 °C
Lamp cable	4 m
Monitor display	TOUCH SCREEN (65.000 colors)
Multi language display	IT-EN-FR-ES
Hour meter	For total system life - Resettable for lamp life control
Lamps control on/off	Yes
Free contact alarms (N/O)	Yes (max 1.3 A)
Remote ON/OFF	Yes (settable contact working)
ON/OFF timer	Yes
Chamber temperature measurement and alarm	Yes (°C) (shut off for high temperature)
UV irradiance measurement and alarm	Yes (% or W/m ²)
4/20 mA output	Yes for irradiance and temperature