



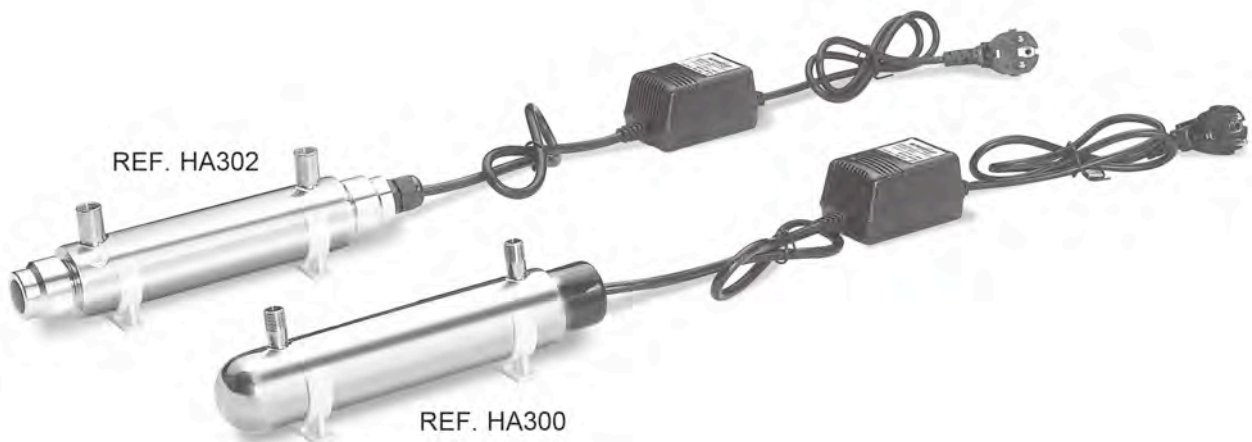
## UV sterilizers and spare parts



## Residential U.V. Sterilizers Inox



- monolamp U.V. sterilizer of close construction in AISI 304 polished material for point-of-use treatment devices;
- conform with CE safety Directives;
- D.M. n.174 dated 06/04/2004 compliant about materials suitable for contact with water for human consumption;
- complete with n.2 diameter 2" fixing clips and with n.2 JACO 1/4" elbows;
- power box with electronic circuit, cable and plug;
- failure led and alarm system;
- lamp quartz sheath;
- max operating pressure 7 bar;
- temperature 2 ÷ 40°C;
- power supply 230 V – 50 Hz;
- irradiation > 30 mJ/cm<sup>2</sup>;
- lamp life 8.000 hours;
- protection class IP42;
- for relative spare parts see 07-02-01-EN data sheet.



REF.	MODEL	MAX FLOW (l/h)	LAMPS NUMBER	POWER (W)	CONNECTIONS	DIAMETER (mm)	LENGTH (mm)	
HA300	HR-60	240	1	10	1/4" BSP M	50,8	260	
HA302	PC-1	240	1	10	1/4" BSP M	50,8	268	

## Residential U.V. Sterilizers W Series



- to be used for residential water disinfection systems;
- monolamp U.V. sterilizer of close construction in AISI 304 polished material;
- power box with electronic circuit, cable and plug;
- failure led and alarm system;
- conform with CE safety Directives;
- D.M. n.174 dated 06/04/2004 compliant about materials suitable for contact with water for human consumption;
- lamp quartz sheath;
- max operating pressure 7 bar;
- temperature  $2 \div 40^{\circ}\text{C}$ ;
- power supply 230 V – 50 Hz;
- irradiation  $> 30 \text{ mJ/cm}^2$ ;
- lamp life 10.000 hours;
- protection class IP42;
- for relative spare parts see 07-02-01-EN data sheet.

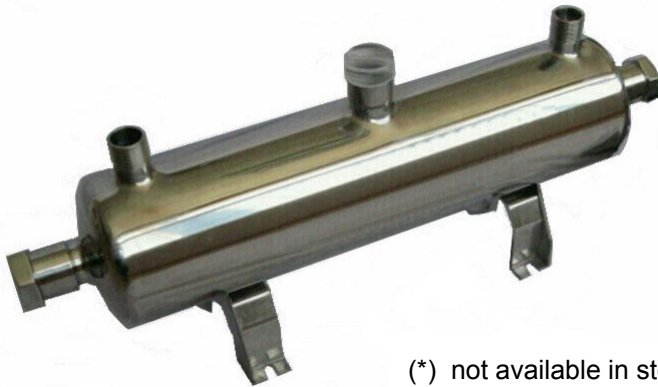


REF.	MODEL	MAX FLOW (l/h)	LAMPS NUMBER	POWER (W)	CONNECTIONS	DIAMETER (mm)	LENGTH (mm)	
HA310	W-180	680	1	15	½" BSP M	63,5	364	
HA315	W-360	1360	1	21	½" BSP M	63,5	544	
HA320	W-480	1810	1	29	½" BSP M	63,5	694	
HA325	W-720	2720	1	40	¾" BSP M	63,5	924	

# Industrial U.V. Sterilizers FC Series



- to be used for commercial and industrial water disinfection systems;
- monolamp U.V. sterilizer with polished AISI 304 sterilizing chamber (option in AISI 316L not available in stock) with inspection window and drain connection;
- electric box with electronic circuit, connection cable, operating time meter and switch;
- operating and failure led, with alarm system (excepted models FC-35 and FC-45);
- conform with CE safety Directives;
- D.M. n.174 dated 06/04/2004 compliant about materials suitable for contact with water for human consumption;
- lamp quartz sheath;
- max operating pressure 7 bar, temperature  $2 \div 40^{\circ}\text{C}$ ;
- power supply 230 V – 50 Hz, irradiation  $> 40 \text{ mJ/cm}^2$ , lamp life 10.000 hours;
- protection class IP43;
- possibility of connection with shut down solenoid valve (only for models FC-35 and FC-45);
- for relative spare parts see 07-02-01-EN data sheet.



(\* ) not available in stock.

REF.	MOD.	AISI	MAX FLOW (l/h)	POWER (W)	CONNECTIONS	DIAMETER (mm)	LENGHT (mm)	
HA350	FC-8	304	1.810	29	¾" BSP M	114	710	
HA350A (*)	FC-8	316L	1.810	29	¾" BSP M	114	710	
HA355	FC-12	304	2.720	40	1" BSP M	133	940	
HA355A (*)	FC-12	316L	2.720	40	1" BSP M	133	940	
HA360	FC-15	304	3.400	65	1" BSP M	133	940	
HA360A (*)	FC-15	316L	3.400	65	1" BSP M	133	940	
HA365	FC-20	304	4.536	65	1 ½" BSP M	160	940	
HA365A (*)	FC-20	316L	4.536	65	1 ½" BSP M	160	940	
HA370	FC-24	304	5.443	85	1 ½" BSP M	160	940	
HA370A (*)	FC-24	316L	5.443	85	1 ½" BSP M	160	940	
HA375	FC-35	304	7.938	100	2" BSP M	160	1.235	
HA375A (*)	FC-35	316L	7.938	100	2" BSP M	160	1.235	
HA380	FC-45	304	10.200	120	2" BSP M	160	1.235	
HA380A (*)	FC-45	316L	10.200	120	2" BSP M	160	1.235	

# Industrial Flanged Multilamp U.V. Sterilizers FC-D Series



- to be used for industrial water disinfection systems;
- multilamp U.V. sterilizer with polished AISI 304 sterilizing chamber (option in AISI 316L not available in stock) with inspection window and drain connection;
- electric box with electronic circuit, connection cable, operating time meter and switch;
- operating and service/failure led;
- conform with CE safety Directives;
- D.M. n.174 dated 06/04/2004 compliant about materials suitable for contact with water for human consumption;
- lamp quartz sheath;
- max operating pressure 7 bar;
- temperature  $2 \div 40^{\circ}\text{C}$ ;
- power supply 230 V – 50 Hz;
- irradiation  $> 40 \text{ mJ/cm}^2$ ;
- lamp life 10.000 hours;
- protection class IP43;
- possibility of connection with shut down solenoid valve;
- for relative spare parts see 07-02-01-EN data sheet.



(\*) not available in stock.

REF.	MODEL	AISI	MAX FLOW (l/h)	LAMP NUMBER	POWER (W)	CONNECTIONS	DIAMETER (mm)	LENGTH (mm)	
HA400	FC-70D	304	15.900	2	200	DN50 FLANGED	220	1.250	
HA400A (*)	FC-70D	316L	15.900	2	200	DN50 FLANGED	220	1.250	
HA410	FC-120D	304	27.250	3	360	DN65 FLANGED	273	1.250	
HA410A (*)	FC-120D	316L	27.250	3	360	DN65 FLANGED	273	1.250	
HA420	FC-180D	304	40.880	5	600	DN80 FLANGED	323	1.250	
HA420A (*)	FC-180D	316L	40.880	5	600	DN80 FLANGED	323	1.250	
HA430	FC-250D	304	56.780	7	840	DN100 FLANGED	400	1.250	
HA430A (*)	FC-250D	316L	56.780	7	840	DN100 FLANGED	400	1.250	

# U.V. Sterilizers HR - PC - W - FC - FC/D Spare Parts



REF.	DESCRIPTION	STERILIZERS UV		
HA500	LAMP UV - T5L10 W - D.18 x L.219 mm	HR-60	PC-1	
HA502	LAMP UV - T5L15 W - D.18 x L.310 mm	W-180		
HA504	LAMP UV - T5L21 W - D.18 x L.444 mm	W-360		
HA506	LAMP UV - T5L29 W - D.18 x L.630 mm	W-480	FC-8	
HA508	LAMP UV - T5L40 W - D.18 x L.850 mm	W-720	FC-12	
HA510	LAMP UV - T5L65 W - D.18 x L.850 mm	FC-15	FC-20	
HA512	LAMP UV - T6L85 W - D.18 x L.850 mm	FC-24		
HA514	LAMP UV - T6L100 W - D.23 x L.1160 mm	FC-35 2x FC-70D		
HA516	LAMP UV - T6L120 W - D.18 x L.1150 mm	FC-45 3x FC-120D 5x FC-180D 7x FC-250D		
HA530	LAMP UV - T5L10 W QUARTZ SHEATH D.24,5 x L.250 mm ONE OPEN END	HR-60		
HA531	LAMP UV - T5L10 W QUARTZ SHEATH D.24,5 x L.250 mm	PC-1		
HA532	LAMP UV - T5L15 W QUARTZ SHEATH D.24,5 x L.350 mm	W-180		
HA534	LAMP UV - T5L21 W QUARTZ SHEATH D.24,5 x L.530 mm	W-360		
HA536	LAMP UV - T5L29 W QUARTZ SHEATH D.24,5 x L.680 mm	W-480	FC-8	
HA538	LAMP UV - T5L40-65 W QUARTZ SHEATH D.24,5 x L.910 mm	W-720 FC-12	FC-15	
HA540	LAMP UV - T5L65W - T6L80W QUARTZ SHEATH D.30,0 x L.910 mm	FC-20	FC-24	
HA542	LAMP UV - T6L100-120 W QUARTZ SHEATH D.30,0 x L.1205 mm	FC-35 3x FC-120D	FC-45 5x FC-180D	2x FC-70D 7x FC-250D

# U.V. Sterilizers HR - PC - W - FC - FC/D Spare Parts



REF.	DESCRIPTION	STERILIZERS UV			
HA550	QUARTZ O-RING SILICONE FOR TUBE D.24,5 mm	HR-60 W-180	PC-1 W-360	W-480	W-720
HA550A	QUARTZ O-RING VITON FOR TUBE D.24,5 mm	FC-8	FC-12	FC-15	
HA552A	QUARTZ O-RING VITON FOR TUBE D.30,0 mm	FC-20 FC-70D	FC-24 FC-120D	FC-35 FC-180D	FC-45 FC-250D
HA552 (*)	QUARTZ O-RING SILICONE FOR TUBE D.30,0 mm	OPTIONAL			
HA560	ELECTRONIC BALLAST UV-3 230V/50Hz FOR LAMP 10 - 16 W	HR-60	PC-1	W-180	
HA562	ELECTRONIC BALLAST UV-6 90-264V/50-60Hz FOR LAMP 20 - 40 W	W-360	W-480	W-720	
HA563	INSIDE ELECTRONIC BALLAST UV-6 90-264V/50-60Hz FOR LAMP 20 - 40 W	FC-8	FC-12		
HA564	INSIDE ELECTRONIC BALLAST UV-8 90-264V/50-60Hz FOR LAMP 65 - 80 W	FC-15	FC-20	FC-24	
HA566	INSIDE ELECTRONIC BALLAST UV-12 100-240V/50Hz 100 - 120 W SINGLE-LAMP	FC-35 FC-70D	FC-45 FC-120D	FC-180D	FC-250D
HA570	ELECTRICAL PANEL COMPLETE	FC-8	FC-12		
HA572	ELECTRICAL PANEL COMPLETE	FC-15	FC-20	FC-24	
HA574	ELECTRICAL PANEL COMPLETE	FC-35	FC-45		
HA576	ELECTRICAL PANEL COMPLETE	FC-70D			
HA577	ELECTRICAL PANEL COMPLETE	FC-120D			
HA578	ELECTRICAL PANEL COMPLETE	FC-180D			
HA579	ELECTRICAL PANEL COMPLETE	FC-250D			

(\*) available till it will be out-of-stock.

## Old U.V. Sterilizers Spare Parts



REF.	DESCRIPTION	
HA055	Plastic Lamp UV 6 W D.16,0 x L.210 mm	
HA049	Lamp UV 6 W Inox 2+2 pin D.16,0 x L.225 mm	
HA050	Lamp 10 W D.18,0 x L.210 mm (white base)	
HA051 (**)	Lamp 12 W D.18,0 x L.210 mm (green base)	
HA052	Lamp 16 W D.18,0 x L.330 mm	
HA053	Lamp 30 W D.18,0 x L.450 mm	
HA054	Lamp 40 W D.18,0 x L.850 mm	
HA056	Lamp 80 W D.18,0 x L.850 mm	
HA065	Quartz for plastic lamp 6 W UV D.22,0 x L.249 mm	
HA067	Quartz for lamp 6 W UV Inox D.22,0 x L.251 mm	
HA060	Quartz for lamp 10 W D.22,0 x L.204 mm	
HA061	Quartz for lamp 12 W D.22,0 x L.238 mm	
HA062	Quartz for lamp 16 W D.22,0 x L.370 mm	
HA063	Quartz for lamp 30 W D.22,0 x L.500 mm	
HA064	Quartz for lamp 40 W and 80 W D.22,0 x L.900 mm	
HA074	Quartz o-ring silicone D.22,0 mm	
HA058	Electronic Ballast UV 6 W Inox	
HA069	Electronic Ballast UV 6 W plastic	
HA070	Transformer UV 12-16	
HA073	Power electrical board UV 30-40-240-340	
HA073A	Power electrical board UV 440-540	

(\*) available till it will be out-of-stock.



# Industrial U.V. Sterilizers in HDPE



- Made in European Union (Italy); - To be used for industrial water disinfection systems;
- With reactor in HDPE, available on demand with sensor;
- Electric box with electronic circuit, connection cable, operating time meter and switch;
- Operating and failure led; - With lamp quartz sheath;
- Conform with CE safety Directives and D.M. n.174 dated 06/04/2004 compliant about materials suitable for contact with water for human consumption;
- Available on request with UL certificate (for USA and Canada);
- Conform with EAC certificate for Russia and near-by Countries;
- Conform with Norwegian Restrictive Quality Certification for drinking water in Norway;
- Conform with a Norwegian certification of National Veterinary Institute, which gives the leading rules applied world wide in the sector of the fish farm;
- Max operating pressure 6 bar (4 bar for HA830 and HA832); - Temperature: 5 ÷ 35°C;
- UVC transmittance 99% - 1cm, UVC dose 400 J/m<sup>2</sup> ;
- Power supply 230 V – 50/60 Hz; Reactor protection class IP65;
- Control panel protection class IP54 (IP55 for models less than 15 m<sup>3</sup>/h);
- Possibility of connection with shut down solenoid valve;
- Optional alarm system and cleaning system.

↑	From bottom to top.
↔	Both directions.

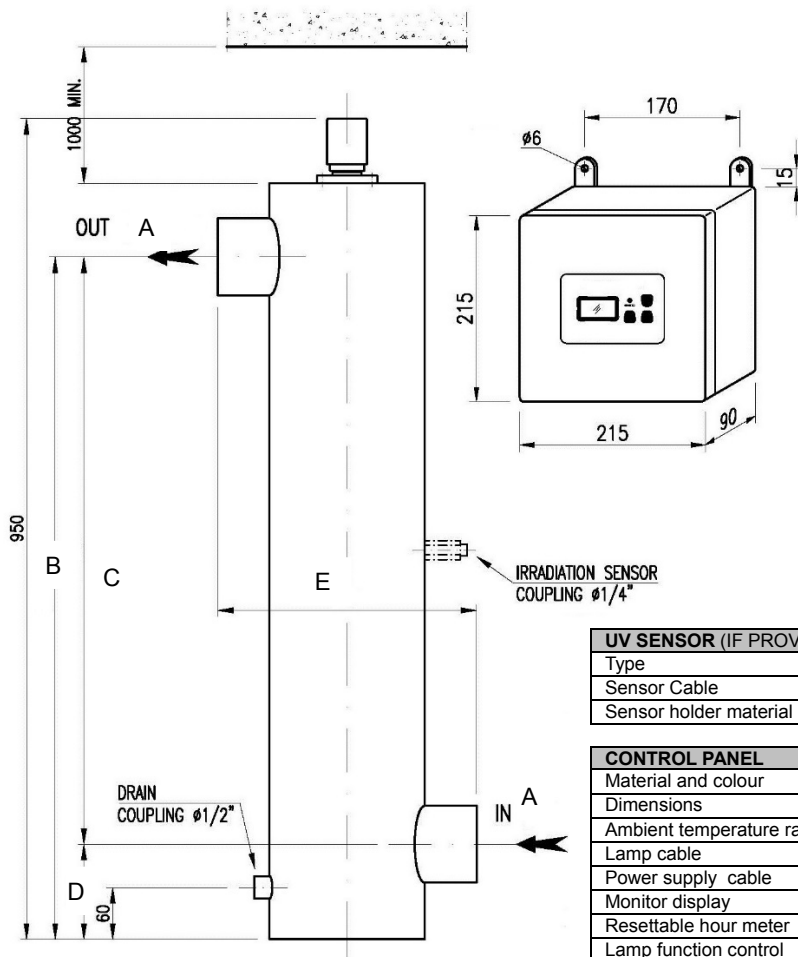
(\*) not available in stock.

REF.	MAX FLOW RATE (m <sup>3</sup> /h)	TOTAL CONSUMPTION (W)	No. LAMPS	LAMP POWER (W)	LIFESPAN OF LAMP	IN/OUT CONNECTIONS	SENSOR	MOUNTING	FLOW DIRECTION
HA800N (*)	3	40	1	40	9.000	1 ½" F	NO	Vert.	↑
HA800 (*)	3	40	1	40	9.000	1 ½" F	YES	Vert.	↑
HA802N (*)	5	80	1	80	9.000	1 ½" F	NO	Vert.	↑
HA802 (*)	5	80	1	80	9.000	1 ½" F	YES	Vert.	↑
HA804N (*)	8	80	2	40	9.000	2 ½" F	NO	Vert.	↑
HA804 (*)	8	80	2	40	9.000	2 ½" F	YES	Vert.	↑
HA806N (*)	15	160	2	80	9.000	2 ½" F	NO	Vert.	↑
HA806 (*)	15	160	2	80	9.000	2 ½" F	YES	Vert.	↑
HA808 (*)	22	260	3	80	9.000	DN65	YES	Vert.	↑
HA810 (*)	35	335	4	80	9.000	DN80	YES	Vert.	↑
HA812 (*)	45	440	5	80	9.000	DN100	YES	Vert.	↑
HA814 (*)	61	440	2	200	12.000	DN100	YES	Vert.	↑
HA816 (*)	90	660	3	200	12.000	DN100	YES	Vert.	↑
HA818 (*)	110	880	2	400	16.000	DN150	YES	Vert.	↑
HA820 (*)	150	1300	3	400	16.000	DN200	YES	Horiz.	↔
HA822 (*)	250	1760	4	400	16.000	DN250	YES	Horiz.	↔
HA824 (*)	340	2180	5	400	16.000	DN250	YES	Horiz.	↔
HA826 (*)	470	3100	7	400	16.000	DN300	YES	Horiz.	↔
HA828 (*)	600	3500	8	400	16.000	DN350	YES	Horiz.	↔
HA830 (*)	830	4400	10	400	16.000	DN400	YES	Horiz.	↔
HA832 (*)	980	5300	12	400	16.000	DN450	YES	Horiz.	↔

# Industrial U.V. Sterilizers in HDPE



REF.	REACTOR VOLUME (liters)	REACTOR WEIGHT (kg)	IN-OUT	B (mm)	C (mm)	D (mm)	E (mm)
HA800N	6	4	1 1/2" F	807	727	80	200
HA800	6	4	1 1/2" F	807	727	80	200
HA802N	6	4	1 1/2" F	807	727	80	200
HA802	6	4	1 1/2" F	807	727	80	200
HA804N	12,4	8	2 1/2" F	790	680	110	300
HA804	12,4	8	2 1/2" F	790	680	110	300
HA806N	12,4	11	2 1/2" F	790	680	110	300
HA806	12,4	11	2 1/2" F	790	680	110	300



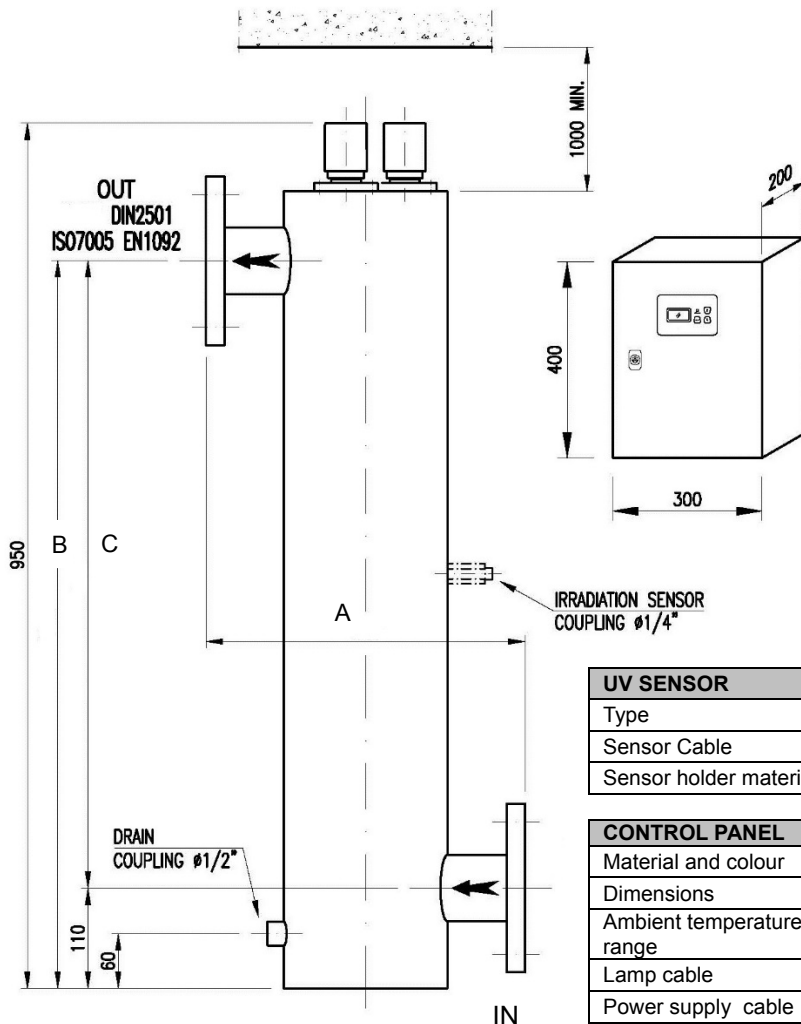
UV SENSOR (IF PROVIDED)	
Type	UVC selective sensor Mod. UV737TF
Sensor Cable	Shielded cable 4 meters
Sensor holder material	Teflon

CONTROL PANEL	LCD
Material and colour	Black Polypropylene
Dimensions	215 x 215 x 90 mm
Ambient temperature range	5 – 45 °C
Lamp cable	1 m
Power supply cable	1 m
Monitor display	LCD
Resettable hour meter	Yes for lamp life control
Lamp function control	Si
Free contact (NO - NC)	Yes – general alarm (max 2 A)
230 V output (NO - NC)	Yes – general alarm (max 2 A)
Remote ON/OFF contact	Yes (settable)
ON/OFF Timer	Yes (settable)
Reactor temperature measurement and alarm	Yes (°C) – settable value (shut off for high temperature) on Models with Sensor
UV Irradiance measurement and alarm	Yes (% or W/m <sup>2</sup> optional) – settable value on Models with Sensor
4/20 mA output	Optional – for Irradiance and water temperature on Models with Sensor

# Industrial U.V. Sterilizers in HDPE



REF.	REACTOR VOLUME (liters)	REACTOR WEIGHT (kg)	IN/OUT CONNECTIONS	A (mm)	B (mm)	C (mm)
HA808	12,7	11	Flange DN65	350	799	689
HA810	20,1	16	Flange DN80	400	790	680



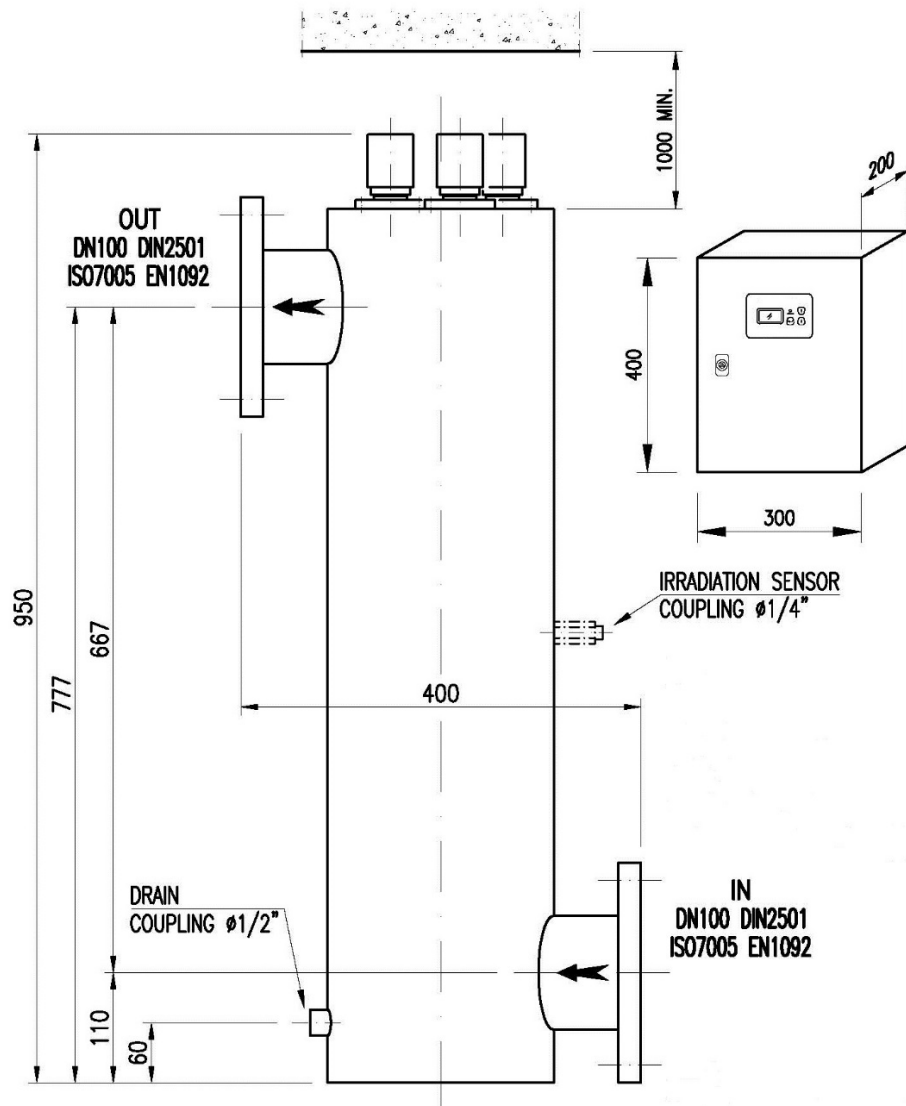
UV SENSOR	
Type	UVC selective sensor Mod. UV737TF
Sensor Cable	Shielded cable 4 meters
Sensor holder material	Teflon

CONTROL PANEL	RACK LCD
Material and colour	Painted Steel – RAL 7035
Dimensions	400 x 300 x 200 mm
Ambient temperature range	5 – 45 °C
Lamp cable	1 m
Power supply cable	1 m
Monitor display	LCD
Resettable hour meter	Yes for lamp life control
Lamp function control	Si
Free contact (NO - NC)	Yes – general alarm (max 2 A)
230 V output (NO - NC)	Yes – general alarm (max 2 A)
Remote ON/OFF contact	Yes (settable)
ON/OFF Timer	Yes (settable)
Reactor temperature measurement and alarm	Yes (°C) – settable value (shut off for high temperature)
UV Irradiance measurement and alarm	Yes (% or W/m <sup>2</sup> optional) – settable value
4/20 mA output	Optional – for Irradiance and water temperature

# Industrial U.V. Sterilizers in HDPE



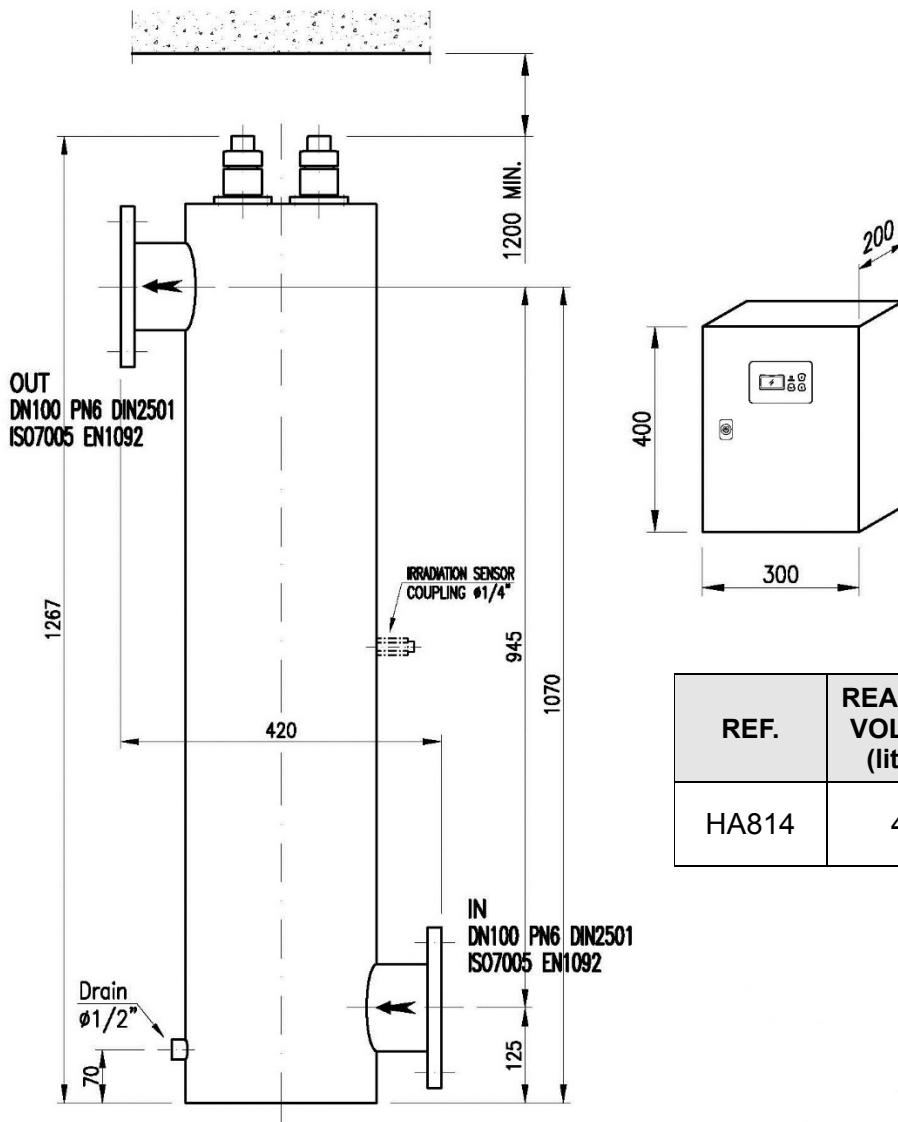
REF.	REACTOR VOLUME (liters)	REACTOR WEIGHT (kg)
HA812	20,5	19



UV SENSOR	
Type	UVC selective sensor Mod. UV737TF
Sensor Cable	Shielded cable 4 meters
Sensor holder material	Teflon

CONTROL PANEL	RACK LCD
Material and colour	Painted Steel – RAL 7035
Dimensions	400 x 300 x 200 mm
Ambient temperature range	5 – 45 °C
Lamp cable	1 m
Power supply cable	1 m
Monitor display	LCD
Resettable hour meter	Yes for lamp life control
Lamp function control	Si
Free contact (NO - NC)	Yes – general alarm (max 2 A)
230 V output (NO - NC)	Yes – general alarm (max 2 A)
Remote ON/OFF contact	Yes (settable)
ON/OFF Timer	Yes (settable)
Reactor temperature measurement and alarm	Yes (°C) – settable value (shut off for high temperature)
UV Irradiance measurement and alarm	Yes (% or W/m <sup>2</sup> optional) – settable value
4/20 mA output	Optional – for Irradiance and water temperature

# Industrial U.V. Sterilizers in HDPE

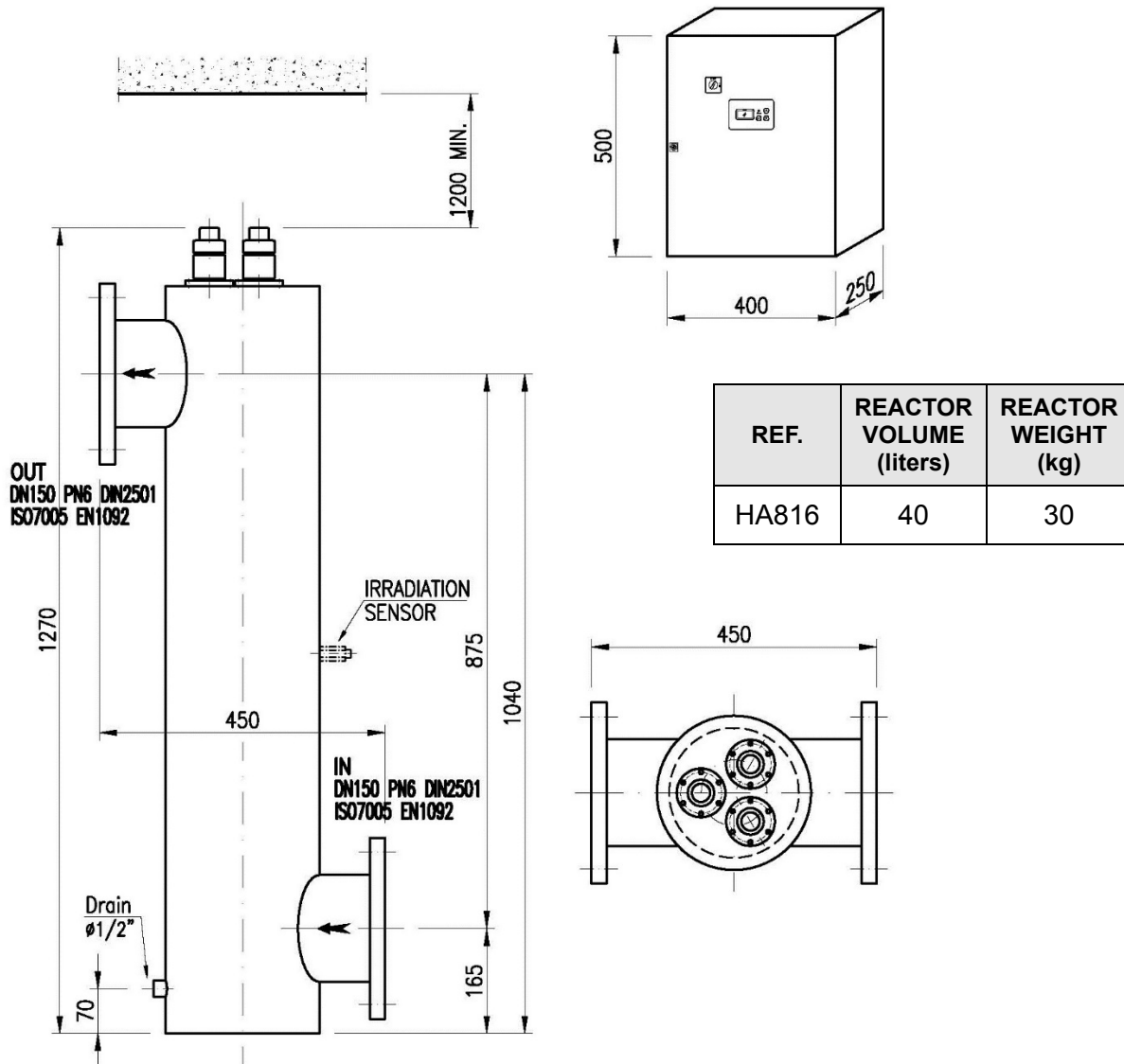


REF.	REACTOR VOLUME (liters)	REACTOR WEIGHT (kg)
HA814	40	30

UV SENSOR	
Type	UVC selective sensor Mod. UV737TF
Sensor Cable	Shielded cable 4 meters
Sensor holder material	Teflon

CONTROL PANEL	RACK LCD
Material and colour	Painted Steel – RAL 7035
Dimensions	400 x 300 x 200 mm
Ambient temperature range	5 – 45 °C
Lamp cable	1 m
Power supply cable	1 m
Monitor display	LCD
Resettable hour meter	Yes for lamp life control
Lamp function control	Si
Free contact (NO - NC)	Yes – general alarm (max 2 A)
230 V output (NO - NC)	Yes – general alarm (max 2 A)
Remote ON/OFF contact	Yes (settable)
ON/OFF Timer	Yes (settable)
Reactor temperature measurement and alarm	Yes (°C) – settable value (shut off for high temperature)
UV Irradiance measurement and alarm	Yes (% or W/m <sup>2</sup> optional) – settable value
4/20 mA output	Optional – for Irradiance and water temperature

# Industrial U.V. Sterilizers in HDPE



UV SENSOR	
Type	UVC selective sensor Mod. UV737TF
Sensor Cable	Shielded cable 4 meters
Sensor holder material	Teflon

CONTROL PANEL	RACK LCD
Material and colour	Painted Steel – RAL 7035
Dimensions	400 x 300 x 200 mm
Ambient temperature range	5 – 45 °C
Lamp cable	1 m
Power supply cable	1 m
Monitor display	LCD
Resettable hour meter	Yes for lamp life control
Lamp function control	Si
Free contact (NO - NC)	Yes – general alarm (max 2 A)
230 V output (NO - NC)	Yes – general alarm (max 2 A)
Remote ON/OFF contact	Yes (settable)
ON/OFF Timer	Yes (settable)
Reactor temperature measurement and alarm	Yes (°C) – settable value (shut off for high temperature)
UV Irradiance measurement and alarm	Yes (% or W/m <sup>2</sup> optional) – settable value
4/20 mA output	Optional – for Irradiance and water temperature

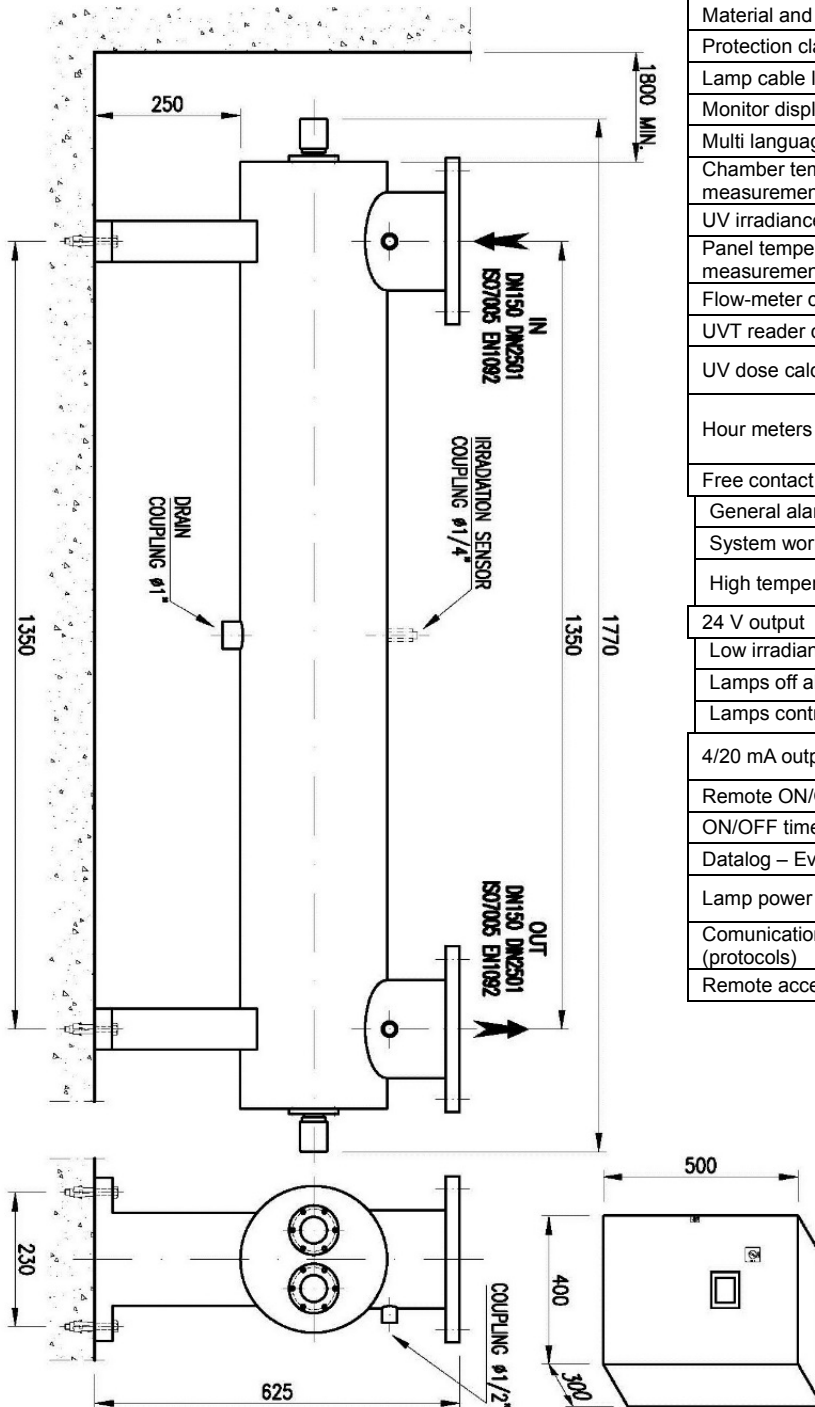
# Industrial U.V. Sterilizers in HDPE



REF.	REACTOR VOLUME (liters)	REACTOR WEIGHT (kg)
HA818	50	42

UV SENSOR	
Type	UVC selective sensor Mod. UV737TF
Sensor Cable	Shielded cable 4 meters
Sensor holder material	Teflon

CONTROL PANEL	
Material and colour	Painted Steel – RAL 7035
Protection class	IP 54
Lamp cable length	2,5 m
Monitor display	Touch-Screen (65000 colours)
Multi language display	Yes
Chamber temperature measurement	Yes (°C)
UV irradiance measurement	Yes (% or W/m <sup>2</sup> )
Panel temperature measurement	Yes (°C)
Flow-meter connection	Yes (4-20 mA)
UVT reader connection	Yes (4-20 mA)
UV dose calculation	Optional (only with external flow meter)
Hour meters	For total system life – Resettable for lamp life control
Free contact alarms (N/O)	Yes (max 1.3 A)
General alarm	Yes (settable contact working)
System working signal	Yes
High temperature alarm	Yes for panel and reactor (shut off for high temperature)
24 V output	Yes
Low irradiance alarm	Yes (settable value)
Lamps off alarm	Yes
Lamps control on/off	Yes
4/20 mA output	Yes for irradiance and temperature
Remote ON/OFF	Yes (settable contact working)
ON/OFF timer	Yes
Datalog – Events	Yes
Lamp power regulation	Manual or Automatic (dose or flow pacing)
Communication ports (protocols)	CAN, Ethernet, USB, Seriale (Modbus, TCP/IP, CANopen)
Remote access	with specific App or WebGate



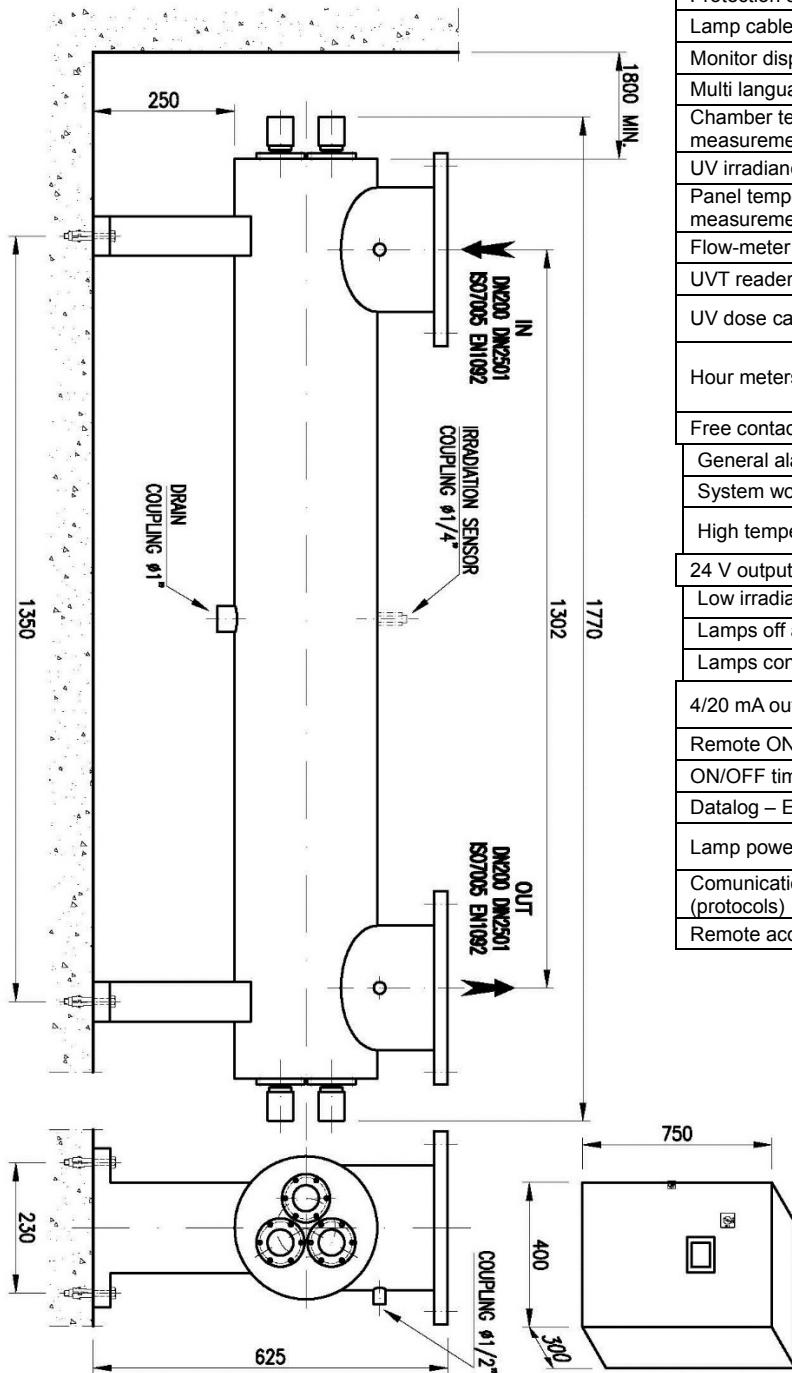
# Industrial U.V. Sterilizers in HDPE



REF.	REACTOR VOLUME (liters)	REACTOR WEIGHT (kg)
HA820	52,3	42

UV SENSOR	
Type	UVC selective sensor Mod. UV737TF
Sensor Cable	Shielded cable 4 meters
Sensor holder material	Teflon

CONTROL PANEL	
Material and colour	Painted Steel – RAL 7035
Protection class	IP 54
Lamp cable length	2,5 m
Monitor display	Touch-Screen (65000 colours)
Multi language display	Yes
Chamber temperature measurement	Yes (°C)
UV irradiance measurement	Yes (% or W/m <sup>2</sup> )
Panel temperature measurement	Yes (°C)
Flow-meter connection	Yes (4-20 mA)
UVT reader connection	Yes (4-20 mA)
UV dose calculation	Optional (only with external flow meter)
Hour meters	For total system life – Resettable for lamp life control
Free contact alarms (N/O)	Yes (max 1.3 A)
General alarm	Yes (settable contact working)
System working signal	Yes
High temperature alarm	Yes for panel and reactor (shut off for high temperature)
24 V output	Yes
Low irradiance alarm	Yes (settable value)
Lamps off alarm	Yes
Lamps control on/off	Yes
4/20 mA output	Yes for irradiance and temperature
Remote ON/OFF	Yes (settable contact working)
ON/OFF timer	Yes
Datalog – Events	Yes
Lamp power regulation	Manual or Automatic (dose or flow pacing)
Communication ports (protocols)	CAN, Ethernet, USB, Seriale (Modbus, TCP/IP, CANopen)
Remote access	with specific App or WebGate





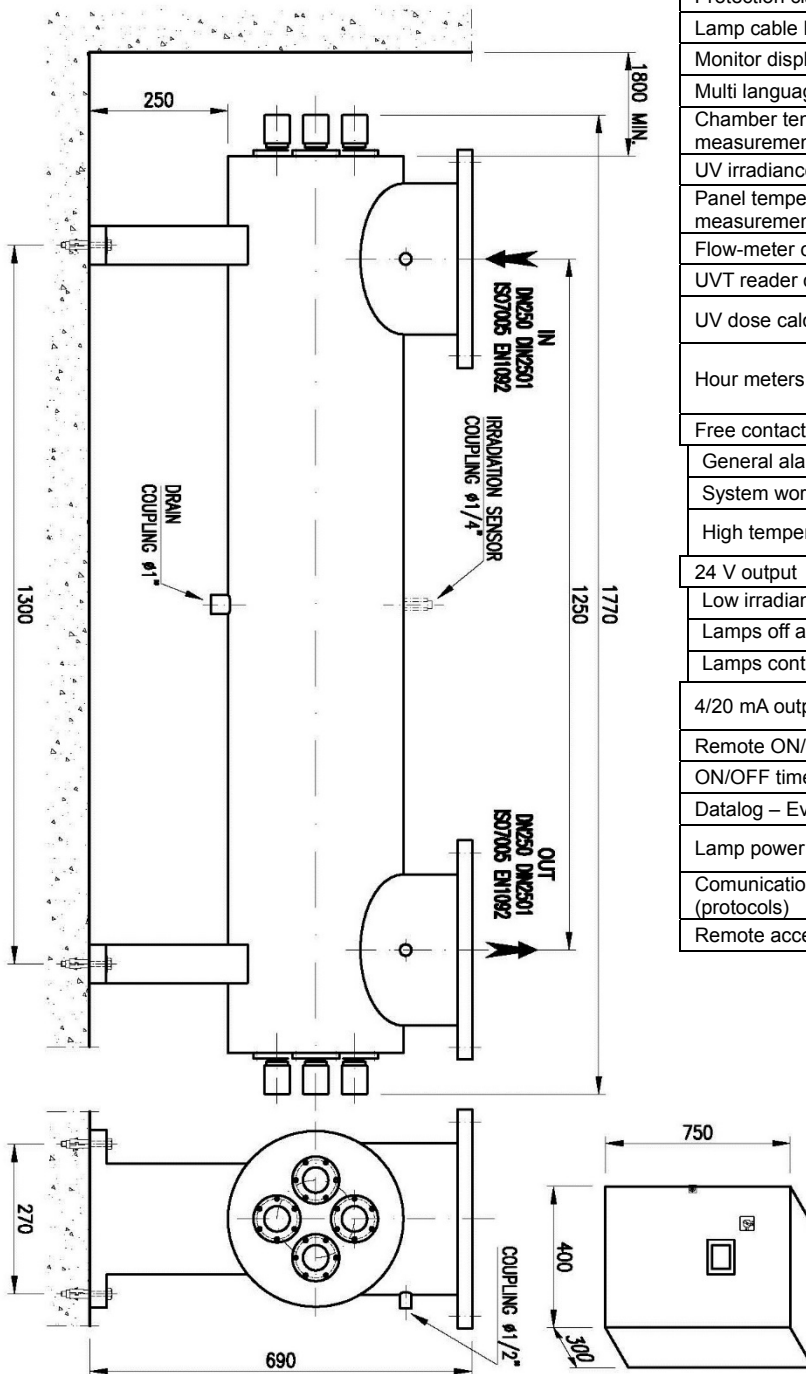
# Industrial U.V. Sterilizers in HDPE



REF.	REACTOR VOLUME (liters)	REACTOR WEIGHT (kg)
HA822	84	52

UV SENSOR	
Type	UVC selective sensor Mod. UV737TF
Sensor Cable	Shielded cable 4 meters
Sensor holder material	Teflon

CONTROL PANEL	
Material and colour	Painted Steel – RAL 7035
Protection class	IP 54
Lamp cable length	2,5 m
Monitor display	Touch-Screen (65000 colours)
Multi language display	Yes
Chamber temperature measurement	Yes (°C)
UV irradiance measurement	Yes (% or W/m <sup>2</sup> )
Panel temperature measurement	Yes (°C)
Flow-meter connection	Yes (4-20 mA)
UVT reader connection	Yes (4-20 mA)
UV dose calculation	Optional (only with external flow meter)
Hour meters	For total system life – Resettable for lamp life control
Free contact alarms (N/O)	Yes (max 1.3 A)
General alarm	Yes (settable contact working)
System working signal	Yes
High temperature alarm	Yes for panel and reactor (shut off for high temperature)
24 V output	Yes
Low irradiance alarm	Yes (settable value)
Lamps off alarm	Yes
Lamps control on/off	Yes
4/20 mA output	Yes for irradiance and temperature
Remote ON/OFF	Yes (settable contact working)
ON/OFF timer	Yes
Datalog – Events	Yes
Lamp power regulation	Manual or Automatic (dose or flow pacing)
Communication ports (protocols)	CAN, Ethernet, USB, Seriale (Modbus, TCP/IP, CANopen)
Remote access	with specific App or WebGate



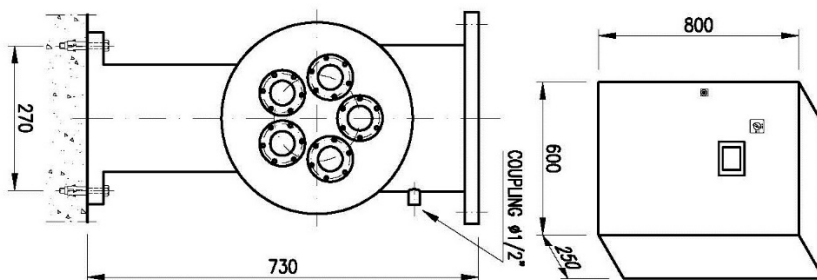
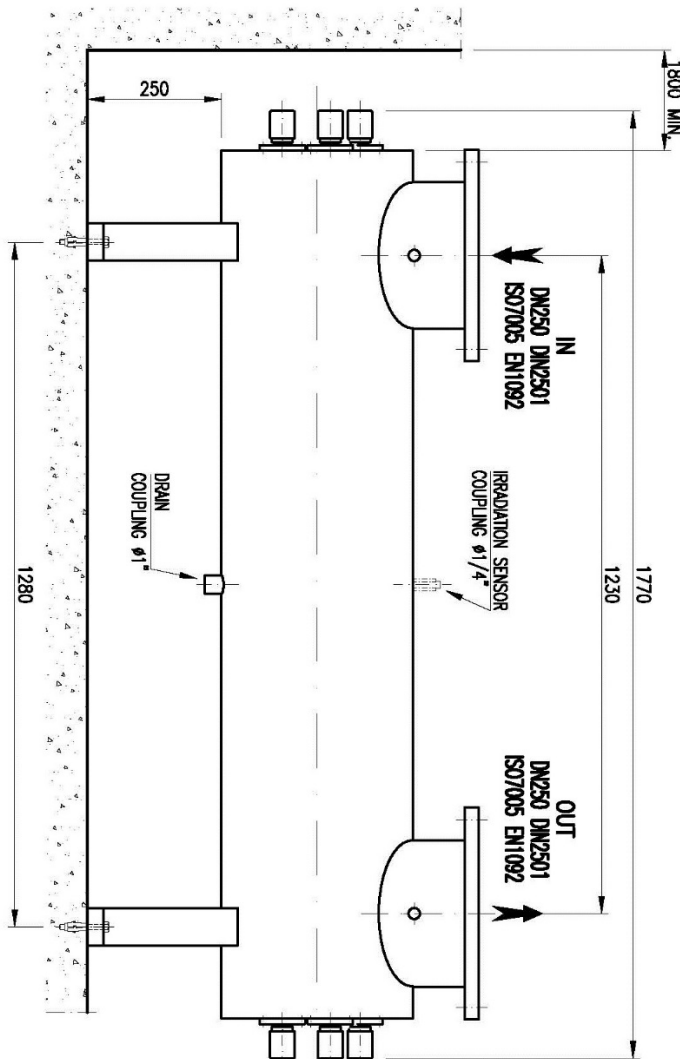
# Industrial U.V. Sterilizers in HDPE



REF.	REACTOR VOLUME (liters)	REACTOR WEIGHT (kg)
HA824	101	80

UV SENSOR	
Type	UVC selective sensor Mod. UV737TF
Sensor Cable	Shielded cable 4 meters
Sensor holder material	Teflon

CONTROL PANEL	
Material and colour	Painted Steel – RAL 7035
Protection class	IP 54
Lamp cable length	2,5 m
Monitor display	Touch-Screen (65000 colours)
Multi language display	Yes
Chamber temperature measurement	Yes (°C)
UV irradiance measurement	Yes (% or W/m <sup>2</sup> )
Panel temperature measurement	Yes (°C)
Flow-meter connection	Yes (4-20 mA)
UVT reader connection	Yes (4-20 mA)
UV dose calculation	Optional (only with external flow meter)
Hour meters	For total system life – Resettable for lamp life control
Free contact alarms (N/O)	Yes (max 1.3 A)
General alarm	Yes (settable contact working)
System working signal	Yes
High temperature alarm	Yes for panel and reactor (shut off for high temperature)
24 V output	Yes
Low irradiance alarm	Yes (settable value)
Lamps off alarm	Yes
Lamps control on/off	Yes
4/20 mA output	Yes for irradiance and temperature
Remote ON/OFF	Yes (settable contact working)
ON/OFF timer	Yes
Datalog – Events	Yes
Lamp power regulation	Manual or Automatic (dose or flow pacing)
Communication ports (protocols)	CAN, Ethernet, USB, Seriale (Modbus, TCP/IP, CANopen)
Remote access	with specific App or WebGate



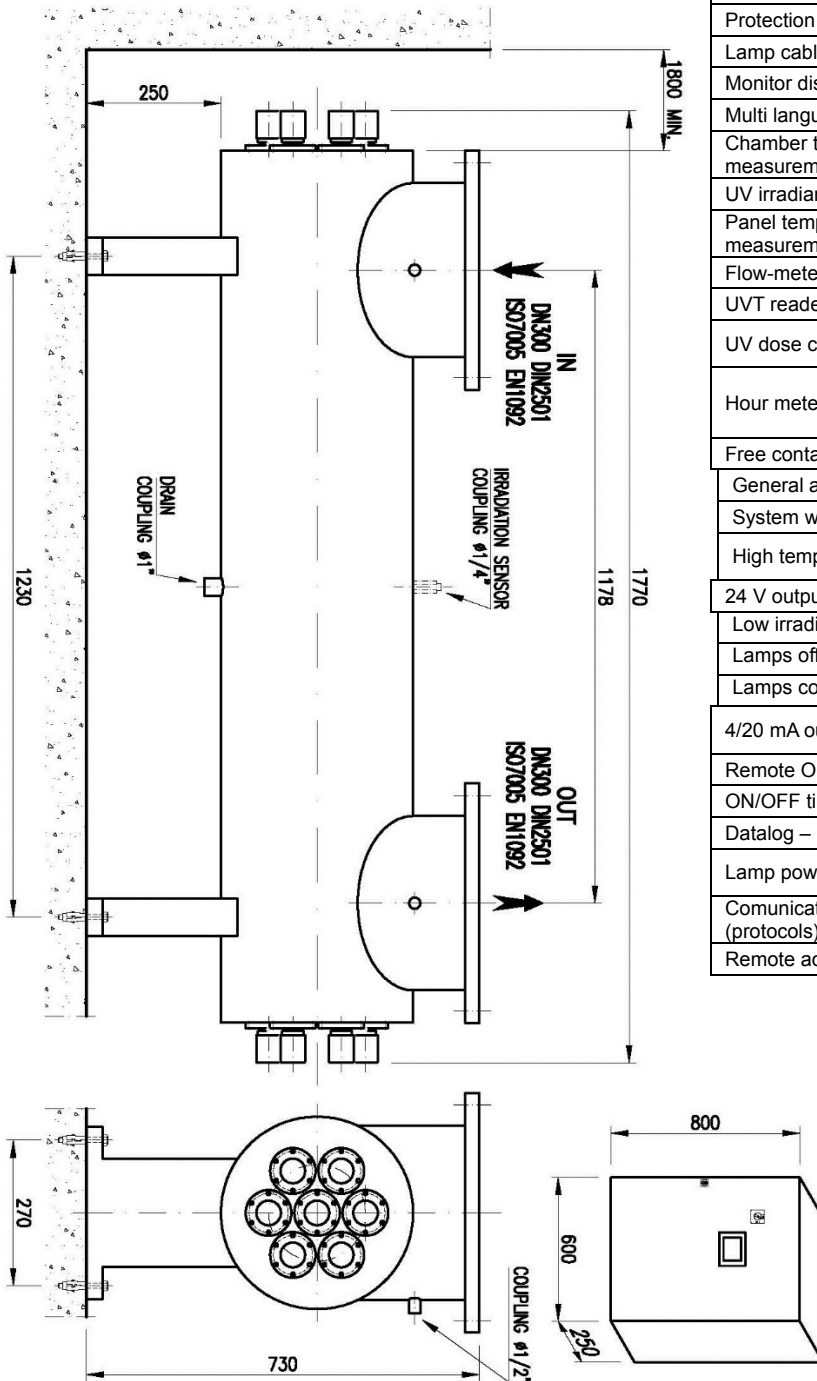
# Industrial U.V. Sterilizers in HDPE



REF.	REACTOR VOLUME (liters)	REACTOR WEIGHT (kg)
HA826	104	100

UV SENSOR	
Type	UVC selective sensor Mod. UV737TF
Sensor Cable	Shielded cable 4 meters
Sensor holder material	Teflon

CONTROL PANEL	
Material and colour	Painted Steel – RAL 7035
Protection class	IP 54
Lamp cable length	2,5 m
Monitor display	Touch-Screen (65000 colours)
Multi language display	Yes
Chamber temperature measurement	Yes (°C)
UV irradiance measurement	Yes (% or W/m <sup>2</sup> )
Panel temperature measurement	Yes (°C)
Flow-meter connection	Yes (4-20 mA)
UVT reader connection	Yes (4-20 mA)
UV dose calculation	Optional (only with external flow meter)
Hour meters	For total system life – Resettable for lamp life control
Free contact alarms (N/O)	Yes (max 1.3 A)
General alarm	Yes (settable contact working)
System working signal	Yes
High temperature alarm	Yes for panel and reactor (shut off for high temperature)
24 V output	Yes
Low irradiance alarm	Yes (settable value)
Lamps off alarm	Yes
Lamps control on/off	Yes
4/20 mA output	Yes for irradiance and temperature
Remote ON/OFF	Yes (settable contact working)
ON/OFF timer	Yes
Datalog – Events	Yes
Lamp power regulation	Manual or Automatic (dose or flow pacing)
Communication ports (protocols)	CAN, Ethernet, USB, Seriale (Modbus, TCP/IP, CANopen)
Remote access	with specific App or WebGate



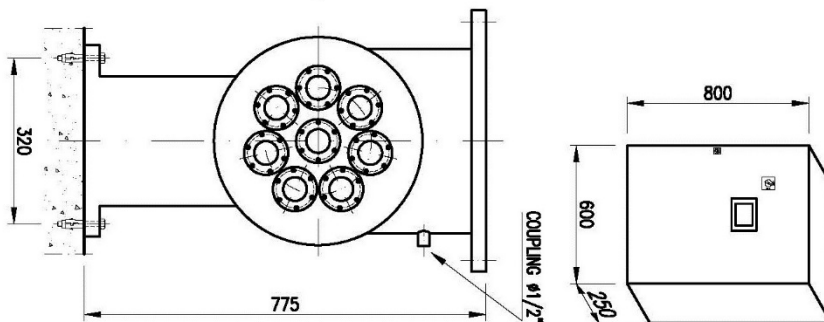
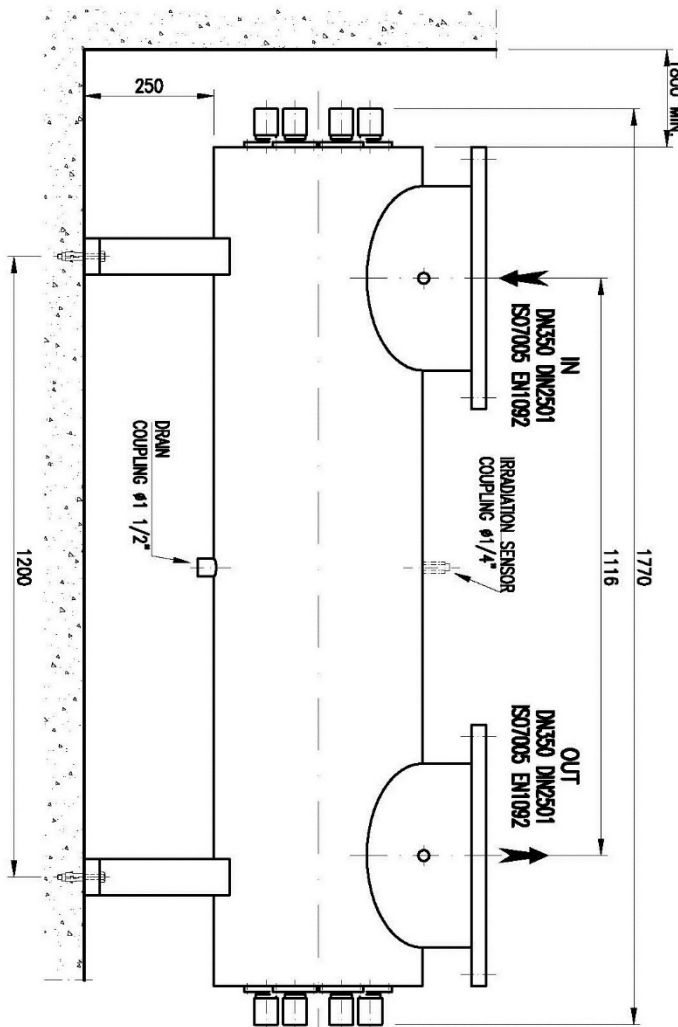
# Industrial U.V. Sterilizers in HDPE



REF.	REACTOR VOLUME (liters)	REACTOR WEIGHT (kg)
HA828	130	165

UV SENSOR	
Type	UVC selective sensor Mod. UV737TF
Sensor Cable	Shielded cable 4 meters
Sensor holder material	Teflon

CONTROL PANEL	
Material and colour	Painted Steel – RAL 7035
Protection class	IP 54
Lamp cable length	2,5 m
Monitor display	Touch-Screen (65000 colours)
Multi language display	Yes
Chamber temperature measurement	Yes (°C)
UV irradiance measurement	Yes (% or W/m <sup>2</sup> )
Panel temperature measurement	Yes (°C)
Flow-meter connection	Yes (4-20 mA)
UVT reader connection	Yes (4-20 mA)
UV dose calculation	Optional (only with external flow meter)
Hour meters	For total system life – Resettable for lamp life control
Free contact alarms (N/O)	Yes (max 1.3 A)
General alarm	Yes (settable contact working)
System working signal	Yes
High temperature alarm	Yes for panel and reactor (shut off for high temperature)
24 V output	Yes
Low irradiance alarm	Yes (settable value)
Lamps off alarm	Yes
Lamps control on/off	Yes
4/20 mA output	Yes for irradiance and temperature
Remote ON/OFF	Yes (settable contact working)
ON/OFF timer	Yes
Datalog – Events	Yes
Lamp power regulation	Manual or Automatic (dose or flow pacing)
Communication ports (protocols)	CAN, Ethernet, USB, Seriale (Modbus, TCP/IP, CANopen)
Remote access	with specific App or WebGate



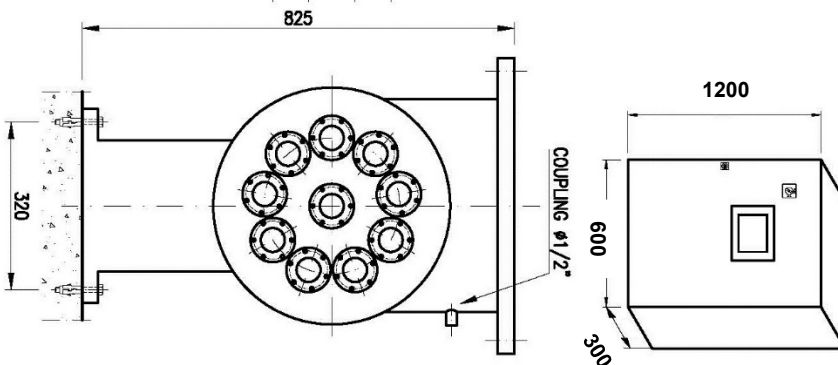
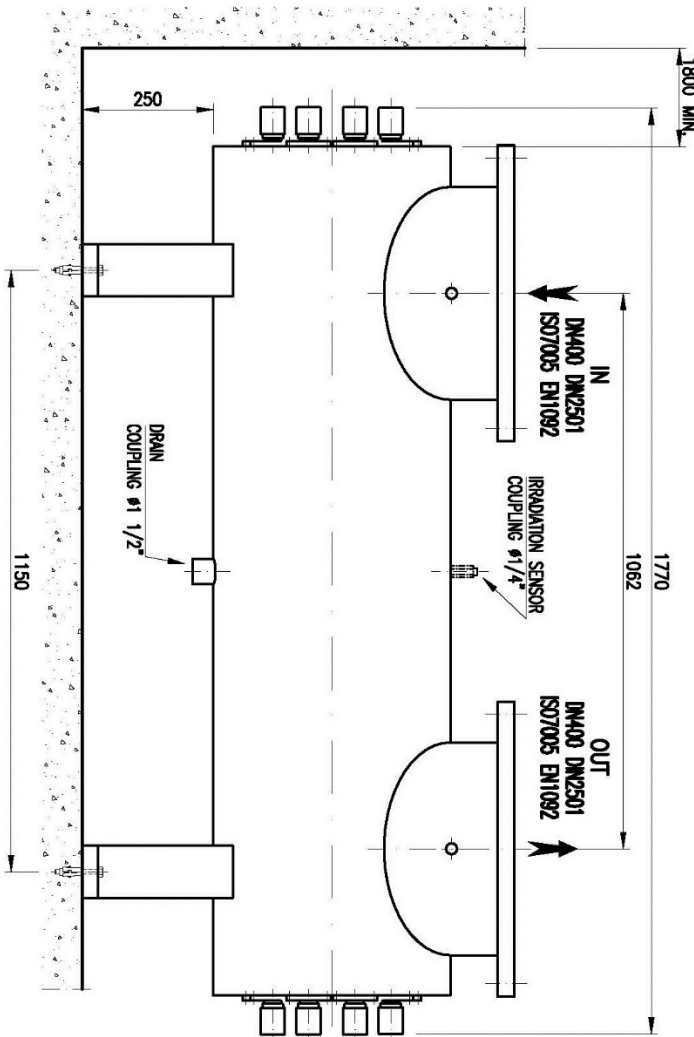
# Industrial U.V. Sterilizers in HDPE



REF.	REACTOR VOLUME (liters)	REACTOR WEIGHT (kg)
HA830	165	180

UV SENSOR	
Type	UVC selective sensor Mod. UV737TF
Sensor Cable	Shielded cable 4 meters
Sensor holder material	Teflon

CONTROL PANEL	
Material and colour	Painted Steel – RAL 7035
Protection class	IP 54
Lamp cable length	2,5 m
Monitor display	Touch-Screen (65000 colours)
Multi language display	Yes
Chamber temperature measurement	Yes (°C)
UV irradiance measurement	Yes (% or W/m <sup>2</sup> )
Panel temperature measurement	Yes (°C)
Flow-meter connection	Yes (4-20 mA)
UVT reader connection	Yes (4-20 mA)
UV dose calculation	Optional (only with external flow meter)
Hour meters	For total system life – Resettable for lamp life control
Free contact alarms (N/O)	Yes (max 1.3 A)
General alarm	Yes (settable contact working)
System working signal	Yes
High temperature alarm	Yes for panel and reactor (shut off for high temperature)
24 V output	Yes
Low irradiance alarm	Yes (settable value)
Lamps off alarm	Yes
Lamps control on/off	Yes
4/20 mA output	Yes for irradiance and temperature
Remote ON/OFF	Yes (settable contact working)
ON/OFF timer	Yes
Datalog – Events	Yes
Lamp power regulation	Manual or Automatic (dose or flow pacing)
Communication ports (protocols)	CAN, Ethernet, USB, Seriale (Modbus, TCP/IP, CANopen)
Remote access	with specific App or WebGate



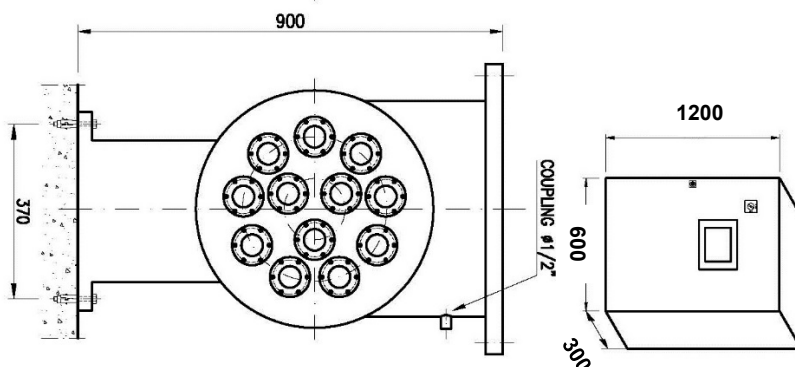
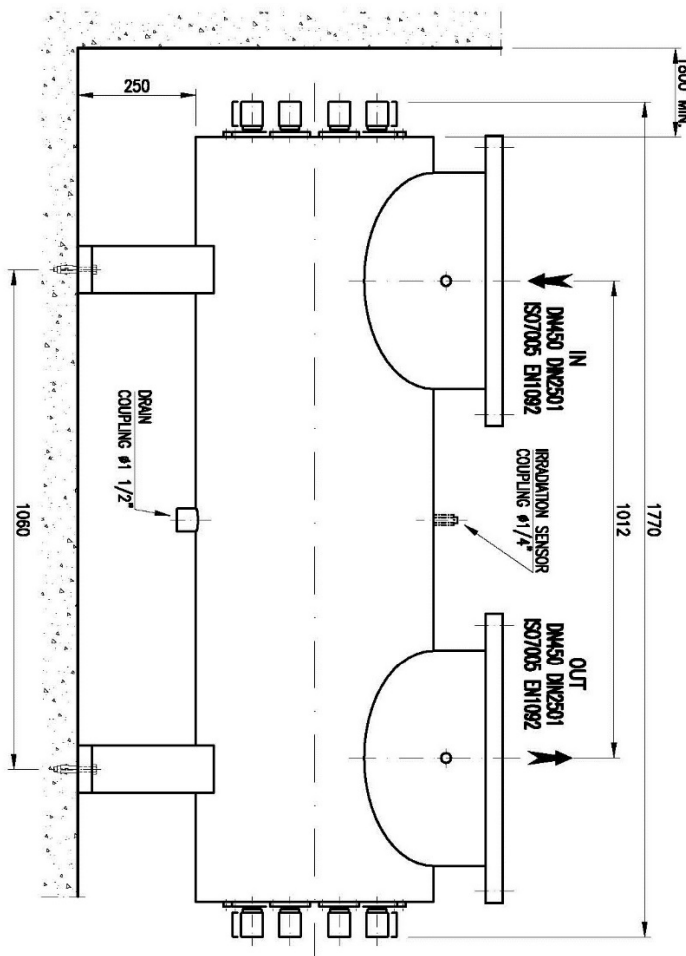
# Industrial U.V. Sterilizers in HDPE



REF.	REACTOR VOLUME (liters)	REACTOR WEIGHT (kg)
HA832	214	220

UV SENSOR	
Type	UVC selective sensor Mod. UV737TF
Sensor Cable	Shielded cable 4 meters
Sensor holder material	Teflon

CONTROL PANEL	
Material and colour	Painted Steel – RAL 7035
Protection class	IP 54
Lamp cable length	2,5 m
Monitor display	Touch-Screen (65000 colours)
Multi language display	Yes
Chamber temperature measurement	Yes (°C)
UV irradiance measurement	Yes (% or W/m <sup>2</sup> )
Panel temperature measurement	Yes (°C)
Flow-meter connection	Yes (4-20 mA)
UVT reader connection	Yes (4-20 mA)
UV dose calculation	Optional (only with external flow meter)
Hour meters	For total system life – Resettable for lamp life control
Free contact alarms (N/O)	Yes (max 1.3 A)
General alarm	Yes (settable contact working)
System working signal	Yes
High temperature alarm	Yes for panel and reactor (shut off for high temperature)
24 V output	Yes
Low irradiance alarm	Yes (settable value)
Lamps off alarm	Yes
Lamps control on/off	Yes
4/20 mA output	Yes for irradiance and temperature
Remote ON/OFF	Yes (settable contact working)
ON/OFF timer	Yes
Datalog – Events	Yes
Lamp power regulation	Manual or Automatic (dose or flow pacing)
Communication ports (protocols)	CAN, Ethernet, USB, Seriale (Modbus, TCP/IP, CANopen)
Remote access	with specific App or WebGate



# Industrial U.V. Sterilizers in AISI 316L 200 W Series



- Made in European Union (Italy);
- To be used for industrial water disinfection systems;
- Single-lamp or multi-lamp systems, with single lamp 200 W;
- With reactor in AISI 316L, with sensor;
- Electric box with electronic circuit, connection cable, operating time meter and switch;
- Operating and failure led;
- Conform with CE safety Directives and D.M. n.174 dated 06/04/2004 compliant about materials suitable for contact with water for human consumption;
- Available on request with UL certificate (for USA and Canada);
- WRAS approved products (for UK);
- Conform with EAC certificate for Russia and near-by Countries;
- Conform with Polish Quality Certification for Poland;
- With lamp quartz sheath;
- Max operating pressure 10 bar; Temperature: 5 ÷ 50°C;
- UVC transmittance 98% - 1cm, UVC dose 400 J/m<sup>2</sup> ;
- Power supply 230 V – 50/60 Hz and life span of lamp 12.000 hours;
- Reactor protection class IP65;
- Control panel protection class IP54;
- Possibility of connection with shut down solenoid valve;
- Optional alarm system;
- Optional cleaning system (manual or automatic);
- Vertical mounting (horizontal for automatic cleaning systems).

↑ From bottom to top.  
↔ Both directions.

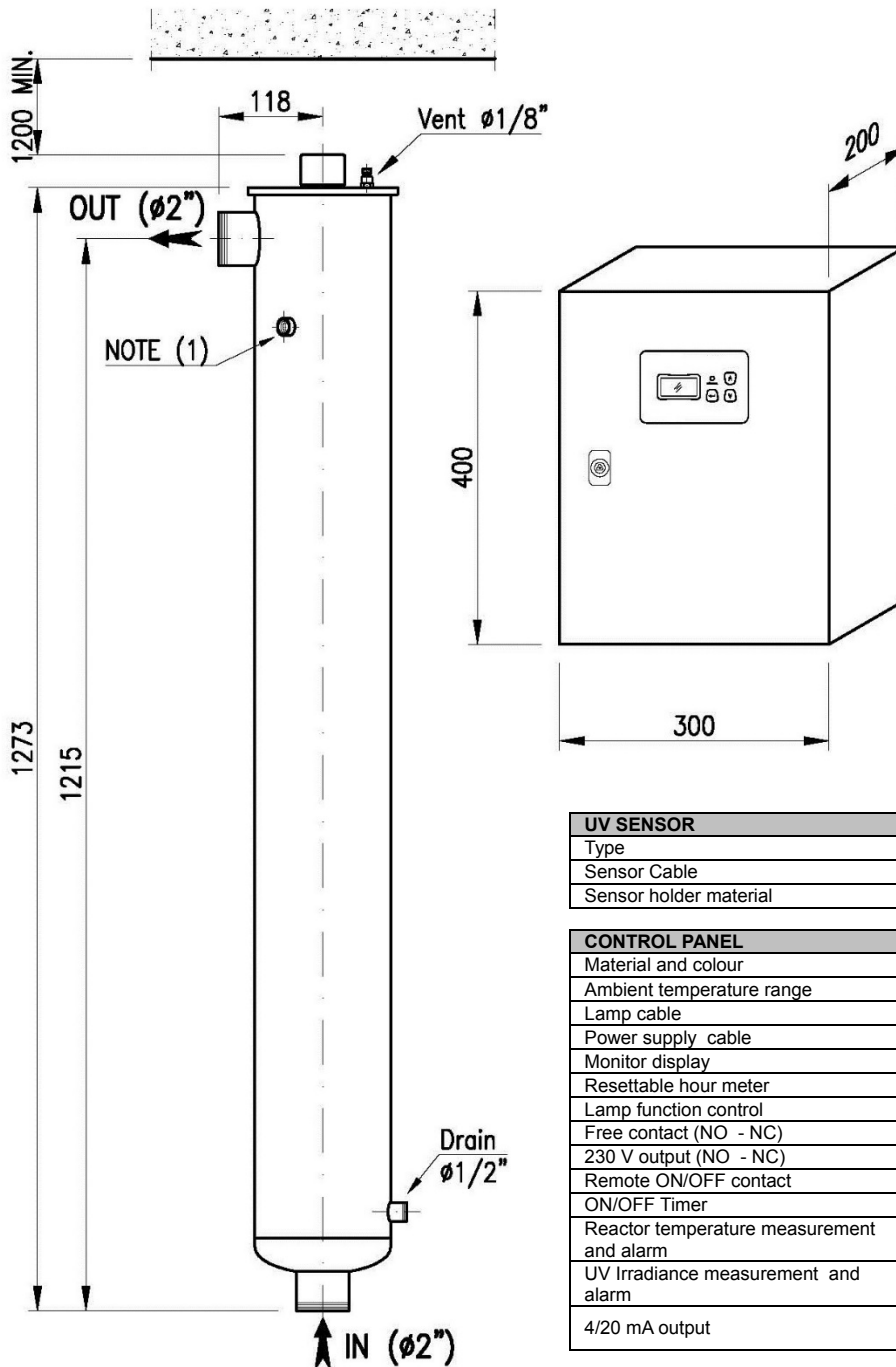
(\*) not available in stock.

REF.	MAX FLOW RATE (m <sup>3</sup> /h)	TOTAL CONSUMPTION (W)	No. LAMPS	LAMP POWER (W)	IN/OUT CONNECTIONS	CLEANING SYSTEM	FLOW DIRECTION	
HA840 (*)	24	222	1	200	2" M	NO	↑	
HA840M (*)	24	222	1	200	2" M	Manual	↑	
HA840A (*)	24	222	1	200	2" M	Automatic	↔	
HA842 (*)	60	444	2	200	DN80	NO	↑	
HA842M (*)	60	444	2	200	DN80	Manual	↑	
HA842A (*)	60	444	2	200	DN80	Automatic	↔	
HA844 (*)	96	666	3	200	DN100	NO	↑	
HA844A (*)	96	666	3	200	DN100	Automatic	↔	
HA846 (*)	125	888	4	200	DN150	NO	↑	
HA848 (*)	160	888	4	200	DN150	NO	↑	
HA848A (*)	160	888	4	200	DN150	Automatic	↔	

# Industrial U.V. Sterilizers in AISI 316L 200 W Series



REF.	REACTOR VOLUME (liters)	REACTOR WEIGHT (kg)	IN-OUT
HA840	21,5	13	2" M
HA840M	21,5	13	2" M



UV SENSOR	
Type	UVC selective sensor Mod. UV737
Sensor Cable	Shielded cable 4 meters
Sensor holder material	Stainless steel 316L

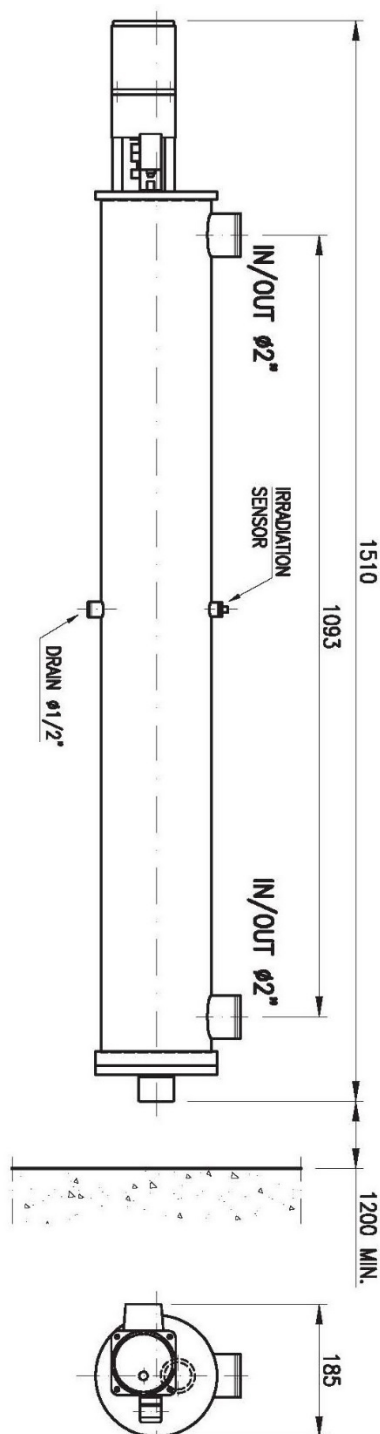
CONTROL PANEL	RACK LCD
Material and colour	Black Painted Steel – RAL 7035
Ambient temperature range	5 – 45 °C
Lamp cable	2,5 m
Power supply cable	1 m
Monitor display	LCD
Resettable hour meter	Yes for lamp life control
Lamp function control	Yes
Free contact (NO - NC)	Yes – general alarm (max 2 A)
230 V output (NO - NC)	Yes – general alarm (max 2 A)
Remote ON/OFF contact	Yes (settable)
ON/OFF Timer	Yes (settable)
Reactor temperature measurement and alarm	Yes (°C) – settable value (shut off for high temperature)
UV Irradiance measurement and alarm	Yes (% or W/m2 optional) – settable value
4/20 mA output	Optional – for Irradiance and water temperature



# Industrial U.V. Sterilizers in AISI 316L 200 W Series

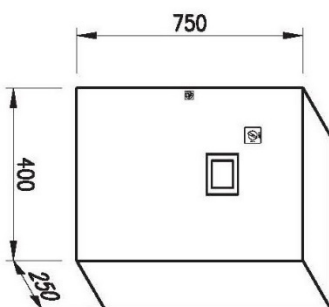


REF.	REACTOR VOLUME (liters)	REACTOR WEIGHT (kg)	IN-OUT
HA840A	21,5	13	2" M



UV SENSOR	
Type	UVC selective sensor Mod. UV737
Sensor Cable	Shielded cable 4 meters
Sensor holder material	Stainless steel 316L

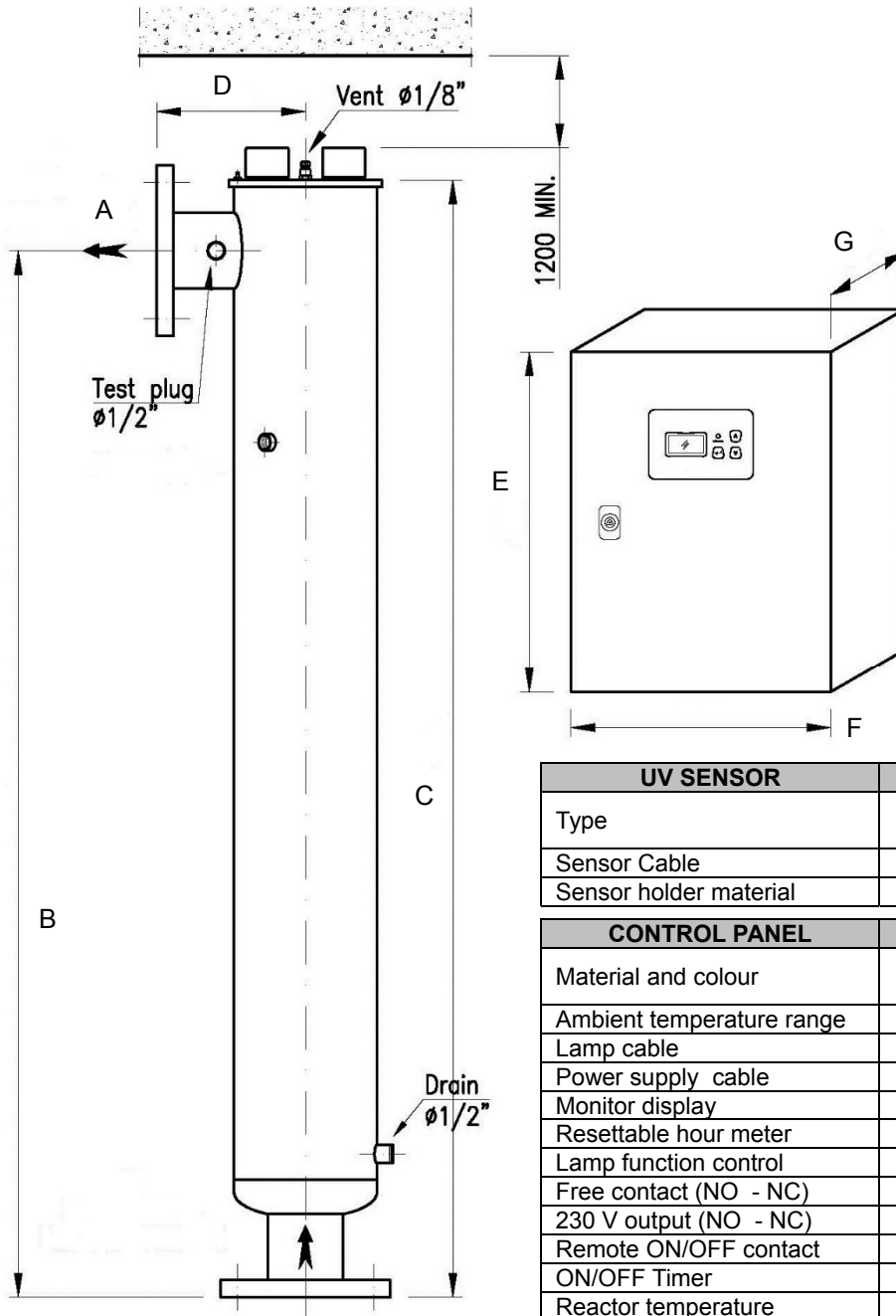
CONTROL PANEL	RACK LCD
Material and colour	Black Painted Steel – RAL 7035
Ambient temperature range	5 – 45 °C
Lamp cable	4 m
Monitor display	TOUCH SCREEN (65.000 colors)
Multilanguage display	IT-EN-FR-ES
Resettable hour meter	Yes for lamp life control
Lamp function control	Yes
Free contact (NO - NC)	Yes – general alarm (max 1,3 A)
Remote ON/OFF contact	Yes (settable)
ON/OFF Timer	Yes
Reactor temperature measurement and alarm	Yes (°C) (shut off for high temperature)
UV Irradiance measurement and alarm	Yes (% or W/m <sup>2</sup> )
4/20 mA output	Yes for irradiance and water temperature



# Industrial U.V. Sterilizers in AISI 316L 200 W Series



REF.	REACTOR VOLUME (liters)	REACTOR WEIGHT (kg)	A IN-OUT	B (mm)	C (mm)	D (mm)	E (mm)	F (mm)	G (mm)
HA842	39	25	DN80	1230	1313	175	400	300	200
HA842M	39	25	DN80	1230	1313	175	400	300	200



UV SENSOR	
Type	UVC selective sensor Mod. UV737
Sensor Cable	Shielded cable 4 meters
Sensor holder material	Stainless steel 316L

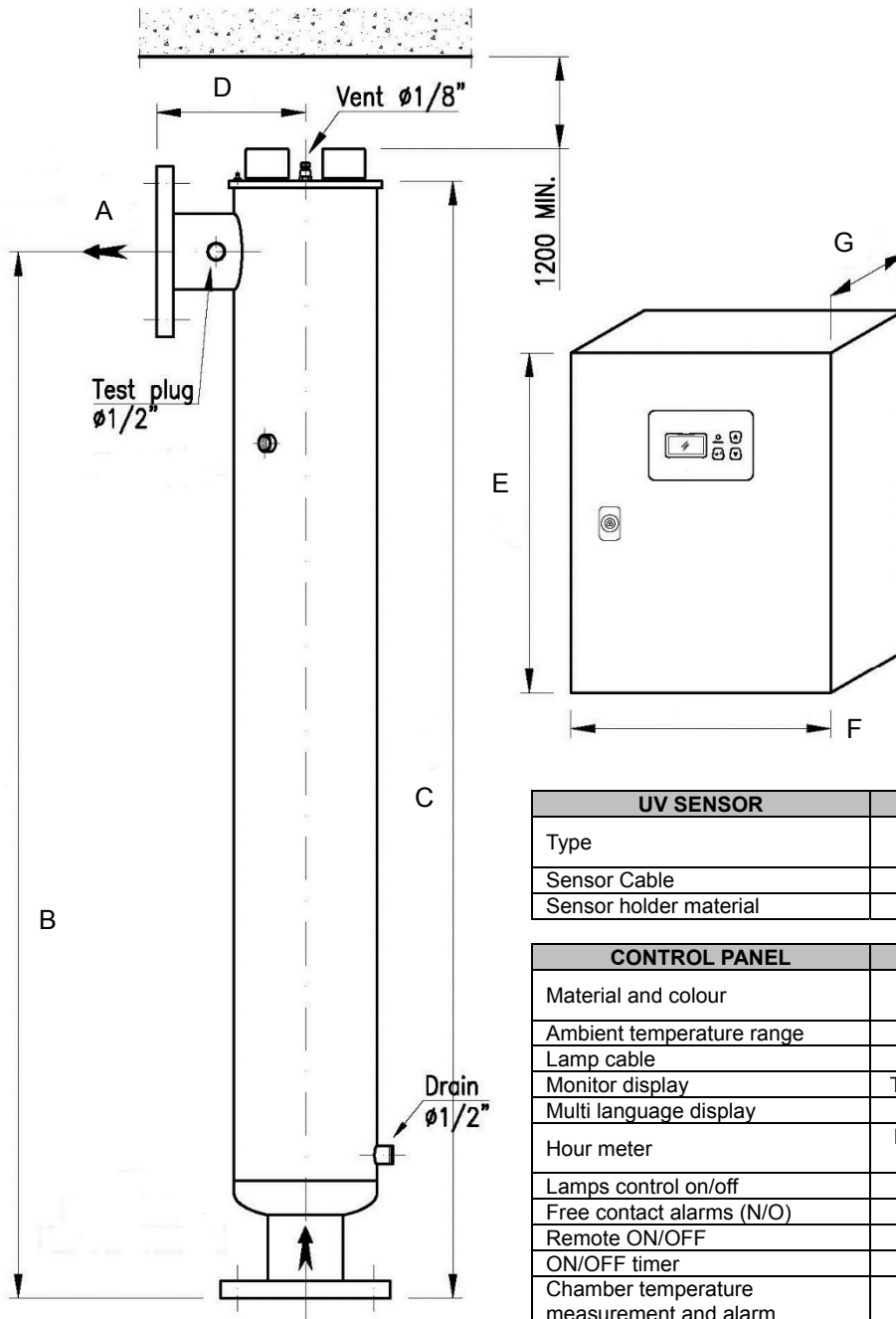
  

CONTROL PANEL	RACK LCD
Material and colour	Black Painted Steel (RAL 7035)
Ambient temperature range	5 – 45 °C
Lamp cable	2,5 m
Power supply cable	1 m
Monitor display	LCD
Resettable hour meter	Yes for lamp life control
Lamp function control	Yes
Free contact (NO - NC)	Yes – general alarm (max 2 A)
230 V output (NO - NC)	Yes – general alarm (max 2 A)
Remote ON/OFF contact	Yes (settable)
ON/OFF Timer	Yes (settable)
Reactor temperature measurement and alarm	Yes (°C) – settable value (shut off for high temperature)
UV Irradiance measurement and alarm	Yes (% or W/m <sup>2</sup> optional) – settable value
4/20 mA output	Optional – for irradiance and water temperature

# Industrial U.V. Sterilizers in AISI 316L 200 W Series



REF.	REACTOR VOLUME (liters)	REACTOR WEIGHT (kg)	A IN-OUT	B (mm)	C (mm)	D (mm)	E (mm)	F (mm)	G (mm)
HA844	50	31	DN100	1200	1321	210	500	400	250
HA846	47	37	DN150	1175	1321	210	750	400	250
HA848	70	48	DN150	1200	1346	235	750	400	250



UV SENSOR	
Type	UVC selective sensor Mod. UV737
Sensor Cable	Shielded cable 4 meters
Sensor holder material	Stainless steel 316L

CONTROL PANEL	TOUCH SCREEN
Material and colour	Black Painted Steel (RAL 7035)
Ambient temperature range	5 – 45 °C
Lamp cable	4 m
Monitor display	TOUCH SCREEN (65.000 colors)
Multi language display	IT-EN-FR-ES
Hour meter	For total system life – Resettable for lamp life control
Lamps control on/off	Yes
Free contact alarms (N/O)	Yes (max 1.3 A)
Remote ON/OFF	Yes (settable contact working)
ON/OFF timer	Yes
Chamber temperature measurement and alarm	Yes (°C) (shut off for high temperature)
UV irradiance measurement and alarm	Yes (% or W/m <sup>2</sup> )
4/20 mA output	Yes for irradiance and temperature

# Industrial Flanged Multilamp U.V. Sterilizers in AISI 316L 400 W Series



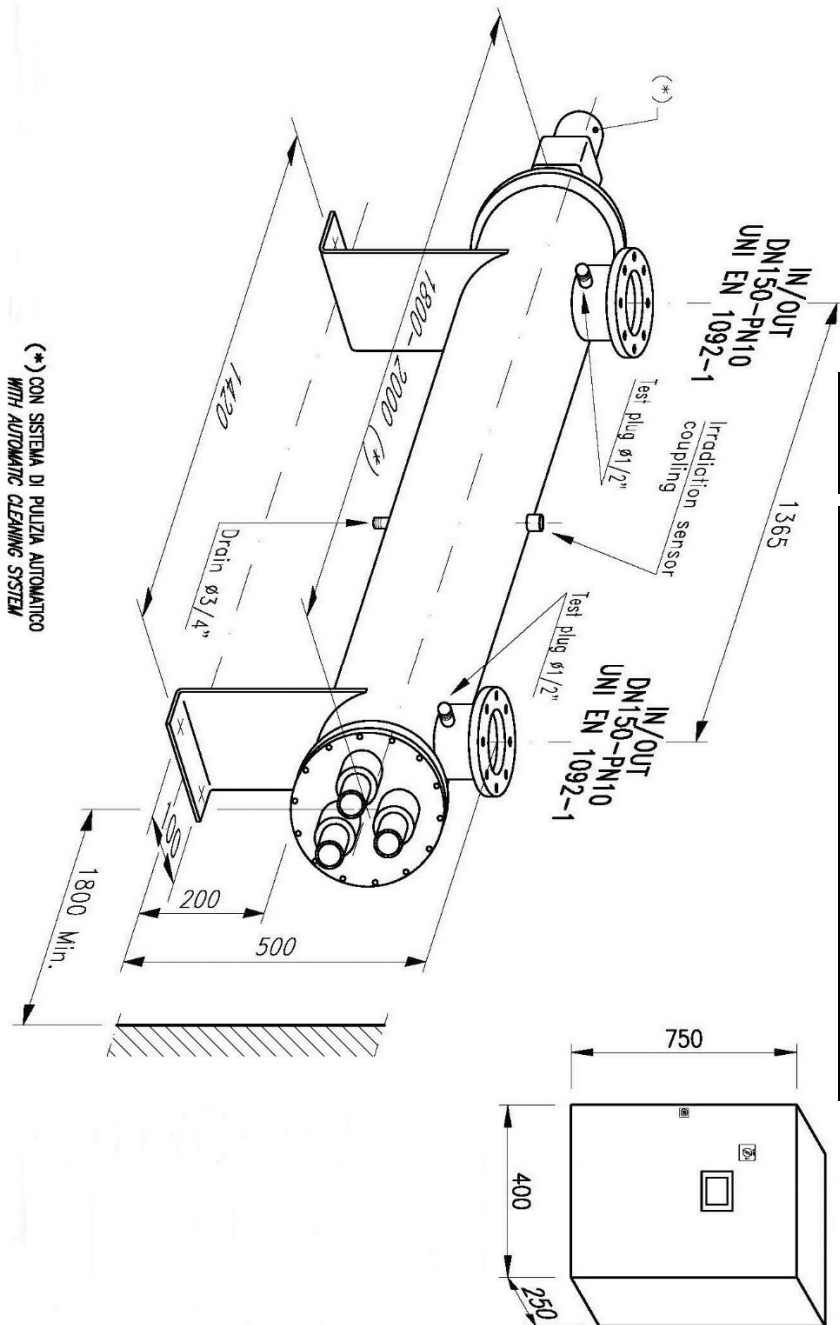
- Made in European Union (Italy);
  - To be used for industrial water disinfection systems;
  - Multi-lamp systems with single lamp 400 W;
  - With reactor in AISI 316L, with sensor;
  - Electric box with electronic circuit, connection cable, operating time meter and switch;
  - Operating and failure led;
  - Conform with CE safety Directives and D.M. n.174 dated 06/04/2004 compliant about materials suitable for contact with water for human consumption;
  - Available on request with UL certificate (for USA and Canada);
  - WRAS approved products (for UK);
  - Conform with EAC certificate for Russia and near-by Countries;
  - Conform with Polish Quality Certification for Poland;
  - Conform with a Norwegian certification of National Veterinary Institute, which gives the leading rules applied world wide in the sector of the fish farm;
  - With lamp quartz sheath;
  - Max operating pressure 10 bar;
  - Temperature: 5 ÷ 50°C;
  - UVC transmittance 97% - 1cm, UVC dose 400 J/m<sup>2</sup> ;
  - Power supply 230 V – 50/60 Hz and life span of lamp 16.000 hours;
  - Reactor protection class IP65;
  - Control panel protection class IP54;
  - Possibility of connection with shut down solenoid valve;
  - Optional alarm system;
  - Horizontal mounting and flow both directions;
  - Automatic cleaning systems.
- (\*) not available in stock.

REF.	MAX FLOW RATE (m <sup>3</sup> /h)	TOTAL CONSUMPTION (W)	No. LAMPS	LAMP POWER (W)	IN/OUT CONNECTIONS	
HA860A (*)	150	1.300	3	400	DN150	
HA862A (*)	250	1.760	4	400	DN200	
HA864A (*)	300	2.180	5	400	DN200	
HA866A (*)	420	2.650	6	400	DN250	
HA868A (*)	600	3.500	8	400	DN250	
HA870A (*)	830	4.400	10	400	DN300	
HA872A (*)	980	5.300	10	400	DN350	

# Industrial Flanged Multilamp U.V. Sterilizers in AISI 316L 400 W Series



REF.	REACTOR VOLUME (liters)	REACTOR WEIGHT (kg)	IN-OUT
HA860A	56	50	DN150

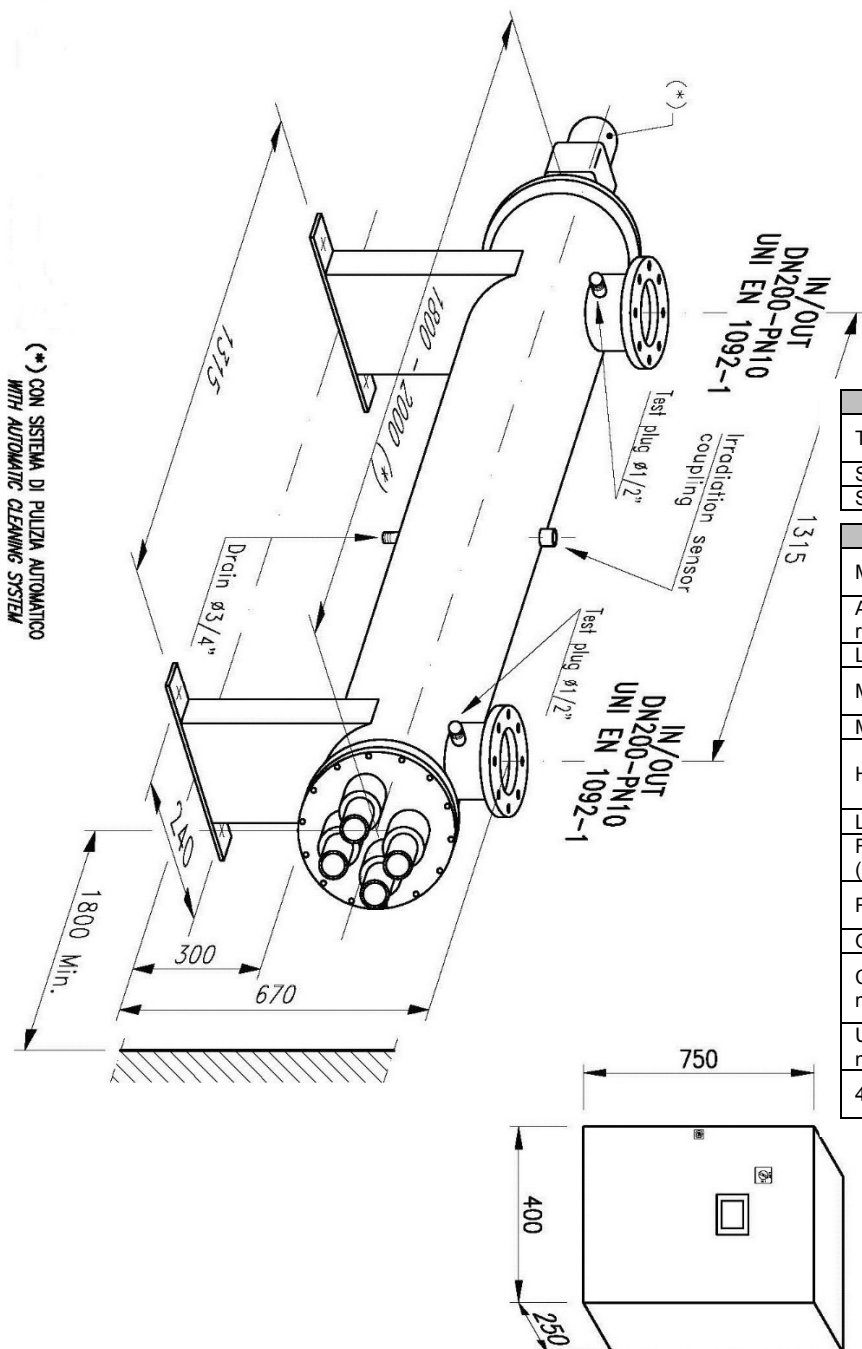


UV SENSOR	
Type	UVC selective sensor Mod. UV737
Sensor Cable	Shielded cable 4 meters
Sensor holder material	Stainless steel 316L
CONTROL PANEL	TOUCH SCREEN
Material and colour	Black Painted Steel (RAL 7035)
Ambient temperature range	5 – 45 °C
Lamp cable	4 m
Monitor display	TOUCH SCREEN (65.000 colors)
Multi language display	IT-EN-FR-ES
Hour meter	For total system life – Resettable for lamp life control
Lamps control on/off	Yes
Free contact alarms (N/O)	Yes (max 1.3 A)
Remote ON/OFF	Yes (settable contact working)
ON/OFF timer	Yes
Chamber temperature measurement and alarm	Yes (°C) (shut off for high temperature)
UV irradiance measurement and alarm	Yes (% or W/m <sup>2</sup> )
4/20 mA output	Yes for irradiance and temperature

# Industrial Flanged Multilamp U.V. Sterilizers in AISI 316L 400 W Series



REF.	REACTOR VOLUME (liters)	REACTOR WEIGHT (kg)	IN-OUT
HA862A	82	80	DN200



(\*\*) CON SISTEMA DI PULIZIA AUTOMATICO  
WITH AUTOMATIC CLEANING SYSTEM

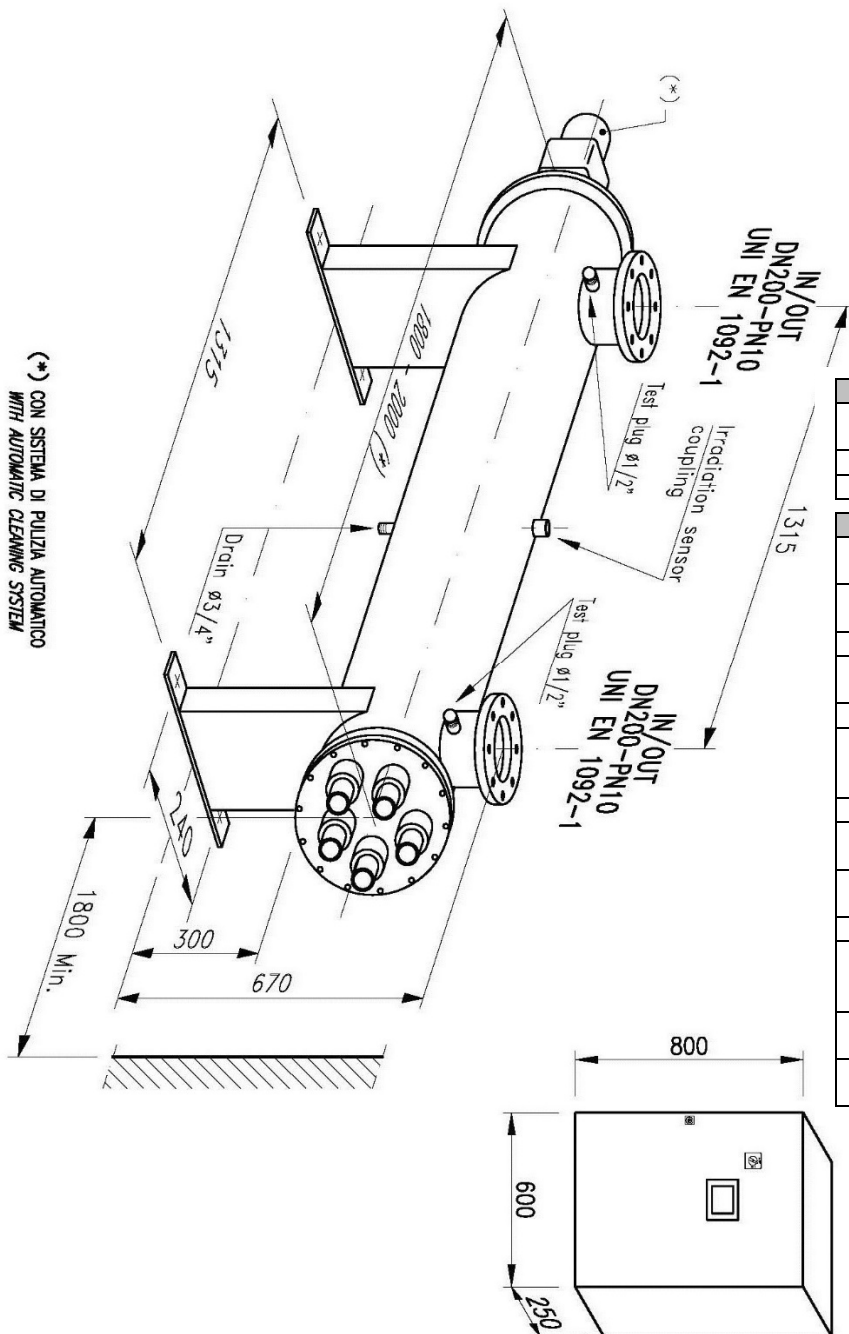
UV SENSOR	
Type	UVC selective sensor Mod. UV737
Sensor Cable	Shielded cable 4 meters
Sensor holder material	Stainless steel 316L

CONTROL PANEL	TOUCH SCREEN
Material and colour	Black Painted Steel (RAL 7035)
Ambient temperature range	5 – 45 °C
Lamp cable	4 m
Monitor display	TOUCH SCREEN (65.000 colors)
Multi language display	IT-EN-FR-ES
Hour meter	For total system life – Resettable for lamp life control
Lamps control on/off	Yes
Free contact alarms (N/O)	Yes (max 1.3 A)
Remote ON/OFF	Yes (settable contact working)
ON/OFF timer	Yes
Chamber temperature measurement and alarm	Yes (°C) (shut off for high temperature)
UV irradiance measurement and alarm	Yes (% or W/m <sup>2</sup> )
4/20 mA output	Yes for irradiance and temperature

# Industrial Flanged Multilamp U.V. Sterilizers in AISI 316L 400 W Series



REF.	REACTOR VOLUME (liters)	REACTOR WEIGHT (kg)	IN-OUT
HA864A	87	100	DN200



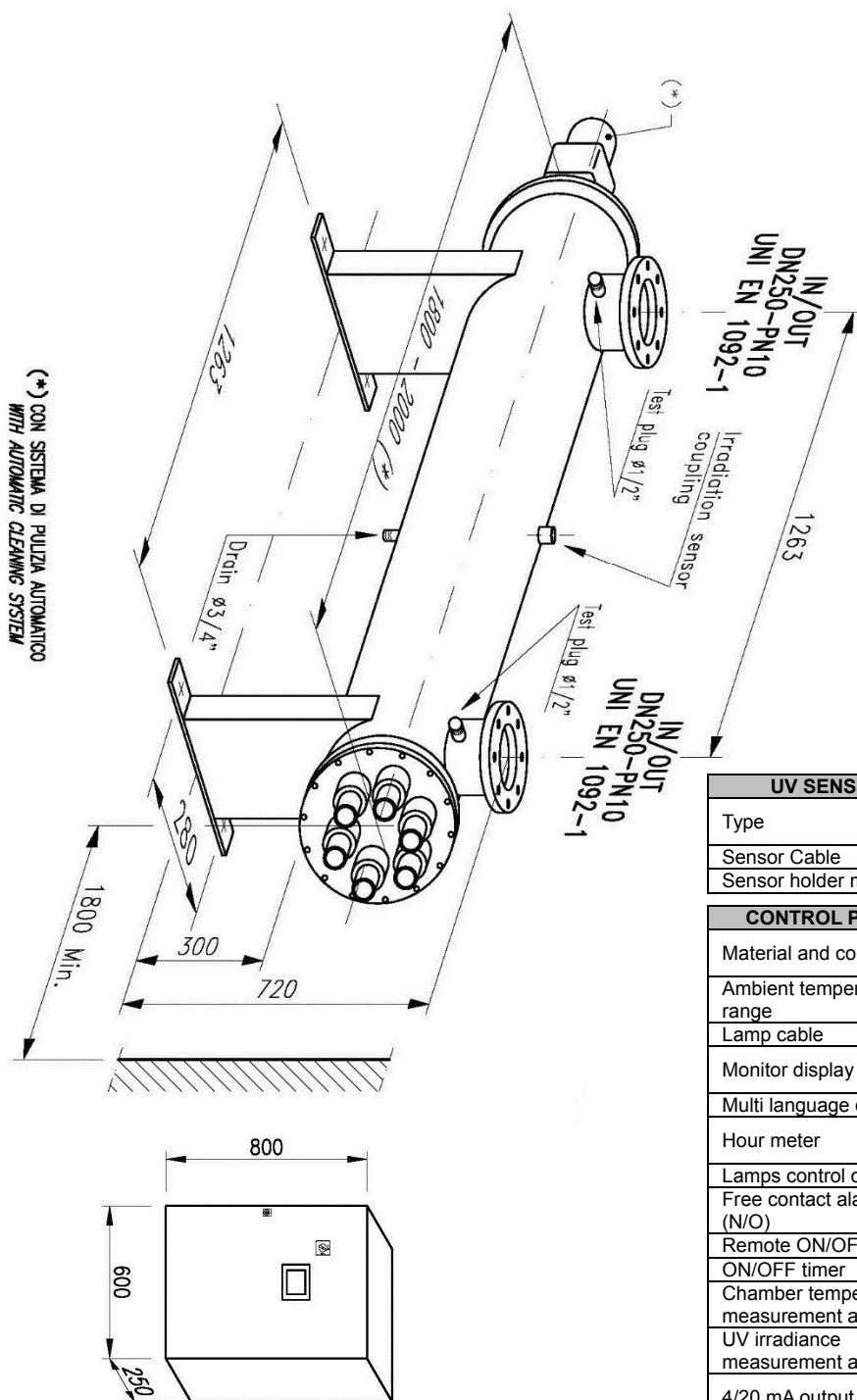
(\*) CON SISTEMA DI PULIZIA AUTOMATICO  
WITH AUTOMATIC CLEANING SYSTEM

UV SENSOR	
Type	UVC selective sensor Mod. UV737
Sensor Cable	Shielded cable 4 meters
Sensor holder material	Stainless steel 316L
CONTROL PANEL	
TOUCH SCREEN	
Material and colour	Black Painted Steel (RAL 7035)
Ambient temperature range	5 – 45 °C
Lamp cable	4 m
Monitor display	TOUCH SCREEN (65.000 colors)
Multi language display	IT-EN-FR-ES
Hour meter	For total system life – Resettable for lamp life control
Lamps control on/off	Yes
Free contact alarms (N/O)	Yes (max 1.3 A)
Remote ON/OFF	Yes (settable contact working)
ON/OFF timer	Yes
Chamber temperature measurement and alarm	Yes (°C) (shut off for high temperature)
UV irradiance measurement and alarm	Yes (% or W/m <sup>2</sup> )
4/20 mA output	Yes for irradiance and temperature

# Industrial Flanged Multilamp U.V. Sterilizers in AISI 316L 400 W Series



REF.	REACTOR VOLUME (liters)	REACTOR WEIGHT (kg)	IN-OUT
HA866A	126	110	DN250



UV SENSOR	
Type	UVC selective sensor Mod. UV737
Sensor Cable	Shielded cable 4 meters
Sensor holder material	Stainless steel 316L

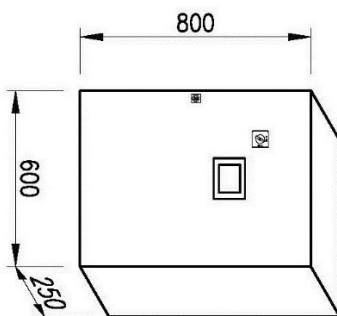
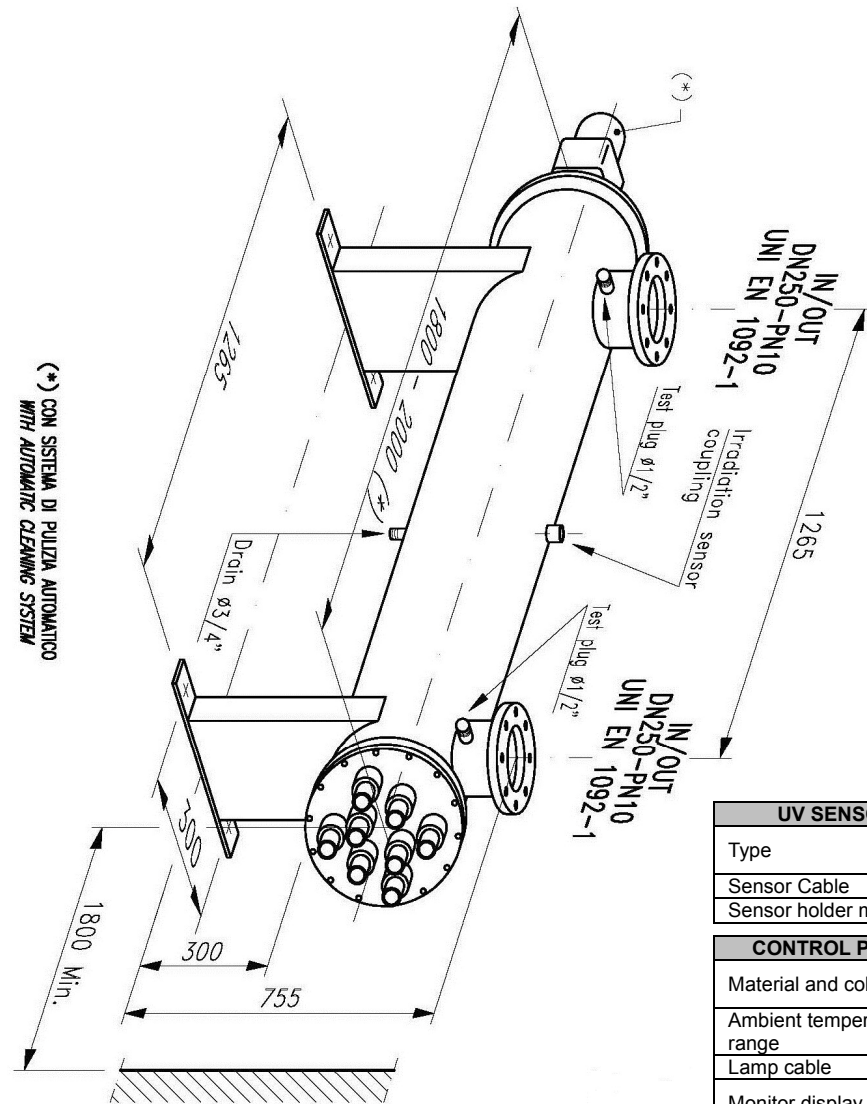
CONTROL PANEL	TOUCH SCREEN
Material and colour	Black Painted Steel (RAL 7035)
Ambient temperature range	5 – 45 °C
Lamp cable	4 m
Monitor display	TOUCH SCREEN (65.000 colors)
Multi language display	IT-EN-FR-ES
Hour meter	For total system life – Resettable for lamp life control
Lamps control on/off	Yes
Free contact alarms (N/O)	Yes (max 1.3 A)
Remote ON/OFF	Yes (settable contact working)
ON/OFF timer	Yes
Chamber temperature measurement and alarm	Yes (°C) (shut off for high temperature)
UV irradiance measurement and alarm	Yes (% or W/m <sup>2</sup> )
4/20 mA output	Yes for irradiance and temperature



# Industrial Flanged Multilamp U.V. Sterilizers in AISI 316L 400 W Series



REF.	REACTOR VOLUME (liters)	REACTOR WEIGHT (kg)	IN-OUT
HA868A	150	125	DN250



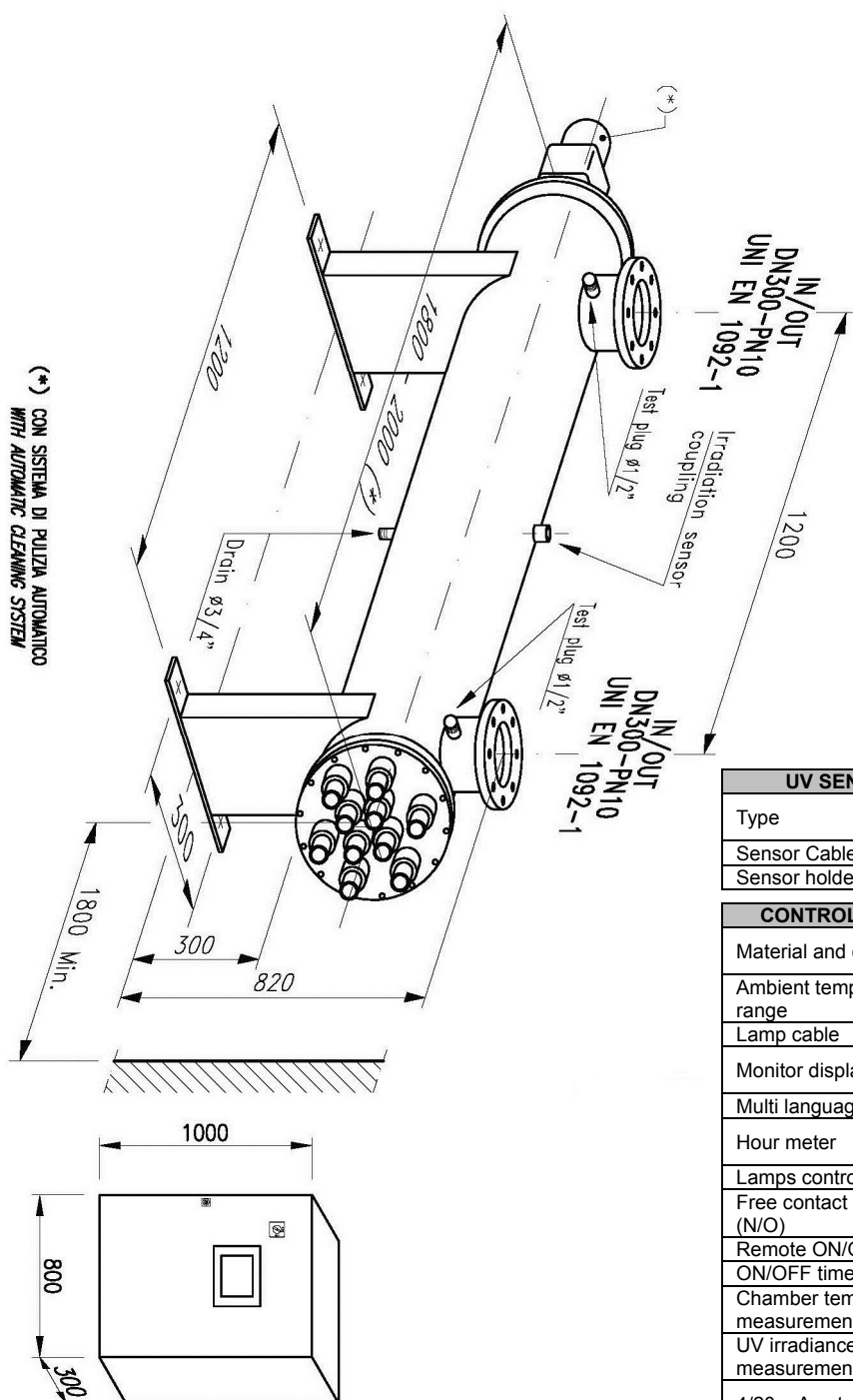
UV SENSOR	
Type	UVC selective sensor Mod. UV737
Sensor Cable	Shielded cable 4 meters
Sensor holder material	Stainless steel 316L

CONTROL PANEL	TOUCH SCREEN
Material and colour	Black Painted Steel (RAL 7035)
Ambient temperature range	5 - 45 °C
Lamp cable	4 m
Monitor display	TOUCH SCREEN (65.000 colors)
Multi language display	IT-EN-FR-ES
Hour meter	For total system life - Resettable for lamp life control
Lamps control on/off	Yes
Free contact alarms (N/O)	Yes (max 1.3 A)
Remote ON/OFF	Yes (settable contact working)
ON/OFF timer	Yes
Chamber temperature measurement and alarm	Yes (°C) (shut off for high temperature)
UV irradiance measurement and alarm	Yes (% or W/m <sup>2</sup> )
4/20 mA output	Yes for irradiance and temperature

# Industrial Flanged Multilamp U.V. Sterilizers in AISI 316L 400 W Series



REF.	REACTOR VOLUME (liters)	REACTOR WEIGHT (kg)	IN-OUT
HA870A	197	175	DN300



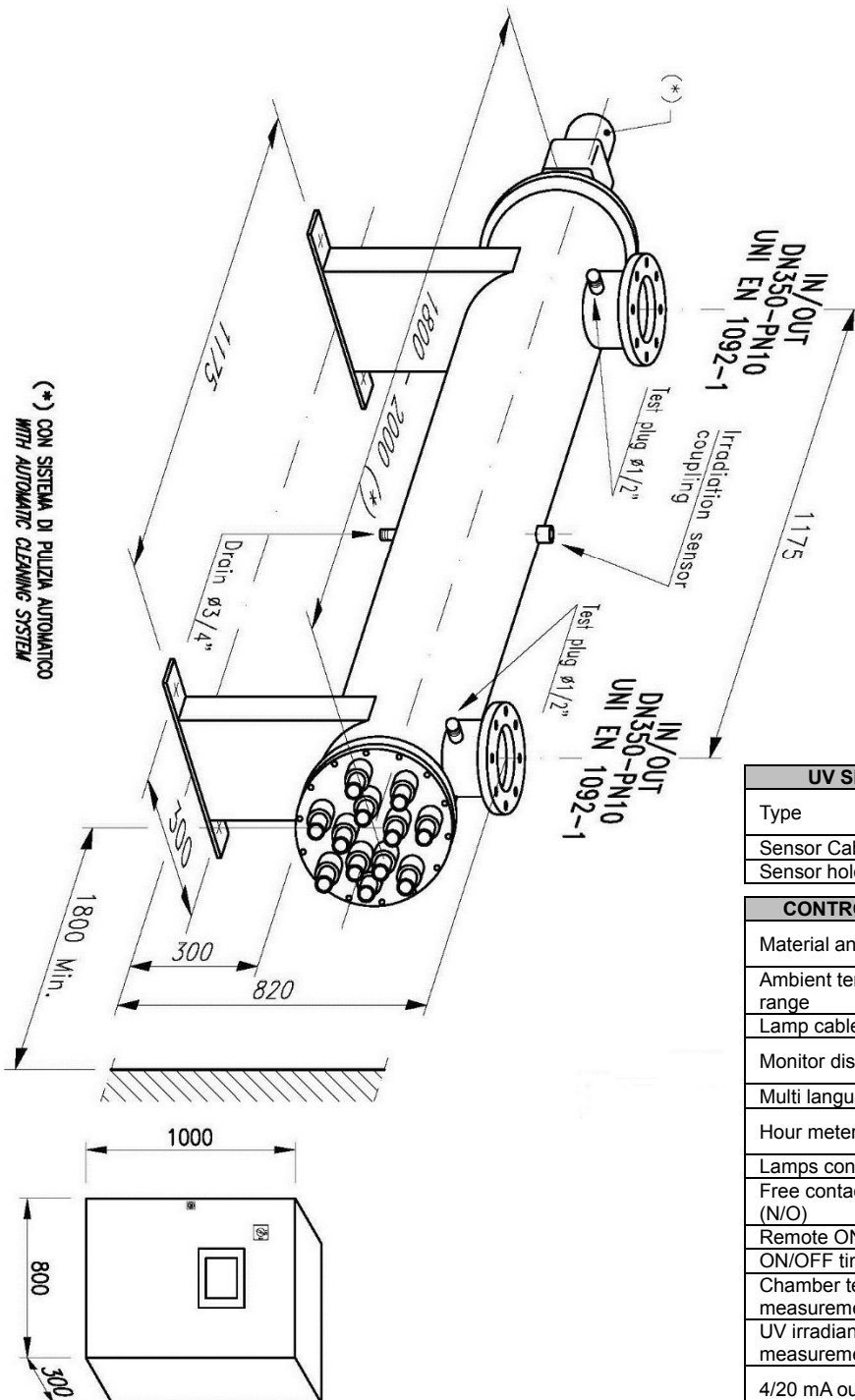
UV SENSOR	
Type	UVC selective sensor Mod. UV737
Sensor Cable	Shielded cable 4 meters
Sensor holder material	Stainless steel 316L

CONTROL PANEL	TOUCH SCREEN
Material and colour	Black Painted Steel (RAL 7035)
Ambient temperature range	5 - 45 °C
Lamp cable	4 m
Monitor display	TOUCH SCREEN (65.000 colors)
Multi language display	IT-EN-FR-ES
Hour meter	For total system life - Resettable for lamp life control
Lamps control on/off	Yes
Free contact alarms (N/O)	Yes (max 1.3 A)
Remote ON/OFF	Yes (settable contact working)
ON/OFF timer	Yes
Chamber temperature measurement and alarm	Yes (°C) (shut off for high temperature)
UV irradiance measurement and alarm	Yes (% or W/m <sup>2</sup> )
4/20 mA output	Yes for irradiance and temperature

# Industrial Flanged Multilamp U.V. Sterilizers in AISI 316L 400 W Series



REF.	REACTOR VOLUME (liters)	REACTOR WEIGHT (kg)	IN-OUT
HA872A	197	200	DN350



UV SENSOR	
Type	UVC selective sensor Mod. UV737
Sensor Cable	Shielded cable 4 meters
Sensor holder material	Stainless steel 316L

CONTROL PANEL	TOUCH SCREEN
Material and colour	Black Painted Steel (RAL 7035)
Ambient temperature range	5 – 45 °C
Lamp cable	4 m
Monitor display	TOUCH SCREEN (65.000 colors)
Multi language display	IT-EN-FR-ES
Hour meter	For total system life – Resettable for lamp life control
Lamps control on/off	Yes
Free contact alarms (N/O)	Yes (max 1.3 A)
Remote ON/OFF	Yes (settable contact working)
ON/OFF timer	Yes
Chamber temperature measurement and alarm	Yes (°C) (shut off for high temperature)
UV irradiance measurement and alarm	Yes (% or W/m <sup>2</sup> )
4/20 mA output	Yes for irradiance and temperature

