

**EUROTROL**®  
WATER TREATMENT COMPONENTS



**AUTOTROL, CLACK,  
FLECK, RUNXIN**  
Valves, controllers  
and accessories



## Autotrol Residential Valves Series 368



- For automatic and residential water softening systems;
- Valve body in NSF listed Noryl plastic material;
- Valve rubber compounded for cold water, NSF listed material;
- Operating flow rate  $K_v = 3,68$ ;
- Backwash flow rate = 10 lpm @  $\Delta p$  1,72 bar;
- Resin volume range = 5 ÷ 25 litres;
- Available with the following controllers:
- 604 electronic chronometric; 606 electronic volumetric;
- With European transformer 12/230V - 50Hz;
- Accessories (e.g. upper screen, etc.) not included;
- Programmable chronometric regeneration (calendar override) and consumption statistical data memory.



| Ref   | Description  | Fam. | Subfam. | Disp. Stock |  |
|-------|--|------|---------|-------------|--|
| AB300 | VAL.368/604 3/4" M REFILL.14 INJ E DLFC 0.9 GPM 12/230V 50HZ EURO PLUG   | 10   | 26      | •           |  |
| AB301 | VAL.368/604 3/4" M REFILL.14 INJ F DLFC 1.20 GPM 12/230V 50HZ EURO PLUG  | 10   | 26      | •           |  |
| AB302 | VAL.368/604 3/4" M REFILL.14 INJ G DLFC 1.60 GPM 12/230V 50HZ EURO PLUG  | 10   | 26      | •           |  |
| AB303 | VAL.368/604 3/4" M REFILL.14 INJ H DLFC 2.00 GPM 12/230V 50HZ EURO PLUG  | 10   | 26      | •           |  |
| AB400 | VAL.368/606 3/4" M REFILL.14 INJ E DLFC 0.9 GPM 12/230V 50HZ EURO PLUG   | 10   | 27      | •           |  |
| AB401 | VAL.368/606 3/4" M REFILL.14 INJ F DLFC 1.20 GPM 12/230V 50HZ EURO PLUG  | 10   | 27      | •           |  |
| AB402 | VAL.368/606 3/4" M REFILL.14 INJ G DLFC 1.60 GPM 12/230V 50HZ EURO PLUG  | 10   | 27      | •           |  |
| AB403 | VAL.368/606 3/4" M REFILL.14 INJ H DLFC 2.00 GPM 12/230V 50HZ EURO PLUG  | 10   | 27      | •           |  |
| AB500 | VAL.368/606 3/4" M REF.14 INJ E DLFC 0.9 GPM 12/230V 50HZ EUR P+ BYPASS  | 10   | 28      | •           |  |
| AB501 | VAL.368/606 3/4" M REF.14 INJ F DLFC 1.20 GPM 12/230V 50HZ EUR P+ BYPASS | 10   | 28      | •           |  |
| AB502 | VAL.368/606 3/4" M REF.14 INJ G DLFC 1.60 GPM 12/230V 50HZ EUR P+ BYPASS | 10   | 28      | •           |  |
| AB503 | VAL.368/606 3/4" M REF.14 INJ H DLFC 2.00 GPM 12/230V 50HZ EUR P+ BYPASS | 10   | 28      | •           |  |

| Characteristics:                              |                           |
|---|---------------------------|
| Pressure vessel connection                    | Threaded 2 1/2" 8 UN male |
| Brine line connection                         | Threaded 3/8" BSPT male   |
| Distributor tube O. D. diameter               | 1,05" (= 27 mm)           |
| Distributor tube length above pressure vessel | ± 1/2" (= ± 13 mm)        |
| Weight (valve + controller)                   | 1,7 kg                    |
| Operating pressure                            | 1,38 ÷ 8,27 bar           |
| Water temperature                             | 2°C ÷ 38°C                |

| Box: WxLxH | Box: Q.ty | Box: Weight | Pallet: WxLxH | Pallet: Q.ty | Pallet: Weight |
|------------|-----------|-------------|---------------|--------------|----------------|
| 28x80x35   | 4         | 11,4        | 120x80x225    | 96           | 29,0           |

| Certificates           | Manufacturer | Sectors              |
|------------------------|--------------|----------------------|
| DM174-2004 ACS CE, EAC | Pentair      | Domestic, Commercial |



## Autotrol Residential Valves Series 255 with 460 tc Controller

- For automatic and residential water softening systems;
- valve body in NSF listed Noryl plastic material;
- valve rubber compounded for cold water, NSF listed material;
- operating flow rate Kv = 3,4;
- backwash flow rate = 22,7 lpm @ Δp 1,72 bar;
- resin volume range = 5 ÷ 75 litres;
- available with series 400 controller;
- 460tc electronic chronometric;
- with European transformer 12/230V - 50Hz;
- adapters and manifold kit not included, to order separately;
- accessories (e.g. upper screen, etc.) not included.



| Ref   | Description                                  | Fam. | Subfam. | Disp. Stock |
|-------|--|------|---------|-------------|
| AA310 | VALV. 255/460tc 59' A-A 07 12/220V 50HZ SYM  | 10   | 5       | •           |
| AA311 | VALV. 255/460tc 59' A-A 08 12/220V 50HZ SYM  | 10   | 5       | •           |
| AA313 | VALV. 255/460tc 118' A-A 08 12/220V 50HZ SYM | 10   | 5       | •           |
| AA315 | VALV. 255/460tc 118' B-B 10 12/220V 50HZ SYM | 10   | 5       | •           |

| Characteristics :                             |                         |
|---|-------------------------|
| Pressure vessel connection                    | Threaded 2 ½" 8 UN male |
| Brine line connection                         | Threaded ¼" NPT male    |
| Distributor tube O. D. diameter               | 1,05" (= 27 mm)         |
| Distributor tube length above pressure vessel | 29 ± 3 mm               |
| Weight (valve + controller)                   | 1,8 kg                  |
| Operating pressure                            | 1,38 ÷ 8,27 bar         |
| Water temperature                             | 2°C ÷ 38°C              |

| Box: WxLxH | Box: Q.ty | Box: Weight | Pallet: WxLxH | Pallet: Q.ty | Pallet: Weight |
|------------|-----------|-------------|---------------|--------------|----------------|
|            | 4         |             |               |              |                |

| Certificates           | Manufacturer | Sectors  |
|------------------------|--------------|----------|
| DM174-2004 ACS CE, EAC | Pentair      | Domestic |



## Autotrol Residential Valves Series 255 with Series Logix Controller

- For automatic and residential water softening systems;
- valve body in NSF listed Noryl plastic material;
- valve rubber compounded for cold water, NSF listed material; operating flow rate Kv = 3,4;
- backwash flow rate = 22,7 lpm @ Δp 1,72 bar;
- resin volume range = 5 ÷ 75 litres;
- available with series LOGIX controller:
- 740 C electronic chronometric;
- 760 C electronic volumetric;
- 742 C electronic chronometric programmable;
- 762 C electronic volumetric programmable;
- with European transformer 12/230V - 50Hz;
- adapters and manifold kit not included, to order sep arately;
- accessories (e.g. upper screen, etc.) not included.



| Ref     | Description  | Fam. | Subfam. | Disp. Stock |  |
|---------|--|------|---------|-------------|--|
| AA203E  | VALV. 255/740C BW 07 INJ F SYMBOL 12/230V 50HZ EURO PLUG | 10   | 6       | •           |  |
| AA212E  | VALV. 255/740C BW 10 INJ J SYMBOL 12/230V 50HZ EURO PLUG | 10   | 6       | •           |  |
| AA212EE | VALV. 255/740C BW 10 INJ J SYMBOL 12/230V 50HZ ENG. PLUG | 10   | 6       | •           |  |
| AA101E  | VALV. 255/742C .33 F 07 SYMBOL 12/230V 50HZ EURO PLUG    | 10   | 7       | •           |  |
| AA104E  | VALV. 255/742C .33 J 10 SYMBOL 12/230V 50HZ EURO PLUG    | 10   | 7       | •           |  |
| AC203E  | VALV. 255/760C BW 07 INJ F SYMBOL 12/230V 50HZ EURO PLUG | 10   | 16      | •           |  |
| AC206E  | VALV. 255/760C BW 08 INJ G SYMBOL 12/230V 50HZ EURO PLUG | 10   | 16      | •           |  |
| AC209E  | VALV. 255/760C BW 09 INJ H SYMBOL 12/230V 50HZ EURO PLUG | 10   | 16      | •           |  |
| AC212E  | VALV. 255/760C BW 10 INJ J SYMBOL 12/230V 50HZ EURO PLUG | 10   | 16      | •           |  |
| AC212EE | VALV. 255/760C BW 10 INJ J SYMBOL 12/230V 50HZ ENG. PLUG | 10   | 16      | •           |  |
| AC215E  | VALV. 255/760C BW 12 INJ K SYMBOL 12/230V 50HZ EURO PLUG | 10   | 16      | •           |  |
| AC218E  | VALV. 255/760C BW 13 INJ L SYMBOL 12/230V 50HZ EURO PLUG | 10   | 16      | •           |  |
| AC221E  | VALV. 255/760C BW 14 INJ L SYMBOL 12/230V 50HZ EURO PLUG | 10   | 16      | •           |  |
| AC101E  | VALV. 255/762C .33 F 07 SYMBOL 12/230V 50HZ EURO PLUG    | 10   | 17      | •           |  |
| AC102E  | VALV. 255/762C .33 G 08 SYMBOL 12/230V 50HZ EURO PLUG    | 10   | 17      | •           |  |
| AC104E  | VALV. 255/762C .33 J 10 SYMBOL 12/230V 50HZ EURO PLUG    | 10   | 17      | •           |  |
| AC105E  | VALV. 255/762C .33 K 12 SYMBOL 12/230V 50HZ EURO PLUG    | 10   | 17      | •           |  |
| AC106E  | VALV. 255/762C .33 L 13 SYMBOL 12/230V 50HZ EURO PLUG    | 10   | 17      | •           |  |

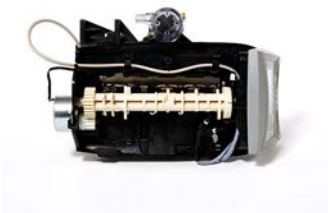
| Characteristics :                             |                         |
|---|-------------------------|
| Pressure vessel connection                    | Threaded 2 ½" 8 UN male |
| Brine line connection                         | Threaded ¼" NPT male    |
| Distributor tube O. D. diameter               | 1,05" (= 27 mm)         |
| Distributor tube length above pressure vessel | 29 ± 3 mm               |
| Weight (valve + controller)                   | 1,8 kg                  |
| Operating pressure                            | 1,38 ÷ 8,27 bar         |
| Water temperature                             | 2°C ÷ 38°C              |

| Box: WxLxH | Box: Q.ty | Box: Weight | Pallet: WxLxH | Pallet: Q.ty | Pallet: Weight |
|------------|-----------|-------------|---------------|--------------|----------------|
| 40x55x50   | 4         | 14,3        | 120x80x210    | 64           | 245            |

| Certificates             | Manufacturer | Sectors  |
|--------------------------|--------------|----------|
| DM174-2004, ACS, CE, EAC | Pentair      | Domestic |



## Residential Duplex Systems with Autotrol Valves Series 255 Twin and 764 Controller



- For automatic and residential / commercial water softening systems;
- For twin alternating and twin parallel systems;
- consisting of n.2 valves (one "main" and another one "secondary") with 764 electronic volumetric;
- with European transformer 12/230V - 50Hz;
- valve body in NSF listed Noryl plastic material;
- valve rubber compounded for cold water, NSF listed material;
- operating flow rate for each tank  $K_v = 3,4$ ;
- backwash flow rate for each tank = 22,7 lpm @  $\Delta p$  1,72 bar;
- resin volume range for each tank = 5 ÷ 75 litres;
- interconnection kit (REF. AV119) and accessories (e.g. upper screen, etc.) not included, to order separately.

| Ref    | Description  | Fam. | Subfam. | Disp. Stock |  |
|--------|--|------|---------|-------------|--|
| AF054E | VALV. 255/764 TWIN BW 10 INJ J SYMBOL 12/230V 50HZ EURO PLUG | 10   | 30      | •           |  |
| AF056E | VALV. 255/764 TWIN BW 13 INJ L SYMBOL 12/230V 50HZ EURO PLUG | 10   | 30      | •           |  |

| Characteristics:                              |   |
|---|---|
| Pressure vessel connection                    | Threaded 2 ½" 8 UN male                           |
| Drain line connection                         | Threaded ½" male, included in interconnection kit |
| Brine line connection                         | Threaded ¼" NPT male                              |
| Distributor tube O. D. diameter               | 1,05" (= 27 mm)                                   |
| Distributor tube length above pressure vessel | 29 ± 3 mm   |
| Weight (valve + controller)                   | 1,8 kg  |
| Operating pressure                            | 1,38 ÷ 8,27 bar                                   |
| Water temperature                             | 2°C ÷ 38°C  |

| Box: WxLxH | Box: Q.ty | Box: Weight | Pallet: WxLxH | Pallet: Q.ty | Pallet: Weight |
|------------|-----------|-------------|---------------|--------------|----------------|
|            | 2         |             |               |              |                |

| Certificates             | Manufacturer | Sectors  |
|--------------------------|--------------|----------|
| DM174-2004, ACS, CE, EAC | Pentair      | Domestic |



## Autotrol Residential Valves Series 263 with 460tc Controller

- For automatic and residential water filtration systems;
- with 460tc electronic chronometric controller;
- valve body in NSF listed Noryl plastic material;
- valve rubber compounded for cold water, NSF listed material;
- operating flow rate Kv = 5,6;
- backwash flow rate = 75,7 lpm @ Δp 1,72 bar;
- with European transformer 12/230V - 50Hz;
- adapters and manifold kit not included, to order separately;
- accessories (ex. upper screen, etc.) not included.



| Ref   | Description                                | Fam. | Subfam. | Disp. Stock |  |
|-------|--|------|---------|-------------|--|
| AL060 | VALV. 263/460tc 118' BW 12 - 12V.50 HZ SYM | 10   | 45      | •           |  |

| Characteristics :                             |                         |
|---|-------------------------|
| Pressure vessel connection                    | Threaded 2 ½" 8 UN male |
| Drain line connection                         | Threaded ¾" NPT, male   |
| Brine line connection                         | Threaded ¾" NPT, male   |
| Distributor tube O. D. diameter               | 1,05" (= 27 mm)         |
| Distributor tube length above pressure vessel | 29 ± 3 mm               |
| Weight (valve + controller)                   | 2,00 kg                 |
| Operating pressure                            | 1,38 ÷ 8,27 bar         |
| Water temperature                             | 2°C ÷ 38°C              |

| Box: WxLxH | Box: Q.ty | Box: Weight | Pallet: WxLxH | Pallet: Q.ty | Pallet: Weight |
|------------|-----------|-------------|---------------|--------------|----------------|
|            | 4         |             |               |              |                |

| Certificates             | Manufacturer | Sectors  |
|--------------------------|--------------|----------|
| DM174-2004, ACS, CE, EAC | Pentair      | Domestic |



## Autotrol Residential Valves Series 268 with Series Logix Controller



- For automatic and residential water softening systems;
- valve body in NSF listed Noryl plastic material;
- valve rubber compounded for cold water, NSF listed material;
- operating flow rate  $K_v = 5,6$ ;
- backwash flow rate = 75,7 lpm @  $\Delta p$  1,72 bar;
- resin volume range = 30 ÷ 125 litres;
- available with series LOGIX controller:
- 740 C electronic chronometric;
- 760 C electronic volumetric;
- 742 C electronic chronometric programmable;
- 762 C electronic volumetric programmable;
- with European transformer 12/230V - 50Hz;
- adapters and manifold kit not included, to order separately;
- accessories (e.g. upper screen, etc.) not included.

| Ref    | Description  | Fam. | Subfam. | Disp. Stock |  |
|--------|--|------|---------|-------------|--|
| AM218E | VALV. 268/740C BW 13 INJ L SYMBOL 12/230V 50HZ EURO PLUG | 10   | 47      | •           |  |
| AM061E | VALV. 268/742C .33 J 10 SYMBOL 12/230V 50HZ EURO PLUG    | 10   | 46      | •           |  |
| AM062E | VALV. 268/742C .33 K 12 SYMBOL 12/230V 50HZ EURO PLUG    | 10   | 46      | •           |  |
| AP221E | VALV. 268/760C BW 14 INJ L SYMBOL 12/230V 50HZ EURO PLUG | 10   | 49      | •           |  |
| AP042E | VALV. 268/762C .33 K 12 SYMBOL 12/230V 50HZ EURO PLUG    | 10   | 51      | •           |  |
| AP044E | VALV. 268/762C .33 L 14 SYMBOL 12/230V 50HZ EURO PLUG    | 10   | 51      | •           |  |

| Characteristics:                              |                         |
|---|-------------------------|
| Pressure vessel connection                    | Threaded 2 ½" 8 UN male |
| Drain line connection                         | Threaded ¾" NPT, male   |
| Brine line connection                         | Threaded ⅝" NPT, male   |
| Distributor tube O. D. diameter               | 1,05" (= 27 mm)         |
| Distributor tube length above pressure vessel | ½" ± ½" (= 13 ± 13 mm)  |
| Weight (valve + controller)                   | 2,42 kg                 |
| Operating pressure                            | 1,38 ÷ 8,27 bar         |
| Water temperature                             | 2°C ÷ 38°C              |

| Box: WxLxH | Box: Q.ty | Box: Weight | Pallet: WxLxH | Pallet: Q.ty | Pallet: Weight |
|------------|-----------|-------------|---------------|--------------|----------------|
|            | 4         |             |               |              |                |

| Certificates             | Manufacturer | Sectors  |
|--------------------------|--------------|----------|
| DM174-2004, ACS, CE, EAC | Pentair      | Domestic |





## Autotrol Residential Valves Series 263 with Series Logix Controller

- For automatic and residential water filtration systems;
- valve body in NSF listed Noryl plastic material;
- valve rubber compounded for cold water, NSF listed material;
- operating flow rate  $K_v = 5,6$ ;
- backwash flow rate = 75,7 lpm @  $\Delta p$  1,72 bar;
- available with series LOGIX controller:
- 740 F electronic chronometric;
- 760 F electronic volumetric;
- 742 F electronic chronometric programmable;
- 762 F electronic volumetric programmable;
- with European transformer 12/230V - 50Hz;
- adapters and manifold kit not included, to order separately;
- accessories (e.g. upper screen, etc.) not included.



| Ref       | Description  | Fam. | Subfam. | Disp. Stock |  |
|-----------|--|------|---------|-------------|--|
| AL209E    | VALV. 263/740F BW 13 INJ H SYMBOL 12/230V 50HZ EURO PLUG | 10   | 43      | •           |  |
| AL215E-00 | VALV.263/740F NO BW INJ K SYMBOL 12/230V 50HZ EURO PLUG  | 10   | 43      | •           |  |
| AL073E    | VALV. 263/742F BW 14 INJ L SYMBOL 12/230V 50HZ EURO PLUG | 10   | 41      | •           |  |
| AL075E-00 | VALV.263/742F NO BW INJ L SYMBOL 12/230V 50HZ EURO PLUG  | 10   | 41      | •           |  |

| Characteristics:                              |                         |
|---|-------------------------|
| Pressure vessel connection                    | Threaded 2 ½" 8 UN male |
| Drain line connection                         | Threaded ¾" NPT, male   |
| Brine line connection                         | Threaded ¾" NPT, male   |
| Distributor tube O. D. diameter               | 1,05" (= 27 mm)         |
| Distributor tube length above pressure vessel | ½" ± ½" (= 13 ± 13 mm)  |
| Weight (valve + controller)                   | 2,42 kg                 |
| Operating pressure                            | 1,38 ÷ 8,27 bar         |
| Water temperature                             | 2°C ÷ 38°C              |

| Box: WxLxH | Box: Q.ty | Box: Weight | Pallet: WxLxH | Pallet: Q.ty | Pallet: Weight |
|------------|-----------|-------------|---------------|--------------|----------------|
|            | 4         |             |               |              |                |

| Certificates             | Manufacturer | Sectors  |
|--------------------------|--------------|----------|
| DM174-2004, ACS, CE, EAC | Pentair      | Domestic |





## Autotrol Residential Valves Series 268FA with Series Logix Controller



- For automatic and residential water 5 cycles iron removal systems;
- valve body in NSF listed Noryl plastic material;
- valve rubber compounded for cold water, NSF listed material;
- operating flow rate Kv = 5,6;
- backwash flow rate = 75,7 lpm @ Δp 1,72 bar;
- available with series LOGIX controller:
- 742 F electronic chronometric programmable;
- 762 F electronic volumetric programmable;
- with European transformer 12/230V - 50Hz;
- adapters and manifold kit not included, to order separately;
- accessories (e.g. upper screen, etc.) not included.

| Ref    | Description   | Fam. | Subfam. | Disp. Stock |  |
|--------|---|------|---------|-------------|--|
| AQ066E | VALV. 268FA/742 BW 10 GPM (13") INJ L SYMBOL 12/230V 50HZ EURO PLUG | 10   | 48      | •           |  |

| Characteristics :                             |                         |
|---|-------------------------|
| Pressure vessel connection                    | Threaded 2 ½" 8 UN male |
| Drain line connection                         | Threaded ¾" NPT, male   |
| Brine line connection                         | Threaded ¾" NPT, male   |
| Distributor tube O. D. diameter               | 1,05" (= 27 mm)         |
| Distributor tube length above pressure vessel | ½" ± ½" (= 13 ± 13 mm)  |
| Weight (valve + controller)                   | 2,42 kg                 |
| Operating pressure                            | 1,38 ÷ 8,27 bar         |
| Water temperature                             | 2°C ÷ 38°C              |

| Box: WxLxH | Box: Q.ty | Box: Weight | Pallet: WxLxH | Pallet: Q.ty | Pallet: Weight |
|------------|-----------|-------------|---------------|--------------|----------------|
|            | 4         |             |               |              |                |

| Certificates             | Manufacturer | Sectors  |
|--------------------------|--------------|----------|
| DM174-2004, ACS, CE, EAC | Pentair      | Domestic |



## Autotrol Residential Valves Series 278 with Series Logix Controller



- For automatic water softening systems with high resin volume;
- valve body in NSF listed Noryl plastic material;
- valve rubber compounded for cold water, NSF listed material;
- operating flow rate Kv = 5,6;
- backwash flow rate = 75,7 lpm @ Δp 1,72 bar;
- resin volume range = 45 ÷ 225 litres;
- available with series LOGIX controller:
- 742 C electronic chronometric programmable;
- 762 C electronic volumetric programmable;
- with European transformer 12/230V - 50Hz;
- adapters and manifold kit not included, to order separately;
- accessories (e.g. upper screen, etc.) not included

| Ref    | Description  | Fam. | Subfam. | Disp. Stock |  |
|--------|--|------|---------|-------------|--|
| AR104E | VALV. 278/742C 1.3 M 14 SYMBOL 12/230V 50HZ EURO PLUG          | 10   | 60      | •           |  |
| AR105E | VALV. 278/742C 1.3 N 16 (7 GPM) SYMBOL 12/230V 50HZ EURO PLUG  | 10   | 60      | •           |  |
| AR106E | VALV. 278/742C 1.3 Q 18 (9 GPM) SYMBOL 12/230V 50HZ EURO PLUG  | 10   | 60      | •           |  |
| AR114E | VALV. 278/762C 1.3 M 14 SYMBOL 12/230V 50HZ EURO PLUG          | 10   | 60      | •           |  |
| AR115E | VALV. 278/762C 1.3 N 16 (7 GPM) SYMBOL 12/230V 50HZ EURO PLUG  | 10   | 60      | •           |  |
| AR116E | VALV. 278/762C 1.3 Q 18 (9 GPM) SYMBOL 12/230V 50HZ EURO PLUG  | 10   | 60      | •           |  |
| AR117E | VALV. 278/762C 1.3 R 21 (12 GPM) SYMBOL 12/230V 50HZ EURO PLUG | 10   | 60      | •           |  |

| Characteristics :                             |                         |
|---|-------------------------|
| Pressure vessel connection                    | Threaded 2 ½" 8 UN male |
| Drain line connection                         | Threaded ¾" NPT, male   |
| Brine line connection                         | Threaded ¾" NPT, male   |
| Distributor tube O. D. diameter               | 1,05" (= 27 mm)         |
| Distributor tube length above pressure vessel | ½" ± ½" (= 13 ± 13 mm)  |
| Weight (valve + controller)                   | 2,42 kg                 |
| Operating pressure                            | 1,38 ÷ 8,27 bar         |
| Water temperature                             | 2°C ÷ 38°C              |

| Box: WxLxH | Box: Q.ty | Box: Weight | Pallet: WxLxH | Pallet: Q.ty | Pallet: Weight |
|------------|-----------|-------------|---------------|--------------|----------------|
|            | 4         |             |               |              |                |

| Certificates            | Manufacturer | Sectors                |
|-------------------------|--------------|------------------------|
| DM174-2004, CS, CE, EAC | Pentair      | Commercial, Industrial |



## Residential Duplex Systems with Autotrol Residential Valves Series 278 Twin and 764 Controller



- For automatic and residential / commercial water softening systems;
- for twin alternating and twin parallel systems;
- consisting of n.2 valves (one "main" and another one "secondary") with 764 electronic volumetric;
- with European transformer 12/230V - 50Hz;
- valve body in NSF listed Noryl plastic material;
- valve rubber compounded for cold water, NSF listed material;
- operating flow rate for each tank  $K_v = 5,6$ ;
- backwash flow rate for each tank = 75,7 lpm @  $\Delta p$  1,72 bar;
- resin volume range for each tank = 45 ÷ 225 litres;
- interconnection kit and accessories (e.g. upper screen, etc.) not included, to order separately

| Ref    | Description  | Fam. | Subfam. | Disp. Stock |  |
|--------|--|------|---------|-------------|--|
| AN083E | VALV. 278/764 TWIN 1.3 M 14 SYMBOL 12/230V 50HZ EURO PLUG          | 10   | 53      | •           |  |
| AN084E | VALV. 278/764 TWIN 1.3 N 16 (7 GPM) SYMBOL 12/230V 50HZ EURO PLUG  | 10   | 53      | •           |  |
| AN085E | VALV. 278/764 TWIN 1.3 Q 18 (9 GPM) SYMBOL 12/230V 50HZ EURO PLUG  | 10   | 53      | •           |  |
| AN086E | VALV. 278/764 TWIN 1.3 R 21 (12 GPM) SYMBOL 12/230V 50HZ EURO PLUG | 10   | 53      | •           |  |

| Characteristics :                             |                         |
|---|-------------------------|
| Pressure vessel connection                    | Threaded 2 ½" 8 UN male |
| Drain line connection                         | Threaded ¾" NPT, male   |
| Brine line connection                         | Threaded ⅝" NPT, male   |
| Distributor tube O. D. diameter               | 1,05" (= 27 mm)         |
| Distributor tube length above pressure vessel | ½" ± ½" (= 13 ± 13 mm)  |
| Weight (valve + controller)                   | 2,42 kg                 |
| Operating pressure                            | 1,38 ÷ 8,27 bar         |
| Water temperature                             | 2°C ÷ 38°C              |

| Box: WxLxH | Box: Q.ty | Box: Weight | Pallet: WxLxH | Pallet: Q.ty | Pallet: Weight |
|------------|-----------|-------------|---------------|--------------|----------------|
| 40x55x50   | 2         | 14,3        | 120x80x210    | 32           | 245            |

| Certificates             | Manufacturer | Sectors                |
|--------------------------|--------------|------------------------|
| DM174-2004, ACS, CE, EAC | Pentair      | Commercial, Industrial |



## Autotrol Residential Valves Series 278 with 764 Controller for Multitank Systems



- For automatic and residential / commercial water softening systems;
- with electronic volumetric 764 controller;
- for parallel systems;
- valve body in NSF listed Noryl plastic material;
- valve rubber compounded for cold water, NSF listed material;
- operating flow rate for each tank  $K_v = 5,6$ ;
- backwash flow rate for each tank =  $75,7 \text{ lpm} @ \Delta p 1,72 \text{ bar}$ ;
- resin volume range for each tank =  $45 \div 225 \text{ litres}$ ;
- with European transformer 12/230V - 50Hz for each valve;
- adapters and manifold kit not included, to order separately
- accessories (e.g. upper screen, etc.) not included.

| Ref    | Description   | Fam. | Subfam. | Disp. Stock |  |
|--------|---|------|---------|-------------|--|
| AN103E | VALV. 278/764L 1.3 M 14 SYMBOL 12/230V 50HZ EURO PLUG | 10   | 53      | •           |  |

| Characteristics :                             |                            |
|---|----------------------------|
| Pressure vessel connection                    | Threaded 2 1/2" 8 UN male  |
| Drain line connection                         | Threaded 3/4" NPT, male    |
| Brine line connection                         | Threaded 3/8" NPT, male    |
| Distributor tube O. D. diameter               | 1,05" (= 27 mm)            |
| Distributor tube length above pressure vessel | 1/2" ± 1/2" (= 13 ± 13 mm) |
| Weight (valve + controller)                   | 2,42 kg                    |
| Operating pressure                            | 1,38 ÷ 8,27 bar            |
| Water temperature                             | 2°C ÷ 38°C                 |

| Box: WxLxH | Box: Q.ty | Box: Weight | Pallet: WxLxH | Pallet: Q.ty | Pallet: Weight |
|------------|-----------|-------------|---------------|--------------|----------------|
|            | 2         |             |               |              |                |

| Certificates             | Manufacturer | Sectors                |
|--------------------------|--------------|------------------------|
| DM174-2004, ACS, CE, EAC | Pentair      | Commercial, Industrial |



## Autotrol Industrial Softening Magnum CV 1,5" Valves with Series Logix Controller



- For automatic and industrial water softening systems;
- valve body in NSF listed Noryl plastic material with 304 Stainless Steel tank adapter (for heavy applications, like iron removal using KMnO4 or decarbonisation using HCl, the Noryl tank adapter is available on request);
- o-rings in EPDM material;
- operating flow rate Kv = 17,3;
- backwash flow rate = 337 lpm @ Δp 1,72 bar;
- resin volume range = 100 ÷ 700 litres;
- available with series LOGIX controller;
- 742 electronic chronometric programmable;
- 762 electronic volumetric programmable;
- with European transformer 12/230V - 50/60 Hz;
- available with or without by-pass;
- adapters, manifold kit and accessories (e.g. upper screen, etc.) not included, to order separately;
- brine tank refill system doesn't need a brine valve, but just an air-check;
- PVC 2" side mounting adapter available on demand;
- if you want to connect the 2" turbine, you must order our ref. CD163 separately.

| Ref    | Description  | Fam. | Subfam. | Disp. Stock |  |
|--------|--|------|---------|-------------|--|
| CA201E | MAGNUM 1.5" 298/742 16" (6 GPM) HWB SYMBOL 12/230V 50HZ EURO PLUG  | 20   | 80      | •           |  |
| CA205E | MAGNUM 1.5" 298/742 30" (20 GPM) HWB SYMBOL 12/230V 50HZ EURO PLUG | 20   | 80      | •           |  |
| CA215E | MAGNUM 1.5" 298/742 30" (20 GPM) NHB SYMBOL 12/230V 50HZ EURO PLUG | 20   | 80      | •           |  |
| CA216E | MAGNUM 1.5" 298/742 36" (30 GPM) NHB SYMBOL 12/230V 50HZ EURO PLUG | 20   | 80      | •           |  |
| CA221E | MAGNUM 1.5" 298/762 16" (6 GPM) HWB SYMBOL 12/230V 50HZ EURO PLUG  | 20   | 80      | •           |  |
| CA222E | MAGNUM 1.5" 298/762 18" (8 GPM) HWB SYMBOL 12/230V 50HZ EURO PLUG  | 20   | 80      | •           |  |
| CA236E | MAGNUM 1.5" 298/762 36" (30 GPM) NHB SYMBOL 12/230V 50HZ EURO PLUG | 20   | 80      | •           |  |

| Characteristics:                              |   |
|---|---|
| Pressure vessel connection                    | Threaded 4" - 8 UN male                     |
| Drain line connection                         | 1,5" brass - NPT/BSPT male D50 CPVC to glue |
| Brine line connection                         | Threaded ¾" NPT male                        |
| Distributor tube O. D. diameter               | 1,5" (= 48,3 mm)                            |
| Pilot drain and auxiliary hydraulic out       | ¼" tube fitting Jaco                        |
| Distributor tube length above pressure vessel | 16 ± 3 mm                                   |
| Weight (valve + controller)                   | 12,3 kg                                     |
| Operating pressure                            | 1,72 ÷ 6,90 bar                             |
| Water temperature                             | 1°C ÷ 36°C                                  |

| Box: WxLxH | Box: Q.ty | Box: Weight | Pallet: WxLxH | Pallet: Q.ty | Pallet: Weight |
|------------|-----------|-------------|---------------|--------------|----------------|
| 41x60x50   | 1         | 17,0        | 120x80x210    | 16           | 28,5           |

| Certificates       | Manufacturer | Sectors                |
|--------------------|--------------|------------------------|
| DM174-2004 CE, EAC | Pentair      | Commercial, Industrial |



## Autotrol Industrial Magnum CV 1,5" Valves for Filtration with Series Logix Controller



- For automatic and industrial water filtration systems;
- valve body in NSF listed Noryl plastic material with 304 Stainless Steel tank adapter (for heavy applications, like sea water, the Noryl tank adapter is available on request);
- o-rings in EPDM material;
- operating flow rate Kv = 17,3;
- backwash flow rate = 337 lpm @ Δp 1,72 bar;
- available with series LOGIX controller
- 742 F electronic chronometric programmable;
- 762 F electronic volumetric programmable;
- with European transformer 12/230V - 50/60 Hz;
- available with or without by-pass;
- adapters, manifold kit and accessories (e.g. upper screen, etc.) not included, to order separately
- PVC 2" side mounting adapter available on demand (REF. CC084).

| Ref    | Description  | Fam. | Subfam. | Disp. Stock |  |
|--------|--|------|---------|-------------|--|
| CA240E | MAGNUM 1.5" 293/742F (5 GPM) UWB SYMBOL 12/230V 50HZ EURO PLUG | 20   | 80      | •           |  |
| CA241E | MAGNUM 1.5" 293/742F (5 GPM) NUB SYMBOL 12/230V 50HZ EURO PLUG | 20   | 80      | •           |  |

| Characteristics:                              |   |
|---|---|
| Pressure vessel connection                    | Threaded 4" - 8 UN male                     |
| Drain line connection                         | 1,5" brass - NPT/BSPT male D50 CPVC to glue |
| Brine line connection                         | Threaded ¾" NPT male                        |
| Distributor tube O. D. diameter               | 1,5" (= 48,3 mm)                            |
| Pilot drain and auxiliary hydraulic out       | ¼" tube fitting Jaco                        |
| Distributor tube length above pressure vessel | 16 ± 3 mm                                   |
| Weight (valve + controller)                   | 12,3 kg                                     |
| Operating pressure                            | 1,72 ÷ 6,90 bar                             |
| Water temperature                             | 1°C ÷ 36°C                                  |

| Box: WxLxH | Box: Q.ty | Box: Weight | Pallet: WxLxH | Pallet: Q.ty | Pallet: Weight |
|------------|-----------|-------------|---------------|--------------|----------------|
|            | 1         |             |               |              |                |

| Certificates       | Manufacturer | Sectors                |
|--------------------|--------------|------------------------|
| DM174-2004 CE, EAC | Pentair      | Commercial, Industrial |



## Autotrol Industrial Softening Magnum IT 2" Valves with Series Logix Controller



- for automatic and industrial water softening systems;
- valve body in NSF listed Noryl plastic material with 304 Stainless Steel tank adapter (for heavy applications, like iron removal using KMnO4 or decarbonisation using HCl, the Noryl tank adapter is available on request);
- o-rings in EPDM material;
- operating flow rate Kv = 18,2;
- backwash flow rate = 337 lpm @ Δp 1,72 bar;
- resin volume range = 100 ÷ 700 litres;
- available with series LOGIX controller:
- 742 electronic chronometric programmable;
- 762 electronic volumetric programmable;
- with European transformer 12/230V - 50/60 Hz;
- available with or without by-pass;
- adapters, manifold kit and accessories (e.g. upper screen, etc.) not included, to order separately;
- brine tank refill system doesn't need a brine valve, but just an air-check;
- PVC 2" side mounting adapter available on demand (REF. CC084).

| Ref    | Description   | Fam. | Subfam. | Disp. Stock |  |
|--------|---|------|---------|-------------|--|
| CB202E | MAGNUM IT 2" 298/742 18" (8 GPM) HWB SYMBOL 12/230V 50HZ EURO PLUG  | 20   | 81      | •           |  |
| CB221E | MAGNUM IT 2" 298/762 16" (6 GPM) HWB SYMBOL 12/230V 50HZ EURO PLUG  | 20   | 81      | •           |  |
| CB222E | MAGNUM IT 2" 298/762 18" (8 GPM) HWB SYMBOL 12/230V 50HZ EURO PLUG  | 20   | 81      | •           |  |
| CB223E | MAGNUM IT 2" 298/762 21" (10 GPM) HWB SYMBOL 12/230V 50HZ EURO PLUG | 20   | 81      | •           |  |
| CB224E | MAGNUM IT 2" 298/762 24" (14 GPM) HWB SYMBOL 12/230V 50HZ EURO PLUG | 20   | 81      | •           |  |
| CB226E | MAGNUM IT 2" 298/762 36" (30 GPM) HWB SYMBOL 12/230V 50HZ EURO PLUG | 20   | 81      | •           |  |
| CB234E | MAGNUM IT 2" 298/762 24" (14 GPM) NHB SYMBOL 12/230V 50HZ EURO PLUG | 20   | 81      | •           |  |
| CB236E | MAGNUM IT 2" 298/762 36" (30 GPM) NHB SYMBOL 12/230V 50HZ EURO PLUG | 20   | 81      | •           |  |

| Characteristics:                              |   |
|---|---|
| Pressure vessel connection                    | Threaded 4" - 8 UN male                     |
| Drain line connection                         | 1,5" brass - NPT/BSPT male D50 CPVC to glue |
| Brine line connection                         | Threaded ¾" NPT male                        |
| Distributor tube O. D. diameter               | 1,5" (= 48,3 mm)                            |
| Pilot drain and auxiliary hydraulic out       | Jaco ¼" tubo                                |
| Distributor tube length above pressure vessel | 16 ± 3 mm                                   |
| Weight (valve + controller)                   | 12,3 kg                                     |
| Operating pressure                            | 1,72 ÷ 6,90 bar                             |
| Water temperature                             | 1°C ÷ 36°C                                  |

| Box: WxLxH | Box: Q.ty | Box: Weight | Pallet: WxLxH | Pallet: Q.ty | Pallet: Weight |
|------------|-----------|-------------|---------------|--------------|----------------|
|            | 1         |             |               |              |                |

| Certificates       | Manufacturer | Sectors                |
|--------------------|--------------|------------------------|
| DM174-2004 CE, EAC | Pentair      | Commercial, Industrial |





## Autotrol Industrial Magnum IT 2" Valves for Filtration with Series Logix Controller



- For automatic and industrial water filtration systems;
- valve body in NSF listed Noryl plastic material with 304 Stainless Steel tank adapter (for heavy applications, like sea water, the Noryl tank adapter is available on request);
- o-rings in EPDM material;
- operating flow rate Kv = 18,2;
- backwash flow rate = 337 lpm @ Δp 1,72 bar;
- available with series LOGIX controller;
- 742 F electronic chronometric programmable;
- 762 F electronic volumetric programmable;
- with European transformer 12/230V - 50/60 Hz;
- available with or without by-pass;
- adapters, manifold kit and accessories (e.g. upper screen, etc.) not included, to order separately;
- PVC 2" side mounting adapter available on demand (REF. CC084).

| Ref.   | Description   | Fam. | Subfam. | Disp. Stock |  |
|--------|---|------|---------|-------------|--|
| CB240E | MAGNUM IT 2" 293/742F (5 GPM) UWB SYMBOL 12/230V 50HZ EURO PLUG | 20   | 81      | •           |  |
| CB241E | MAGNUM IT 2" 293/742F (5 GPM) NUB SYMBOL 12/230V 50HZ EURO PLUG | 20   | 81      | •           |  |
| CB245E | MAGNUM IT 2" 293/762F (5 GPM) NUB SYMBOL 12/230V 50HZ EURO PLUG | 20   | 81      | •           |  |

| Characteristics :                             |   |
|---|---|
| Pressure vessel connection                    | Threaded 4" - 8 UN male                     |
| Drain line connection                         | 1,5" brass - NPT/BSPT male D50 CPVC to glue |
| Brine line connection                         | Threaded ¾" NPT male                        |
| Distributor tube O. D. diameter               | 1,5" (= 48,3 mm)                            |
| Pilot drain and auxiliary hydraulic out       | ¼" tube fitting Jaco                        |
| Distributor tube length above pressure vessel | 16 ± 3 mm                                   |
| Weight (valve + controller)                   | 12,3 kg                                     |
| Operating pressure                            | 1,72 ÷ 6,90 bar                             |
| Water temperature                             | 1°C ÷ 36°C                                  |

| Box: WxLxH | Box: Q.ty | Box: Weight | Pallet: WxLxH | Pallet: Q.ty | Pallet: Weight |
|------------|-----------|-------------|---------------|--------------|----------------|
|            | 1         |             |               |              |                |

| Certificates       | Manufacturer | Sectors                |
|--------------------|--------------|------------------------|
| DM174-2004 CE, EAC | Pentair      | Commercial, Industrial |



## Industrial Duplex Systems with Autotrol Softening Magnum IT 2" Valves and 764 Controller



- For automatic and industrial water softening systems;
- for twin alternating and twin parallel systems;
- consisting of n.2 valves (one "main" and another one "secondary") with 764 electronic volumetric;
- valve body in NSF listed Noryl plastic material with 304 Stainless Steel tank adapter (for heavy applications, like iron removal using KMnO4 or decarbonisation using HCl, the Noryl tank adapter is available on request);
- o-rings in EPDM material;
- operating flow rate for each tank Kv = 18,2;
- backwash flow rate for each tank = 337 lpm @ Δp 1,72 bar;
- resin volume range for each tank = 100 ÷ 700 litres;
- with European transformer 12/230V - 50/60 Hz;
- available with or without by-pass;
- adapters, manifold kit and accessories (e.g. upper screen, etc.) not included, to order separately;
- brine tank refill system doesn't need a brine valve, but just an air-check;
- PVC 2" side mounting adapter available on demand (REF. CC084);
- interconnection not included.

| Ref    | Description  | Fam. | Subfam. | Disp. Stock |  |
|--------|--|------|---------|-------------|--|
| CB250E | MAGNUM 298 2" MIT-TWS-764-14" (5 GPM) NHB SYMBOL 12/230V 50HZ EURO PLUG  | 20   | 81      | •           |  |
| CB251E | MAGNUM 298 2" MIT-TWS-764-16" (6 GPM) NHB SYMBOL 12/230V 50HZ EURO PLUG  | 20   | 81      | •           |  |
| CB252E | MAGNUM 298 2" MIT-TWS-764-18" (8 GPM) NHB SYMBOL 12/230V 50HZ EURO PLUG  | 20   | 81      | •           |  |
| CB253E | MAGNUM 298 2" MIT-TWS-764-21" (10 GPM) NHB SYMBOL 12/230V 50HZ EURO PLUG | 20   | 81      | •           |  |
| CB254E | MAGNUM 298 2" MIT-TWS-764-24" (14 GPM) NHB SYMBOL 12/230V 50HZ EURO PLUG | 20   | 81      | •           |  |
| CB255E | MAGNUM 298 2" MIT-TWS-764-30" (20 GPM) NHB SYMBOL 12/230V 50HZ EURO PLUG | 20   | 81      | •           |  |
| CB256E | MAGNUM 298 2" MIT-TWS-764-36" (30 GPM) NHB SYMBOL 12/230V 50HZ EURO PLUG | 20   | 81      | •           |  |

| Characteristics:                              |   |
|---|---|
| Pressure vessel connection                    | Threaded 4" - 8 UN male                     |
| Drain line connection                         | 1,5" brass - NPT/BSPT male D50 CPVC to glue |
| Brine line connection                         | Threaded ¾" NPT male                        |
| Distributor tube O. D. diameter               | 1,5" (= 48,3 mm)                            |
| Pilot drain and auxiliary hydraulic out       | ¼" tube fitting Jaco                        |
| Distributor tube length above pressure vessel | 16 ± 3 mm                                   |
| Weight (valve + controller)                   | 12,3 kg                                     |
| Operating pressure                            | 1,72 ÷ 6,90 bar                             |
| Water temperature                             | 1°C ÷ 36°C                                  |

| Box: WxLxH | Box: Q.ty | Box: Weight | Pallet: WxLxH | Pallet: Q.ty | Pallet: Weight |
|------------|-----------|-------------|---------------|--------------|----------------|
| 41x60x50   | 1         | 34,0        | 120x80x210    | 8            | 28,5           |

| Certificates       | Manufacturer | Sectors                |
|--------------------|--------------|------------------------|
| DM174-2004 CE, EAC | Pentair      | Commercial, Industrial |



## Autotrol Industrial Softening Magnum IT 2" Valves with 764 Controller for Multitank Systems



- For automatic and industrial water softening systems;
- with electronic volumetric 764 controller;
- for parallel systems;
- valve body in NSF listed Noryl plastic material with 304 Stainless Steel tank adapter (for heavy applications, like iron removal using KMnO4 or decarbonisation using HCl, the Noryl tank adapter is available on request);
- o-rings in EPDM material;
- operating flow rate for each tank Kv = 18,2;
- backwash flow rate for each tank = 337 lpm @ Δp 1,72 bar;
- resin volume range for each tank = 100 ÷ 700 litres;
- with European transformer 12/230V - 50/60 Hz for each valve;
- available with or without by-pass;
- adapters, manifold kit and accessories (e.g. upper screen, etc.) not included, to order separately;
- brine tank refill system doesn't need a brine valve, but just an air-check;
- PVC 2" side mounting adapter available on demand;
- interconnection not included.

| Ref    | Description   | Fam. | Subfam. | Disp. Stock |  |
|--------|---|------|---------|-------------|--|
| CB266E | MAGNUM 298 2" MIT-SN-764-36" (30 GPM) NHB SYMBOL 12/230V 50HZ EURO PLUG | 20   | 81      | •           |  |

| Characteristics:                              |   |
|---|---|
| Pressure vessel connection                    | Threaded 4" - 8 UN male                     |
| Drain line connection                         | 1,5" brass - NPT/BSPT male D50 CPVC to glue |
| Brine line connection                         | Threaded 3/4" NPT male                      |
| Distributor tube O. D. diameter               | 1,5" (= 48,3 mm)                            |
| Pilot drain and auxiliary hydraulic out       | 1/4" tube fitting Jaco                      |
| Distributor tube length above pressure vessel | 16 ± 3 mm                                   |
| Weight (valve + controller)                   | 12,3 kg                                     |
| Operating pressure                            | 1,72 ÷ 6,90 bar                             |
| Water temperature                             | 1°C ÷ 36°C                                  |

| Box: WxLxH | Box: Q.ty | Box: Weight | Pallet: WxLxH | Pallet: Q.ty | Pallet: Weight |
|------------|-----------|-------------|---------------|--------------|----------------|
|            | 1         |             |               |              |                |

| Certificates       | Manufacturer | Sectors                |
|--------------------|--------------|------------------------|
| DM174-2004 CE, EAC | Pentair      | Commercial, Industrial |



## Series 400 Controllers for Autotrol Valves Series 255 - 263 - 268

### Controllers for softeners characteristics

| Characteristic            | 440i                     | 460tc                | 460i                 |
|---------------------------|--------------------------|----------------------|----------------------|
| Controller type           | Electromechanical        | Electronic           | Electronic           |
| Regeneration mode         | Chronometric: 7 or 6 day | Chronometric         | Volumetric           |
| Regeneration frequency    | Daily                    | Daily                | Daily                |
| Regeneration cycle length | 59' or 118'              | 59' or 118'          | 59' or 118'          |
| Cycle length              | Fixed not modifiable     | Fixed not modifiable | Fixed not modifiable |
| Salt setting              | Pounds of salt           | Pounds of salt       | Pounds of salt       |

### Controllers for filtration characteristics

| Characteristic      | 440i                    | 460tc                |
|---------------------|-------------------------|----------------------|
| Controller type     | Electromechanical       | Electronic           |
| Backwash mode       | Chronometric: 7 or 6 gg | Chronometric         |
| Backwash frequency  | Daily                   | Daily                |
| Filter cycle length | Fixed not modifiable    | Fixed not modifiable |

## Logix Controllers for Autotrol Valves Series 255 - 263 - 268 - 273 - 278 - 293 - 298

### Controllers for softeners characteristics

| Characteristics              | 740 C  | 760 C                           | 742 C  | 762 C                           | 764                             |
|------------------------------|--|---------------------------------|--|---------------------------------|---------------------------------|
| Controller type              | Electronic                                   | Electronic                      | Electronic                                   | Electronic                      | Electronic                      |
| Regeneration mode            | Chronometric                                 | Volumetric                      | Chronometric                                 | Volumetric                      | Volumetric                      |
| Regeneration frequency       | Fixed day or 0,5 ÷ 99 days calendar override | 0,5 ÷ 99 days calendar override | Fixed day or 0,5 ÷ 99 days calendar override | 0,5 ÷ 99 days calendar override | 0,5 ÷ 99 days calendar override |
| Adjustable regeneration time | Yes  | Yes                             | Yes  | Yes                             | Yes                             |
| Cycle length                 | Computer calculated                          | Computer calculated             | Fully programmable                           | Fully programmable              | Fully programmable              |
| Salt setting                 | 3 options                                    | 3 options                       | Fully adjustable                             | Fully adjustable                | Fully adjustable                |

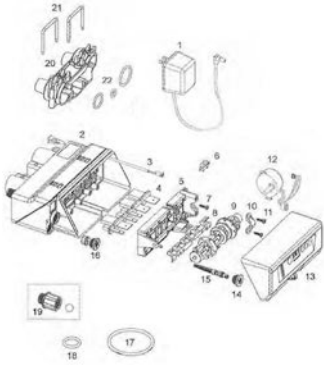
### Controllers for filtration characteristics

| Characteristics        | 740 F  | 760 F                           | 742 F  | 762 F                           | 764 F                           |
|------------------------|--|---------------------------------|--|---------------------------------|---------------------------------|
| Controller type        | Electronic                                   | Electronic                      | Electronic                                   | Electronic                      | Electronic                      |
| Backwash mode          | Chronometric                                 | Volumetric                      | Chronometric                                 | Volumetric                      | Volumetric                      |
| Backwash frequency     | Fixed day or 0,5 ÷ 99 days calendar override | 0,5 ÷ 99 days calendar override | Fixed day or 0,5 ÷ 99 days calendar override | 0,5 ÷ 99 days calendar override | 0,5 ÷ 99 days calendar override |
| Adjustable cycle times | Programmable back wash time                  | Programmable back wash time     | Fully programmable                           | Fully programmable              | Fully programmable              |
| Filter cycle length    | Computer calculated                          | Computer calculated             | Fully adjustable                             | Fully adjustable                | Fully adjustable                |





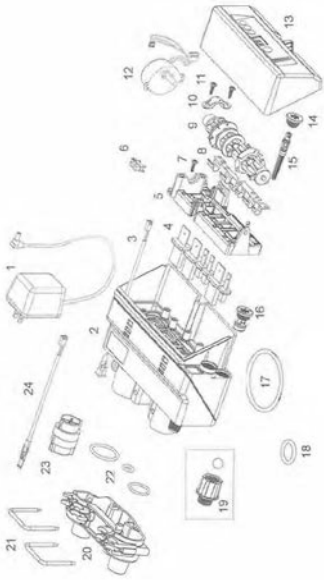
## 368/604 VALVE PARTS LIST



| Number    | Ref   | P.N.    | Description  | Fam. | Subfam. | Disp. Stock |  |
|-----------|-------|---------|--|------|---------|-------------|--|
| 1         | AW500 | 1000814 | EUROPEAN TRANSFORMER 230/12V   | 10   | 64      | •           |  |
| 1         | AW501 | 1000813 | BRITISH TRANSFORMER  | 10   | 64      | •           |  |
| 3         | AW260 | 3022576 | OPTIC SENSOR POWER CABLE   | 10   | 64      | •           |  |
| 4         | AW250 | 3007947 | VALVE DISCS KIT FOR 366 367 368  | 10   | 64      | •           |  |
| 6         | AW129 | 1235373 | OPTIC SENSOR P/N 1235373   | 10   | 64      | •           |  |
| 7         | AW174 | 3030450 | TOP PLATE SCREW NO 8x9/16"   | 10   | 64      | •           |  |
| 8         | AW252 | 3022017 | SPRING ONE PIECE 366 367 368   | 10   | 64      | •           |  |
| 9         | AW253 | 3022014 | CAMSHAFT FOR 366 367 368   | 10   | 64      | •           |  |
| 10        | CD100 | 1000589 | PILLOW BLOCK CAP   | 20   | 83      | •           |  |
| 11        | AW174 | 3030450 | TOP PLATE SCREW NO 8x9/16"   | 10   | 64      | •           |  |
| 12        | AW254 | 3026537 | MOTOR CABLE ASSEMBLY 366 367 368   | 10   | 64      | •           |  |
| 13        | AW280 | 4001737 | TIMER 604 12V 50-60HZ  | 10   | 64      | •           |  |
| 14        | AW107 | 1000269 | INJECTOR CAP/BACKWASH OPEN 00  | 10   | 64      | •           |  |
| 15        | AW266 | 3025326 | SCREEN ASSEMBLY INJECTOR E YELLOW WITH O-RING + FILTER 366 367 368       | 10   | 64      | •           |  |
| 15        | AW267 | 3025327 | SCREEN ASSEMBLY INJECTOR F PEACH WITH O-RING + FILTER 366 367 368        | 10   | 64      | •           |  |
| 15        | AW268 | 3025328 | SCREEN ASSEMBLY INJECTOR G TAN WITH O-RING + FILTER 366 367 368          | 10   | 64      | •           |  |
| 15        | AW269 | 3025329 | SCREEN ASSEMBLY INJECTOR H LIGHT PURPLE WITH O-RING + FILTER 366 367 368 | 10   | 64      | •           |  |
| 16        | AW115 | 1000221 | BRINE REFILL CONTROL ASSEMBLY .14GPM                                     | 10   | 64      | •           |  |
| 17        | AW172 | 3029969 | O-RING ADAPTER FOR PRESSURE VESSEL 2.1/2"                                | 10   | 64      | •           |  |
| 18        | AW169 | 3030918 | O-RING 1.05"   | 10   | 64      | •           |  |
| 19        | AV146 | 3031526 | EXTERNAL BACKWASH CONTROL PEANUT 0.9 GPM # 06                            | 10   | 62      | •           |  |
| 19        | AV147 | 3031527 | EXTERNAL BACKWASH CONTROL PEANUT 1.20 GPM # 07                           | 10   | 62      | •           |  |
| 19        | AV148 | 3031528 | EXTERNAL BACKWASH CONTROL PEANUT 1.60 GPM # 08                           | 10   | 62      | •           |  |
| 19        | AV149 | 3031529 | EXTERNAL BACKWASH CONTROL PEANUT 2.00 GPM # 09                           | 10   | 62      | •           |  |
| 20        | AW255 | 3027832 | MANIFOLD 3/4" BSPT INLET/OUTLET  | 10   | 64      | •           |  |
| 22        | AW257 | 3031825 | O-RING KIT MANIFOLD 367  | 10   | 64      | •           |  |
| Not shown | AV185 | 3022042 | MIXING VALVE FOR 366-368 VALVE   | 10   | 62      | •           |  |



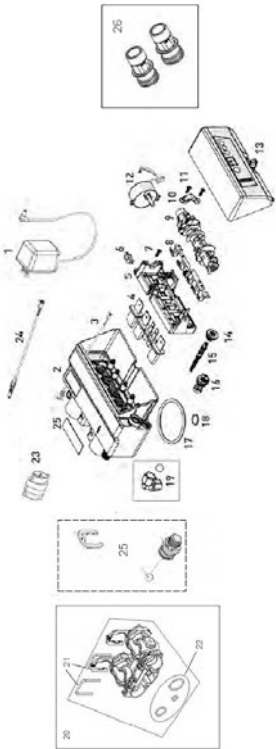
## 368/606 VALVE PARTS LIST



| Numero   | Ref   | P.N.    | Description  | Fam. | Subfam. | Dsisp. Stock |  |
|----------|-------|---------|--|------|---------|--------------|--|
| 1        | AW500 | 1000814 | EUROPEAN TRANSFORMER 230/12V   | 10   | 64      | •            |  |
| 1        | AW501 | 1000813 | BRITISH TRANSFORMER  | 10   | 64      | •            |  |
| 3        | AW260 | 3022576 | OPTIC SENSOR POWER CABLE   | 10   | 64      | •            |  |
| 4        | AW250 | 3007947 | VALVE DISCS KIT FOR 366 367 368  | 10   | 64      | •            |  |
| 6        | AW129 | 1235373 | OPTIC SENSOR P/N 1235373   | 10   | 64      | •            |  |
| 7        | AW174 | 3030450 | TOP PLATE SCREW NO 8x9/16"   | 10   | 64      | •            |  |
| 8        | AW252 | 3022017 | SPRING ONE PIECE 366 367 368   | 10   | 64      | •            |  |
| 9        | AW253 | 3022014 | CAMSHAFT FOR 366 367 368   | 10   | 64      | •            |  |
| 10       | CD100 | 1000589 | PILLOW BLOCK CAP   | 20   | 83      | •            |  |
| 11       | AW174 | 3030450 | TOP PLATE SCREW NO 8x9/16"   | 10   | 64      | •            |  |
| 12       | AW254 | 3026537 | MOTOR CABLE ASSEMBLY 366 367 368   | 10   | 64      | •            |  |
| 13       | AW281 | 4001738 | TIMER 606 12V 50-60HZ  | 10   | 64      | •            |  |
| 14       | AW107 | 1000269 | INJECTOR CAP/BACKWASH OPEN 00  | 10   | 64      | •            |  |
| 15       | AW266 | 3025326 | SCREEN ASSEMBLY INJECTOR E YELLOW WITH O-RING + FILTER 366 367 368       | 10   | 64      | •            |  |
| 15       | AW267 | 3025327 | SCREEN ASSEMBLY INJECTOR F PEACH WITH O-RING + FILTER 366 367 368        | 10   | 64      | •            |  |
| 15       | AW268 | 3025328 | SCREEN ASSEMBLY INJECTOR G TAN WITH O-RING + FILTER 366 367 368          | 10   | 64      | •            |  |
| 15       | AW269 | 3025329 | SCREEN ASSEMBLY INJECTOR H LIGHT PURPLE WITH O-RING + FILTER 366 367 368 | 10   | 64      | •            |  |
| 16       | AW115 | 1000221 | BRINE REFILL CONTROL ASSEMBLY .14GPM                                     | 10   | 64      | •            |  |
| 17       | AW172 | 3029969 | O-RING ADAPTER FOR PRESSURE VESSEL 2.1/2"                                | 10   | 64      | •            |  |
| 18       | AW169 | 3030918 | O-RING 1.05"   | 10   | 64      | •            |  |
| 19       | AV146 | 3031526 | EXTERNAL BACKWASH CONTROL PEANUT 0.9 GPM # 06                            | 10   | 62      | •            |  |
| 19       | AV147 | 3031527 | EXTERNAL BACKWASH CONTROL PEANUT 1.20 GPM # 07                           | 10   | 62      | •            |  |
| 19       | AV148 | 3031528 | EXTERNAL BACKWASH CONTROL PEANUT 1.60 GPM # 08                           | 10   | 62      | •            |  |
| 19       | AV149 | 3031529 | EXTERNAL BACKWASH CONTROL PEANUT 2.00 GPM # 09                           | 10   | 62      | •            |  |
| 20       | AW255 | 3027832 | MANIFOLD 3/4" BSPT INLET/OUTLET  | 10   | 64      | •            |  |
| 21       | AW256 | 3027831 | CLIP ATTACCO VALV. 367   | 10   | 64      | •            |  |
| 22       | AW257 | 3031825 | O-RING KIT MANIFOLD 367  | 10   | 64      | •            |  |
| 23       | AW258 | 3027839 | METER ASSEMBLY 367   | 10   | 64      | •            |  |
| 24       | AW259 | 3027837 | TURBINE CABLE 367  | 10   | 64      | •            |  |
| Non Vis. | AV185 | 3022042 | MIXING VALVE FOR 366-368 VALVE   | 10   | 62      | •            |  |



## 368/606B VALVE EXPLODED VIEW

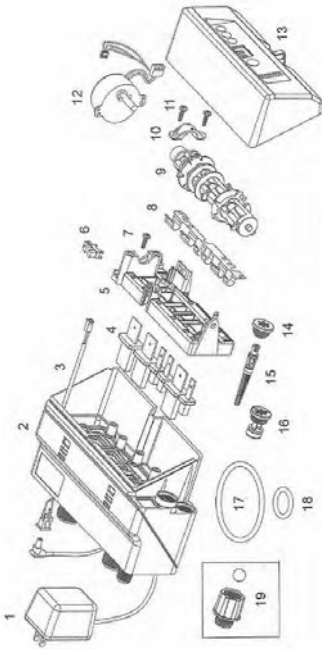


| Numero   | Ref    | P.N.    | Description  | Fam. | Subfam. | Disp. Stock |  |
|----------|--------|---------|--|------|---------|-------------|--|
| 1        | AW500  | 1000814 | EUROPEAN TRANSFORMER 230/12V   | 10   | 64      | •           |  |
| 1        | AW501  | 1000813 | BRITISH TRANSFORMER  | 10   | 64      | •           |  |
| 3        | AW260  | 3022576 | OPTIC SENSOR POWER CABLE   | 10   | 64      | •           |  |
| 4        | AW250  | 3007947 | VALVE DISCS KIT FOR 366 367 368  | 10   | 64      | •           |  |
| 6        | AW129  | 1235373 | OPTIC SENSOR P/N 1235373   | 10   | 64      | •           |  |
| 7        | AW174  | 3030450 | TOP PLATE SCREW NO 8x9/16"   | 10   | 64      | •           |  |
| 8        | AW252  | 3022017 | SPRING ONE PIECE 366 367 368   | 10   | 64      | •           |  |
| 9        | AW253  | 3022014 | CAMSHAFT FOR 366 367 368   | 10   | 64      | •           |  |
| 10       | CD100  | 1000589 | PILLOW BLOCK CAP   | 20   | 83      | •           |  |
| 11       | AW174  | 3030450 | TOP PLATE SCREW NO 8x9/16"   | 10   | 64      | •           |  |
| 12       | AW254  | 3026537 | MOTOR CABLE ASSEMBLY 366 367 368   | 10   | 64      | •           |  |
| 13       | AW281  | 4001738 | TIMER 606 12V 50-60HZ  | 10   | 64      | •           |  |
| 14       | AW107  | 1000269 | INJECTOR CAP/BACKWASH OPEN 00  | 10   | 64      | •           |  |
| 15       | AW266  | 3025326 | SCREEN ASSEMBLY INJECTOR E YELLOW WITH O-RING + FILTER 366 367 368       | 10   | 64      | •           |  |
| 15       | AW267  | 3025327 | SCREEN ASSEMBLY INJECTOR F PEACH WITH O-RING + FILTER 366 367 368        | 10   | 64      | •           |  |
| 15       | AW268  | 3025328 | SCREEN ASSEMBLY INJECTOR G TAN WITH O-RING + FILTER 366 367 368          | 10   | 64      | •           |  |
| 15       | AW269  | 3025329 | SCREEN ASSEMBLY INJECTOR H LIGHT PURPLE WITH O-RING + FILTER 366 367 368 | 10   | 64      | •           |  |
| 16       | AW115  | 1000221 | BRINE REFILL CONTROL ASSEMBLY .14GPM                                     | 10   | 64      | •           |  |
| 17       | AW172  | 3029969 | O-RING ADAPTER FOR PRESSURE VESSEL 2.1/2"                                | 10   | 64      | •           |  |
| 18       | AW169  | 3030918 | O-RING 1.05"   | 10   | 64      | •           |  |
| 19       | AV174  |         | ELBOW DRAIN FITTING 1/2" F   | 10   | 62      | •           |  |
| 20       | AW290  | 4000886 | BYPASS VALVE 368/606   | 10   | 64      | •           |  |
| 22       | AW257  | 3031825 | O-RING KIT MANIFOLD 367  | 10   | 64      | •           |  |
| 23       | AW258  | 3027839 | METER ASSEMBLY 367   | 10   | 64      | •           |  |
| 24       | AW259  | 3027837 | TURBINE CABLE 367  | 10   | 64      | •           |  |
| 25       | AV146B | 4001297 | EXTERNAL BACKWASH CONTROL 368 BYPASS 0.90 GPM # 06                       | 10   | 62      | •           |  |
| 25       | AV147B | 4001298 | EXTERNAL BACKWASH CONTROL 368 BYPASS 1.20 GPM # 07                       | 10   | 62      | •           |  |
| 25       | AV148B | 4001299 | EXTERNAL BACKWASH CONTROL 368 BYPASS 1.60 GPM # 08                       | 10   | 62      | •           |  |
| 25       | AV149B | 4001300 | EXTERNAL BACKWASH CONTROL 368 BYPASS 2.0 GPM # 09                        | 10   | 62      | •           |  |
| 26       | AW275  | 4001606 | KIT 3/4" BSP CONNECTORS  | 10   | 64      | •           |  |
| Non Vis. | AV185  | 3022042 | MIXING VALVE FOR 366-368 VALVE   | 10   | 62      | •           |  |





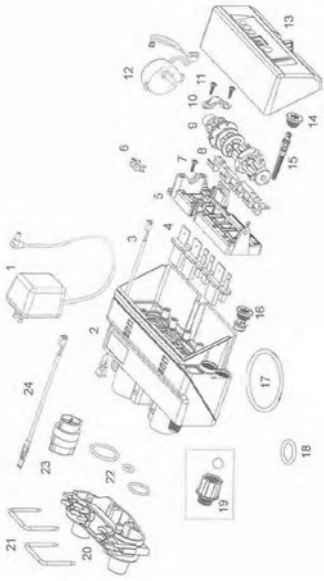
## 366/604 VALVE PARTS LIST



| Numero    | Ref   | P.N.    | Description  | Fam. | Sotto Fam. | Disp. Stock |  |
|-----------|-------|---------|--|------|------------|-------------|--|
| 1         | AW500 | 1000814 | EUROPEAN TRANSFORMER 230/12V   | 10   | 64         | •           |  |
| 1         | AW501 | 1000813 | BRITISH TRANSFORMER  | 10   | 64         | •           |  |
| 3         | AW260 | 3022576 | OPTIC SENSOR POWER CABLE   | 10   | 64         | •           |  |
| 4         | AW250 | 3007947 | VALVE DISCS KIT FOR 366 367 368  | 10   | 64         | •           |  |
| 6         | AW129 | 1235373 | OPTIC SENSOR P/N 1235373   | 10   | 64         | •           |  |
| 7         | AW174 | 3030450 | TOP PLATE SCREW NO 8x9/16"   | 10   | 64         | •           |  |
| 8         | AW252 | 3022017 | SPRING ONE PIECE 366 367 368   | 10   | 64         | •           |  |
| 9         | AW253 | 3022014 | CAMSHAFT FOR 366 367 368   | 10   | 64         | •           |  |
| 10        | CD100 | 1000589 | PILLOW BLOCK CAP   | 20   | 83         | •           |  |
| 11        | AW174 | 3030450 | TOP PLATE SCREW NO 8x9/16"   | 10   | 64         | •           |  |
| 12        | AW254 | 3026537 | MOTOR CABLE ASSEMBLY 366 367 368   | 10   | 64         | •           |  |
| 13        | AW280 | 4001737 | TIMER 604 12V 50-60HZ  | 10   | 64         | •           |  |
| 14        | AW107 | 1000269 | INJECTOR CAP/BACKWASH OPEN 00  | 10   | 64         | •           |  |
| 15        | AW266 | 3025326 | SCREEN ASSEMBLY INJECTOR E YELLOW WITH O-RING + FILTER 366 367 368       | 10   | 64         | •           |  |
| 15        | AW267 | 3025327 | SCREEN ASSEMBLY INJECTOR F PEACH WITH O-RING + FILTER 366 367 368        | 10   | 64         | •           |  |
| 15        | AW268 | 3025328 | SCREEN ASSEMBLY INJECTOR G TAN WITH O-RING + FILTER 366 367 368          | 10   | 64         | •           |  |
| 15        | AW269 | 3025329 | SCREEN ASSEMBLY INJECTOR H LIGHT PURPLE WITH O-RING + FILTER 366 367 368 | 10   | 64         | •           |  |
| 16        | AW115 | 1000221 | BRINE REFILL CONTROL ASSEMBLY .14GPM                                     | 10   | 64         | •           |  |
| 17        | AW172 | 3029969 | O-RING ADAPTER FOR PRESSURE VESSEL 2.1/2"                                | 10   | 64         | •           |  |
| 18        | AW169 | 3030918 | O-RING 1.05"   | 10   | 64         | •           |  |
| 19        | AV146 | 3031526 | EXTERNAL BACKWASH CONTROL PEANUT 0.9 GPM # 06                            | 10   | 62         | •           |  |
| 19        | AV147 | 3031527 | EXTERNAL BACKWASH CONTROL PEANUT 1.20 GPM # 07                           | 10   | 62         | •           |  |
| 19        | AV148 | 3031528 | EXTERNAL BACKWASH CONTROL PEANUT 1.60 GPM # 08                           | 10   | 62         | •           |  |
| 19        | AV149 | 3031529 | EXTERNAL BACKWASH CONTROL PEANUT 2.00 GPM # 09                           | 10   | 62         | •           |  |
| N.Visual. | AV185 | 3022042 | MIXING VALVE FOR 366-368 VALVE   | 10   | 62         | •           |  |



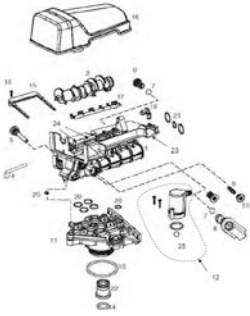
## 367/606 VALVE PARTS LIST



| Numero    | Ref   | P.N.    | Description  | Fam. | Sotto Fam. | Disp. Stock |  |
|-----------|-------|---------|--|------|------------|-------------|--|
| 1         | AW500 | 1000814 | EUROPEAN TRANSFORMER 230/12V   | 10   | 64         | •           |  |
| 1         | AW501 | 1000813 | BRITISH TRANSFORMER  | 10   | 64         | •           |  |
| 3         | AW260 | 3022576 | OPTIC SENSOR POWER CABLE   | 10   | 64         | •           |  |
| 4         | AW250 | 3007947 | VALVE DISCS KIT FOR 366 367 368  | 10   | 64         | •           |  |
| 6         | AW129 | 1235373 | OPTIC SENSOR P/N 1235373   | 10   | 64         | •           |  |
| 7         | AW174 | 3030450 | TOP PLATE SCREW NO 8x9/16"   | 10   | 64         | •           |  |
| 8         | AW252 | 3022017 | SPRING ONE PIECE 366 367 368   | 10   | 64         | •           |  |
| 9         | AW253 | 3022014 | CAMSHAFT FOR 366 367 368   | 10   | 64         | •           |  |
| 10        | CD100 | 1000589 | PILLOW BLOCK CAP   | 20   | 83         | •           |  |
| 11        | AW174 | 3030450 | TOP PLATE SCREW NO 8x9/16"   | 10   | 64         | •           |  |
| 12        | AW254 | 3026537 | MOTOR CABLE ASSEMBLY 366 367 368   | 10   | 64         | •           |  |
| 13        | AW281 | 4001738 | TIMER 606 12V 50-60HZ  | 10   | 64         | •           |  |
| 14        | AW107 | 1000269 | INJECTOR CAP/BACKWASH OPEN 00  | 10   | 64         | •           |  |
| 15        | AW266 | 3025326 | SCREEN ASSEMBLY INJECTOR E YELLOW WITH O-RING + FILTER 366 367 368       | 10   | 64         | •           |  |
| 15        | AW267 | 3025327 | SCREEN ASSEMBLY INJECTOR F PEACH WITH O-RING + FILTER 366 367 368        | 10   | 64         | •           |  |
| 15        | AW268 | 3025328 | SCREEN ASSEMBLY INJECTOR G TAN WITH O-RING + FILTER 366 367 368          | 10   | 64         | •           |  |
| 15        | AW269 | 3025329 | SCREEN ASSEMBLY INJECTOR H LIGHT PURPLE WITH O-RING + FILTER 366 367 368 | 10   | 64         | •           |  |
| 16        | AW115 | 1000221 | BRINE REFILL CONTROL ASSEMBLY .14GPM                                     | 10   | 64         | •           |  |
| 17        | AW172 | 3029969 | O-RING ADAPTER FOR PRESSURE VESSEL 2.1/2"                                | 10   | 64         | •           |  |
| 18        | AW169 | 3030918 | O-RING 1.05"   | 10   | 64         | •           |  |
| 19        | AV146 | 3031526 | EXTERNAL BACKWASH CONTROL PEANUT 0.9 GPM # 06                            | 10   | 62         | •           |  |
| 19        | AV147 | 3031527 | EXTERNAL BACKWASH CONTROL PEANUT 1.20 GPM # 07                           | 10   | 62         | •           |  |
| 19        | AV148 | 3031528 | EXTERNAL BACKWASH CONTROL PEANUT 1.60 GPM # 08                           | 10   | 62         | •           |  |
| 19        | AV149 | 3031529 | EXTERNAL BACKWASH CONTROL PEANUT 2.00 GPM # 09                           | 10   | 62         | •           |  |
| 20        | AW255 | 3027832 | MANIFOLD 3/4" BSPT INLET/OUTLET  | 10   | 64         | •           |  |
| 21        | AW256 | 3027831 | CLIP ATTACCO VALV. 367   | 10   | 64         | •           |  |
| 22        | AW257 | 3031825 | O-RING KIT MANIFOLD 367  | 10   | 64         | •           |  |
| 23        | AW258 | 3027839 | METER ASSEMBLY 367   | 10   | 64         | •           |  |
| 24        | AW259 | 3027837 | TURBINE CABLE 367  | 10   | 64         | •           |  |
| N.Visual. | AV185 | 3022042 | MIXING VALVE FOR 366-368 VALVE   | 10   | 62         | •           |  |



## 255-440i/460i/460TC VALVE EXPLODED VIEW & PARTS LIST



| Numero        | Ref    | P.N.    | Description  | Fam. | Sotto Fam. | Disp. Stock |  |
|---------------|--------|---------|--|------|------------|-------------|--|
|               | AW164A |         | 255/400 VALVE ASSEMBLY NEW STYLE PLATE W/O FLOW CONTROLS | 10   | 64         | •           |  |
| 1+17+19+23+24 | AW164A | 1000232 | 255/400 VALVE ASSEMBLY NEW STYLE PLATE W/O FLOW CONTROLS | 10   | 64         | •           |  |
| 2             | AW150  | 1031950 | STANDARD CAMSHAFT ONE PIECE                              | 10   | 64         |             |  |
| 2             | AW152  | 1033025 | CANSHAFT XS-LR EXTRA SALT                                | 10   | 64         |             |  |
| 2             | AW153  | 1033026 | CAMSHAFT LONG RINSE                                      | 10   | 64         |             |  |
| 2             | AW154  | 1032969 | CAMSHAFT WATER SAVER                                     | 10   | 64         |             |  |
| 3             | AW146A | 1030501 | CAMSHAFT BEARING FOR COVER Lid NEW STYLE                 | 10   | 64         |             |  |
| 4             | AW185  | 1031391 | TIMER LOCKING PIN  | 10   | 64         | •           |  |
| 5             | AW125  | 1000226 | SCREEN/CAP ASSEMBLY W/O-RING                             | 10   | 64         | •           |  |
| 6             | AW100  | 1000209 | BACKWASH CONTROL 07 WITH O-RING                          | 10   | 64         | •           |  |
| 6             | AW101  | 1000210 | BACKWASH CONTROL 08 WITH O-RING                          | 10   | 64         | •           |  |
| 6             | AW102  | 1000211 | BACKWASH CONTROL 09 WITH O-RING                          | 10   | 64         | •           |  |
| 6             | AW103  | 1000212 | BACKWASH CONTROL 10 WITH O-RING                          | 10   | 64         | •           |  |
| 6             | AW104  | 1000213 | BACKWASH CONTROL 12 WITH O-RING                          | 10   | 64         | •           |  |
| 6             | AW105  | 1000214 | BACKWASH CONTROL 13 WITH O-RING                          | 10   | 64         | •           |  |
| 6             | AW106  | 1000215 | BACKWASH CONTROL 14 WITH O-RING                          | 10   | 64         | •           |  |
| 7             | AW139  | 1030502 | FLOW CONTROL BALL  | 10   | 64         | •           |  |
| 8             | AW110  | 1034261 | BRINE REFILL CONTROL 10 Lbs                              | 10   | 64         | •           |  |
| 8             | AW111  | 1034263 | BRINE REFILL CONTROL 19 Lbs                              | 10   | 64         | •           |  |
| 9             | AW130  | 1032970 | INJECTOR A WHITE WITH O-RING                             | 10   | 64         | •           |  |
| 9             | AW131  | 1032971 | INJECTOR B BLUE WITH O-RING                              | 10   | 64         | •           |  |
| 9             | AW132  | 1032972 | INJECTOR C RED WITH O-RING                               | 10   | 64         | •           |  |
| 10            | AW107  | 1000269 | INJECTOR CAP/BACKWASH OPEN 00                            | 10   | 64         | •           |  |

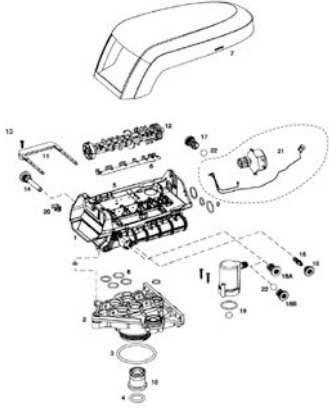


## 255-440i/460i/460TC VALVE EXPLODED VIEW & PARTS LIST

| Numero      | Ref    | P.N.    | Description   | Fam. | Sotto Fam. | Disp. Stock |  |
|-------------|--------|---------|---|------|------------|-------------|--|
| 11          | AW170  | 1033784 | ADAPTER PRESSURE VESSEL 2.1/2" FOR TUBE 1.05"           | 10   | 64         | •           |  |
| 12          | AW190  | 1032417 | KIT AIR-CHECK 1/4" MALE                                 | 10   | 64         | •           |  |
| 13          | AW186  | 3029969 | NUT 3/4" - 1"   | 10   | 64         | •           |  |
| 14          | AW169  | 3030918 | O-RING 1.05"  | 10   | 64         | •           |  |
| 15          | AW173  | 1031405 | LOCKING BAR   | 10   | 64         | •           |  |
| 16          | AW174  | 3030450 | TOP PLATE SCREW NO 8x9/16"                              | 10   | 64         | •           |  |
| 17          | AW163  | 1235341 | SPRING ONE PIECE 255 VALVE P/N 1235341                  | 10   | 64         | •           |  |
| N.Visual.   | AW181  | 1001580 | VALVE DISC SPRING                                       | 10   | 64         | •           |  |
| 18          | AW141A | 3019870 | COVER FOR 255-263-268 SERIE 400 ( I-Lid ) NEW STYLE     | 10   | 64         |             |  |
| 19          | AW146A | 3019873 | CAMSHAFT BEARING FOR COVER Lid NEW STYLE                | 10   | 64         |             |  |
| N.Visual.   | AW191  | 1033066 | NEW TO OLD AIR CHECK ADAPTER                            | 10   | 64         | •           |  |
| 20          | AW195  | 1001404 | O-RING SET FOR 255 VALVE TOP/BOTTOM COUPLING            | 10   | 64         | •           |  |
| 21          | AW196  | 1040459 | O-RING SET*   | 10   | 64         | •           |  |
| N.Visual.   | AW197  |         | O-RING SET W/SCREWS AND NUTS*                           | 10   | 64         | •           |  |
| 22          | AW171  | 1001986 | 13/16 RUBBER INSERT                                     | 10   | 64         | •           |  |
| 23          | AW160A | 3019871 | NEW STYLE SERIES 400 TOP PLATE FOR VALVE 255            | 10   | 64         | •           |  |
| 24          | AW180  | 1000250 | VALVE DISCS KIT FOR 255                                 | 10   | 64         | •           |  |
| 25          | AW140  | 1030528 | AIR-CHECK BALL  | 10   | 64         | •           |  |
| N.Visual.   | AV037  | 1239760 | BLENDING KIT SCREW FOR 700 SERIES AND 255/400 NEW STYLE | 10   | 62         | •           |  |
| N.Visual.   | AV059  | 1239753 | TOP PLATE SWITCH KIT 253-5/263-8 0,1A                   | 10   | 62         | •           |  |
| N.Visual.   | AV069  | 1239754 | TOP PLATE SWITCH KIT 253-5/263-8 5A                     | 10   | 62         | •           |  |
| 17+18+19+23 | AW211  | 3034598 | UPGRADE KIT 255 SERIE 400 NEW STYLE                     | 10   | 64         |             |  |



## VALVE LOGIX 255 PARTS LIST



| Numero    | Ref   | P.N.    | Description   | Fam. | Subfam. | Disp. Stock |  |
|-----------|-------|---------|---|------|---------|-------------|--|
| 1+5+6     | AW168 | 1244650 | 255/700 VALVE ASSEMBLY W/O FLOW CONTROLS                | 10   | 64      | •           |  |
| 2         | AW170 | 1033784 | ADAPTER PRESSURE VESSEL 2.1/2" FOR TUBE 1.05"           | 10   | 64      | •           |  |
| 3         | AW172 | 3029969 | O-RING ADAPTER FOR PRESSURE VESSEL 2.1/2"               | 10   | 64      | •           |  |
| 4         | AW169 | 3030918 | O-RING 1.05"  | 10   | 64      | •           |  |
| 5         | AW162 | 1235340 | TOP PLATE 253/255 LOGIX P/N 1235341                     | 10   | 64      | •           |  |
| 6         | AW163 | 1235341 | SPRING ONE PIECE 255 VALVE P/N 1235341                  | 10   | 64      | •           |  |
| 7         | AW148 | 1236246 | 253-5/263-8 LOGIX STANDARD COVER P/N 1236246            | 10   | 64      |             |  |
| N.Visual. | AW145 | 1242234 | 255 LOGIX SLIM COVER                                    | 10   | 64      | •           |  |
| 8         | AW195 | 1001404 | O-RING SET FOR 255 VALVE TOP/BOTTOM COUPLING            | 10   | 64      | •           |  |
| 9         | AW196 | 1040459 | O-RING SET*   | 10   | 64      | •           |  |
| 10        | AW171 | 1001986 | 13/16 RUBBER INSERT                                     | 10   | 64      | •           |  |
| N.Visual. | AW180 | 1000250 | VALVE DISCS KIT FOR 255                                 | 10   | 64      | •           |  |
| N.Visual. | AV037 | 1239760 | BLENDING KIT SCREW FOR 700 SERIES AND 255/400 NEW STYLE | 10   | 62      | •           |  |
| 11        | AW173 | 1031405 | LOCKING BAR   | 10   | 64      | •           |  |
| 12        | AW149 | 1235353 | CAMSHAFT 253/255 LOGIX P/N 1235353                      | 10   | 64      | •           |  |
| 13        | AW174 | 3030450 | TOP PLATE SCREW NO 8x9/16"                              | 10   | 64      | •           |  |
| 14        | AW125 | 1000226 | SCREEN/CAP ASSEMBLY W/O-RING                            | 10   | 64      | •           |  |
| 15        | AW133 | 1035730 | INJECTOR E YELLOW WITH O-RING                           | 10   | 64      | •           |  |
| 15        | AW134 | 1035731 | INJECTOR F PEACH WITH O-RING                            | 10   | 64      | •           |  |
| 15        | AW135 | 1035732 | INJECTOR G TAN WITH O-RING                              | 10   | 64      | •           |  |
| 15        | AW136 | 1035733 | INJECTOR H LIGHT PURPLE WITH O-RING                     | 10   | 64      | •           |  |
| 15        | AW137 | 1035734 | INJECTOR J LIGHT BLUE WITH O-RING                       | 10   | 64      | •           |  |
| 15        | AW138 | 1035735 | INJECTOR K PINK WITH O-RING                             | 10   | 64      | •           |  |
| 15        | AW348 | 1035736 | INJECTOR L ORANGE WITH O-RING P/N 1035736               | 10   | 64      | •           |  |
| 15        | AW349 | 1035737 | INJECTOR M BROWN WITH O-RING P/N 1035737                | 10   | 64      | •           |  |
| 15        | AW350 | 1035738 | INJECTOR N GREEN WITH O-RING P/N 1035738                | 10   | 64      | •           |  |
| 15        | AW351 | 1035739 | INJECTOR Q PURPLE WITH O-RING P/N 1035739               | 10   | 64      | •           |  |
| 15        | AW352 | 1035884 | INJECTOR R GREY WITH O-RING P/N 1035884                 | 10   | 64      | •           |  |

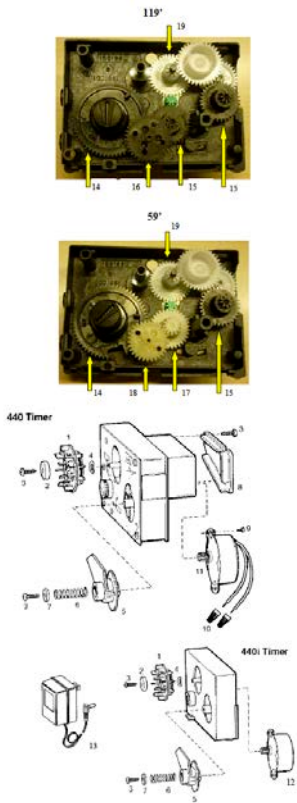


## VALVE LOGIX 255 EXPLODED VIEW AND PARTS LIST

| Numero    | Ref    | P.N.    | Description  | Fam. | Subfam. | Disp. Stock |  |
|-----------|--------|---------|--|------|---------|-------------|--|
| 16        | AW107  | 1000269 | INJECTOR CAP/BACKWASH OPEN 00                              | 10   | 64      | •           |  |
| 17        | AW100  | 1000209 | BACKWASH CONTROL 07 WITH O-RING                            | 10   | 64      | •           |  |
| 17        | AW101  | 1000210 | BACKWASH CONTROL 08 WITH O-RING                            | 10   | 64      | •           |  |
| 17        | AW102  | 1000211 | BACKWASH CONTROL 09 WITH O-RING                            | 10   | 64      | •           |  |
| 17        | AW103  | 1000212 | BACKWASH CONTROL 10 WITH O-RING                            | 10   | 64      | •           |  |
| 17        | AW104  | 1000213 | BACKWASH CONTROL 12 WITH O-RING                            | 10   | 64      | •           |  |
| 17        | AW105  | 1000214 | BACKWASH CONTROL 13 WITH O-RING                            | 10   | 64      | •           |  |
| 17        | AW106  | 1000215 | BACKWASH CONTROL 14 WITH O-RING                            | 10   | 64      | •           |  |
| 18B       | AW118  | 1243511 | BRINE REFILL CONTROL .33 GPM                               | 10   | 64      | •           |  |
| 19        | AW190  | 1032417 | KIT AIR-CHECK 1/4" MALE                                    | 10   | 64      | •           |  |
| 20        | AW129  | 1235373 | OPTIC SENSOR P/N 1235373                                   | 10   | 64      | •           |  |
| 21        | AW126  | 1238861 | MOTOR W/SPACER AND PINION AND CABLE SERIES 700 P/N 1238861 | 10   | 64      | •           |  |
| 22        | AW139  | 1030502 | FLOW CONTROL BALL  | 10   | 64      | •           |  |
| N.Visual. | AW191  | 1033066 | NEW TO OLD AIR CHECK ADAPTER                               | 10   | 64      | •           |  |
| N.Visual. | AW140  | 1030528 | AIR-CHECK BALL   | 10   | 64      | •           |  |
| N.Visual. | AW128  | 1035446 | TURBINE CABLE 255-268-278/700                              | 10   | 64      | •           |  |
| N.Visual. | AX040  | 1244336 | KIT CHLORINE GENERATOR 255/268 LOGIX                       | 10   | 70      | •           |  |
| N.Visual. | AW124  | 3029962 | MOTOR LOCKING PIN P/N 3029962                              | 10   | 64      | •           |  |
| N.Visual. | AV057  | 1239711 | FRONT MOUNT SWITCH KIT 253-5/263-8 0,1A                    | 10   | 62      | •           |  |
| N.Visual. | AV058  | 1239752 | FRONT MOUNT SWITCH KIT 253-5/263-8 5A                      | 10   | 62      | •           |  |
| N.Visual. | AV059  | 1239753 | TOP PLATE SWITCH KIT 253-5/263-8 0,1A                      | 10   | 62      | •           |  |
| N.Visual. | AV069  | 1239754 | TOP PLATE SWITCH KIT 253-5/263-8 5A                        | 10   | 62      | •           |  |
| N.Visual. | AV036  | 1263718 | KIT REMOTE LOGIX CONTROL W/CABLE LG.32 P/N 1263718         | 10   | 62      |             |  |
| N.Visual. | AV036A | 1256257 | KIT REMOTE LOGIX CONTROL W/TERMINAL BLOCKS P/N 1256257     | 10   | 62      |             |  |
| N.Visual. | AV023  | 1242411 | EXTENSION CORD Lg=50cm FOR CAB. P/N 1242411                | 10   | 62      |             |  |
| N.Visual. | AV023A | 1239979 | 4 PIN CONNECTOR CABLE START 700 SERIES                     | 10   | 62      | •           |  |
| N.Visual. | AW500  | 1000814 | EUROPEAN TRANFORMER 230/12V                                | 10   | 64      | •           |  |
| N.Visual. | AW501  | 1000813 | BRITISH TRANFORMER   | 10   | 64      | •           |  |



## SERIES 400 TIMER EXPLODED VIEW (440i-460i-460TC)

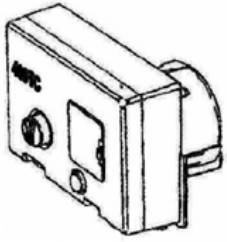


| Numero    | Ref   | P.N.    | Description                                | Fam. | Sotto Fam. | Disp. Stock |  |
|-----------|-------|---------|--|------|------------|-------------|--|
| 1         | AW400 | 1031740 | 6 DAYS KIT DISCS FOR 440-440i              | 10   | 64         |             |  |
| 1         | AW401 | 1031742 | 7 DAYS KIT DISCS FOR 440-440i              | 10   | 64         | •           |  |
| 3         | AW451 | 3030002 | MOTOR CAP SCREW                            | 10   | 64         |             |  |
| 4         | AW412 | 3030003 | BOWED WASHER P/N 3030003                   | 10   | 64         |             |  |
| 5         | AW402 | 1031756 | TRIPPER ARM ASSEMBLY 440-440i              | 10   | 64         | •           |  |
| 6         | AW413 | 1030830 | SPRING P/N 1030830                         | 10   | 64         |             |  |
| 10        | AW410 | 1007416 | WIRE NUT P/N 1007483                       | 10   | 64         |             |  |
| 11        | AW420 | 1000377 | 230V-50HZ MOTOR FOR 440-450                | 10   | 64         |             |  |
| 11        | AW421 | 3003134 | MOTORE 24V.50 HZ PER 440-450               | 10   | 64         |             |  |
| 12        | AW433 | 1001569 | 12V-60HZ MOTOR FOR 440i                    | 10   | 64         |             |  |
| 12        | AW424 | 1000098 | 9V-50HZ MOTOR FOR 460i-460tc               | 10   | 64         | •           |  |
| 12        | AW434 |         | 9V-60HZ MOTOR FOR 460i-460tc               | 10   | 64         | •           |  |
| 13        | AW500 | 1000814 | EUROPEAN TRANSFORMER 230/12V               | 10   | 64         | •           |  |
| 13        | AW501 | 1000813 | BRITISH TRANSFORMER                        | 10   | 64         | •           |  |
| 14        | AW405 | 1001833 | OUTPUT CONNECTOR W/BLACK START BUTTON 440i | 10   | 64         |             |  |
| N.Visual. | AW406 | 1001000 | BLACK START BUTTON 460i-460 tc             | 10   | 64         |             |  |
| N.Visual. | AW453 | 1005120 | CABLE PRESS W/CABLE (440)                  | 10   | 64         |             |  |
| 15        | AW454 | 1031554 | BLACK GEAR 119' A(INF.# 8)                 | 10   | 64         |             |  |
| 16        | AW455 | 1030844 | BLACK GEAR 119' B                          | 10   | 64         |             |  |
| 17        | AW456 | 1030842 | WHITE GEAR 59' A (INF.# 13)                | 10   | 64         |             |  |
| 18        | AW457 | 1030843 | WHITE GEAR 59' B                           | 10   | 64         |             |  |
| N.Visual. | AW458 | 1031555 | BLACK GEAR 90' A (INF.# 10)                | 10   | 64         |             |  |
| N.Visual. | AW459 | 1030845 | BLACK GEAR 90' B                           | 10   | 64         |             |  |
| 19        | AW449 | 1030841 | WHITE GEAR FOR TIMER 440I P/N 1030841      | 10   | 64         |             |  |

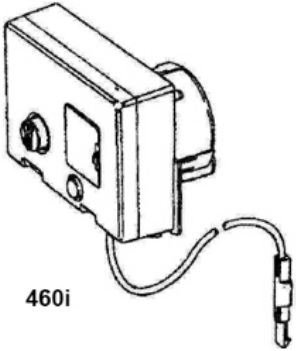




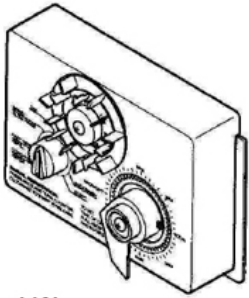
## SERIES 400 TIMER LIST



460tc



460i

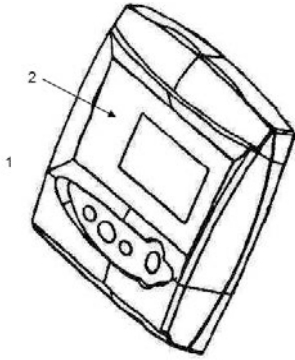


440i

| Numero | Ref   | P.N.          | Description                                   | Fam. | Subfam. | Disp. Stock |  |
|--------|-------|---------------|---|------|---------|-------------|--|
| 1      | AW460 | 1051826       | TIMER 440i 7DAYS 119' 12V.50HZ ITA            | 10   | 64      | •           |  |
| 1      | AW462 | 1051827       | TIMER 440i 7DAYS 59' 12V.50HZ ITA             | 10   | 64      | •           |  |
| 1      | AW468 | 3031461       | TIMER 440i 7DAYS 119'12V.50 HZ FOR FILTRATION | 10   | 64      | •           |  |
| 1      | AW474 | 1051828       | TIMER 440i 7DAYS 119' 12V.50HZ E.             | 10   | 64      | •           |  |
| 1      | AW475 |               | TIMER 440i 6DAYS 119' 12V.50HZ E.             | 10   | 64      |             |  |
| 1      | AW476 | 44ILE2L57 R59 | TIMER 440i 7DAYS 59' 12V.50HZ E.              | 10   | 64      | •           |  |
| 1      | AW477 |               | TIMER 440i 6DAYS 59' 12V.50HZ E.              | 10   | 64      |             |  |
| 2      | AW482 | 4000610       | TIMER 460tc 118' 12V.50HZ SYM                 | 10   | 64      | •           |  |
| 2      | AW483 | 4000611       | TIMER 460tc 59' 12V.50HZ SYM                  | 10   | 64      | •           |  |
| 2      | AW484 |               | TIMER 460tc 118' 12V.60HZ SYM US              | 10   | 64      |             |  |
| 2      | AW485 |               | TIMER 460tc 59' 12V.60HZ SYM US               | 10   | 64      |             |  |
| 2      | AW480 | 1030007       | TIMER 460i 118' 12V.50HZ SYM                  | 10   | 64      | •           |  |
| 2      | AW481 | 1051811       | TIMER 460i 59' 12V.50HZ SYM                   | 10   | 64      | •           |  |
| 2      | AW487 |               | TIMER 460i 59' 12V.60HZ SYM US                | 10   | 64      |             |  |



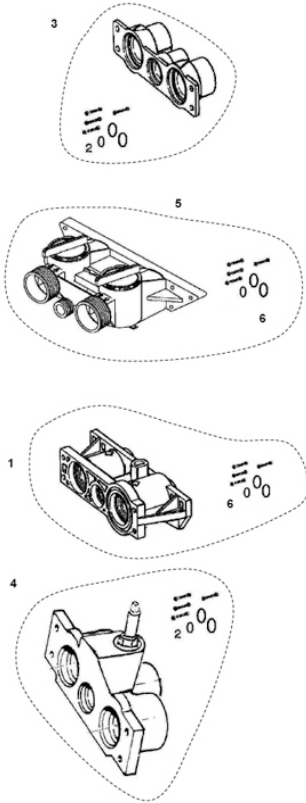
## SERIES 700 TIMER LIST



| Numero    | Ref    | P.N.    | Description                                | Fam. | Subfam. | Disp. Stock |  |
|-----------|--------|---------|--|------|---------|-------------|--|
| 1         | AW511E |         | TIMER 740C W/CHECK SALT 12V 50/60HZ SYMBOL | 10   | 64      | •           |  |
| 1         | AW514E |         | TIMER 760C W/CHECK SALT 12V 50/60HZ SYMBOL | 10   | 64      | •           |  |
| 1         | AW517E |         | TIMER 740F W/CHECK SALT 12V 50/60HZ SYMBOL | 10   | 64      | •           |  |
| 1         | AW524E |         | TIMER 760F W/CHECK SALT 12V 50/60HZ SYMBOL | 10   | 64      | •           |  |
| 1         | AW512E |         | TIMER 742C W/CHECK SALT 12V 50/60HZ SYMBOL | 10   | 64      | •           |  |
| 1         | AW515E |         | TIMER 762C W/CHECK SALT 12V 50/60HZ SYMBOL | 10   | 64      | •           |  |
| 1         | AW518E |         | TIMER 742F W/CHECK SALT 12V 50/60HZ SYMBOL | 10   | 64      | •           |  |
| 1         | AW525E |         | TIMER 762F W/CHECK SALT 12V 50/60HZ SYMBOL | 10   | 64      | •           |  |
| 1         | AW505E |         | TIMER 764C W/CHECK SALT 12V 50/60HZ SYMBOL | 10   | 64      | •           |  |
| N.Visual. | AW504  | 1254886 | SLAVE CONTROLLER P/N 1254886               | 10   | 64      | •           |  |



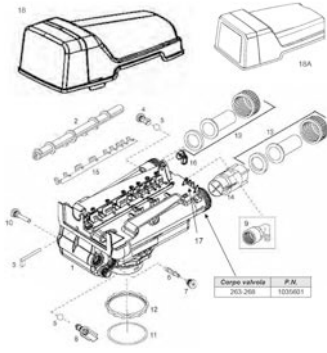
## METER, MANIFOLD, 256 BYPASS SPARE PARTS



| Numero    | Ref    | P.N.    | Description   | Fam. | Subfam. | Disp. Stock |  |
|-----------|--------|---------|---|------|---------|-------------|--|
| 1         | AW201  | 1032350 | METER ADAPTER KIT   | 10   | 64      | •           |  |
| 2         | AW197  |         | O-RING SET W/SCREWS AND NUTS*                             | 10   | 64      | •           |  |
| 3         | AV015  |         | MANIFOLD BRASS FEMALE 3/4" GAS                            | 10   | 62      | •           |  |
| 3         | AV016  |         | MANIFOLD BRASS FEMALE 1" GAS                              | 10   | 62      | •           |  |
| 3         | AV010  |         | MANIFOLD KIT BRASS FEMALE 3/4" GAS*                       | 10   | 62      | •           |  |
| 3         | AV011  |         | MANIFOLD KIT BRASS FEMALE 1" GAS*                         | 10   | 62      | •           |  |
| N.Visual. | AV013  | 1040283 | MANIFOLD KIT NORYL FEMALE 3/4" BSPT*                      | 10   | 62      | •           |  |
| 4         | AV006  |         | MANIFOLD 3/4" GAS MIXER                                   | 10   | 62      | •           |  |
| 4         | AV017  |         | MANIFOLD BRASS FEMALE 1" GAS MIXER                        | 10   | 62      | •           |  |
| N.Visual. | AV007  |         | MANIFOLD KIT 3/4" GAS BRASS MIXER*                        | 10   | 62      | •           |  |
| N.Visual. | AV012  |         | MANIFOLD KIT BRASS FEMALE 1" GAS MIXER*                   | 10   | 62      | •           |  |
| N.Visual. | AV001  |         | MANIFOLD 3/4" MALE WITH TURBINE P/N 1234260               | 10   | 62      | •           |  |
| N.Visual. | AV001A |         | MANIFOLD 255 3/4" BSP MALE NORYL + KIT P/N 1234256        | 10   | 62      | •           |  |
| N.Visual. | AV022  |         | MANIFOLD 1" MALE WITH TURBINE + KIT P/N 1234259           | 10   | 62      | •           |  |
| N.Visual. | AV022A |         | MANIFOLD 255 1" BSP MALE NORYL + KIT P/N 1234255          | 10   | 62      | •           |  |
| 5         | AV026  | 1040769 | BY-PASS 256 W/O-RING, SCREWS,NUTS                         | 10   | 62      | •           |  |
| N.Visual. | AW202  | 1033057 | FLOW METER 255-168  | 10   | 64      |             |  |
| 6         | AW197N | 1040524 | O-RING DET W/SCREWS & NUTS FOR NORYL MANIFOLD P/N 1040524 | 10   | 64      | •           |  |



## 263-268-268F A/400 VALVE EXPLODED VIEW



| Numero        | Ref   | P.N.    | Description                                   | Fam. | Subfam. | Disp. Stock |  |
|---------------|-------|---------|---|------|---------|-------------|--|
| 1+12+15+16+17 | AW166 | 1263715 | 263-268/400 VALVE ASSEMBLY W/O FLKOW CONTROLS | 10   | 64      | •           |  |
| 2             | AW315 | 1035625 | CAMSHAFT FOR 268 STD                          | 10   | 64      |             |  |
| 2             | AW316 | 1035627 | CAMSHAFT FOR 268 XS                           | 10   | 64      |             |  |
| 2             | AW317 | 1030376 | CAMSHAFT FOR 268 FA                           | 10   | 64      |             |  |
| 2             | AW318 | 1035624 | CAMSHAFT FOR 263                              | 10   | 64      |             |  |
| 3             | AW185 | 1031391 | TIMER LOCKING PIN                             | 10   | 64      | •           |  |
| 4             | AW100 | 1000209 | BACKWASH CONTROL 07 WITH O-RING               | 10   | 64      | •           |  |
| 4             | AW101 | 1000210 | BACKWASH CONTROL 08 WITH O-RING               | 10   | 64      | •           |  |
| 4             | AW102 | 1000211 | BACKWASH CONTROL 09 WITH O-RING               | 10   | 64      | •           |  |
| 4             | AW103 | 1000212 | BACKWASH CONTROL 10 WITH O-RING               | 10   | 64      | •           |  |
| 4             | AW104 | 1000213 | BACKWASH CONTROL 12 WITH O-RING               | 10   | 64      | •           |  |
| 4             | AW105 | 1000214 | BACKWASH CONTROL 13 WITH O-RING               | 10   | 64      | •           |  |
| 4             | AW106 | 1000215 | BACKWASH CONTROL 14 WITH O-RING               | 10   | 64      | •           |  |
| 5             | AW139 | 1030502 | FLOW CONTROL BALL                             | 10   | 64      | •           |  |
| 6             | AW130 | 1032970 | INJECTOR A WHITE WITH O-RING                  | 10   | 64      | •           |  |
| 6             | AW131 | 1032971 | INJECTOR B BLUE WITH O-RING                   | 10   | 64      | •           |  |
| 6             | AW132 | 1032972 | INJECTOR C RED WITH O-RING                    | 10   | 64      | •           |  |
| 7             | AW107 | 1000269 | INJECTOR CAP/BACKWASH OPEN 00                 | 10   | 64      | •           |  |
| N.Visual.     | AW306 | 1032978 | PLUGGED INJECTOR ASSEMBLY 263                 | 10   | 64      |             |  |
| 8             | AW110 | 1034261 | BRINE REFILL CONTROL 10 Lbs                   | 10   | 64      | •           |  |
| 8             | AW111 | 1034263 | BRINE REFILL CONTROL 19 Lbs                   | 10   | 64      | •           |  |
| 8             | AW308 | 1030334 | PLUGGED REFILL CONTROL 263                    | 10   | 64      | •           |  |
| 9             | AV175 | 1002449 | ELBOW DRIAN FITTING 3/4" F                    | 10   | 62      | •           |  |

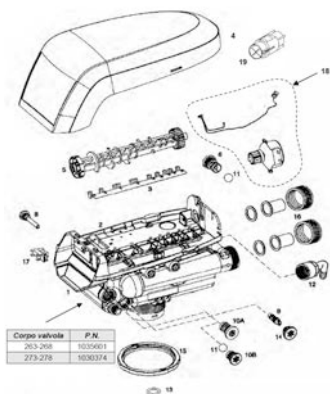


## 263-268-268F A/400 VALVE EXPLODED VIEW

| Numero    | Ref    | P.N.    | Description  | Fam. | Subfam. | Disp. Stock |  |
|-----------|--------|---------|--|------|---------|-------------|--|
| 10        | AW125  | 1000226 | SCREEN/CAP ASSEMBLY W/O-RING                               | 10   | 64      | •           |  |
| 11        | AW172  | 3029969 | O-RING ADAPTER FOR PRESSURE VESSEL 2.1/2"                  | 10   | 64      | •           |  |
| 12        | AW319  | 1035622 | TANK RING 2"1/2 263-268 P/N 1035623                        | 10   | 64      | •           |  |
| 13        | AV030B |         | MANIFOLD KIT BRASS MALE 3/4" GAS*                          | 10   | 62      | •           |  |
| 13        | AV031B |         | MANIFOLD KIT BRASS MALE " GAS*                             | 10   | 62      | •           |  |
| 13        | AV032  | 1001615 | MANIFOLD KIT PVC D,32                                      | 10   | 62      | •           |  |
| 13        | AV038  |         | MANIFOLD KIT BRASS MALE 1 1/4" GAS*                        | 10   | 62      | •           |  |
| 14        | AW328  | 1033444 | TURBINE ASSEMBLY   | 10   | 64      | •           |  |
| 15        | AW360  | 1235339 | VALVE DISC SPRING ONE PIECE 263/268 LOGIX<br>P/N 1235339   | 10   | 64      | •           |  |
| N.Visual. | AW181  | 1001580 | VALVE DISC SPRING  | 10   | 64      | •           |  |
| 16        | AW146A | 3019873 | CAMSHAFT BEARING FOR COVER Lid NEW STYLE                   | 10   | 64      |             |  |
| 18        | AW141A | 3019870 | COVER FOR 255-263-268 SERIE 400 ( I-Lid )<br>NEW STYLE     | 10   | 64      |             |  |
| N.Visual. | AW329  | 1041174 | VALVE DISCS KIT FOR 263-268-273-278                        | 10   | 64      | •           |  |
| N.Visual. | AW309  | 1035778 | CAMSHAFT CLIP  | 10   | 64      |             |  |
| N.Visual. | AV037  | 1239760 | BLENDING KIT SCREW FOR 700 SERIES AND<br>255/400 NEW STYLE | 10   | 62      | •           |  |
| N.Visual. | AV065  | 1041116 | MICRO-SWITCH KIT FOR 268 0.1 A                             | 10   | 62      |             |  |
| N.Visual. | AV066  | 1041117 | MICRO-SWITCH KIT FOR 268 5.0 A                             | 10   | 62      |             |  |
| N.Visual. | AV039  |         | BY-PASS 1265 KIT BRASS 1" GAS*                             | 10   | 62      | •           |  |
| N.Visual. | AV040  |         | BY-PASS KIT 1265 BRASS 1 1/4" GAS*                         | 10   | 62      | •           |  |
| N.Visual. | AW174  | 3030450 | TOP PLATE SCREW NO 8x9/16"                                 | 10   | 64      | •           |  |



## LOGIX 263-268-278 VALVE EXPLODED VIEW



| Numero   | Ref   | P.N.    | Description   | Fam. | Subfam. | Disp. Stock |  |
|----------|-------|---------|---|------|---------|-------------|--|
| 1+2+3+13 | AW362 | 1255104 | 263-268/700 VALVE ASSEMBLY W/O FLOW CONTROLS          | 10   | 64      | •           |  |
| 1+2+3+13 | AW363 | 1255105 | 278 VALVE ASSMBLY W/O FLOW CONTROLS                   | 10   | 64      | •           |  |
| 2        | AW359 | 1235338 | TOP PLATE 263/268/278 LOGIX P/N 1235338               | 10   | 64      | •           |  |
| 3        | AW360 | 1235339 | VALVE DISC SPRING ONE PIECE 263/268 LOGIX P/N 1235339 | 10   | 64      | •           |  |
| 4        | AW148 | 1236246 | 253-5/263-8 LOGIX STANDARD COVER P/N 1236246          | 10   | 64      |             |  |
| 5        | AW358 | 1235352 | CAMSHAFT 263/268 LOGIX P/N 1235352                    | 10   | 64      | •           |  |
| 5        | AW361 | 1237405 | CAMSHAFT 278 LOGIX P/N 1237405                        | 10   | 64      | •           |  |
| 6        | AW100 | 1000209 | BACKWASH CONTROL 07 WITH O-RING                       | 10   | 64      | •           |  |
| 6        | AW101 | 1000210 | BACKWASH CONTROL 08 WITH O-RING                       | 10   | 64      | •           |  |
| 6        | AW102 | 1000211 | BACKWASH CONTROL 09 WITH O-RING                       | 10   | 64      | •           |  |
| 6        | AW103 | 1000212 | BACKWASH CONTROL 10 WITH O-RING                       | 10   | 64      | •           |  |
| 6        | AW104 | 1000213 | BACKWASH CONTROL 12 WITH O-RING                       | 10   | 64      | •           |  |
| 6        | AW105 | 1000214 | BACKWASH CONTROL 13 WITH O-RING                       | 10   | 64      | •           |  |
| 6        | AW106 | 1000215 | BACKWASH CONTROL 14 WITH O-RING                       | 10   | 64      | •           |  |
| 6        | AV044 | 1030355 | EXTERNAL BACKWASH 05 GPM                              | 10   | 62      | •           |  |
| 6        | AV045 | 1030356 | EXTERNAL BACKWASH 06 GPM                              | 10   | 62      | •           |  |
| 6        | AV046 | 1030357 | EXTERNAL BACKWASH 07 GPM                              | 10   | 62      | •           |  |
| 6        | AV047 | 1030358 | EXTERNAL BACKWASH 08 GPM                              | 10   | 62      | •           |  |
| 6        | AV048 | 1030359 | EXTERNAL BACKWASH 09 GPM                              | 10   | 62      | •           |  |



## PARTS LIST VALVE LOGIX 263-268-278

| Numero | Ref   | P.N.    | Description                               | Fam. | Subfam. | Disp. Stock |  |
|--------|-------|---------|---|------|---------|-------------|--|
| 6      | AV049 | 1030360 | EXTERNAL BACKWASH 10 GPM                  | 10   | 62      | •           |  |
| 6      | AV141 | 1000406 | EXTERNAL BACKWASH CONTROL 12 GPM          | 10   | 62      | •           |  |
| 6      | AV142 | 1000407 | EXTERNAL BACKWASH CONTROL 15 GPM          | 10   | 62      | •           |  |
| 6      | AV144 | 1000409 | EXTERNAL BACKWASH CONTROL 20 GPM          | 10   | 62      | •           |  |
| 8      | AW125 | 1000226 | SCREEN/CAP ASSEMBLY W/O-RING              | 10   | 64      | •           |  |
| 9      | AW133 | 1035730 | INJECTOR E YELLOW WITH O-RING             | 10   | 64      | •           |  |
| 9      | AW134 | 1035731 | INJECTOR F PEACH WITH O-RING              | 10   | 64      | •           |  |
| 9      | AW135 | 1035732 | INJECTOR G TAN WITH O-RING                | 10   | 64      | •           |  |
| 9      | AW136 | 1035733 | INJECTOR H LIGHT PURPLE WITH O-RING       | 10   | 64      | •           |  |
| 9      | AW137 | 1035734 | INJECTOR J LIGHT BLUE WITH O-RING         | 10   | 64      | •           |  |
| 9      | AW138 | 1035735 | INJECTOR K PINK WITH O-RING               | 10   | 64      | •           |  |
| 9      | AW348 | 1035736 | INJECTOR L ORANGE WITH O-RING P/N 1035736 | 10   | 64      | •           |  |
| 9      | AW349 | 1035737 | INJECTOR M BROWN WITH O-RING P/N 1035737  | 10   | 64      | •           |  |
| 9      | AW350 | 1035738 | INJECTOR N GREEN WITH O-RING P/N 1035738  | 10   | 64      | •           |  |
| 9      | AW351 | 1035739 | INJECTOR Q PURPLE WITH O-RING P/N 1035739 | 10   | 64      | •           |  |
| 9      | AW352 | 1035884 | INJECTOR R GREY WITH O-RING P/N 1035884   | 10   | 64      | •           |  |
| 10B    | AW118 | 1243511 | BRINE REFILL CONTROL .33 GPM              | 10   | 64      | •           |  |
| 10B    | AW327 | 1000519 | BRINE REFILL CONTROL 1.3 GPM P/N 1000519  | 10   | 64      | •           |  |
| 11     | AW139 | 1030502 | FLOW CONTROL BALL                         | 10   | 64      | •           |  |
| 11     | AW308 | 1030334 | PLUGGED REFILL CONTROL 263                | 10   | 64      | •           |  |
| 12     | AV175 | 1002449 | ELBOW DRIAN FITTING 3/4" F                | 10   | 62      | •           |  |
| 13     | AW169 | 3030918 | O-RING 1.05"                              | 10   | 64      | •           |  |
| 14     | AW107 | 1000269 | INJECTOR CAP/BACKWASH OPEN 00             | 10   | 64      | •           |  |



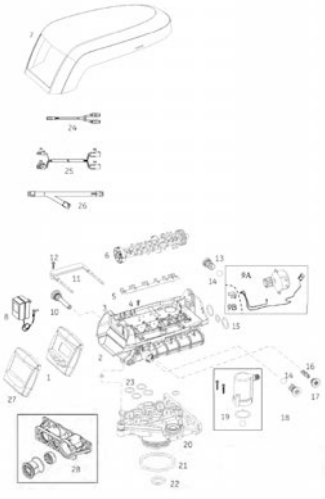


## PARTS LIST VALVE LOGIX 263-268-278

| Numero    | Ref    | P.N.    | Description  | Fam. | Subfam. | Disp. Stock |  |
|-----------|--------|---------|--|------|---------|-------------|--|
| 15        | AW319  | 1035622 | TANK RING 2"1/2 263-268 P/N 1035623                        | 10   | 64      | •           |  |
| 16        | AV030B |         | MANIFOLD KIT BRASS MALE 3/4" GAS*                          | 10   | 62      | •           |  |
| 16        | AV031B |         | MANIFOLD KIT BRASS MALE " GAS*                             | 10   | 62      | •           |  |
| 16        | AV032  | 1001615 | MANIFOLD KIT PVC D,32                                      | 10   | 62      | •           |  |
| 16        | AV038  |         | MANIFOLD KIT BRASS MALE 1 1/4" GAS*                        | 10   | 62      | •           |  |
| 17        | AW129  | 1235373 | OPTIC SENSOR P/N 1235373                                   | 10   | 64      | •           |  |
| 18        | AW126  | 1238861 | MOTOR W/SPACER AND PINION AND CABLE SERIES 700 P/N 1238861 | 10   | 64      | •           |  |
| N.Visual. | AW172  | 3029969 | O-RING ADAPTER FOR PRESSURE VESSEL 2.1/2"                  | 10   | 64      | •           |  |
| N.Visual. | AW329  | 1041174 | VALVE DISCS KIT FOR 263-268-273-278                        | 10   | 64      | •           |  |
| N.Visual. | AV037  | 1239760 | BLENDING KIT SCREW FOR 700 SERIES AND 255/400 NEW STYLE    | 10   | 62      | •           |  |
| N.Visual. | AW128  | 1235446 | TURBINE CABLE 255-268-278/700                              | 10   | 64      | •           |  |
| 19        | AW328  | 1033444 | TURBINE ASSEMBLY   | 10   | 64      |             |  |
| N.Visual. | AX040  | 1244336 | KIT CHLORINE GENERATOR 255/268 LOGIX                       | 10   | 70      | •           |  |
| N.Visual. | AW124  | 3029962 | MOTOR LOCKING PIN P/N 3029962                              | 10   | 64      | •           |  |
| N.Visual. | AV057  | 1239711 | FRONT MOUNT SWITCH KIT 253-5/263-8 0,1A                    | 10   | 62      | •           |  |
| N.Visual. | AV058  | 1239752 | FRONT MOUNT SWITCH KIT 253-5/263-8 5A                      | 10   | 62      | •           |  |
| N.Visual. | AV059  | 1239753 | TOP PLATE SWITCH KIT 253-5/263-8 0,1A                      | 10   | 62      | •           |  |
| N.Visual. | AV069  | 1239754 | TOP PLATE SWITCH KIT 253-5/263-8 5A                        | 10   | 62      | •           |  |
| N.Visual. | AV036  | 1263718 | KIT REMOTE LOGIX CONTROL W/CABLE LG.32 P/N 1263718         | 10   | 62      |             |  |
| N.Visual. | AV036A | 1256257 | KIT REMOTE LOGIX CONTROL W/TERMINAL BLOCKS P/N 1256257     | 10   | 62      |             |  |
| N.Visual. | AV023  | 1242411 | EXTENSION CORD Lg=50cm FOR CAB. P/N 1242411                | 10   | 62      |             |  |
| N.Visual. | AV023A | 1239979 | 4 PIN CONNECTOR CABLE START 700 SERIES                     | 10   | 62      | •           |  |



## 255/764 VALVE EXPLODED VIEW & PARTS LIST



| Numero  | Ref    | P.N.    | Description  | Fam. | Subfam. | Disp. Stock |  |
|---------|--------|---------|--|------|---------|-------------|--|
| 1       | AW505E |         | TIMER 764C W/CHECK SALT 12V 50/60HZ SYMBOL                 | 10   | 64      | •           |  |
| 2+3+4+5 | AW168  | 1244650 | 255/700 VALVE ASSEMBLY W/O FLOW CONTROLS                   | 10   | 64      | •           |  |
| 3       | AW162  | 1235340 | TOP PLATE 253/255 LOGIX P/N 1235341                        | 10   | 64      | •           |  |
| 4-12    | AW174  | 3030450 | TOP PLATE SCREW NO 8x9/16"                                 | 10   | 64      | •           |  |
| 5       | AW163  | 1235341 | SPRING ONE PIECE 255 VALVE P/N 1235341                     | 10   | 64      | •           |  |
| 6       | AW149  | 1235353 | CAMSHAFT 253/255 LOGIX P/N 1235353                         | 10   | 64      | •           |  |
| 6       | AW177  | 1236251 | CAMSHAFT 255 LOGIX 764 TWIN P/N 1236251                    | 10   | 64      | •           |  |
| 7       | AW148  | 1236246 | 253-5/263-8 LOGIX STANDARD COVER P/N 1236246               | 10   | 64      |             |  |
| 8       | AW500  | 1000814 | EUROPEAN TRANFORMER 230/12V                                | 10   | 64      | •           |  |
| 8       | AW501  | 1000813 | BRITISH TRANFORMER   | 10   | 64      | •           |  |
| 9A      | AW126  | 1238861 | MOTOR W/SPACER AND PINION AND CABLE SERIES 700 P/N 1238861 | 10   | 64      | •           |  |
| 9B      | AW129  | 1235373 | OPTIC SENSOR P/N 1235373                                   | 10   | 64      | •           |  |
| 10      | AW125  | 1000226 | SCREEN/CAP ASSEMBLY W/O-RING                               | 10   | 64      | •           |  |
| 11      | AW173  | 1031405 | LOCKING BAR  | 10   | 64      | •           |  |
| 13      | AW100  | 1000209 | BACKWASH CONTROL 07 WITH O-RING                            | 10   | 64      | •           |  |
| 13      | AW101  | 1000210 | BACKWASH CONTROL 08 WITH O-RING                            | 10   | 64      | •           |  |
| 13      | AW102  | 1000211 | BACKWASH CONTROL 09 WITH O-RING                            | 10   | 64      | •           |  |
| 13      | AW103  | 1000212 | BACKWASH CONTROL 10 WITH O-RING                            | 10   | 64      | •           |  |
| 13      | AW104  | 1000213 | BACKWASH CONTROL 12 WITH O-RING                            | 10   | 64      | •           |  |
| 13      | AW105  | 1000214 | BACKWASH CONTROL 13 WITH O-RING                            | 10   | 64      | •           |  |
| 13      | AW106  | 1000215 | BACKWASH CONTROL 14 WITH O-RING                            | 10   | 64      | •           |  |
| 14      | AW139  | 1030502 | FLOW CONTROL BALL  | 10   | 64      | •           |  |
| 15      | AW196  | 1040459 | O-RING SET*  | 10   | 64      | •           |  |

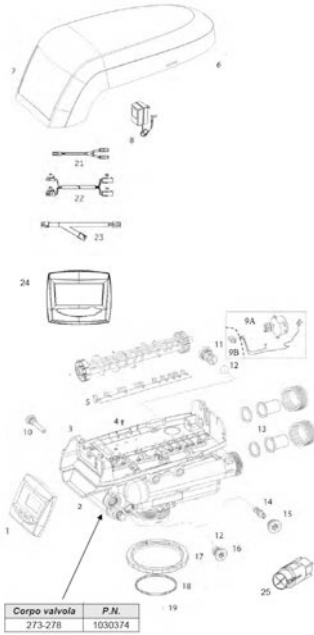


## PARTS LIST VALVE 255/764

| Numero      | Ref   | P.N.    | Description   | Fam. | Subfam. | Disp. Stock |  |
|-------------|-------|---------|---|------|---------|-------------|--|
| 16          | AW133 | 1035730 | INJECTOR E YELLOW WITH O-RING                       | 10   | 64      | •           |  |
| 16          | AW134 | 1035731 | INJECTOR F PEACH WITH O-RING                        | 10   | 64      | •           |  |
| 16          | AW135 | 1035732 | INJECTOR G TAN WITH O-RING                          | 10   | 64      | •           |  |
| 16          | AW136 | 1035733 | INJECTOR H LIGHT PURPLE WITH O-RING                 | 10   | 64      | •           |  |
| 16          | AW137 | 1035734 | INJECTOR J LIGHT BLUE WITH O-RING                   | 10   | 64      | •           |  |
| 16          | AW138 | 1035735 | INJECTOR K PINK WITH O-RING                         | 10   | 64      | •           |  |
| 16          | AW348 | 1035736 | INJECTOR L ORANGE WITH O-RING P/N 1035736           | 10   | 64      | •           |  |
| 16          | AW349 | 1035737 | INJECTOR M BROWN WITH O-RING P/N 1035737            | 10   | 64      | •           |  |
| 16          | AW350 | 1035738 | INJECTOR N GREEN WITH O-RING P/N 1035738            | 10   | 64      | •           |  |
| 16          | AW351 | 1035739 | INJECTOR Q PURPLE WITH O-RING P/N 1035739           | 10   | 64      | •           |  |
| 16          | AW352 | 1035884 | INJECTOR R GREY WITH O-RING P/N 1035884             | 10   | 64      | •           |  |
| 17          | AW107 | 1000269 | INJECTOR CAP/BACKWASH OPEN 00                       | 10   | 64      | •           |  |
| 18          | AW118 | 1243511 | BRINE REFILL CONTROL .33 GPM                        | 10   | 64      | •           |  |
| 19          | AW190 | 1032417 | KIT AIR-CHECK 1/4" MALE                             | 10   | 64      | •           |  |
| 20          | AW170 | 1033784 | ADAPTER PRESSURE VESSEL 2.1/2" FOR TUBE 1.05"       | 10   | 64      | •           |  |
| 21          | AW172 | 3029969 | O-RING ADAPTER FOR PRESSURE VESSEL 2.1/2"           | 10   | 64      | •           |  |
| 22          | AW169 | 3030918 | O-RING 1.05"  | 10   | 64      | •           |  |
| 23          | AW195 | 1001404 | O-RING SET FOR 255 VALVE TOP/BOTTOM COUPLING        | 10   | 64      | •           |  |
| 24          | AW365 | 3016715 | Y CABLE 4 PIN TURBINE SENSOR P/N 3016715            | 10   | 64      | •           |  |
| 25          | AW366 | 3016775 | INTERCONNECTION CABLE LOGIX TWIN LG 3 M P/N 3016775 | 10   | 64      | •           |  |
| 26          | AW367 | 3020228 | START/LOCKOUT CABLE 3 PIN MULTI TANK P/N 3020228    | 10   | 64      | •           |  |
| 27          | AW504 | 1254886 | SLAVE CONTROLLER P/N 1254886                        | 10   | 64      | •           |  |
| 28          | AW201 | 1032350 | METER ADAPTER KIT                                   | 10   | 64      | •           |  |
| Non visual. | AW124 | 3029962 | MOTOR LOCKING PIN P/N 3029962                       | 10   | 64      | •           |  |
| Non visual. | AW128 | 1235446 | TURBINE CABLE 255-268-278/700                       | 10   | 64      | •           |  |



## PARTS LIST VALVE 278/764



| Numero     | Ref    | P.N.    | Description  | Fam. | Subfam. | Disp. Stock |  |
|------------|--------|---------|--|------|---------|-------------|--|
| 1          | AW505E |         | TIMER 764C W/CHECK SALT 12V 50/60HZ SYMBOL                 | 10   | 64      | •           |  |
| 2+3+4+5+19 | AW363  | 1255105 | 278 VALVE ASSMBLY W/O FLOW CONTROLS                        | 10   | 64      | •           |  |
| 3          | AW359  | 1235338 | TOP PLATE 263/268/278 LOGIX P/N 1235338                    | 10   | 64      | •           |  |
| 4          | AW174  | 3030450 | TOP PLATE SCREW NO 8x9/16"                                 | 10   | 64      | •           |  |
| 5          | AW360  | 1235339 | VALVE DISC SPRING ONE PIECE 263/268 LOGIX P/N 1235339      | 10   | 64      | •           |  |
| 6          | AW361  | 1237405 | CAMSHAFT 278 LOGIX P/N 1237405                             | 10   | 64      | •           |  |
| 6          | AW364  | 1237406 | CAMSHAFT 278 LOGIX 764 TWIN P/N 1237406                    | 10   | 64      | •           |  |
| 7          | AW148  | 1236246 | 253-5/263-8 LOGIX STANDARD COVER P/N 1236246               | 10   | 64      |             |  |
| 8          | AW500  | 1000813 | EUROPEAN TRANSFORMER 230/12V                               | 10   | 64      | •           |  |
| 8          | AW501  | 1000811 | BRITISH TRANSFORMER  | 10   | 64      | •           |  |
| 9A         | AW126  | 1238861 | MOTOR W/SPACER AND PINION AND CABLE SERIES 700 P/N 1238861 | 10   | 64      | •           |  |
| 9B         | AW129  | 1235373 | OPTIC SENSOR P/N 1235373                                   | 10   | 64      | •           |  |
| 10         | AW125  | 1000226 | SCREEN/CAP ASSEMBLY W/O-RING                               | 10   | 64      | •           |  |
| 11         | AW100  | 1000209 | BACKWASH CONTROL 07 WITH O-RING                            | 10   | 64      | •           |  |
| 11         | AW101  | 1000211 | BACKWASH CONTROL 08 WITH O-RING                            | 10   | 64      | •           |  |
| 11         | AW103  | 1000212 | BACKWASH CONTROL 10 WITH O-RING                            | 10   | 64      | •           |  |
| 11         | AW104  | 1000213 | BACKWASH CONTROL 12 WITH O-RING                            | 10   | 64      | •           |  |
| 11         | AW105  | 1000214 | BACKWASH CONTROL 13 WITH O-RING                            | 10   | 64      | •           |  |
| 11         | AW106  | 1000215 | BACKWASH CONTROL 14 WITH O-RING                            | 10   | 64      | •           |  |
| 12         | AW139  | 1030502 | FLOW CONTROL BALL  | 10   | 64      | •           |  |
| 13         | AV031B |         | MANIFOLD KIT BRASS MALE " GAS*                             | 10   | 62      | •           |  |
| 13         | AV032  | 1001615 | MANIFOLD KIT PVC D,32                                      | 10   | 62      | •           |  |
| 13         | AV038  |         | MANIFOLD KIT BRASS MALE 1 1/4" GAS*                        | 10   | 62      | •           |  |
| 13         | AW183  |         | MANIFOLD+NUT 1,1/4" BRASS                                  | 10   | 64      | •           |  |

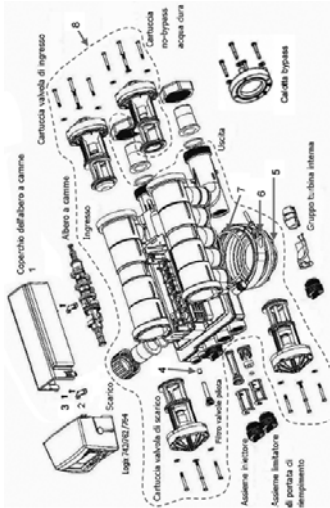


## PARTS LIST VALVE 278/764

| Numero      | Ref   | P.N.    | Description   | Fam. | Subfam | Disp. Stock |  |
|-------------|-------|---------|---|------|--------|-------------|--|
| 14          | AW133 | 1035730 | INJECTOR E YELLOW WITH O-RING                       | 10   | 64     | •           |  |
| 14          | AW134 | 1035731 | INJECTOR F PEACH WITH O-RING                        | 10   | 64     | •           |  |
| 14          | AW135 | 1035732 | INJECTOR G TAN WITH O-RING                          | 10   | 64     | •           |  |
| 14          | AW136 | 1035733 | INJECTOR H LIGHT PURPLE WITH O-RING                 | 10   | 64     | •           |  |
| 14          | AW137 | 1035734 | INJECTOR J LIGHT BLUE WITH O-RING                   | 10   | 64     | •           |  |
| 14          | AW138 | 1035735 | INJECTOR K PINK WITH O-RING                         | 10   | 64     | •           |  |
| 14          | AW348 | 1035736 | INJECTOR L ORANGE WITH O-RING P/N 1035736           | 10   | 64     | •           |  |
| 14          | AW349 | 1035737 | INJECTOR M BROWN WITH O-RING P/N 1035737            | 10   | 64     | •           |  |
| 14          | AW350 | 1035738 | INJECTOR N GREEN WITH O-RING P/N 1035738            | 10   | 64     | •           |  |
| 14          | AW351 | 1035739 | INJECTOR Q PURPLE WITH O-RING P/N 1035739           | 10   | 64     | •           |  |
| 14          | AW352 | 1035884 | INJECTOR R GREY WITH O-RING P/N 1035884             | 10   | 64     | •           |  |
| 15          | AW107 | 1000269 | INJECTOR CAP/BACKWASH OPEN 00                       | 10   | 64     | •           |  |
| 16          | AW118 | 1243511 | BRINE REFILL CONTROL .33 GPM                        | 10   | 64     | •           |  |
| 16          | AW327 | 1000519 | BRINE REFILL CONTROL 1.3 GPM P/N 1000519            | 10   | 64     | •           |  |
| 17          | AW319 | 1035622 | TANK RING 2"1/2 263-268 P/N 1035623                 | 10   | 64     | •           |  |
| 18          | AW172 | 3029969 | O-RING ADAPTER FOR PRESSURE VESSEL 2.1/2"           | 10   | 64     | •           |  |
| 19          | AW169 | 3030918 | O-RING 1.05"  | 10   | 64     | •           |  |
| 21          | AW365 | 3016715 | Y CABLE 4 PIN TURBINE SENSOR P/N 3016715            | 10   | 64     | •           |  |
| 22          | AW366 | 3016775 | INTERCONNECTION CABLE LOGIX TWIN LG 3 M P/N 3016775 | 10   | 64     | •           |  |
| 23          | AW367 | 3020228 | START/LOCKOUT CABLE 3 PIN MULTI TANK P/N 3020228    | 10   | 64     | •           |  |
| 24          | AW504 | 1254886 | SLAVE CONTROLLER P/N 1254886                        | 10   | 64     | •           |  |
| Non visual. | AW124 | 3029962 | MOTOR LOCKING PIN P/N 3029962                       | 10   | 64     | •           |  |
| Non visual. | AW128 | 1235446 | TURBINE CABLE 255-268-278/700                       | 10   | 64     | •           |  |
| 25          | AW328 | 1033444 | TURBINE ASSEMBLY                                    | 10   | 64     | •           |  |



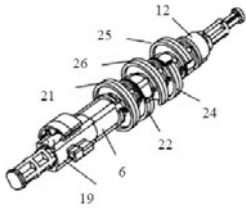
## MAGNUM VALVE 700 SERIES EXPLODED VIEW



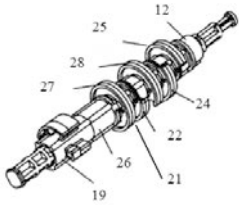
| Numero | Ref   | P.N.    | Description                          | Fam. | Subfam. | Disp. Stock |  |
|--------|-------|---------|--------------------------------------|------|---------|-------------|--|
| 1      | CD140 | 1000343 | CAMSHAFT COVER                       | 20   | 83      |             |  |
| 2      | CD100 | 1000589 | PILLOW BLOCK CAP                     | 20   | 83      | •           |  |
| 3      | CD109 | 3030505 | MAGNUM VALVE LONG SCREW              | 20   | 83      | •           |  |
| 4      | CD144 | 3025780 | INTERNAL CHECK VALVE                 | 20   | 83      | •           |  |
| 5      | CD171 | 3024790 | AISI 304 MAGNUM ADAOPTER P/N 3024790 | 20   | 83      | •           |  |
| 6      | CD173 | 3024785 | CLAMP AISI 304 P/N 3024785           | 20   | 83      | •           |  |
| 7      | CD174 | 3026486 | O RING CLAMP P/N 3026486             | 20   | 83      | •           |  |



## MAGNUM VALVE 700 SERIES SPARE PARTS



A) ALBERO A CAMME 5 CICLI  
ADDOLCITORE/FILTRO LOGIX



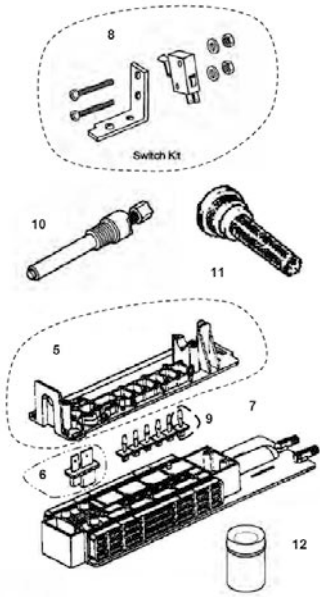
B) ALBERO A CAMME TWIN  
LOGIX

| Number        | Ref   | P.N.    | Description                              | Fam. | Subfam. | Disp.Stock |  |
|---------------|-------|---------|--|------|---------|------------|--|
| A)            | CD125 | 1267726 | 3-5 CYCLES MAGNUM LOGIX SIMPLEX CAMSHAFT | 20   | 83      | •          |  |
| consisting of |       |         |  |      |         |            |  |
| 19            |       | 1000499 | Brine Cam - TAN                          |      |         |            |  |
| 6             |       | 1000462 | Standard Cam - BLACK                     |      |         |            |  |
| 21            |       | 1001620 | Pilot Cam # 1 - TAN                      |      |         |            |  |
| 22            |       | 1001621 | Pilot Cam # 2 - BLU                      |      |         |            |  |
| 26            |       | 1267724 | Pilot Cam # 3 - GREY                     |      |         |            |  |
| 24            |       | 1001623 | Pilot Cam # 4 - YELLOW                   |      |         |            |  |
| 25            |       | 1001624 | Pilot Cam # 5 - ORANGE                   |      |         |            |  |
| 12            |       | 1000469 | Pilot Cam # 6 - RED                      |      |         |            |  |

| Number        | Ref   | P.N.    | Description                                       | Fam. | Subfam. | Disp.Stock |  |
|---------------|-------|---------|---|------|---------|------------|--|
| B)            | CD126 | 1001751 | 3-5 CYCLES MAGNUM LOGIX TWIN CAMSHAFT P/N 1001751 | 20   | 83      | •          |  |
| consisting of |       |         |   |      |         |            |  |
| 19            |       | 1000499 | Brine Cam - TAN                                   |      |         |            |  |
| 26            |       | 1034356 | Spacer Cam - BLACK                                |      |         |            |  |
| 27            |       | 1233554 | Standard Cam - TAN                                |      |         |            |  |
| 21            |       | 1001620 | Pilot Cam # 1 - TAN                               |      |         |            |  |
| 22            |       | 1001621 | Pilot Cam # 2 - BLU                               |      |         |            |  |
| 28            |       | 1001622 | Pilot Cam # 3 - GREEN                             |      |         |            |  |
| 24            |       | 1001623 | Pilot Cam # 4 - YELLOW                            |      |         |            |  |
| 25            |       | 1001624 | Pilot Cam # 5 - ORANGE                            |      |         |            |  |
| 12            |       | 1000469 | Pilot Cam # 6 - RED                               |      |         |            |  |



## MAGNUM VALVE 700 SERIES SPARE PARTS

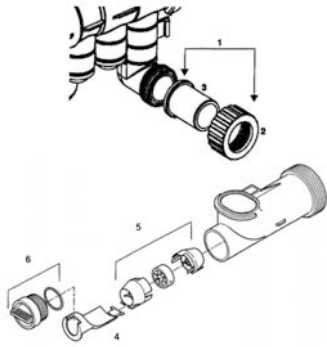


| Number    | Ref   | P.N.    | Description                                  | Fam. | Subfam. | Disp. Stock |  |
|-----------|-------|---------|--|------|---------|-------------|--|
| 5         | CD141 | 1000339 | MAGNUM PLATE P/N 1000339                     | 20   | 83      | •           |  |
| Not shown | AW174 | 3030450 | TOP PLATE SCREW NO 8x9/16"                   | 10   | 64      | •           |  |
| Not shown | CD109 | 3030505 | MAGNUM VALVE LONG SCREW                      | 20   | 83      | •           |  |
| 6         | CD143 | 1000391 | BRINE FLAPFOR VALVE P/N 1000391              | 20   | 83      | •           |  |
| 9         | CD142 | 1000328 | PILOT FLAPPER VALVE P/N 1000328              | 20   | 83      | •           |  |
| Not shown | AW181 | 1001580 | VALVE DISC SPRING                            | 10   | 64      | •           |  |
| 6+7       | CD020 | 1040692 | VALVE DISCS KIT FOR MAGNUM                   | 20   | 83      | •           |  |
| Not shown | CD161 | 1010162 | 4" TANK ADAPTER O-RING                       | 20   | 83      | •           |  |
| Not shown | CC115 | 1000553 | CAM PILOT AUXILIARY LONG CYCLE               | 20   | 82      | •           |  |
| Not shown | CC116 | 1000554 | CAM PILOT AUXILIARY SHORT CYCLE              | 20   | 82      | •           |  |
| 8         | CC119 | 3019468 | KIT N.1 MICRO SWITCH 0.1 AMPERE P/N 3109468  | 20   | 82      | •           |  |
| 8         | CC120 | 3019469 | KIT N. 1 MICRO SWITCH 5.0 AMPERE P/N 3019469 | 20   | 82      | •           |  |
| Not shown | CC124 | 3019467 | KIT N. 3 MICRO SWITCH 5,0 AMPERE P/N 3019467 | 20   | 82      | •           |  |
| 10        | CC130 | 1040668 | EXTERNAL PILOT FEED ADAPTER                  | 20   | 82      | •           |  |
| 11        | AW125 | 1000226 | SCREEN/CAP ASSEMBLY W/O-RING                 | 10   | 64      | •           |  |
| 12        | CD144 | 3025780 | INTERNAL CHECK VALVE                         | 20   | 83      | •           |  |





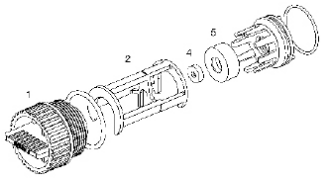
## MAGNUM VALVE INSTALLATION ADAPTER PARTS



| Numero    | Ref   | P.N.    | Description  | Fam. | Subfam. | Disp. Stock |  |
|-----------|-------|---------|--|------|---------|-------------|--|
| 1         | CC080 | 3023673 | MAGNUM 1,5" STAINLESS STEEL ADAPTER KIT BSPT           | 20   | 82      | •           |  |
| 1         | CC081 | 1001656 | MAGNUM 2" PVC D.50 MM ADAPTER KIT                      | 20   | 82      | •           |  |
| 1         | CC082 | 3023674 | MAGNUM 2" STAINLESS STEEL ADAPTER KIT BSPT             | 20   | 82      | •           |  |
| 1         | CC083 | 1040785 | MAGNUM 2" PVC D.63 MM ADAPTER KIT                      | 20   | 82      | •           |  |
| 2         | CD151 | 1000356 | 1.5" NORYL ADAPTER NUT                                 | 20   | 83      | •           |  |
| 2         | CD152 | 1030664 | 2" SS ADAPTER NUT                                      | 20   | 83      | •           |  |
| 3         | CD153 | 3014556 | 1.5" SS BSPT ADAPTER                                   | 20   | 83      | •           |  |
| 3         | CD163 |         | 1.5" BSPT FEMALE ADAPTER AVP GALVANIZED                | 20   | 83      |             |  |
| 3         | CD154 | 3014559 | 2" SS BSPT ADAPTER                                     | 20   | 83      | •           |  |
| 3         | CD155 | 1030577 | 32 MM METRIC CPVC ADAPTER                              | 20   | 83      |             |  |
| 3         | CD156 | 1000359 | 50 MM METRIC CPVC ADAPTER                              | 20   | 83      | •           |  |
| 3         | CD157 | 1030667 | 63 MM METRIC CPVC ADAPTER                              | 20   | 83      | •           |  |
| 4         | CD067 | 1000074 | INSERT CORNER 2"                                       | 20   | 83      | •           |  |
| 5         | CD068 | 1232965 | ASSEMBLY TURBINE IT 2" P/N 1232965                     | 20   | 83      | •           |  |
| 6         | CD099 | 1040688 | PLUG FOR INJECTOR, REFILL AND PRESSURE REGULATOR PORTS | 20   | 83      | •           |  |
| N.Visual. | CD158 | 3029966 | 1.5" ADAPTER & 48.3 MM TUBE O-RING                     | 20   | 83      | •           |  |
| N.Visual. | CD159 | 3029964 | 2" ADAPTER O-RING                                      | 20   | 83      | •           |  |
| N.Visual. | CD161 | 1010162 | 4" TANK ADAPTER O-RING                                 | 20   | 83      | •           |  |
| N.Visual. | CD162 | 1030891 | GASKET FOR 2" TURBINE                                  | 20   | 83      | •           |  |
| N.Visual. | CC084 | 1040921 | SIDE MOUNT ADAPTER PVC 2" BSPT FEMALE                  | 20   | 82      | •           |  |
| N.Visual. | CD069 | 1033358 | 2" FLOW METER BODY                                     | 20   | 83      | •           |  |
| N.Visual. | CD073 | 1034081 | 2" FLOW METER W/ 63 MM METRIC CPVC ADAPTER             | 20   | 83      | •           |  |

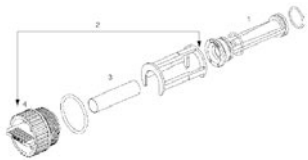


## MAGNUM REFILL CONTROL ASSEMBLY PARTS



| Numero | Ref   | P.N.    | Description  | Fam. | Subfam. | Disp. Stock |  |
|--------|-------|---------|--|------|---------|-------------|--|
| 1      | CD099 | 1040688 | PLUG FOR INJECTOR, REFILL AND PRESSURE REGULATOR PORTS | 20   | 83      | •           |  |
| 3      | CD089 | 1040687 | REFILL CONTROL ASSEMBLY W/O REFILL CONTROL             | 20   | 83      | •           |  |
| 4      | CD081 | 1000421 | BRINE REFIL CONTROLLER 0.7 GPM FOR PRESSURE VESSEL 14" | 20   | 83      | •           |  |
| 4      | CD082 | 1000422 | BRINE REFIL CONTROLLER 0.8 GPM FOR PRESSURE VESSEL 16" | 20   | 83      | •           |  |
| 4      | CD083 | 1000423 | BRINE REFIL CONTROLLES 1.0 GPM FOR PRESSURE VESSEL 18" | 20   | 83      | •           |  |
| 4      | CD084 | 1000424 | BRINE REFIL CONTROLLER 1.4 GPM FOR PRESSURE VESSEL 21" | 20   | 83      | •           |  |
| 4      | CD085 | 1000425 | BRINE REFIL CONTROLLER 2.0 GPM FOR PRESSURE VESSEL 24" | 20   | 83      | •           |  |
| 4      | CD086 | 1000426 | BRINE REFIL CONTROLLER 3.0 GPM FOR PRESSURE VESSEL 30" | 20   | 83      | •           |  |
| 4      | CD087 | 1000427 | BRINE REFIL CONTROLLER 5.0 GPM FOR PRESSURE VESSEL 36" | 20   | 83      | •           |  |
| 5      | CD080 | 1000479 | REFILL CONTROL CAGE                                    | 20   | 83      | •           |  |

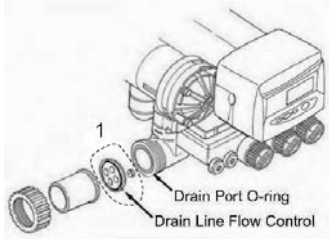
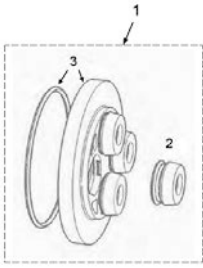
## MAGNUM INJECTOR ASSEMBLY PARTS



| Numero | Ref    | P.N.    | Description  | Fam. | Subfam. | Disp. Stock |  |
|--------|--------|---------|--|------|---------|-------------|--|
| 1      | CD091  | 1040670 | INJECTOR 0.5 GPM FOR PRESSURE VESSEL 14"               | 20   | 83      | •           |  |
| 1      | CD092  | 1040671 | INJECTOR 0.5 GPM FOR PRESSURE VESSEL 16"               | 20   | 83      | •           |  |
| 1      | CD093  | 1040672 | INJECTOR 0.6 GPM FOR PRESSURE VESSEL 18"               | 20   | 83      | •           |  |
| 1      | CD094  | 1040673 | INJECTOR 0.9 GPM FOR PRESSURE VESSEL 21"               | 20   | 83      | •           |  |
| 1      | CD095  | 1040674 | INJECTOR 1.4 GPM FOR PRESSURE VESSEL 24"               | 20   | 83      | •           |  |
| 1      | CD096  | 1040675 | INJECTOR 2.0 GPM FOR PRESSURE VESSEL 30"               | 20   | 83      | •           |  |
| 1      | CD097  | 1040676 | INJECTOR 3.3 GPM FOR PRESSURE VESSEL 36"               | 20   | 83      | •           |  |
| 1      | CD097A | 1000491 | INJECTOR 4.2 GPM FOR PRESSURE VESSEL 42"               | 20   | 83      | •           |  |
| 1      | CD098  | 1040669 | BLANK INJECTOR   | 20   | 83      | •           |  |
| 2      | CD088  | 1040677 | INJECTOR ASSEMBLY W/O INJECTOR                         | 20   | 83      | •           |  |
| 3      | CD090  | 1000322 | INJECTOR SCREEN P/N 1000332                            | 20   | 83      | •           |  |
| 4      | CD099  | 1040688 | PLUG FOR INJECTOR, REFILL AND PRESSURE REGULATOR PORTS | 20   | 83      | •           |  |



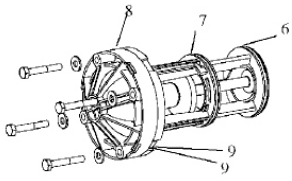
## MAGNUM DRAIN LINE FLOW CONTROL PART LIST



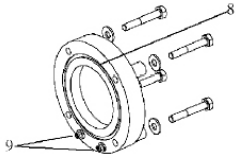
| Numero | Ref   | P.N.    | Description   | Fam. | Subfam. | Disp. Stock |  |
|--------|-------|---------|---|------|---------|-------------|--|
| 1      | CC101 | 1040720 | FLOW CONTROL DISK 05 GPM                            | 20   | 82      | •           |  |
| 1      | CC102 | 1040721 | FLOW CONTROL DISK 06 GPM                            | 20   | 82      | •           |  |
| 1      | CC103 | 1040723 | FLOW CONTROL DISK 08 GPM                            | 20   | 82      | •           |  |
| 1      | CC104 | 1040725 | FLOW CONTROL DISK 10 GPM                            | 20   | 82      | •           |  |
| 1      | CC105 | 1040728 | FLOW CONTROL DISK 13 GPM                            | 20   | 82      | •           |  |
| 1      | CC114 | 1040729 | FLOW CONTROL DISK 14 GPM                            | 20   | 82      | •           |  |
| 1      | CC106 | 1040740 | FLOW CONTROL DISK 15 GPM                            | 20   | 82      | •           |  |
| 1      | CC107 | 1040745 | FLOW CONTROL DISK 20 GPM                            | 20   | 82      | •           |  |
| 1      | CC108 | 1040747 | FLOW CONTROL DISK 22 GPM                            | 20   | 82      | •           |  |
| 1      | CC109 | 1040730 | FLOW CONTROL DISK 25 GPM                            | 20   | 82      | •           |  |
| 1      | CC110 | 1040735 | FLOW CONTROL DISK 30 GPM                            | 20   | 82      | •           |  |
| 1      | CC111 | 1040750 | FLOW CONTROL DISK 35 GPM                            | 20   | 82      | •           |  |
| 1      | CC112 | 1040755 | FLOW CONTROL DISK 40 GPM                            | 20   | 82      | •           |  |
| 1      | CD101 | 1040756 | FLOW CONTROL INSERT 05 GPM BLUE                     | 20   | 83      | •           |  |
| 2      | CD102 | 1040757 | FLOW CONTROL INSERT 06 GPM RED                      | 20   | 83      | •           |  |
| 2      | CD103 | 1040758 | FLOW CONTROL INSERT 07 GPM LIGHT BROWN              | 20   | 83      | •           |  |
| 2      | CD104 | 1040759 | FLOW CONTROL INSERT 08 GPM GREEN                    | 20   | 83      | •           |  |
| 2      | CD105 | 1040760 | FLOW CONTROL INSERT 09 GPM LIGHT BROWN WHITE MARKED | 20   | 83      | •           |  |
| 2      | CD106 | 1040761 | FLOW CONTROL INSERT 10 GPM BRICK RED                | 20   | 83      | •           |  |
| 2      | CD107 | 1040763 | BLANK FLOW CONTROL INSERT BLACK                     | 20   | 83      | •           |  |
| 2      | CD180 |         | DLFC INSERTS KIT*                                   | 20   | 83      | •           |  |
| 3      | CD108 | 1040762 | FLOW CONTROL DISC WITH O-RING                       | 20   | 83      | •           |  |



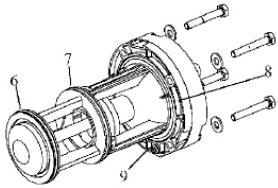
## MAGNUM CARTRIDGES PARTS LIST



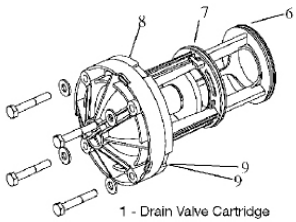
2 - Rinse Valve Cartridge



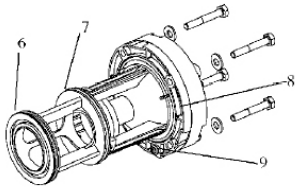
4 - Hard Water Bypass Cap



5 - Inlet Valve Cartridge



1 - Drain Valve Cartridge

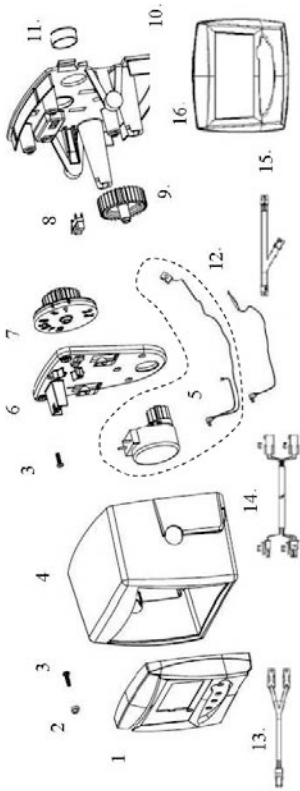


3 - No Hard Water Bypass Valve Cartridge

| Numero    | Ref   | P.N.    | Description                                      | Fam. | Subfam. | Disp. Stock |  |
|-----------|-------|---------|--|------|---------|-------------|--|
| 1-3       | CD111 | 1000366 | DRAIN VALVE/NO HARD WATER BYPASS VALVE CARTRIDGE | 20   | 83      | •           |  |
| 2         | CD112 | 1000365 | RINSE VALVE CARTRIDGE                            | 20   | 83      | •           |  |
| 4         | CD114 | 1000336 | HARD WATER BYPASS CAP                            | 20   | 83      | •           |  |
| 5         | CD113 | 1000317 | INLET VALVE CARTRIDGE                            | 20   | 83      | •           |  |
| 6         | CD118 | 1010157 | O RING # 6 P/N 1010157                           | 20   | 83      | •           |  |
| 7         | CD119 | 1010158 | O RING # 7 P/N 1010158                           | 20   | 83      | •           |  |
| 8         | CD120 | 3030497 | O RING # 8 P/N 3030497                           | 20   | 83      | •           |  |
| 9         | CD124 | 1010116 | O RING # 9 P/N 3030531                           | 20   | 83      | •           |  |
| N.Visual. | CD116 | 1040690 | O-RING KIT FOR HARD WATER BYPASS CAP P/N 1040690 | 20   | 83      | •           |  |
| N.Visual. | CD115 | 1040689 | O-RING KIT P/N 1040689                           | 20   | 83      | •           |  |



## SERIES MAGNUM 700 TIMER LIST



| Number    | Ref    | P.N.    | Description  | Fam. | Subfam. | Disp. Stock |  |
|-----------|--------|---------|--|------|---------|-------------|--|
| 1         | AW512E |         | TIMER 742C W/CHECK SALT 12V 50/60HZ SYMBOL                 | 10   | 64      | •           |  |
| 1         | AW515E |         | TIMER 762C W/CHECK SALT 12V 50/60HZ SYMBOL                 | 10   | 64      | •           |  |
| 1         | AW518E |         | TIMER 742F W/CHECK SALT 12V 50/60HZ SYMBOL                 | 10   | 64      | •           |  |
| 1         | AW525E |         | TIMER 762F W/CHECK SALT 12V 50/60HZ SYMBOL                 | 10   | 64      | •           |  |
| 1         | AW505E |         | TIMER 764C W/CHECK SALT 12V 50/60HZ SYMBOL                 | 10   | 64      | •           |  |
| 2         | CD135  | 3030921 | BUSHING LOGIX MOUNT  | 20   | 83      |             |  |
| 3         | CD136  | 3030001 | NUT P/N 3030001  | 20   | 83      | •           |  |
| 4         | CD137  | 1262674 | TIMER COVER 293-298 P/N 1262674                            | 20   | 83      |             |  |
| 5         | AW126  | 1238861 | MOTOR W/SPACER AND PINION AND CABLE SERIES 700 P/N 1238861 | 10   | 64      | •           |  |
| 7         | CD139  | 1262581 | DRIVE GEAR LOGIX MAGNUM CONTROL                            | 20   | 83      |             |  |
| 8         | AW129  | 1235373 | OPTIC SENSOR P/N 1235373                                   | 10   | 64      | •           |  |
| 9         | CD128  | 1262672 | IDLE GEAR LOGIX MAGNUM CONTROL                             | 20   | 83      | •           |  |
| 12        | CD131  | 1266722 | TURBINE CABLE LOGIX LG=0.8 M                               | 20   | 83      | •           |  |
| 12        | CD132  | 1266723 | TURBINE CABLE LOGIX LG=3 M                                 | 20   | 83      | •           |  |
| 12        | CD133  | 1266724 | TURBINE CABLE LOGIX LG=7,5 M                               | 20   | 83      |             |  |
| 13        | AW365  | 3016715 | Y CABLE 4 PIN TURBINE SENSOR P/N 3016715                   | 10   | 64      | •           |  |
| 14        | AW366  | 3016775 | INTERCONNECTION CABLE LOGIX TWIN LG 3 M P/N 3016775        | 10   | 64      | •           |  |
| 15        | AW367  | 3020228 | START/LOCKOUT CABLE 3 PIN MULTI TANK P/N 3020228           | 10   | 64      | •           |  |
| 16        | AW504  | 1254886 | SLAVE CONTROLLER P/N 1254886                               | 10   | 64      | •           |  |
| Not shown | CD138  | 1233809 | LOGIX MAGNUM CONTROL MECH. ASSEMBLY 293-298 P/N 1233809    | 20   | 83      |             |  |
| Not shown | AW500  | 1000814 | EUROPEAN TRANSFORMER 230/12V                               | 10   | 64      | •           |  |
| Not shown | AW501  | 1000813 | BRITISH TRANSFORMER  | 10   | 64      | •           |  |
| Not shown | AV036  | 1263718 | KIT REMOTE LOGIX CONTROL W/CABLE LG.32 P/N 1263718         | 10   | 62      |             |  |
| Not shown | AV036A | 1256257 | KIT REMOTE LOGIX CONTROL W/TERMINAL BLOCKS P/N 1256257     | 10   | 62      |             |  |
| Not shown | AV023A | 1239979 | 4 PIN CONNECTOR CABLE START 700 SERIES                     | 10   | 62      | •           |  |

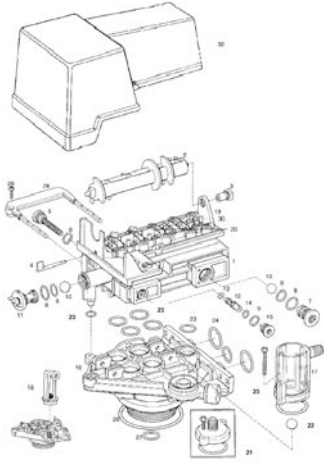


## PARTS LIST VALVE 255 D.I.

| Numero    | Ref     | P.N.    | Description   | Fam. | Subfam. | Disp. Stock |  |
|-----------|---------|---------|---|------|---------|-------------|--|
| N.Visual. | AW030   | 1030933 | BACWASH BALL 155 DEMI                                 | 10   | 64      | •           |  |
| N.Visual. | AW040   | 1033441 | CAP 255 DI P/N 1033442                                | 10   | 64      | •           |  |
| N.Visual. | AW041   | 1034117 | INJECTOR A 255 DI P/N 1034117                         | 10   | 64      | •           |  |
| N.Visual. | AW042   | 1034118 | INJECTOR B 255 DI P/N 1034118                         | 10   | 64      | •           |  |
| N.Visual. | AW043   | 1034119 | INJECTOR C 255 DI P/N 1034119                         | 10   | 64      | •           |  |
| N.Visual. | AW044   | 1033437 | BACKWASH 08 255DI P/N 1033437                         | 10   | 64      | •           |  |
| N.Visual. | AW045   | 1033438 | BACKWASH 09 255 DI P/N 1033438                        | 10   | 64      | •           |  |
| N.Visual. | AW046   | 1033439 | BACKWASH 10 255DI P/N 1033439                         | 10   | 64      | •           |  |
| N.Visual. | AW047   | 1033440 | BACKWASH 12 255DI P/N 1033440                         | 10   | 64      | •           |  |
| N.Visual. | AW048   | 1034110 | CHECK VALVE 255 DI                                    | 10   | 64      | •           |  |
| N.Visual. | AW049EP | 1034185 | EPDM O-RING SET FOR 255 DI VALVE TOP/BOTTOM COUPLING* | 10   | 64      | •           |  |
| N.Visual. | AW050EP | 1033268 | KIT OR EPDM 255 DI*                                   | 10   | 64      | •           |  |



## PARTS LIST VALVE 155



| Numero    | Ref    | P.N.    | Description                                   | Fam. | Subfam. | Disp. Stock |  |
|-----------|--------|---------|---|------|---------|-------------|--|
| 2         | AW150  | 1031950 | STANDARD CAMSHAFT ONE PIECE                   | 10   | 64      |             |  |
| 2         | AW152  | 1033025 | CANSHAFT XS-LR EXTRA SALT                     | 10   | 64      |             |  |
| 2         | AW153  | 1033026 | CAMSHAFT LONG RINSE                           | 10   | 64      |             |  |
| 3         | AW146A | 1030501 | CAMSHAFT BEARING FOR COVER Lid NEW STYLE      | 10   | 64      |             |  |
| 4         | AW185  | 1031391 | TIMER LOCKING PIN                             | 10   | 64      | •           |  |
| 7         | AW014  | 1000208 | BACKWASH CONTROL 06 WITH O-RING               | 10   | 64      | •           |  |
| 7         | AW100  | 1000209 | BACKWASH CONTROL 07 WITH O-RING               | 10   | 64      | •           |  |
| 7         | AW101  | 1000210 | BACKWASH CONTROL 08 WITH O-RING               | 10   | 64      | •           |  |
| 7         | AW102  | 1000211 | BACKWASH CONTROL 09 WITH O-RING               | 10   | 64      | •           |  |
| 7         | AW103  | 1000212 | BACKWASH CONTROL 10 WITH O-RING               | 10   | 64      | •           |  |
| 7         | AW104  | 1000213 | BACKWASH CONTROL 12 WITH O-RING               | 10   | 64      | •           |  |
| 7         | AW105  | 1000214 | BACKWASH CONTROL 13 WITH O-RING               | 10   | 64      | •           |  |
| 10        | AW139  | 1030502 | FLOW CONTROL BALL                             | 10   | 64      | •           |  |
| 11        | AW110  | 1034261 | BRINE REFILL CONTROL 10 Lbs                   | 10   | 64      | •           |  |
| 11        | AW111  | 1034263 | BRINE REFILL CONTROL 19 Lbs                   | 10   | 64      | •           |  |
| 12        | AW130  | 1032970 | INJECTOR A WHITE WITH O-RING                  | 10   | 64      | •           |  |
| 12        | AW131  | 1032971 | INJECTOR B BLUE WITH O-RING                   | 10   | 64      | •           |  |
| 12        | AW132  | 1032972 | INJECTOR C RED WITH O-RING                    | 10   | 64      | •           |  |
| 16        | AW170  | 1033784 | ADAPTER PRESSURE VESSEL 2.1/2" FOR TUBE 1.05" | 10   | 64      | •           |  |
| 17        | AW190  | 1032417 | KIT AIR-CHECK 1/4" MALE                       | 10   | 64      | •           |  |
| 20        | AW025  | 1033013 | VALVE DISCS KIT FOR 155-163-168               | 10   | 64      | •           |  |
| 21        | AW191  | 1033066 | NEW TO OLD AIR CHECK ADAPTER                  | 10   | 64      | •           |  |
| 22        | AW140  | 1030528 | AIR-CHECK BALL                                | 10   | 64      | •           |  |
| 23        | AW195  | 1001404 | O-RING SET FOR 255 VALVE TOP/BOTTOM COUPLING  | 10   | 64      | •           |  |
| 24        | AW196  | 1040459 | O-RING SET*                                   | 10   | 64      | •           |  |
| 25        | AW175  |         | INOX SCREW 8-32 UNC LG. 75mm                  | 10   | 64      | •           |  |
| N.Visual. | AW197  |         | O-RING SET W/SCREWS AND NUTS*                 | 10   | 64      | •           |  |
| 26        | AW172  | 3029969 | O-RING ADAPTER FOR PRESSURE VESSEL 2.1/2"     | 10   | 64      | •           |  |
| 27        | AW169  | 3030918 | O-RING 1.05"                                  | 10   | 64      | •           |  |
| 28        | AW173  | 1031405 | LOCKING BAR                                   | 10   | 64      | •           |  |
| 29        | AW174  | 3030450 | TOP PLATE SCREW NO 8x9/16"                    | 10   | 64      | •           |  |
| 30        | AW181  | 1001580 | VALVE DISC SPRING                             | 10   | 64      | •           |  |



## Autotrol Valves Series 255 Accessories



**Bypass Kits 256:** with gaskets, brass adapters, screws and nuts.

| Ref   | Description                     | Fam. | Subfam. | Disp. Stock |  |
|-------|---------------------------------|------|---------|-------------|--|
| AV028 | BY-PASS 256 KIT BRASS 3/4" GAS* | 10   | 62      | •           |  |
| AV029 | BY-PASS 256 KIT BRASS 1" GAS*   | 10   | 62      | •           |  |

| Ref   | Description                     | Connections in/out | Drain line |
|-------|---------------------------------|--------------------|------------|
| AV028 | BY-PASS 256 KIT BRASS 3/4" GAS* | 3/4"               | 1/2"       |
| AV029 | BY-PASS 256 KIT BRASS 1" GAS*   | 1"                 | 1/2"       |

| Box: WxLxH | Box: Q.ty | Box: Weight | Pallet: WxLxH | Pallet: Q.ty | Pallet: Weight |
|------------|-----------|-------------|---------------|--------------|----------------|
|            |           |             |               |              |                |



**Female manifold kits:** with o-rings, screws and nuts.

| Ref   | Description                          | Fam. | Subfam. | Disp. Stock |  |
|-------|--------------------------------------|------|---------|-------------|--|
| AV013 | MANIFOLD KIT NORYL FEMALE 3/4" BSPT* | 10   | 62      | •           |  |
| AV010 | MANIFOLD KIT BRASS FEMALE 3/4" GAS*  | 10   | 62      | •           |  |
| AV011 | MANIFOLD KIT BRASS FEMALE 1" GAS*    | 10   | 62      | •           |  |

| Ref   | Description                          | Connections In/Out | Drain line | Material |
|-------|--------------------------------------|--------------------|------------|----------|
| AV013 | MANIFOLD KIT NORYL FEMALE 3/4" BSPT* | 3/4"               | 1/2"       | Noryl    |
| AV010 | MANIFOLD KIT BRASS FEMALE 3/4" GAS*  | 3/4"               | 3/8"       | Brass    |
| AV011 | MANIFOLD KIT BRASS FEMALE 1" GAS*    | 1"                 | 1/2"       | Brass    |

| Box: WxLxH | Box: Q.ty | Box: Weight | Pallet: WxLxH | Pallet: Q.ty | Pallet: Weight |
|------------|-----------|-------------|---------------|--------------|----------------|
|            |           |             |               |              |                |



**Female mixing manifold kits :** with o-rings, screws and nuts.

| Ref   | Description                             | Fam. | Subfam. | Disp. Stock |  |
|-------|---|------|---------|-------------|--|
| AV007 | MANIFOLD KIT 3/4" GAS BRASS MIXER*      | 10   | 62      | •           |  |
| AV012 | MANIFOLD KIT BRASS FEMALE 1" GAS MIXER* | 10   | 62      | •           |  |

| Ref   | Description                             | Connections in/out | Drain line | Material |
|-------|---|--------------------|------------|----------|
| AV007 | MANIFOLD KIT 3/4" GAS BRASS MIXER*      | 3/4"               | 3/8"       | Brass    |
| AV012 | MANIFOLD KIT BRASS FEMALE 1" GAS MIXER* | 1"                 | 1/2"       | Brass    |

| Box: WxLxH | Box: Q.ty | Box: Weight | Pallet: WxLxH | Pallet: Q.ty | Pallet: Weight |
|------------|-----------|-------------|---------------|--------------|----------------|
|            |           |             |               |              |                |





## Autotrol Valves Series 255 Accessories



### Male manifold kits

- in plastic material Noryl;
- with o-rings, screws and nuts.

| Ref    | Description  | Fam. | Subfam. | Disp. Stock |  |
|--------|--|------|---------|-------------|--|
| AV001  | MANIFOLD 3/4" MALE WITH TURBINE P/N 1234260        | 10   | 62      | •           |  |
| AV001A | MANIFOLD 255 3/4" BSP MALE NORYL + KIT P/N 1234256 | 10   | 62      | •           |  |
| AV022  | MANIFOLD 1" MALE WITH TURBINE + KIT P/N 1234259    | 10   | 62      | •           |  |
| AV022A | MANIFOLD 255 1" BSP MALE NORYL + KIT P/N 1234255   | 10   | 62      | •           |  |

| Ref    | Description  | Connections in/out | Drain line | Option          |
|--------|--|--------------------|------------|-----------------|
| AV001  | MANIFOLD 3/4" MALE WITH TURBINE P/N 1234260        | 3/4"               | 3/4"       | With turbine    |
| AV001A | MANIFOLD 255 3/4" BSP MALE NORYL + KIT P/N 1234256 | 3/4"               | 3/4"       | Without turbine |
| AV022  | MANIFOLD 1" MALE WITH TURBINE + KIT P/N 1234259    | 1"                 | 1/2"       | With turbine    |
| AV022A | MANIFOLD 255 1" BSP MALE NORYL + KIT P/N 1234255   | 1"                 | 1/2"       | Without turbine |

| Box: WxLxH | Box: Q.ty | Box: Weight | Pallet: WxLxH | Pallet: Q.ty | Pallet: Weight |
|------------|-----------|-------------|---------------|--------------|----------------|
|            |           |             |               |              |                |

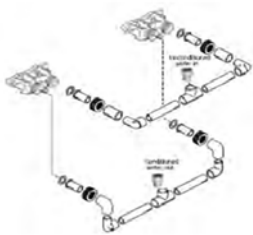


### Slim cover for valve 255 Logix

- in plastic material.

| Ref   | Description          | Fam. | Subfam. | Disp. Stock |  |
|-------|----------------------|------|---------|-------------|--|
| AW145 | 255 LOGIX SLIM COVER | 10   | 10      | •           |  |

| Box: WxLxH | Box: Q.ty | Box: Weight | Pallet: WxLxH | Pallet: Q.ty | Pallet: Weight |
|------------|-----------|-------------|---------------|--------------|----------------|
|            |           |             |               |              |                |



### D. 32 interconnection kit for 255/764twin residential duplex systems

- special manifold for AUTOTROL 255 valves included;
- for twin alternating and twin parallel systems

| Ref   | Description   | Fam. | Subfam. | Disp. Stock |  |
|-------|---|------|---------|-------------|--|
| AV119 | INTERCONNECTION KIT 255/764 TWIN D.32 X 1" FEMALE * | 10   | 62      | •           |  |

| Quantity | Description                               |
|----------|---|
| 2        | Adapter PVC-U D = 32 mm - 1"              |
| 2        | Tee connection T PVC-U D = 32 mm          |
| 4        | Elbow PVC-U D = 32 mm D1 = 25 mm          |
| 4        | Tube PVC-U D = 32 mm                      |
| 2        | Elbow D = 32 mm                           |
| 2        | Coupling sleeve D = 32 mm                 |
| 2        | Manifold kit with adapter D. 32 to glue   |
| 2        | 256 by-pass with o-rings, screws and nuts |

| Box: WxLxH | Box: Q.ty | Box: Weight | Pallet: WxLxH | Pallet: Q.ty | Pallet: Weight |
|------------|-----------|-------------|---------------|--------------|----------------|
|            |           |             |               |              |                |



## Autotrol Valves Series 263 - 268 - 278 Accessories

### 1265 bypass Kits

- special manifold for AUTOTROL valves series 263, 268 and 278;
- with gaskets, brass adapters and nuts.

| Ref   | Description                        | Fam. | Subfam. | Disp. Stock |  |
|-------|------------------------------------|------|---------|-------------|--|
| AV039 | BY-PASS 1265 KIT BRASS 1" GAS*     | 10   | 62      | •           |  |
| AV040 | BY-PASS KIT 1265 BRASS 1 1/4" GAS* | 10   | 62      | •           |  |

| Ref   | Description                        | Connections in/out |
|-------|------------------------------------|--------------------|
| AV039 | BY-PASS 1265 KIT BRASS 1" GAS*     | 1"                 |
| AV040 | BY-PASS KIT 1265 BRASS 1 1/4" GAS* | 1 ¼ "              |

| Box: WxLxH | Box: Q.ty | Box: Weight | Pallet: WxLxH | Pallet: Q.ty | Pallet: Weight |
|------------|-----------|-------------|---------------|--------------|----------------|
|            |           |             |               |              |                |

### Manifold Kits

- special manifold for AUTOTROL valves series 263, 268 and 278;
- with 2 gaskets, 2 adapters and 2 nuts.

| Ref    | Description                         | Fam. | Subfam. | Disp. Stock |  |
|--------|-------------------------------------|------|---------|-------------|--|
| AV030B | MANIFOLD KIT BRASS MALE 3/4" GAS*   | 10   | 62      | •           |  |
| AV031B | MANIFOLD KIT BRASS MALE " GAS*      | 10   | 62      | •           |  |
| AV032  | MANIFOLD KIT PVC D,32               | 10   | 62      | •           |  |
| AV038  | MANIFOLD KIT BRASS MALE 1 1/4" GAS* | 10   | 62      | •           |  |

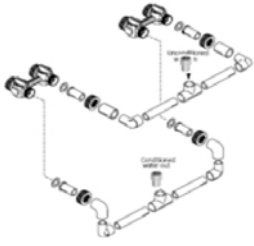
| Ref    | Description                         | Raccordi in/out |
|--------|-------------------------------------|-----------------|
| AV030B | MANIFOLD KIT BRASS MALE 3/4" GAS*   | ¾               |
| AV031B | MANIFOLD KIT BRASS MALE " GAS*      | 1"              |
| AV032  | MANIFOLD KIT PVC D,32               | D.32            |
| AV038  | MANIFOLD KIT BRASS MALE 1 1/4" GAS* | 1¼"             |

| Box: WxLxH | Box: Q.ty | Box: Weight | Pallet: WxLxH | Pallet: Q.ty | Pallet: Weight |
|------------|-----------|-------------|---------------|--------------|----------------|
|            |           |             |               |              |                |





## Autotrol Valves Series 278 Accessories



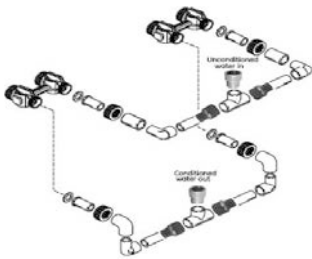
### Kit di intercollegamento D. 32 per sistemi duplex residenziali 278/764 twin

- special manifold for AUTOTROL 278 valves included;
- for twin alternating and twin parallel systems;
- with IN/OUT connection D.32;

| Ref   | Description   | Fam. | Subfam. | Disp. Stock |  |
|-------|---|------|---------|-------------|--|
| AV128 | INTERCONNECTION KIT 278/764 TWIN D.32 X 1" FEMALE * | 10   | 62      | •           |  |

| Quantity | Description                                |
|----------|--|
| 2        | Adapter PVC-U D = 32 mm - 1"               |
| 2        | Tee connection T PVC-U D = 32 mm           |
| 4        | Elbow PVC-U D = 32 mm D1 = 25 mm           |
| 4        | Tube PVC-U D = 32 mm                       |
| 2        | Elbow D = 32 mm                            |
| 2        | Coupling sleeve D = 32 mm                  |
| 2        | Manifold kit with adapter D. 32 to glue    |
| 2        | 1265 by-pass with o-rings, screws and nuts |

| Box: WxLxH | Box: Q.ty | Box: Weight | Pallet: WxLxH | Pallet: Q.ty | Pallet: Weight |
|------------|-----------|-------------|---------------|--------------|----------------|
|            |           |             |               |              |                |



### D.40 interconnection kit for 278/764twin residential duplex systems

- special manifold for AUTOTROL 278 valves included;
- for twin alternating and twin parallel systems;
- with IN/OUT connection D.40;

| Ref   | Description   | Fam. | Subfam. | Disp. Stock |  |
|-------|---|------|---------|-------------|--|
| AV129 | INTERCONNECTION KIT 278/764 TWIN D.40 X 1" 1/4 FEMALE * | 10   | 62      | •           |  |

| Quantity | Description                                |
|----------|--|
| 2        | Adapter PVC-U D = 40 mm - 1 1/4"           |
| 2        | Tee connection T PVC-U D = 40 mm           |
| 4        | Reducing socket PVC-U D = 40 mm D2 = 32 mm |
| 4        | Elbow PVC-U D = 32 mm D1 = 25 mm           |
| 4        | Tube PVC-U D = 32 mm                       |
| 2        | Elbow D = 32 mm                            |
| 2        | Coupling sleeve D = 32 mm                  |
| 2        | Manifold kit with adapter D. 32 to glue    |
| 2        | 1265 by-pass with o-rings, screws and nuts |

| Box: WxLxH | Box: Q.ty | Box: Weight | Pallet: WxLxH | Pallet: Q.ty | Pallet: Weight |
|------------|-----------|-------------|---------------|--------------|----------------|
|            |           |             |               |              |                |



## Autotrol Valves Magnum Accessories

### Magnum side mounting adapters

- in PVC material



| Ref    | Description                                     | Fam. | Subfam. | Disp. Stock |  |
|--------|---|------|---------|-------------|--|
| CC084  | SIDE MOUNT ADAPTER PVC 2" BSPT FEMALE           | 20   | 82      | •           |  |
| CC084A | MAGNUM SIDE MOUNT ADAPTER PVC D.63 MALE TO GLUE | 20   | 82      | •           |  |

| Box: WxLxH | Box: Q.ty | Box: Weight | Pallet: WxLxH | Pallet: Q.ty | Pallet: Weight |
|------------|-----------|-------------|---------------|--------------|----------------|
|            |           |             |               |              |                |

### Manifold kits

- with 3 nuts, 3 gaskets and 3 adapters.



| Ref   | Description                                  | Fam. | Subfam. | Disp. Stock |  |
|-------|--|------|---------|-------------|--|
| CC080 | MAGNUM 1,5" STAINLESS STEEL ADAPTER KIT BSPT | 20   | 82      | •           |  |
| CC081 | MAGNUM 2" PVC D.50 MM ADAPTER KIT            | 20   | 82      | •           |  |
| CC082 | MAGNUM 2" STAINLESS STEEL ADAPTER KIT BSPT   | 20   | 82      | •           |  |
| CC083 | MAGNUM 2" PVC D.63 MM ADAPTER KIT            | 20   | 82      | •           |  |

| Ref   | Description                                  | in/out Connection | For autotrol valve    |
|-------|--|-------------------|-----------------------|
| CC080 | MAGNUM 1,5" STAINLESS STEEL ADAPTER KIT BSPT | 1½"BSPT           | Magnum cv 1,5" series |
| CC081 | MAGNUM 2" PVC D.50 MM ADAPTER KIT            | D.50              | Magnum cv 1,5" series |
| CC082 | MAGNUM 2" STAINLESS STEEL ADAPTER KIT BSPT   | 2" BSPT           | Magnum it 2" series   |
| CC083 | MAGNUM 2" PVC D.63 MM ADAPTER KIT            | D.63              | Magnum it 2" series   |

| Box: WxLxH | Box: Q.ty | Box: Weight | Pallet: WxLxH | Pallet: Q.ty | Pallet: Weight |
|------------|-----------|-------------|---------------|--------------|----------------|
|            |           |             |               |              |                |



## Autotrol Valves Magnum Accessories



### D.25 NPT 3/4" Pipe Union

- Suitable for brine line connection of the Magnum valves, alone or in coupling with a bonding hose connection (REF. CC086);
- In PVC-U.

| Ref   | Description               | Fam. | Subfam. | Disp. Stock |  |
|-------|---------------------------|------|---------|-------------|--|
| CC085 | UNION D.25 NPT 3/4" PVC-U | 20   | 82      | •           |  |

| Box: WxLxH | Box: Q.ty | Box: Weight | Pallet: WxLxH | Pallet: Q.ty | Pallet: Weight |
|------------|-----------|-------------|---------------|--------------|----------------|
|            |           |             |               |              |                |



### D.25 Drain Fitting to glue

- Suitable for brine line connection of the Magnum valves, in coupling with D.25 NPT 3/4" pipe union (REF. CC085);
- In PVC-U.

| Ref   | Description                        | Fam. | Subfam. | Disp. Stock |  |
|-------|------------------------------------|------|---------|-------------|--|
| CC086 | HOSE CONNECTION D.25 PVC-U TO GLUE | 20   | 82      | •           |  |

| Box: WxLxH | Box: Q.ty | Box: Weight | Pallet: WxLxH | Pallet: Q.ty | Pallet: Weight |
|------------|-----------|-------------|---------------|--------------|----------------|
|            |           |             |               |              |                |

## Valves Accessories

### Blending kit for Autotrol valves

- kit of nut and screw to install on 255 and 268 valves for blending of hard and softened water;
- insert the nut into the blending valve orifice located near the bypass flapper (fig.1). Insert the screw through the top plate and the nut, and the screw until it touch the bypass flapper (fig.2);
- tightening the screw will force the bypass flapper open witch will blend hard water into the softened water supply (fig. 3).  
Loosening
- the screw will allow the bypass flapper to close reducing the blending;
- test the water and adjust the screw until the desired hardness level is reached.

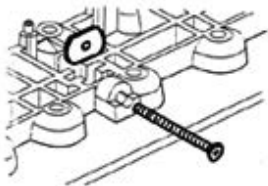


Fig. 1

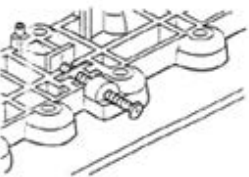


Fig. 2

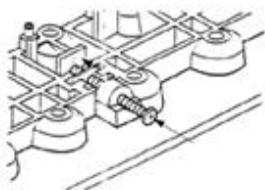


Fig. 3

| Ref   | Description   | Fam. | Subfam. | Disp. Stock |  |
|-------|---|------|---------|-------------|--|
| AV037 | BLENDING KIT SCREW FOR 700 SERIES AND 255/400 NEW STYLE | 10   | 62      | •           |  |
| AV185 | MIXING VALVE FOR 366-368 VALVE                          | 10   | 62      | •           |  |

| Box: WxLxH | Box: Q.ty | Box: Weight | Pallet: WxLxH | Pallet: Q.ty | Pallet: Weight |
|------------|-----------|-------------|---------------|--------------|----------------|
|            |           |             |               |              |                |



## Valves Accessories

### Twist lock upper screens



- in ABS;
- max diameter 60 mm, length 64 mm;
- slots 0,3 mm.

| Ref   | Description   | Fam. | Subfam. | Disp. Stock |  |
|-------|---|------|---------|-------------|--|
| AV070 | UPPER SCREEN 13/16" BAJONET (FOR 255 VALVE)             | 10   | 62      | •           |  |
| AV071 | UPPER SCREEN 1.05" BAJONET (FOR 255,263,268,278 VALVES) | 10   | 62      | •           |  |

| Box: WxLxH | Box: Q.ty | Box: Weight | Pallet: WxLxH | Pallet: Q.ty | Pallet: Weight |
|------------|-----------|-------------|---------------|--------------|----------------|
|            |           |             |               |              |                |

| Certificates | Manufacturer | Sectors  |
|--------------|--------------|----------|
| DM174-2004   |              | Domestic |

### Upper screen



- in ABS;
- max diameter 60 mm, length 64 mm;
- slots 0,3 mm.

| Ref   | Description                             | Fam. | Subfam. | Disp. Stock |  |
|-------|---|------|---------|-------------|--|
| AV073 | UPPER SCREEN 1.05" (FOR 163,168 VALVES) | 10   | 62      | •           |  |

| Box: WxLxH | Box: Q.ty | Box: Weight | Pallet: WxLxH | Pallet: Q.ty | Pallet: Weight |
|------------|-----------|-------------|---------------|--------------|----------------|
|            |           |             |               |              |                |

| Certificates | Manufacturer | Sectors  |
|--------------|--------------|----------|
| DM174-2004   |              | Domestic |

### Upper screens to glue



- in ABS;
- diameter 88 mm;
- slots 0,3 mm.

| Ref   | Description                             | Fam. | Subfam. | Disp. Stock |  |
|-------|---|------|---------|-------------|--|
| CF010 | UPPER SCREEN D.41.8 MM                  | 20   | 87      | •           |  |
| CF013 | UPPER SCREEN VALVE 180 DIA 48.3 MM      | 20   | 87      | •           |  |
| CC050 | UPPER SCREEN D=48,3 MM                  | 20   | 82      | •           |  |
| PV407 | UPPER SCREEN FOR 4" ADAPTER 1.1/4" TUBE | 50   | 241     | •           |  |

| Ref   | Lenght (mm) | For tube (mm) | For autotrol valve |
|-------|-------------|---------------|--------------------|
| CF010 | 98          | 41,8 (1¼ ")   | 180 old model      |
| CF013 | 98          | 48,3          | 180 new model      |
| CC050 | 150         | 48,3          | Magnum             |
| PV407 | 150         | 41,8 (1¼ ")   | Adapter 4"-PV402   |

| Box: WxLxH | Box: Q.ty | Box: Weight | Pallet: WxLxH | Pallet: Q.ty | Pallet: Weight |
|------------|-----------|-------------|---------------|--------------|----------------|
|            |           |             |               |              |                |

| Certificates | Manufacturer | Sectors                          |
|--------------|--------------|----------------------------------|
| DM174-2004   |              | Domestic, Commercial, Industrial |



## Valves Accessories



### Fittings for valves

- Jaco Style elbow fittings for 3/8" tubing;
- material PP.

| Ref   | Description                         | Fam. | Subfam. | Disp. Stock |  |
|-------|-------------------------------------|------|---------|-------------|--|
| AV150 | ELBOW FITTING AIR-CHECK 1/4" FEMALE | 10   | 62      | •           |  |
| AV154 | ELBOW FITTING 3/8" FEMALE           | 10   | 62      | •           |  |

| Ref   | Description                         | For autotrol valve |
|-------|-------------------------------------|--------------------|
| AV150 | ELBOW FITTING AIR-CHECK 1/4" FEMALE | 255                |
| AV154 | ELBOW FITTING 3/8" FEMALE           | 268-366-368        |

| Certificates | Manufacturer | Sectors  |
|--------------|--------------|----------|
|              |              | Domestic |



### Fittings for valves

- Jaco Style straight fittings for 3/8" tubing;
- material PP.

| Ref   | Description                             | Fam. | Subfam. | Disp. Stock |  |
|-------|---|------|---------|-------------|--|
| AV161 | STRIGHT FITTING 1/8" MALE JC 10-6-2 PPG | 10   | 62      | •           |  |
| AV152 | STRAIGHT FITTING 1/4" MALE              | 10   | 62      | •           |  |
| AV153 | STRAIGHT FITTING 3/8" MALE              | 10   | 62      | •           |  |

| Certificates | Manufacturer | Sectors  |
|--------------|--------------|----------|
|              |              | Domestic |



### Fittings for valves

- Jaco Style elbow fittings for 3/8" tubing;
- material PP.

| Ref   | Description                       | Fam. | Subfam. | Disp. Stock |  |
|-------|-----------------------------------|------|---------|-------------|--|
| AV151 | ELBOW FITTING AIR-CHECK 1/4" MALE | 10   | 62      | •           |  |
| AV159 | ELBOW FITTING 3/8" MALE           | 10   | 62      | •           |  |

| Ref   | Description                       | For Autotrol valve |
|-------|-----------------------------------|--------------------|
| AV151 | ELBOW FITTING AIR-CHECK 1/4" MALE | 155                |
| AV159 | ELBOW FITTING 3/8" MALE           |                    |

| Certificates | Manufacturer | Sectors  |
|--------------|--------------|----------|
|              |              | Domestic |



## Valves Accessories



### Fittings for valves

- Jaco Style bulkhead union for 3/8" tubing;
- material PP.

| Ref   | Description         | Fam. | Subfam. | Disp. Stock |  |
|-------|---------------------|------|---------|-------------|--|
| AV156 | BULKHEAD UNION 3/8" | 10   | 62      | •           |  |

| Certificates | Manufacturer | Sectors  |
|--------------|--------------|----------|
|              |              | Domestic |



### Fittings for valves

- Jaco Style union elbow for 3/8" tubing;
- material PP.

| Ref   | Description              | Fam. | Subfam. | Disp. Stock |  |
|-------|--------------------------|------|---------|-------------|--|
| AV155 | ELBOW FITTING UNION 3/8" | 10   | 62      | •           |  |

| Certificates | Manufacturer | Sectors  |
|--------------|--------------|----------|
|              |              | Domestic |



### Fittings for valves

- Jaco Style union TEE for 3/8" tubing;
- material PP.

| Ref   | Description          | Fam. | Subfam. | Disp. Stock |  |
|-------|----------------------|------|---------|-------------|--|
| AV158 | UNION TEE 3/8" UNION | 10   | 62      | •           |  |

| Certificates | Manufacturer | Sectors  |
|--------------|--------------|----------|
|              |              | Domestic |



### Straight drain fittings

- suitable for flexible hose 12,7 mm internal diameter;
- material nylon.

| Ref   | Description                      | Fam. | Subfam. | Disp. Stock |  |
|-------|----------------------------------|------|---------|-------------|--|
| AV170 | STRAIGHT DRAIN FITTING 3/8" M    | 10   | 62      | •           |  |
| AV171 | STRAIGHT DRAIN FITTING 1/2" M    | 10   | 62      | •           |  |
| AV169 | STRAIGHT DRAIN FITTING 1/2" FX16 | 10   | 62      | •           |  |

| Certificates | Manufacturer | Sectors  |
|--------------|--------------|----------|
|              |              | Domestic |





### Elbowed drain fittings

- suitable for flexible hose 12,7 mm internal diameter;
- material nylon / polyethylene.

| Ref   | Description                | Fam. | Subfam. | Disp. Stock |  |
|-------|----------------------------|------|---------|-------------|--|
| AV172 | ELBOW DRAIN FITTING 3/8" M | 10   | 62      | •           |  |
| AV173 | ELBOW DRAIN FITTING 1/2" M | 10   | 62      | •           |  |
| AV174 | ELBOW DRAIN FITTING 1/2" F | 10   | 62      | •           |  |
| AV175 | ELBOW DRAIN FITTING 3/4" F | 10   | 62      | •           |  |

| Certificates | Manufacturer | Sectors  |
|--------------|--------------|----------|
|              |              | Domestic |



### Overflow elbows with nut

- material nylon.

| Ref   | Description         | Fam. | Subfam. | Disp. Stock |  |
|-------|---------------------|------|---------|-------------|--|
| AV180 | OVERFLOW ELBOW 3/8" | 10   | 62      | •           |  |
| AV181 | OVERFLOW ELBOW 1/2" | 10   | 62      | •           |  |

| Ref   | Description         | For hose int. ø (mm) |
|-------|---------------------|----------------------|
| AV180 | OVERFLOW ELBOW 3/8" | 12,7                 |
| AV181 | OVERFLOW ELBOW 1/2" | 15,5                 |

| Certificates | Manufacturer | Sectors  |
|--------------|--------------|----------|
|              |              | Domestic |



## Valves Accessories

### Pvc tubes to glue

- for lower diffusers and lower lateral systems;
- to glue;
- in PVC.

| Ref   | Description   | Fam. | Subfam. | Disp. Stock |  |
|-------|---|------|---------|-------------|--|
| AV083 | PVC TUBE 13/16" OD (D OUT.=20,6MM - D IN.=18MM +0/-0,3) L=889MM(35")  | 10   | 62      | •           |  |
| AV084 | PVC TUBE 13/16" OD (D OUT.=20,6MM - D IN.=18MM +0/-0,3) L=1397MM(55") | 10   | 62      | •           |  |
| AV087 | PVC TUBE 1.05" OD (D OUT.=26,6MM - D IN.=23MM +0/-0,3) L=1829MM(72")  | 10   | 62      | •           |  |
| AV632 | PVC TUBE D=32 MM (D OUT.=32MM - D IN.=28,4MM +0/-0,3) L=2000MM        | 22   | 940     | •           |  |
| CF012 | PVC TUBE D=41,8 MM (D OUT.=42MM - D IN.=36MM +0/-0,3) L=2000MM        | 20   | 87      | •           |  |
| CC052 | PVC TUBE D=48,3 MM (D OUT.=48,35MM - D IN.=42,3MM +0/-0,3) L=2000MM   | 20   | 82      | •           |  |
| CF050 | PVC TUBE D=50 MM (D OUT.=50MM - D IN.=43,96MM +0/-0,3) L=2000MM       | 22   | 970     | •           |  |
| CF063 | PVC TUBE D=63 MM (D OUT.=63MM - D IN.=56,96MM +0/-0,3) L=2000MM       | 22   | 970     | •           |  |

| Certificates | Manufacturer | Sectors                          |
|--------------|--------------|----------------------------------|
| DM174-2004   |              | Domestic, Commercial, Industrial |

### Diffusors with tube

- 1,05" hi-flow lower diffuser;
- PVC tube included;
- slots 0,3 mm.

| Ref    | Description  | Fam. | Subfam. | Disp. Stock |  |
|--------|--|------|---------|-------------|--|
| AV116M | PVC TUBE 1.05" OD L=432MM(17") + LOWER DIFFUSER AV097  | 10   | 62      | •           |  |
| AV117M | PVC TUBE 1.05" OD L=889MM(35") + LOWER DIFFUSER AV097  | 10   | 62      | •           |  |
| AV103M | PVC TUBE 1.05" OD L=1397MM(55") + LOWER DIFFUSER AV097 | 10   | 62      | •           |  |
| AV104M | PVC TUBE 1.05" OD L=1829MM(72") + LOWER DIFFUSER AV097 | 10   | 62      | •           |  |

| Certificates | Manufacturer | Sectors  |
|--------------|--------------|----------|
|              |              | Domestic |





## Valves Accessories

### Lower diffusors to glue

- lower diffusors in ABS; max diameter 60 mm;
- slots 0,3 mm; connection to glue.

| Ref    | Description                                | Fam. | Subfa m. | Disp. Stock |  |
|--------|--|------|----------|-------------|--|
| AV098  | LOWER DIFFUSER CONIC (FOR 1.3/16" OD TUBE) | 10   | 62       | •           |  |
| AV098A | LOWER DIFFUSER CONIC (FOR 1.05" OD TUBE)   | 10   | 62       | •           |  |
| AV097  | LOWER DIFFUSER (FOR 1.05" OD TUBE)         | 10   | 62       | •           |  |

| Ref    | Height (mm)  | Flow (lpm) Δp 30 mbar |
|--------|--------------|-----------------------|
| AV098  | 70           | 24                    |
| AV098A | 80           | 32                    |
| AV097  | 90 high flow | 40                    |

| Certificates | Manufacturer | Sectors  |
|--------------|--------------|----------|
|              |              | Domestic |

### Cylindrical lower diffusors

- cylindrical lower diffusor in ABS, diameter 88 mm;
- slots 0,3 mm; connection to glue.

| Ref   | Description  | Fam. | Subfa m. | Disp. Stock |  |
|-------|--|------|----------|-------------|--|
| PV315 | CYLINDRICAL LOWER DIFFUSER D. 1,05*                          | 10   | 62       | •           |  |
| CF011 | CYLINDRICAL LOWER DIFFUSER L=98MM TO GLUE FOR TUBE D=41,8MM  | 20   | 87       | •           |  |
| CF014 | CYLINDRICAL LOWER DIFFUSER L=98MM TO GLUE FOR TUBE D=48,3MM  | 20   | 87       | •           |  |
| CC051 | CYLINDRICAL LOWER DIFFUSER L=150MM TO GLUE FOR TUBE D=48,3MM | 20   | 82       | •           |  |

| Item | Ref   | Length. (mm) | Ø For tube (mm) | For Autotrol valve   |
|------|-------|--------------|-----------------|----------------------|
| 1    | PV315 | 72           | 26,7 (1,05")    | PERFORMA             |
| 1    | CF011 | 98           | 41,8 (1¼")      | 180 old model -PV402 |
| 1    | CF014 | 98           | 48,3            | 180 new model        |
| 2    | CC051 | 150          | 48,3            | Magnum               |

| Certificates | Manufacturer | Sectors                |
|--------------|--------------|------------------------|
| DM174-2004   |              | Commercial, Industrial |

### Segmented lower diffusors

- segmented lower diffusor in ABS;
- diameter 66 mm;
- slots 0,3 mm;
- to glue on tube 1,05";
- flow = 50 lpm Δp 30 mbar.

| Ref    | Description                                  | Fam. | Subfa m. | Disp. Stock |  |
|--------|--|------|----------|-------------|--|
| AV099A | SEGMENTED LOWER DIFFUSER (FOR 1.05" OD TUBE) | 10   | 62       | •           |  |
| AV099C | SEGMENTED LOWER DIFFUSER (FOR D.32 MM TUBE)  | 10   | 62       | •           |  |

| Ref    | Length. (mm) | Ø For tube (mm) |
|--------|--------------|-----------------|
| AV099A | 102          | 26,7 (1,05")    |
| AV099C | 98,5         | 32              |





## Valves Accessories

### Lower lateral systems for top mounted valves

- For top mounted valves;
- ABS material;
- With 8 laterals (threaded connection) slots 0,3 mm;
- Hub connection to glue.



| Ref   | Description   | Fam. | Subfam. | Disp. Stock |  |
|-------|---|------|---------|-------------|--|
| PV316 | LOWER THREADED LATERAL DIFFUSER FOR 263-268-278 14"-16"       | 10   | 62      | •           |  |
| PV317 | LOWER THREADED LATERAL DIFFUSER FOR 263-268-278 18"-21"-24"   | 10   | 62      | •           |  |
| PV318 | LOWER THREADED LATERAL DIFFUSER FOR PV402 ADAPTER 14"-16"     | 20   | 87      | •           |  |
| PV319 | LOWER THREADED LATERAL DIFFUSER FOR PV402 ADAPTER 18"-21"-24" | 20   | 87      | •           |  |
| PV320 | LOWER THREADED LATERAL DIFFUSER FOR MAGNUM 14"-16"            | 20   | 82      | •           |  |
| PV321 | LOWER THREADED LATERAL DIFFUSER FOR MAGNUM 18"-21"-24"        | 20   | 82      | •           |  |
| PV322 | LOWER THREADED LATERAL DIFFUSER FOR MAGNUM 30"                | 20   | 82      | •           |  |
| PV323 | LOWER THREADED LATERAL DIFFUSER FOR MAGNUM 36"                | 20   | 82      | •           |  |

| Ref   | Description   | Ø Useful fo vessel (pollici) | Ø Hub connect for tube (mm) |
|-------|---|------------------------------|-----------------------------|
| PV316 | LOWER THREADED LATERAL DIFFUSER FOR 263-268-278 14"-16"       | 14"-16"                      | 26,7 (1,05")                |
| PV317 | LOWER THREADED LATERAL DIFFUSER FOR 263-268-278 18"-21"-24"   | 18"-21"-24"                  | 26,7 (1,05")                |
| PV318 | LOWER THREADED LATERAL DIFFUSER FOR PV402 ADAPTER 14"-16"     | 14"-16"                      | 41,8 (1¼")                  |
| PV319 | LOWER THREADED LATERAL DIFFUSER FOR PV402 ADAPTER 18"-21"-24" | 18"-21"-24"                  | 41,8 (1¼")                  |
| PV320 | LOWER THREADED LATERAL DIFFUSER FOR MAGNUM 14"-16"            | 14"-16"                      | 48,3 (1,90")                |
| PV321 | LOWER THREADED LATERAL DIFFUSER FOR MAGNUM 18"-21"-24"        | 18"-21"-24"                  | 48,3 (1,90")                |
| PV322 | LOWER THREADED LATERAL DIFFUSER FOR MAGNUM 30"                | 30"                          | 48,3 (1,90")                |
| PV323 | LOWER THREADED LATERAL DIFFUSER FOR MAGNUM 36"                | 36"                          | 48,3 (1,90")                |

| Box: WxLxH | Box: Q.ty | Box: Weight | Pallet: WxLxH | Pallet: Q.ty | Pallet: Weight |
|------------|-----------|-------------|---------------|--------------|----------------|
|            |           |             |               |              |                |

| Certificates | Manufacturer | Sectors                |
|--------------|--------------|------------------------|
|              |              | Commercial, Industrial |



## Lower lateral systems for top mounted valves

- For top mounted valves;
- ABS material;
- With 6 twist lock laterals, slots 0,25 mm;
- Hub connection to glue.

| Ref      | Description   | Fam. | Subfam. | Disp. Stock |  |
|----------|---|------|---------|-------------|--|
| PV316B   | TWIST LOCK LOWER LATERAL DIFFUSER FOR 263-268-278 14-16"    | 10   | 62      | •           |  |
| PV317B   | TWIST LOCK LOWER LATERAL DIFFUSER FOR 263-268-278 18-21-24" | 10   | 62      | •           |  |
| PV318B   | TWIST LOCK LOWER LATERAL DIFFUSER FOR PV102 14-16"          | 10   | 62      | •           |  |
| PV319B   | TWIST LOCK LOWER LATERAL DIFFUSER FOR PV102 18-21-24"       | 10   | 62      | •           |  |
| PV320B   | TWIST LOCK LOWER LATERAL DIFFUSER FOR MAGNUM 14-16"         | 10   | 62      | •           |  |
| PV321B   | TWIST LOCK LOWER LATERAL DIFFUSER FOR MAGNUM 18-21-24"      | 10   | 62      | •           |  |
| PV322B   | TWIST LOCK LOWER LATERAL DIFFUSER FOR MAGNUM 30"            | 10   | 62      | •           |  |
| PV323B   | TWIST LOCK LOWER LATERAL DIFFUSER FOR MAGNUM 36"            | 10   | 62      | •           |  |
| PV320B50 | TWIST LOCK LOWER LATERAL DIFFUSER FOR D.50 TUBE 14-16"      | 10   | 62      | •           |  |
| PV321B50 | TWIST LOCK LOWER LATERAL DIFFUSER FOR D.50 TUBE 18-21-24"   | 10   | 62      | •           |  |
| PV322B50 | TWIST LOCK LOWER LATERAL DIFFUSER FOR D.50 TUBE 30"         | 10   | 82      | •           |  |
| PV323B50 | TWIST LOCK LOWER LATERAL DIFFUSER FOR D.50 TUBE 36"         | 10   | 82      | •           |  |

| Ref      | Ø Useful for vessels (inch) | Ø Hub connect for tube (mm) | Ø D (mm) | For Autotrol valve |
|----------|-----------------------------|-----------------------------|----------|--------------------|
| PV316B   | 14"-16"                     | 26,7 (1,05")                | 260      | PERFORMA           |
| PV317B   | 18"-21"-24"                 | 26,7 (1,05")                | 373      | PERFORMA           |
| PV318B   | 14"-16"                     | 41,8 (1¼")                  | 260      | PV402              |
| PV319B   | 18"-21"-24"                 | 41,8 (1¼")                  | 373      | PV402              |
| PV320B   | 14"-16"                     | 48,3 (1,90")                | 260      | MAGNUM             |
| PV321B   | 18"-21"-24"                 | 48,3 (1,90")                | 373      | MAGNUM             |
| PV322B   | 30"                         | 48,3 (1,90")                | 563      | MAGNUM             |
| PV323B   | 36"                         | 48,3 (1,90")                | 705      | MAGNUM             |
| PV320B50 | 14"-16"                     | 50 (2")                     | 260      |                    |
| PV321B50 | 18"-21"-24"                 | 50 (2")                     | 373      |                    |
| PV322B50 | 30"                         | 50 (2")                     | 563      |                    |
| PV323B50 | 36"                         | 50 (2")                     | 705      |                    |

| Box: WxLxH | Box: Q.ty | Box: Weight | Pallet: WxLxH | Pallet: Q.ty | Pallet: Weight |
|------------|-----------|-------------|---------------|--------------|----------------|
|            |           |             |               |              |                |

| Certificates | Manufacturer | Sectors                |
|--------------|--------------|------------------------|
|              |              | Commercial, Industrial |



## Valves Accessories

### Diffusor for brine draw

- connection for rigid or flexible tube 3/8".

| Ref   | Description                     | Fam. | Subfam. | Disp. Stock |  |
|-------|---------------------------------|------|---------|-------------|--|
| AV118 | DIFFUSER FOR BRINE TUBE 3/8" OD | 10   | 62      | •           |  |

| Box: WxLxH | Box: Q.ty | Box: Weight | Pallet: WxLxH | Pallet: Q.ty | Pallet: Weight |
|------------|-----------|-------------|---------------|--------------|----------------|
|            |           |             |               |              |                |

| Certificates | Manufacturer | Sectors  |
|--------------|--------------|----------|
|              |              | Domestic |



### Mesh type screen with tube

- mesh type screen for brine complete with 3/8" PVC tube length 42".

| Ref    | Description   | Fam. | Subfam. | Disp. Stock |  |
|--------|---|------|---------|-------------|--|
| AV090M | PVC TUBE 3/8" OD L=1067MM(42") + MESH TYPE SCREEN AV075 | 10   | 62      | •           |  |

| Box: WxLxH | Box: Q.ty | Box: Weight | Pallet: WxLxH | Pallet: Q.ty | Pallet: Weight |
|------------|-----------|-------------|---------------|--------------|----------------|
|            |           |             |               |              |                |

| Certificates | Manufacturer | Sectors  |
|--------------|--------------|----------|
|              |              | Domestic |



### Mesh type screen for brine

- For 3/8" tube to glue.

| Ref   | Description                                   | Fam. | Subfam. | Disp. Stock |  |
|-------|---|------|---------|-------------|--|
| AV075 | MESH TYPE SCREEN FOR BRINE (FOR 3/8" OD TUBE) | 10   | 62      | •           |  |

| Box: WxLxH | Box: Q.ty | Box: Weight | Pallet: WxLxH | Pallet: Q.ty | Pallet: Weight |
|------------|-----------|-------------|---------------|--------------|----------------|
|            |           |             |               |              |                |

| Certificates | Manufacturer | Sectors  |
|--------------|--------------|----------|
|              |              | Domestic |





## Valves Accessories



### Polyethylene flexible tube

- flexible tube 3/8" (= 9,52 mm) diameter;
- transparent;
- hanks of 30 m.

| Ref   | Description                 | Fam. | Subfam. | Disp. Stock |  |
|-------|-----------------------------|------|---------|-------------|--|
| AV140 | POLYETILENE 3/8" ROLL 30 MT | 10   | 62      | •           |  |

| Box: WxLxH | Box: Q.ty | Box: Weight | Pallet: WxLxH | Pallet: Q.ty | Pallet: Weight |
|------------|-----------|-------------|---------------|--------------|----------------|
|            |           |             |               |              |                |

| Certificates | Manufacturer | Sectors  |
|--------------|--------------|----------|
| DM174-2004   |              | Domestic |



### J-tube air-check with tube

- J-tube with air-check, complete with PVC tube.

| Ref    | Description                                      | Fam. | Subfam. | Disp. Stock |  |
|--------|--|------|---------|-------------|--|
| AV093M | PVC TUBE 3/8" OD L=1067MM(42") + AIR-CHECK AV108 | 10   | 62      | •           |  |
| CC064M | PVC TUBE 3/4" OD L=1200MM + AIR-CHECK CC063      | 10   | 62      | •           |  |

| Ref    | Description                                      | Tube diameter (inch) | Lenght (mm) |
|--------|--|----------------------|-------------|
| AV093M | PVC TUBE 3/8" OD L=1067MM(42") + AIR-CHECK AV108 | 3/8"                 | 1060        |
| CC064M | PVC TUBE 3/4" OD L=1200MM + AIR-CHECK CC063      | 3/4"                 | 1200        |

| Box: WxLxH | Box: Q.ty | Box: Weight | Pallet: WxLxH | Pallet: Q.ty | Pallet: Weight |
|------------|-----------|-------------|---------------|--------------|----------------|
|            |           |             |               |              |                |

| Certificates | Manufacturer | Sectors                          |
|--------------|--------------|----------------------------------|
| DM174-2004   |              | Domestic, Commercial, Industrial |



## Brine Valves Accessories

### Model 464

- model 464 Standard version (for no timed refill controls) and High Flow (for timed refill controls);
- connection for 3/8" tubing;
- length tube 42" (1060 mm);
- length float rod 600 mm;
- brine draw rate 3,8 l/min @ 152 mm Hg vacuum;
- max operating pressure 8,5 bar 40°C;
- brine well diameter 90 mm min.



| Ref   | Description   | Fam. | Subfam. | Disp. Stock |  |
|-------|---|------|---------|-------------|--|
| AV096 | 464 STANDARD BRINE VALVE KIT + PVC TUBE 3/8" OD L=1067MM(42")*  | 10   | 62      | •           |  |
| AV125 | 464 HIGH FLOW BRINE VALVE KIT + PVC TUBE 3/8" OD L=1067MM(42")* | 10   | 62      | •           |  |

| Ref   | Description   | Refill flow rate (l/min) @ 3,5 bar |
|-------|---|------------------------------------|
| AV096 | 464 STANDARD BRINE VALVE KIT + PVC TUBE 3/8" OD L=1067MM(42")*  | 1,3                                |
| AV125 | 464 HIGH FLOW BRINE VALVE KIT + PVC TUBE 3/8" OD L=1067MM(42")* | 3,8                                |

| Box: WxLxH | Box: Q.ty | Box: Weight | Pallet: WxLxH | Pallet: Q.ty | Pallet: Weight |
|------------|-----------|-------------|---------------|--------------|----------------|
|            |           |             |               |              |                |

| Certificates | Manufacturer | Sectors  |
|--------------|--------------|----------|
|              |              | Domestic |

### Model 484

- complete with 3/4" tube length 1200 mm;
- length float rod 915 mm;
- refill flow rate 15 l/min @ 3,5 bar;
- brine draw rate 38 l/min @ 66 mm Hg vacuum;
- max operating pressure 8,5 bar @ 40°C;
- brine well diameter 130 mm.



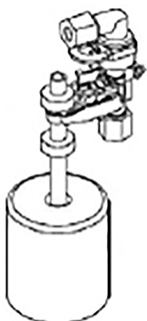
| Ref   | Description                                  | Fam. | Subfam. | Disp. Stock |  |
|-------|--|------|---------|-------------|--|
| CC059 | PVC TUBE 3/4" OD L=1200MM + 484 BRINE VALVE* | 20   | 82      | •           |  |

| Box: WxLxH | Box: Q.ty | Box: Weight | Pallet: WxLxH | Pallet: Q.ty | Pallet: Weight |
|------------|-----------|-------------|---------------|--------------|----------------|
|            |           |             |               |              |                |

| Certificates | Manufacturer | Sectors                |
|--------------|--------------|------------------------|
|              |              | Commercial, Industrial |

### Model 2310

- length float rod 774 mm;
- refill flow rate 4,5 l/min;
- brine draw rate 2,1 l/min;
- max operating pressure 8,6 bar @ 40°C;
- brine well diameter 100 mm;
- without air check.



| Ref          | Description                              | Fam. | Subfam. | Disp. Stock |  |
|--------------|--|------|---------|-------------|--|
| FVA060067-03 | SBV 2310 - BRINE VALVE WITHOUT AIR CHECK | 23   | 590     | •           |  |

| Box: WxLxH | Box: Q.ty | Box: Weight | Pallet: WxLxH | Pallet: Q.ty | Pallet: Weight |
|------------|-----------|-------------|---------------|--------------|----------------|
|            |           |             |               |              |                |

| Certificates | Manufacturer | Sectors |
|--------------|--------------|---------|
|              |              |         |





## Valves Accessories

### Heads for tank



- PVC heads for tank complete with NBR o-ring;
- max operating pressure 8 bar;
- max operating temperature 50°C;
- REF. PV400 and REF. PV401 are to use with upper screen REF. AV073 and with lower diffusors on catalogue;
- REF. PV402 is to use with upper screen REF. PV407 and with lower diffusor REF. CF011.

| Ref   | Description                             | Fam. | Subfam. | Disp. Stock |  |
|-------|---|------|---------|-------------|--|
| PV400 | ADAPTER 2.1/2" IN/OUT 3/4" GAS F W/PLUG | 50   | 240     | •           |  |
| PV401 | ADAPTER 2.1/2" IN/OUT 3/4" GAS F        | 50   | 240     | •           |  |
| PV402 | ADAPTER 4" IN/OUT 1.1/4"GAS F W/PLUG    | 50   | 240     | •           |  |

| Ref   | Option plug | Rise tube diameter | Max flow rate suggested | Fit threaded tanks |
|-------|-------------|--------------------|-------------------------|--------------------|
| PV400 | ½"on outlet | 1,05"              | 2,5 m3/h                | 2 ½"8NPSM          |
| PV401 | no plug     | 1,05"              | 2,5 m3/h                | 2 ½"8NPSM          |
| PV402 | ½"on outlet | 1 ¼"               | 6,0 m3/h                | 4"-8UN             |



- PP molded heads for tank with connection threaded 2 ½" - 8NPSM;
- complete with NBR o-ring;
- without plug;
- max operating pressure 8 bar;
- max operating temperature 45°C; it is to use with upper screen REF. AV070 and with lower diffusor REF. AV098.

| Ref   | Description                            | Fam. | Subfam. | Disp. Stock |  |
|-------|--|------|---------|-------------|--|
| PV409 | ADAPTER 2 1/2" MOULDED IN/OUT 3/4" NPT | 50   | 240     | •           |  |

| Ref   | Riser tube diameter | Max suggested flow rate |
|-------|---------------------|-------------------------|
| PV409 | 13/16"              | 2,5 m3/h                |



### Conductivity Meter Resilight

- positive, reliable and economical method of monitoring water quality via conductivity;
- bright green/red visual output easy to read;
- Green: conductivity below the threshold value;
- Red: conductivity above the threshold value;
- set point conductivity adjustable from 1,5 to 200 microsiemens;
- probe with threaded ¾" connection, probe constant K=5;
- with reduction in PVC M/F ½" x ¾";
- complete with transformer 230/5V - 50 Hz and 1,5 m cable;
- for installation on piping at system outlet, or directly on the heads REF. PV400 and REF. PV402.
- ATTENTION: or greatest accuracy it is required that the water be flowing on probe.

| Ref   | Description  | Fam. | Subfam. | Disp. Stock |  |
|-------|--|------|---------|-------------|--|
| PV425 | RESILIGHT 1.5 - 200 MICROSIEMENS/CM W/CONDUCTIVITY PROBE | 50   | 242     | •           |  |

| Box: WxLxH | Box: Q.ty | Box: Weight | Pallet: WxLxH | Pallet: Q.ty | Pallet: Weight |
|------------|-----------|-------------|---------------|--------------|----------------|
|            |           |             |               |              |                |

| Certificates | Manufacturer | Sectors    |
|--------------|--------------|------------|
| CE           | MWG          | Industrial |



## Valves Accessories

### Chlorgen Chlorin Generator



- Positive, reliable and economical method of chlorine generation;
- n.1 Titanium Probe for chlorine generation, n.1 TEE 3/8" connection and n.2 Jaco straight fitting for 3/8" x 3/8" tube included;
- bright green/yellow visual output easy to read;
- Green: the system is on;
- Yellow: the system is working in disinfection;
- with time generation adjust;
- 230V - 50 Hz power supply and 1,8 m cable;
- Power 2 W;
- The Chlorin Generator can disinfect up to 140 litres of resin.

| Ref   | Description                       | Fam. | Subfam. | Disp. Stock |  |
|-------|-----------------------------------|------|---------|-------------|--|
| AX210 | CHLORGEN KIT W/PROBE AND FITTINGS | 10   | 70      | •           |  |

| Box: WxLxH | Box: Q.ty | Box: Weight | Pallet: WxLxH | Pallet: Q.ty | Pallet: Weight |
|------------|-----------|-------------|---------------|--------------|----------------|
|            |           |             |               |              |                |

| Certificates | Manufacturer | Sectors  |
|--------------|--------------|----------|
| CE           | <b>MWG</b>   | Domestic |

### Chlorine generator suitable for valve 255 and Performa 268 with Logix 740/760 and 742/762 controller



- Simple, reliable and cheap disinfection device;
- Delivery includes n.1 electrode and n.1 connection cable;
- Logix 740/760 and 742/762 controllers provide to make a low chlorine level in order to sanitize resin bed during regeneration;
- Logix controller has a light check salt that indicates to end user when salt has to be added into brine tank;
- Potassium chloride or sodium chloride can be used.

| Ref   | Description                          | Fam. | Subfam. | Disp. Stock |  |
|-------|--------------------------------------|------|---------|-------------|--|
| AX040 | KIT CHLORINE GENERATOR 255/268 LOGIX | 10   | 70      | •           |  |

| Box: WxLxH | Box: Q.ty | Box: Weight | Pallet: WxLxH | Pallet: Q.ty | Pallet: Weight |
|------------|-----------|-------------|---------------|--------------|----------------|
|            |           |             |               |              |                |

| Certificates | Manufacturer | Sectors  |
|--------------|--------------|----------|
| CE           | Pentair      | Domestic |



## Valves Accessories

### Test kit for hardness



- Kit for hardness testing with indicator and titrant complete with test tube;
- definition 0,5 °F;
- number of tests 400°F;
- available No 6 blister of indicator 15 ml (REF. AV203) and No 6 blister of titrant 25 ml (REF. AV204).

| Codici | Description                              | Fam. | Subfam. | Disp. Stock |  |
|--------|--|------|---------|-------------|--|
| AV200  | HARDNESS KIT TESTING INDICATOR + TITRANT | 10   | 66      | •           |  |
| AV203  | 6 BLISTERS PACK INDICATOR 15 ML          | 10   | 66      | •           |  |
| AV204  | 6 BLISTERS PACK TITRANT 15 ML            | 10   | 66      | •           |  |

| Box: WxLxH | Box: Q.ty | Box: Weight | Pallet: WxLxH | Pallet: Q.ty | Pallet: Weight |
|------------|-----------|-------------|---------------|--------------|----------------|
|            |           |             |               |              |                |

| Certificates | Manufacturer | Sectors  |
|--------------|--------------|----------|
|              |              | Domestic |



- Kit for hardness testing with single reagent packaged in blister, with test tube;
- available for definition with French (REF. AV202) or German (REF. AV207) degrees.

| Ref   | Description  | Fam. | Subfam. | Disp. Stock |  |
|-------|--|------|---------|-------------|--|
| AV202 | HARDNESS KIT TESTING SINGLE REAGENT 2 BLISTER        | 10   | 66      | •           |  |
| AV207 | HARDNESS KIT TESTING SINGLE REAGENT 2 BLISTER GERMAN | 10   | 66      | •           |  |

| Ref   | Description  | Definition | Number of tests |
|-------|--|------------|-----------------|
| AV202 | HARDNESS KIT TESTING SINGLE REAGENT 2 BLISTER        | 1°F        | 700             |
| AV207 | HARDNESS KIT TESTING SINGLE REAGENT 2 BLISTER GERMAN | 1°D        | 600             |

| Box: WxLxH | Box: Q.ty | Box: Weight | Pallet: WxLxH | Pallet: Q.ty | Pallet: Weight |
|------------|-----------|-------------|---------------|--------------|----------------|
|            |           |             |               |              |                |

| Certificates | Manufacturer | Sectors  |
|--------------|--------------|----------|
|              |              | Domestic |



- Kit for hardness testing with single reagent packaged in blister, with test tube;
- available for definition with French (REF. AV201) or German (REF. AV206) degrees.

| Ref   | Description  | Fam. | Subfam. | Disp. Stock |  |
|-------|--|------|---------|-------------|--|
| AV201 | HARDNESS KIT TESTING SINGLE REAGENT 1 BLISTER        | 10   | 66      | •           |  |
| AV206 | HARDNESS KIT TESTING SINGLE REAGENT 1 BLISTER GERMAN | 10   | 66      | •           |  |

| Ref   | Description  | Definition | Number of tests |
|-------|--|------------|-----------------|
| AV201 | HARDNESS KIT TESTING SINGLE REAGENT 1 BLISTER        | 1°F        | 350             |
| AV206 | HARDNESS KIT TESTING SINGLE REAGENT 1 BLISTER GERMAN | 1°D        | 300             |

| Box: WxLxH | Box: Q.ty | Box: Weight | Pallet: WxLxH | Pallet: Q.ty | Pallet: Weight |
|------------|-----------|-------------|---------------|--------------|----------------|
|            |           |             |               |              |                |

| Certificates | Manufacturer | Sectors  |
|--------------|--------------|----------|
|              |              | Domestic |



## Valves Accessories

### Total chlorine kit

- Color comparison kit for Chlorine reaction;
- Ideal for water with low content of organics, like drink water.



| Ref   | Description                                     | Fam. | Subfam. | Disp. Stock |  |
|-------|---|------|---------|-------------|--|
| AV205 | CHLORINE TESTING KIT O-TOL 0,1-1,5 PPM P/N 1011 | 10   | 66      | •           |  |

| Ref   | Range (ppm Cl <sub>2</sub> ) | Test quantity |
|-------|------------------------------|---------------|
| AV205 | 0,10-0,25-0,50-0,75-1,0-2,0  | 75            |

| Box: WxLxH | Box: Q.ty | Box: Weight | Pallet: WxLxH | Pallet: Q.ty | Pallet: Weight |
|------------|-----------|-------------|---------------|--------------|----------------|
|            |           |             |               |              |                |

### Chlorine DPD kit

- Color comparison kit for Chlorine reaction;
- This kit measures the free chlorine and the total chlorine. The difference is given by the combined chlorine (for water with high total organic carbon);
- IPT kits are ideal for few analyzes with discrete precision. For higher precision, we suggest the HYDROCHECK DPD (ideal for waste water, purified drinking water and swimming pool).



| Ref   | Description                 | Fam. | Subfam. | Disp. Stock |  |
|-------|-----------------------------|------|---------|-------------|--|
| AV208 | DPD CHLORINE KIT            | 10   | 66      | •           |  |
| AV220 | DPD CHLORINE COLORTTEST KIT | 10   | 66      | •           |  |

| Ref   | Sample | Range (ppm Cl <sub>2</sub> )      | Test quantity |
|-------|--------|-----------------------------------|---------------|
| AV208 | 5 ml   | 0,1-0,2-0,3-0,4-0,5-0,75-1,0-1,5  | 150           |
| AV220 | I      | 0,1-0,2-0,3-0,4 -0,5-0,75-1,0-1,5 | 350           |
| AV220 | II     | 0,025-0,050-0,075                 | 350           |

| Box: WxLxH | Box: Q.ty | Box: Weight | Pallet: WxLxH | Pallet: Q.ty | Pallet: Weight |
|------------|-----------|-------------|---------------|--------------|----------------|
|            |           |             |               |              |                |

### Ammonia kit

- Color comparison kit for Ammonia reaction;
- IPT kits are ideal for few analyzes with discrete precision. For higher precision, we suggest the HYDROCHECK.



| Ref   | Description                       | Fam. | Subfam. | Disp. Stock |  |
|-------|-----------------------------------|------|---------|-------------|--|
| AV209 | AMMONIA KIT                       | 10   | 66      | •           |  |
| AV221 | INDOPHENOL AMMONIA COLORTTEST KIT | 10   | 66      | •           |  |

| Ref   | Range (ppm NH <sub>3</sub> )  | Test quantity |
|-------|-------------------------------|---------------|
| AV209 | 0,25-0,50-0,75-1,0- ,0-8,0    | 200           |
| AV221 | 0,0-0,10-0,25-0,5-1,0-2,0-4,0 | 180           |

| Box: WxLxH | Box: Q.ty | Box: Weight | Pallet: WxLxH | Pallet: Q.ty | Pallet: Weight |
|------------|-----------|-------------|---------------|--------------|----------------|
|            |           |             |               |              |                |

| Certificates | Manufacturer | Sectors  |
|--------------|--------------|----------|
|              |              | Domestic |



## Valves Accessories

### Iron kit

- Color comparison kit for Iron reaction;
- IPT kits are ideal for few analyzes with discrete precision. For higher precision, we suggest the HYDROCHECK HIGH.



| Ref   | Description              | Fam. | Subfam. | Disp. Stock |  |
|-------|--------------------------|------|---------|-------------|--|
| AV210 | IRON KIT                 | 10   | 66      | •           |  |
| AV222 | HIGH IRON COLORTTEST KIT | 10   | 66      | •           |  |

| Ref   | Sample | Range (ppm Fe)                  | Test quantity |
|-------|--------|---------------------------------|---------------|
| AV210 | 5 ml   | 0,25-0,50-1,0-2,0-5,0-7,5-10-15 | 100           |
| AV210 | 20 ml  | 0,05-0,10-0,15-0,20             | 100           |
| AV222 | I      | 0,25-0,50-1,0-2,0-5,0-7,5-10-15 | 400           |
| AV222 | II     | 0,05-0,10-0,15-0,20             | 400           |

| Box: WxLxH | Box: Q.ty | Box: Weight | Pallet: WxLxH | Pallet: Q.ty | Pallet: Weight |
|------------|-----------|-------------|---------------|--------------|----------------|
|            |           |             |               |              |                |

| Certificates | Manufacturer | Sectors  |
|--------------|--------------|----------|
|              |              | Domestic |

### Manganese kit

- Color comparison kit for Manganese reaction;
- IPT kits are ideal for few analyzes with discrete precision. For higher precision, we suggest the HYDROCHECK.



| Ref   | Description              | Fam. | Subfam. | Disp. Stock |  |
|-------|--------------------------|------|---------|-------------|--|
| AV211 | MANGANESE KIT            | 10   | 66      | •           |  |
| AV223 | MANGANESE COLORTTEST KIT | 10   | 66      | •           |  |

| Ref   | Sample | Range (ppm Mn)                     | Test quantity |
|-------|--------|------------------------------------|---------------|
| AV211 | 5 ml   | 0,1-0,2-0,25-0,5-0,75-1,0-1,25-1,5 | 70            |
| AV223 | I      | 0,1-0,2-0,25-0,5-0,75-1,0-1,25-1,5 | 130           |
| AV223 | II     | 0,025-0,050-0,100                  | 130           |

| Box: WxLxH | Box: Q.ty | Box: Weight | Pallet: WxLxH | Pallet: Q.ty | Pallet: Weight |
|------------|-----------|-------------|---------------|--------------|----------------|
|            |           |             |               |              |                |



## Valves Accessories



### Nitrate Kit

- Color comparison kit for Nitrate reaction;
- IPT kits are ideal for few analyzes with discrete precision. For higher precision, we suggest the HYDROCHECK (ideal for waste water, superficial water and drinking water).

| Ref   | Description            | Fam. | Subfam. | Disp. Stock |  |
|-------|------------------------|------|---------|-------------|--|
| AV212 | NITRATES KIT           | 10   | 66      | •           |  |
| AV224 | NITRATES COLORTEST KIT | 10   | 66      | •           |  |

| Ref   | Range (ppm NO3)              | Test quantity |
|-------|------------------------------|---------------|
| AV212 | 10-20-40-60-80-100-120-140   | 50            |
| AV224 | 5-10-20-40-60-80-100-120-140 | 100           |

| Box: WxLxH | Box: Q.ty | Box: Weight | Pallet: WxLxH | Pallet: Q.ty | Pallet: Weight |
|------------|-----------|-------------|---------------|--------------|----------------|
|            |           |             |               |              |                |

| Certificates | Manufacturer | Sectors  |
|--------------|--------------|----------|
|              |              | Domestic |



### Ph kit

- Color comparison kit for pH;
- IPT kits are ideal for few analyzes with discrete precision. For higher precision, we suggest pH meters.

| Ref   | Description | Fam. | Subfam. | Disp. Stock |  |
|-------|-------------|------|---------|-------------|--|
| AV213 | PH 1-11 KIT | 10   | 66      | •           |  |

| Ref   | Range (pH)                                  | Test quantity |
|-------|---|---------------|
| AV213 | 1-2-3-4-5-5,5-6-6,5-7-7,5-8-8,5-9-9,5-10-11 | 200           |

| Box: WxLxH | Box: Q.ty | Box: Weight | Pallet: WxLxH | Pallet: Q.ty | Pallet: Weight |
|------------|-----------|-------------|---------------|--------------|----------------|
|            |           |             |               |              |                |

| Certificates | Manufacturer | Sectors  |
|--------------|--------------|----------|
|              |              | Domestic |



### Sulphate kit

- Color comparison kit for Sulphate by turbidimetric method.

| Ref   | Description  | Fam. | Subfam. | Disp. Stock |  |
|-------|--------------|------|---------|-------------|--|
| AV214 | SULPHATE KIT | 10   | 66      | •           |  |

| Ref   | Range (p pm SO4)              | Test quantity |
|-------|-------------------------------|---------------|
| AV214 | 50-75-100-150-200-250-300-350 | 70            |

| Box: WxLxH | Box: Q.ty | Box: Weight | Pallet: WxLxH | Pallet: Q.ty | Pallet: Weight |
|------------|-----------|-------------|---------------|--------------|----------------|
|            |           |             |               |              |                |

| Certificates | Manufacturer | Sectors  |
|--------------|--------------|----------|
|              |              | Domestic |



## F65 Runxin Residential Down Flow Valves



- Electronic programmable valve, suitable for automatic and residential water softening systems;
- Valve body in NSF listed Noryl plastic material;
- Operating system based on two high design ceramic discs;
- Regeneration DF;
- Operating flow rate Kv = 1,08;
- Backwash flow rate Kv = 0,50;
- Resin volume range = 5 ÷ 40 liters;
- Available in chronometric or volumetric versions;
- With White Injector mounted (Pink, Yellow and Blue Injectors included), European transformer 12/230V - 50Hz, upper screen, n.1 Base Seal O-ring, n.1 Drain Hose Connector, n.1 Brine Tube Hose Connector, n.1 Tube Bushing and n.1 Brine Line Flow Control);
- Others injectors (6800 Series) and accessories not included, to order separately;
- If you use a by-pass, you must install a floating valve (our ref. RF09959).

| Ref    | Description                                   | Fam. | Subfam. | Disp. Stock |  |
|--------|---|------|---------|-------------|--|
| RF65B1 | VALV. AUT. SOFT. F65B1 (63502) CHRON. 3/4" DF | 22   | 930     | •           |  |
| RF65D1 | VALV. AUT. SOFT. F65D1 (62502) CHRON. 3/4" DF | 22   | 930     | •           |  |
| RF65D3 | VALV. AUT. SOFT. F65D3 (62602) VOL. 3/4" DF   | 22   | 935     | •           |  |

| Characteristics:                              |   |
|---|---|
| Tank size                                     | 6" ÷ 10"                                      |
| Connections In/Out                            | Threaded 3/4" female (male optional included) |
| Pressure vessel connection                    | Threaded 2 1/2" - 8 UN male                   |
| Drain line connection                         | Threaded 1/2" male                            |
| Brine line connection                         | Threaded 3/8" BSPT male                       |
| Distributor tube O. D. diameter               | 1,05" (= 27 mm)                               |
| Distributor tube length above pressure vessel | 0 ± 2 mm                                      |
| Weight (valve + controller)                   | 1,66 kg                                       |
| Operating pressure                            | 1,5 ÷ 6,0 bar                                 |
| Water Temperature                             | 5°C ÷ 50°C                                    |

| Box: WxLxH | Box: Q.ty | Box: Weight | Pallet: WxLxH | Pallet: Q.ty | Pallet: Weight |
|------------|-----------|-------------|---------------|--------------|----------------|
|            |           |             |               |              |                |

| Certificates  | Manufacturer | Sectors  |
|---------------|--------------|----------|
| DM174-2004 CE | Runxin       | Domestic |

### Specific Accessories

| Ref     | Description   | Fam. | Subfam. | Disp. Stock |  |
|---------|---|------|---------|-------------|--|
| RF70B   | BYPASS FOR F65 AND F69 VALVES - 41102               | 22   | 940     | •           |  |
| RF70BL  | BYPASS WITH TURBINE FOR F65 AND F69 VALVES - 41102L | 22   | 940     | •           |  |
| RF09959 | FLOATING VALVE 35"                                  | 22   | 940     | •           |  |

### Spare Parts

| Ref     | Description                                  | Fam. | Subfam. | Disp. Stock |  |
|---------|--|------|---------|-------------|--|
| RF09967 | EUROPEAN POWER ADAPTER FOR RUNXIN RES. VALVE | 22   | 940     | •           |  |
| RFP9999 | UPPER SCREEN 3/4" BAJONET FOR VALVE RUNXIN   | 22   | 940     | •           |  |



## F79B-LCD Runxin Residential Volumetric Valve



- Electronic volumetric programmable valve multilanguage, suitable for automatic and residential water softening systems;
- Valve body in NSF listed Noryl plastic material;
- Operating system based on two high design ceramic discs;
- Regeneration DF or UF;
- Operating flow rate  $K_v = 1,14$ ; Backwash flow rate  $K_v = 0,5$ ;
- Resin volume range =  $5 \div 40$  liters;
- With Pink Injector mounted (Yellow, Blue and White Injectors included), European transformer 12/230V - 50Hz, upper screen, n.1 Base Seal O-ring, n.1 Drain Hose Connector, n.1 Brine Tube Hose Connector,
- n.1 Tube Bushing and n.1 red Brine Line Flow Control), Meter and Bypass Adjusting Bolt;
- Others injectors (6800 Series) and accessories not included, to order separately.

| Ref       | Description  | Fam. | Subfam. | Disp. Stock |  |
|-----------|--|------|---------|-------------|--|
| RF79B-LCD | VALV. AUT. SOFT. F79B-LCD (83602B) VOL. 3/4" DF/UF | 22   | 935     | •           |  |

| Characteristics:                              |                             |
|---|-----------------------------|
| Tank size                                     | 6" ÷ 10"                    |
| Connections In/Out                            | Threaded 3/4" male          |
| Pressure vessel connection                    | Threaded 2 1/2" - 8 UN male |
| Drain line connection                         | Threaded 1/2" male          |
| Brine line connection                         | Threaded 3/8" BSPT male     |
| Distributor tube O. D. diameter               | 1,05" (= 27 mm)             |
| Distributor tube length above pressure vessel | 0 ± 2 mm                    |
| Weight (valve + controller)                   | 2,25 kg                     |
| Operating pressure                            | 1,5 ÷ 6,0 bar               |
| Water Temperature                             | 5°C ÷ 50°C                  |

| Box: WxLxH | Box: Q.ty | Box: Weight | Pallet: WxLxH | Pallet: Q.ty | Pallet: Weight |
|------------|-----------|-------------|---------------|--------------|----------------|
| 51x63x24   | 4         | 11          | 105x130x255   | 144          | 41,5           |

| Certificates  | Manufacturer | Sectors  |
|---------------|--------------|----------|
| DM174-2004 CE | Runxin       | Domestic |

### Specific accessories

| Ref   | Description                  | Fam. | Subfam. | Disp. Stock |  |
|-------|------------------------------|------|---------|-------------|--|
| RF70D | BYPASS FOR F79 VALVE - 41202 | 22   | 940     | •           |  |

### Spare parts

| Ref     | Description  | Fam. | Subfam. | Disp. Stock |  |
|---------|--|------|---------|-------------|--|
| RF09962 | O-R CONNECTOR 3/4" FOR FLOW METER FOR RF79B-LCD VALVE              | 22   | 940     | •           |  |
| RF09963 | CONNECTOR 3/4" FLOW METER FOR RF79B-LCD VALVE W/O O-RING - 8458026 | 22   | 940     | •           |  |
| RF09964 | ELECTRONIC CONTROL BOARD FOR RF79B-LCD VALVE                       | 22   | 940     | •           |  |
| RF09965 | ELECTRONIC POSITIONING BOARD FOR RF79B-LCD VALVE                   | 22   | 940     | •           |  |
| RF09966 | ELECTRONIC BOARD FOR DISPLAY RF79B-LCD VALVE                       | 22   | 940     | •           |  |
| RF09967 | EUROPEAN POWER ADAPTER FOR RUNXIN RES. VALVE                       | 22   | 940     | •           |  |
| RF09968 | TURBINE FLOW METER FOR RF79B-LCD                                   | 22   | 940     | •           |  |
| RF09969 | SEMI-TRANSPARENT COVER FOR RF79B-LCD VALVE                         | 22   | 940     | •           |  |
| RF09970 | PIPE CONNECTION 3/4" FOR RF79B-LCD VALVE                           | 22   | 940     | •           |  |
| RFP9999 | UPPER SCREEN 3/4" BAJONET FOR VALVE RUNXIN                         | 22   | 940     | •           |  |





## F69 Runxin Residential Up Flow Softening Valves

- Electronic programmable valve, suitable for residential water softening systems;
- Valve body in NSF listed Noryl plastic material;
- Operating system based on two high design ceramic discs;
- Regeneration UF;
- Operating flow rate  $K_v = 1,08$ ;
- Backwash flow rate  $K_v = 0,5$ ;
- Resin volume range =  $5 \div 40$  liters;
- Available in chronometric or volumetric versions;
- F69C Valve is with Brown Injector mounted;
- F69P Valves are with Pink Injector mounted (Yellow, Blue and White Injectors included);
- European transformer 12/230V - 50Hz, upper screen, n.1 Base
- Seal O-ring, n.1 Drain Hose Connector, n.1 Brine Tube Hose
- Connector, n.1 Tube Bushing and n.1 Brine Line Flow Control);
- Others injectors (6800 Series) and accessories not included, to order separately.

| Ref     | Description                                      | Fam. | Subfam. | Disp. Stock |  |
|---------|--|------|---------|-------------|--|
| RF69C   | VALV. SEMIAUT. SOFT. F69C (70002) CHRON. 3/4" UF | 22   | 935     | •           |  |
| RF69P1Y | VALV. AUT. SOFT. F69P1Y (73502PY) CHRON. 3/4" UF | 22   | 930     | •           |  |
| RF69P3Y | VALV. AUT. SOFT. F69P3Y (73602PY) VOL. 3/4" UF   | 22   | 935     | •           |  |

| Characteristics:                              |   |
|---|---|
| Tank size                                     | 6" $\div$ 10"                                 |
| Connections In/Out                            | Threaded 3/4" female (male optional included) |
| Pressure vessel connection                    | Threaded 2 1/2" - 8 UN male                   |
| Drain line connection                         | Threaded 1/2" male                            |
| Brine line connection                         | Threaded 3/8" BSPT male                       |
| Distributor tube O. D. diameter               | 1,05" (= 27 mm)                               |
| Distributor tube length above pressure vessel | 0 $\pm$ 2 mm                                  |
| Weight (valve + controller)                   | 2,04 kg                                       |
| Operating pressure                            | 1,5 $\div$ 6,0 bar                            |
| Water Temperature                             | 5°C $\div$ 50°C                               |

| Box: WxLxH | Box: Q.ty | Box: Weight | Pallet: WxLxH | Pallet: Q.ty | Pallet: Weight |
|------------|-----------|-------------|---------------|--------------|----------------|
|            |           |             |               |              |                |

| Certificates  | Manufacturer | Sectors  |
|---------------|--------------|----------|
| DM174-2004 CE | Runxin       | Domestic |

### Specific accessories

| Ref     | Description   | Fam. | Subfam. | Disp. Stock |  |
|---------|---|------|---------|-------------|--|
| RF70B   | BYPASS FOR F65 AND F69 VALVES - 41102               | 22   | 940     | •           |  |
| RF70BL  | BYPASS WITH TURBINE FOR F65 AND F69 VALVES - 41102L | 22   | 940     | •           |  |
| RF09960 | USB PROGRAMMER FOR RF69C VALVES                     | 22   | 940     | •           |  |

### Spare parts

| Ref     | Description                                  | Fam. | Subfam. | Disp. Stock |  |
|---------|--|------|---------|-------------|--|
| RF09967 | EUROPEAN POWER ADAPTER FOR RUNXIN RES. VALVE | 22   | 940     | •           |  |
| RF99999 | UPPER SCREEN 3/4" BAJONET FOR VALVE RUNXIN   | 22   | 940     | •           |  |



## F69 Runxin Residential Up Flow Softening Valves on a Duplex Tanks



- Electronic volumetric programmable valve, suitable for automatic and residential water softening systems;
- Valve body in NSF listed Noryl plastic material;
- Operating system based on two high design ceramic discs;
- Regeneration DF or UF;
- Operating flow rate Kv = 2,33;
- Backwash flow rate Kv = 0,88;
- Resin volume range = 45 ÷ 100 liters;
- With Red Injector mounted (Black Injector included), European transformer 12/230V -50Hz, upper screen, n.1 Base Seal O-ring, n.1 Drain Hose Connector, n.1 Brine Tube Hose Connector, n.1 Tube Bushing, n.1 Brine Line Flow Control, Meter and Bypass Adjusting Bolt;
- Others injectors (6800 Series) and accessories not included, to order separately.

| Ref   | Description   | Fam. | Subfam. | Disp. Stock |  |
|-------|---|------|---------|-------------|--|
| RF73A | VALV. AUT. SOFT. F73A (17603) VOL. 1" DF/UF - ONE ON DUPLEX TANKS | 22   | 935     | •           |  |

| Characteristics:                              |                             |
|---|-----------------------------|
| Tank size                                     | 10" ÷ 14"                   |
| Connections In/Out                            | Threaded 1" male            |
| Pressure vessel connection                    | Threaded 2 1/2" - 8 UN male |
| Drain line connection                         | Threaded 3/4" male          |
| Brine line connection                         | Threaded 3/8" BSPT male     |
| Distributor tube O. D. diameter               | 1,05" (= 27 mm)             |
| Distributor tube length above pressure vessel | 0 ± 2 mm                    |
| Weight (valve + controller)                   | 4,75 kg                     |
| Operating pressure                            | 1,5 ÷ 6,0 bar               |
| Water Temperature                             | 5°C ÷ 50°C                  |

| Box: WxLxH | Box: Q.ty | Box: Weight | Pallet: WxLxH | Pallet: Q.ty | Pallet: Weight |
|------------|-----------|-------------|---------------|--------------|----------------|
|            |           |             |               |              |                |

| Certificates  | Manufacturer | Sectors  |
|---------------|--------------|----------|
| DM174-2004 CE | Runxin       | Domestic |

### Spare parts

| Ref     | Description                                  | Fam. | Subfam. | Disp. Stock |  |
|---------|--|------|---------|-------------|--|
| RF09967 | EUROPEAN POWER ADAPTER FOR RUNXIN RES. VALVE | 22   | 940     | •           |  |
| RFP9999 | UPPER SCREEN 3/4" BAJONET FOR VALVE RUNXIN   | 22   | 940     | •           |  |



## F63 Runxin Residential Down Flow Softening Valves



- Electronic programmable valve, suitable for automatic and residential water softening systems;
- Valve body in NSF listed Noryl plastic material;
- Operating system based on two high design ceramic discs;
- Regeneration DF; Resin volume range = 40 ÷ 150 liters;
- Operating flow rate Kv = 3,13; Backwash flow rate Kv = 1,25;
- Available in chronometric or volumetric versions;
- With Green Injector mounted (Purple and White Injectors included), European transformer 12/230V - 50Hz, upper screen,
- n.1 Base Seal O-ring, n.1 Drain Hose Connector, n.1 Brine Tube Hose Connector, n.1 Tube Bushing and n.1 Brine Line Flow Control);
- Others injectors (6800 Series) and accessories not included, to order separately.

| Ref     | Description                                    | Fam. | Subfam. | Disp. Stock |  |
|---------|--|------|---------|-------------|--|
| RF63B1  | VALV. AUT. SOFT. F63B1 (63504S) CHRON. 1" DF   | 22   | 930     | •           |  |
| RF63D1  | VALV. AUT. SOFT. F63D1 (62504) CHRON. 1" DF    | 22   | 930     | •           |  |
| RF63P1Y | VALV. AUT. SOFT. F63P1Y (63504PY) CHRON. 1" DF | 22   | 930     | •           |  |
| RF63B3  | VALV. AUT. SOFT. F63B3 (63604S) VOL. 1" DF     | 22   | 935     | •           |  |
| RF63C3  | VALV. AUT. SOFT.F63C3 (63604) VOL. 1" DF       | 22   | 935     | •           |  |
| RF63D3  | VALV. AUT. SOFT. F63D3 (62604H) VOL. 1" DF     | 22   | 935     | •           |  |

| Characteristics                               |   |
|---|---|
| Tank size                                     | 10" ÷ 18"                                   |
| Connections In/Out                            | Threaded 1" female (male optional included) |
| Pressure vessel connection                    | Threaded 2 ½" - 8 UN male                   |
| Drain line connection                         | Threaded ½" male                            |
| Brine line connection                         | Threaded ¾" BSPT male                       |
| Distributor tube O. D. diameter               | 1,05" (= 27 mm)                             |
| Distributor tube length above pressure vessel | 0 ± 2 mm                                    |
| Weight (valve + controller)                   | 2,34 kg                                     |
| Operating pressure                            | 1,5 ÷ 6,0 bar                               |
| Water Temperature                             | 5°C ÷ 50°C                                  |

| Box: WxLxH | Box: Q.ty | Box: Weight | Pallet: WxLxH | Pallet: Q.ty | Pallet: Weight |
|------------|-----------|-------------|---------------|--------------|----------------|
|            |           |             |               |              |                |

| Certificates  | Manufacturer | Sectors  |
|---------------|--------------|----------|
| DM174-2004 CE | Runxin       | Domestic |

### Specific Accessories

| Ref.   | Description  | Fam. | Subfam. | Disp. Stock |  |
|--------|--|------|---------|-------------|--|
| RF70A  | BYPASS FOR F63 AND F68 VALVES - 2974001              | 22   | 940     | •           |  |
| RF70AL | BYPASS WITH TURBINE FOR F63 AND F68 VALVES - 2974013 | 22   | 940     | •           |  |

### Spare Parts

| Ref.    | Description                                  | Fam. | Subfam. | Disp. Stock |  |
|---------|--|------|---------|-------------|--|
| RF09967 | EUROPEAN POWER ADAPTER FOR RUNXIN RES. VALVE | 22   | 940     | •           |  |
| RF99999 | UPPER SCREEN 3/4" BAJONET FOR VALVE RUNXIN   | 22   | 940     | •           |  |



## F82B-LCD Runxin Residential Volumetric Valves



- Electronic volumetric programmable valve multilanguage, suitable for automatic and residential water softening systems;
- Valve body in NSF listed Noryl plastic material;
- Operating system based on two high design ceramic discs;
- Regeneration DF or UF;
- Operating flow rate  $K_v = 3,13$ ;
- Backwash flow rate  $K_v = 1,25$ ;
- Resin volume range =  $40 \div 150$  liters;
- With White Injector mounted (Red, Black and Orange Injectors included), European transformer 12/230V - 50Hz, upper screen, n.1 Base Seal O-ring, n.1 Drain Hose Connector, n.1 Brine Tube Hose Connector, n.1 Tube Bushing and n.1 Brine Line Flow Control), Meter and Bypass Adjusting Bolt;
- Others injectors (6800 Series) and accessories not included, to order separately

| Ref       | Description                                      | Fam. | Subfam. | Disp. Stock |  |
|-----------|--|------|---------|-------------|--|
| RF82B-LCD | VALV. AUT. SOFT. F82B-LCD (82604B) VOL. 1" DF/UF | 22   | 935     | •           |  |

| Characteristics:                              |                             |
|---|-----------------------------|
| Tank size                                     | 10" ÷ 18"                   |
| Connections In/Out                            | Threaded 1" male            |
| Pressure vessel connection                    | Threaded 2 1/2" - 8 UN male |
| Drain line connection                         | Threaded 1/2" male          |
| Brine line connection                         | Threaded 3/8" BSPT male     |
| Distributor tube O. D. diameter               | 1,05" (= 27 mm)             |
| Distributor tube length above pressure vessel | 0 ± 2 mm                    |
| Weight (valve + controller)                   | 2,72 kg                     |
| Operating pressure                            | 1,5 ÷ 6,0 bar               |
| Water Temperature                             | 5°C ÷ 50°C                  |

| Box: WxLxH | Box: Q.ty | Box: Weight | Pallet: WxLxH | Pallet: Q.ty | Pallet: Weight |
|------------|-----------|-------------|---------------|--------------|----------------|
|            |           |             |               |              |                |

| Certificates  | Manufacturer | Sectors  |
|---------------|--------------|----------|
| DM174-2004 CE | Runxin       | Domestic |

### Accessories

| Codici | Description  | Fam. | Subfam. | Disp. Stock |  |
|--------|--|------|---------|-------------|--|
| RF70CL | BYPASS WITH TURBINE FOR F63 F68 F82 VALVES - 2974015 | 22   | 940     | •           |  |

### Spare parts

| Ref     | Description                                  | Fam. | Subfam. | Disp. Stock |  |
|---------|--|------|---------|-------------|--|
| RF09967 | EUROPEAN POWER ADAPTER FOR RUNXIN RES. VALVE | 22   | 940     | •           |  |
| RFP9999 | UPPER SCREEN 3/4" BAJONET FOR VALVE RUNXIN   | 22   | 940     | •           |  |



## F68 Runxin Residential Up Flow Valves



- Electronic programmable valve, suitable for automatic and residential water softening systems;
- Valve body in NSF listed Noryl plastic material;
- Operating system based on two high design ceramic discs;
- Regeneration UF;
- Operating flow rate  $K_v = 3,13$ ;
- Backwash flow rate  $K_v = 1,25$ ;
- Resin volume range =  $18 \div 150$  liters;
- Available in volumetric version;
- With Yellow Injector mounted (Red, Black and Orange Injectors included), European transformer 12/230V - 50Hz, upper screen, n.1 Base Seal O-ring, n.1 Drain Hose Connector, n.1 Brine Tube Hose Connector, n.1 Tube Bushing and n.1 Brine Line Flow Control);
- Others injectors (Series 6800) and accessories not included, to order separately.

| Ref     | Description                               | Fam. | Subfam. | Disp. Stock |  |
|---------|---|------|---------|-------------|--|
| RF68C3  | VALV. AUT. SOFT. F68C3 (73604) VOL. 1" UF | 22   | 935     |             |  |
| RF68P3Y | VALV. AUT. SOFT. F68P3Y VOL. 1" UF        | 22   | 935     |             |  |

| Characteristics                               |                           |
|---|---------------------------|
| Tank size                                     | 10" ÷ 18"                 |
| Connections In/Out                            | Threaded 1" male          |
| Pressure vessel connection                    | Threaded 2 ½" - 8 UN male |
| Drain line connection                         | Threaded ½" male          |
| Brine line connection                         | Threaded ¾" BSPT male     |
| Distributor tube O. D. diameter               | 1,05" (= 27 mm)           |
| Distributor tube length above pressure vessel | 0 ± 2 mm                  |
| Weight (valve + controller)                   | 2,90 kg                   |
| Operating pressure                            | 1,5 ÷ 6,0 bar             |
| Water Temperature                             | 5°C ÷ 50°C                |

| Box: WxLxH | Box: Q.ty | Box: Weight | Pallet: WxLxH | Pallet: Q.ty | Pallet: Weight |
|------------|-----------|-------------|---------------|--------------|----------------|
|            |           |             |               |              |                |

| Certificates  | Manufacturer | Sectors  |
|---------------|--------------|----------|
| DM174-2004 CE | Runxin       | Domestic |

### Specific Accessories

| Ref    | Description  | Fam. | Subfam. | Disp. Stock |  |
|--------|--|------|---------|-------------|--|
| RF70AL | BYPASS WITH TURBINE FOR F63 AND F68 VALVES - 2974013 | 22   | 940     | •           |  |
| RF70CL | BYPASS WITH TURBINE FOR F63 F68 F82 VALVES - 2974015 | 22   | 940     | •           |  |

### Spare Parts

| Ref     | Description                                  | Fam. | Subfam. | Disp. Stock |  |
|---------|--|------|---------|-------------|--|
| RF09967 | EUROPEAN POWER ADAPTER FOR RUNXIN RES. VALVE | 22   | 940     | •           |  |
| RFP9999 | UPPER SCREEN 3/4" BAJONET FOR VALVE RUNXIN   | 22   | 940     | •           |  |



## F92A-LED Runxin Residential Up Flow Valve



- Electronic programmable valve, suitable for automatic and residential water softening systems;
- Valve body in NSF listed Noryl plastic material;
- Operating system based on two high design ceramic discs;
- Regeneration UF;
- Operating flow rate Kv = 4,77;
- Backwash flow rate Kv = 1,35;
- Resin volume range = 120 ÷ 300 liters;
- Available in volumetric version;
- With Red Injector mounted (Purple, Green, Yellow and Orange Injectors included), European transformer 12/230V - 50Hz, upper screen, n.1 Base Seal O-ring, n.1 Drain Hose Connector, n.1 Brine Tube Hose Connector, n.1 Tube Bushing and n.1 Brine Line Flow Control).

| Ref       | Description                                  | Fam. | Subfam. | Disp. Stock |
|-----------|--|------|---------|-------------|
| RF92A-LED | VALV. AUT. SOFT. F92A-LED (73605) VOL. 1" UF | 22   | 935     | •           |

| Characteristics                               |                             |
|---|-----------------------------|
| Tank size                                     | 16" ÷ 24"                   |
| Connections In/Out                            | Threaded 1" male            |
| Pressure vessel connection                    | Threaded 2 1/2" - 8 UN male |
| Drain line connection                         | Threaded 1/2" male          |
| Brine line connection                         | Threaded 3/8" BSPT male     |
| Distributor tube O. D. diameter               | 32 mm                       |
| Distributor tube length above pressure vessel | 0 ± 2 mm                    |
| Weight (valve + controller)                   | 2,72 kg                     |
| Operating pressure                            | 1,5 ÷ 6,0 bar               |
| Water Temperature                             | 5°C ÷ 50°C                  |

| Box: WxLxH | Box: Q.ty | Box: Weight | Pallet: WxLxH | Pallet: Q.ty | Pallet: Weight |
|------------|-----------|-------------|---------------|--------------|----------------|
|            |           |             |               |              |                |

| Certificates  | Manufacturer | Sectors  |
|---------------|--------------|----------|
| DM174-2004 CE | Runxin       | Domestic |

### Spare parts

| Codici  | Description                                    | Fam. | Subfam. | Disp. Stock |
|---------|--|------|---------|-------------|
| RF09967 | EUROPEAN POWER ADAPTER FOR RUNXIN RES. VALVE   | 22   | 940     | •           |
| RF09949 | UPPER SCREEN 32 MM FOR RUNXIN VALVES - 6939003 | 22   | 940     | •           |



## Runxin Residential Valves Accessories

- Injectors and Accessories not included in the Runxin Residential Valves, to order separately.

### Specific accessories

| Ref     | Description   | Fam. | Subfam. | Disp. Stock |  |
|---------|---|------|---------|-------------|--|
| RF06801 | INJECTOR BROWN + DLFC FOR RUNXIN VALVES - 6801                | 22   | 940     | •           |  |
| RF06802 | INJECTOR PINK + DLFC FOR RUNXIN VALVES - 6802                 | 22   | 940     | •           |  |
| RF06803 | INJECTOR YELLOW + DLFC FOR RUNXIN VALVES - 6803               | 22   | 940     | •           |  |
| RF06804 | INJECTOR BLUE + DLFC FOR RUNXIN VALVES - 6804                 | 22   | 940     | •           |  |
| RF06805 | INJECTOR WHITE + DLFC FOR RUNXIN VALVES - 6805                | 22   | 940     | •           |  |
| RF06806 | INJECTOR BLACK + DLFC FOR RUNXIN VALVES - 6806                | 22   | 940     | •           |  |
| RF06807 | INJECTOR PURPLE + DLFC FOR RUNXIN VALVES - 6807               | 22   | 940     | •           |  |
| RF06808 | INJECTOR RED + DLFC FOR RUNXIN VALVES - 6808                  | 22   | 940     | •           |  |
| RF06809 | INJECTOR GREEN FOR RUNXIN VALVES - 6809                       | 22   | 940     | •           |  |
| RF06810 | INJECTOR ORANGE FOR RUNXIN VALVES - 6810                      | 22   | 940     | •           |  |
| RF06301 | INJECTOR BROWN + DLFC #1 FOR RUNXIN VALVES - 6301             | 22   | 940     |             |  |
| RF06302 | INJECTOR PINK + DLFC #1 FOR RUNXIN VALVES - 6302              | 22   | 940     |             |  |
| RF06303 | INJECTOR YELLOW+DLFC #2 FOR RUNXIN VALVES - 6303              | 22   | 940     |             |  |
| RF06304 | INJECTOR BLUE + DLFC #2 FOR RUNXIN VALVES - 6304              | 22   | 940     |             |  |
| RF06305 | INJECTOR WHITE + DLFC #3 FOR RUNXIN VALVES - 6305             | 22   | 940     |             |  |
| RF06306 | INJECTOR BLACK +DLFC #3 FOR RUNXIN VALVES - 6306              | 22   | 940     |             |  |
| RF06307 | INJECTOR PURPLE +DLFC #4 FOR RUNXIN VALVES - 6307             | 22   | 940     |             |  |
| RF06308 | INJECTOR RED + DLFC #4FOR RUNXIN VALVES - 6308                | 22   | 940     |             |  |
| RF06309 | INJECTOR GREEN + DLFC #5 FOR RUNXIN VALVES - 6309             | 22   | 940     |             |  |
| RF06310 | INJECTOR ORANGE + DLFC #5 FOR RUNXIN VALVES - 6310            | 22   | 940     |             |  |
| RF09995 | SERVICE WRENCH FOR RUNXIN VALVES - 8484003                    | 22   | 940     | •           |  |
| RF47010 | RUNXIN CHLORINATOR FOR VALVE F79, F82 AND FOR VALVES D SERIES | 22   | 940     | •           |  |
| RF09998 | SPACER 2.5" M/F W/ O-RING AND WRENCH                          | 22   | 940     | •           |  |
| RF09997 | SPANNER FOR SPACER RF09998                                    | 22   | 940     | •           |  |
| RF09971 | ENGLISH POWER ADAPTER FOR RF79B-LCD VALVE                     | 22   | 940     | •           |  |
| RF43010 | BRINE WELL DIAM. 60 MM H 396 MM W/FLOATING VALVE              | 45   | 230     | •           |  |
| RF43011 | BRINE WELL DIAM. 60 MM H 308 MM W/FLOATING VALVE              | 45   | 230     | •           |  |
| RF09922 | INTERLOCK WIRE FOR RUNXIN VALVES F63(68)C - F63(65-68)P       | 22   | 940     | •           |  |
| RFP07   | 434 STANDARD BRINE VALVE                                      | 22   | 940     |             |  |
| RFP08   | 454 STANDARD BRINE VALVE                                      | 22   | 940     |             |  |



## F74 Runxin Industrial Down Flow Valve

- Electronic programmable valve, suitable for automatic and industrial water softening systems;
- Valve body in NSF listed Noryl plastic material;
- Operating system based on two high design ceramic discs;
- Regeneration DF;
- Operating flow rate Kv = 6,50;
- Backwash flow rate Kv = 3,57;
- Resin volume range = 120 ÷ 450 liters;
- With Pink Injector mounted (Brown and Blue Injectors included), European transformer 12/230V - 50Hz, upper screen,
- n.1 Base Seal O-ring,
- n.1 Drain Hose Connector,
- n.1 Brine Tube Hose Connector,
- n.1 Tube Bushing and n.1 Brine Line Flow Control);
- Others injectors (series 7400) and accessories not included, to order separately.

| Ref    | Description                               | Fam. | Subfam. | Disp. Stock |  |
|--------|---|------|---------|-------------|--|
| RF74A3 | VALV. AUT. SOFT. F74A3 (63610) VOL. 2" DF | 27   | 965     | •           |  |

| Characteristics                               |                         |
|---|-------------------------|
| Tank size                                     | 21" ÷ 30"               |
| Connections In/Out                            | Threaded 2" male        |
| Pressure vessel connection                    | Threaded 4" - 8 UN male |
| Drain line connection                         | Threaded 1" male        |
| Brine line connection                         | Threaded ½" BSPT male   |
| Distributor tube O. D. diameter               | 50 mm                   |
| Distributor tube length above pressure vessel | 0 ± 2 mm                |
| Weight (valve + controller)                   | 5,88 kg                 |
| Operating pressure                            | 2,0 ÷ 6,0 bar           |
| Water Temperature                             | 5°C ÷ 50°C              |

| Box: WxLxH | Box: Q.ty | Box: Weight | Pallet: WxLxH | Pallet: Q.ty | Pallet: Weight |
|------------|-----------|-------------|---------------|--------------|----------------|
|            |           |             |               |              |                |

| Certificates  | Manufacturer | Sectors    |
|---------------|--------------|------------|
| DM174-2004 CE | Runxin       | Industrial |

### Spare parts

| Ref     | Description                                  | Fam. | Subfam. | Disp. Stock |  |
|---------|--|------|---------|-------------|--|
| RF09974 | EUROPEAN POWER ADAPTER FOR RUNXIN IND.VALVES | 27   | 970     | •           |  |
| RF09950 | UPPER SCREEN 50 MM FOR RUNXIN VALVES         | 27   | 970     | •           |  |





## F99 Runxin Industrial Down Flow Valves



- Electronic programmable valve, suitable for automatic and industrial water softening systems;
- Valve body in NSF listed Noryl plastic material;
- Operating system based on two high design ceramic discs;
- Regeneration DF;
- Operating flow rate Kv = 14,4;
- Backwash flow rate Kv = 5,72;
- Resin volume range = 450 ÷ 800 liters;
- With Yellow Injector mounted (Pink Injectors included), European transformer 12/230V - 50Hz, upper screen,
- n.1 Base Seal O-ring,
- n.1 Drain Hose Connector,
- n.1 Brine Tube Hose Connector,
- n.1 Tube Bushing and n.1 Brine Line Flow Control);
- Others injectors (7700 Series) and accessories not included, to order separately.

| Ref    | Description                                 | Fam. | Subfam. | Disp. Stock |  |
|--------|---|------|---------|-------------|--|
| RF99A1 | VALV. AUT. SOFT. F99A1 (63515) CHRON. 2" DF | 27   | 960     | •           |  |
| RF99A3 | VALV. AUT. SOFT. F99A3 (63615) VOL. 2" DF   | 27   | 965     | •           |  |

| Characteristics                               |                         |
|---|-------------------------|
| Tank size                                     | 30" ÷ 42"               |
| Connections In/Out                            | Threaded 2" male        |
| Pressure vessel connection                    | Threaded 4" - 8 UN male |
| Drain line connection                         | Threaded 1,5" male      |
| Brine line connection                         | Threaded 3/4" BSPT male |
| Distributor tube O. D. diameter               | 50 mm                   |
| Distributor tube length above pressure vessel | 0 ± 2 mm                |
| Weight (valve + controller)                   | 11,50 kg                |
| Operating pressure                            | 2,0 ÷ 6,0 bar           |
| Water Temperature                             | 5°C ÷ 50°C              |

| Box: WxLxH | Box: Q.ty | Box: Weight | Pallet: WxLxH | Pallet: Q.ty | Pallet: Weight |
|------------|-----------|-------------|---------------|--------------|----------------|
|            |           |             |               |              |                |

| Certificates  | Manufacturer | Sectors    |
|---------------|--------------|------------|
| DM174-2004 CE | Runxin       | Industrial |

### Spare parts

| Ref     | Description                                  | Fam. | Subfam. | Disp. Stock |  |
|---------|--|------|---------|-------------|--|
| RF09974 | EUROPEAN POWER ADAPTER FOR RUNXIN IND.VALVES | 27   | 970     | •           |  |
| RF09950 | UPPER SCREEN 50 MM FOR RUNXIN VALVES         | 27   | 970     | •           |  |



## F111 Runxin Industrial Down Flow Valves



- Electronic programmable valve, suitable for automatic and industrial water softening systems;
- Valve body in NSF listed Noryl plastic material;
- Operating system based on two high design ceramic discs;
- Regeneration DF;
- Operating flow rate Kv = 16,71;
- Backwash flow rate Kv = 18,97;
- Resin volume range = 450 ÷ 800 liters;
- Available in chronometric or volumetric versions;
- With Blue Injector mounted (Yellow and White Injectors included), European transformer 12/230V - 50Hz, upper screen, n.1 Base Seal O-ring, n.1 Drain Hose Connector, n.1 Brine Tube Hose Connector, n.1 Tube Bushing and n.1 Brine Line Flow Control);
- Others injectors (7700 Series) and accessories not included, to order separately.

| Ref     | Description                                  | Fam. | Subfam. | Disp. Stock |  |
|---------|--|------|---------|-------------|--|
| RF111A1 | VALV. AUT. SOFT. F111A1 (63520) CHRON. 2" DF | 27   | 960     | •           |  |
| RF111A3 | VALV. AUT. SOFT. F111A3 (63620) VOL. 2" DF   | 27   | 965     | •           |  |

| Characteristics                               |                         |
|---|-------------------------|
| Tank size                                     | 30" ÷ 48"               |
| Connections In/Out                            | Threaded 2" male        |
| Pressure vessel connection                    | Threaded 4" - 8 UN male |
| Drain line connection                         | Threaded 1,5" male      |
| Brine line connection                         | Threaded 3/4" BSPT male |
| Distributor tube O. D. diameter               | 63 mm                   |
| Distributor tube length above pressure vessel | 0 ± 2 mm                |
| Weight (valve + controller)                   | 11,50 kg                |
| Operating pressure                            | 2,0 ÷ 6,0 bar           |
| Water Temperature                             | 5°C ÷ 50°C              |

| Box: WxLxH | Box: Q.ty | Box: Weight | Pallet: WxLxH | Pallet: Q.ty | Pallet: Weight |
|------------|-----------|-------------|---------------|--------------|----------------|
|            |           |             |               |              |                |

| Certificates  | Manufacturer | Sectors    |
|---------------|--------------|------------|
| DM174-2004 CE | Runxin       | Industrial |

### Spare parts

| Ref     | Description                                  | Fam. | Subfam. | Disp. Stock |  |
|---------|--|------|---------|-------------|--|
| RF09974 | EUROPEAN POWER ADAPTER FOR RUNXIN IND.VALVES | 27   | 970     | •           |  |
| RF09951 | UPPER SCREEN 63 MM FOR RUNXIN VALVES         | 27   | 970     | •           |  |

- **Specific accessories** - Injectors and Accessories not included in the Runxin Industrial Valves, to order separately.

| Ref.    | Description                                     | Fam. | Subfam. | Disp. Stock |  |
|---------|---|------|---------|-------------|--|
| RF07401 | INJECTOR BROWN + DLFC FOR RUNXIN VALVES - 7401  | 27   | 970     | •           |  |
| RF07402 | INJECTOR PINK + DLFC FOR RUNXIN VALVES - 7402   | 27   | 970     | •           |  |
| RF07403 | INJECTOR YELLOW + DLFC FOR RUNXIN VALVES - 7403 | 27   | 970     | •           |  |
| RF07404 | INJECTOR BLUE + DLFC FOR RUNXIN VALVES - 7404   | 27   | 970     | •           |  |
| RF07701 | INJECTOR BROWN FOR RUNXIN VALVES - 7701         | 27   | 970     | •           |  |
| RF07702 | INJECTOR PINK FOR RUNXIN VALVES - 7702          | 27   | 970     | •           |  |
| RF07703 | INJECTOR YELLOW FOR RUNXIN VALVES - 7703        | 27   | 970     | •           |  |
| RF07704 | INJECTOR BLUE FOR RUNXIN VALVES - 7704          | 27   | 970     | •           |  |
| RF07705 | INJECTOR WHITE FOR RUNXIN VALVES - 7705         | 27   | 970     | •           |  |
| RF09995 | SERVICE WRENCH FOR RUNXIN VALVES - 8484003      | 22   | 940     | •           |  |



## F75 Runxin Industrial Filter Valve



- Electronic valve, suitable for automatic and industrial water filtering systems;
- Valve body in NSF listed Noryl plastic material;
- Operating system based on two high design ceramic discs;
- Operating flow rate  $K_v = 8,7$ ;
- Backwash flow rate  $K_v = 8,0$ ;
- With European transformer 12/230V - 50Hz, upper screen,
- n.1 Base Seal O-ring, n.1 Drain Hose Connector.

| Ref   | Description               | Fam. | Subfam. | Disp. Stock |  |
|-------|---------------------------|------|---------|-------------|--|
| RF75A | VALV. AUT. FILTER F75A 2" | 27   | 968     | •           |  |



| Characteristics                               |                         |
|---|-------------------------|
| Tank size                                     | 16" ÷ 24"               |
| Connections In/Out                            | Threaded 2" male        |
| Pressure vessel connection                    | Threaded 4" - 8 UN male |
| Drain line connection                         | Threaded 2" male        |
| Distributor tube O. D. diameter               | 50 mm                   |
| Distributor tube length above pressure vessel | 0 ± 2 mm                |
| Weight (valve + controller)                   | 4,4 kg                  |
| Operating pressure                            | 2,0 ÷ 6,0 bar           |
| Water Temperature                             | 5°C ÷ 50°C              |



| Box: WxLxH | Box: Q.ty | Box: Weight | Pallet: WxLxH | Pallet: Q.ty | Pallet: Weight |
|------------|-----------|-------------|---------------|--------------|----------------|
|            |           |             |               |              |                |



| Certificates  | Manufacturer | Sectors    |
|---------------|--------------|------------|
| DM174-2004 CE | Runxin       | Industrial |

### Spare parts

| Ref     | Description                                  | Fam. | Subfam. | Disp. Stock |  |
|---------|--|------|---------|-------------|--|
| RF09974 | EUROPEAN POWER ADAPTER FOR RUNXIN IND.VALVES | 27   | 970     | •           |  |
| RF09950 | UPPER SCREEN 50 MM FOR RUNXIN VALVES         | 27   | 970     | •           |  |



## Runxin Manual Softening Valves



- Multi-way valves having five functions: service, backwash, brine, fast rinse and refill;
- IN/OUT connections 3/4" BSPP female;
- Drain line connection 1/2" BSPP female;
- Brine line connection 3/8" BSPT male;
- Riser tube diameter 1,05" (26,7 mm);
- Max suggested flow 1,5 m3/h (only valve) @ Δp = 1,75 bar;
- Operating flow rate Kv = 1,09;
- Backwash flow rate Kv = 0,55;
- Max operating pressure 6 bar @ 20°C;
- Max operating temperature 50°C;
- Upper screen included.

| Ref    | Description  | Fam. | Subfam. | Disp. Stock |  |
|--------|--|------|---------|-------------|--|
| RF64B  | VALV. MANUAL SOFT. F64B (61202) 3/4" DF                  | 22   | 950     | •           |  |
| RF64BC | VALV. MANUAL SOFT. F64BC (61202C) 3/4" DF - SIDE CONTROL | 22   | 950     | •           |  |
| RF64C  | VALV. MANUAL SOFT. F64C (71202) 3/4" UF                  | 22   | 950     |             |  |

| Ref    | Description  | Mounting |
|--------|--|----------|
| RF64B  | VALV. MANUAL SOFT. F64B (61202) 3/4" DF                  | Vertical |
| RF64BC | VALV. MANUAL SOFT. F64BC (61202C) 3/4" DF - SIDE CONTROL | Side     |
| RF64C  | VALV. MANUAL SOFT. F64C (71202) 3/4" UF                  | Vertical |

| Box: WxLxH | Box: Q.ty | Box: Weight | Pallet: WxLxH | Pallet: Q.ty | Pallet: Weight |
|------------|-----------|-------------|---------------|--------------|----------------|
|            |           |             |               |              |                |

| Certificates | Manufacturer | Sectors  |
|--------------|--------------|----------|
|              | Runxin       | Domestic |



- Multi-way valves having five functions: service, backwash, brine, fast rinse and refill;
- IN/OUT connections 1" BSPP female;
- Drain line connection 1/2" BSPP female;
- Brine line connection 3/8" BSPT male;
- Riser tube diameter 1,05" (26,7 mm);
- Max suggested flow 4,5 m3/h (only valve) @ Δp = 1,75 bar;
- Operating flow rate Kv = 3,13;
- Backwash flow rate Kv = 1,25;
- Max operating pressure 6 bar @ 20°C;
- Max operating temperature 50°C;
- Upper screen included.

• **ATTENTION:** this multi-way valve is prohibited to change working position with pressure; make sure to shut down pump or close feed valve before rotating the handle to other working position.

| Ref    | Description   | Fam. | Subfam. | Disp. Stock |  |
|--------|---|------|---------|-------------|--|
| RF64A1 | VALV. MANUAL SOFT. F64A (61104) 1"DF - METAL HANDLE   | 22   | 950     | •           |  |
| RF64A2 | VALV. MANUAL SOFT. F64A (61204) 1"DF - PLASTIC HANDLE | 22   | 950     | •           |  |
| RF64AC | VALV. MANUAL SOFT. F64AC (61204C) 1"DF - SIDE CONTROL | 22   | 950     | •           |  |

| Ref    | Description   | Mounting |
|--------|---|----------|
| RF64A1 | VALV. MANUAL SOFT. F64A (61104) 1"DF - METAL HANDLE   | Vertical |
| RF64A2 | VALV. MANUAL SOFT. F64A (61204) 1"DF - PLASTIC HANDLE | Vertical |
| RF64AC | VALV. MANUAL SOFT. F64AC (61204C) 1"DF - SIDE CONTROL | Side     |

| Box: WxLxH | Box: Q.ty | Box: Weight | Pallet: WxLxH | Pallet: Q.ty | Pallet: Weight |
|------------|-----------|-------------|---------------|--------------|----------------|
|            |           |             |               |              |                |

| Certificates | Manufacturer | Sectors  |
|--------------|--------------|----------|
|              | Runxin       | Domestic |





## Runxin Manual Filter Valves



### Max 4 m<sup>3</sup>/h Multi-way Manual Valve

- Multi-way valve having three functions: filtration, backwash, rinse;
- Fits threaded tanks 2 ½" - 8NPSM;
- IN/OUT connections and drain 1" BSPP female;
- Riser tube diameter 1,05" (26,7 mm);
- Max suggested flow 4 m<sup>3</sup>/h (only valve);
- Max operating pressure 6 bar @ 20°C;
- Max operating temperature 50°C;
- Upper screen included
- **ATTENTION:** this multi-way valve is prohibited to change working position with pressure; make sure to shut down pump or close feed valve before rotating the handle to other working position.

| Ref   | Description   | Fam. | Subfam. | Disp. Stock |  |
|-------|---|------|---------|-------------|--|
| PV410 | MULTI-WAY MANUAL VALVE 2.5" IN/OUT AND DRAIN W/UPPER SCREEN 1.05" | 50   | 240     | •           |  |

| Box: WxLxH | Box: Q.ty | Box: Weight | Pallet: WxLxH | Pallet: Q.ty | Pallet: Weight |
|------------|-----------|-------------|---------------|--------------|----------------|
|            |           |             |               |              |                |

| Certificates | Manufacturer | Sectors    |
|--------------|--------------|------------|
|              | Runxin       | Industrial |



### Max 10 m<sup>3</sup>/h Multi-way Manual Valves

- Multi-way valve having three functions: filtration, backwash, rinse;
- Fits threaded tanks 4" - 8UN;
- IN/OUT connections 2" BSPP female;
- Drain line connection 1,5" BSPP female;
- Riser tube diameter 50 mm;
- Max suggested flow 10 m<sup>3</sup>/h (only valve) @ Δp = 1,75 bar;
- Operating flow rate Kv = 8,2;
- Backwash flow rate Kv = 6,1;
- Max operating pressure 6 bar @ 20°C;
- Max operating temperature 50°C;
- Upper screen included.
- **ATTENTION:** this multi-way valve is prohibited to change working position with pressure; make sure to shut down pump or close feed valve before rotating the handle to other working position.

| Ref    | Description  | Fam. | Subfam. | Disp. Stock |  |
|--------|--|------|---------|-------------|--|
| RF56D1 | VALV. MANUAL FILTER F56D1 (51110) 2"F - METAL HANDLE   | 22   | 980     | •           |  |
| RF56D2 | VALV. MANUAL FILTER F56D2 (51210) 2"F - PLASTIC HANDLE | 22   | 980     | •           |  |

| Box: WxLxH | Box: Q.ty | Box: Weight | Pallet: WxLxH | Pallet: Q.ty | Pallet: Weight |
|------------|-----------|-------------|---------------|--------------|----------------|
|            |           |             |               |              |                |

| Certificates | Manufacturer | Sectors    |
|--------------|--------------|------------|
|              | Runxin       | Industrial |



## Fleck Residential Valves Series 4600



- Made in European Union (Italy)
- The 4600 control valve is suitable for residential softening applications, fully adjustable, for efficient and reliable water treatment.
- Designed with a double backwash for less loss of hardness.
- Valve body in brass.
- It is a single piston valve, with a protective cover against atmospheric agents resistant to water, corrosion and UV rays.
- Down Flow regeneration
- Operating Flow Rate = 4.5 m<sup>3</sup>/h (20 gpm)
- Backwash Flow Rate 1.6 m<sup>3</sup>/h (7 gpm)
- Regeneration:
  - Timeclock: 7 or 12 days
  - Meter: delayed or immediate
  - Electronics
- Complete with European Transformer 230-24 V / 50/60 Hz 60 VA and 1.05" twist lock upper screen.
- OPTIONS: Mechanical controllers for simplex; Hot Water - only mechanical 65 ° C meter / 82 ° C timeclock

| Ref         | Description   | Fam. | Subfam. | Disp. Stock |  |
|-------------|---|------|---------|-------------|--|
| FV460MC-600 | FLECK VALV. 4600/1600 12 DAYS 0-1,2-0,25                    | 23   | 505     |             |  |
| FV460MC-601 | FLECK VALV. 4600/1600 12 DAYS 1-1,5-0,25 HW                 | 23   | 505     |             |  |
| FV460MC-602 | FLECK VALV. 4600/1600 12 DAYS 0-1,2-0,25 LWU HW             | 23   | 505     |             |  |
| FV460MC-603 | FLECK VALV. 4600/1600 12 DAYS 0-1,2-0,25 LWU                | 23   | 505     |             |  |
| FV460MR-600 | FLECK VALV. 4600/1600 3/4" ECOBYPASS 8 M3 0-1,2-0,25 HW     | 23   | 505     |             |  |
| FV460MR-601 | FLECK VALV. 4600/1600 3/4" ECOBYPASS 8 M3 1-1,5-0,25 HW     | 23   | 505     |             |  |
| FV460MR-602 | FLECK VALV. 4600/1600 3/4" ECOBYPASS 8 M3 0-1,2-0,25 LWU HW | 23   | 505     |             |  |
| FV460MR-603 | FLECK VALV. 4600/1600 3/4" ECOBYPASS 8 M3 1-1,5-0,25 LWU HW | 23   | 505     |             |  |
| FV460MR-604 | FLECK VALV. 4600/1600 3/4" METER 8 M3 0-1,2-0,25 LWU        | 23   | 505     |             |  |
| FV460MR-605 | FLECK VALV. 4600/1600 3/4" METER 8 M3 1-1,5-0,25 LWU        | 23   | 505     |             |  |
| FV460SC-600 | FLECK VALV. 4600/1600 SXT 0-1,2-0,25 HW                     | 23   | 505     |             |  |

| Characteristics                 |                             |
|---------------------------------|-----------------------------|
| Tank size (recommended):        | Softening System = 6" ÷ 12" |
| In/Out Connections              | Threaded ¾" or 1" BSP       |
| Pressure vessel connection      | Threaded 2,5" - 8 UN male   |
| Drain line connection           | Threaded ½" NPT or BSP      |
| Brine line connection (1600)    | Threaded ⅜"                 |
| Distributor tube O. D. diameter | 1,05" (=27 mm)              |
| Operating pressure              | 1,4 ÷ 8,5 bar               |
| Water Temperature               | 1 ÷ 40 °C                   |
| Protection class                | IP22                        |
| Height (from top of tank)       | 180 mm                      |

| Box: WxLxH | Box: Q.ty | Box: Weight | Pallet: WxLxH | Pallet: Q.ty | Pallet: Weight |
|------------|-----------|-------------|---------------|--------------|----------------|
|            |           |             |               |              |                |

| Certificates       | Manufacturer | Sectors  |
|--------------------|--------------|----------|
| DM174-2004 CE, EAC | Pentair      | Domestic |

### Accessories

| Ref         | Description  | Fam. | Subfam. | Disp. Stock |  |
|-------------|--|------|---------|-------------|--|
| FVA13398-10 | 1" BSP F BRASS YOKE FOR 5800, 9000 AND 9100 VALVES     | 23   | 590     |             |  |
| FVA18706-10 | 1" BSP M PLASTIC YOKE FOR 5800, 9000 AND 9100 VALVES   | 23   | 590     |             |  |
| FVA24689    | 3/4" BSP M BRASS YOKE FOR 5800, 9000 AND 9100 VALVES   | 23   | 590     |             |  |
| FVA18706-12 | 3/4" BSP M PLASTIC YOKE FOR 5800, 9000 AND 9100 VALVES | 23   | 590     |             |  |



## Fleck Residential Valves Series 5600



- Made in European Union (Italy)
- The 5600 is high performance control valve, ideal for residential softening applications with multiple options (also filter). The valve body in fiber-reinforced material is UV rays resistant and no subject to corrosion. The valve is easily programmable and very intuitive. Modular design simplifies the disassembly and the maintenance.
- The 5600 valve has a mechanical timer: the 5600SXT valve is an electronic valve: they share the same valve body (5600), but it is different for the cover and the electronic components.
- Down Flow regeneration.
- Valve body in Noryl plastic material = polyphenylene oxide (PPO).
- Operating Flow Rate = 4.5 m<sup>3</sup>/h (20 gpm)
- Backwash Flow rate = 1.6 m<sup>3</sup>/h (7 gpm)
- Regeneration:
  - Chronometric: 7 or 12 days
  - Volumetric: delayed or immediate
  - Electronics
- Complete with European Transformer 230-24 V / 50/60 Hz 60 VA and 1.05" twist lock upper screen.
- OPTIONS: SXT electronics.

| Ref         | Description  | Fam. | Subfam. | Disp. Stock |  |
|-------------|--|------|---------|-------------|--|
| FV560MC-600 | FLECK VALV. 5600/1600 12 DAYS 0-1,2-0,25 LWU         | 23   | 500     |             |  |
| FV560MC-601 | FLECK VALV. 5600/1600 12 DAYS 1-1,5-0,25             | 23   | 500     |             |  |
| FV560MC-602 | FLECK VALV. 5600/1600 12 DAYS 2-3,5-0,5              | 23   | 500     |             |  |
| FV560MC-603 | FLECK VALV. 5600 FILTER 12 DAYS 7 GPM MW             | 23   | 500     |             |  |
| FV560MR-601 | FLECK VALV. 5600/1600 3/4" METER 8 M3 1-1,5-0,25     | 23   | 500     |             |  |
| FV560MR-602 | FLECK VALV. 5600/1600 3/4" METER 40 M3 2-3,5-0,5     | 23   | 500     |             |  |
| FV560MR-603 | FLECK VALV. 5600/1600 3/4" METER 8 M3 0-1,2-0,25 LWU | 23   | 500     |             |  |
| FV560SC-600 | FLECK VALV. 5600/1600 SXT 0-1,2-0,25                 | 23   | 500     |             |  |
| FV560SC-601 | FLECK VALV. 5600/1600 SXT 1-1,5-0,25                 | 23   | 500     |             |  |
| FV560SR-600 | FLECK VALV. 5600/1600 SXT 3/4" TURBINE 0-1,2-0,25    | 23   | 500     |             |  |
| FV560SR-601 | FLECK VALV. 5600/1600 SXT 3/4" TURBINE 1-1,5-0,25    | 23   | 500     |             |  |
| FV560SR-602 | FLECK VALV. 5600/1600 SXT 3/4" TURBINE 2-3,5-0,5     | 23   | 500     |             |  |
| FV560SR-603 | FLECK VALV. 5600/1600 SXT 3/4" TURBINE 1-2,4-0,25    | 23   | 500     |             |  |

| Characteristics                 |                                     |
|---------------------------------|-------------------------------------|
| Tank size (recommended):        | Softening System = 6" ÷ 12"         |
| In/Out Connections              | Threaded 3/4" or 1" BSP             |
| Pressure vessel connection      | Threaded 2,5" - 8 UN male           |
| Drain line connection           | Threaded 1/2" NPT or BSP            |
| Brine line connection (1600)    | Threaded 3/8"                       |
| Distributor tube O. D. diameter | 1,05" (=27 mm)                      |
| Operating pressure              | 1,4 ÷ 8,5 bar                       |
| Water Temperature               | 1 ÷ 40 °C                           |
| Protection class                | IP22                                |
| Height (from top of tank)       | 180 mm (200 mm with programmer SXT) |

| Box: WxLxH | Box: Q.ty | Box: Weight | Pallet: WxLxH | Pallet: Q.ty | Pallet: Weight |
|------------|-----------|-------------|---------------|--------------|----------------|
|            |           |             |               |              |                |

| Certificates       | Manufacturer | Sectors  |
|--------------------|--------------|----------|
| DM174-2004 CE, EAC | Pentair      | Domestic |



## Fleck Residential Valves Series 5600

### Accessories

| Ref         | Description  | Fam. | Subfam. | Disp. Stock |  |
|-------------|--|------|---------|-------------|--|
| FVA13398-10 | 1" BSP F BRASS YOKE FOR 5800, 9000 AND 9100 VALVES     | 23   | 590     |             |  |
| FVA18706-10 | 1" BSP M PLASTIC YOKE FOR 5800, 9000 AND 9100 VALVES   | 23   | 590     |             |  |
| FVA24689    | 3/4" BSP M BRASS YOKE FOR 5800, 9000 AND 9100 VALVES   | 23   | 590     |             |  |
| FVA18706-12 | 3/4" BSP M PLASTIC YOKE FOR 5800, 9000 AND 9100 VALVES | 23   | 590     |             |  |





## Fleck Residential Valves Series 5800



- Made in European Union (Italy)
- The 5800 control valve is suitable for residential/commercial filter/softening applications. The valve body in fiber-reinforced material is UV rays resistant and no subject to corrosion.
- 5800 represents a great step forward in the Fleck product range: the valve platform
- is made of one hydraulic valve and different controllers, allowing various options, eliminating the need to stock a variety of control valves for filter or softener applications. 5800 features an improved flow, easy servicing (one-piece seal and spacer cartridge for quick and easy replacement) and a quick set-up.
- Cartridge with seal and spacer, reduced list of spare parts and snap assembly.
- LCD - backlit display that helps in the presence of poor lighting conditions.
- Down/Up Flow regeneration, according to the models.
- Valve body in Noryl plastic material = polyphenylene oxide (PPO).
- **Operating Flow Rate** = 4.7 m<sup>3</sup>/h (21gpm) **Backwash Flow rate** = 3.8 m<sup>3</sup>/h (16 gpm)
- Regeneration: - **Chronometric**: 7 or 12 days - **Volumetric**: delayed or immediate - Electronics
- Complete with 1.05" twist lock upper screen. In 24 V with international adapter 230 VAC - 12 VDC 50/60 Hz.
- **NOTE**: Not use silicone lubricants. **OPTIONS**: Electronic LXT - SXT - XTR

| Ref         | Description   | Fam. | Subfam. | Disp. Stock |  |
|-------------|---|------|---------|-------------|--|
| FV580LC-001 | FLECK VALV. 5800/1600 LXT DF 000-1,5-0,125              | 23   | 510     |             |  |
| FV580LR-001 | FLECK VALV. 5800/1600 LXT DF 3/4" TURBINE 000-1,5-0,125 | 23   | 510     |             |  |
| FV580LR-002 | FLECK VALV. 5800/1600 LXT UF 3/4" TURBINE 000-1,5-0,125 | 23   | 510     |             |  |
| FV580LC-002 | FLECK VALV. 5800/1600 LXT UF 000-1,5-0,125              | 23   | 510     |             |  |
| FV580LC-003 | FLECK VALV. 5800 FILTER LXT 7 GPM                       | 23   | 510     |             |  |
| FV580SC-001 | FLECK VALV. 5800/1600 SXT DF 1-1,5-0,25                 | 23   | 510     |             |  |
| FV580SR-001 | FLECK VALV. 5800/1600 SXT DF 3/4" TURBINE 1-1,5-0,25    | 23   | 510     |             |  |
| FV580SR-002 | FLECK VALV. 5800/1600 SXT DF 3/4" TURBINE 0-1,2-0,25    | 23   | 510     |             |  |
| FV580SR-003 | FLECK VALV. 5800/1600 SXT UF 3/4" TURBINE 00-1,2-0,125  | 23   | 510     |             |  |
| FV580SC-003 | FLECK VALV. 5800/1600 SXT UF 00-1,2-0,125               | 23   | 510     |             |  |
| FV580SC-004 | FLECK VALV. 5800 FILTER SXT 7 GPM                       | 23   | 510     |             |  |
| FV580XC-001 | FLECK VALV. 5800/1600 XTR DF 1-1,5-0,25                 | 23   | 510     |             |  |
| FV580XR-001 | FLECK VALV. 5800-1600 XTR DF 3/4" TURBINE 1-1,5-0,25    | 23   | 510     |             |  |
| FV580XR-002 | FLECK VALV. 5800/1600 XTR UF 3/4" TURBINE 00-1,2-0,25   | 23   | 510     |             |  |
| FV580XC-003 | FLECK VALV. 5800 FILTER XTR 7 GPM                       | 23   | 510     |             |  |

| Characteristics                 |   |
|---------------------------------|---|
| Tank size (recommended):        | Softening System = 6" ÷ 16" Filter = 8" ÷ 16" |
| In/Out Connections              | Threaded 3/4 or 1,5" BSP to order separately  |
| Pressure vessel connection      | Threaded 2,5" - 8 UN male                     |
| Drain line connection           | Threaded 1/2" or 1" NPT                       |
| Brine line connection (1600)    | Threaded 3/8"                                 |
| Distributor tube O. D. diameter | 1,05" (=27 mm)                                |
| Operating pressure              | 1,4 ÷ 8,5 bar                                 |
| Water Temperature               | 1 ÷ 40 °C                                     |
| Protection class                | IP22  |
| Height (from top of tank)       | 228 mm  |

| Box: WxLxH | Box: Q.ty | Box: Weight | Pallet: WxLxH | Pallet: Q.ty | Pallet: Weight |
|------------|-----------|-------------|---------------|--------------|----------------|
|            |           |             |               |              |                |

| Certificates        | Manufacturer | Sectors  |
|---------------------|--------------|----------|
| DM174-2004, CE, EAC | Pentair      | Domestic |



## Fleck Residential Valves Series 5800

### Accessories

| Ref         | Description   | Fam. | Subfam. | Disp. Stock |  |
|-------------|---|------|---------|-------------|--|
| FVA13398-10 | 1" BSP F BRASS YOKE FOR 5800, 9000 AND 9100 VALVES          | 23   | 590     |             |  |
| FVA18706-10 | 1" BSP M PLASTIC YOKE FOR 5800, 9000 AND 9100 VALVES        | 23   | 590     |             |  |
| FVA24689    | 3/4" BSP M BRASS YOKE FOR 5800, 9000 AND 9100 VALVES        | 23   | 590     |             |  |
| FVA18706-12 | 3/4" BSP M PLASTIC YOKE FOR 5800, 9000 AND 9100 VALVES      | 23   | 590     |             |  |
| FVAP80      | P80 EMULSION TEMPORARY RUBBER ASSEMBLY LUBRICANT 10 ML TUBE | 23   | 590     | •           |  |



## Fleck Commercial Valves Series 5810



- Made in USA
- The 5810 control valve is suitable for commercial filter/softening applications.
- The valve body in fiber-reinforced material is UV rays resistant and no subject to corrosion.
- Developed on the same platform as the 5800, the 5810 (1" valve body) valve offers flexibility with a familiar appearance, while reducing carrying costs and product knowledge. The new 5810 valve uses the same electronic as the 5800. The SXT or touchscreen XTR controllers can be interchanged without any special tool thanks to the same plug-and-play connectors. As the 5810 valve allows multiple options, there is no need to stock a variety of control valves for filter or softener applications. Every single 5810 is engineered to adapt easily to a wide variety of water system configurations. Down/Up Flow regeneration, according to the models.
- Valve body in Noryl plastic material = polyphenylene oxide (PPO).
- D. M. n.174 dated 06/04/2004 compliant about materials suitable for contact with water for human consumption.
- Operating Flow Rate = 8.2 m<sup>3</sup> / h (36 gpm)
- Backwash Flow rate = 6.3 m<sup>3</sup> / h (28 gpm)
- Regeneration:
  - Chronometric: 7 or 12 days
  - Volumetric: delayed or immediate
  - Electronics
- In 24 V with international adapter 230 VAC - 12 VDC 50/60 Hz.
- **NOTE:** Upper diffuser to order separately. The DLFC must be ordered separately. **OPZIONI:** Electronic SXT - XTR

| Ref          | Description   | Fam. | Subfam. | Disp. Stock |  |
|--------------|---|------|---------|-------------|--|
| FV5810SC-001 | FLECK VALV. 5810 SXT FILTER 158 GPM - 32 MM DISTRIB. ADAPTER            | 23   | 512     |             |  |
| FV5810SC-002 | FLECK VALV. 5810/1610 sxt #1 inj blfc 0.50 gpm - 1,05" DISTRIB. ADAPTER | 23   | 512     |             |  |
| FV5810SR-001 | FLECK VALV. 5810/1610 sxt #1 inj blfc 0.50 gpm - 1,05" DISTRIB. ADAPTER | 23   | 512     |             |  |
| FV5810SR-002 | FLECK VALV. 5810/1610 SXT 1.25" INTEGRAL TURB. #4 INJ BLFC 0.50 GPM 32  | 23   | 512     |             |  |
| FV5810XC-001 | FLECK VALV. 5810/1610 XTR #1 INJ BLFC 0.50 GPM 1.05" DISTRIB. ADAPTER   | 23   | 512     |             |  |
| FV5810XC-002 | FLECK VALV. 5810/1610 XTR #4 INJ BLFC 0.50 GPM 32 MM DISTRIB. ADAPTER   | 23   | 512     |             |  |
| FV5810XR-001 | FLECK VALV. 5810/1610 XTR 1.25" INTEGRAL TURB. #1 INJ BLFC 0.50 GPM     | 23   | 512     |             |  |
| FV5810XR-002 | FLECK VALV. 5810/1610 XTR 1.25" INTEGRAL TURB. #4 INJ BLFC 0.50 GPM     | 23   | 512     |             |  |
| FV5810XR-003 | FLECK VALV. 5810/1610 XTR 1.25" INTEGRAL TURB. UF #0 INJ BLFC 0.50 GPM  | 23   | 512     |             |  |

| Characteristics                 |  |
|---------------------------------|--|
| Tank size (recommended):        | Softening System = 8" ÷ 21" Filter = 8" ÷ 21"      |
| In/Out Connections              | Threaded 1", 1,25" or 1,5" BSP to order separately |
| Pressure vessel connection      | Threaded 2,5" - 8 UN male                          |
| Drain line connection           | Threaded ¾" or 1" NPT                              |
| Brine line connection (1600)    | Threaded ⅜"  |
| Distributor tube O. D. diameter | 1,05" (=27 mm) or 32 mm                            |
| Operating pressure              | 1,4 ÷ 8,5 bar                                      |
| Water Temperature               | 1 ÷ 40 °C  |
| Protection class                | IP22   |
| Height (from top of tank)       | 287 mm   |

| Box: WxLxH | Box: Q.ty | Box: Weight | Pallet: WxLxH | Pallet: Q.ty | Pallet: Weight |
|------------|-----------|-------------|---------------|--------------|----------------|
|            |           |             |               |              |                |

| Certificates       | Manufacturer | Sectors    |
|--------------------|--------------|------------|
| DM174-2004 CE, EAC | Pentair      | Commercial |



## Fleck Commercial Valves Series 5810

### Accessories

| Ref          | Description                                    | Fam. | Subfam. | Disp. Stock |  |
|--------------|--|------|---------|-------------|--|
| FVA28764     | TOP DISTRIBUTOR 32 MM FOR 5810 VALVE           | 23   | 590     |             |  |
| FVA28511-01  | TOP DISTRIBUTOR 1,05" FOR 5810 FILTER VALVE    | 23   | 590     |             |  |
| FVA28511     | TOP DISTRIBUTOR 1,05" FOR 5810 SOFTENING VALVE | 23   | 590     |             |  |
| FVA61991-02  | CONNECTOR ASSY 1" BSP FOR 5810 VALVE           | 23   | 590     |             |  |
| FVA61991-04  | CONNECTOR ASSY 1 1/4" BSP FOR 5810 VALVE       | 23   | 590     |             |  |
| FVA61991-09  | CONNECTOR ASSY 1 1/2" BSP FOR 5810 VALVE       | 23   | 590     |             |  |
| FVA28386-ALL | DLFC KIT 1" BSP 10 TO 25 GPM FOR VALVE 5810    | 23   | 590     |             |  |
| FVA28385-1.2 | DLFC 3/4" BSP ELBOW 1.2 GPM FOR VALVE 5810     | 23   | 590     |             |  |
| FVA28385-1.5 | DLFC 3/4" BSP ELBOW 1.5 GPM FOR VALVE 5810     | 23   | 590     |             |  |
| FVA28385-2   | DLFC 3/4" BSP ELBOW 2 GPM FOR VALVE 5810       | 23   | 590     |             |  |
| FVA28385-2.4 | DLFC 3/4" BSP ELBOW 2.4 GPM FOR VALVE 5810     | 23   | 590     |             |  |
| FVA28385-3   | DLFC 3/4" BSP ELBOW 3 GPM FOR VALVE 5810       | 23   | 590     |             |  |
| FVA28385-3.5 | DLFC 3/4" BSP ELBOW 3.5 GPM FOR VALVE 5810     | 23   | 590     |             |  |
| FVA28385-4   | DLFC 3/4" BSP ELBOW 4 GPM FOR VALVE 5810       | 23   | 590     |             |  |
| FVA28385-5   | DLFC 3/4" BSP ELBOW 5 GPM FOR VALVE 5810       | 23   | 590     |             |  |
| FVA28385-7   | DLFC 3/4" BSP ELBOW 7 GPM FOR VALVE 5810       | 23   | 590     |             |  |



## Fleck Commercial Valves Series Twin 9000



- Made in European Union (Italy)
- The 9000 is a brass valve with a fully adjustable 5-cycle control for efficient and reliable water treatment for commercial softening applications, suitable for alternating duplex systems.
- It regenerates immediately when needed for continuous soft water, keeping system clean for optimum operating efficiency and minimum maintenance.
- Valve body in brass, which permit to adapt the hot water option up to 65°C.
- Down Flow regeneration
- Operating Flow Rate = 4 m<sup>3</sup>/h (17 gpm)
- Backwash Flow Rate = 1.9 m<sup>3</sup>/h (8 gpm)
- Regeneration:
  - Volumetric: delayed or immediate
  - Electronics
- Complete with European Transformer 230-24 V / 50/60 Hz 60 VA and 1.05" twist lock upper screen.
- NOTE: Accessories for the connection of the second tank are not included, to order separately. Upper diffusers included, for both pressure tanks.
- OPTIONS: Electronic SXT - ET; Hot water 65 ° C

| Ref         | Description   | Fam. | Subfam. | Disp. Stock |  |
|-------------|---|------|---------|-------------|--|
| FV900SI-600 | FLECK VALV. 9000/1600 SXT 3/4" METER 0-1,2-0,25                 | 23   | 515     |             |  |
| FV900SI-601 | FLECK VALV. 9000/1600 SXT 3/4" METER 1-1,5-0,25                 | 23   | 515     |             |  |
| FV900SI-602 | FLECK VALV. 9000/1600 SXT 3/4" METER 1-2,4-0,5                  | 23   | 515     |             |  |
| FV900SI-603 | FLECK VALV. 9000/1600 SXT 3/4" METER 1-2,4-0,5 WITH MS ENG PLUG | 23   | 515     |             |  |
| FV900SI-604 | FLECK VALV. 9000/1600 SXT 1" METER 2-2,4-0,5                    | 23   | 515     |             |  |
| FV900SI-605 | FLECK VALV. 9000/1600 SXT 3/4" METER 2-3,5-1                    | 23   | 515     |             |  |
| FV900SI-606 | FLECK VALV. 9000/1600 SXT 3/4" METER 2-4-1                      | 23   | 515     |             |  |
| FV900SI-607 | FLECK VALV. 9000/1600 SXT 3/4" METER 3-5-1                      | 23   | 515     |             |  |
| FV900SI-608 | FLECK VALV. 9000/1600 SXT 3/4" METER 3-7-1                      | 23   | 515     |             |  |
| FV900MI-600 | FLECK VALV. 9000/1600 3/4" METER 8 M3 1-1,5-0,25                | 23   | 515     |             |  |
| FV900MI-601 | FLECK VALV. 9000/1600 3/4" METER 8 M3 1-2,4-0,5                 | 23   | 515     |             |  |
| FV900MI-602 | FLECK VALV. 9000/1600 3/4" METER 40 M3 1-2,4-0,5                | 23   | 515     |             |  |
| FV900MI-603 | FLECK VALV. 9000/1600 3/4" METER 40 M3 2-3,5-1                  | 23   | 515     |             |  |
| FV900MI-604 | FLECK VALV. 9000/1600 3/4" METER 40 M3 2-4-1                    | 23   | 515     |             |  |
| FV900MI-605 | FLECK VALV. 9000/1600 3/4" METER 40 M3 3-5-1                    | 23   | 515     |             |  |
| FV900MI-606 | FLECK VALV. 9000/1600 1" METER 100 M3 3-5-1                     | 23   | 515     |             |  |
| FV900MI-607 | FLECK VALV. 9000/1600 3/4" METER 40 M3 3-7-1                    | 23   | 515     |             |  |
| FV900MI-608 | FLECK VALV. 9000/1600 1" METER 100 M3 3-7-1                     | 23   | 515     |             |  |
| FV900MI-609 | FLECK VALV. 9000/1600 1" METER 100 M3 3-7-1                     | 23   | 515     |             |  |



## Fleck Commercial Valves Series Twin 9000

### Accessories

| Ref         | Description  | Fam. | Subfam. | Disp. Stock |  |
|-------------|--|------|---------|-------------|--|
| FVA18122    | 9000 KIT FLEXIBLE 2ND TANK ADAPTER - 200 MM            | 23   | 590     |             |  |
| FVA18123    | 9000 KIT FLEXIBLE 2ND TANK ADAPTER - 400 MM            | 23   | 590     |             |  |
| FVA18124    | 9000 KIT FLEXIBLE 2ND TANK ADAPTER - 500 MM            | 23   | 590     |             |  |
| FVA13398-10 | 1" BSP F BRASS YOKE FOR 5800, 9000 AND 9100 VALVES     | 23   | 590     |             |  |
| FVA18706-10 | 1" BSP M PLASTIC YOKE FOR 5800, 9000 AND 9100 VALVES   | 23   | 590     |             |  |
| FVA24689    | 3/4" BSP M BRASS YOKE FOR 5800, 9000 AND 9100 VALVES   | 23   | 590     |             |  |
| FVA18706-12 | 3/4" BSP M PLASTIC YOKE FOR 5800, 9000 AND 9100 VALVES | 23   | 590     |             |  |

| Characteristics                  |   |
|----------------------------------|---|
| Tank size (recommended):         | Softening System = 6" ÷ 16"   |
| Connections di Ingresso / Uscita | Threaded 3/4" or 1" BSP to be ordered separately in quantities depending on the installation. |
| Pressure vessel connection       | Threaded 2,5" - 8 UN male   |
| Drain line connection            | Threaded 1/2" or 1" NPT   |
| Brine line connection (1600)     | Threaded 3/8"   |
| Distributor tube O. D. diameter  | 1,05" (=27 mm)  |
| Operating pressure               | 1,8 ÷ 8,5 bar   |
| Water Temperature                | 1 ÷ 40 °C   |
| Protection class                 | IP22  |
| Height (from top of tank)        | 165 mm  |

| Box: WxLxH | Box: Q.ty | Box: Weight | Pallet: WxLxH | Pallet: Q.ty | Pallet: Weight |
|------------|-----------|-------------|---------------|--------------|----------------|
|            |           |             |               |              |                |

| Certificates       | Manufacturer | Sectors    |
|--------------------|--------------|------------|
| DM174-2004 CE, EAC | Pentair      | Commercial |



## Fleck Commercial Valves Series Twin 9100



- Made in European Union (Italy)
- The 9100 is a valve in Noryl plastic material, non-corrosive and UV-resistant, for an efficient water treatment and suitable for commercial softening applications, designed for alternating duplex systems.
- It regenerates immediately when needed for continuous soft water, keeping system clean for optimum operating efficiency and minimum maintenance.
- Valve body in Noryl plastic material = polyphenylene oxide (PPO). **Down Flow regeneration.**
- **Operating Flow Rate** = 4 m<sup>3</sup>/h (17 gpm) **Backwash Flow Rate** = 1.9 m<sup>3</sup>/h (8 gpm)
- Regeneration: - Volumetric: delayed or immediate - Electronics
- Complete with: European Transformer 230-24 V / 50/60 Hz 60 VA -1.05" twist lock upper screen -quick connections for the second tank and PVC connection pipes.
- **NOTE:** Accessories for the connection of the second tank are not included, to order separately. Upper diffusers included, for both pressure tanks. **OPTIONS:** Electronic SXT - ET

| Ref         | Description  | Fam. | Subfam. | Disp. Stock |  |
|-------------|--|------|---------|-------------|--|
| FV910SI-600 | FLECK VAL. 9100/1600 SXT MIXING 3/4" METER 0-1,2-0,25  | 23   | 520     |             |  |
| FV910SI-601 | FLECK VALV. 9100/1600 SXT 3/4" METER 1-2,4-0,5         | 23   | 520     |             |  |
| FV910SI-602 | FLECK VALV. 9100/1600 SXT 3/4" METER MSWIRED 1-2,4-0,5 | 23   | 520     |             |  |
| FV910SI-603 | FLECK VALV. 9100/1600 SXT 3/4" METER MS 1-2,4-0,5      | 23   | 520     |             |  |
| FV910SI-604 | FLECK VALV. 9100/1600 SXT 3/4" MS 1-2,4-0,5 ENG. PLUG  | 23   | 520     |             |  |
| FV910SI-605 | FLECK VALV. 9100/1600 SXT MIXING 3/4" METER 1-2,4-0,5  | 23   | 520     |             |  |
| FV910SI-606 | FLECK VALV. 9100/1600 SXT 3/4" METER 2-3,5-1           | 23   | 520     |             |  |
| FV910SI-607 | FLECK VALV. 9100/1600 SXT 1" METER 3-5-1               | 23   | 520     |             |  |
| FV910SI-608 | FLECK VALV. 9100/1600 SXT 3/4" METER 3-5-1             | 23   | 520     |             |  |
| FV910MI-600 | FLECK VALV. 9100/1600 3/4" METER 8 M3 1-1,2-0,25       | 23   | 520     |             |  |
| FV910MI-601 | FLECK VALV. 9100/1600 3/4" METER 8 M3 1-1,5-0,5        | 23   | 520     |             |  |
| FV910MI-602 | FLECK VALV. 9100/1600 3/4" METER 40 M3 1-2,4-0,5       | 23   | 520     |             |  |
| FV910MI-603 | FLECK VALV. 9100/1600 3/4" METER 40 M3 2-3,5-1         | 23   | 520     |             |  |
| FV910MI-604 | FLECK VALV. 9100/1600 1" METER 100 M3 3-5-1            | 23   | 520     |             |  |
| FV910MI-605 | FLECK VALV. 9100/1600 3/4" METER 40 M3 3-7-1           | 23   | 520     |             |  |

| Characteristics                 |   |
|---------------------------------|---|
| Tank size (recommended):        | Softening System = 6" ÷ 16"   |
| In/Out Connections              | Threaded 3/4" or 1" BSP to be ordered separately in quantities depending on the installation. |
| Pressure vessel connection      | Threaded 2,5" - 8 UN male   |
| Drain line connection           | Threaded 1/2" or 1" NPT or BSP  |
| Brine line connection (1600)    | Threaded 3/8"   |
| Distributor tube O. D. diameter | 1,05" (=27 mm)  |
| Operating pressure              | 1,8 ÷ 8,5 bar   |
| Water Temperature               | 1 ÷ 40 °C   |
| Protection class                | IP22  |
| Height (from top of tank)       | 185 mm  |

| Box: WxLxH | Box: Q.ty | Box: Weight | Pallet: WxLxH | Pallet: Q.ty | Pallet: Weight |
|------------|-----------|-------------|---------------|--------------|----------------|
|            |           |             |               |              |                |

| Certificates       | Manufacturer | Sectors    |
|--------------------|--------------|------------|
| DM174-2004 CE, EAC | Pentair      | Commercial |



## Fleck Commercial Valves Series Twin 9100

### Accessories

| Ref         | Description  | Fam. | Subfam. | Disp. Stock |  |
|-------------|--|------|---------|-------------|--|
| FVA28243-07 | 9100 PVC CONNECTING TUBES 2ND TANK ADAPTER - 7"        | 23   | 590     |             |  |
| FVA28243-09 | 9100 PVC CONNECTING TUBES 2ND TANK ADAPTER - 9"        | 23   | 590     |             |  |
| FVA28243-12 | 9100 PVC CONNECTING TUBES 2ND TANK ADAPTER - 12"       | 23   | 590     |             |  |
| FVA28243-16 | 9100 PVC CONNECTING TUBES 2ND TANK ADAPTER - 16"       | 23   | 590     |             |  |
| FVA13398-10 | 1" BSP F BRASS YOKE FOR 5800, 9000 AND 9100 VALVES     | 23   | 590     |             |  |
| FVA18706-10 | 1" BSP M PLASTIC YOKE FOR 5800, 9000 AND 9100 VALVES   | 23   | 590     |             |  |
| FVA24689    | 3/4" BSP M BRASS YOKE FOR 5800, 9000 AND 9100 VALVES   | 23   | 590     |             |  |
| FVA18706-12 | 3/4" BSP M PLASTIC YOKE FOR 5800, 9000 AND 9100 VALVES | 23   | 590     |             |  |





## Fleck Commercial Valves Series Twin 9500



- Made in European Union (Italy)
- The 9500 is a brass valve, non-corrosive and UV-resistant, with fully adjustable 5-cycle control for an efficient water treatment and suitable for commercial softening applications, designed for alternating duplex systems.
- It regenerates immediately when needed for continuous soft water, keeping system clean for optimum operating efficiency and minimum maintenance.
- Valve body in brass, which permit to adapt the hot water option up to 65°C.
- Down Flow regeneration.
- Operating Flow Rate = 8.4 m<sup>3</sup>/h (37 gpm)
- Backwash Flow Rate = 3.3 m<sup>3</sup>/h (14 gpm)
- **Regeneration:** - Volumetric: delayed or immediate - Electronics
- Complete with European Transformer 230-24 V / 50/60 Hz 60 VA
- **NOTE:** Accessories for the connection of the second tank are not included, to order separately. Upper diffusers included, for both pressure tanks
- **OPTIONS:** Electronic SXT - ET; Hot water 65 ° C

| Ref         | Description   | Fam. | Subfam. | Disp. Stock |  |
|-------------|---|------|---------|-------------|--|
| FV950SI-600 | FLECK VALV. 9500/1650 SXT 1.5" METER 3-5-1                | 23   | 525     |             |  |
| FV950SI-601 | FLECK VALV. 9500/1650 SXT 1.5" INLINE METER 3-5-1         | 23   | 525     |             |  |
| FV950SI-602 | FLECK VALV. 9500/1650 SXT 1.5" METER MS 3-5-1 ENG. PLUG   | 23   | 525     |             |  |
| FV950SI-603 | FLECK VALV. 9500/1710 SXT 1.5" METER 3C-7-1,2             | 23   | 525     |             |  |
| FV950SI-604 | FLECK VALV. 9500/1710 SXT 1.5" METER 4C-10-2              | 23   | 525     |             |  |
| FV950SI-605 | FLECK VALV. 9500/1710 SXT 1.5" METER 4C-15-2              | 23   | 525     |             |  |
| FV950SI-606 | FLECK VALV. 9500/1710 SXT 1.5" INLINE METER 4C-15-2       | 23   | 525     |             |  |
| FV950SI-607 | FLECK VALV. 9500/1710 SXT 1.5" METER MS 4C-15-2 ENG. PLUG | 23   | 525     |             |  |
| FV950EI-600 | FLECK VALV. 9500/1650 ET 1.5" METER 3-5-1                 | 23   | 525     |             |  |
| FV950EI-601 | FLECK VALV. 9500/1710 ET 1.5" METER 4C-15-2               | 23   | 525     |             |  |
| FV950MI-600 | FLECK VALV. 9500/1650 1.5" METER 40 M3 3-5-1              | 23   | 525     |             |  |
| FV950MI-602 | FLECK VALV. 9500/1710 1.5" METER 200 M3 4C-10-2           | 23   | 525     |             |  |
| FV950MI-603 | FLECK VALV. 9500/1710 1.5" METER 200 M3 MSWIRED 4C-10-2   | 23   | 525     |             |  |
| FV950MI-604 | FLECK VALV. 9500/1710 1.5" METER 40 M3 4C-10-2            | 23   | 525     |             |  |
| FV950MI-606 | FLECK VALV. 9500/1710 1.5" METER 40 M3 4C-15-2            | 23   | 525     |             |  |

### Accessories

| Ref         | Description                                  | Fam. | Sotto Fam. | Disp. Stock |  |
|-------------|--|------|------------|-------------|--|
| FVA28137-16 | 9500 KIT COPPER TUBES 2ND TANK ADAPTER - 16" | 23   | 590        |             |  |
| FVA28137-20 | 9500 KIT COPPER TUBES 2ND TANK ADAPTER - 20" | 23   | 590        |             |  |
| FVA28137-24 | 9500 KIT COPPER TUBES 2ND TANK ADAPTER - 24" | 23   | 590        |             |  |



## Fleck Commercial Valves Series Twin 9500

| Characteristics                 |                              |
|---------------------------------|------------------------------|
| Tank size (recommended):        | Softening System = 10" ÷ 24" |
| In/Out Connections              | Threaded 1,5" BSP            |
| Pressure vessel connection      | Threaded 4" - 8 UN male      |
| Drain line connection           | Threaded ½" NPT or BSP       |
| Brine line connection (1650)    | Threaded ¾"                  |
| Brine line connection (1710)    | Threaded 1"                  |
| Distributor tube O. D. diameter | 50 mm                        |
| Operating pressure              | 1,8 ÷ 8,5 bar                |
| Water Temperature               | 1 ÷ 40 °C                    |
| Protection class                | IP22                         |
| Height (from top of tank)       | 185 mm                       |

| Box: WxLxH | Box: Q.ty | Box: Weight | Pallet: WxLxH | Pallet: Q.ty | Pallet: Weight |
|------------|-----------|-------------|---------------|--------------|----------------|
|            |           |             |               |              |                |

| Certificates       | Manufacturer | Sectors    |
|--------------------|--------------|------------|
| DM174-2004 CE, EAC | Pentair      | Commercial |

### Accessories

| Ref         | Description                                  | Fam. | Subfam. | Disp. Stock |  |
|-------------|--|------|---------|-------------|--|
| FVA28137-16 | 9500 KIT COPPER TUBES 2ND TANK ADAPTER - 16" | 23   | 590     |             |  |
| FVA28137-20 | 9500 KIT COPPER TUBES 2ND TANK ADAPTER - 20" | 23   | 590     |             |  |
| FVA28137-24 | 9500 KIT COPPER TUBES 2ND TANK ADAPTER - 24" | 23   | 590     |             |  |



## Fleck Industrial Valves Series 2750



- Made in European Union (Italy)
- The 2750 control valve is suitable for small commercial and industrial filter or softening applications, designed for systems with one or more columns.
- It is a single piston valve, with a protective cover water, corrosion and UV rays resistant.
- Valve body in brass.
- Down Flow regeneration
- Operating Flow Rate = 5.9 m<sup>3</sup>/h (26 gpm)
- Backwash Flow Rate = 5.6 m<sup>3</sup>/h (25 gpm)
- Regeneration: Manual - Chronometric: 7 or 12 days
- - Volumetric: delayed or immediate -Electronics
- Complete with European Transformer 230-24 V / 50/60 Hz 60 VA and 1.05" twist lock upper screen.
- NOTE: For electronic models, the meter is not included, to order separately. For the filter valves, the DLFC is not included, to order separately.
- For NXT multi valve systems, please order (quantity = n-1 valves) the cable kit NXT (ref.FVABU41692) separately;
- OPTIONS: NBP piston - Manual filter - SXT - NXT electronics - Mechanical controllers for simplex and duplex - Hot water - mechanical only 65 ° C volumetric or 82 ° C chronometric

| Ref         | Description                                     | Fam. | Subfam. | Disp. Stock |  |
|-------------|---|------|---------|-------------|--|
| FV275XC-600 | FLECK VALV. 2750/1710 NO TIMER MSWIRED 4C-10-2  | 23   | 530     |             |  |
| FV275XC-601 | FLECK VALV. 2750/1650 NO TIMER MSWIRED 3-5-1    | 23   | 530     |             |  |
| FV275XC-602 | FLECK VALV. 2750/1600 NO TIMER HW MSWIRED 3-5-1 | 23   | 530     |             |  |
| FV275SC-600 | FLECK VALV. 2750 FILTER SXT                     | 23   | 530     |             |  |
| FV275SC-601 | FLECK VALV. 2750 FILTER SXT NBP                 | 23   | 530     |             |  |
| FV275SC-602 | FLECK VALV. 2750 FILTER SXT NBP HW              | 23   | 530     |             |  |
| FV275SC-603 | FLECK VALV. 2750/1650 SXT 3-5-1                 | 23   | 530     |             |  |
| FV275NC-600 | FLECK VALV. 2750 FILTER NXT NBP                 | 23   | 530     |             |  |
| FV275NC-601 | FLECK VALV. 2750 FILTER NXT                     | 23   | 530     |             |  |
| FV275NC-602 | FLECK VALV. 2750/1650 NXT 3-5-1                 | 23   | 530     |             |  |
| FV275NC-603 | FLECK VALV. 2750/1650 NXT NBP 3-5-1             | 23   | 530     |             |  |
| FV275NC-604 | FLECK VALV. 2750/1710 NXT NBP 4C-10-2           | 23   | 530     |             |  |
| FV275NC-605 | FLECK VALV. 2750/1600 NXT HW MSWIRED 3-5-1      | 23   | 530     |             |  |
| FV275NC-606 | FLECK VALV. 2750/1600 NXT HW MSWIRED NBP 3-5-1  | 23   | 530     |             |  |

| Characteristics                 |   |
|---------------------------------|---|
| Tank size (recommended):        | Softening System = 10" ÷ 24" Filter = 10" ÷ 21" |
| In/Out Connections              | Threaded 1" BSP F                               |
| Pressure vessel connection      | Threaded 2,5" - 8 UN male                       |
| Drain line connection           | Threaded 3/4" NPT or BSP                        |
| Brine line connection (1600)    | Threaded 3/8"                                   |
| Brine line connection (1710)    | Threaded 1/2"                                   |
| Distributor tube O. D. diameter | 1,05" (=27 mm)                                  |
| Operating pressure              | 1,8 ÷ 8,5 bar                                   |
| Water Temperature               | 1 ÷ 40 °C                                       |
| Protection class                | IP22  |
| Height (from top of tank)       | 165 mm  |

| Box: WxLxH | Box: Q.ty | Box: Weight | Pallet: WxLxH | Pallet: Q.ty | Pallet: Weight |
|------------|-----------|-------------|---------------|--------------|----------------|
|            |           |             |               |              |                |

| Certificates       | Manufacturer | Sectors                |
|--------------------|--------------|------------------------|
| DM174-2004 CE, EAC | Pentair      | Commercial, Industrial |



## Fleck Industrial Valves Series 2750

| Ref         | Description                                   | Fam. | Subfam. | Disp. Stock |  |
|-------------|---|------|---------|-------------|--|
| FV275XM-600 | FLECK VALV. 2750 FILTER MANUAL                | 23   | 530     |             |  |
| FV275XM-601 | FLECK VALV. 2750 FILTER MANUAL NBP            | 23   | 530     |             |  |
| FV275MC-600 | FLECK VALV. 2750 FILTER 12 DAYS               | 23   | 530     |             |  |
| FV275MC-601 | FLECK VALV. 2750 FILTER 12 DAYS NBP           | 23   | 530     |             |  |
| FV275MC-602 | FLECK VALV. 2750/1650 12 DAYS 3-5-1           | 23   | 530     |             |  |
| FV275XM-600 | FLECK VALV. 2750 FILTER MANUAL                | 23   | 530     |             |  |
| FV275XM-601 | FLECK VALV. 2750 FILTER MANUAL NBP            | 23   | 530     |             |  |
| FV275MC-600 | FLECK VALV. 2750 FILTER 12 DAYS               | 23   | 530     |             |  |
| FV275MC-601 | FLECK VALV. 2750 FILTER 12 DAYS NBP           | 23   | 530     |             |  |
| FV275MC-602 | FLECK VALV. 2750/1650 12 DAYS 3-5-1           | 23   | 530     |             |  |
| FV275MC-603 | FLECK VALV. 2750/1710 12 DAYS 4C-10-2         | 23   | 530     |             |  |
| FV275MR-600 | FLECK VALV. 2750/1650 1" METER (100 M3) 3-5-1 | 23   | 530     |             |  |
| FV275MP-600 | FLECK VALV. 2750/1650 PULSE 3-5-1             | 23   | 530     |             |  |

| Box: WxLxH | Box: Q.ty | Box: Weight | Pallet: WxLxH | Pallet: Q.ty | Pallet: Weight |
|------------|-----------|-------------|---------------|--------------|----------------|
|            |           |             |               |              |                |

| Certificates       | Manufacturer | Sectors                |
|--------------------|--------------|------------------------|
| DM174-2004 CE, EAC | Pentair      | Commercial, Industrial |

### Accessories

| Ref          | Description                             | Fam. | Subfam. | Disp. Stock |  |
|--------------|---|------|---------|-------------|--|
| FVA24202-10  | DLFC 3/4" NPT - 3/4" BSP 2750 - 10 GPM  | 23   | 590     |             |  |
| FVA24202-12  | DLFC 3/4" NPT - 3/4" BSP 2750 - 12 GPM  | 23   | 590     |             |  |
| FVA24202-15  | DLFC 3/4" NPT - 3/4" BSP 2750 - 15 GPM  | 23   | 590     |             |  |
| FVA24202-20  | DLFC 3/4" NPT - 3/4" BSP 2750 - 20 GPM  | 23   | 590     |             |  |
| FVA24202-25  | DLFC 3/4" NPT - 3/4" BSP 2750 - 25 GPM  | 23   | 590     |             |  |
| FVA24202-9   | DLFC 3/4" NPT - 3/4" BSP 2750 - 9 GPM   | 23   | 590     |             |  |
| FVA24212-1.2 | DLFC 3/4" NPT - 1/2" NPT 2750 - 1,2 GPM | 23   | 590     |             |  |
| FVA24212-1.5 | DLFC 3/4" NPT - 1/2" NPT 2750 - 1,5 GPM | 23   | 590     |             |  |
| FVA24212-2   | DLFC 3/4" NPT - 1/2" NPT 2750 - 2 GPM   | 23   | 590     |             |  |
| FVA24212-2.4 | DLFC 3/4" NPT - 1/2" NPT 2750 - 2,4 GPM | 23   | 590     |             |  |
| FVA24212-3   | DLFC 3/4" NPT - 1/2" NPT 2750 - 3 GPM   | 23   | 590     |             |  |
| FVA24212-3.5 | DLFC 3/4" NPT - 1/2" NPT 2750 - 3,5 GPM | 23   | 590     |             |  |
| FVA24212-4   | DLFC 3/4" NPT - 1/2" NPT 2750 - 4 GPM   | 23   | 590     |             |  |
| FVA24212-5   | DLFC 3/4" NPT - 1/2" NPT 2750 - 5 GPM   | 23   | 590     |             |  |
| FVA24212-7   | DLFC 3/4" NPT - 1/2" NPT 2750 - 7 GPM   | 23   | 590     |             |  |
| FVA29096     | KIT METER SS ASSY 1" NT/NXT             | 23   | 590     |             |  |
| FVABU41692   | CABLE KIT NXT                           | 23   | 590     |             |  |



## Fleck Industrial Valves Series 2850



- Made in European Union (Italy)
- The 2850 control valve is suitable for small commercial and industrial filtration or softening applications, designed for systems with one or more columns.
- Valve body in brass.
- It is a single piston valve, with a cover non-corrosive, water and UV resistant.
- Down Flow regeneration
- Operating Flow Rate = 11.6 m<sup>3</sup>/h (51 gpm)
- Backwash Flow Rate = 11.1 m<sup>3</sup>/h (48 gpm)
- Regeneration: -Manual - Chronometric: 7 or 12 days - Volumetric: delayed or immediate - Electronics
- Complete with European Transformer 230-24 V / 50/60 Hz 60 VA and 2 " - Kit 8 upper screen.
- NOTE:For electronic models, the meter is not included, to order separately. For the filter valves, the DLFC is not included, to order separately.
- For NXT multi valve systems, please order (quantity = n-1 valves) the cable kit NXT (ref.FVABU41692) separately;
- OPTIONS: NBP piston - Manual filter - Electronic SXT - NXT - Mechanical timers for simplex and duplex - Hot water - mechanical only 65° C volumetric or 82° C chronometric.

| Ref         | Description   | Fam. | Subfam. | Disp. Stock |  |
|-------------|---|------|---------|-------------|--|
| FV285MC-600 | FLECK VALV. 2850 FILTER 12 DAYS                     | 23   | 535     |             |  |
| FV285MC-601 | FLECK VALV. 2850 FILTER 12 DAYS NBP                 | 23   | 535     |             |  |
| FV285MC-602 | FLECK VALV. 2850/1650 12 DAYS 3-5-1                 | 23   | 535     |             |  |
| FV285MC-603 | FLECK VALV. 2850/1710 12 DAYS 3C-7-1,2              | 23   | 535     |             |  |
| FV285MC-604 | FLECK VALV. 2850/1710 12 DAYS 4C-10-2               | 23   | 535     |             |  |
| FV285MC-605 | FLECK VALV. 2850/1710 12 DAYS 4C-10-2 NBP           | 23   | 535     |             |  |
| FV285MC-606 | FLECK VALV. 2850/1710 12 DAYS 4C-15-2               | 23   | 535     |             |  |
| FV285MR-600 | FLECK VALV. 2850/1650 1.5" METER 40 M3 3-5-1        | 23   | 535     |             |  |
| FV285MR-601 | FLECK VALV. 2850/1710 1.5" METER 200 M3 4C-10-2     | 23   | 535     |             |  |
| FV285MR-602 | FLECK VALV. 2850/1710 1.5" METER 200 M3 4C-10-2 NBP | 23   | 535     |             |  |
| FV285XM-600 | FLECK VALV. 2850 FILTER MANUAL NBP                  | 23   | 535     |             |  |
| FV285XC-600 | FLECK VALV. 2850/1710 NOTIMER MSWIRED 4C-10-2       | 23   | 535     |             |  |
| FV285XC-601 | FLECK VALV. 2850/1710 NOTIMER MSWIRED 4C-10-2 NBP   | 23   | 535     |             |  |
| FV285SC-600 | FLECK VALV. 2850 FILTER SXT                         | 23   | 535     |             |  |

| Characteristics                 |   |
|---------------------------------|---|
| Tank size (recommended):        | Softening System = 10" ÷ 30" Filter = 10" ÷ 24" |
| In/Out Connections              | Threaded 1,5" BSP F                             |
| Pressure vessel connection      | Threaded 4" - 8 UN male                         |
| Drain line connection           | Threaded 1" NPT or BSP                          |
| Brine line connection (1650)    | Threaded 3/8"                                   |
| Brine line connection (1710)    | Threaded 1/2"                                   |
| Distributor tube O. D. diameter | 3/4 pollice NPT                                 |
| Operating pressure              | 50 mm   |
| Water Temperature               | 1 ÷ 40 °C                                       |
| Protection class                | IP22  |
| Height (from top of tank)       | 165 mm  |

| Box: WxLxH | Box: Q.ty | Box: Weight | Pallet: WxLxH | Pallet: Q.ty | Pallet: Weight |
|------------|-----------|-------------|---------------|--------------|----------------|
|            | 1         |             |               |              |                |

| Certificates       | Manufacturer | Sectors                |
|--------------------|--------------|------------------------|
| DM174-2004 CE, EAC | Pentair      | Commercial, Industrial |



## Fleck Industrial Valves Series 2850

| Ref         | Description                           | Fam. | Subfam. | Disp. Stock |  |
|-------------|---------------------------------------|------|---------|-------------|--|
| FV285SC-601 | FLECK VALV. 2850 FILTER SXT NBP       | 23   | 535     |             |  |
| FV285SC-602 | FLECK VALV. 2850/1650 SXT 3-5-1       | 23   | 535     |             |  |
| FV285SC-603 | FLECK VALV. 2850/1650 SXT 3-5-1 NBP   | 23   | 535     |             |  |
| FV285SC-604 | FLECK VALV. 2850/1710 SXT 3C-7-1,2    | 23   | 535     |             |  |
| FV285SC-605 | FLECK VALV. 2850/1710 SXT 4C-10-2     | 23   | 535     |             |  |
| FV285SC-606 | FLECK VALV. 2850/1710 SXT 4C-10-2 NBP | 23   | 535     |             |  |
| FV285SC-607 | FLECK VALV. 2850/1710 SXT 4C-15-2     | 23   | 535     |             |  |
| FV285SC-608 | FLECK VALV. 2850/1710 SXT 5C-25-4 NBP | 23   | 535     |             |  |
| FV285NC-600 | FLECK VALV. 2850 FILTER NXT           | 23   | 535     |             |  |
| FV285NC-601 | FLECK VALV. 2850 FILTER NXT NBP       | 23   | 535     |             |  |
| FV285NC-602 | FLECK VALV. 2850/1650 NXT NBP 3-5-1   | 23   | 535     |             |  |
| FV285NC-603 | FLECK VALV. 2850/1710 NXT NBP 4C-10-2 | 23   | 535     |             |  |
| FV285NC-604 | FLECK VALV. 2850/1710 NXT NBP 4C-15-2 | 23   | 535     |             |  |
| FV285NC-605 | FLECK VALV. 2850/1710 NXT NBP 5C-25-4 | 23   | 535     |             |  |
| FV285NC-606 | FLECK VALV. 2850/1650 NXT 3-5-1       | 23   | 535     |             |  |
| FV285NC-607 | FLECK VALV. 2850/1710 NXT 4C-10-2     | 23   | 535     |             |  |
| FV285NC-608 | FLECK VALV. 2850/1710 NXT 4C-15-2     | 23   | 535     |             |  |
| FV285NC-609 | FLECK VALV. 2850/1710 NXT 5C-25-4     | 23   | 535     |             |  |

| Box: WxLxH | Box: Q.ty | Box: Weight | Pallet: WxLxH | Pallet: Q.ty | Pallet: Weight |
|------------|-----------|-------------|---------------|--------------|----------------|
|            |           |             |               |              |                |

| Certificates       | Manufacturer | Sectors                |
|--------------------|--------------|------------------------|
| DM174-2004 CE, EAC | Pentair      | Commercial, Industrial |

### Accessories

| Ref           | Description   | Fam. | Subfam. | Disp. Stock |  |
|---------------|---|------|---------|-------------|--|
| FVA13640      | DOLE 30 GPM 2850/2910                                       | 23   | 590     |             |  |
| FVA25171-1.2  | DLFC 1" NPT - 3/4" BSP ASSY 1.2 GPM 2850/2910/9500          | 23   | 590     |             |  |
| FVA25171-1.5  | DLFC 1" NPT - 3/4" BSP ASSY 1.5 GPM 2850/2910/9500          | 23   | 590     |             |  |
| FVA25171-2    | DLFC 1" NPT - 3/4" BSP ASSY 2 GPM 2850/2910/9500            | 23   | 590     |             |  |
| FVA25171-2.4  | DLFC 1" NPT - 3/4" BSP ASSY 2.4 GPM 2850/2910/9500          | 23   | 590     |             |  |
| FVA25171-3    | DLFC 1" NPT - 3/4" BSP ASSY 3 GPM 2850/2910/9500            | 23   | 590     |             |  |
| FVA25171-4    | DLFC 1" NPT - 3/4" BSP ASSY 4 GPM 2850/2910/9500            | 23   | 590     |             |  |
| FVA25171-5    | DLFC 1" NPT - 3/4" BSP ASSY 5 GPM 2850/2910/9500            | 23   | 590     |             |  |
| FVA25171-7    | DLFC 1" NPT - 3/4" BSP ASSY 7 GPM 2850/2910/9500            | 23   | 590     |             |  |
| FVA25581-8    | DLFC 1" NPT - 3/4" BSP ASSY 8 GPM 2850/2910/9500            | 23   | 590     |             |  |
| FVA25581-9    | DLFC 1" NPT - 3/4" BSP ASSY 9 GPM 2850/2910/9500            | 23   | 590     |             |  |
| FVA25581-ALL  | KIT DLFC 1" 2850/2910/9500 10 TO 25 GPM                     | 23   | 590     |             |  |
| FVA29097      | KIT METER SS ASSY 1,5" NT/NXT                               | 23   | 590     |             |  |
| FVA29098      | KIT METER SS ASSY 2" NT/NXT                                 | 23   | 590     |             |  |
| FVA29111-3045 | KIT DLFC 2" BSP W/REDUCER 2" TO 1" 30 TO 45 GPM 2850 FILTER | 23   | 590     |             |  |
| FVABU41692    | CABLE KIT NXT   | 23   | 590     |             |  |



## Fleck Industrial Valves Series 2910



- Made in European Union (Italy).
- The 2910 control valve is suitable for industrial and multivalve systems, for filtration or softening applications.
- Valve body in brass.
- It is a valve characterized by superior strength with improved 2 piston-system technology to drive independent flows of service and regeneration, with a cover non-corrosive, water and UV resistant.
- Down/Up Flow regeneration, according to the models.
- Operating Flow Rate = 24 m<sup>3</sup>/h (105 gpm)
- Backwash Flow Rate = 8 m<sup>3</sup>/h (35 gpm)
- Regeneration: - Chronometric: 7 or 12 days - Volumetric: delayed or immediate - Electronics
- Complete with European Transformer 230-24 V / 50/60 Hz 60 VA and 2" - Kit 8 upper screen.
- NOTE: For electronic models, the meter is not included, to order separately. For the filter valves, the DLFC is not included, to order separately.
- For NXT multi valve systems, please order (quantity = n-1 valves) the cable kit NXT (ref.FVABU41692) separately;
- OPTIONS: NBP piston - Filter; Electronic SXT - NXT - Mechanical controllers for simplex and duplex - Hot water - mechanical only 65° C volumetric or 82° C chronometric.

| Ref         | Description                                    | Fam. | Subfam. | Disp. Stock |  |
|-------------|--|------|---------|-------------|--|
| FV291MD-605 | FLECK VAL. 2910/1710 DUPLEX B #7 NBP 4C-15-2   | 23   | 540     |             |  |
| FV291MD-606 | FLECK VAL. 2910/1710 DUPLEX A #7 NBP 5C-25-4   | 23   | 540     |             |  |
| FV291MD-607 | FLECK VAL. 2910/1710 DUPLEX B #7 NBP 5C-25-4   | 23   | 540     |             |  |
| FV291MD-608 | FLECK VAL. 2910/1710 DUPLEX A #7 NBP 6C-30-4   | 23   | 540     |             |  |
| FV291MD-609 | FLECK VAL. 2910/1710 DUPLEX B #7 NBP 6C-30-4   | 23   | 540     |             |  |
| FV291MC-601 | FLECK VALV. 2910/1650 12 DAYS DF 3-5-1         | 23   | 540     |             |  |
| FV291MC-602 | FLECK VALV. 2910/1710 12 DAYS DF 3C-7-1,2      | 23   | 540     |             |  |
| FV291MC-603 | FLECK VALV. 2910/1710 12 DAYS DF 3C-10-2       | 23   | 540     |             |  |
| FV291MC-604 | FLECK VALV. 2910/1710 12 DAYS DF 4C-15-2       | 23   | 540     |             |  |
| FV291MC-605 | FLECK VALV. 2910/1710 12 DAYS DF 6C-25-4       | 23   | 540     |             |  |
| FV291MC-606 | FLECK VALV. 2910/1710 12 DAYS DF 4C-15-2 NBP   | 23   | 540     |             |  |
| FV291MR-600 | FLECK VALV. 2910/1650 2" METER 75 M3 3-5-1     | 23   | 540     |             |  |
| FV291MR-601 | FLECK VALV. 2910/1710 2" METER 375 M3 3C-7-1,2 | 23   | 540     |             |  |
| FV291MR-602 | FLECK VALV. 2910/1710 2" METER 75 M3 3C-7-1,2  | 23   | 540     |             |  |
| FV291SC-600 | FLECK VALV. 2910/1650 SXT 3-5-1                | 23   | 540     |             |  |
| FV291SC-601 | FLECK VALV. 2910/1710 SXT 3C-7-1,2             | 23   | 540     |             |  |
| FV291SC-602 | FLECK VALV. 2910/1710 SXT 4C-10-2              | 23   | 540     |             |  |
| FV291SC-603 | FLECK VALV. 2910/1710 SXT 4C-15-2              | 23   | 540     |             |  |
| FV291SC-604 | FLECK VALV. 2910/1710 SXT 5C-25-4              | 23   | 540     |             |  |
| FV291NC-600 | FLECK VALV. 2910/1650 NXT 3-7-1 NBP            | 23   | 540     |             |  |

| Characteristics                 |   |
|---------------------------------|---|
| Tank size (recommended):        | Softening System = 14" ÷ 36" Filter = 14" ÷ 24" |
| In/Out Connections              | Threaded 2" BSP F                               |
| Pressure vessel connection      | Threaded 4" - 8 UN male                         |
| Drain line connection           | Threaded 1" NPT or BSP                          |
| Brine line connection (1650)    | Threaded 3/8"                                   |
| Brine line connection (1710)    | Threaded 1/2"                                   |
| Distributor tube O. D. diameter | 50 mm   |
| Operating pressure              | 1,8 ÷ 8,5 bar                                   |
| Water Temperature               | 1 ÷ 40 °C                                       |
| Protection class                | IP22  |
| Height (from top of tank)       | 305 mm  |



| Ref         | Description                                      | Fam. | Subfam. | Disp. Stock |  |
|-------------|--|------|---------|-------------|--|
| FV291NC-601 | FLECK VALV. 2910/1710 NXT 3C-10-2 NBP            | 23   | 540     |             |  |
| FV291NC-602 | FLECK VALV. 2910/1710 NXT 4C-10-2 NBP            | 23   | 540     |             |  |
| FV291NC-603 | FLECK VALV. 2910/1710 NXT 4C-15-2 NBP            | 23   | 540     |             |  |
| FV291NC-604 | FLECK VALV. 2910/1710 NXT 6C-25-4                | 23   | 540     |             |  |
| FV291NC-605 | FLECK VALV. 2910/1710 NXT 6C-25-4 NBP            | 23   | 540     |             |  |
| FV291NC-606 | FLECK VALV. 2910/1710 NXT 7C-30-7 NBP            | 23   | 540     |             |  |
| FV291NC-607 | FLECK VALV. 2910/1710 NXT 4C-15-2 HW             | 23   | 540     |             |  |
| FV291NC-608 | FLECK VALV. 2910/1710 NXT 4C-15-2 HW NBP         | 23   | 540     |             |  |
| FV291NC-609 | FLECK VALV. 2910/1710 NXT UF 4C-15-2             | 23   | 540     |             |  |
| FV291NC-610 | FLECK VALV. 2910/1710 NXT UF 4C-15-2 NBP         | 23   | 540     |             |  |
| FV291XC-600 | FLECK VALV. 2910/1650 NOTIMER 3-5-1 NBP          | 23   | 540     |             |  |
| FV291XC-601 | FLECK VALV. 2910/1650 NOTIMER 3-7-1 NBP          | 23   | 540     |             |  |
| FV291XC-602 | FLECK VALV. 2910/1710 NOTIMER 4C-10-2 NBP        | 23   | 540     |             |  |
| FV291XC-603 | FLECK VALV. 2910/1710 NOTIMER 5C-15-2 NBP        | 23   | 540     |             |  |
| FV291XC-604 | FLECK VALV. 2910/1710 NOTIMER 5C-25-4 NBP        | 23   | 540     |             |  |
| FV291XC-605 | FLECK VALV. 2910/1710 NOTIMER 7C-30-7 NBP        | 23   | 540     |             |  |
| FV291XC-606 | FLECK VALV. 2910/1710 NOTIMER NOPLUG 4C-15-2 NBP | 23   | 540     |             |  |
| FV291XC-607 | FLECK VALV. 2910/1710 NOTIMER NOPLUG 5C-25-2 NBP | 23   | 540     |             |  |
| FV291XP-600 | FLECK VALV. 2910/1700 NOTIMER NOPLUG 6C-25-4-HW  | 23   | 540     |             |  |

| Box: WxLxH | Box: Q.ty | Box: Weight | Pallet: WxLxH | Pallet: Q.ty | Pallet: Weight |
|------------|-----------|-------------|---------------|--------------|----------------|
|            |           |             |               |              |                |

| Certificates       | Manufacturer | Sectors    |
|--------------------|--------------|------------|
| DM174-2004 CE, EAC | Pentair      | Industrial |

### Accessories

| Ref          | Description  | Fam. | Subfam. | Disp. Stock |  |
|--------------|--|------|---------|-------------|--|
| FVA13640     | DOLE 30 GPM 2850/2910                              | 23   | 590     |             |  |
| FVA25171-1.2 | DLFC 1" NPT - 3/4" BSP ASSY 1.2 GPM 2850/2910/9500 | 23   | 590     |             |  |
| FVA25171-1.5 | DLFC 1" NPT - 3/4" BSP ASSY 1.5 GPM 2850/2910/9500 | 23   | 590     |             |  |
| FVA25171-2   | DLFC 1" NPT - 3/4" BSP ASSY 2 GPM 2850/2910/9500   | 23   | 590     |             |  |
| FVA25171-2.4 | DLFC 1" NPT - 3/4" BSP ASSY 2.4 GPM 2850/2910/9500 | 23   | 590     |             |  |
| FVA25171-3   | DLFC 1" NPT - 3/4" BSP ASSY 3 GPM 2850/2910/9500   | 23   | 590     |             |  |
| FVA25171-4   | DLFC 1" NPT - 3/4" BSP ASSY 4 GPM 2850/2910/9500   | 23   | 590     |             |  |
| FVA25171-5   | DLFC 1" NPT - 3/4" BSP ASSY 5 GPM 2850/2910/9500   | 23   | 590     |             |  |
| FVA25171-7   | DLFC 1" NPT - 3/4" BSP ASSY 7 GPM 2850/2910/9500   | 23   | 590     |             |  |
| FVA25581-10  | DLFC 1" NPT - 3/4" BSP ASSY 10 GPM 2850/2910/9500  | 23   | 590     |             |  |
| FVA25581-12  | DLFC 1" NPT - 3/4" BSP ASSY 12 GPM 2850/2910/9500  | 23   | 590     |             |  |
| FVA25581-15  | DLFC 1" NPT - 3/4" BSP ASSY 15 GPM 2850/2910/9500  | 23   | 590     |             |  |
| FVA25581-20  | DLFC 1" NPT - 3/4" BSP ASSY 20 GPM 2850/2910/9500  | 23   | 590     |             |  |
| FVA25581-25  | DLFC 1" NPT - 3/4" BSP ASSY 25 GPM 2850/2910/9500  | 23   | 590     |             |  |
| FVA25581-8   | DLFC 1" NPT - 3/4" BSP ASSY 8 GPM 2850/2910/9500   | 23   | 590     |             |  |
| FVA25581-9   | DLFC 1" NPT - 3/4" BSP ASSY 9 GPM 2850/2910/9500   | 23   | 590     |             |  |
| FVA25581-ALL | KIT DLFC 1" 2850/2910/9500 10 TO 25 GPM            | 23   | 590     |             |  |
| FVA29097     | KIT METER SS ASSY 1,5" NT/NXT                      | 23   | 590     |             |  |
| FVA29098     | KIT METER SS ASSY 2" NT/NXT                        | 23   | 590     |             |  |
| FVA28295     | KIT METER ELECTRONIC 2" PLASTIC 2910/3150          | 23   | 590     |             |  |
| FVABU41692   | CABLE KIT NXT                                      | 23   | 590     |             |  |





## Fleck Industrial Valves Series 3150

- Made in European Union (Italy)
- The 3150 is a fully adjustable 3- or 5-cycle control valve for an efficient and reliable water treatment, suitable for industrial filtration and softening applications. Valve body in brass.
- It is a valve characterized by considerable strength, with a cover non-corrosive, water and UV resistant.
- Down Flow regeneration
- Operating Flow Rate = 22 m<sup>3</sup>/h (97 gpm)
- Backwash Flow Rate = 24 m<sup>3</sup>/h (105 gpm)
- Regeneration:
  - - Chronometric: 7 or 12 days
  - - Volumetric: delayed or immediate
  - - Electronics
- Complete with European Transformer 230-24 V / 50/60 Hz 60 VA and 2 "- Kit 8 upper screen.
- NOTE: Adapter for top or side mount is not included, to be ordered separately. For electronic models, the meter is not included, to order separately. For the filter valves, the DLFC is not included, to order separately.
- For NXT multi valve systems, please order (quantity = n-1 valves) the cable kit NXT (ref.FVABU41692) separately;
- OPTIONS:
  - NBP piston
  - Filter;
  - Electronic NXT
  - Mechanical controllers for simplex and duplex
  - Hot water - mechanical only 65° C volumetric or 82° C chronometric.

| Ref         | Description                          | Fam. | Subfam. | Disp. Stock |  |
|-------------|--------------------------------------|------|---------|-------------|--|
| FV315MC-600 | FLECK VALV. 3150 FILTER 12 DAYS      | 23   | 545     |             |  |
| FV315MC-601 | FLECK VALV. 3150 FILTER 12 DAYS NBP  | 23   | 545     |             |  |
| FV315NC-600 | FLECK VALV. 3150 FILTER NXT          | 23   | 545     |             |  |
| FV315NC-601 | FLECK VALV. 3150 FILTER NXT NBP      | 23   | 545     |             |  |
| FV315NC-602 | FLECK VALV. 3150 FILTER NXT NBP HW   | 23   | 545     |             |  |
| FV315NC-603 | FLECK VALV. 3150/1800 NXT 4-20-5     | 23   | 545     |             |  |
| FV315NC-604 | FLECK VALV. 3150/1800 NXT 4-20-5 NBP | 23   | 545     |             |  |
| FV315NC-605 | FLECK VALV. 3150/1800 NXT 5-25-5     | 23   | 545     |             |  |
| FV315NC-606 | FLECK VALV. 3150/1800 NXT 5-25-5 NBP | 23   | 545     |             |  |
| FV315NC-607 | FLECK VALV. 3150/1800 NXT 6-35-5     | 23   | 545     |             |  |

| Characteristics                 |   |
|---------------------------------|---|
| Tank size (recommended):        | Softening System = 24" ÷ 42" (Side mount filter 63") Filter = 24" ÷ 42" |
| In/Out Connections              | Threaded 2" BSP   |
| Pressure vessel connection      | Threaded 4" - 8 UN male   |
| Drain line connection           | Threaded 2" NPT or BSP  |
| Brine line connection (1800)    | Threaded 1" NPT   |
| Distributor tube O. D. diameter | 63 mm   |
| Operating pressure              | 1,8 ÷ 8,5 bar   |
| Water Temperature               | 1 ÷ 40 °C   |
| Protection class                | IP22  |
| Height (from top of tank)       | 254 mm  |

| Box: WxLxH | Box: Q.ty | Box: Weight | Pallet: WxLxH | Pallet: Q.ty | Pallet: Weight |
|------------|-----------|-------------|---------------|--------------|----------------|
|            |           |             |               |              |                |

| Certificates       | Manufacturer | Sectors    |
|--------------------|--------------|------------|
| DM174-2004 CE, EAC | Pentair      | Industrial |



## Fleck Industrial Valves Series 3150

| Ref         | Description                                      | Fam. | Subfam. | Disp. Stock |  |
|-------------|--|------|---------|-------------|--|
| FV315NC-608 | FLECK VALV. 3150/1800 NXT 6-35-5 NBP             | 23   | 545     |             |  |
| FV315NC-609 | FLECK VALV. 3150/1800 NXT 7-50-10                | 23   | 545     |             |  |
| FV315NC-610 | FLECK VALV. 3150/1800 NXT 7-50-10 NBP            | 23   | 545     |             |  |
| FV315NC-611 | FLECK VALV. 3150/1800 NXT 8-70-10                | 23   | 545     |             |  |
| FV315NC-612 | FLECK VALV. 3150/1800 NXT 8-70-10 NBP            | 23   | 545     |             |  |
| FV315NC-613 | FLECK VALV. 3150/1800 NXT 9-80-10                | 23   | 545     |             |  |
| FV315NC-614 | FLECK VALV. 3150/1800 NXT 9-80-10 NBP            | 23   | 545     |             |  |
| FV315NC-615 | FLECK VALV. 3150/1800 NXT 10-100-10              | 23   | 545     |             |  |
| FV315NC-616 | FLECK VALV. 3150/1800 NXT 10-100-10 NBP          | 23   | 545     |             |  |
| FV315XC-600 | FLECK VALV. 3150/1800 NOTIMER MSWIRED 4-20-5     | 23   | 545     |             |  |
| FV315XC-601 | FLECK VALV. 3150/1800 NOTIMER NOPLUG7-50-10 HW   | 23   | 545     |             |  |
| FV315XC-602 | FLECK VALV. 3150/1800 NOTIMER MSWIRED 4-20-5 NBP | 23   | 545     |             |  |

| Box: WxLxH | Box: Q.ty | Box: Weight | Pallet: WxLxH | Pallet: Q.ty | Pallet: Weight |
|------------|-----------|-------------|---------------|--------------|----------------|
|            |           |             |               |              |                |

| Certificates       | Manufacturer | Sectors    |
|--------------------|--------------|------------|
| DM174-2004 CE, EAC | Pentair      | Industrial |

### Accessories

| Ref          | Description                                   | Fam. | Subfam. | Disp. Stock |  |
|--------------|---|------|---------|-------------|--|
| FVA18023     | TANK DAPT ASSY 3150 SM                        | 23   | 590     |             |  |
| FVA18024     | TANK ADAPT ASSY 3150 TM                       | 23   | 590     |             |  |
| FVA25580-100 | DLFC 2" BSP- 2" BSP ASSY 100 GPM 3150/3900    | 23   | 590     |             |  |
| FVA25580-20  | DLFC 2" BSP- 2" BSP ASSY 20 GPM 3150/3900     | 23   | 590     |             |  |
| FVA25580-25  | DLFC 2" BSP- 2" BSP ASSY 25 GPM 3150/3900     | 23   | 590     |             |  |
| FVA25580-35  | DLFC 2" BSP- 2" BSP ASSY 35 GPM 3150/3900     | 23   | 590     |             |  |
| FVA25580-40  | DLFC 2" BSP- 2" BSP ASSY 40 GPM 3150/3900     | 23   | 590     |             |  |
| FVA25580-45  | DLFC 2" BSP- 2" BSP ASSY 45 GPM 3150/3900     | 23   | 590     |             |  |
| FVA25580-50  | DLFC 2" BSP- 2" BSP ASSY 50 GPM 3150/3900     | 23   | 590     |             |  |
| FVA25580-55  | DLFC 2" BSP- 2" BSP ASSY 55 GPM 3150/3900     | 23   | 590     |             |  |
| FVA25580-60  | DLFC 2" BSP- 2" BSP ASSY 60 GPM 3150/3900     | 23   | 590     |             |  |
| FVA25580-65  | DLFC 2" BSP- 2" BSP ASSY 65 GPM 3150/3900     | 23   | 590     |             |  |
| FVA25580-70  | DLFC 2" BSP- 2" BSP ASSY 70 GPM 3150/3900     | 23   | 590     |             |  |
| FVA25580-75  | DLFC 2" BSP- 2" BSP ASSY 75 GPM 3150/3900     | 23   | 590     |             |  |
| FVA25580-80  | DLFC 2" BSP- 2" BSP ASSY 80 GPM 3150/3900     | 23   | 590     |             |  |
| FVA25580-85  | DLFC 2" BSP- 2" BSP ASSY 85 GPM 3150/3900     | 23   | 590     |             |  |
| FVA25580-90  | DLFC 2" BSP- 2" BSP ASSY 90 GPM 3150/3900     | 23   | 590     |             |  |
| FVA25580-95  | DLFC 2" BSP- 2" BSP ASSY 95 GPM 3150/3900     | 23   | 590     |             |  |
| FVA25580-ALL | DLFC KIT 2" 3150/3900 30 TO 100 GPM 3150/3900 | 23   | 590     |             |  |
| FVA29098     | KIT METER SS ASSY 2" NT/NXT                   | 23   | 590     |             |  |
| FVA28295     | KIT METER ELECTRONIC 2" PLASTIC 2910/3150     | 23   | 590     |             |  |
| FVABU41692   | CABLE KIT NXT                                 | 23   | 590     |             |  |



## Fleck Industrial Valves Series 3900



- Made in European Union (Italy)
- The 3900 is a fully adjustable 3- or 5-cycle control valve for an efficient and reliable water treatment, suitable for industrial and multivalve systems, for filtration and softening applications.
- Valve body in brass.
- It is a valve characterized by considerable strength, with a cover non-corrosive, water and UV resistant.
- Down/Up Flow regeneration, according to the models.
- Operating Flow Rate = 57 m<sup>3</sup>/h (250 gpm)
- Backwash Flow Rate = 24 m<sup>3</sup>/h (105 gpm)
- Regeneration: Chronometric: 7 or 12 days - Electronics
- Complete with European Transformer 230-24 V / 50/60 Hz 60 VA
- NOTE: Upper screen is not included, to be ordered separately.
- Adapter for top or side mount is not included, to be ordered separately. For the filter valves, the DLFC is not included, to order separately.
- For NXT multi valve systems, please order (quantity = n-1 valves) the cable kit NXT (ref.FVABU41692) separately;
- OPTIONS: NBP piston - Filter - NXT electronics
- Mechanical controllers for simplex and duplex
- Hot water - mechanical only 65° C volumetric or 82° C chronometric.

| Ref         | Description                                  | Fam. | Subfam. | Disp. Stock |  |
|-------------|--|------|---------|-------------|--|
| FV390NC-600 | FLECK VALV. 3900 FILTER NXT                  | 23   | 550     |             |  |
| FV390NC-601 | FLECK VALV. 3900 FILTER NXT NBP              | 23   | 550     |             |  |
| FV390MC-600 | FLECK VALV. 3900/1800 12 DAYS NBP 6-35-5     | 23   | 550     |             |  |
| FV390MC-601 | FLECK VALV. 3900/1800 12 DAYS NBP 7-50-10    | 23   | 550     |             |  |
| FV390MC-602 | FLECK VALV. 3900/1800 12 DAYS 10-100-10      | 23   | 550     |             |  |
| FV390MC-603 | FLECK VALV. 3900/1800 12 DAYS UF NBP 7-50-10 | 23   | 550     |             |  |
| FV390NC-602 | FLECK VALV. 3900/1800 NXT 6-35-5             | 23   | 550     |             |  |
| FV390NC-603 | FLECK VALV. 3900/1800 NXT 7-50-10            | 23   | 550     |             |  |
| FV390NC-604 | FLECK VALV. 3900/1800 NXT 8-70-10            | 23   | 550     |             |  |
| FV390NC-605 | FLECK VALV. 3900/1800 NXT NBP 5-25-5         | 23   | 550     |             |  |
| FV390NC-606 | FLECK VALV. 3900/1800 NXT NBP 6-35-5         | 23   | 550     |             |  |
| FV390NC-607 | FLECK VALV. 3900/1800 NXT NBP 7-50-10        | 23   | 550     |             |  |

| Characteristics                 |  |
|---------------------------------|--|
| Tank size (recommended):        | Softening System = 30" ÷ 42" (30" ÷ 63" side mount) Filter = 24" ÷ 42" |
| In/Out Connections              | Threaded 3" BSP  |
| Pressure vessel connection      | Threaded 6" or Side mount  |
| Drain line connection           | Threaded 2" NPT or BSP   |
| Brine line connection (1800)    | Threaded 1" NPT  |
| Distributor tube O. D. diameter | 90 mm  |
| Operating pressure              | 1,8 ÷ 8,5 bar  |
| Water Temperature               | 1 ÷ 40 °C  |
| Protection class                | IP22   |
| Height (from top of tank)       | 381 mm   |

| Box: WxLxH | Box: Q.ty | Box: Weight | Pallet: WxLxH | Pallet: Q.ty | Pallet: Weight |
|------------|-----------|-------------|---------------|--------------|----------------|
|            |           |             |               |              |                |

| Certificates       | Manufacturer | Sectors    |
|--------------------|--------------|------------|
| DM174-2004 CE, EAC | Pentair      | Industrial |



| Ref         | Description                                      | Fam. | Subfam. | Disp. Stock |  |
|-------------|--|------|---------|-------------|--|
| FV390NC-608 | FLECK VALV. 3900/1800 NXT NBP 8-70-10            | 23   | 550     |             |  |
| FV390NC-609 | FLECK VALV. 3900/1800 NXT NBP 9-80-10            | 23   | 550     |             |  |
| FV390NC-610 | FLECK VALV. 3900/1800 NXT NBP 10-100-10          | 23   | 550     |             |  |
| FV390XC-600 | FLECK VALV. 3900/1800 NOTIMER NBP 5-25-5         | 23   | 550     |             |  |
| FV390XC-601 | FLECK VALV. 3900/1800 NOTIMER NOPLUG NBP 6-35-5  | 23   | 550     |             |  |
| FV390XC-602 | FLECK VALV. 3900/1800 NOTIMER NBP 7-50-10        | 23   | 550     |             |  |
| FV390XC-603 | FLECK VALV. 3900/1800 NOTIMER NOPLUG NBP 7-50-10 | 23   | 550     |             |  |
| FV390XC-604 | FLECK VALV. 3900/1800 NOTIMER NOPLUG NBP 7-60-10 | 23   | 550     |             |  |
| FV390XC-605 | FLECK VALV. 3900/1800 NOTIMER NOPLUG NBP 8-70-10 | 23   | 550     |             |  |
| FV390XC-606 | FLECK VALV. 3900/1800 NOTIMER NBP 10-100-10      | 23   | 550     |             |  |

| Box: WxLxH | Box: Q.ty | Box: Weight | Pallet: WxLxH | Pallet: Q.ty | Pallet: Weight |
|------------|-----------|-------------|---------------|--------------|----------------|
|            |           |             |               |              |                |

| Certificates       | Manufacturer | Sectors    |
|--------------------|--------------|------------|
| DM174-2004 CE, EAC | Pentair      | Industrial |

### Accessories

| Ref          | Description                                   | Fam. | Subfam. | Disp. Stock |  |
|--------------|---|------|---------|-------------|--|
| FVA16258     | FLOW DISPERSER 3" 3900                        | 23   | 590     |             |  |
| FVA18925     | TANK ADAPT ASSY 3900 TM FLANGED 6"            | 23   | 590     |             |  |
| FVA18926     | TANK ADAPT ASSY 3900 SM                       | 23   | 590     |             |  |
| FVA25580-100 | DLFC 2" BSP- 2" BSP ASSY 100 GPM 3150/3900    | 23   | 590     |             |  |
| FVA25580-20  | DLFC 2" BSP- 2" BSP ASSY 20 GPM 3150/3900     | 23   | 590     |             |  |
| FVA25580-25  | DLFC 2" BSP- 2" BSP ASSY 25 GPM 3150/3900     | 23   | 590     |             |  |
| FVA25580-30  | DLFC 2" BSP- 2" BSP ASSY 30 GPM 3150/3900     | 23   | 590     |             |  |
| FVA25580-35  | DLFC 2" BSP- 2" BSP ASSY 35 GPM 3150/3900     | 23   | 590     |             |  |
| FVA25580-40  | DLFC 2" BSP- 2" BSP ASSY 40 GPM 3150/3900     | 23   | 590     |             |  |
| FVA25580-45  | DLFC 2" BSP- 2" BSP ASSY 45 GPM 3150/3900     | 23   | 590     |             |  |
| FVA25580-50  | DLFC 2" BSP- 2" BSP ASSY 50 GPM 3150/3900     | 23   | 590     |             |  |
| FVA25580-55  | DLFC 2" BSP- 2" BSP ASSY 55 GPM 3150/3900     | 23   | 590     |             |  |
| FVA25580-60  | DLFC 2" BSP- 2" BSP ASSY 60 GPM 3150/3900     | 23   | 590     |             |  |
| FVA25580-65  | DLFC 2" BSP- 2" BSP ASSY 65 GPM 3150/3900     | 23   | 590     |             |  |
| FVA25580-70  | DLFC 2" BSP- 2" BSP ASSY 70 GPM 3150/3900     | 23   | 590     |             |  |
| FVA25580-75  | DLFC 2" BSP- 2" BSP ASSY 75 GPM 3150/3900     | 23   | 590     |             |  |
| FVA25580-80  | DLFC 2" BSP- 2" BSP ASSY 80 GPM 3150/3900     | 23   | 590     |             |  |
| FVA25580-85  | DLFC 2" BSP- 2" BSP ASSY 85 GPM 3150/3900     | 23   | 590     |             |  |
| FVA25580-90  | DLFC 2" BSP- 2" BSP ASSY 90 GPM 3150/3900     | 23   | 590     |             |  |
| FVA25580-95  | DLFC 2" BSP- 2" BSP ASSY 95 GPM 3150/3900     | 23   | 590     |             |  |
| FVA25580-ALL | DLFC KIT 2" 3150/3900 30 TO 100 GPM 3150/3900 | 23   | 590     |             |  |
| FVA29082     | KIT METER ASSY 3" SS NXT 3900                 | 23   | 590     |             |  |
| FVABU41692   | CABLE KIT NXT                                 | 23   | 590     |             |  |



## CLACK VALVE WS1TC

### CONTROL VALVE



- Top mount control valve suited for automatic residential water softening or filtration system
- Single valve, available also for twin alternating, twin parallel and multitank systems
- Transformer, Drain Line Flow Control (DLFC) washer, Top Distributor and accessories not included, to order separately
- More informative 4 digit LCD Display with Status Indicators
- Solid state microprocessor with easy access front panel settings
- Backwash and brining ability to 21" diameter tanks
- Front panel display for time of day, days until next regeneration
- Days between regeneration feature: 1-99 days standard; 7-day optional
- Double backwash feature offers optimum regeneration, cleaning ability and efficiency
- 10 selectable pre-programmed regeneration cycles
- Coin Cell Lithium battery back-up with a 8 hour carry over
- Auto detection of 50/60 Hz line frequency, with automatic 12/24 hour time keeping formats
- Level VI 15-volt output DC power supply provides safe and easy installation
- Post treated water regenerant refill
- Reliable and proven DC drive
- Certified to NSF/ANSI 44, 61 and 372

| Ref         | Description                         | Fam. | Subfam. | Disp. Stock |  |
|-------------|-------------------------------------|------|---------|-------------|--|
| V1TCDDT-03  | WS1TC VALVE DN T I-D                | 15   | 720     |             |  |
| V1TCDDT-M03 | WS1TC VALVE DN T I-D W/MIXING VALVE | 15   | 720     |             |  |
| V1TCDE-03   | WS1TC VALVE DN T I-E                | 15   | 720     |             |  |
| V1TCDE-M03  | WS1TC VALVE DN T I-E W/MIXING VALVE | 15   | 720     |             |  |
| V1TCDF-03   | WS1TC VALVE DN T I-F                | 15   | 720     |             |  |
| V1TCDF-M03  | WS1TC VALVE DN T I-F W/MIXING VALVE | 15   | 720     |             |  |
| V1TCBTZ-03  | WS1TC VALVE BW T I-Z                | 15   | 720     |             |  |

| Ref         | Softening System/Filter | Injector Tank Size | Downflow/Upflow | Meter        | Mixing Valve |
|-------------|-------------------------|--------------------|-----------------|--------------|--------------|
| V1TCDDT-03  | Softening System        | 9"                 | Downflow        | Not included | Not included |
| V1TCDDT-M03 | Softening System        | 9"                 | Downflow        | Not included | included     |
| V1TCDE-03   | Softening System        | 10"                | Downflow        | Not included | Not included |
| V1TCDE-M03  | Softening System        | 10"                | Downflow        | Not included | included     |
| V1TCDF-03   | Softening System        | 12"                | Downflow        | Not included | Not included |
| V1TCDF-M03  | Softening System        | 12"                | Downflow        | Not included | included     |
| V1TCBTZ-03  | Filter                  | N/A                | Backwash        | Not included | Not included |

• **NOTE:**Controls listed are priced without a power cord or transformer. For AC Adapter (Transformer) selection see "ACCESSORIES" section (V3186-XX). Drain Line Flow Controls (DLFC) washer is not included. Please order separately: reference order number V3162-007 through V3162-100. 1,05" Top Distributor is not included. Please order separately: reference order number AV071. Power Rechargeable Battery Pack Option: Control Valves listed can be used with a rechargeable battery pack and custom PC board. This battery pack can be recharged with the normal transformer for applications with a unstable power grid. Price Adder 118,43 euro. Sun Battery Pack Option: Control Valves listed can be used with a rechargeable battery pack and custom PC board. This battery pack can be recharged with a solar panel for applications with no electrical power. Price Adder 183,02 euro.

| Box: WxLxH | Box: Q.ty | Box: Weight | Pallet: WxLxH | Pallet: Q.ty | Pallet: Weight |
|------------|-----------|-------------|---------------|--------------|----------------|
|            | 4         |             |               | 160          |                |

| Certificates        | Manufacturer | Sectors  |
|---------------------|--------------|----------|
| DM174-2004, ACS, CE | Clack        | Domestic |



| SPECIFIC                                    |                      | FLOW RATES  |                        |
|---|----------------------|---|------------------------|
| Inlet/Outlet Fittings (to order separately) | ¾" to 1,25" male BST | Service $\Delta p$ 1 bar/15 psi drop (includes bypass)    | 6,12 m <sup>3</sup> /h |
| Cycles                                      | Up to 6              | Backwash $\Delta p$ 1,7 bar/25 psi drop (includes bypass) | 6,12 m <sup>3</sup> /h |
| Valve Material                              | Noryl or equivalent  | Cv Service  | 7,0                    |
| Regeneration                                | Downflow or Upflow   | Cv Backwash   | 5,4                    |

| OPERATING PRESSURES |               | OPERATING TEMPERATURES |            |
|---------------------|---------------|------------------------|------------|
| Minimum/Maximum     | 1,4 ÷ 8,6 bar | Minimum/Maximum        | 4° ÷ 43° C |

|                         |                       |
|-------------------------|-----------------------|
| Distributor Pilot       | 1,05"                 |
| Drain Line              | ¾" or 1" NPT          |
| Brine Line              | ¾" or ½" OD Poly Tube |
| Mounting Base           | 2 ½" - 8 NPSM         |
| Height From Top Of Tank | 187 mm                |
| Weight                  | 2 kg                  |

| ELECTRICAL SPECIFICATIONS |                    | TANK APPLICATIONS |                   |
|---------------------------|--------------------|-------------------|-------------------|
| Supply Voltage            | 200V AC to 240V AC | Water Softener    | 6" ÷ 21" diameter |
| Supply Frequency          | 50/60 Hz           | Water Filter      | 6" ÷ 21" diameter |
| Output Voltage            | 15VDC              |                   |                   |
| Output Current            | 500 mA             |                   |                   |

| CYCLES OF OPERATION (Softener Downflow)           |                 |
|---|-----------------|
| Backwash 1st (upflow)                             | 3 ÷ 12 minutes  |
| Regenerate Draw/Slow Rinse (downflow)             | 50 ÷ 70 minutes |
| Backwash 2nd (upflow)                             | 3 ÷ 12 minutes  |
| Fast Rinse (downflow)                             | 3 ÷ 8 minutes   |
| Regenerant Refill (in service with treated water) | As Programmed   |
| Service (downflow)                                |                 |

Options: Backwash Filter, Bypass, Weather Cover

Compatible with the following typical concentration of regenerants or chemicals: Sodium chloride, potassium chloride, potassium permanganate, sodium bisulfite, chlorine and chloramines



## CLACK VALVE WS1EI

### CONTROLL VALVE



- Top mount control valve suited for automatic residential water softening or filtration system
- Single valve, available also for twin alternating, twin parallel and multitank systems
- Transformer, Drain Line Flow Control (DLFC) washer, Top Distributor and accessories not included, to order separately
- Solid state microprocessor with easy access front panel setting
- Front panel display for time of day, days until next regeneration, volume remaining, current flow rate and total volume used (Totalizer)
- Four methods to initiate regeneration; meter immediate, meter delayed, time clock delayed or pressure differential
- Optional double backwash feature offers optimum regeneration, cleaning ability and efficiency
- Fully adjustable cycle times with 6-cycle control delivers controlled backwash, downflow brining/slow rinse, second backwash, fast rinse, refill and downflow service
- Coin Cell Lithium battery back-up with an 8 hour carry over
- Level VI 15-volt output DC power supply provides safe and easy installation
- Control valve design provides optimum service and backwash rates
- Post treated water regenerant refill
- Reliable and proven DC drive
- Certified to NSF/ANSI 44, 61 and 372.

| Ref         | Description                         | Fam. | Subfam. | Disp. Stock |  |
|-------------|-------------------------------------|------|---------|-------------|--|
| V1EIDMC-03  | WS1EI VALVE DN M I-C                | 15   | 710     |             |  |
| V1EIDMC-M03 | WS1EI VALVE DN M I-C W/MIXING VALVE | 15   | 710     |             |  |
| V1EIDMD-03  | WS1EI VALVE DN M I-D                | 15   | 710     |             |  |
| V1EIDMD-M03 | WS1EI VALVE DN M I-D W/MIXING VALVE | 15   | 710     |             |  |
| V1EIDME-03  | WS1EI VALVE DN M I-E                | 15   | 710     |             |  |
| V1EIDME-M03 | WS1EI VALVE DN M I-E W/MIXING VALVE | 15   | 710     |             |  |
| V1EIDMF-03  | WS1EI VALVE DN M I-F                | 15   | 710     |             |  |
| V1EIDMF-M03 | WS1EI VALVE DN M I-F W/MIXING VALVE | 15   | 710     |             |  |
| V1EIUMA-03  | WS1EI VALVE UP M I-A                | 15   | 710     |             |  |
| V1EIUMA-M03 | WS1EI VALVE UP M I-A W/MIXING VALVE | 15   | 710     |             |  |
| V1EIUMB-03  | WS1EI VALVE UP M I-B                | 15   | 710     |             |  |
| V1EIUMB-M03 | WS1EI VALVE UP M I-B W/MIXING VALVE | 15   | 710     |             |  |
| V1EIUMC-03  | WS1EI VALVE UP M I-C                | 15   | 710     |             |  |
| V1EIUMC-M03 | WS1EI VALVE UP M I-C W/MIXING VALVE | 15   | 710     |             |  |
| V1EIDTE-03  | WS1EI VALVE DN T I-E                | 15   | 710     |             |  |
| V1EIDTE-M03 | WS1EI VALVE DN T I-E W/MIXING VALVE | 15   | 710     |             |  |
| V1EIBMZ-03  | WS1EI VALVE BW M I-Z                | 15   | 710     |             |  |
| V1EIBTZ-03  | WS1EI VALVE BW T I-Z                | 15   | 710     |             |  |



## CLACK VALVE WS1EI

| Ref         | Softening System/Filter | Injector Tank Size | Downflow/Upflow | Meter        | Mixing Valve |
|-------------|-------------------------|--------------------|-----------------|--------------|--------------|
| V1EIDMC-03  | Softening System        | 8"                 | Downflow        | included     | Not included |
| V1EIDMC-M03 | Softening System        | 8"                 | Downflow        | included     | included     |
| V1EIDMD-03  | Softening System        | 9"                 | Downflow        | included     | Not included |
| V1EIDMD-M03 | Softening System        | 9"                 | Downflow        | included     | included     |
| V1EIDME-03  | Softening System        | 10"                | Downflow        | included     | Not included |
| V1EIDME-M03 | Softening System        | 10"                | Downflow        | included     | included     |
| V1EIDMF-03  | Softening System        | 12"                | Downflow        | included     | Not included |
| V1EIDMF-M03 | Softening System        | 12"                | Downflow        | included     | included     |
| V1EIUMA-03  | Softening System        | 8"                 | Upflow          | included     | Not included |
| V1EIUMA-M03 | Softening System        | 8"                 | Upflow          | included     | included     |
| V1EIUMB-03  | Softening System        | 9"                 | Upflow          | included     | Not included |
| V1EIUMB-M03 | Softening System        | 9"                 | Upflow          | included     | included     |
| V1EIUMC-03  | Softening System        | 10"                | Upflow          | included     | Not included |
| V1EIUMC-M03 | Softening System        | 10"                | Upflow          | included     | included     |
| V1EIDTE-03  | Softening System        | 10"                | Downflow        | Not included | Not included |
| V1EIDTE-M03 | Softening System        | 10"                | Downflow        | Not included | included     |
| V1EIBMZ-03  | Filter                  | N/A                | Backwash        | included     | Not included |
| V1EIBTZ-03  | Filter                  | N/A                | Backwash        | Not included | Not included |

- NOTE:** Controls listed are priced without a power cord or transformer. For AC Adapter (Transformer) selection see "ACCESSORIES" section (V3186-XX). Drain Line Flow Controls (DLFC) washer is not included. Please order separately: reference order number V3162-007 through V3162-100. 1,05" Top Distributor is not included. Please order separately: reference order number AV071. Power Rechargeble Battery Pack Option: Control Valves listed can be used with a rechargeble battery pack and custom PC board. This battery pack can be recharged with the normal transformer for applications with a unstable power grid. Price Adder 118,43 euro. Sun Battery Pack Option: Control Valves listed can be used with a rechargeble battery pack and custom PC board. This battery pack can be recharged with a solar panel for applications with no electrical power. Price Adder 183,02 euro.

| Box: WxLxH | Box: Q.ty | Box: Weight | Pallet: WxLxH | Pallet: Q.ty | Pallet: Weight |
|------------|-----------|-------------|---------------|--------------|----------------|
|            | 4         |             |               | 160          |                |

| Certificates        | Manufacturer | Sectors  |
|---------------------|--------------|----------|
| DM174-2004, ACS, CE | Clack        | Domestic |





## CLACK VALVE WS1EI

| SPECIFIC                                    |                      | FLOW RATES   |                        |
|---|----------------------|--|------------------------|
| Inlet/Outlet Fittings (to order separately) | ¾" to 1,25" male BST | Service $\Delta p$ 1 bar/15 psi drop (includes bypass and meter) | 6,12 m <sup>3</sup> /h |
| Cycles                                      | Up to 6              | Backwash $\Delta p$ 1,7 bar/25 psidrop (includes bypass)         | 6,12 m <sup>3</sup> /h |
| Valve Material                              | Noryl or equivalent  | CV Service   | 7,0                    |
| Regeneration                                | Downflow or Upflow   | CV Backwash  | 5,4                    |

| OPERATING PRESSURES |               | OPERATING TEMPERATURES |            |
|---------------------|---------------|------------------------|------------|
| Minimum/Maximum     | 1,4 ÷ 8,6 bar | Minimum/Maximum        | 4° ÷ 43° C |

| METER           |                                 |                         |                         |
|-----------------|---------------------------------|-------------------------|-------------------------|
| Accuracy        | ± 5%                            | Distributor Pilot       | 1,05" OD Pipe           |
| Flow Rate Range | 0,95 ÷ 102 lpm                  | Drain Line              | ¾" or 1" NPT            |
| Volume Range    | 0,02 ÷ 5.700 m <sup>3</sup>     | Brine Line              | 3/8" or ½" OD Poly Tube |
| Totalizer       | 0,001 - 9.99.999 m <sup>3</sup> | Mounting Base           | 2 ½" - 8 NPSM           |
|                 |                                 | Height From Top Of Tank | 187 mm                  |
|                 |                                 | Weight                  | 2 kg                    |

| ELECTRICAL SPECIFICATIONS |                    | TANK APPLICATIONS |                   |
|---------------------------|--------------------|-------------------|-------------------|
| Supply Voltage            | 200V AC to 240V AC | Water Softener    | 6" ÷ 21" diameter |
| Supply Frequency          | 50/60 Hz           | Water Filter      | 6" ÷ 21" diameter |
| Output Voltage            | 15VDC              |                   |                   |
| Output Current            | 500 mA             |                   |                   |

| CYCLES OF OPERATION                               |                               |
|---|-------------------------------|
| Backwash 1st (upflow)                             | 1 ÷ 95 minutes - Backwash 1-9 |
| Regenerate Draw/Slow Rinse (downflow)             | 1 ÷ 180 minutes               |
| Backwash 2nd (upflow)                             | 1 ÷ 95 minutes - Rinse 1-9    |
| Fast Rinse (downflow)                             | 1 ÷ 95 minutes                |
| Regenerant Refill (in service with treated water) | 0,1 ÷ 99 minutes              |
| Service (downflow)                                |                               |

Options: Backwash Filter, Weather Cover

Compatible with the following typical concentrations of regenerants or chemicals: Sodium chloride, potassium chloride, potassium permanganate, sodium bisulfite, chlorine and chloramines.



## CLACK VALVE TT1EI

### TWIN ALTERNATING CONTROL VALVE



- Transformer, Drain Line Flow Control (DLFC) washer, Top Distributor and accessories not included, to order separately;
- Solid state microprocessor with easy access front panel setting
- Front panel display for time of day, days until next regeneration, volume remaining, current flow rate and total volume used (Totalizer) and Tank in Service Indication;
- Four methods to initiate regeneration; meter immediate, meter delayed, time clock delayed or pressure differential
- Optional double backwash feature offers optimum regeneration, cleaning ability and efficiency
- Fully adjustable cycle times with 6-cycle control delivers controlled backwash, downflow brining/slow rinse, second backwash, fast rinse, refill and downflow service
- Coin Cell Lithium battery back-up with an 8 hour carry over
- Level VI 15-volt output DC power supply provides safe and easy installation
- Control valve design provides optimum service and backwash rates
- Post treated water regenerant refill
- Reliable and proven DC drive
- Certified to NSF/ANSI 44, 61 and 372.
- If you need a different Injector Tank Size, please order separately the relevant Injector and the ref. V4052-01 (Interconnect Kit)

| Ref          | Description          | Fam. | Subfam. | Disp. Stock |  |
|--------------|----------------------|------|---------|-------------|--|
| VTT1EIDME-03 | TT1EI VALVE DN M I-E | 15   | 710     |             |  |

| Ref          | Softening System/Filter | Ø Injector Tank Size | Downflow/Upflow | Meter    | Mixing Valve |
|--------------|-------------------------|----------------------|-----------------|----------|--------------|
| VTT1EIDME-03 | Softening System        | 10"                  | Downflow        | included | Not included |

**NOTE:** Controls listed are priced without a power cord or transformer. For AC Adapter (Transformer) selection see "ACCESSORIES" section (V3186-XX). Drain Line Flow Controls (DLFC) washer is not included. Please order separately: reference order number V3162-007 through V3162-100. 1,05" Top Distributors are not included. Please order separately: reference order number AV071. Power Rechargeable Battery Pack Option: Control Valves listed can be used with a rechargeable battery pack and custom PC board. This battery pack can be recharged with the normal transformer for applications with a unstable power grid. Price Adder 118,43 euro. Sun Battery Pack Option: Control Valves listed can be used with a rechargeable battery pack and custom PC board. This battery pack can be recharged with a solar panel for applications with no electrical power. Price Adder 183,02 euro.

| Box: WxLxH | Box: Q.ty | Box: Weight | Pallet: WxLxH | Pallet: Q.ty | Pallet: Weight |
|------------|-----------|-------------|---------------|--------------|----------------|
|            | 1         |             |               |              |                |

| Certificates        | Manufacturer | Sectors  |
|---------------------|--------------|----------|
| DM174-2004, ACS, CE | Clack        | Domestic |



## CLACK VALVE WS1CI

### CONTROL VALVE



- Top mount control valve suited for automatic residential water softening or filtration system
- Single valve, available also for twin alternating, twin parallel and multitank systems
- Transformer, Drain Line Flow Control (DLFC) washer, Top Distributor and accessories not included, to order separately
- Solid state microprocessor with easy access front panel settings
- Four methods to initiate regeneration; meter immediate, meter delayed, time clock delayed or pressure differential
- Program in ppm, French degrees, German degrees, or cubic meters
- Fully programmable regeneration cycle sequence (maximum 9)
- Programmable regeneration cycle times
- Days override feature; 1 - 28 days available
- Stores system configuration and operation data in nonvolatile memor
- Coin Cell Lithium battery back-up with a 24 hour carry over
- Level VI 15-volt output DC power supply provides safe and easy installation
- Control valve design provides optimum service and backwash rates
- Pre or Post treated water regenerant refill
- Mixing valve option available
- Low salt alarm
- 24-hour clock
- Reliable and proven DC drive
- Certified to NSF/ANSI 44, 61 and 372

| Ref         | Description                          | Fam. | Subfam. | Disp. Stock |  |
|-------------|--------------------------------------|------|---------|-------------|--|
| V1CIDMC-03  | WS1CI VALVE DN M I-C                 | 15   | 700     |             |  |
| V1CIDMC-M03 | WS1CI VALVE DN M I-C W/MIXING VALVE  | 15   | 700     |             |  |
| V1CIDMD-03  | WS1CI VALVE DN M I-D                 | 15   | 700     |             |  |
| V1CIDMD-M03 | WS1CI VALVE DN M I-D W/MIXING VALVE  | 15   | 700     |             |  |
| V1CIDME-03  | WS1CI VALVE DN M I- E                | 15   | 700     |             |  |
| V1CIDME-M03 | WS1CI VALVE DN M I- E W/MIXING VALVE | 15   | 700     |             |  |
| V1CIDMF-03  | WS1CI VALVE DN M I-F                 | 15   | 700     |             |  |
| V1CIDMF-M03 | WS1CI VALVE DN M I-F W/MIXING VALVE  | 15   | 700     |             |  |
| V1CIUMA-03  | WS1CI VALVE UP M I-A                 | 15   | 700     |             |  |
| V1CIUMA-M03 | WS1CI VALVE UP M I-A W/MIXING VALVE  | 15   | 700     |             |  |
| V1CIUMB-03  | WS1CI VALVE UP M I-B                 | 15   | 700     |             |  |
| V1CIUMB-M03 | WS1CI VALVE UP M I-B W/MIXING VALVE  | 15   | 700     |             |  |
| V1CIUMC-03  | WS1CI VALVE UP M I-C                 | 15   | 700     |             |  |
| V1CIUMC-M03 | WS1CI VALVE UP M I-C W/MIXING VALVE  | 15   | 700     |             |  |
| V1CIDTE-03  | WS1CI VALVE DN T I-E                 | 15   | 700     |             |  |
| V1CIDTE-M03 | WS1CI VALVE DN T I-E W/MIXING VALVE  | 15   | 700     |             |  |
| V1CIBMZ-03  | WS1CI VALVE BW M I-Z                 | 15   | 700     |             |  |
| V1CIBTZ-03  | WS1CI VALVE BW T I-Z                 | 15   | 700     |             |  |



## CLACK VALVE WS1CI

| Ref         | Softening System/Filter | Injector Tank Size | Downflow/Upflow | Meter        | Mixing Valve |
|-------------|-------------------------|--------------------|-----------------|--------------|--------------|
| V1CIDMC-03  | Softening System        | 8"                 | Downflow        | included     | Not included |
| V1CIDMC-M03 | Softening System        | 8"                 | Downflow        | included     | included     |
| V1CIDMD-03  | Softening System        | 9"                 | Downflow        | included     | Not included |
| V1CIDMD-M03 | Softening System        | 9"                 | Downflow        | included     | included     |
| V1CIDME-03  | Softening System        | 10"                | Downflow        | included     | Not included |
| V1CIDME-M03 | Softening System        | 10"                | Downflow        | included     | included     |
| V1CIDMF-03  | Softening System        | 12"                | Downflow        | included     | Not included |
| V1CIDMF-M03 | Softening System        | 12"                | Downflow        | included     | included     |
| V1CIUMA-03  | Softening System        | 8"                 | Upflow          | included     | Not included |
| V1CIUMA-M03 | Softening System        | 8"                 | Upflow          | included     | included     |
| V1CIUMB-03  | Softening System        | 9"                 | Upflow          | included     | Not included |
| V1CIUMB-M03 | Softening System        | 9"                 | Upflow          | included     | included     |
| V1CIUMC-03  | Softening System        | 10"                | Upflow          | included     | Not included |
| V1CIUMC-M03 | Softening System        | 10"                | Upflow          | included     | included     |
| V1CIDTE-03  | Softening System        | 10"                | Downflow        | Not included | Not included |
| V1CIDTE-M03 | Softening System        | 10"                | Downflow        | Not included | included     |
| V1CIBMZ-03  | Filter                  | N/A                | Backwash        | included     | Not included |
| V1CIBTZ-03  | Filter                  | N/A                | Backwash        | Not included | Not included |

- NOTE:** Controls listed are priced without a power cord or transformer. For AC Adapter (Transformer) selection see "ACCESSORIES" section (V3186-XX). Drain Line Flow Controls (DLFC) washer is not included. Please order separately: reference order number V3162-007 through V3162-100. 1,05" Top Distributor is not included. Please order separately: reference order number AV071. Power Rechargeable Battery Pack Option: Control Valves listed can be used with a rechargeable battery pack and custom PC board. This battery pack can be recharged with the normal transformer for applications with a unstable power grid. Price Adder 118,43 euro. Sun Battery Pack Option: Control Valves listed can be used with a rechargeable battery pack and custom PC board. This battery pack can be recharged with a solar panel for applications with no electrical power. Price Adder 183,02 euro.

| Box: WxLxH | Box: Q.ty | Box: Weight | Pallet: WxLxH | Pallet: Q.ty | Pallet: Weight |
|------------|-----------|-------------|---------------|--------------|----------------|
|            | 4         |             |               | 160          |                |

| Certificates        | Manufacturer | Sectors  |
|---------------------|--------------|----------|
| DM174-2004, ACS, CE | Clack        | Domestic |



## CLACK VALVE WS1CI

| SPECIFIC                                    |                      | FLOW RATES   |                        |
|---|----------------------|--|------------------------|
| Inlet/Outlet Fittings (to order separately) | ¾" to 1,25" male BST | Service $\Delta p$ 15 psi/1 bar drop (includes bypass and meter) | 6,12 m <sup>3</sup> /h |
| Cycles                                      | Up to 9              | Backwash $\Delta p$ 25 psi/1.7 bar drop (includes bypass)        | 6,12 m <sup>3</sup> /h |
| Valve Material                              | Noryl or equivalent  | Cv Service   | 7,0                    |
| Regeneration                                | Downflow or Upflow   | Cv Backwash  | 5,4                    |

| OPERATING PRESSURES |               | OPERATING TEMPERATURES |            |
|---------------------|---------------|------------------------|------------|
| Minimum/Maximum     | 1,4 ÷ 8,6 bar | Minimum/Maximum        | 4° ÷ 43° C |

| METER           |                             |                         |                         |
|-----------------|-----------------------------|-------------------------|-------------------------|
| Accuracy        | ± 5%                        | Distributor Pilot       | 1,05"                   |
| Flow Rate Range | 0,95 ÷ 102 lpm              | Drain Line              | ¾" or 1" NPT            |
| Volume Range    | 0,02 ÷ 5.700 m <sup>3</sup> | Brine Line              | 3/8" or ½" OD Poly Tube |
| Totalizer       | 1 - 99.999 m <sup>3</sup>   | Mounting Base           | 2 ½" - 8 NPSM           |
|                 |                             | Height From Top Of Tank | 187 mm                  |
|                 |                             | Weight                  | 2 kg                    |

| ELECTRICAL SPECIFICATIONS |                      | TANK APPLICATIONS |                   |
|---------------------------|----------------------|-------------------|-------------------|
| Supply Voltage            | da 200V AC a 240V AC | Water Softener    | 6" ÷ 21" diameter |
| Supply Frequency          | 50/60 Hz             | Water Filter      | 6" ÷ 21" diameter |
| Output Voltage            | 15VDC                |                   |                   |
| Output Current            | 500 mA               |                   |                   |

| CYCLES OF OPERATION<br>Choose up to nine regeneration cycles, in any order, with a wide range of available values |                   |
|---|-------------------|
| Backwash  | 1 ÷ 120 minutes   |
| Rinse   | 1 ÷ 120 minutes   |
| Pause (service)   | 1 ÷ 480 minutes   |
| Brine (co-current)  | 1 ÷ 180 minutes   |
| Brine (counter-current)   | 1 ÷ 180 minutes   |
| Refill (softener)   | 0,05 ÷ 90,00 kg   |
| Refill (filter)   | 0,2 ÷ 76,0 liters |

Options: Backwash Filter, Bypass, Weather Cover

Compatible with the following typical concentrations of regenerants or chemicals: Sodium chloride, potassium chloride, potassium permanganate, sodium bisulfite, chlorine and chloramines



## CLACK VALVE TT1CI

### CONTROL VALVE



- Transformer, Drain Line Flow Control (DLFC) washer, Top Distributor and accessories not included, to order separately;
- Solid state microprocessor with easy access front panel settings
- Four methods to initiate regeneration; meter immediate, meter delayed, time clock delayed or pressure differential
- Program in ppm, French degrees, German degrees, or cubic meters
- Fully programmable regeneration cycle sequence (maximum 9)
- Programmable regeneration cycle times
- Days override feature; 1 - 28 days available
- Stores system configuration and operation data in nonvolatile memory
- Coin Cell Lithium battery back-up with a 24 hour carry over
- Level VI 15-volt output DC power supply provides safe and easy installation
- Control valve design provides optimum service and backwash rates
- Pre or Post treated water regenerant refill
- Mixing valve option available
- Low salt alarm
- 24-hour clock
- Reliable and proven DC drive
- Certified to NSF/ANSI 44, 61 and 372

If you need a different Injector Tank Size, please order separately the relevant Injector and the ref. V4052-01 (Interconnect Kit)

| Ref          | Description          | Fam. | Subfam. | Disp. Stock |  |
|--------------|----------------------|------|---------|-------------|--|
| VTT1CIDME-03 | TT1CI VALVE DN M I-E | 15   | 700     |             |  |

| Ref          | Softening System/Filter | Ø Injector Tank Size | Downflow/Upflow | Meter    | Mixing Valve |
|--------------|-------------------------|----------------------|-----------------|----------|--------------|
| VTT1CIDME-03 | Softening System        | 10"                  | Downflow        | included | Not included |

**NOTE:** Controls listed are priced without a power cord or transformer. For AC Adapter (Transformer) selection see "ACCESSORIES" section (V3186-XX). Drain Line Flow Controls (DLFC) washer is not included. Please order separately: reference order number V3162-007 through V3162-100. 1,05" Top Distributors are not included. Please order separately: reference order number AV071. Power Rechargeable Battery Pack Option: Control Valves listed can be used with a rechargeable battery pack and custom PC board. This battery pack can be recharged with the normal transformer for applications with an unstable power grid. Price Adder 118,43 euro. Sun Battery Pack Option: Control Valves listed can be used with a rechargeable battery pack and custom PC board. This battery pack can be recharged with a solar panel for applications with no electrical power. Price Adder 183,02 euro.

| Box: WxLxH | Box: Q.ty | Box: Weight | Pallet: WxLxH | Pallet: Q.ty | Pallet: Weight |
|------------|-----------|-------------|---------------|--------------|----------------|
|            | 1         |             |               |              |                |

| Certificates        | Manufacturer | Sectors  |
|---------------------|--------------|----------|
| DM174-2004, ACS, CE | Clack        | Domestic |



## CLACK VALVE WS125TC

### CONTROL VALVE



- Top mount control valve suited for automatic residential water softening or filtration system
- Single valve, available also for twin alternating, twin parallel and multitank systems
- Transformer, Drain Line Flow Control (DLFC) washer, Top Distributor and accessories not included, to order separately
- More informative 4 digit LCD Display with Status Indicators
- Solid state microprocessor with easy access front panel setting
- Front panel display for time of day, days until next regeneration
- Days between regeneration feature: 1-99 days standard; 7-day optional
- Double backwash feature offers optimum regeneration, cleaning ability and efficiency
- 10 selectable pre-programmed regeneration cycles
- Coin Cell Lithium battery back-up with a 8 hour carry over
- Auto detection of 50/60 Hz line frequency, with automatic 12/24 hour time keeping formats
- Level VI 15-volt output DC power supply provides safe and easy installation
- Post treated water regenerant refill
- Reliable and proven DC drive
- Certified to NSF/ANSI 44, 61 and 372

| Ref          | Description                           | Fam. | Subfam. | Disp. Stock |  |
|--------------|---------------------------------------|------|---------|-------------|--|
| V125CDTE-08  | WS125TC VALVE DN T I-E                | 15   | 750     |             |  |
| V125CDTE-M08 | WS125TC VALVE DN T I-E W/MIXING VALVE | 15   | 750     |             |  |
| V125CDTF-08  | WS125TC VALVE DN T I-F                | 15   | 750     |             |  |
| V125CDTF-M08 | WS125TC VALVE DN T I-F W/MIXING VALVE | 15   | 750     |             |  |
| V125CDTG-08  | WS125TC VALVE DN T I-G                | 15   | 750     |             |  |
| V125CDTG-M08 | WS125TC VALVE DN T I-G W/MIXING VALVE | 15   | 750     |             |  |
| V125CBTZ-08  | WS125TC VALVE BW T I-Z                | 15   | 750     |             |  |

| Ref          | Softening System/Filter | Ø Injector Tank Size | Downflow/Upflow | Meter        | Mixing Valve |
|--------------|-------------------------|----------------------|-----------------|--------------|--------------|
| V125CDTE-08  | Softening System        | 10"                  | Downflow        | Not included | Not included |
| V125CDTE-M08 | Softening System        | 10"                  | Downflow        | Not included | included     |
| V125CDTF-08  | Softening System        | 12"                  | Downflow        | Not included | Not included |
| V125CDTF-M08 | Softening System        | 12"                  | Downflow        | Not included | included     |
| V125CDTG-08  | Softening System        | 13"                  | Downflow        | Not included | Not included |
| V125CDTG-M08 | Softening System        | 13"                  | Downflow        | Not included | included     |
| V125CBTZ-08  | Filter                  | N/A                  | Backwash        | Not included | Not included |

**NOTE:** Controls listed are priced without a power cord or transformer. For AC Adapter (Transformer) selection see "ACCESSORIES" section (V3186-XX). Drain Line Flow Controls (DLFC) washer is not included. Please order separately: reference order number V3162-007 through V3162-100.32 mm Top Distributor is not included. Please order separately: reference order number V-D1203-03. Power Rechargeable Battery Pack Option: Control Valves listed can be used with a rechargeable battery pack and custom PC board. This battery pack can be recharged with the normal transformer for applications with an unstable power grid. Price Adder 118,43 euro. Sun Battery Pack Option: Control Valves listed can be used with a rechargeable battery pack and custom PC board. This battery pack can be recharged with a solar panel for applications with no electrical power. Price Adder 183,02 euro.

| Box: WxLxH | Box: Q.ty | Box: Weight | Pallet: WxLxH | Pallet: Q.ty | Pallet: Weight |
|------------|-----------|-------------|---------------|--------------|----------------|
|            | 2         |             |               | 96           |                |

| Certificates        | Manufacturer | Sectors  |
|---------------------|--------------|----------|
| DM174-2004, ACS, CE | Clack        | Domestic |



## CLACK VALVE WS125TC

| SPECIFIC                                    |                      | FLOW RATES                      |        |
|---|----------------------|---------------------------------|--------|
| Inlet/Outlet Fittings (to order separately) | 1" to 1,5" male BSPT | Service $\Delta p$ 15 psi drop  | 34 gpm |
| Cycles                                      | 6                    | Backwash $\Delta p$ 25 psi drop | 32 gpm |
| Valve Material                              | Noryl o equivalent   | Cv Service                      | 8,8    |
| Regeneration                                | Downflow             | Cv Backwash                     | 6,4    |

| OPERATING PRESSURES |                  | TEMPERATURA DI ESERCIZIO |            |
|---------------------|------------------|--------------------------|------------|
| Minimum/Maximum     | 20 psi - 125 psi | Minimum/Maximum          | 4° ÷ 43° C |

|                         |                         |
|-------------------------|-------------------------|
| Distributor Pilot       | 32 mm OD Pipe           |
| Drain Line              | ¾" or 1" NPT            |
| Brine Line              | 3/8" or ½" OD Poly Tube |
| Mounting Base           | 2½" 8 NPSM              |
| Height From Top Of Tank | 187 mm                  |
| Weight                  | 2 kg                    |

| ELECTRICAL SPECIFICATIONS |                      | TANK APPLICATIONS |                   |
|---------------------------|----------------------|-------------------|-------------------|
| Supply Voltage            | da 200V AC a 240V AC | Water Softener    | 6" ÷ 21" diameter |
| Supply Frequency          | 50/60 Hz             | Water Filter      | 6" ÷ 24" diameter |
| Output Voltage            | 15VDC                |                   |                   |
| Output Current            | 500 mA               |                   |                   |

| CYCLES OF OPERATION (Softener Downflow)           |                 |
|---|-----------------|
| Backwash 1st(upflow)                              | 3 ÷ 12 minutes  |
| Regenerate Draw/Slow Rinse (downflow)             | 50 ÷ 70 minutes |
| Backwash 2nd (upflow)                             | 3 ÷ 12 minutes  |
| Fast Rinse (downflow)                             | 3 ÷ 8 minutes   |
| Regenerant Refill (in service with treated water) | As Programmed   |
| Service (downflow)                                |                 |

Options: Backwash Filter, Bypass, Weather Cover

Compatible with the following typical concentration of regenerants or chemicals: Sodium chloride, potassium chloride, potassium permanganate, sodium bisulfite, chlorine and chloramines





## CLACK VALVE WS125EI

### CONTROL VALVE



- Top mount control valve suited for automatic residential water softening or filtration system
- Single valve, available also for twin alternating, twin parallel and multitank systems
- Transformer, Drain Line Flow Control (DLFC) washer, Top Distributor and accessories not included, to order separately
- Solid state microprocessor with easy access front panel setting.
- Front panel display for time of day, days until next regeneration, volume remaining, current flow rate and total volume used (Totalizer)
- Four methods to initiate regeneration; meter immediate, meter delayed, time clock delayed or pressure differential
- Optional double backwash feature offers optimum regeneration, cleaning ability and efficiency
- Fully adjustable cycle times with 6-cycle control delivers controlled backwash, downflow brining/slow rinse, second backwash, fast rinse, refill and downflow service
- Coin Cell Lithium battery back-up with an 8 hour carry over
- Level VI 15-volt output DC power supply provides safe and easy installation
- Control valve design provides optimum service and backwash rates
- Post treated water regenerant refill
- Certified to NSF/ANSI 44, 61 and 372

| Ref           | Description                           | Fam. | Subfam. | Disp. Stock |  |
|---------------|---------------------------------------|------|---------|-------------|--|
| V125EIDME-08  | WS125EI VALVE DN M I-E                | 15   | 740     |             |  |
| V125EIDME-M08 | WS125EI VALVE DN M I-E W/MIXING VALVE | 15   | 740     |             |  |
| V125EIDMF-08  | WS125EI VALVE DN M I-F                | 15   | 740     |             |  |
| V125EIDMF-M08 | WS125EI VALVE DN M I-F W/MIXING VALVE | 15   | 740     |             |  |
| V125EIDMH-08  | WS125EI VALVE DN M I-H                | 15   | 740     |             |  |
| V125EIDMH-M08 | WS125EI VALVE DN M I-H W/MIXING VALVE | 15   | 740     |             |  |
| V125EIDMI-08  | WS125EI VALVE DN M I-I                | 15   | 740     |             |  |
| V125EIDMI-M08 | WS125EI VALVE DN M I-I W/MIXING VALVE | 15   | 740     |             |  |
| V125EIDMK-08  | WS125EI VALVE DN M I-K                | 15   | 740     |             |  |
| V125EIDMK-M08 | WS125EI VALVE DN M I-K W/MIXING VALVE | 15   | 740     |             |  |
| V125EIUMD-08  | WS125EI VALVE UP M I-D                | 15   | 740     |             |  |
| V125EIUMD-M08 | WS125EI VALVE UP M I-D W/MIXING VALVE | 15   | 740     |             |  |
| V125EIUMF-08  | WS125EI VALVE UP M I-F                | 15   | 740     |             |  |
| V125EIUMF-M08 | WS125EI VALVE UP M I-F W/MIXING VALVE | 15   | 740     |             |  |
| V125EIDTF-08  | WS125EI VALVE DN T I-F                | 15   | 740     |             |  |
| V125EIDTF-M08 | WS125EI VALVE DN T I-F W/MIXING VALVE | 15   | 740     |             |  |
| V125EIBMZ-08  | WS125EI VALVE BW M I-Z                | 15   | 740     |             |  |
| V125EIBTZ-08  | WS125EI VALVE BW T I-Z                | 15   | 740     |             |  |



## CLACK VALVE WS125EI

| Ref           | Softening System/Filter | Ø Injector Tank Size | Downflow/Upflow | Meter        | Mixing Valve |
|---------------|-------------------------|----------------------|-----------------|--------------|--------------|
| V125EIDME-08  | Softening System        | 10"                  | Downflow        | included     | Not included |
| V125EIDME-M08 | Softening System        | 10"                  | Downflow        | included     | included     |
| V125EIDMF-08  | Softening System        | 12"                  | Downflow        | included     | Not included |
| V125EIDMF-M08 | Softening System        | 12"                  | Downflow        | included     | included     |
| V125EIDMH-08  | Softening System        | 14"                  | Downflow        | included     | Not included |
| V125EIDMH-M08 | Softening System        | 14"                  | Downflow        | included     | included     |
| V125EIDMI-08  | Softening System        | 16"                  | Downflow        | included     | Not included |
| V125EIDMI-M08 | Softening System        | 16"                  | Downflow        | included     | included     |
| V125EIDMK-08  | Softening System        | 21"                  | Downflow        | included     | Not included |
| V125EIDMK-M08 | Softening System        | 21"                  | Downflow        | included     | included     |
| V125EIUMD-08  | Softening System        | 12"                  | Upflow          | included     | Not included |
| V125EIUMD-M08 | Softening System        | 12"                  | Upflow          | included     | included     |
| V125EIUMF-08  | Softening System        | 14"                  | Upflow          | included     | Not included |
| V125EIUMF-M08 | Softening System        | 14"                  | Upflow          | included     | included     |
| V125EIDTF-08  | Softening System        | 12"                  | Downflow        | Not included | Not included |
| V125EIDTF-M08 | Softening System        | 12"                  | Downflow        | Not included | included     |
| V125EIBMZ-08  | Filter                  | N/A                  | Backwash        | included     | Not included |
| V125EIBTZ-08  | Filter                  | N/A                  | Backwash        | Not included | Not included |

**NOTA:** Controls listed are priced without a power cord or transformer. For AC Adapter (Transformer) selection see "ACCESSORIES" section (V3186-XX). Drain Line Flow Controls (DLFC) washer is not included. Please order separately: reference order number V3162-007 through V3162-100. 32 mm Top Distributor is not included. Please order separately: reference order number V-D1203-03. Power Rechargeable Battery Pack Option: Control Valves listed can be used with a rechargeable battery pack and custom PC board. This battery pack can be recharged with the normal transformer for applications with a unstable power grid. Price Adder 118,43 euro. Sun Battery Pack Option: Control Valves listed can be used with a rechargeable battery pack and custom PC board. This battery pack can be recharged with a solar panel for applications with no electrical power. Price Adder 183,02 euro.

| Box: WxLxH | Box: Q.ty | Box: Weight | Pallet: WxLxH | Pallet: Q.ty | Pallet: Weight |
|------------|-----------|-------------|---------------|--------------|----------------|
|            | 2         |             |               | 96           |                |

| Certificates        | Manufacturer | Sectors  |
|---------------------|--------------|----------|
| DM174-2004, ACS, CE | Clack        | Domestic |



## CLACK VALVE WS125EI

| SPECIFIC                                    |                       | FLOW RATES  |                       |
|---|-----------------------|---|-----------------------|
| Inlet/Outlet Fittings (to order separately) | 1" to 1,5" masle BSPT | Service $\Delta p$ 15 psi/1 bar drop (includes meter) | 7,7 m <sup>3</sup> /h |
| Cycles                                      | up to 6               | Backwash con $\Delta p$ 25 psi/1.7 bar drop           | 7,3 m <sup>3</sup> /h |
| Valve Material                              | Noryl or equivalent   | CV Service  | 8,8                   |
| Regeneration                                | Downflow or Upflow    | CV Backwash   | 6,4                   |

| OPERATING PRESSURES |               | OPERATING TEMPERATURES |            |
|---------------------|---------------|------------------------|------------|
| Minimum/Maximum     | 1,4 ÷ 8,6 bar | Minimum/Maximum        | 4° ÷ 43° C |

| METER           |                                  |                         |                         |
|-----------------|----------------------------------|-------------------------|-------------------------|
| Accuracy        | ± 5%                             | Distributor Pilot       | 32 mm OD Pipe           |
| Flow Rate Range | 0,95 ÷ 129 lpm                   | Drain Line              | ¾" or 1" NPT            |
| Volume Range    | 0,02 ÷ 5.700 m <sup>3</sup>      | Brine Line              | 3/8" or ½" OD Poly Tube |
| Totalizer       | 0,001 - 9.999.000 m <sup>3</sup> | Mounting Base           | 2½" 8 NPSM              |
|                 |                                  | Height From Top Of Tank | 187 mm                  |
|                 |                                  | Weight                  | 2 kg                    |

| ELECTRICAL SPECIFICATIONS |                    | TANK APPLICATIONS |                   |
|---------------------------|--------------------|-------------------|-------------------|
| Supply Voltage            | 200V AC to 240V AC | Water Softener    | 6" ÷ 21" diameter |
| Supply Frequency          | 50/60 Hz           | Water Filter      | 6" ÷ 24" diameter |
| Output Voltage            | 15VDC              |                   |                   |
| Output Current            | 500 mA             |                   |                   |

| CYCLES OF OPERATION                               |                  |
|---|------------------|
| Backwash 1st (upflow)                             | 1 ÷ 95 minutes   |
| Regenerate Draw/Slow Rinse (downflow)             | 1 ÷ 180 minutes  |
| Backwash 2nd (upflow)                             | 1 ÷ 95 minutes   |
| Fast Rinse (downflow)                             | 1 ÷ 95 minutes   |
| Regenerant Refill (in service with treated water) | 0,1 ÷ 99 minutes |
| Service (downflow)                                |                  |

Options: Backwash Filter, Weather Cover

Compatible with the following typical concentrations of regenerants or chemicals: Sodium chloride, potassium chloride, potassium permanganate, sodium bisulfite, chlorine and chloramines



## CLACK VALVE WS125CI

### CONTROL VALVE



- Top mount control valve suited for automatic residential water softening or filtration system
- Single valve, available also for twin alternating, twin parallel and multitank systems
- Transformer, Drain Line Flow Control (DLFC) washer, Top Distributor and accessories not included, to order separately
- Solid state microprocessor with easy access front panel settings.
- Four methods to initiate regeneration; meter immediate, meter delayed, time clock delayed or pressure differential
- Program in ppm, French degrees, German degrees, or cubic meters
- Fully programmable regeneration cycle sequence (maximum 9)
- Programmable regeneration cycle times
- Days override feature; 1 - 28 days available
- Stores system configuration and operation data in nonvolatile memory
- Coin Cell Lithium battery back-up with a 24 hour carry over
- Level VI 15-volt output DC power supply provides safe and easy installation
- Control valve design provides optimum service and backwash rates
- Pre or Post treated water regenerant refill
- Mixing valve option available
- Low salt alarm
- 24-hour clock
- Reliable and proven DC drive
- Certified to NSF/ANSI 44, 61 and 37

| Ref           | Description                           | Fam. | Subfam. | Disp. Stock |  |
|---------------|---------------------------------------|------|---------|-------------|--|
| V125CIDME-08  | WS125CI VALVE DN M I-E                | 15   | 730     |             |  |
| V125CIDME-M08 | WS125CI VALVE DN M I-E W/MIXING VALVE | 15   | 730     |             |  |
| V125CIDMF-08  | WS125CI VALVE DN M I-F                | 15   | 730     |             |  |
| V125CIDMF-M08 | WS125CI VALVE DN M I-F W/MIXING VALVE | 15   | 730     |             |  |
| V125CIDMH-08  | WS125CI VALVE DN M I-H                | 15   | 730     |             |  |
| V125CIDMH-M08 | WS125CI VALVE DN M I-H W/MIXING VALVE | 15   | 730     |             |  |
| V125CIDMI-08  | WS125CI VALVE DN M I-I                | 15   | 730     |             |  |
| V125CIDMI-M08 | WS125CI VALVE DN M I-I W/MIXING VALVE | 15   | 730     |             |  |
| V125CIDMK-08  | WS125CI VALVE DN M I-K                | 15   | 730     |             |  |
| V125CIDMK-M08 | WS125CI VALVE DN M I-K W/MIXING VALVE | 15   | 730     |             |  |
| V125CIUMD-08  | WS125CI VALVE UP M I-D                | 15   | 730     |             |  |
| V125CIUMD-M08 | WS125CI VALVE UP M I-D W/MIXING VALVE | 15   | 730     |             |  |
| V125CIUMF-08  | WS125CI VALVE UP M I-F                | 15   | 730     |             |  |
| V125CIUMF-M08 | WS125CI VALVE UP M I-F W/MIXING VALVE | 15   | 730     |             |  |
| V125CIDTF-08  | WS125CI VALVE DN T I-F                | 15   | 730     |             |  |
| V125CIDTF-M08 | WS125CI VALVE DN T I-F W/MIXING VALVE | 15   | 730     |             |  |
| V125CIBMZ-08  | WS125CI VALVE BW M I-Z                | 15   | 730     |             |  |
| V125CIBTZ-08  | WS125CI VALVE BW T I-Z                | 15   | 730     |             |  |



## CLACK VALVE WS125CI

| Ref           | Softening System/Filter | Ø Injector Tank Size | Downflow/Upflow | Meter        | Mixing Valve |
|---------------|-------------------------|----------------------|-----------------|--------------|--------------|
| V125CIDME-08  | Softening System        | 10"                  | Downflow        | included     | Not included |
| V125CIDME-M08 | Softening System        | 10"                  | Downflow        | included     | included     |
| V125CIDMF-08  | Softening System        | 12"                  | Downflow        | included     | Not included |
| V125CIDMF-M08 | Softening System        | 12"                  | Downflow        | included     | included     |
| V125CIDMH-08  | Softening System        | 14"                  | Downflow        | included     | Not included |
| V125CIDMH-M08 | Softening System        | 14"                  | Downflow        | included     | included     |
| V125CIDMI-08  | Softening System        | 16"                  | Downflow        | included     | Not included |
| V125CIDMI-M08 | Softening System        | 16"                  | Downflow        | included     | included     |
| V125CIDMK-08  | Softening System        | 21"                  | Downflow        | included     | Not included |
| V125CIDMK-M08 | Softening System        | 21"                  | Downflow        | included     | included     |
| V125CIUMD-08  | Softening System        | 12"                  | Upflow          | included     | Not included |
| V125CIUMD-M08 | Softening System        | 12"                  | Upflow          | included     | included     |
| V125CIUMF-08  | Softening System        | 14"                  | Upflow          | included     | Not included |
| V125CIUMF-M08 | Softening System        | 14"                  | Upflow          | included     | included     |
| V125CIDTF-08  | Softening System        | 12"                  | Downflow        | Not included | Not included |
| V125CIDTF-M08 | Softening System        | 12"                  | Downflow        | Not included | included     |
| V125CIBMZ-08  | Filter                  | N/A                  | Backwash        | included     | Not included |
| V125CIBTZ-08  | Filter                  | N/A                  | Backwash        | Not included | Not included |

**NOTE:** Controls listed are priced without a power cord or transformer. For AC Adapter (Transformer) selection see "ACCESSORIES" section (V3186-XX). Drain Line Flow Controls (DLFC) washer is not included. Please order separately: reference order number V3162-007 through V3162-100. 32 mm Top Distributor is not included. Please order separately: reference order number V-D1203-03. Power Rechargeable Battery Pack Option: Control Valves listed can be used with a rechargeable battery pack and custom PC board. This battery pack can be recharged with the normal transformer for applications with a unstable power grid. Price Adder 118,43 euro. Sun Battery Pack Option: Control Valves listed can be used with a rechargeable battery pack and custom PC board. This battery pack can be recharged with a solar panel for applications with no electrical power. Price Adder 183,02 euro.

| Box: WxLxH | Box: Q.ty | Box: Weight | Pallet: WxLxH | Pallet: Q.ty | Pallet: Weight |
|------------|-----------|-------------|---------------|--------------|----------------|
|            | 2         |             |               | 96           |                |

| Certificates        | Manufacturer | Sectors  |
|---------------------|--------------|----------|
| DM174-2004, ACS, CE | Clack        | Domestic |



## CLACK VALVE WS125CI

| SPECIFIC                                    |                        | FLOW RATES  |                       |
|---|------------------------|---|-----------------------|
| Inlet/Outlet Fittings (to order separately) | Da 1" a 1,5" male BSPT | Service $\Delta p$ 15 psi/1 bar drop (includes meter) | 7,7 m <sup>3</sup> /h |
| Cycles                                      | Up to 9                | Backwash $\Delta p$ 25 psi/1.7 bar drop               | 7,3 m <sup>3</sup> /h |
| Valve Material                              | Noryl or equivalent    | CV Service  | 8,8                   |
| Regeneration                                | Downflow or Upflow     | CV Backwash   | 6,4                   |

| OPERATING PRESSURES |               | OPERATING TEMPERATURES |            |
|---------------------|---------------|------------------------|------------|
| Minimum/Maximum     | 1,4 ÷ 8,6 bar | Minimum/Maximum        | 4° ÷ 43° C |

| METER            |                             |                         |                         |
|------------------|-----------------------------|-------------------------|-------------------------|
| Accuracy         | ± 5%                        | Distributor Pilot       | 32 mm OD Pipe           |
| Flow Rate Range. | 0,95 ÷ 129 lpm              | Drain Line              | ¾" or 1" NPT            |
| Volume Range     | 0,02 ÷ 5.700 m <sup>3</sup> | Brine Line              | 3/8" or ½" OD Poly Tube |
| Totalizer        | 1 - 99.999 m <sup>3</sup>   | Mounting Base           | 2½" 8 NPSM              |
|                  |                             | Height From Top Of Tank | 187 mm                  |
|                  |                             | Weight                  | 2 kg                    |

| ELECTRICAL SPECIFICATIONS |                    | TANK APPLICATIONS |                   |
|---------------------------|--------------------|-------------------|-------------------|
| Supply Voltage            | 200V AC to 240V AC | Water Softener    | 6" ÷ 21" diameter |
| Supply Frequency          | 50/60 Hz           | Water Filter      | 6" ÷ 24" diameter |
| Output Voltage            | 15VDC              |                   |                   |
| Output Current            | 500 mA             |                   |                   |

| CYCLES OF OPERATION   |                   |
|---|-------------------|
| Choose up to nine regeneration cycles, in any order, with a wide range of available values: |                   |
| Backwash  | 1 ÷ 120 minutes   |
| Rinse   | 1 ÷ 120 minutes   |
| Pause (service)   | 1 ÷ 480 minutes   |
| Brine (co-current)  | 1 ÷ 180 minutes   |
| Brine (counter-current)   | 1 ÷ 180 minutes   |
| Refill (softener)   | 0,05 ÷ 90,00 kg   |
| Refill (filter)   | 0,2 ÷ 76,0 liters |

Options: Backwash Filter, Bypass, Weather Cover

Compatible with the following typical concentrations of regenerants or chemicals: Sodium chloride, potassium chloride, potassium permanganate, sodium bisulfite, chlorine and chloramines



## CLACK VALVE WS15EI

### CONTROL VALVE



- Transformer, Drain Line Flow Control (DLFC) washer, Top Distributor and accessories not included, to order separately
- 1.5" top mount control valve suited for mid-size commercial/industrial applications
- Epoxy coated lead free brass valve body;
- Economical optional meter
- Solid state microprocessor with easy access front panel settings
- Front panel display for time of day, days until next regeneration, volume remaining, current flow rate and total volume used (Totalizer)
- Four methods to initiate regeneration; meter immediate, meter delayed, time clock delayed or pressure differential
- Optional double backwash feature offers optimum regeneration, cleaning ability and efficiency;
- Fully adjustable cycle times with 6-cycle control delivers controlled backwash, downflow brining or upflow brining, slow rinse, second backwash, fast rinse, refill and downflow service;
- Coin Cell Lithium battery back-up with a 8 hour carry over
- Level VI 15-volt output DC power supply provides safe and easy installation
- Post treated water regenerant refill
- 24 hour clock
- Reliable and proven DC drive
- Certified to NSF/ANSI 44, 61 and 372

| Ref         | Description           | Fam. | Subfam. | Disp. Stock |  |
|-------------|-----------------------|------|---------|-------------|--|
| V15EIDMB-05 | WS15EI VALVE DN M I-B | 25   | 810     |             |  |
| V15EIDMD-05 | WS15EI VALVE DN M I-D | 25   | 810     |             |  |
| V15EIDMF-05 | WS15EI VALVE DN M I-F | 25   | 810     |             |  |
| V15EIDMG-05 | WS15EI VALVE DN M I-G | 25   | 810     |             |  |
| V15EIUMB-05 | WS15EI VALVE UP M I-B | 25   | 810     |             |  |
| V15EIUMD-05 | WS15EI VALVE UP M I-D | 25   | 810     |             |  |
| V15EIDTD-05 | WS15EI VALVE DN T I-D | 25   | 810     |             |  |
| V15EIDTF-05 | WS15EI VALVE DN T I-F | 25   | 810     |             |  |
| V15EIDTG-05 | WS15EI VALVE DN T I-G | 25   | 810     |             |  |
| V15EIBMZ-05 | WS15EI VALVE BW M I-Z | 25   | 810     |             |  |
| V15EIBTZ-05 | WS15EI VALVE BW T I-Z | 25   | 810     |             |  |



## CLACK VALVE WS15EI

| Ref         | Softening System/Filter | Ø Injector Tank Size | Downflow/Upflow | Meter        | Mixing Valve |
|-------------|-------------------------|----------------------|-----------------|--------------|--------------|
| V15EIDMB-05 | Softening System        | 12"                  | Downflow        | included     | Not included |
| V15EIDMD-05 | Softening System        | 14"                  | Downflow        | included     | Not included |
| V15EIDMF-05 | Softening System        | 18"                  | Downflow        | included     | Not included |
| V15EIDMG-05 | Softening System        | 21"                  | Downflow        | included     | Not included |
| V15EIUMB-05 | Softening System        | 14"                  | Upflow          | included     | Not included |
| V15EIUMD-05 | Softening System        | 18"                  | Upflow          | included     | Not included |
| V15EIDTD-05 | Softening System        | 14"                  | Downflow        | Not included | Not included |
| V15EIDTF-05 | Softening System        | 18"                  | Downflow        | Not included | Not included |
| V15EIDTG-05 | Softening System        | 21"                  | Downflow        | Not included | Not included |
| V15EIBMZ-05 | Filter                  | N/A                  | Backwash        | included     | Not included |
| V15EIBTZ-05 | Filter                  | N/A                  | Backwash        | Not included | Not included |

**NOTE:** Controls listed are priced without a power cord or transformer. For AC Adapter (Transformer) selection see "ACCESSORIES" section (V3186-XX). Drain Line Flow Controls (DLFC) washer is not included. Please order separately. For 3/4" drain fitting (V3158-04), Flow rates 0.07 - 10.0 gpm: reference order numbers V3162-007 through V3162-100. For 1" drain fitting (V3008-05), Flow rates 9.0 - 25.0 gpm: reference order numbers V3190-090 through V3190-250. For 1.25" x 1.5" drain fittings (V3079BSPT), Flow rates 9 to 85 gpm: reference order numbers V3162-007 through V3162-100, and V3190-090 through V3190-250. 50 mm Top Distributor is not included. Please order separately: reference order numbers V-D1199-04 or V-D1300. Power Rechargeble Battery Pack Option: Control Valves listed can be used with a rechargeble battery pack and custom PC board. This battery pack can be recharged with the normal transformer for applications with a unstable power grid. Price Adder 118,43 euro. Sun Battery Pack Option: Control Valves listed can be used with a rechargeble battery pack and custom PC board. This battery pack can be recharged with a solar panel for applications with no electrical power. Price Adder 183,02 euro.

| Box: WxLxH | Box: Q.ty | Box: Weight | Pallet: WxLxH | Pallet: Q.ty | Pallet: Weight |
|------------|-----------|-------------|---------------|--------------|----------------|
|            | 1         |             |               |              |                |

| Certificates | Manufacturer | Sectors                |
|--------------|--------------|------------------------|
| ACS CE       | Clack        | Commercial, Industrial |





## CLACK VALVE WS15EI

| SPECIFIC       |                    | CONTROL VALVE FLOW RATES                              |                       |
|----------------|--------------------|---|-----------------------|
| Inlet/Outlet   | 1,5" female BSPT   | Service $\Delta p$ 1 bar/15 psi drop (includes meter) | 15,9m <sup>3</sup> /h |
| Cycles         | up to 6            | Backwash $\Delta p$ 1.7/25 psi bar drop               | 11,8m <sup>3</sup> /h |
| Valve Material | Lead free brass    |   |                       |
| Regeneration   | Downflow or Upflow |   |                       |

| OPERATING PRESSURES |               | OPERATING TEMPERATURES |            |
|---------------------|---------------|------------------------|------------|
| Minimum/Maximum     | 1,4 ÷ 8,6 bar | Minimum/Maximum        | 4° ÷ 43° C |

| METER SPECIFICATIONS |                                   |  |   |
|----------------------|-----------------------------------|--|---|
| Accuracy             | ± 5%                              | Distributor Pilot                      | 50 mm   |
| Flow Rate Range      | 2 ÷ 248 lpm                       | Drain Line Connection Adapter Included | 1.25" Female NPT 3/4" Male NPT Elbow          |
| Volume Range         | 0,02 ÷ 5.700 m <sup>3</sup>       | Brine Line Connection Adapter Included | 3/4" Female NPT 1/2" OD Poly Tube Compression |
| Totalizer            | 0,001 - 4.294..000 m <sup>3</sup> | Mounting Base                          | 4" - 8 UN                                     |
|                      |                                   | Height From Top Of Tank                | 191 mm  |
|                      |                                   | Shipping Weight With Meter             | 9,5 kg  |

| ELECTRICAL SPECIFICATIONS |                    | TANK APPLICATIONS |                    |
|---------------------------|--------------------|-------------------|--------------------|
| Supply Voltage            | 200V AC to 240V AC | Water Softener    | 12" ÷ 30" diameter |
| Supply Frequency          | 50/60 Hz           | Water Filter      | 12" ÷ 30" diameter |
| Output Voltage            | 15VDC              |                   |                    |
| Output Current            | 500 mA             |                   |                    |

| CYCLES OF OPERATION                               |                               |
|---|-------------------------------|
| Backwash 1st (upflow)                             | 1 ÷ 95 minutes - Backwash 1-9 |
| Regenerate Draw/Slow Rinse (downflow)             | 1 ÷ 180 minutes - Rinse 1-9   |
| Backwash 2nd (upflow)                             | 1 ÷ 95 minutes                |
| Fast Rinse (downflow)                             | 1 ÷ 95 minutes                |
| Regenerant Refill (in service with treated water) | 0,1 ÷ 99 minutes              |
| Service (downflow)                                |                               |

Options: Backwash Filter, Weather Cover

Compatible with the following typical concentrations of regenerants or chemicals: Sodium chloride, potassium chloride, potassium permanganate, sodium bisulfite, chlorine and chloramines.



## CLACK VALVE WS15CI

### CONTROL VALVE



- Transformer, Drain Line Flow Control (DLFC) washer, Top Distributor and accessories not included, to order separately
- 1.5" top mount control valve suited for mid-size commercial/industrial applications
- Epoxy coated lead free brass valve body;
- Economical stainless steel optional meter assembly
- Solid state microprocessor with easy access front panel settings
- Front panel display for time of day, days until next regeneration, volume remaining and current flow
- Four methods to initiate the downflow regeneration; meter immediate, meter delayed, time clock delayed or pressure differential
- Program in ppm, French degrees, German degrees, or cubic meters
- Fully programmable regeneration cycle sequence (maximum 9)
- Programmable regeneration cycle times
- Days override feature; 1-28 days available
- Level VI 15-volt output DC power supply provides safe and easy installation
- Pre or Post treated water regenerant refill;
- Low salt alarm
- 24 hour clock
- Coin Cell Lithium battery back-up with a 24 hour carry over
- Reliable and proven DC drive
- Certified to NSF/ANSI 44, 61 and 372

| Ref         | Description           | Fam. | Subfam. | Disp. Stock |  |
|-------------|-----------------------|------|---------|-------------|--|
| V15CIDMB-05 | WS15CI VALVE DN M I-B | 25   | 800     |             |  |
| V15CIDMD-05 | WS15CI VALVE DN M I-D | 25   | 800     |             |  |
| V15CIDMF-05 | WS15CI VALVE DN M I-F | 25   | 800     |             |  |
| V15CIDMG-05 | WS15CI VALVE DN M I-G | 25   | 800     |             |  |
| V15CIUMB-05 | WS15CI VALVE UP M I-B | 25   | 800     |             |  |
| V15CIUMD-05 | WS15CI VALVE UP M I-D | 25   | 800     |             |  |
| V15CIDTD-05 | WS15CI VALVE DN T I-D | 25   | 800     |             |  |
| V15CIDTF-05 | WS15CI VALVE DN T I-F | 25   | 800     |             |  |
| V15CIDTG-05 | WS15CI VALVE DN T I-G | 25   | 800     |             |  |
| V15CIBMZ-05 | WS15CI VALVE BW M I-Z | 25   | 800     |             |  |
| V15CIBTZ-05 | WS15CI VALVE BW T I-Z | 25   | 800     |             |  |



## CLACK VALVE W15CI

| Ref         | Softening System/Filter | Ø Injector Tank Size | Downflow/Upflow | Meter        | Mixing Valve |
|-------------|-------------------------|----------------------|-----------------|--------------|--------------|
| V15CIDMB-05 | Softening System        | 12"                  | Downflow        | included     | Not included |
| V15CIDMD-05 | Softening System        | 14"                  | Downflow        | included     | Not included |
| V15CIDMF-05 | Softening System        | 18"                  | Downflow        | included     | Not included |
| V15CIDMG-05 | Softening System        | 21"                  | Downflow        | included     | Not included |
| V15CIUMB-05 | Softening System        | 14"                  | Upflow          | included     | Not included |
| V15CIUMD-05 | Softening System        | 18"                  | Upflow          | included     | Not included |
| V15CIDTD-05 | Softening System        | 14"                  | Downflow        | Not included | Not included |
| V15CIDTF-05 | Softening System        | 18"                  | Downflow        | Not included | Not included |
| V15CIDTG-05 | Softening System        | 21"                  | Downflow        | Not included | Not included |
| V15CIBMZ-05 | Filter                  | N/A                  | Backwash        | included     | Not included |
| V15CIBTZ-05 | Filter                  | N/A                  | Backwash        | Not included | Not included |

**NOTE:** Controls listed are priced without a power cord or transformer. For AC Adapter (Transformer) selection see "ACCESSORIES" section (V3186-XX). Drain Line Flow Controls (DLFC) washer is not included. Please order separately. For 3/4" drain fitting (V3158-04), Flow rates 0.07 - 10.0 gpm: reference order numbers V3162-007 through V3162-100. For 1" drain fitting (V3008-05), Flow rates 9.0 - 25.0 gpm: reference order numbers V3190-090 through V3190-250. For 1.25" x 1.5" drain fittings (V3079BSPT), Flow rates 9 to 85 gpm: reference order numbers V3162-007 through V3162-100, and V3190-090 through V3190-250. 50 mm Top Distributor is not included. Please order separately: reference order numbers V-D1199-04 or V-D1300. Power Rechargeable Battery Pack Option: Control Valves listed can be used with a rechargeable battery pack and custom PC board. This battery pack can be recharged with the normal transformer for applications with an unstable power grid. Price Adder 118,43 euro. Sun Battery Pack Option: Control Valves listed can be used with a rechargeable battery pack and custom PC board. This battery pack can be recharged with a solar panel for applications with no electrical power. Price Adder 183,02 euro.

| Box: WxLxH | Box: Q.ty | Box: Weight | Pallet: WxLxH | Pallet: Q.ty | Pallet: Weight |
|------------|-----------|-------------|---------------|--------------|----------------|
|            | 1         |             |               |              |                |

| Certificates        | Manufacturer | Sectors                |
|---------------------|--------------|------------------------|
| DM174-2004, ACS, CE | Clack        | Commercial, Industrial |



## CLACK VALVE WS15CI

| SPECIFIC       |                    | CONTROL VALVE FLOW RATES                              |                        |
|----------------|--------------------|---|------------------------|
| Inlet/Outlet   | 1,5" female BSPT   | Service $\Delta p$ 1 bar/15 psi drop (includes meter) | 15,9 m <sup>3</sup> /h |
| Cycles         | Up to 9            | Backwash $\Delta p$ 1.7 bar/25 psi drop               | 11,8 m <sup>3</sup> /h |
| Valve Material | Lead free brass    |   |                        |
| Regeneration   | Downflow or Upflow |   |                        |

| OPERATING PRESSURES |               | OPERATING TEMPERATURES |            |
|---------------------|---------------|------------------------|------------|
| Minimum/Maximum     | 1,4 ÷ 8,6 bar | Minimum/Maximum        | 4° ÷ 43° C |

| METER SPECIFICATIONS |                             |   |   |
|----------------------|-----------------------------|---|---|
| Accuracy             | ± 5%                        | Distributor Pilot                       | 50 mm   |
| Flow Rate Range      | 2 ÷ 248 lpm                 | Drain Line Connection Adapter Included. | 1.25" Female NPT 3/4" Male NPT Elbow          |
| Volume Range         | 0,02 ÷ 5.700 m <sup>3</sup> | Brine Line Connection Adapter Included  | 3/4" Female NPT 1/2" OD Poly Tube Compression |
| Totalizer            | 1 - 99.000 m <sup>3</sup>   | Mounting Base                           | 4" - 8 UN                                     |
|                      |                             | Height From Top Of Tank                 | 191 mm  |
|                      |                             | Shipping Weight With Meter              | 9,5 kg  |

| ELECTRICAL SPECIFICATIONS |                    | TANK APPLICATIONS |                    |
|---------------------------|--------------------|-------------------|--------------------|
| Supply Voltage            | 200V AC to 240V AC | Water Softener    | 12" ÷ 30" diameter |
| Supply Frequency          | 50/60 Hz           | Water Filter      | 12" ÷ 30" diameter |
| Output Voltage            | 15VDC              |                   |                    |
| Output Current            | 500 mA             |                   |                    |

| CYCLES OF OPERATION   |                                 |
|---|---------------------------------|
| Choose up to nine regeneration cycles, in any order, with a wide range of available values: |                                 |
| Backwash  | 1 ÷ 120 minutes                 |
| Rinse   | 1 ÷ 480 minutes                 |
| Pause (service).  | 1 ÷ 180 minutes                 |
| Brine (co-current)  | 0,1 ÷ 180 minutes               |
| Refill (softener)   | 0,05 ÷ 90,00 kg/.1 - 99 minutes |
| Refill (filter)   | 0,2 ÷ 76,0 liters               |

Options: Backwash Filter, Weather Cover

Compatible with the following typical concentrations of regenerants or chemicals: Sodium chloride, potassium chloride, potassium permanganate, sodium bisulfite, chlorine and chloramines.



## CLACK VALVE WS2EI

### CONTROL VALVE



- Transformer, Drain Line Flow Control (DLFC) washer, Top Distributor and accessories not included, to order separately
- 2" Top mount control valve suited for commercial/industrial applications
- Epoxy coated lead free brass valve body.
- Economical stainless steel optional meter assembly
- Solid state microprocessor with easy access front panel setting
- Front panel display for time of day, days until next regeneration, volume remaining, current flow rate and total volume used (Totalizer)
- Four methods to initiate regeneration; meter immediate, meter delayed, time clock delayed or pressure differential
- Optional double backwash feature offers optimum regeneration, cleaning ability and efficiency
- Fully adjustable cycle times with 6-cycle control delivers controlled backwash, downflow brining or upflow brining, slow rinse, second backwash, fast rinse, refill and downflow servi
- Coin Cell Lithium battery back-up with an 8 hour carry over
- Level VI 15-volt output DC power supply provides safe and easy installation
- Post treatment water regenerant refill
- 24 Hour Clock
- Reliable and proven DC drive
- Certified to NSF/ANSI 44, 61 and 372

| Ref        | Description          | Fam. | Subfam. | Disp. Stock |  |
|------------|----------------------|------|---------|-------------|--|
| V2EIDMA-05 | WS2EI VALVE DN M I-A | 25   | 830     |             |  |
| V2EIDMB-05 | WS2EI VALVE DN M I-B | 25   | 830     |             |  |
| V2EIDMC-05 | WS2EI VALVE DN M I-C | 25   | 830     |             |  |
| V2EIDMD-05 | WS2EI VALVE DN M I-D | 25   | 830     |             |  |
| V2EIDME-05 | WS2EI VALVE DN M I-E | 25   | 830     |             |  |
| V2EIDMF-05 | WS2EI VALVE DN M I-F | 25   | 830     |             |  |
| V2EIDMG-05 | WS2EI VALVE DN M I-G | 25   | 830     |             |  |
| V2EIUMA-05 | WS2EI VALVE UP M I-A | 25   | 830     |             |  |
| V2EIUMB-05 | WS2EI VALVE UP M I-B | 25   | 830     |             |  |
| V2EIDTA-05 | WS2EI VALVE DN T I-A | 25   | 830     |             |  |
| V2EIDTB-05 | WS2EI VALVE DN T I-B | 25   | 830     |             |  |
| V2EIDTC-05 | WS2EI VALVE DN T I-C | 25   | 830     |             |  |
| V2EIDTD-05 | WS2EI VALVE DN T I-D | 25   | 830     |             |  |
| V2EIDTE-05 | WS2EI VALVE DN T I-E | 25   | 830     |             |  |
| V2EIDTF-05 | WS2EI VALVE DN T I-F | 25   | 830     |             |  |
| V2EIDTG-05 | WS2EI VALVE DN T I-G | 25   | 830     |             |  |
| V2EIBMZ-05 | WS2EI VALVE BW M I-Z | 25   | 830     |             |  |
| V2EIBTZ-05 | WS2EI VALVE BW T I-Z | 25   | 830     |             |  |



## CLACK VALVE WS2EI

| Ref        | Softening System/Filter | Ø Bombola | Downflow/Upflow | Meter        | Mixing Valve |
|------------|-------------------------|-----------|-----------------|--------------|--------------|
| V2EIDMA-05 | Softening System        | 18"       | Downflow        | included     | Not included |
| V2EIDMB-05 | Softening System        | 21"       | Downflow        | included     | Not included |
| V2EIDMC-05 | Softening System        | 24"       | Downflow        | included     | Not included |
| V2EIDMD-05 | Softening System        | 30"       | Downflow        | included     | Not included |
| V2EIDME-05 | Softening System        | 36"       | Downflow        | included     | Not included |
| V2EIDMF-05 | Softening System        | 42"       | Downflow        | included     | Not included |
| V2EIDMG-05 | Softening System        | 48"       | Downflow        | included     | Not included |
| V2EIUMA-05 | Softening System        | 24"       | Upflow          | included     | Not included |
| V2EIUMB-05 | Softening System        | 30"       | Upflow          | included     | Not included |
| V2EIDTA-05 | Softening System        | 18"       | Downflow        | Not included | Not included |
| V2EIDTB-05 | Softening System        | 21"       | Downflow        | Not included | Not included |
| V2EIDTC-05 | Softening System        | 24"       | Downflow        | Not included | Not included |
| V2EIDTD-05 | Softening System        | 30"       | Downflow        | Not included | Not included |
| V2EIDTE-05 | Softening System        | 36"       | Downflow        | Not included | Not included |
| V2EIDTF-05 | Softening System        | 42"       | Downflow        | Not included | Not included |
| V2EIDTG-05 | Softening System        | 48"       | Downflow        | Not included | Not included |
| V2EIBMZ-05 | Filter                  | N/A       | Backwash        | included     | Not included |
| V2EIBTZ-05 | Filter                  | N/A       | Backwash        | Not included | Not included |

**NOTE:** Controls listed are priced without a power cord or transformer. For AC Adapter (Transformer) selection see "ACCESSORIES" section (V3186-XX). Drain Line Flow Controls (DLFC) washer is not included. Please order separately. For 3/4" drain fitting (V3158-04), Flow rates 0.07 - 10.0 gpm: reference order numbers V3162-007 through V3162-100. For 1" drain fitting (V3008-05), Flow rates 9.0 - 25.0 gpm: reference order numbers V3190-090 through V3190-250. For 1.5" x 1.5" drain fittings (V3080BSPT), Flow rates 9 to 85 gpm: reference order numbers V3162-007 through V3162-100, and V3190-090 through V3190-250. 50 mm Top Distributor is not included. Please order separately: reference order numbers V-D1199-04 or V-D1300. Power Rechargeable Battery Pack Option: Control Valves listed can be used with a rechargeable battery pack and custom PC board. This battery pack can be recharged with the normal transformer for applications with a unstable power grid. Price Adder 118,43 euro. Sun Battery Pack Option: Control Valves listed can be used with a rechargeable battery pack and custom PC board. This battery pack can be recharged with a solar panel for applications with no electrical power. Price Adder 183,02 euro.

| Box: WxLxH | Box: Q.ty | Box: Weight | Pallet: WxLxH | Pallet: Q.ty | Pallet: Weight |
|------------|-----------|-------------|---------------|--------------|----------------|
|            | 1         |             |               |              |                |

| Certificates        | Manufacturer | Sectors                |
|---------------------|--------------|------------------------|
| DM174-2004, ACS, CE | Clack        | Commercial, Industrial |



## CLACK VALVE WS2EI

| SPECIFIC       |                    | CONTROL VALVE FLOW RATES                |                        |
|----------------|--------------------|---|------------------------|
| Inlet/Outlet   | 2" female BSPT     | Service $\Delta p$ 1 bar/15 psi drop    | 26,1 m <sup>3</sup> /h |
| Cycles         | Up to 6            | Backwash $\Delta p$ 1.7 bar/25 psi drop | 18,2 m <sup>3</sup> /h |
| Valve Material | Lead free brass    | Cv Service                              | 29,7                   |
| Regeneration   | Downflow or Upflow | Cv Backwash                             | 16,0                   |

| OPERATING PRESSURES |               | OPERATING TEMPERATURES |            |
|---------------------|---------------|------------------------|------------|
| Minimum/Maximum     | 1,4 ÷ 8,6 bar | Minimum/Maximum        | 4° ÷ 43° C |

| METER SPECIFICATIONS |                                  |                              |   |
|----------------------|----------------------------------|------------------------------|---|
| Accuracy             | ± 5%                             | Distributor Pilot            | 50 mm   |
| Flow Rate Range      | 5,7 ÷ 568 lpm                    | Drain Line Connection        | 1,5" Female NPT   |
| Volume Range         | 0,02 ÷ 5.700 m <sup>3</sup>      | Brine Line Adapters Included | 1" Male NPT elbow, ¾" x 1" solvent weld elbow and 1/2" OD Poly Tube Compression |
| Totalizer.           | 0,001 - 4.294.000 m <sup>3</sup> | Mounting Base                | 4" - 8 UN   |
|                      |                                  | Height From Top Of Tank      | 216 mm  |
|                      |                                  | Shipping Weight With Meter   | 13 kg   |

| ELECTRICAL SPECIFICATIONS |                    | TANK APPLICATIONS |                    |
|---------------------------|--------------------|-------------------|--------------------|
| Supply Voltage            | 200V AC to 240V AC | Water Softener    | 12" ÷ 48" diameter |
| Supply Frequency          | 50/60 Hz           | Water Filter      | 12" ÷ 36" diameter |
| Output Voltage            | 15VDC              |                   |                    |
| Output Current            | 500 mA             |                   |                    |

| CYCLES OF OPERATION                               |                                |
|---|--------------------------------|
| Backwash 1st (upflow)                             | 1 ÷ 95 minutes - Backwash 1-95 |
| Regenerate Draw/Slow Rinse (downflow)             | 1 ÷ 180 minutes - Rinse 1-95   |
| Backwash 2nd (upflow)                             | 1 ÷ 95 minutes                 |
| Fast Rinse (downflow)                             | 1 ÷ 95 minutes                 |
| Regenerant Refill (in service with treated water) | 0,1 ÷ 99 minutes               |
| Service (downflow)                                |                                |

Options: Backwash Filter, Weather Cover

Compatible with the following typical concentrations of regenerants or chemicals: Sodium chloride, potassium chloride, potassium permanganate, sodium bisulfite, chlorine and chloramines



## CLACK VALVE WS2EI QC

### CONTROL VALVE



- Single valve, available also for twin alternating, twin parallel and multitank systems
- Transformer, Drain Line Flow Control (DLFC) washer, Top Distributor and accessories not included, to order separately
- 2" top mount or side mount control valve suited for commercial/industrial applications
- Epoxy coated lead free brass valve body
- Economical stainless steel optional meter assembly
- Solid state microprocessor with easy access front panel settings
- Front panel display for time of day, days until next regeneration, volume remaining, current flow rate and total volume used (Totalizer)
- Four methods to initiate regeneration; meter immediate, meter delayed, time clock delayed or pressure differential
- Optional double backwash feature offers optimum regeneration, cleaning ability and efficiency
- Fully adjustable cycle times with 6-cycle control delivers controlled backwash, downflow brining or upflow brining, slow rinse, second backwash, fast rinse, refill and downflow service
- Coin Cell Lithium battery back-up with an 8 hour carry over
- Level VI 15-volt output DC power supply provides safe and easy installation
- Post treated water regenerant refill
- 24 Hour Clock
- Certified to NSF/ANSI 44, 61 and 372

| Ref        | Description             | Fam. | Subfam. | Disp. Stock |  |
|------------|-------------------------|------|---------|-------------|--|
| V2EIDMA-18 | WS2EI VALVE DN M I-A QC | 25   | 830     |             |  |
| V2EIDMB-18 | WS2EI VALVE DN M I-B QC | 25   | 830     |             |  |
| V2EIDMC-18 | WS2EI VALVE DN M I-C QC | 25   | 830     |             |  |
| V2EIDMD-18 | WS2EI VALVE DN M I-D QC | 25   | 830     |             |  |
| V2EIDME-18 | WS2EI VALVE DN M I-E QC | 25   | 830     |             |  |
| V2EIDMF-18 | WS2EI VALVE DN M I-F QC | 25   | 830     |             |  |
| V2EIDMG-18 | WS2EI VALVE DN M I-G QC | 25   | 830     |             |  |
| V2EIUMA-18 | WS2EI VALVE UP M I-A QC | 25   | 830     |             |  |
| V2EIUMB-18 | WS2EI VALVE UP M I-B QC | 25   | 830     |             |  |
| V2EIDTA-18 | WS2EI VALVE DN T I-A QC | 25   | 830     |             |  |
| V2EIDTB-18 | WS2EI VALVE DN T I-B QC | 25   | 830     |             |  |
| V2EIDTC-18 | WS2EI VALVE DN T I-C QC | 25   | 830     |             |  |
| V2EIDTD-18 | WS2EI VALVE DN T I-D QC | 25   | 830     |             |  |
| V2EIDTE-18 | WS2EI VALVE DN T I-E QC | 25   | 830     |             |  |
| V2EIDTF-18 | WS2EI VALVE DN T I-F QC | 25   | 830     |             |  |
| V2EIDTG-18 | WS2EI VALVE DN T I-G QC | 25   | 830     |             |  |
| V2EIBMZ-18 | WS2EI VALVE BW M I-Z QC | 25   | 830     |             |  |
| V2EIBTZ-18 | WS2EI VALVE BW T I-Z QC | 25   | 830     |             |  |

**When using the WS2EI/QC Control Valve, one of the following Tank Base Assemblies must be ordered, to complete the Control Valve:**

| Ref          | Description                                | Fam. | Subfam. | Disp. Stock |  |
|--------------|--|------|---------|-------------|--|
| V3064        | WS2H/2 QC 4" BASE ASSEMBLY                 | 25   | 850     |             |  |
| V3055        | WS2H/2 QC 6" FLANGE BASE ASSEMBLY          | 25   | 850     |             |  |
| V3260BSPT-02 | WS2H/2 QC 2" SIDE MOUNT BASE ASSEMBLY BSPT | 25   | 850     |             |  |





## CLACK VALVE WS2EI QC

| Ref        | Softening System/Filter | Ø Injector Tank Size | Downflow/Upflow | Meter        | Mixing Valve |
|------------|-------------------------|----------------------|-----------------|--------------|--------------|
| V2EIDMA-18 | Softening System        | 18"                  | Downflow        | included     | Not included |
| V2EIDMB-18 | Softening System        | 21"                  | Downflow        | included     | Not included |
| V2EIDMC-18 | Softening System        | 24"                  | Downflow        | included     | Not included |
| V2EIDMD-18 | Softening System        | 30"                  | Downflow        | included     | Not included |
| V2EIDME-18 | Softening System        | 36"                  | Downflow        | included     | Not included |
| V2EIDMF-18 | Softening System        | 42"                  | Downflow        | included     | Not included |
| V2EIDMG-18 | Softening System        | 48"                  | Downflow        | included     | Not included |
| V2EIUMA-18 | Softening System        | 24"                  | Upflow          | included     | Not included |
| V2EIUMB-18 | Softening System        | 30"                  | Upflow          | included     | Not included |
| V2EIDTA-18 | Softening System        | 18"                  | Downflow        | Not included | Not included |
| V2EIDTB-18 | Softening System        | 21"                  | Downflow        | Not included | Not included |
| V2EIDTC-18 | Softening System        | 24"                  | Downflow        | Not included | Not included |
| V2EIDTD-18 | Softening System        | 30"                  | Downflow        | Not included | Not included |
| V2EIDTE-18 | Softening System        | 36"                  | Downflow        | Not included | Not included |
| V2EIDTF-18 | Softening System        | 42"                  | Downflow        | Not included | Not included |
| V2EIDTG-18 | Softening System        | 48"                  | Downflow        | Not included | Not included |
| V2EIBMZ-18 | Filter                  | N/A                  | Backwash        | included     | Not included |
| V2EIBTZ-18 | Filter                  | N/A                  | Backwash        | Not included | Not included |

**NOTE:** Controls listed are priced without a power cord or transformer. For AC Adapter (Transformer) selection see "ACCESSORIES" section (V3186-XX). Drain Line Flow Controls (DLFC) washer is not included. Please order separately. For 3/4" drain fitting (V3158-04), Flow rates 0.07 - 10.0 gpm: reference order numbers V3162-007 through V3162-100. For 1" drain fitting (V3008-05), Flow rates 9.0 - 25.0 gpm: reference order numbers V3190-090 through V3190-250. For 1.5" x 1.5" drain fittings (V3080BSPT), Flow rates 9 to 85 gpm: reference order numbers V3162-007 through V3162-100, and V3190-090 through V3190-250. 63 mm Top Distributor is not included. Please order separately: reference order numbers V-D1199-05 or V-D1200-04. Power Rechargeable Battery Pack Option: Control Valves listed can be used with a rechargeable battery pack and custom PC board. This battery pack can be recharged with the normal transformer for applications with an unstable power grid. Price Adder 118,43 euro. Sun Battery Pack Option: Control Valves listed can be used with a rechargeable battery pack and custom PC board. This battery pack can be recharged with a solar panel for applications with no electrical power. Price Adder 183,02 euro.

| Box: WxLxH | Box: Q.ty | Box: Weight | Pallet: WxLxH | Pallet: Q.ty | Pallet: Weight |
|------------|-----------|-------------|---------------|--------------|----------------|
|            | 1         |             |               |              |                |

| Certificates | Manufacturer | Sectors                |
|--------------|--------------|------------------------|
| ACS CE       | Clack        | Commercial, Industrial |



## CLACK VALVE WS2EIQC

| SPECIFIC       |                    | CONTROL VALVE FLOW RATES                |  |
|----------------|--------------------|---|--|
| Inlet/Outlet   | 2" female BSPT     | Service $\Delta p$ 1 bar/15 psi drop    | 473 lpm (28,4 m <sup>3</sup> /h) (125 gpm) |
| Cycles         | Up to 6            | Backwash $\Delta p$ 1.7 bar/25 psi drop | 322 lpm (19,3 m <sup>3</sup> /h) (85 gpm)  |
| Valve Material | Lead free brass    | Cv Service                              | 32,3                                       |
| Regeneration   | Downflow or Upflow | Cv Backwash                             | 17,0                                       |

| OPERATING PRESSURES |               | OPERATING TEMPERATURES |            |
|---------------------|---------------|------------------------|------------|
| Minimum/Maximum     | 1,4 ÷ 8,6 bar | Minimum/Maximum        | 4° ÷ 43° C |

| METER SPECIFICATIONS |                                  |  |   |
|----------------------|----------------------------------|--|---|
| Accuracy             | ± 5%                             | Distributor Pilot                              | 63 mm   |
| Flow Rate Range      | 5,7 ÷ 568 lpm                    | Drain line connection                          | 1,5" Female NPT   |
| Volume Range         | 0,02 ÷ 5.700 m <sup>3</sup>      | Brine Line Adapters Included                   | 1" Male NPT elbow, ¾" x 1" solvent weld elbow and 1/2" OD Poly Tube Compression |
| Totalizer            | 0,001 - 4.294.000 m <sup>3</sup> | Mounting Base                                  | 4" - 8 UN, 6" Flange or Side Mount  |
|                      |                                  | Height From Top Of Tank with 4" - 8 UN QC Base | 284,5 mm  |
|                      |                                  | Height From Top Of Tank with 6" Flange QC Base | 287,0 mm  |
|                      |                                  | Weight   | 14 kg   |

| ELECTRICAL SPECIFICATIONS |                    | TANK APPLICATIONS |                    |
|---------------------------|--------------------|-------------------|--------------------|
| Supply Voltage            | 200V AC to 240V AC | Water Softener    | 12" ÷ 48" diameter |
| Supply Frequency          | 50/60 Hz           | Water Filter      | 12" ÷ 36" diameter |
| Output Voltage            | 15VDC              |                   |                    |
| Output Current            | 500 mA             |                   |                    |

| CYCLES OF OPERATION                               |                  |
|---|------------------|
| Backwash 1st (upflow)                             | 1 ÷ 95 minutes   |
| Regenerate Draw/Slow Rinse (downflow)             | 1 ÷ 180 minutes  |
| Backwash 2nd (upflow)                             | 1 ÷ 95 minutes   |
| Fast Rinse (downflow)                             | 1 ÷ 95 minutes   |
| Regenerant Refill (in service with treated water) | 0,1 ÷ 99 minutes |
| Service (downflow)                                |                  |

Options: Backwash Filter, Weather Cover

Compatible with the following typical concentrations of regenerants or chemicals: Sodium chloride, potassium chloride, potassium permanganate, sodium bisulfite, chlorine and chloramines.



## CLACK VALVE WS2CI

### CONTROL VALVE



- Transformer, Drain Line Flow Control (DLFC) washer, Top Distributor and accessories not included, to order separately
- 2" Top mount control valve suited for commercial/industrial applications
- Epoxy coated lead free brass valve body
- Economical stainless steel optional meter assembly
- Solid state microprocessor with easy access front panel settings Front panel display for time of day, days until next regeneration, volume remaining and current flow rate
- Four methods to initiate regeneration; meter immediate, meter delayed, time clock delayed or pressure differential
- Program in ppm, French degrees, German degrees, or cubic meters
- Fully programmable regeneration cycle sequence (maximum 9)
- Programmable regeneration cycle times
- Days override feature; 1-28 days available
- Coin Cell Lithium battery back-up with an 24 hour carry over
- Level VI 15-volt output DC power supply provides safe and easy installation
- Pre or Post treated water regenerant refill
- 24 Hour Clock
- Reliable and proven DC drive
- Certified to NSF/ANSI 44, 61 and 372

| Ref        | Description          | Fam. | Subfam. | Disp. Stock |  |
|------------|----------------------|------|---------|-------------|--|
| V2CIDMD-05 | WS2CI VALVE DN M I-D | 25   | 820     |             |  |
| V2CIDME-05 | WS2CI VALVE DN M I-E | 25   | 820     |             |  |
| V2CIDMF-05 | WS2CI VALVE DN M I-F | 25   | 820     |             |  |
| V2CIDMG-05 | WS2CI VALVE DN M I-G | 25   | 820     |             |  |
| V2CIUMA-05 | WS2CI VALVE UP M I-A | 25   | 820     |             |  |
| V2CIUMB-05 | WS2CI VALVE UP M I-B | 25   | 820     |             |  |
| V2CIDTA-05 | WS2CI VALVE DN T I-A | 25   | 820     |             |  |
| V2CIDTB-05 | WS2CI VALVE DN T I-B | 25   | 820     |             |  |
| V2CIDTC-05 | WS2CI VALVE DN T I-C | 25   | 820     |             |  |
| V2CIDTD-05 | WS2CI VALVE DN T I-D | 25   | 820     |             |  |
| V2CIDTE-05 | WS2CI VALVE DN T I-E | 25   | 820     |             |  |
| V2CIDTF-05 | WS2CI VALVE DN T I-F | 25   | 820     |             |  |
| V2CIDTG-05 | WS2CI VALVE DN T I-G | 25   | 820     |             |  |
| V2CIBMZ-05 | WS2CI VALVE BW M I-Z | 25   | 820     |             |  |
| V2CIBTZ-05 | WS2CI VALVE BW T I-Z | 25   | 820     |             |  |



## CLACK VALVE WS2CI

| Ref        | Softening System/Filter | Ø Bombola | Downflow/Upflow | Meter        | Valvola di Miscelazione |
|------------|-------------------------|-----------|-----------------|--------------|-------------------------|
| V2CIDMD-05 | Softening System        | 30"       | Downflow        | included     | Not included            |
| V2CIDME-05 | Softening System        | 36"       | Downflow        | included     | Not included            |
| V2CIDMF-05 | Softening System        | 42"       | Downflow        | included     | Not included            |
| V2CIDMG-05 | Softening System        | 48"       | Downflow        | included     | Not included            |
| V2CIUMA-05 | Softening System        | 24"       | Upflow          | included     | Not included            |
| V2CIUMB-05 | Softening System        | 30"       | Upflow          | included     | Not included            |
| V2CIDTA-05 | Softening System        | 18"       | Downflow        | Not included | Not included            |
| V2CIDTB-05 | Softening System        | 21"       | Downflow        | Not included | Not included            |
| V2CIDTC-05 | Softening System        | 24"       | Downflow        | Not included | Not included            |
| V2CIDTD-05 | Softening System        | 30"       | Downflow        | Not included | Not included            |
| V2CIDTE-05 | Softening System        | 36"       | Downflow        | Not included | Not included            |
| V2CIDTF-05 | Softening System        | 42"       | Downflow        | Not included | Not included            |
| V2CIDTG-05 | Softening System        | 48"       | Downflow        | Not included | Not included            |
| V2CIBMZ-05 | Filter                  | N/A       | Backwash        | included     | Not included            |
| V2CIBTZ-05 | Filter                  | N/A       | Backwash        | Not included | Not included            |

**NOTE:** Controls listed are priced without a power cord or transformer. For AC Adapter (Transformer) selection see "ACCESSORIES" section (V3186-XX). Drain Line Flow Controls (DLFC) washer is not included. Please order separately. For 3/4" drain fitting (V3158-04), Flow rates 0.07 - 10.0 gpm: reference order numbers V3162-007 through V3162-100. For 1" drain fitting (V3008-05), Flow rates 9.0 - 25.0 gpm: reference order numbers V3190-090 through V3190-250. For 1.5" x 1.5" drain fittings (V3080BSPT), Flow rates 9 to 85 gpm: reference order numbers V3162-007 through V3162-100, and V3190-090 through V3190-250. 50 mm Top Distributor is not included. Please order separately: reference order numbers V-D1199-04 or V-D1300. Power Rechargeable Battery Pack Option: Control Valves listed can be used with a rechargeable battery pack and custom PC board. This battery pack can be recharged with the normal transformer for applications with an unstable power grid. Price Adder 118,43 euro. Sun Battery Pack Option: Control Valves listed can be used with a rechargeable battery pack and custom PC board. This battery pack can be recharged with a solar panel for applications with no electrical power. Price Adder 183,02 euro.

| Box: WxLxH | Box: Q.ty | Box: Weight | Pallet: WxLxH | Pallet: Q.ty | Pallet: Weight |
|------------|-----------|-------------|---------------|--------------|----------------|
|            | 1         |             |               |              |                |

| Certificates | Manufacturer | Sectors                |
|--------------|--------------|------------------------|
| ACS CE       | Clack        | Commercial, Industrial |



## CLACK VALVE WS2CI

| SPECIFIC       |                    | CONTROL VALVE FLOW RATES                |                        |
|----------------|--------------------|---|------------------------|
| Inlet/Outlet   | 2 female BSPT      | Service $\Delta p$ 1 bar/15 psi drop    | 26,1 m <sup>3</sup> /h |
| Cycles         | Up to 9            | Backwash $\Delta p$ 1.7 bar/25 psi drop | 18,2 m <sup>3</sup> /h |
| Valve Material | Lead free brass    | Cv Service                              | 29,7                   |
| Regeneration   | Downflow or Upflow | Cv Backwash                             | 16,0                   |

| OPERATING PRESSURES |               | OPERATING TEMPERATURES |            |
|---------------------|---------------|------------------------|------------|
| Minimum/Maximum     | 1,4 ÷ 8,6 bar | Minimum/Maximum        | 4° ÷ 43° C |

| METER SPECIFICATIONS |                             |                              |   |
|----------------------|-----------------------------|------------------------------|---|
| Accuracy             | ± 5%                        | Distributor Pilot            | 50 mm OD  |
| Flow Rate Range      | 5,7 ÷ 568 lpm               | Drain line connection        | 1,5" Female NPT   |
| Volume Range         | 0,02 ÷ 5.700 m <sup>3</sup> | Brine Line Adapters Included | 1" Male NPT elbow, 3/4" x 1" solvent weld elbow and 1/2" OD Poly Tube Compression |
| Totalizer            | 1 - 99.999 m <sup>3</sup>   | Mounting Base                | 4" - 8 UN   |
|                      |                             | Height From Top Of Tank      | 216 mm  |
|                      |                             | Shipping Weight With Meter   | 13 kg   |

| ELECTRICAL SPECIFICATIONS |                    | TANK APPLICATIONS |                    |
|---------------------------|--------------------|-------------------|--------------------|
| Supply Voltage            | 200V AC to 240V AC | Water Softener    | 12" ÷ 48" diameter |
| Supply Frequency          | 50/60 Hz           | Water Filter      | 12" ÷ 36" diameter |
| Output Voltage            | 15VDC              |                   |                    |
| Output Current            | 500 mA             |                   |                    |

| CYCLES OF OPERATION<br>Choose up to nine regeneration cycles, in any order, with a wide range of available values |                  |
|---|------------------|
| Backwash  | 1 ÷ 120 minutes  |
| Rinse   | 1 ÷ 120 minutes  |
| Pause (service)   | 1 ÷ 480 minutes  |
| Brine (co-current)  | 1 ÷ 180 minutes  |
| Refill (softener)   | 0,1 ÷ 99 minutes |
| Refill (filter)   | 0,1 ÷ 99 minutes |

Options: Backwash Filter, Weather Cover

Compatible with the following typical concentrations of regenerants or chemicals: Sodium chloride, potassium chloride, potassium permanganate, sodium bisulfite, chlorine and chloramines



## CLACK VALVE WS2CI QC

### CONTROL VALVE



- Single valve, available also for twin alternating, twin parallel and multitank systems
- Transformer, Drain Line Flow Control (DLFC) washer, Top Distributor and accessories not included, to order separately
- 2" top mount or side mount control valve suited for commercial/industrial applications
- Epoxy coated lead free brass valve body
- Economical stainless steel optional meter assembly
- Solid state microprocessor with easy access front panel settings
- Front panel display for time of day, days until next regeneration, volume remaining and current flow rate
- Four methods to initiate regeneration; meter immediate, meter delayed, time clock delayed or pressure differential
- Program in ppm, French degrees, German degrees, or cubic meters
- Fully programmable regeneration cycle sequence (maximum 9)
- Programmable regeneration cycle times
- Days override feature; 1-28 days available
- Coin Cell Lithium battery back-up with an 24 hour carry over
- Level VI 15-volt output DC power supply provides safe and easy installation
- Pre or Post treated water regenerant refill
- 24 Hour Clock
- Reliable and proven DC drive
- Certified to NSF/ANSI 44, 61 and 372

| Ref        | Description             | Fam. | Subfam. | Disp. Stock |  |
|------------|-------------------------|------|---------|-------------|--|
| V2CIDMA-18 | WS2CI VALVE DN M I-A QC | 25   | 820     |             |  |
| V2CIDMB-18 | WS2CI VALVE DN M I-B QC | 25   | 820     |             |  |
| V2CIDMC-18 | WS2CI VALVE DN M I-C QC | 25   | 820     |             |  |
| V2CIDMD-18 | WS2CI VALVE DN M I-D QC | 25   | 820     |             |  |
| V2CIDME-18 | WS2CI VALVE DN M I-E QC | 25   | 820     |             |  |
| V2CIDMF-18 | WS2CI VALVE DN M I-F QC | 25   | 820     |             |  |
| V2CIDMG-18 | WS2CI VALVE DN M I-G QC | 25   | 820     |             |  |
| V2CIUMA-18 | WS2CI VALVE UP M I-A QC | 25   | 820     |             |  |
| V2CIUMB-18 | WS2CI VALVE UP M I-B QC | 25   | 820     |             |  |
| V2CIDTA-18 | WS2CI VALVE DN T I-A QC | 25   | 820     |             |  |
| V2CIDTB-18 | WS2CI VALVE DN T I-B QC | 25   | 820     |             |  |
| V2CIDTC-18 | WS2CI VALVE DN T I-C QC | 25   | 820     |             |  |
| V2CIDTD-18 | WS2CI VALVE DN T I-D QC | 25   | 820     |             |  |
| V2CIDTE-18 | WS2CI VALVE DN T I-E QC | 25   | 820     |             |  |
| V2CIDTF-18 | WS2CI VALVE DN T I-F QC | 25   | 820     |             |  |
| V2CIDTG-18 | WS2CI VALVE DN T I-G QC | 25   | 820     |             |  |
| V2CIBMZ-18 | WS2CI VALVE BW M I-Z QC | 25   | 820     |             |  |
| V2CIBTZ-18 | WS2CI VALVE BW T I-Z QC | 25   | 820     |             |  |

**When using the WS2CI/QC Control Valve, one of the following Tank Base Assemblies must be ordered, to complete the Control Valve:**

| Ref          | Description                                | Fam. | Subfam. | Disp. Stock |  |
|--------------|--|------|---------|-------------|--|
| V3064        | WS2H/2 QC 4" BASE ASSEMBLY                 | 25   | 850     |             |  |
| V3055        | WS2H/2 QC 6" FLANGE BASE ASSEMBLY          | 25   | 850     |             |  |
| V3260BSPT-02 | WS2H/2 QC 2" SIDE MOUNT BASE ASSEMBLY BSPT | 25   | 850     |             |  |



## CLACK VALVE WS2CI QC

| Ref        | Softening System/Filter | Ø Injector Tank Size | Downflow/Upflow | Meter        | Mixing Valve |
|------------|-------------------------|----------------------|-----------------|--------------|--------------|
| V2CIDMA-18 | Softening System        | 18"                  | Downflow        | included     | Not included |
| V2CIDMB-18 | Softening System        | 21"                  | Downflow        | included     | Not included |
| V2CIDMC-18 | Softening System        | 24"                  | Downflow        | included     | Not included |
| V2CIDMD-18 | Softening System        | 30"                  | Downflow        | included     | Not included |
| V2CIDME-18 | Softening System        | 36"                  | Downflow        | included     | Not included |
| V2CIDMF-18 | Softening System        | 42"                  | Downflow        | included     | Not included |
| V2CIDMG-18 | Softening System        | 48"                  | Downflow        | included     | Not included |
| V2CIUMA-18 | Softening System        | 24"                  | Upflow          | included     | Not included |
| V2CIUMB-18 | Softening System        | 30"                  | Upflow          | included     | Not included |
| V2CIDTA-18 | Softening System        | 18"                  | Downflow        | Not included | Not included |
| V2CIDTB-18 | Softening System        | 21"                  | Downflow        | Not included | Not included |
| V2CIDTC-18 | Softening System        | 24"                  | Downflow        | Not included | Not included |
| V2CIDTD-18 | Softening System        | 30"                  | Downflow        | Not included | Not included |
| V2CIDTE-18 | Softening System        | 36"                  | Downflow        | Not included | Not included |
| V2CIDTF-18 | Softening System        | 42"                  | Downflow        | Not included | Not included |
| V2CIDTG-18 | Softening System        | 48"                  | Downflow        | Not included | Not included |
| V2CIBMZ-18 | Filter                  | N/A                  | Backwash        | included     | Not included |
| V2CIBTZ-18 | Filter                  | N/A                  | Backwash        | Not included | Not included |

**NOTE:** Controls listed are priced without a power cord or transformer. For AC Adapter (Transformer) selection see "ACCESSORIES" section (V3186-XX). Drain Line Flow Controls (DLFC) washer is not included. Please order separately. For 3/4" drain fitting (V3158-04), Flow rates 0.07 - 10.0 gpm: reference order numbers V3162-007 through V3162-100. For 1" drain fitting (V3008-05), Flow rates 9.0 - 25.0 gpm: reference order numbers V3190-090 through V3190-250. For 1.5" x 1.5" drain fittings (V3080BSPT), Flow rates 9 to 85 gpm: reference order numbers V3162-007 through V3162-100, and V3190-090 through V3190-250. 63 mm Top Distributor is not included. Please order separately: reference order numbers V-D1199-05 or V-D1200-04. Power Rechargeble Battery Pack Option: Control Valves listed can be used with a rechargeble battery pack and custom PC board. This battery pack can be recharged with the normal transformer for applications with a unstable power grid. Price Adder 118,43 euro. Sun Battery Pack Option: Control Valves listed can be used with a rechargeble battery pack and custom PC board. This battery pack can be recharged with a solar panel for applications with no electrical power. Price Adder 183,02 euro

| Box: WxLxH | Box: Q.ty | Box: Weight | Pallet: WxLxH | Pallet: Q.ty | Pallet: Weight |
|------------|-----------|-------------|---------------|--------------|----------------|
|            | 1         |             |               |              |                |

| Certificates | Manufacturer | Sectors                |
|--------------|--------------|------------------------|
| ACS CE       | Clack        | Commercial, Industrial |



## CLACK VALVE WS2CIQC

| SPECIFIC       |                    | CONTROL VALVE FLOW RATES                |                        |
|----------------|--------------------|---|------------------------|
| Inlet/Outlet   | 2" female BSPT     | Service $\Delta p$ 1 bar/15 psi drop    | 28,4 m <sup>3</sup> /h |
| Cycles         | Up to 9            | Backwash $\Delta p$ 1.7 bar/25 psi drop | 19,3 m <sup>3</sup> /h |
| Valve Material | Lead free brass    | Cv Service                              | 32,3                   |
| Regeneration   | Downflow or Upflow | Cv Backwash                             | 17,0                   |

| OPERATING PRESSURES |               | OPERATING TEMPERATURES |            |
|---------------------|---------------|------------------------|------------|
| Minimum/Maximum     | 1,4 ÷ 8,6 bar | Minimum/Maximum        | 4° ÷ 43° C |

| METER SPECIFICATIONS |                             |  |   |
|----------------------|-----------------------------|--|---|
| Accuracy             | ± 5%                        | Distributor Pilot  | 63 mm OD  |
| Flow Rate Range      | 5,7 ÷ 568 lpm               | Drain line connection  | 1,5" Female NPT   |
| Volume Range         | 0,02 ÷ 5.700 m <sup>3</sup> | Brine Line Adapters Included   | 3/4"x 1" solvent weld elbow and 1/2" OD Poly Tube Compression |
| Totalizer            | 1 - 99.999 m <sup>3</sup>   | Mounting Base  | 4" - 8 UN, 6" Flange or Side Mount                            |
|                      |                             | Height From Top Of Tank with 4" - 8 UN QC Base<br>Height From Top Of Tank with 6" Flange QC Base | 284,5 mm<br>287,0 mm  |
|                      |                             | Weight   | 14 kg   |

| ELECTRICAL SPECIFICATIONS |                    | TANK APPLICATIONS |                    |
|---------------------------|--------------------|-------------------|--------------------|
| Supply Voltage            | 200V AC to 240V AC | Water Softener    | 12" ÷ 48" diameter |
| Supply Frequency          | 50/60 Hz           | Water Filter      | 12" ÷ 36" diameter |
| Output Voltage            | 15VDC              |                   |                    |
| Output Current            | 500 mA             |                   |                    |

| CYCLES OF OPERATION   |                  |
|---|------------------|
| Choose up to nine regeneration cycles, in any order, with a wide range of available values: Cycle |                  |
| Backwash  | 1 ÷ 120 minutes  |
| Rinse   | 1 ÷ 120 minutes  |
| Pause (service)   | 1 ÷ 480 minutes  |
| Brine (co-current)  | 1 ÷ 180 minutes  |
| Refill (softener)   | 0,1 ÷ 99 minutes |
| Refill (filter)   | 0,1 ÷ 99 minutes |

Options: Backwash Filter, Weather Cover

Compatible with the following typical concentrations of regenerants or chemicals: Sodium chloride, potassium chloride, potassium permanganate, sodium bisulfite, chlorine and chloramines.





## CLACK VALVE WS2H



### CONTROL VALVE

- 2" top mount or side mount control valve suited for industrial applications
  - Transformer, Drain Line Flow Control (DLFC) washer, Top Distributor and accessories not included, to order separately
  - Epoxy coated lead free brass valve body
  - Built-in Internal Flow Meter standard with all valves
  - Solid state microprocessor with easy access front removable POD
  - Front panel display for Time of Day, Current Flow Rate, Totalizer and Volume/Days until Regeneration
  - Four methods to initiate the down flow regeneration; meter delayed, meter immediate, time clock delayed, or pressure differential
  - Fully programmable regeneration cycle sequences (maximum 9)
  - Fully programmable regeneration cycle times
  - Pre or Post treated water regenerant refill
  - Days override feature; 1-28 days available
  - Stores system configuration and operation data in nonvolatile memory
  - Capacitor back-up with a 24 hour carry over
  - Level VI 18-volt output DC power supply provides safe and easy installation
- Reliable and proven DC drive
  - Certified to NSF/ANSI 44, 61 and 372

| Ref       | Description         | Fam. | Subfam. | Disp. Stock |  |
|-----------|---------------------|------|---------|-------------|--|
| V2HDMA-05 | WS2H VALVE DN M I-A | 25   | 840     |             |  |
| V2HDMB-05 | WS2H VALVE DN M I-B | 25   | 840     |             |  |
| V2HDMC-05 | WS2H VALVE DN M I-C | 25   | 840     |             |  |
| V2HDMD-05 | WS2H VALVE DN M I-D | 25   | 840     |             |  |
| V2HDME-05 | WS2H VALVE DN M I-E | 25   | 840     |             |  |
| V2HDMF-05 | WS2H VALVE DN M I-F | 25   | 840     |             |  |
| V2HDMG-05 | WS2H VALVE DN M I-G | 25   | 840     |             |  |
| V2HDMH-05 | WS2H VALVE DN M I-H | 25   | 840     |             |  |
| V2HBMZ-05 | WS2H VALVE BW M I-Z | 25   | 840     |             |  |

**When using the WS2H Control Valve, one of the following Tank Base Assemblies must be ordered, to complete the Control Valve:**

| Ref          | Description                                | Fam. | Subfam. | Disp. Stock |  |
|--------------|--|------|---------|-------------|--|
| V3064        | WS2H/2 QC 4" BASE ASSEMBLY                 | 25   | 850     |             |  |
| V3055        | WS2H/2 QC 6" FLANGE BASE ASSEMBLY          | 25   | 850     |             |  |
| V3260BSPT-02 | WS2H/2 QC 2" SIDE MOUNT BASE ASSEMBLY BSPT | 25   | 850     |             |  |



## CLACK VALVE WS2H

| Ref       | Softening System/Filter | Ø Injector Tank Size | Downflow/Upflow | Meter        | Mixing Valve |
|-----------|-------------------------|----------------------|-----------------|--------------|--------------|
| V2HDMA-05 | Softening System        | 12"                  | Downflow        | included     | Not included |
| V2HDMB-05 | Softening System        | 14"                  | Downflow        | included     | Not included |
| V2HDMC-05 | Softening System        | 18"                  | Downflow        | included     | Not included |
| V2HDMD-05 | Softening System        | 21"                  | Downflow        | included     | Not included |
| V2HDME-05 | Softening System        | 14"                  | Upflow          | included     | Not included |
| V2HDMF-05 | Softening System        | 18"                  | Upflow          | included     | Not included |
| V2HDMG-05 | Softening System        | 14"                  | Downflow        | Not included | Not included |
| V2HDMH-05 | Softening System        | 18"                  | Downflow        | Not included | Not included |
| V2HBMZ-05 | Softening System        | 21"                  | Downflow        | Not included | Not included |

**NOTE:** All WS2H Control Valves listed above come standard with a V3162-022, 2.2 gpm Brine Line Flow Control (BLFC). Other sizes are available. Controls listed are priced without a power cord or transformer. For AC Adapter (Transformer) selection see "ACCESSORIES" section (V3461XX-01). Drain Line Flow Controls (DLFC) washer is not included. Please order separately. The V3051BSPT DLFC Assembly BSPT is capable of up to 4 - V3190-XXX Flow Controls and 5 - V3162-XXX Flow Controls for a total flow rate of 150 gpm. For 3/4" DLFC buttons, reference order numbers V3162-007 through V3162-100. For 1" DLFC buttons, reference order numbers V3190-090 through V3190-250. 63 mm Top Distributor is not included. Please order separately: reference order numbers V-D1199-05 or V-D1200-04.

| Box: WxLxH | Box: Q.ty | Box: Weight | Pallet: WxLxH | Pallet: Q.ty | Pallet: Weight |
|------------|-----------|-------------|---------------|--------------|----------------|
|            | 1         |             |               |              |                |

| Certificates | Manufacturer | Sectors    |
|--------------|--------------|------------|
| ACS CE       | Clack        | Industrial |



## CLACK VALVE WS2H

| SPECIFIC       |                                    | CONTROL VALVE FLOW RATES                              |                        |
|----------------|------------------------------------|---|------------------------|
| Inlet/Outlet   | 2" female BSPT or 2.5" Groove Lock | Service $\Delta p$ 15 psi/1 bar drop (includes meter) | 28,4 m <sup>3</sup> /h |
| Cycles         | Up to 9                            | Backwash $\Delta p$ 25 psi/1.7 bar drop               | 28,4 m <sup>3</sup> /h |
| Valve Material | Lead free brass                    | Cv Service  | 32,3                   |
| Regeneration   | Downflow                           | Cv Backwash   | 25,0                   |

| OPERATING PRESSURES |               | OPERATING TEMPERATURES |            |
|---------------------|---------------|------------------------|------------|
| Minimum/Maximum     | 1,4 ÷ 8,6 bar | Minimum/Maximum        | 4° ÷ 43° C |

| METER SPECIFICATIONS |                                |  |  |
|----------------------|--------------------------------|--|--|
| Accuracy             | ± 5%                           | Distributor Pilot  | 63 mm OD   |
| Flow Rate Range      | 5,7 ÷ 743 lpm                  | Drain line connection  | 2" Female BSPT   |
| Volume Range         | 0,038 ÷ 3.796 m <sup>3</sup>   | Brine Line Adapters Included   | 1" Male NPT elbow and 3/4" x 1" solvent weld elbow 1/2" or 5/8" OD Poly Tube Compression |
| Totalizer            | 3,8 - 3.785.000 m <sup>3</sup> | Mounting Base  | 4" - 8 UN6" Flange or Side Mount   |
|                      |                                | Height From Top Of Tank with 4" - 8 UN QC Base<br>Height From Top Of Tank with 6" Flange QC Base | 292,0 mm<br>294,6 mm   |
|                      |                                | Shipping Weight With Internal Meter  | 22,7 kg  |

| ELECTRICAL SPECIFICATIONS |                    | TANK APPLICATIONS |                    |
|---------------------------|--------------------|-------------------|--------------------|
| Supply Voltage            | 200V AC to 240V AC | Water Softener    | 18" ÷ 63" diameter |
| Supply Frequency          | 50/60 Hz           | Water Filter      | 18" ÷ 48" diameter |
| Output Voltage            | 15VDC              |                   |                    |
| Output Current            | 500 mA             |                   |                    |

| CYCLES OF OPERATION   |                  |
|---|------------------|
| Choose up to nine regeneration cycles, in any order, with a wide range of available values: Cycle |                  |
| Backwash  | 1 ÷ 95 minutes   |
| Brine (draw)  | 1 ÷ 180 minutes  |
| Slow Rinse  | 1 ÷ 95 minutes   |
| Fast Rinse  | 1 ÷ 95 minutes   |
| Refill  | 0,1 ÷ 99 minutes |
| Hold (service)  | 1 - 480 minutes  |

Options: Backwash Filter, Weather Cover

Compatible with the following typical concentrations of regenerants or chemicals: Sodium chloride, potassium chloride, potassium permanganate, sodium bisulfite, chlorine and chloramines.



## CLACK VALVE WS3

### CONTROL VALVE



- 3" top mount or side mount control valve suited for industrial applications
- Transformer, Drain Line Flow Control (DLFC) washer, Top Distributor and accessories not included, to order separately;
- Epoxy coated lead free brass valve body;
- Economical stainless steel optional meter assembly;
- Built-in Internal Flow Meter standard with all valves;
- Solid state microprocessor with easy access front removable POD;
- Front panel display for Time of Day, Current Flow Rate, Totalizer and Volume/Days until Regeneration
- Four methods to initiate the down flow regeneration; meter delayed, meter immediate, time clock delayed, or pressure differential
- Fully programmable regeneration cycle sequences (maximum 9)
- Fully programmable regeneration cycle times
- Pre or Post treated water regenerant refill
- Days override feature; 1-28 days available
- Stores system configuration and operation data in nonvolatile memory
- Capacitor back-up with a 24 hour carry over
- Level VI 18-volt output DC power supply provides safe and easy installation
- Reliable and proven DC drive
- Certified to NSF/ANSI 44, 61 and 372

| Ref      | Description        | Fam. | Subfam. | Disp. Stock |  |
|----------|--------------------|------|---------|-------------|--|
| V3DTA-05 | WS3 VALVE DN T I-A | 25   | 845     |             |  |
| V3DTB-05 | WS3 VALVE DN T I-B | 25   | 845     |             |  |
| V3DTC-05 | WS3 VALVE DN T I-C | 25   | 845     |             |  |
| V3DTD-05 | WS3 VALVE DN T I-D | 25   | 845     |             |  |
| V3DTE-05 | WS3 VALVE DN T I-E | 25   | 845     |             |  |
| V3DTF-05 | WS3 VALVE DN T I-F | 25   | 845     |             |  |
| V3DTG-05 | WS3 VALVE DN T I-G | 25   | 845     |             |  |
| V3DTH-05 | WS3 VALVE DN T I-H | 25   | 845     |             |  |
| V3BTZ-05 | WS3 VALVE BW T I-Z | 25   | 845     |             |  |

**When using the WS3 Control Valve, one of the following Tank Base Assemblies must be ordered, to complete the Control Valve:**

| Ref          | Description                       | Fam. | Subfam. | Disp. Stock |  |
|--------------|-----------------------------------|------|---------|-------------|--|
| V3090        | WS3 6" FLANGE BASE ASSEMBLY       | 25   | 850     |             |  |
| V3674BSPT-02 | WS3 SIDE MOUNT BASE ASSEMBLY BSPT | 25   | 850     |             |  |



## CLACK VALVE WS3

| Ref      | Softening System/Filter | Ø Injector Tank Size | Downflow/Upflow | Meter        | Mixing Valve |
|----------|-------------------------|----------------------|-----------------|--------------|--------------|
| V3DTA-05 | Softening System        | 18"                  | Downflow        | Not included | Not included |
| V3DTB-05 | Softening System        | 21"                  | Downflow        | Not included | Not included |
| V3DTC-05 | Softening System        | 24"                  | Downflow        | Not included | Not included |
| V3DTD-05 | Softening System        | 30"                  | Downflow        | Not included | Not included |
| V3DTE-05 | Softening System        | 36"                  | Downflow        | Not included | Not included |
| V3DTF-05 | Softening System        | 42"                  | Downflow        | Not included | Not included |
| V3DTG-05 | Softening System        | 48"                  | Downflow        | Not included | Not included |
| V3DTH-05 | Softening System        | 63"                  | Downflow        | Not included | Not included |
| V3BTZ-05 | Filter                  | N/A                  | Backwash        | Not included | Not included |

**NOTE:** All WS3 Control Valves listed above come standard with a V3162-022, 2.2 gpm Brine Line Flow Control (BLFC). Other sizes are available. Controls listed are priced without a power cord or transformer. For AC Adapter (Transformer) selection see "ACCESSORIES" section (V3461XX-01). Drain Line Flow Controls (DLFC) washer is not included. Please order separately. For the 3" drain fittings (V3764BSPT), Flow rates 9 to 225 gpm: uses up to 9 of the 1" DLFC buttons, reference order numbers V3190-090 through V3190-250. 90 mm Top Distributor is not included. Please order separately.

| Box: WxLxH | Box: Q.ty | Box: Weight | Pallet: WxLxH | Pallet: Q.ty | Pallet: Weight |
|------------|-----------|-------------|---------------|--------------|----------------|
|            | 1         |             |               |              |                |

| Certificates | Manufacturer | Sectors    |
|--------------|--------------|------------|
| ACS CE       | Clack        | Industrial |



## CLACK VALVE WS3

| SPECIFIC       |                 | CONTROL VALVE FLOW RATES                |                        |
|----------------|-----------------|---|------------------------|
| Inlet/Outlet   | 3" female BSPT  | Service $\Delta p$ 15 psi/1 bar drop    | 56,8 m <sup>3</sup> /h |
| Cycles         | Up to 9         | Backwash $\Delta p$ 25 psi/1.7 bar drop | 50,0 m <sup>3</sup> /h |
| Valve Material | Lead free brass | Cv Service                              | 44,6                   |
| Regeneration   | Downflow        | Cv Backwash                             | 44,0                   |

| OPERATING PRESSURES |               | OPERATING TEMPERATURES |            |
|---------------------|---------------|------------------------|------------|
| Minimum/Maximum     | 1,4 ÷ 8,6 bar | Minimum/Maximum        | 4° ÷ 43° C |

| METER SPECIFICATIONS |                                    |  |   |
|----------------------|------------------------------------|--|---|
| Accuracy             | ± 5%                               | Distributor tube O. D. diameter                | 90 mm OD  |
| Flow Rate Range      | 13,3 ÷ 1.325 lpm                   | Drain line connection                          | 3" BSPT   |
| Volume Range         | (3.786 - 3.785.407,9 liters x1000) | Brine Line Adapters Included                   | 1 Male NPT elbow and 3/4" x 1" solvent weld elbow |
|                      |                                    | Mounting Base                                  | 6" Flange or Side Mount                           |
|                      |                                    | Height From Top Of Tank with 6" Flange QC Base | 318 mm  |
|                      |                                    | Shipping Weight Without Optional Meter         | 25,9 kg   |

| ELECTRICAL SPECIFICATIONS |                    | TANK APPLICATIONS |                    |
|---------------------------|--------------------|-------------------|--------------------|
| Supply Voltage            | 200V AC to 240V AC | Water Softener    | 18" ÷ 63" diameter |
| Supply Frequency          | 50/60 Hz           | Water Filter      | 18" ÷ 63" diameter |
| Output Voltage            | 15VDC              |                   |                    |
| Output Current            | 500 mA             |                   |                    |

| CYCLES OF OPERATION  |                   |
|--|-------------------|
| Choose up to nine regeneration cycles, in any order, with a wide range of available values |                   |
| Backwash   | 1 ÷ 95 minutes    |
| Brine  | 1 ÷ 180 minutes   |
| Slow Rinse   | 1 ÷ 95 minutes    |
| Fast Rinse   | 1 ÷ 95 minutes    |
| Refill   | 0,1 ÷ 99 minutes  |
| Hold (service)   | 0,1 ÷ 480 minutes |

Options: Backwash Filter

Compatible with the following typical concentrations of regenerants or chemicals: Sodium chloride, potassium chloride, potassium permanganate, sodium bisulfite, chlorine and chloramines.



CLACK VALVE: WS1CI, WS1CI TWIN, WS1EI, WS1EI TWIN, WS1TC, WS125TC, WS125CI, WS125EI, WS15CI, WS15EI, WS2CI, WS2EI, WS2CI/QC, WS2EI/QC

## ACCESSORIES

| Ref          | Description  | Fam. | Subfam. | Disp. Stock |  |
|--------------|--|------|---------|-------------|--|
| V3006        | WS1 BYPASS ASSEMBLY                                    | 15   | 760     |             |  |
| V3007        | WS1 FITTING 1" PVC MALE NPT ELBOW ASSEMBLY             | 15   | 760     |             |  |
| V3007-01     | WS1 FITTING 3/4" X 1" PVC SOLVENT ELBOW ASSEMBLY       | 15   | 760     |             |  |
| V3007-02LF   | WS1 FITTING 1" BRASS SWEAT ASSEMBLY LF                 | 15   | 760     |             |  |
| V3007-03LF   | WS1 FITTING 3/4" BRASS SWEAT ASSEMBLY LF               | 15   | 760     |             |  |
| V3007-06     | WS1 FITTING 1" PLASTIC MALE BSPT ASSEMBLY              | 15   | 760     |             |  |
| V3007-07     | WS1 FITTING 1.25" & 1.5" PVC SOLVENT ASSEMBLY          | 15   | 760     |             |  |
| V3007-08     | WS1 FITTING 1.25" PLASTIC MALE BSPT ASSEMBLY           | 15   | 760     |             |  |
| V3007-09LF   | WS1 FITTING 1-1/4" & 1-1/2" BRASS SWEAT ASSY LF        | 15   | 760     |             |  |
| V3007-14     | WS1 FITTING 3/4" PLASTIC MALE BSPT ASSEMBLY            | 15   | 760     |             |  |
| V3007-15     | WS1 FITTING 3/4" JOHN GUEST QC ELBOW ASSEMBLY          | 15   | 760     |             |  |
| V3007-16     | WS1 FITTING 1" PVC MALE BSPT 90 ASSEMBLY               | 15   | 760     |             |  |
| V3007-17     | WS1 FITTING 1" JOHN GUEST QC ASSEMBLY                  | 15   | 760     |             |  |
| V3007-19     | WS1 FITTING 3/4" STRAIGHT JOHN GUEST QC                | 15   | 760     |             |  |
| V3008-02     | WS1 DRAIN FITTING 1" STRAIGHT W/SILENCER               | 15   | 760     |             |  |
| V3008-04     | WS1 DRAIN FITTING 1" STRAIGHT W/SILENCER               | 15   | 760     |             |  |
| V3008-05     | WS2 DRAIN FITTING 1" MALE NPT STRAIGHT W/O SILENCER    | 25   | 850     |             |  |
| V3009        | WS1 AUXILIARY MICROSWITCH ASSEMBLY                     | 15   | 760     |             |  |
| V3009        | WS1 AUXILIARY MICROSWITCH ASSEMBLY                     | 15   | 760     |             |  |
| V3009        | WS1 AUXILIARY MICROSWITCH ASSEMBLY                     | 15   | 760     |             |  |
| V3009        | WS1 AUXILIARY MICROSWITCH ASSEMBLY                     | 15   | 760     |             |  |
| V3014        | WS1 SERIES MICROSWITCH ASSEMBLY                        | 15   | 760     |             |  |
| V3017        | WS2 SERVICE OR FILL SWITCH ASSEMBLY                    | 25   | 850     |             |  |
| V3022        | WS1 STACK PULLER ASSEMBLY                              | 15   | 760     |             |  |
| V3030-01     | SYSTEM CONTROLLER BOX                                  | 15   | 760     |             |  |
| V3040BSPT    | WS1.5 METER ASSEMBLY BSPT                              | 25   | 850     |             |  |
| V3040BSPT-15 | WS1.5 METER ASSEMBLY BSPT 15 FOOT METER CABLE          | 25   | 850     |             |  |
| V3051BSPT    | WS2H/3 DLFC ASSY 2 M-BSPT X 2 F-BSPT (NO DLFC BUTTONS) | 25   | 850     |             |  |
| V3053        | WS2 2-1/2" GROOVE LOCK CLAMP ASSEMBLY                  | 25   | 850     |             |  |
| V3055        | WS2H/2 QC 6" FLANGE BASE ASSEMBLY                      | 25   | 850     |             |  |
| V3064        | WS2H/2 QC 4" BASE ASSEMBLY                             | 25   | 850     |             |  |
| V3069FF-01   | WS1/125 MAV FEMALE X FEMALE 3-WIRE                     | 15   | 760     |             |  |
| V3069MM-01   | WS1/125 MAV MALE X MALE 3-WIRE                         | 15   | 760     |             |  |



**CLACK VALVE: WS1CI, WS1CI TWIN, WS1EI, WS1EI TWIN, WS1TC, WS125TC, WS125CI, WS125EI, WS15CI, WS15EI, WS2CI, WS2EI, WS2CI/QC, WS2EI/QC**

| Ref             | Description   | Fam. | Subfam. | Disp. Stock |  |
|-----------------|---|------|---------|-------------|--|
| V3190-090       | WS1 DLFC 090 (9.0 GPM) FOR 1"   | 25   | 850     |             |  |
| V3190-100       | WS1 DLFC 100 (10.0 GPM) FOR 1"  | 25   | 850     |             |  |
| V3190-110       | WS1 DLFC 110 (11.0 GPM) FOR 1"  | 25   | 850     |             |  |
| V3190-130       | WS1 DLFC 130 (13.0 GPM) FOR 1"  | 25   | 850     |             |  |
| V3190-150       | WS1 DLFC 150 (15.0 GPM) FOR 1"  | 25   | 850     |             |  |
| V3190-170       | WS1 DLFC 170 (17.0 GPM) FOR 1"  | 25   | 850     |             |  |
| V3190-200       | WS1 DLFC 170 (17.0 GPM) FOR 1"  | 25   | 850     |             |  |
| V3190-250       | WS1 DLFC 250 (25.0 GPM) FOR 1"  | 25   | 850     |             |  |
| V3191-01        | WS1 BYPASS VERTICAL ADAPTER ASSEMBLY                                      | 15   | 760     |             |  |
| V3192           | WS1 NUT 3/4" DRAIN ELBOW (FOR 5/8" X 1/2" POLYTUBE)                       | 15   | 760     |             |  |
| V3193-02        | WS1 SERVICE SPANNER WRENCH  | 15   | 760     |             |  |
| V3260BSPT-02    | WS2H/2 QC 2" SIDE MOUNT BASE ASSEMBLY BSPT                                | 25   | 850     |             |  |
| V3467           | WS1 BY PASS INLINE ADAPTER FITTINGS                                       | 15   | 760     |             |  |
| V3474           | WS ALTERNATING CONNECTION CORD 8' BLACK FOR SINGLE METER (3 WIRE INTERCO) | 25   | 860     |             |  |
| V3475-12        | WS2H/3 SYSTEM CONNECTION CORD 12' RED                                     | 25   | 850     |             |  |
| V3475-24        | WS2H/3 SYSTEM CONNECTION CORD 24' BLUE                                    | 25   | 850     |             |  |
| V3475-36        | WS2H/3 SYSTEM CONNECTION CORD 36' YELLOW                                  | 25   | 850     |             |  |
| V3478           | WS1 INLINE BYPASS ASSEMBLY 1" BRASS SWEAT                                 | 15   | 760     |             |  |
| V3478-01        | WS1 INLINE BYPASS ASSEMBLY 3/4" BRASS SWEAT                               | 15   | 760     |             |  |
| V3783WC-A       | WS2 WEATHER COVER ALMOND  | 25   | 850     |             |  |
| V3783WC-W       | WS2 WEATHER COVER WHITE   | 25   | 850     |             |  |
| V3974WC-A       | WS15 WEATHER COVER ALMOND GENERATION 2                                    | 25   | 850     |             |  |
| V3962           | WS1 DRAIN ELBOW & RETAINER ASSY W/O SILENCER                              | 15   | 760     |             |  |
| V3974WC-W       | WS15 WEATHER COVER WHITE GENERATION 2                                     | 25   | 850     |             |  |
| V4052-01        | TT TWIN TANK INTERCONNECT KIT FOR 12"-21" TANKS                           | 15   | 760     |             |  |
| V4057           | WS1 DRAIN ELBOW & RETAINER ASSY W/SILENCER                                | 15   | 760     |             |  |
| V4099           | WS1 EXTERNAL IN-LINE MIXING VALVE   | 15   | 760     |             |  |
| V4276-15        | 15' POWER CORD  | 15   | 760     |             |  |
| V4276-36        | 36' POWER CORD  | 15   | 760     |             |  |
| V4325           | SOFTWARE CONFIGURATOR PROGRAM   | 15   | 760     |             |  |
| V-D1199-04      | TOP STACK DISTRIBUTOR 50 MM   | 25   | 850     |             |  |
| V-D1199-05      | TOP STACK DISTRIBUTOR 63 MM   | 25   | 850     |             |  |
| V-D1200-04      | TOP STACK DISTRIBUTOR 63 MM FOR FLANGE TANKS                              | 25   | 850     |             |  |
| V-D1203-03      | UPPER SCREEN 32 MM-TWIST LOCK   | 15   | 760     |             |  |
| V-D1300         | TOP BAFFLE DISTRIBUTOR 50 MM  | 25   | 850     |             |  |
| V-PKP10TS8-BULK | POLYTUBE INSERT 5/8" - "FOR DRAIN LINE WITH V3192 NUT"                    | 15   | 760     |             |  |





## CLACK VALVE: WS2H, WS3

### ACCESSORIES

| Ref          | Description  | Fam. | Subfam. | Disp. Stock |  |
|--------------|--|------|---------|-------------|--|
| V3051BSPT    | WS2H/3 DLFC ASSY 2 M-BSPT X 2 F-BSPT (NO DLFC BUTTONS) | 25   | 850     |             |  |
| V3053        | WS2 2-1/2" GROOVE LOCK CLAMP ASSEMBLY                  | 25   | 850     |             |  |
| V3055        | WS2H/2 QC 6" FLANGE BASE ASSEMBLY                      | 25   | 850     |             |  |
| V3064        | WS2H/2 QC 4" BASE ASSEMBLY                             | 25   | 850     |             |  |
| V3076BSPT    | WS2 MAV BSPT REVISION 2 (PISTON STYLE)                 | 25   | 850     |             |  |
| V3116-06     | LABEL FOR INJECTOR PLUG                                | 15   | 770     |             |  |
| V3080BSPT    | WS2 DLFC ASSY 1.5 M-NPT X 1.5 F-BSPT (NO DLFC BUTTONS) | 25   | 850     |             |  |
| V3083BSPT    | WS3 MOTORIZED ALTERNATING VALVE BSPT                   | 25   | 850     |             |  |
| V3090        | WS3 6" FLANGE BASE ASSEMBLY                            | 25   | 850     |             |  |
| V3095BSPT    | WS3 3" METER ASSEMBLY BSPT MALE X FEMALE               | 25   | 850     |             |  |
| V3095BSPT-15 | WS3 MOTORIZED ALTERNATING VALVE BSPT                   | 25   | 850     |             |  |
| V3098BSPT    | 2" NO HARD WATER BYPASS MALE X FEMALE BSPT             | 25   | 850     |             |  |
| V3099BSPT    | WS3 NO HARD WATER BYPASS MALE X FEMALE BSPT            | 25   | 850     |             |  |
| V3162-007    | WS1 DLFC 007 (0.7 GPM) FOR 3/4"                        | 15   | 760     |             |  |
| V3162-010    | WS1 DLFC 010 (1.0 GPM) FOR 3/4"                        | 15   | 760     |             |  |
| V3162-013    | WS1 DLFC 013 (1.3 GPM) FOR 3/4"                        | 15   | 760     |             |  |
| V3162-017    | WS1 DLFC 017 (1.7 GPM) FOR 3/4"                        | 15   | 760     |             |  |
| V3162-022    | WS1 DLFC 022 (2.2 GPM) FOR 3/4"                        | 15   | 760     |             |  |
| V3162-027    | WS1 DLFC 027 (2.7 GPM) FOR 3/4"                        | 15   | 760     |             |  |
| V3162-032    | WS1 DLFC 032 (3.2 GPM) FOR 3/4"                        | 15   | 760     |             |  |
| V3162-042    | WS1 DLFC 042 (4.2 GPM) FOR 3/4"                        | 15   | 760     |             |  |
| V3162-053    | WS1 DLFC 053 (5.3 GPM) FOR 3/4"                        | 15   | 760     |             |  |
| V3162-065    | WS1 DLFC 065 (6.5 GPM) FOR 3/4"                        | 15   | 760     |             |  |
| V3162-075    | WS1 DLFC 075 (7.5 GPM) FOR 3/4"                        | 15   | 760     |             |  |
| V3162-090    | WS1 DLFC 090 (9.0 GPM) FOR 3/4"                        | 15   | 760     |             |  |



## CLACK VALVE: WS2H, WS3

| Ref           | Description  | Fam. | Subfam. | Disp. Stock |  |
|---------------|--|------|---------|-------------|--|
| V3162-100     | WS1 DLFC 100 (10.0 GPM) FOR 3/4"   | 15   | 760     |             |  |
| V3190-090     | WS1 DLFC 090 (9.0 GPM) FOR 1"  | 25   | 850     |             |  |
| V3190-100     | WS1 DLFC 100 (10.0 GPM) FOR 1"   | 25   | 850     |             |  |
| V3190-110     | WS1 DLFC 110 (11.0 GPM) FOR 1"   | 25   | 850     |             |  |
| V3190-130     | WS1 DLFC 130 (13.0 GPM) FOR 1"   | 25   | 850     |             |  |
| V3190-150     | WS1 DLFC 150 (15.0 GPM) FOR 1"   | 25   | 850     |             |  |
| V3190-170     | WS1 DLFC 170 (17.0 GPM) FOR 1"   | 25   | 850     |             |  |
| V3190-200     | WS1 DLFC 170 (17.0 GPM) FOR 1"   | 25   | 850     |             |  |
| V3190-250     | WS1 DLFC 250 (25.0 GPM) FOR 1"   | 25   | 850     |             |  |
| V3260BSPT-02  | WS2H/2 QC 2" SIDE MOUNT BASE ASSEMBLY BSPT                               | 25   | 850     |             |  |
| V3243-01BOARD | WS2H/3 PC BOARD SYSTEM WITH RELAY  | 25   | 860     |             |  |
| V3461-01      | WS2H/3 AC 20V ADAPTER USA  | 25   | 850     |             |  |
| V3461EU-01    | WS2H/3 AC 20V ADAPETR EU   | 25   | 850     |             |  |
| V3461UK-01    | WS2H/3 AC 20V ADAPTER UK   | 25   | 850     |             |  |
| V3474         | WS ALTERNATING CONNECTION CORD 8' BLACK FOR SINGLE METER (3 WIRE INTERCO | 25   | 860     |             |  |
| V3475-12      | WS2H/3 SYSTEM CONNECTION CORD 12' RED                                    | 25   | 850     |             |  |
| V3475-24      | WS2H/3 SYSTEM CONNECTION CORD 24' BLUE                                   | 25   | 850     |             |  |
| V3475-36      | WS2H/3 SYSTEM CONNECTION CORD 36' YELLOW                                 | 25   | 850     |             |  |
| V3674BSPT-02  | WS1 BYPASS ROTOR SEAL RETAINER   | 25   | 850     |             |  |
| V3764BSPT     | WS3 DLFC ASSY 3 M-BSPT X 3 F-BSPT (NO DLFC BUTTONS)                      | 25   | 850     |             |  |
| V4039         | WS3 METER ASSEMBLY WITH 4' CORD  | 25   | 850     |             |  |
| V4051WC       | WS2H/3 WEATHER COVER   | 25   | 850     |             |  |
| V-D1199-05    | TOP STACK DISTRIBUTOR 63 MM  | 25   | 850     |             |  |
| V-D1200-04    | TOP STACK DISTRIBUTOR 63 MM FOR FLANGE TANKS                             | 25   | 850     |             |  |



## INJECTORS FOR VARIOUS TANK SIZES: WS1 e WS1.25 (CAN BE ORDERED SEPARATELY)

| Ref      | Description                         | Fam. | Subfam. | Disp. Stock |  |
|----------|-------------------------------------|------|---------|-------------|--|
| V3010-1A | WS1 INJECTOR ASSEMBLY A BLACK       | 15   | 770     |             |  |
| V3010-1B | WS1 INJECTOR ASSEMBLY B BROWN       | 15   | 770     |             |  |
| V3010-1C | WS1 INJECTOR ASSEMBLY C VIOLET      | 15   | 770     |             |  |
| V3010-1D | WS1 INJECTOR ASSEMBLY D RED         | 15   | 770     |             |  |
| V3010-1E | WS1 INJECTOR ASSEMBLY E WHITE       | 15   | 770     |             |  |
| V3010-1F | WS1 INJECTOR ASSEMBLY F BLUE        | 15   | 770     |             |  |
| V3010-1G | WS1 INJECTOR ASSEMBLY G YELLOW      | 15   | 770     |             |  |
| V3010-1H | WS1 INJECTOR ASSEMBLY H GREEN       | 15   | 770     |             |  |
| V3010-1I | WS1 INJECTOR ASSEMBLY I ORANGE      | 15   | 770     |             |  |
| V3010-1J | WS1 INJECTOR ASSEMBLY J LIGHT BLUE  | 15   | 770     |             |  |
| V3010-1K | WS1 INJECTOR ASSEMBLY K LIGHT GREEN | 15   | 770     |             |  |
| V3010-1Z | WS1 INJECTOR ASSEMBLY Z PLUG        | 15   | 770     |             |  |

| Ref      | Injector Color | Typical Tank Diameter Downflow Brine | Typical Tank Diameter Upflow Brine |
|----------|----------------|--------------------------------------|------------------------------------|
| V3010-1A | Black          | 6"                                   | 8"                                 |
| V3010-1B | Brown          | 7"                                   | 9"                                 |
| V3010-1C | Violet         | 8"                                   | 10"                                |
| V3010-1D | Red            | 9"                                   | 12"                                |
| V3010-1E | White          | 10"                                  | 13"                                |
| V3010-1F | Blue           | 12"                                  | 14"                                |
| V3010-1G | Yellow         | 13"                                  | 14"                                |
| V3010-1H | Green          | 14"                                  | 16"                                |
| V3010-1I | Orange         | 16"                                  | 18"                                |
| V3010-1J | Light Blue     | 18"                                  | 21"                                |
| V3010-1K | Light Green    | 21"                                  | N.A                                |
| V3010-1Z | N.A            | N.A                                  | N.A                                |

- Note: Injector Recommendations - Above injectors are for downflow brining units,
- For upflow brining units the injector should be "down-sized" two tank sizes.
- Example: A 8" downflow softener would use a "C" injector, where as a 8" upflow softener would use an "A" injector



## INJECTORS FOR VARIOUS TANK SIZES: WS1.5 (CAN BE ORDERED SEPARATELY)

| Ref       | Description                              | Fam. | Subfam. | Disp. Stock |  |
|-----------|--|------|---------|-------------|--|
| V3010-15B | WS1.5 / WS2 INJECTOR ASSEMBLY B VIOLET   | 25   | 860     |             |  |
| V3010-15C | WS1.5 / WS2 INJECTOR ASSEMBLY C RED      | 25   | 860     |             |  |
| V3010-15D | WS1.5 / WS2 INJECTOR ASSEMBLY D WHITE    | 25   | 860     |             |  |
| V3010-15E | WS1.5 / WS2 INJECTOR ASSEMBLY E BLUE     | 25   | 860     |             |  |
| V3010-15F | WS1.5 / WS2 INJECTOR ASSEMBLY F YELLOW   | 25   | 860     |             |  |
| V3010-15G | WS1.5 / WS2 INJECTOR ASSEMBLY G GREEN    | 25   | 860     |             |  |
| V3010-15H | WS1.5 / WS2 INJECTOR ASSEMBLY H ORANGE   | 25   | 860     |             |  |
| V3010-15I | WS1.5 / WS2 INJECTOR ASSEMBLY I GRAY PVC | 25   | 860     |             |  |
| V3010-15Z | WS1.5 / WS2 INJECTOR ASSEMBLY Z PLUG     | 25   | 860     |             |  |

| Ref       | Injector Color | Typical Tank Diameter/ Down Flow Brine | Typical Tank Diameter/ Up Flow Brine |
|-----------|----------------|--|--------------------------------------|
| V3010-15B | Violet         | 12"                                    | 14"                                  |
| V3010-15C | Red            | 13"                                    | 16"                                  |
| V3010-15D | White          | 14"                                    | 18"                                  |
| V3010-15E | Blue           | 16"                                    | 21"                                  |
| V3010-15F | Yellow         | 18"                                    | 24"                                  |
| V3010-15G | Green          | 21"                                    | 30"                                  |
| V3010-15H | Orange         | 24"                                    | n/a                                  |
| V3010-15I | Gray PVC       | 30"                                    | n/a                                  |
| V3010-15Z |                | n/a                                    |                                      |

**Note:** Injector Recommendations - Above injectors are for downflow brining units,

- For upflow brining units the injector should be "down-sized" two tank sizes.
- Example: A 24" downflow softener would use a "H" injector, where as a 24" upflow softener would use an "F" injector



## INJECTORS FOR VARIOUS TANK SIZES: WS2/2H/3 (CAN BE ORDERED SEPARATELY)

| Ref      | Description                  | Fam. | Subfam. | Disp. Stock |  |
|----------|------------------------------|------|---------|-------------|--|
| V3010-2A | WS2/2H/3 INJECTOR ASSEMBLY A | 25   | 860     |             |  |
| V3010-2B | WS2/2H/3 INJECTOR ASSEMBLY B | 25   | 860     |             |  |
| V3010-2C | WS2/2H/3 INJECTOR ASSEMBLY C | 25   | 860     |             |  |
| V3010-2D | WS2/2H/3 INJECTOR ASSEMBLY D | 25   | 860     |             |  |
| V3010-2E | WS2/2H/3 INJECTOR ASSEMBLY E | 25   | 860     |             |  |
| V3010-2F | WS2/2H/3 INJECTOR ASSEMBLY F | 25   | 860     |             |  |
| V3010-2G | WS2/2H/3 INJECTOR ASSEMBLY G | 25   | 860     |             |  |
| V3010-2H | WS2H/3 INJECTOR ASSEMBLY H   | 25   | 860     |             |  |

| Ref      | Injector  | Typical Tank Diameter/ Down Flow Brine | Typical Tank Diameter/ Up Flow Brine |
|----------|-----------|--|--------------------------------------|
| V3010-2A | Stamped A | 18"                                    | 24"                                  |
| V3010-2B | Stamped B | 21"                                    | 30"                                  |
| V3010-2C | Stamped C | 24"                                    | 36"                                  |
| V3010-2D | Stamped D | 30"                                    | 42"                                  |
| V3010-2E | Stamped E | 36"                                    | 48"                                  |
| V3010-2F | Stamped F | 42"                                    | n/a                                  |
| V3010-2G | Stamped G | 48"                                    | n/a                                  |
| V3010-2H | Gray PVC  | 63"                                    | n/a                                  |

**Note:** Injector Recommendations - Above injectors are for downflow brining units,

- For upflow brining units the injector should be "down-sized" two tank sizes.
- Example: A 24" downflow softener would use a "C" injector, where as a 24" upflow softener would use an "A" injector



## INJECTORS FOR VARIOUS TANK SIZES: WS2 (CAN BE ORDERED SEPARATELY)

| Ref          | Description   | Fam. | Subfam. | Disp. Stock |  |
|--------------|---|------|---------|-------------|--|
| V3010-2R-15B | WS2/WS2H INJECTOR R MODIFIED ASSEMBLY W/3010-15B (12" DOWNFLOW) | 25   | 860     |             |  |
| V3010-2S-15C | WS2/WS2H INJECTOR S MODIFIED ASSEMBLY W/3010-15C (13" DOWNFLOW) | 25   | 860     |             |  |
| V3010-2T-15D | WS2/WS2H INJECTOR T MODIFIED ASSEMBLY W/3010-15D (14" DOWNFLOW) | 25   | 860     |             |  |
| V3010-2U-15E | WS2/WS2H INJECTOR U MODIFIED ASSEMBLY W/3010-15E (16" DOWNFLOW) | 25   | 860     |             |  |
| V3010-2A     | WS2/2H/3 INJECTOR ASSEMBLY A                                    | 25   | 860     |             |  |
| V3010-2B     | WS2/2H/3 INJECTOR ASSEMBLY B                                    | 25   | 860     |             |  |
| V3010-2C     | WS2/2H/3 INJECTOR ASSEMBLY C                                    | 25   | 860     |             |  |
| V3010-2D     | WS2/2H/3 INJECTOR ASSEMBLY D                                    | 25   | 860     |             |  |
| V3010-2E     | WS2/2H/3 INJECTOR ASSEMBLY E                                    | 25   | 860     |             |  |
| V3010-2F     | WS2/2H/3 INJECTOR ASSEMBLY F                                    | 25   | 860     |             |  |
| V3010-2G     | WS2/2H/3 INJECTOR ASSEMBLY G                                    | 25   | 860     |             |  |

| Ref          | Typical Tank Diameter/ Down Flow Brine | Typical Tank Diameter/ Up Flow Brine |
|--------------|--|--------------------------------------|
| V3010-2R-15B | 12"                                    | 14"                                  |
| V3010-2S-15C | 13"                                    | 16"                                  |
| V3010-2T-15D | 14"                                    | 18"                                  |
| V3010-2U-15E | 16"                                    | 21"                                  |
| V3010-2A     | 18"                                    | 24"                                  |
| V3010-2B     | 21"                                    | 30"                                  |
| V3010-2C     | 24"                                    | 36"                                  |
| V3010-2D     | 30"                                    | 42"                                  |
| V3010-2E     | 36"                                    | 48"                                  |
| V3010-2F     | 42"                                    | n/a                                  |
| V3010-2G     | 48"                                    | n/a                                  |

**Note:** Injector Recommendations - Above injectors are for downflow brining units,

- For upflow brining units the injector should be "down-sized" two tank sizes.
- Example: A 24" downflow softener would use a "C" injector, where as a 24" upflow softener would use an "A" injector