

EUROTROL®

WATER TREATMENT COMPONENTS



MWG brine tanks

INDEX



Residential Square Brine Tank



- Made in European Union (Italy);
- Brine tank material HDPE;
- Complete with cover in ABS;
- Dimensions 380 x 380 mm, height 790 mm;
- Capacity 85 liters;
- Available multiple packaging of 30 pcs per pallet;
- EU design patent no. 003156272.

| Ref | Description | Fam. | Subfam. | Disp. Stock | |
|-----------|---|------|---------|-------------|--|
| T0085QWQA | SQUARE BRINE TANK LT 85 WHITE BODY LIGHT BLU COVER* | 045 | 220 | • | |
| T0085QWQW | SQUARE BRINE TANK WHITE BODY WHITE COVER* | 045 | 220 | • | |
| T0085QWQD | SQUARE BRINE TANK WHITE BODY BLACK COVER* | 045 | 220 | • | |

| Ref | Description | Tank colour | Cover colour |
|-----------|---|-------------|--------------|
| T0085QWQA | SQUARE BRINE TANK LT 85 WHITE BODY LIGHT BLU COVER* | White | Blue |
| T0085QWQW | SQUARE BRINE TANK WHITE BODY WHITE COVER* | White | White |
| T0085QWQD | SQUARE BRINE TANK WHITE BODY BLACK COVER* | White | Black |

| Box: WxLxH | Box: Q.ty | Box: Weight | Pallet: WxLxH | Pallet: Q.ty | Pallet: Weight |
|------------|-----------|-------------|---------------|--------------|----------------|
| | | | | | |

| Certificates | Manufacturer | Sectors |
|--------------|--------------|----------|
| | MWG | Domestic |



Accessories: Salt grid

- Made in European Union (Italy);
- Material HDPE;
- Height 200 mm;
- Hole for brine well diameter 100 mm;
- Salt gride holes 3 mm.

| Ref | Description | Fam. | Subfam. | Disp. Stock | |
|-------|-----------------------------------|------|---------|-------------|--|
| PC006 | SALT GRIDE FOR SQUARE BRINE TANK* | 045 | 230 | • | |

| Box: WxLxH | Box: Q.ty | Box: Weight | Pallet: WxLxH | Pallet: Q.ty | Pallet: Weight |
|------------|-----------|-------------|---------------|--------------|----------------|
| | | | | | |

| Certificates | Manufacturer | Sectors |
|--------------|--------------|----------|
| | MWG | Domestic |

Brine well

- Material PVC with cover;
- Diameter 100 mm;
- Height 640 mm.

| Ref | Description | Fam. | Subfam. | Disp. Stock | |
|-------|------------------------------|------|---------|-------------|--|
| PA007 | WELL FOR SQUARE BRINE TANK * | 045 | 230 | • | |

| Box: WxLxH | Box: Q.ty | Box: Weight | Pallet: WxLxH | Pallet: Q.ty | Pallet: Weight |
|------------|-----------|-------------|---------------|--------------|----------------|
| | | | | | |

| Certificates | Manufacturer | Sectors |
|--------------|--------------|----------|
| | | Domestic |



Residential Round Brine Tanks



- Made in European Union (Italy);
- Brine tanks complete with cover;
- Material PE medium density, rotomolded;
- Single or multiple packaging of 20 pcs per pallet for 100 liters and 140 liters brine tanks and 16 pcs per pallet for 190 liters brine tanks;
- Colour white opaque UVA ray resistant;
- Cover colours available: white, blue or black;
- EU design patent no. 003156272.

| Ref | Description | Fam. | Subfam. | Disp. Stock | |
|-----------|---|------|---------|-------------|--|
| T0100CWCW | BRINE TANK LT 100 WHITE BODY WITHE COVER- NEW * | 045 | 221 | • | |
| T0100CWCA | BRINE TANK LT 100 WHITE BODY LIGHT BLU COVER- NEW * | 045 | 221 | • | |
| T0100CWCD | BRINE TANK LT 100 WHITE BODY BLACK COVER - NEW * | 045 | 221 | • | |

| Ref | Capacity (liters) | Cover colour | A (mm) | B (mm) | C (mm) |
|-----------|-------------------|--------------|--------|--------|--------|
| T0100CWCW | 100 | WHITE | 460 | 616 | 565 |
| T0100CWCA | 100 | LIGHT BLU | 460 | 616 | 565 |
| T0100CWCD | 100 | BLACK | 460 | 616 | 565 |

| Box: WxLxH | Box: Q.ty | Box: Weight | Pallet: WxLxH | Pallet: Q.ty | Pallet: Weight |
|------------|-----------|-------------|---------------|--------------|----------------|
| | | | 105x105x230 | 24 | 110 |

| Certificates | Manufacturer | Sectors |
|--------------|--------------|----------------------|
| | MWG | Domestic, Commercial |

| Ref | Description | Fam. | Subfam. | Disp. Stock | |
|-----------|--|------|---------|-------------|--|
| T0140CWCW | BRINE TANK LT 140 WHITE BODY WHITE COVER- NEW* | 045 | 221 | • | |
| T0140CWCA | BRINE TANK LT 140 WHITE BODY LIGHT BLU COVER- NEW* | 045 | 221 | • | |
| T0140CWCD | BRINE TANK LT 140 WHITE BODY BLACK COVER - NEW* | 045 | 221 | • | |

| Ref | Capacity (Liters) | Cover colour | A (mm) | B (mm) | C (mm) |
|-----------|-------------------|--------------|--------|--------|--------|
| T0140CWCW | 140 | WHITE | 460 | 843 | 565 |
| T0140CWCA | 140 | LIGHT BLU | 460 | 843 | 565 |
| T0140CWCD | 140 | BLACK | 460 | 843 | 565 |

| Box: WxLxH | Box: Q.ty | Box: Weight | Pallet: WxLxH | Pallet: Q.ty | Pallet: Weight |
|------------|-----------|-------------|---------------|--------------|----------------|
| | | | 105x105x225 | 20 | 140 |

| Certificates | Manufacturer | Sectors |
|--------------|--------------|----------------------|
| | MWG | Domestic, Commercial |



| Ref | Description | Fam. | Subfam. | Disp. Stock | |
|-----------|--|------|---------|-------------|--|
| T0190CWCW | BRINE TANK LT 190 WHITE BODY WHITE COVER- NEW* | 045 | 222 | • | |
| T0190CWCA | BRINE TANK LT 190 WHITE BODY LIGHT BLU COVER- NEW* | 045 | 222 | • | |
| T0190CWCD | BRINE TANK LT 190 WHITE BODY BLACK COVER- NEW* | 045 | 222 | • | |

| Ref | Capacity (liters) | Cover color | A (mm) | B (mm) | C (mm) |
|-----------|-------------------|-------------|--------|--------|--------|
| T0190CWCW | 190 | WHITE | 460 | 1123 | 565 |
| T0190CWCA | 190 | LIGHT BLU | 460 | 1123 | 565 |
| T0190CWCD | 190 | BLACK | 460 | 1123 | 565 |

| Box: WxLxH | Box: Q.ty | Box: Weight | Pallet: WxLxH | Pallet: Q.ty | Pallet: Weight |
|------------|-----------|-------------|---------------|--------------|----------------|
| | | | 105x105x230 | 16 | 130 |

| Certificates | Manufacturer | Sectors |
|--------------|--------------|----------------------|
| | MWG | Domestic, Commercial |



Residential Round Brine Tanks

Accessories: Salt grid

- Made in European Union (Italy);
- Material PE medium density;
- Hole for brine well diameter 100 mm;
- Salt gride holes ~ 3 mm.



| Ref | Description | Fam. | Subfam. | Disp. Stock | |
|-------|--|------|---------|-------------|--|
| PC031 | SALT GRIDE FOR BRINE TANK LT 140-190 H=130 | 045 | 230 | • | |

| Ref | Description | Height (mm) | Diameter (mm) |
|-------|--|-------------|---------------|
| PC031 | SALT GRIDE FOR BRINE TANK LT 140-190 H=130 | 130 | 475 |

| Box: WxLxH | Box: Q.ty | Box: Weight | Pallet: WxLxH | Pallet: Q.ty | Pallet: Weight |
|------------|-----------|-------------|---------------|--------------|----------------|
| | | | | | |

| Certificates | Manufacturer | Sectors |
|--------------|--------------|----------|
| | MWG | Domestic |



| Ref | Description | Fam. | Subfam. | Disp. Stock | |
|-------|--|------|---------|-------------|--|
| PC032 | SALT GRIDE BRINE TANK LT 140-190 H=200 * | 045 | 230 | • | |

| Ref | Description | Height (mm) | Diameter (mm) |
|-------|--|-------------|---------------|
| PC032 | SALT GRIDE BRINE TANK LT 140-190 H=200 * | 200 | 475 |

| Box: WxLxH | Box: Q.ty | Box: Weight | Pallet: WxLxH | Pallet: Q.ty | Pallet: Weight |
|------------|-----------|-------------|---------------|--------------|----------------|
| | | | | | |

| Certificates | Manufacturer | Sectors |
|--------------|--------------|----------|
| | MWG | Domestic |



| Ref | Description | Fam. | Subfam. | Disp. Stock | |
|-------|--|------|---------|-------------|--|
| PC033 | SALT GRIDE FOR BRINE TANK LT 140-190 H=270 * | 045 | 230 | • | |

| Ref | Description | Height (mm) | Diameter (mm) |
|-------|--|-------------|---------------|
| PC033 | SALT GRIDE FOR BRINE TANK LT 140-190 H=270 * | 270 | 475 |

| Box: WxLxH | Box: Q.ty | Box: Weight | Pallet: WxLxH | Pallet: Q.ty | Pallet: Weight |
|------------|-----------|-------------|---------------|--------------|----------------|
| | | | | | |

| Certificates | Manufacturer | Sectors |
|--------------|--------------|----------|
| | MWG | Domestic |



Residential Round Brine Tanks

Brine well

- Material PVC with cover;
- Diameter 100 mm

| Ref | Description | Fam. | Subfam. | Disp. Stock | |
|-------|---|------|---------|-------------|--|
| PA075 | BRINE WELL 24" NEW JUNIOR/SURF/LINE H=520 MM* | 045 | 215 | • | |

| Ref | Description | Height (mm) | For brine tanks (liters) |
|-------|---|-------------|--------------------------|
| PA075 | BRINE WELL 24" NEW JUNIOR/SURF/LINE H=520 MM* | 520 | 100 |

| Box: WxLxH | Box: Q.ty | Box: Weight | Pallet: WxLxH | Pallet: Q.ty | Pallet: Weight |
|------------|-----------|-------------|---------------|--------------|----------------|
| | | | | | |

| Certificates | Manufacturer | Sectors |
|--------------|--------------|----------|
| | | Domestic |

| Ref | Description | Fam. | Subfam. | Disp. Stock | |
|-------|-----------------------|------|---------|-------------|--|
| PA010 | WELL DIA. 100 H=690 * | 045 | 215 | • | |

| Ref | Description | Height (mm) | For brine tanks (liters) |
|-------|-----------------------|-------------|--------------------------|
| PA010 | WELL DIA. 100 H=690 * | 690 | 140 |

| Box: WxLxH | Box: Q.ty | Box: Weight | Pallet: WxLxH | Pallet: Q.ty | Pallet: Weight |
|------------|-----------|-------------|---------------|--------------|----------------|
| | | | | | |

| Certificates | Manufacturer | Sectors |
|--------------|--------------|----------|
| | | Domestic |

| Ref | Description | Fam. | Subfam. | Disp. Stock | |
|-------|-------------------------|------|---------|-------------|--|
| PA015 | WELL DIA. 100 H = 970 * | 045 | 230 | • | |

| Ref | Description | Height (mm) | For brine tanks (liters) |
|-------|-------------------------|-------------|--------------------------|
| PA015 | WELL DIA. 100 H = 970 * | 970 | 190 |

| Box: WxLxH | Box: Q.ty | Box: Weight | Pallet: WxLxH | Pallet: Q.ty | Pallet: Weight |
|------------|-----------|-------------|---------------|--------------|----------------|
| | | | | | |

| Certificates | Manufacturer | Sectors |
|--------------|--------------|----------|
| | | Domestic |



Industrial Round Brine Tanks



- Made in European Union (Italy);
- Brine tanks complete with cover;
- Material PE medium density, rotomolded;
- Single or multiple packaging of 3 pcs per pallet;
- Colour white opaque UVA ray resistant;
- Cover colours available: white, blue or black;
- EU design patent no. 003156272.

| Ref | Description | Fam. | Subfam. | Disp. Stock | Price Euro |
|-----------|--|------|---------|-------------|------------|
| T0340CWCW | BRINE TANK LT 340 WHITE BODY WHITE COVER- NEW* | 045 | 223 | • | 184,64 |
| T0340CWCA | BRINE TANK LT 340 WHITE BODY LUGHT BLU COVER- NEW* | 045 | 223 | • | 184,64 |
| T0340CWCD | BRINE TANK LT 340 WHITE BODY BLACK COVER - NEW* | 045 | 223 | • | 184,64 |

| Ref | Capacity (liters) | Cover color | A (mm) | B (mm) | C (mm) |
|-----------|-------------------|-------------|--------|--------|--------|
| T0340CWCW | 340 | White | 594 | 1200 | 723 |
| T0340CWCA | 340 | Light Blu | 594 | 1200 | 723 |
| T0340CWCD | 340 | Black | 594 | 1200 | 723 |

| Box: WxLxH | Box: Q.ty | Box: Weight | Pallet: WxLxH | Pallet: Q.ty | Pallet: Weight |
|------------|-----------|-------------|---------------|--------------|----------------|
| | | | 80x80x215 | 3 | 40 |

| Certificates | Manufacturer | Sectors |
|--------------|--------------|------------------------|
| | MWG | Commercial, Industrial |

| Ref | Description | Fam. | Subfam. | Disp. Stock | Price Euro |
|-----------|---|------|---------|-------------|------------|
| T0460CWCW | BRINE TANK LT 460 WHITE BODY WHITE COVER - NEW* | 045 | 223 | • | 265,50 |
| T0460CWCA | BRINE TANK LT 460 WHITE BODY LIGHT BLU- NEW | 045 | 223 | • | 265,50 |
| T0460CWCD | BRINE TANK LT 460 WHITE BODY BLACK COVER - NEW* | 045 | 223 | • | 265,50 |

| Ref | Capacity (liters) | Cover color | A (mm) | B (mm) | C (mm) |
|-----------|-------------------|-------------|--------|--------|--------|
| T0460CWCW | 460 | White | 703 | 1196 | 833 |
| T0460CWCA | 460 | Light Blu | 703 | 1196 | 833 |
| T0460CWCD | 460 | Black | 703 | 1196 | 833 |

| Box: WxLxH | Box: Q.ty | Box: Weight | Pallet: WxLxH | Pallet: Q.ty | Pallet: Weight |
|------------|-----------|-------------|---------------|--------------|----------------|
| | | | 80x80x210 | 3 | 55 |

| Certificates | Manufacturer | Sectors |
|--------------|--------------|------------------------|
| | MWG | Commercial, Industrial |



Industrial Round Brine Tanks



Accessories: Salt grid

- Made in European Union (Italy);
- Material PE medium density;
- Hole for brine well diameter 160 mm;
- Salt gride holes Ø = 5 mm.

| Ref | Description | Fam. | Subfa m. | Disp. Stock | |
|-------|--|------|----------|-------------|--|
| PC070 | SALT GRIDE FOR BRINE TANK LT 340 H=375 | 045 | 230 | • | |
| PC071 | SALT GRIDE BRINE TANK 460 LT H=375 | 045 | 230 | • | |

| Ref | Height (mm) | Diameter (mm) | For brine tanks (liters) |
|-------|-------------|---------------|--------------------------|
| PC070 | 375 | 600 | 340 |
| PC071 | 375 | 700 | 460 |

| Box: WxLxH | Box: Q.ty | Box: Weight | Pallet: WxLxH | Pallet: Q.ty | Pallet: Weight |
|------------|-----------|-------------|---------------|--------------|----------------|
| | | | | | |

| Certificates | Manufacturer | Sectors |
|--------------|--------------|------------------------|
| | MWG | Commercial, Industrial |

Brine well

- Material PVC with cover;
- Diameter 160 mm;
- Height 1050 mm.

| Ref | Description | Fam. | Subfa m. | Disp. Stock | |
|-------|-----------------------------|------|----------|-------------|--|
| PA016 | WELL DIAMETER 160X1050 MM.* | 045 | 230 | • | |

| Box: WxLxH | Box: Q.ty | Box: Weight | Pallet: WxLxH | Pallet: Q.ty | Pallet: Weight |
|------------|-----------|-------------|---------------|--------------|----------------|
| | | | | | |

| Certificates | Manufacturer | Sectors |
|--------------|--------------|------------------------|
| | | Commercial, Industrial |



Industrial Round Brine Tanks



- Made in European Union (Italy);
- Brine tanks complete with cover;
- Material PE medium density, rotomolded;
- Single or multiple packaging of 3 pcs per pallet;
- Colour white opaque UVA ray resistant;
- Cover colours available: white, blue or black;
- EU design patent no. 003156272.

| Ref | Description | Fam. | Subfam. | Disp. Stock | Price Euro |
|-----------|--|------|---------|-------------|------------|
| T0670CWCW | BRINE TANK LT 670 WHITE BODY WHITE COVER- NEW* | 045 | 224 | • | 371,49 |
| T0670CWCA | BRINE TANK LT 670 WHITE BODY LIGHT BLU COVER- NEW* | 045 | 224 | • | 371,49 |
| T0670CWCD | BRINE TANK LT 670 WHITE BODY BLACK COVER - NEW* | 045 | 224 | • | 371,49 |

| Ref | Capacity (liters) | Cover color | A (mm) | B (mm) | C (mm) |
|-----------|-------------------|-------------|--------|--------|--------|
| T0670CWCW | 670 | White | 847 | 1196 | 973 |
| T0670CWCA | 670 | Light Blu | 847 | 1196 | 973 |
| T0670CWCD | 670 | Black | 847 | 1196 | 973 |

| Box: WxLxH | Box: Q.ty | Box: Weight | Pallet: WxLxH | Pallet: Q.ty | Pallet: Weight |
|------------|-----------|-------------|---------------|--------------|----------------|
| | | | 80x80x210 | 3 | 70 |

| Certificates | Manufacturer | Sectors |
|--------------|--------------|------------|
| | MWG | Industrial |

| Ref | Description | Fam. | Subfam. | Disp. Stock | Price Euro |
|-----------|--|------|---------|-------------|------------|
| T0920CWCW | BRINE TANK LT 920 WHITE BODY WHITE COVER - NEW* | 045 | 224 | • | 474,17 |
| T0920CWCA | BRINE TANK LT 920 WHITE BODY LIGHT BLU COVER- NEW* | 045 | 224 | • | 474,17 |
| T0920CWCD | BRINE TANK LT 920 WHITE BODY BLACK COVER- NEW* | 045 | 224 | • | 474,17 |

| Ref | Capacity (liters) | Cover color | A (mm) | B (mm) | C (mm) |
|-----------|-------------------|-------------|--------|--------|--------|
| T0920CWCW | 920 | White | 997 | 1206 | 1123 |
| T0920CWCA | 920 | Light Blu | 997 | 1206 | 1123 |
| T0920CWCD | 920 | Black | 997 | 1206 | 1123 |

| Box: WxLxH | Box: Q.ty | Box: Weight | Pallet: WxLxH | Pallet: Q.ty | Pallet: Weight |
|------------|-----------|-------------|---------------|--------------|----------------|
| | | | 105x105x235 | 3 | 85 |

| Certificates | Manufacturer | Sectors |
|--------------|--------------|------------|
| | MWG | Industrial |



Industrial Round Brine Tanks

Accessories: Salt grid

- Made in European Union (Italy);
- Material PE medium density;
- Hole for brine well diameter 160 mm;
- Salt grille holes $\varnothing = 5$ mm.



| Ref | Description | Fam. | Subfam. | Disp. Stock | |
|-------|------------------------------------|------|---------|-------------|--|
| PC072 | SALT GRIDE BRINE TANK LT 670 H=375 | 045 | 230 | • | |
| PC073 | SALT GRIDE BRINE TANK LT 920 H=375 | 045 | 230 | • | |

| Ref | Height (mm) | Diameter (mm) | For brine tanks (liters) |
|-------|-------------|---------------|--------------------------|
| PC072 | 375 | 835 | 670 |
| PC073 | 375 | 1010 | 920 |

| Box: WxLxH | Box: Q.ty | Box: Weight | Pallet: WxLxH | Pallet: Q.ty | Pallet: Weight |
|------------|-----------|-------------|---------------|--------------|----------------|
| | | | | | |

| Certificates | Manufacturer | Sectors |
|--------------|--------------|------------|
| | MWG | Industrial |

Brine well

- Material PVC with cover;
- Diameter 160 mm;
- Height 1050 mm.

| Ref | Description | Fam. | Subfam. | Disp. Stock | |
|-------|-----------------------------|------|---------|-------------|--|
| PA016 | WELL DIAMETER 160X1050 MM.* | 045 | 230 | • | |

| Box: WxLxH | Box: Q.ty | Box: Weight | Pallet: WxLxH | Pallet: Q.ty | Pallet: Weight |
|------------|-----------|-------------|---------------|--------------|----------------|
| | | | | | |

| Certificates | Manufacturer | Sectors |
|--------------|--------------|------------|
| | | Industrial |

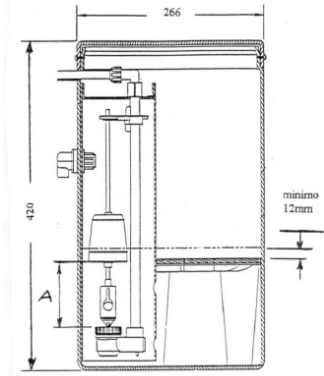


Potassium Permanganate Feeder

- Feeder for potassium permanganate solution, to realize automatic iron removal systems with manganese greensand;
- Complete with floating valve, well, special grid for permanganate, overflow, safety screw for cover;
- Material: polyethylene;
- Dimensions: diameter 266 mm, height 420 mm;
- Storage KMnO4 capacity: 13,6 kg;
- Connection for 3/8" tubing;
- Colour black.

Float setting:

- Suggested dose of regenerant: 2 ÷ 4 g KMnO4 per greensand liter KMnO4 solution: 30 g/l at 10°C 60 g/l at 22°C
- Minimum A floating setting at 108 mm is equivalent to 4 liters of solution.



| Ref | Description | Fam. | Subfam. | Disp. Stock | |
|-------|---|------|---------|-------------|--|
| AV120 | COMPLETE PERMANGANATE FEEDER FOR 255FA -268FA | 010 | 062 | • | |

| Certificates | Manufacturer | Sectors |
|--------------|--------------|----------|
| | | Domestic |