



Filter housings,  
cartridges  
and polyphosphate  
feeders



# PP String Wound Filtering Cartridges



- string wound filtering cartridges with core;
- string and core in polypropylene;
- double/triple retention capacity than a compact structure cartridge;
- dimensions external diameter 60 mm, internal diameter 28 mm;
- nominal length 10" or 20";
- suggested filtering flow rate for 10" length: 18÷24 lpm;
- max filtering flow rate for 20" length : 30 lpm;
- max  $\Delta P$  recommended 1 bar;
- max operating temperature = 60°C.

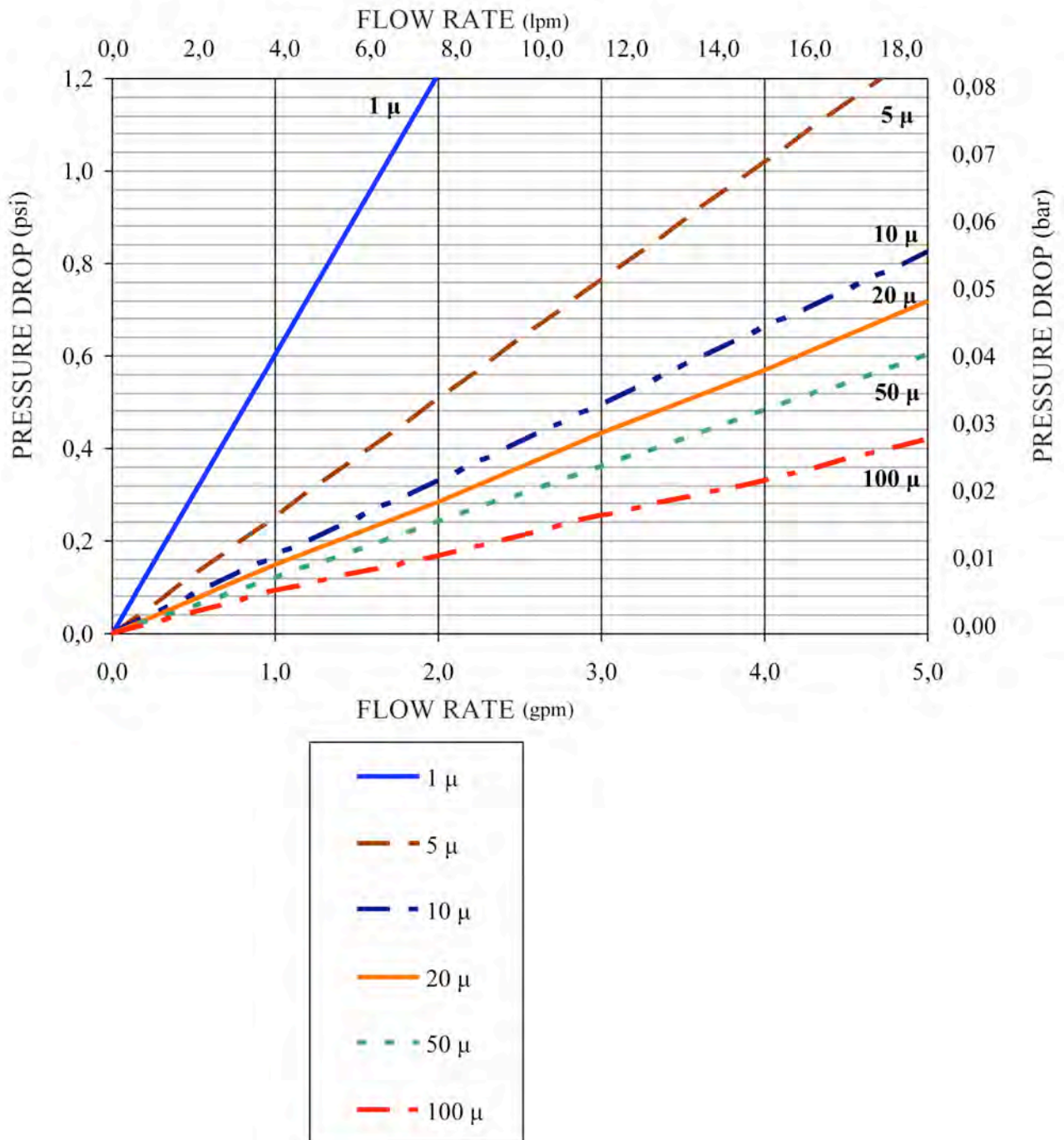


REF.	MODEL	NOMINAL LENGTH (inch)	LENGTH (mm)	MICRON	
FC100	DLSW-10-01	10"	251	1	
FC101	DLSW-10-05	10"	251	5	
FC102	DLSW-10-10	10"	251	10	
FC103	DLSW-10-20	10"	251	20	
FC104	DLSW-10-50	10"	251	50	
FC105	DLSW-10-100	10"	251	100	
FC110	DLSW-20-01	20"	505	1	
FC111	DLSW-20-05	20"	505	5	
FC112	DLSW-20-10	20"	505	10	
FC113	DLSW-20-20	20"	505	20	
FC114	DLSW-20-50	20"	505	50	
FC115	DLSW-20-100	20"	505	100	

# PP String Wound Filtering Cartridges



Flow rate – pressure drop diagram (Per single 10-inch equivalent)

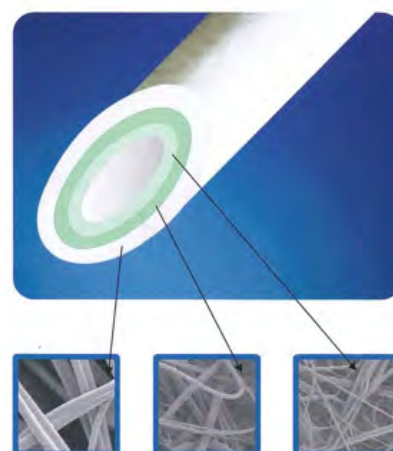




# Melt Blown Filtering Cartridges



- Thermowelded polypropylene fibers cartridges with no lubricants or antistatic additives;
- Any migration into the filtered water;
- In compliance with DM 174/2004;
- Wide chemical compatibility;
- High retention capacity & filtration efficiency multilayer structure;
- Filtration efficiency 96 % minimum;
- High retention capacity extends cartridge life;
- External diameter 63 mm, internal 28 mm;
- Nominal length: 10" – 20" – 30" – 40".
- Suggested filtration flow rate for 10" length: 15 ÷ 20 lpm;
- Max filtration flow rate for 40" length: 60 lpm;
- Max  $\Delta P$  recommended 1,4 bar;
- Max operating temperature = 80°C.

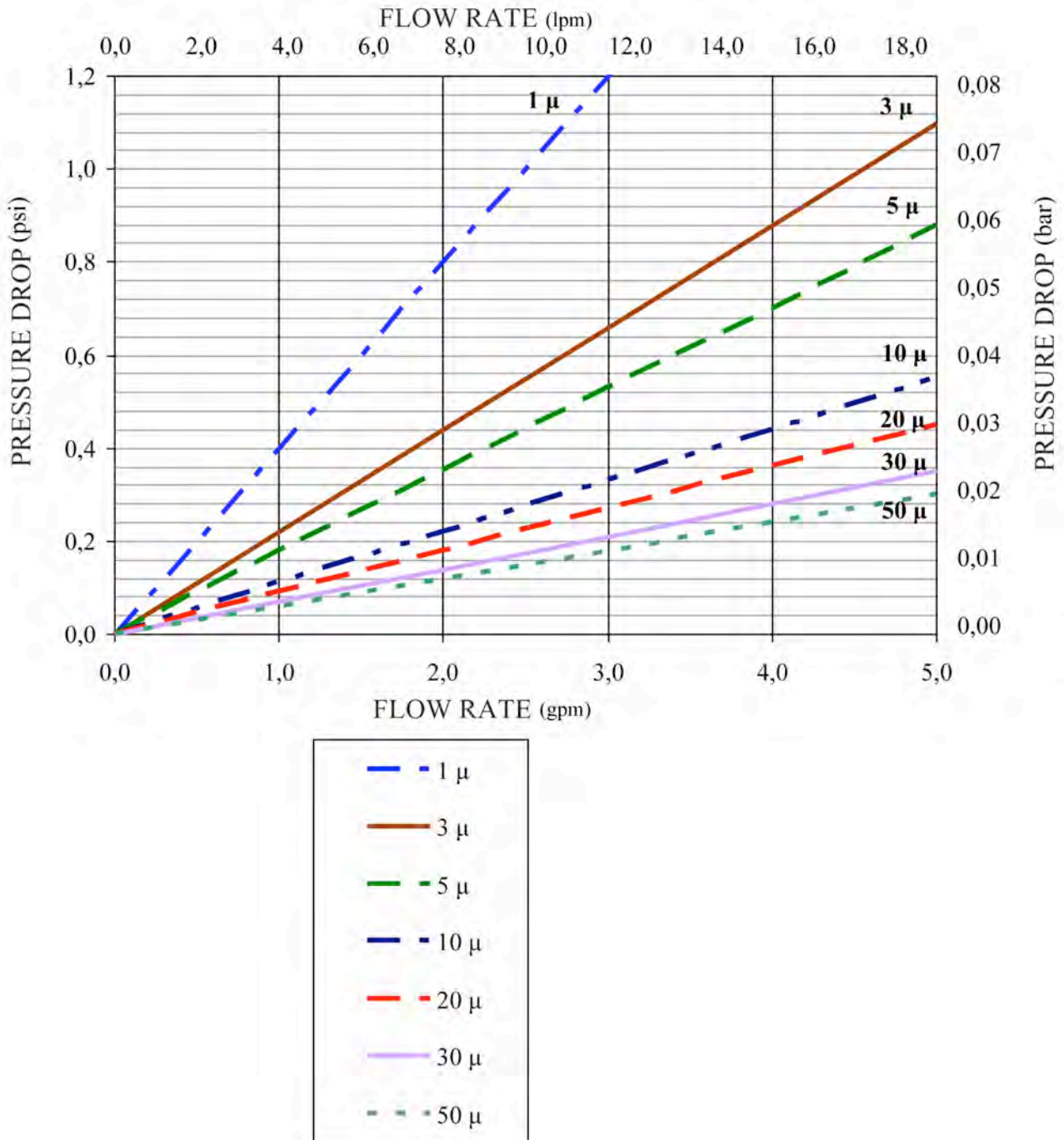


REF.	MODEL	NOMINAL LENGTH (inch)	LENGTH (mm)	MICRON	
FC050	DLPP-01-10	10"	251	1	
FC051	DLPP-05-10	10"	251	5	
FC052	DLPP-10-10	10"	251	10	
FC053	DLPP-20-10	10"	251	20	
FC054	DLPP-30-10	10"	251	30	
FC055	DLPP-50-10	10"	251	50	
FC060	DLPP-01-20	20"	508	1	
FC061	DLPP-05-20	20"	508	5	
FC062	DLPP-10-20	20"	508	10	
FC063	DLPP-20-20	20"	508	20	
FC064	DLPP-30-20	20"	508	30	
FC065	DLPP-50-20	20"	508	50	
FC070	DLPP-01-30	30"	764	1	
FC071	DLPP-05-30	30"	764	5	
FC072	DLPP-10-30	30"	764	10	
FC073	DLPP-20-30	30"	764	20	
FC074	DLPP-30-30	30"	764	30	
FC075	DLPP-50-30	30"	764	50	
FC080	DLPP-01-40	40"	1018	1	
FC081	DLPP-05-40	40"	1018	5	
FC082	DLPP-10-40	40"	1018	10	
FC083	DLPP-20-40	40"	1018	20	
FC084	DLPP-30-40	40"	1018	30	
FC085	DLPP-50-40	40"	1018	50	

# Melt Blown Filtering Cartridges



Flow rate – pressure drop diagram (Per single 10-inch equivalent)



## PP Big Sediment Filter Cartridges



- melt-blown polypropylene fibers;
- dimensions 114 mm external diameter;
- dimensions 28 mm internal diameter.

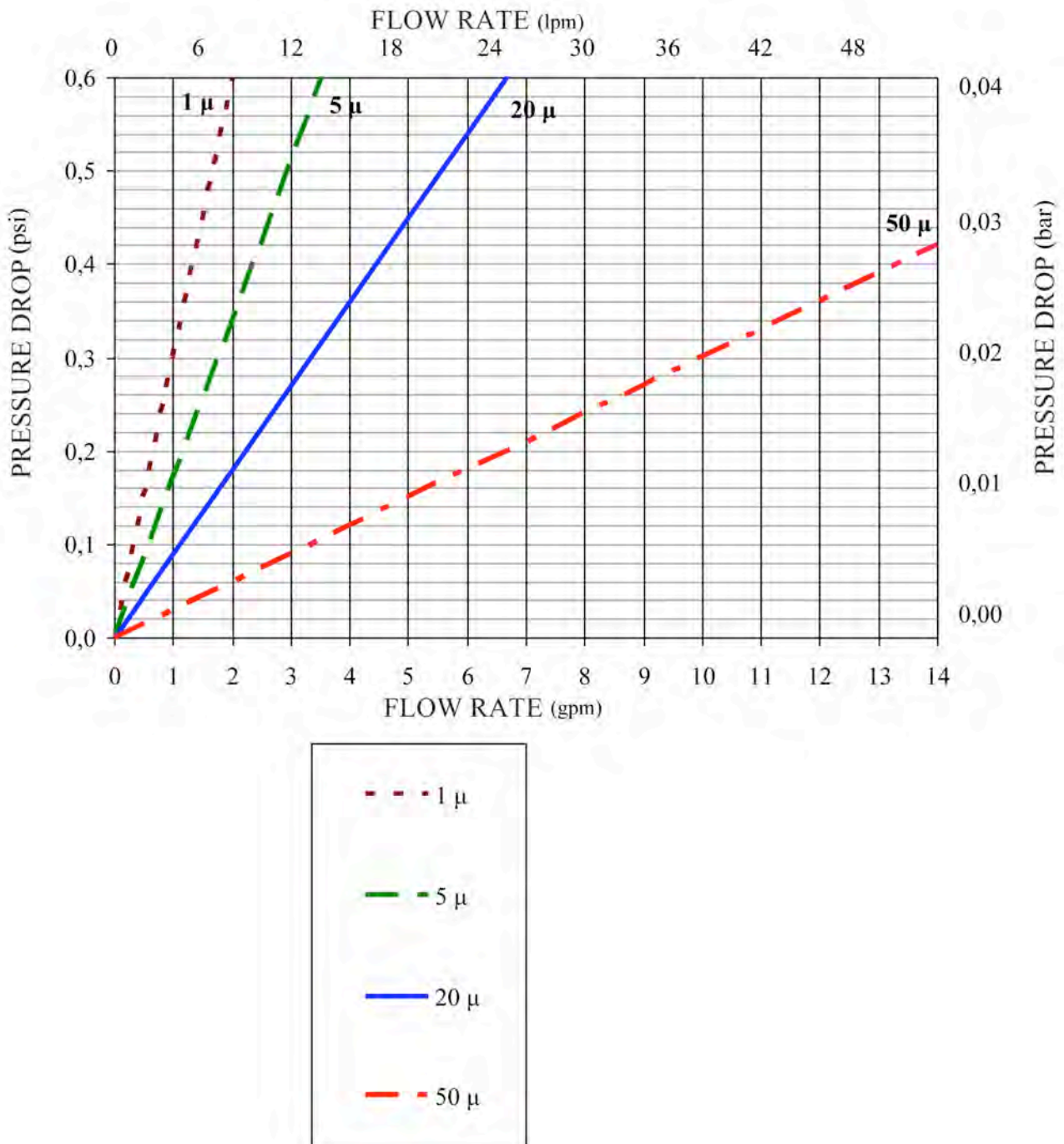


REF.	MODEL	NOMINAL LENGTH (inch)	LENGTH (mm)	MICRON	
FA038	DLPPBB-1-10	10"	251	1	
FA034	DLPPBB-5-10	10"	251	5	
FA035	DLPPBB-20-10	10"	251	20	
FA036	DLPPBB-50-10	10"	251	50	
FA039	DLPPBB-1-20	20"	508	1	
FA028	DLPPBB-5-20	20"	508	5	
FA029	DLPPBB-20-20	20"	508	20	
FA037	DLPPBB-50-20	20"	508	50	

# PP Big Sediment Filter Cartridges



Flow – pressure drops diagram (Per single 10-inch equivalent)



# Purtrex Filtering Cartridges



- in melt-blown polypropylene fibers;
- any microfibers migration in filtered water;
- FDA materials compliant;
- graduated density from external to internal side improves filter efficiency;
- high retention capacity extends cartridge life;
- external diameter 63 mm, internal 28 mm;
- nominal length 10" – 20" – 30" – 40".
- suggested filtration flow rate for 10" length: 15 ÷ 20 lpm;
- max filtration flow rate for 40" length: 60 lpm;
- max operating temperature = 80°C.

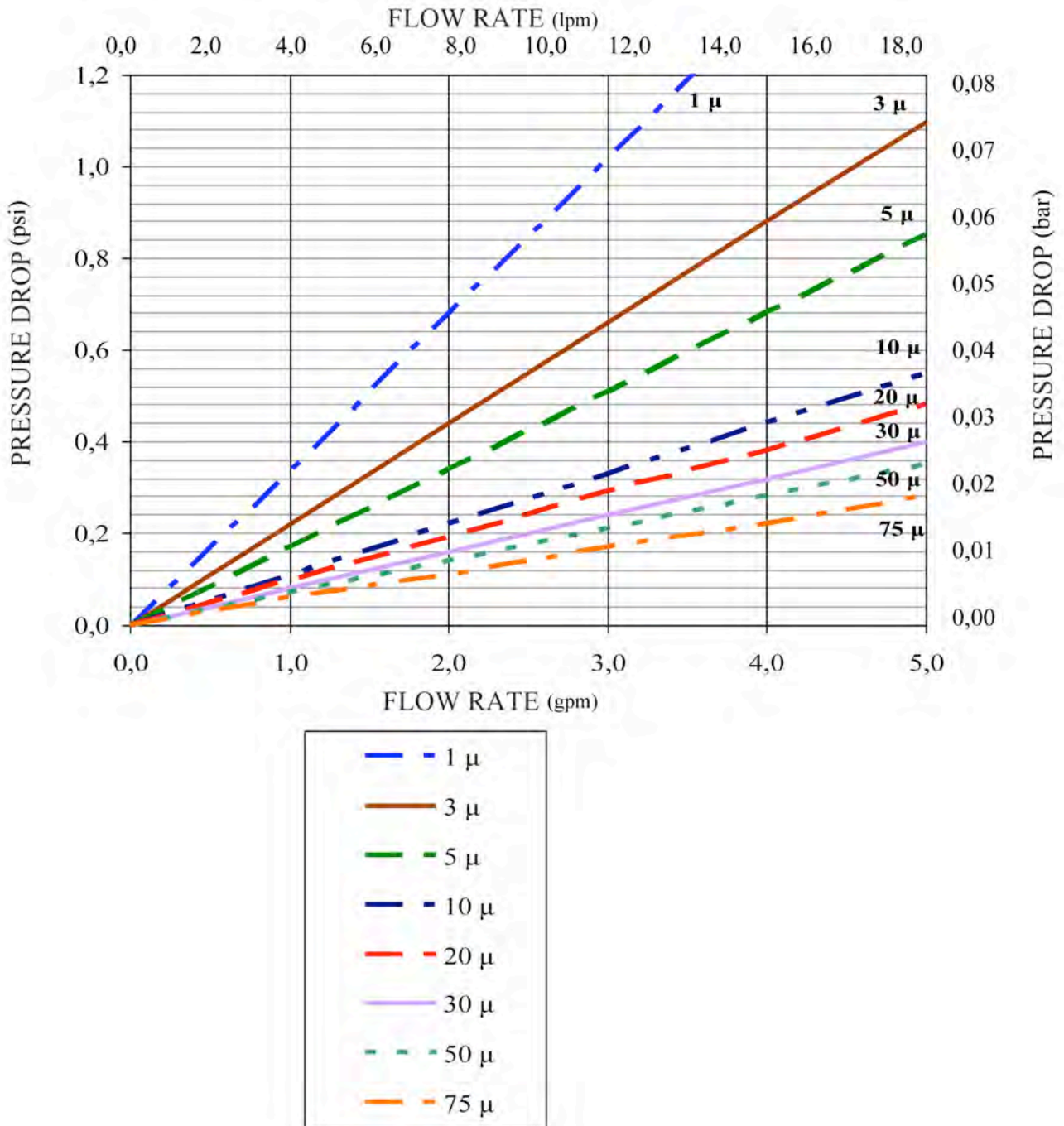


REF.	MODEL	NOMINAL LENGTH (inch)	LENGTH (mm)	MICRON	
FC010	PX 01 – 9 7/8"	10"	251	1	
FC011	PX 03 – 9 7/8"	10"	251	3	
FC012	PX 05 – 9 7/8"	10"	251	5	
FC013	PX 10 – 9 7/8"	10"	251	10	
FC014	PX 20 – 9 7/8"	10"	251	20	
FC015	PX 30 – 9 7/8"	10"	251	30	
FC016	PX 50 – 9 7/8"	10"	251	50	
FC017	PX 75 – 9 7/8"	10"	251	75	
FC020	PX 01 – 20"	20"	508	1	
FC021	PX 03 – 20"	20"	508	3	
FC022	PX 05 – 20"	20"	508	5	
FC023	PX 10 – 20"	20"	508	10	
FC024	PX 20 – 20"	20"	508	20	
FC025	PX 30 – 20"	20"	508	30	
FC026	PX 50 – 20"	20"	508	50	
FC030	PX 01 – 30"	30"	764	1	
FC031	PX 03 – 30"	30"	764	3	
FC032	PX 05 – 30"	30"	764	5	
FC033	PX 10 – 30"	30"	764	10	
FC034	PX 20 – 30"	30"	764	20	
FC035	PX 30 – 30"	30"	764	30	
FC036	PX 50 – 30"	30"	764	50	
FC040	PX 01 – 40"	40"	1018	1	
FC041	PX 03 – 40"	40"	1018	3	
FC042	PX 05 – 40"	40"	1018	5	
FC043	PX 10 – 40"	40"	1018	10	
FC044	PX 20 – 40"	40"	1018	20	
FC045	PX 30 – 40"	40"	1018	30	
FC046	PX 50 – 40"	40"	1018	50	





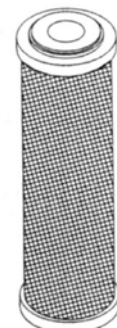
Flow – pressure drops diagram (Per single 10-inch equivalent)





## Carbon Block

- Extruded activated carbon of Bituminous origin;
- Recommended for pre-filtration applications and for Chlorine removal;
- Dimensions:
  - external diameter = 64 mm (2 ½”);
  - internal diameter = 25 mm (1”)
  - end-cap diameter = 71 mm.



REF.	MODEL	NOMINAL LENGTH (inch)	LENGTH (mm)	MICRON	SUGGESTED FLOW RATE (l/h)	EXTRUDED ACTIVATED CARBON	CAP
FA012	CBC 5”	5”	124	1	120	Bituminous	White
FA013	EB-CB 9 7/8”	10”	249	10	240	Bituminous	White
FA014	CBC 20”	20”	508	10	480	Bituminous	White

## Big Carbon Block

- Bituminous carbon block.
- Suitable for pre-filtration applications and for Chlorine removal.
- Dimensions:
  - external diameter = 108 mm (4 ¼”);
  - internal diameter = 25 mm (1”);
  - end-cap diameter = 113 mm.



REF.	MODEL	NOMINAL LENGTH (inch)	LENGTH (mm)	MICRON	SUGGESTED FLOW RATE (l/h)
FA016	CBC 10 BIG	10”	254	5	800
FA015	CBC 20 BIG	20”	254	5	1600



## Wound PP & activated carbon

- wound polypropylene cartridge with granular activated carbon inside;
- external diameter 64 mm, internal 27 mm;
- nominal length 10";
- length 251 mm.

REF.	
FA058	



## Granular activated carbon

- PE container cartridge empty or with granular activated carbon;
- external diameter 72 mm;
- nominal length 10";
- length 256 mm.

REF.	MODEL	DESCRIPTION	
FA007	GAC 10 N	WITH ACTIVATED CARBON	
FA008	10 N	EMPTY	



# AISI 304 Cartridges for OTC Housings



## AISI 304 Cartridges for OTC 12 Housings

- washable;
- to install with washable cartridge filters OTC 12 on catalogue (see 08-02-12-EN data sheet).

REF.	FILTRATION DEGREE (micron)	MATERIAL	
FB221	60	NYLON	

## AISI 304 Cartridges for OTC 34 - 1 - 114 Housings

- washable;
- to install with:
  - washable cartridge filters OTC 34 – 1 - 114 on catalogue (see 08-02-12-EN data sheet);
  - 10" hot water filters (see 08-02-13-EN data sheet), except for nylon filtering cartridge REF. FB224.

REF.	FILTRATION DEGREE (micron)	MATERIAL	
FB224	60	NYLON	
FB225	25	AISI 304	
FB228	60	AISI 304	
FB231	100	AISI 304	
FB234	200	AISI 304	
FB237	300	AISI 304	

## AISI 304 Cartridges for OTC 112 - 2 Housings

- washable;
- to install with washable cartridge filters OTC 112 – 2 on catalogue (see 08-02-12-EN data sheet).

REF.	FILTRATION DEGREE (micron)	MATERIAL	
FB226	25	AISI 304	
FB229	60	AISI 304	
FB232	100	AISI 304	
FB235	200	AISI 304	
FB238	300	AISI 304	





## DOE Polyester Filtering Cartridges for MT, MD & OTS Housings

- In compliance with ACS (France), DM 174/2004 and DM25/2012 (Italy);
- Washable, with filtration degree 50 micron;
- External diameter 70 mm, internal 30 mm;
- Max operating temperature 45°C.

REF.	NOMINAL LENGTH (inch)	LENGTH (mm)	
FARP1050	10"	250	
FARP2050	20"	505	



## DOE Nylon Filtering Cartridges for OTS Housings

- Washable, with filtration degree 60 micron;
- External diameter 62 mm, internal 27 mm.

REF.	MODEL	NOMINAL L. (inch)	LENGTH (mm)	
FA067	NL 60 - 9	10"	248	
FA068 (*)	NL 60 - 20	20"	505	



(\*) This cartridge is not suitable for the MD and MT housings of our catalogue.

## OR222 Nylon Filtering Cartridges for OTS Housings

- In compliance with ACS (France), DM 174/2004 and DM25/2012 (Italy);
- Washable, with filtration degree 60 micron;
- To fit into OTS brass head housings 1 ¼" – 1 ½" – 2" models (see 08-02-14-EN data sheet);
- External diameter 61 mm;
- With 222 O-rings;
- Max  $\Delta P$  recommended 1,4 bar.

REF.	NOMINAL LENGTH (inch)	LENGTH (mm)	Flow @ $\Delta p=0,2$ bar (l/h)	
FB067	10"	250	1800	
FB068	20"	505	3600	





## AISI 304 Filtering Cartridges for Hot Water Filter Housings

- Washable and suitable for Hot Water Filter Housings on catalog (see 08-02-13-EN data sheet);
- Ref. FAAL1070 and Ref. FAAP1050 are in compliance with ACS (France), DM 174/2004 and DM25/2012 (Italy).

Ref. FA850 FAAL1070 FAAP1050



(\*) available till it will be out-of-stock.

REF.	MODEL	MICRON	NOMINAL LENGTH (inch)	LENGTH (mm)	EXTERNAL DIAMETER (mm)	INTERNAL DIAMETER (mm)	
FA850 (*)	SMOOTH	50	10"	248	66	27	
FAAL1070	SMOOTH	70	10"	250	70	30	
FAAP1050	PLEATED	50	10"	250	70	30	

## Nylon Mesh Filtering Cartridge with PP Reinforcement

- Washable cartridge with closing rings;
- Filtration degree 60 micron;
- Dimensions external diameter 62 mm, internal 27 mm;
- Length 250 mm and nominal length 10";
- Nylon mesh spare (REF. FB222).

REF.	
FA060	



## Wound Polypropylene Cartridge with AISI 316 Core for Hot Water Filters

- To install with our Hot Water Filters on catalogue (see 08-02-13-EN data sheet);
- dimensions external diameter 56 mm, internal 27 mm;
- length 250 mm, nominal length 10";
- max operating temperature 80°C.

REF.	MODEL	MICRON	
FA071	PAX 05 – 9 ¾	5	
FA072	PAX 10 – 9 ¾	10	
FA073	PAX 20 – 9 ¾	20	
FA074	PAX 50 – 9 ¾	50	





## Empty Cartridges

- plastic empty cartridge;
- external diameter 70 mm;
- useful to fill with polyphosphate crystals – activated carbon - resins.

REF.	NOMINAL LENGTH (inch)	LENGTH (mm)	VOLUME (litres)	
FAVP10	10"	252	0,6	
FAVP20	20"	510	1,2	



## PP Melt Blown 5" Filtering Cartridge

- melt blown polypropylene fibers cartridge;
- dimensions external diameter 64 mm, internal 25 mm.

REF.	MODEL	NOMINAL LENGTH (inch)	LENGTH (mm)	MICRON	
FA021	PP SED 05	5"	126	5	



# MM Mini Three Pieces Filter Housings



- Made in European Union (Italy);
- Suitable for MINI filtering cartridges 5" length;
- Head and nut material ABS blue colour;
- IN/OUT connections 1/2" with brass inserts;
- Sump in SAN clear and O-ring in EPDM material;
- Max operating pressure 8 bar;
- Temperature range = 4 ÷ 45°C;
- DM 174 (Italy) dated 06/04/2004 compliant about materials suitable for contact with water for human consumption;
- In compliance with DM 25 (Italy);
- With the sanitary certification ACS (France).



REF.	
FBMM0505T	

## Cartridges to coupling (D.M. n.174 and ACS compliant):

### MINI Wound PP Thread Filtering Cartridge

- Filtering degree 25 micron;
- Dimensions external diameter 45 mm, internal 18 mm;
- Length 5" (= 122 mm).



REF.	
FAMM0525	

### Washable MINI Filtering Cartridge with Net in Polyester

- Washable MINI cartridge in Polyester;
- Filtering degree 50 micron;
- Dimensions external diameter 50 mm, internal 20 mm;
- Length 5" (= 122 mm).



REF.	
FAMM0550	

## Accessories

REF.	DESCRIPTION	
FBMMR11	PLASTIC WRENCH FOR MM FILTER HOUSINGS	
FBMMR41	5" DIFFUSER TUBE FOR MM FILTER HOUSINGS	
FBMDR31	3/4" BSPP PLASTIC NIPPLE WITH O-RINGS FOR MD, MM & MT FILTER HOUSINGS	



# Plastic Mini Filter Housings



- three pieces filter housing for MINI filtering cartridges 5" length;
- head and nut material ABS blue colour, sump in SAN clear;
- connections 1/2" with brass inserts;
- max operating pressure 7 bar;
- operating temperature 1 ÷ 45°C.



(\*\*) N.A. = Not Available.

REF.	
FB024 (**)	

## Cartridges to coupling:

### Wound PP filament mini filter cartridges

- filtering degree 20 micron;
- dimensions external diameter 52 mm, internal 27 mm;
- length 5".



REF.	
FA065 (**)	

### PP mini filtering cartridge

- washable MINI cartridge in wounded PP;
- filtering degree 70 micron;
- dimensions external diameter 50 mm, internal 27 mm;
- length 5".



REF.	
FA066 (*)	

(\*) available till it will be out-of-stock.

## Accessories

REF.	DESCRIPTION	
FB026 (*)	PLASTIC WRENCH	
FB028 (*)	DIFFUSOR KIT FOR GRANULAR MATERIAL	





## Residential Cintropur Filters



- range of filters for drinking water entirely made in synthetic material;
- the particular centrifugal effect causes the precipitation of larger particles, while the final filtration is assured by the filter sleeve;
- the filters include the sleeve at 25 micron;
- also available sleeves at 50 and 100 micron as spare parts;
- wrench and two complete connections included;
- max operating pressure 10 bar;
- max operating temperature 50°C.



REF.	MODEL	CONNECTIONS (inch)	Flow m <sup>3</sup> /h Δp 0,2 bar	HEIGHT (mm)	WIDTH (mm)	
FB401	NW 25 – ¾	¾"	5,5	355	270	
FB402	NW 25 – 1	1"	5,5	355	270	
FB403	NW 32 – 1 ¼	1 ¼"	6,5	540	270	

### Accessories and spare parts

REF.	DESCRIPTION	
FB470	Wrench	
FB471	Drain cock ¼"	
FB472	Pressure gauge 1-10 bar - ⅛"	
FB473	Wall bracket in PP	
FB427	Set of 5 sleeves 25 micron for NW25	
FB428	Set of 5 sleeves 50 micron for NW25	
FB429	Set of 5 sleeves 100 micron for NW25	
FB433	Set of 5 sleeves 25 micron for NW32	
FB434	Set of 5 sleeves 50 micron for NW32	
FB435	Set of 5 sleeves 100 micron for NW32	

# Industrial Cintropur Filters



- range of filters for drinking water entirely made in synthetic material;
- the particular centrifugal effect causes the precipitation of larger particles, while the final filtration is assured by the filter sleeve;
- the filters include the sleeve at 25 micron;
- also available sleeves at 5, 10, 50, 100, 150 and 300 micron as spare parts;
- wrench, pressure gauge and drain cock included;
- max operating pressure 10 bar;
- max pressure 16 bar;
- max operating temperature 50°C.



REF.	MODEL	Flow m <sup>3</sup> /h Δp 0,2 bar	WEIGHT (kg)	CONN.	Ø OF PIPE	A (mm)	B (mm)	
FB408A	NW 500 – 2	18	6,4	2" BSPT	2"	363	770	
FB409A	NW 650 – 2 ½	25	7,0	DN65	2 ½"	304	770	
FB410A	NW 800 – 3	32	7,4	DN80	3"	313	770	





## Accessories:



ITEM	REF.	DESCRIPTION	
33	FB487	NW500/650/800 air valve kit (with o-ring)	
50	FB480A	NW500/650 head	
51	FB482A	NW800 head	
52	FB483A	Turbine + screw	
53	FB484A	Filtering support armor	
54	FB485A	Cap cartridge	
55	FB486A	Head o-ring	
56	FB488A	Clear bowl	
58	FB489A	Black bowl	
59	FB490A	Diffuser kit	
60	FB491A	Drain valve adapter with o-ring	
61	FB491B	Drain cock 3/4"	
62	FB479	Wrench	
63	FB494A	Connection kit in plastic material + NW500 2" M adapter	
64	FB495A	NW650 DN65 flanged connection kit in plastic material	
65	FB496A	NW800 DN80 flanged connection kit in plastic material	
66	FB497A	Wall bracket in S.S.	
69	FB492	1/4" pressure gauge 0 ÷ 20 bar	
70	FB499	O-ring for NW500/650 connections	
71	FB499A	O-ring for NW800 connections	
NOT VIEWED	FB498	NW650 DN65 gasket in EPDM material	
NOT VIEWED	FB498A	NW800 DN80 gasket in EPDM material	
NOT VIEWED	FB437	Set of 5 sleeves 5 micron	
NOT VIEWED	FB438	Set of 5 sleeves 10 micron	
NOT VIEWED	FB439	Set of 5 sleeves 25 micron	
NOT VIEWED	FB440	Set of 5 sleeves 50 micron	
NOT VIEWED	FB441	Set of 5 sleeves 100 micron	
NOT VIEWED	FB442	Set of 5 sleeves 150 micron washable	
NOT VIEWED	FB443	Set of 5 sleeves 300 micron washable	

## MD Two Pieces Filter Housings



- Made in European Union (Italy);
- Two pieces filter housings for standard filtering cartridges external diameter max 64 mm, length 10" or 20";
- Fixable head in material PP reinforced blue colour;
- Sump in PET;
- O-ring in EPDM;
- IN/OUT connections 3/4" BSPP F;
- With air valve;
- Max operating pressure 8 bar;
- Temperature 4 ÷ 45°C;
- D.M. n.174/2004 compliant about materials suitable for contact with water for human consumption;
- D.M. n.25/2012 compliant about technical provisions for equipment intended for water treatment for human consumption;
- In compliance with the sanitary certification ACS (France).



REF.	MODEL	CARTRIDGE LENGTH (inch)	SUMP MATERIAL AND COLOUR	HEAD DIMENSION (mm)	TOTAL LENGTH (mm)	
FBMD1007T	MD1007T	10"	Clear	122	325	
FBMD1007B	MD1007B	10"	Blue	122	325	
FBMD2007T	MD2007T	20"	Clear	122	577	
FBMD2007B	MD2007B	20"	Blue	122	577	

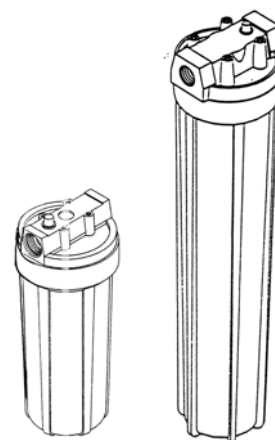
### Accessories

REF.	DESCRIPTION	
FBMDR11	PLASTIC WRENCH FOR MD FILTER HOUSINGS	
FBMDR21	MOUNTING BRACKET FOR MD AND MT FILTER HOUSINGS	
FBMDR31	3/4" BSPP PLASTIC NIPPLE W/ O-RINGS FOR MD, MM & MT FILTER HOUSINGS	

# Plastic Filter Housings



- two pieces housing with fixable head;
- max operating pressure 8 bar;
- max operating temperature 35°C;
- IN/OUT connections 3/4";
- complete with air valve;
- fit standard cartridges 64 mm diameter length 10" or 20".



(\*) available till it will be out-of-stock.

(\*\*) N.A. = Not Available.

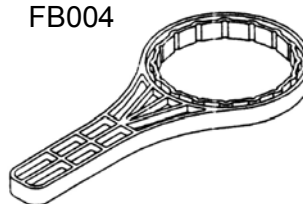
REF.	MODEL	FOR CARTRIDGE (inch)	HEAD MATERIAL AND COLOUR	SUMP MATERIAL AND COLOUR	HEAD DIMENSION (mm)	TOTAL LENGTH (mm)	
FB010 (*)	AS 1034	10"	PP blue	AS clear	124	295	
FB011 (**)	PP 1034	10"	PP blue	PP blue	124	295	
FB014 (*)	AS 2034	20"	PP black	AS clear	135	575	
FB015 (**)	PP 2034	20"	PP black	PP blue	135	575	

## Plastic filter housings spare parts

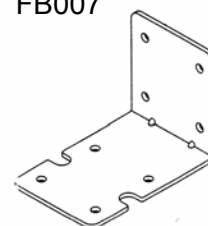
### AS 1034 & PP 1034 accessories

REF.	DESCRIPTION	
FB004 (*)	PLASTIC WRENCH	
FB007	MOUNTING BRACKET WHITE COATED MATERIAL	

FB004



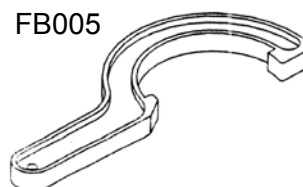
FB007



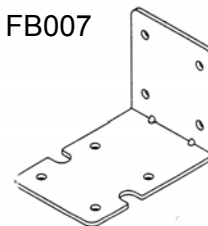
### AS 2034 & PP 2034 accessories:

REF.	DESCRIPTION	
FB005 (*)	PLASTIC WRENCH	
FB007	MOUNTING BRACKET WHITE COATED MATERIAL	

FB005



FB007



# BG Plastic BIG Filter Housings



- Made in European Union (Italy);
- Suitable for 4 ½" diameter DOE high flow cartridges;
- Fixable head;
- Material in PP;
- O-ring in EPDM;
- Max operating pressure 8,3 bar;
- Temperature 4 ÷ 45°C;
- IN/OUT connections BSPP;
- D.M. n.174/2004 compliant about materials suitable for contact with water for human consumption;
- D.M. n.25/2012 compliant about technical provisions for equipment intended for water treatment for human consumption;
- In compliance with the sanitary certification ACS (France);
- With plastic wrench (ref. FBBGR11).



NOTE: a set pressure gauge installation is recommended.

REF.	MODEL	CARTRIDGE LENGTH (inch)	IN/OUT CONNECTIONS (inch)	HEAD DIMENSION (mm)	TOTAL LENGTH (mm)	
FBBG1010B	BG 1010	10"	1" F	190	360	
FBBG1015B	BG 1015	10"	1 ½" F	190	360	
FBBG2010B	BG 2010	20"	1" F	190	617	
FBBG2015B	BG 2015	20"	1 ½" F	190	617	

REF.	DESCRIPTION	
FBBGR11	PLASTIC WRENCH FOR BG FILTER HOUSINGS	

## Cartridges to coupling

- BIG PP microfiber filtering cartridges, see 08-01-03-EN data sheet;
- BIG CARBON BLOCK filtering cartridges see 08-01-05-EN data sheet.

## Accessories

REF.	DESCRIPTION	
FBBGR21	MOUNTING BRACKET FOR BG FILTER HOUSINGS, WITH SCREWS	
FBBGR31	1" BSPP NIPPLES WITH O-RINGS (PAIR) FOR BG AND MT FILTER HOUSINGS	



# Plastic BIG Filter Housings



- two pieces filter housing with fixable head for 4 ½" diameter high flow cartridges;
- material polypropylene;
- max operating pressure 6,3 bar.

NOTE: a 5 bar set pressure gauge installation is recommended.



(\*) available till it will be out-of-stock.

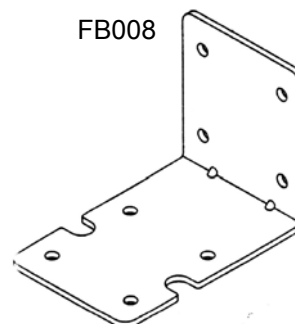
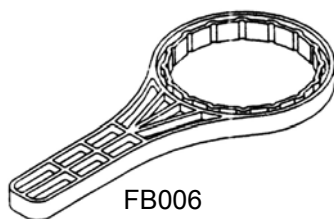
(\*\*) N.A. = Not Available.

REF.	MODEL	CARTRIDGE LENGTH (inch)	IN/OUT CONNECTIONS (inch)	HEAD DIMENSION (mm)	TOTAL LENGTH (mm)	
FB017 (*)	BIG 10112	10"	1 ½" F	185	360	
FB017A (**)	BIG 101	10"	1" F	185	360	
FB018 (**)	BIG 20112	20"	1 ½" F	185	605	
FB018A (**)	BIG 201	20"	1" F	185	605	

## Cartridges to coupling:

- BIG PP microfibre filtering cartridges, see 08-01-03-EN data sheet;
- BIG CARBON BLOCK filtering cartridges, see 08-01-05-EN data sheet.

## Accessories:



REF.	DESCRIPTION	
FB006 (*)	PLASTIC WRENCH	
FB008 (*)	MOUNTING BRACKET WHITE COATED METAL	

# MT Three Pieces Filter Housings



- Made in European Union (Italy);
- Three pieces filter housings for standard filtering cartridges external diameter max 64 mm, length 10" or 20";
- Fixable head and nut in material PP reinforced blue colour;
- Sump in PET clear;
- O-ring in EPDM;
- IN/OUT connections BSPP F 3/4" or 1", with brass inserts;
- With air valve;
- Max operating pressure 8 bar;
- Temperature 4 ÷ 45°C;
- D.M. n.174/2004 compliant about materials suitable for contact with water for human consumption;
- D.M. n.25/2012 compliant about technical provisions for equipment intended for water treatment for human consumption;
- In compliance with the sanitary certification ACS (France).



(\*) **WARNING! FA064A and FA068 cartridges are not suitable for this housing.**

REF.	MODEL	CARTRIDGE LENGTH (inch)	CONNECTIONS (inch)	HEAD DIMENSION (mm)	TOTAL LENGTH (mm)	
FBMT1007T	MT1007T	10"	3/4"	133	315	
FBMT1010T	MT1010T	10"	1"	145	321	
FBMT2010T (*)	MT2010T	20"	1"	145	577	

## Accessories

REF.	DESCRIPTION	
FBMTR11	PLASTIC WRENCH FOR MT FILTER HOUSINGS	
FBMTR41	10" DIFFUSER TUBE FOR MT FILTER HOUSINGS	
FBMDR21	MOUNTING BRACKET FOR MD AND MT FILTER HOUSINGS	
FBMDR31	3/4" BSPP PLASTIC NIPPLE W/ O-RINGS FOR MD, MM & MT FILTER HOUSINGS	
FBBGR31	1" BSPP NIPPLES WITH O-RINGS (PAIR) FOR BG & MT FILTER HOUSINGS	

# Plastic Filter Housings



- three pieces filter housings for standard filtering cartridges external diameter max 64 mm, length 10" or 20";
- head and nut material PP blue colour, sump in SAN clear;
- max operating pressure 7 bar;
- operating temperature 1 ÷ 45° C;
- fixable head version;
- connections 3/4" and 1" with brass inserts;
- complete with air valve.



(\*) available till it will be out-of-stock.

(\*\*) N.A. = Not Available.

REF.	MODEL	CARTRIDGE LENGTH (inch)	CONNECTIONS (inch)	HEAD DIMENSION (mm)	TOTAL LENGTH (mm)	
FB022 (**)	FS3P 34-9	10"	3/4"	132	315	
FB023 (**)	FS3P 1-9	10"	1"	132	315	
FB049 (**)	FS3P 1-20	20"	1"	132	570	

## Accessories



OLD



NEW

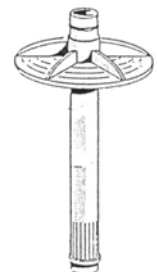
FB025A



FB027B - FB027C



FB029A - FB030A



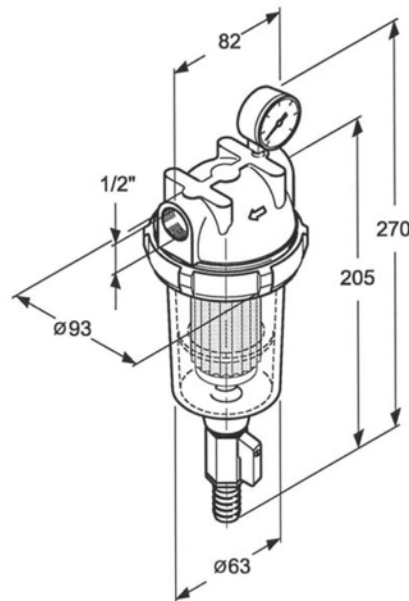
FB038

REF.	DESCRIPTION	
FB025A (*)	PLASTIC WRENCH	
FB027B (**)	3/4" NIPPLE WITH O-RINGS	
FB027C (*)	1" NIPPLE WITH O-RINGS	
FB029A (*)	PLASTIC MOUNTING BRACKET WHITE FOR ONE FILTER	
FB030A (**)	PLASTIC MOUNTING BRACKET WHITE FOR TWO FILTERS	
FB038 (*)	DIFFUSOR KIT FOR GRANULAR MATERIAL FOR 9 3/4"	

# Self Cleaning Filters

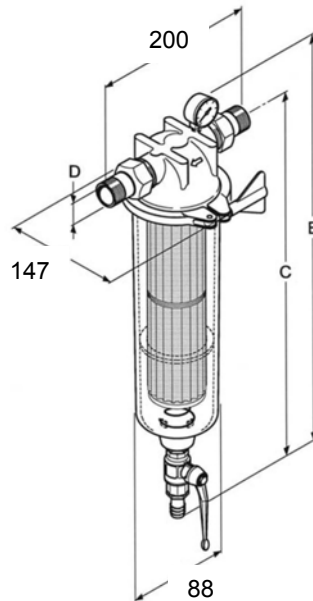


- range of sediment self clearing filters, chrome plated brass head and trogamid sump, with pleated AISI 304 cartridge at 100 micron (on request available also at 25, 60, 200 and 300 micron);
- complete with manometer on inlet;
- opening the drain valve, a depression is created inside the sump, that lowers the cartridge and reverts the clearing water flow. Closing the valve, the cartridge rises and places the filter in service again. Repeat the action 4-5 times for about 10 seconds each time;
- easy cartridge disassembly in case of inspection or replacement;
- for 3/4" ÷ 2" models, on demand available models with automatic cleaning controller (AOTC AUT Models);
- D.M. n.174 dated 06/04/2004 compliant about materials suitable for contact with water for human consumption;
- IN/OUT connections 1/2" F;
- max operating pressure 16 bar;
- temperature 0 ÷ 40° C;
- max ΔP recommended 1 bar.



REF.	MODEL	IN-OUT connection	Flow @ Δp=0,2 bar (l/h)	
FB210B	AOTC 12	1/2" F	1500	

# Self Cleaning Filters

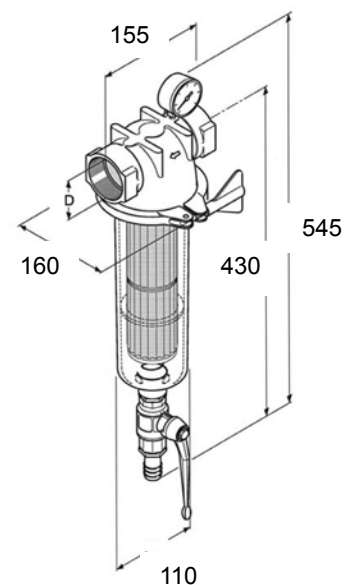


REF.	MODEL	C	D IN-OUT connection GAS	E	Flow @ $\Delta p=0,2$ bar (l/h)
FB211B	AOTC 34	365	3/4"	460	3000
FB211BT (*)	AOTC 34 AUT	365	3/4"	460	3000
FB212B	AOTC 1	365	1"	460	3500
FB212BT (*)	AOTC 1 AUT	365	1"	460	3500
FB213B	AOTC 114	375	1 1/4"	470	4500
FB213BT (*)	AOTC 114 AUT	375	1 1/4"	470	4500

- max operating pressure 10 bar;
- temperature 0 ÷ 40°C;
- max  $\Delta P$  recommended 1 bar.

REF.	MODEL	D IN-OUT connection GAS	Flow @ $\Delta p=0,2$ bar (l/h)
FB214B	AOTC 112	1 1/2" F	10000
FB214BT (*)	AOTC 112 AUT	1 1/2" F	10000
FB215B	AOTC 2	2" F	15000
FB215BT (*)	AOTC 2 AUT	2" F	15000

(\*) not available in stock.





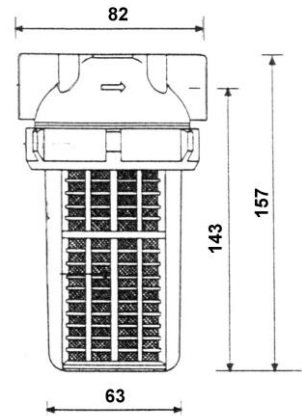
# Filters with Washable Cartridge



- range of sediment filters, chrome plated brass head and trogamid sump, complete with washable cartridge;
- available AISI 304 cartridges and versions with AISI 316 sump for temperature up to 80°C (only ¾" – 1" – 1 ¼" models): please see 08-01-07-EN data sheet.

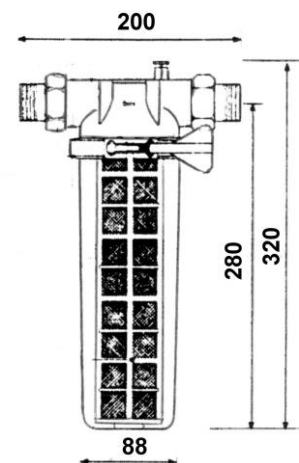
- max operating pressure 16 bar;
- temperature 0 ÷ 40° C;
- nylon cartridge 60 micron (REF. FB221).

REF.	MODEL	IN-OUT connection	Flow at $\Delta p=0,2$ bar (l/h)	
FB200	OTC 12	½" F	1200	



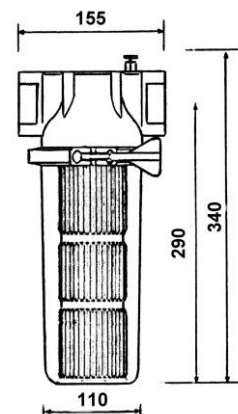
- max operating pressure 16 bar;
- temperature 0 ÷ 40° C;
- nylon cartridge 60 micron (REF. FB224).

REF.	MODEL	IN-OUT connection	Flow at $\Delta p=0,2$ bar (l/h)	
FB201	OTC 34	¾"	3000	
FB202	OTC 1	1"	3500	
FB203	OTC 114	1¼"	5000	



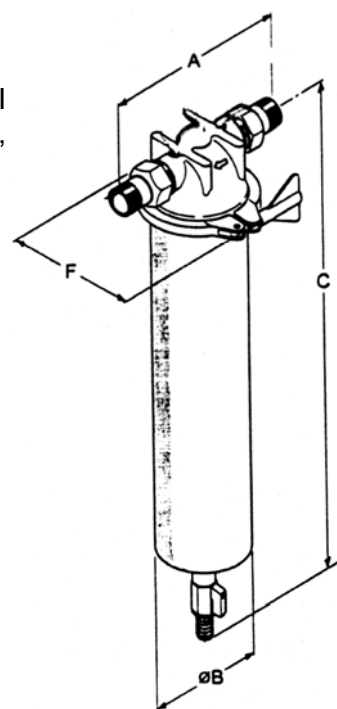
- max operating pressure 10 bar;
- temperature 0 ÷ 40° C;
- AISI 304 cartridge 100 micron (REF. FB232).

REF.	MODEL	IN-OUT connection	Flow at $\Delta p=0,2$ bar (l/h)	
FB204B	OTC 112	1½" F	10000	
FB205B	OTC 2	2" F	15000	





- Filter housing brass chromium-pleated head with sump in AISI 304, for standard filtering cartridges external diameter max 67 mm, and nominal length 10" or 20";
- Complete with internal tie-rod in AISI 304 to fit cartridges;
- Max operating temperature 80°C;
- Max operating pressure 16 bar;
- With air valve.



REF.	MODEL	CONNECTIONS (inch)	NOMINAL LENGTH (inch)	A (mm)	B (mm)	C (mm)	F (mm)
FB217	OTC-HW 34	3/4"	10"	200	88	375	147
FB218	OTC-HW 1	1"	10"	200	88	375	147
FB219	OTC-HW 114	1 1/4"	10"	200	88	385	147
FB217A	OTC-HW 34-20	3/4"	20"	200	88	630	147
FB218A	OTC-HW 1-20	1"	20"	200	88	630	147
FB219A	OTC-HW 114-20	1 1/4"	20"	200	88	640	147

## Cartridges to coupling:

- AISI 304 pleated filtering cartridges, REF. FB225, FB228, FB231, FB234 and FB237 ( see 08-01-07-EN data sheet); Note: for MODEL 20", you can't put one 10" filtering cartridge on another;
- AISI 304 filtering cartridges, smooth or pleated (see 08-01-09-EN data sheet);
- Wound Polypropylene cartridges with AISI 316 core (see 08-01-09-EN data sheet).

# Filter Housings Brass Head



- three pieces filter housings;
- head and nut material brass nickel-pleated, sump in SAN clear;
- max operating pressure 8 bar;
- max operating temperature 40° C;
- complete with air valve.



REF.	MODEL	CONNECTIONS (inch)	FOR CARTRIDGE	L (mm)	H (mm)	CARTRIDGE TYPE	
FB060	OTS 34- 9	¾"	10"	135	330	DOE	
FB061	OTS 1- 9	1"	10"	135	330	DOE	
FB062	OTS 1-20	1"	20"	135	600	DOE	
FB063	OTS 114-10	1 ¼"	10"	150	340	OR222	
FB064	OTS 114-20	1 ¼"	20"	150	620	OR222	
FB072	OTS 112-10	1 ½"	10"	150	340	OR222	
FB065	OTS 112-20	1 ½"	20"	150	620	OR222	
FB073	OTS 2-10	2"	10"	162	360	OR222	
FB066	OTS 2-20	2"	20"	162	640	OR222	

## Suitable cartridges

- for cartridges for OTS filter housings, see 08-01-08-EN data sheet.

## Accessories

### Wrench

- galvanised steel material.

REF.	
FB069	





## AISI 316 Filter Housings



- Multicartridges filter housings flanged top opening AISI 316L for 3 cartridges, support legs, In/Out connections 2" BSP M or DN50 flange;
- Two ½" BSP connections for air valve pressure gauge and for drain filter;
- High resistance and strength electrowelded construction, complete with AISI 316 fixing cartridges accessories, glass blasted internal and outside treatment;
- European 2014/68/EU Directive compliant for pressure equipment (PED);
- D.M. n.174/2004 compliant about materials suitable for contact with water for human consumption;
- Max operating pressure = 8 bar;
- Hydraulic test pressure = 10 bar;
- Max operating temperature 80 °C;
- Gasket material EPDM;
- Suitable for DOE cartridges;
- Cartridges dimensions: ID min/max 26÷30 mm, OD max 70 mm and length 20"- 30"- 40".



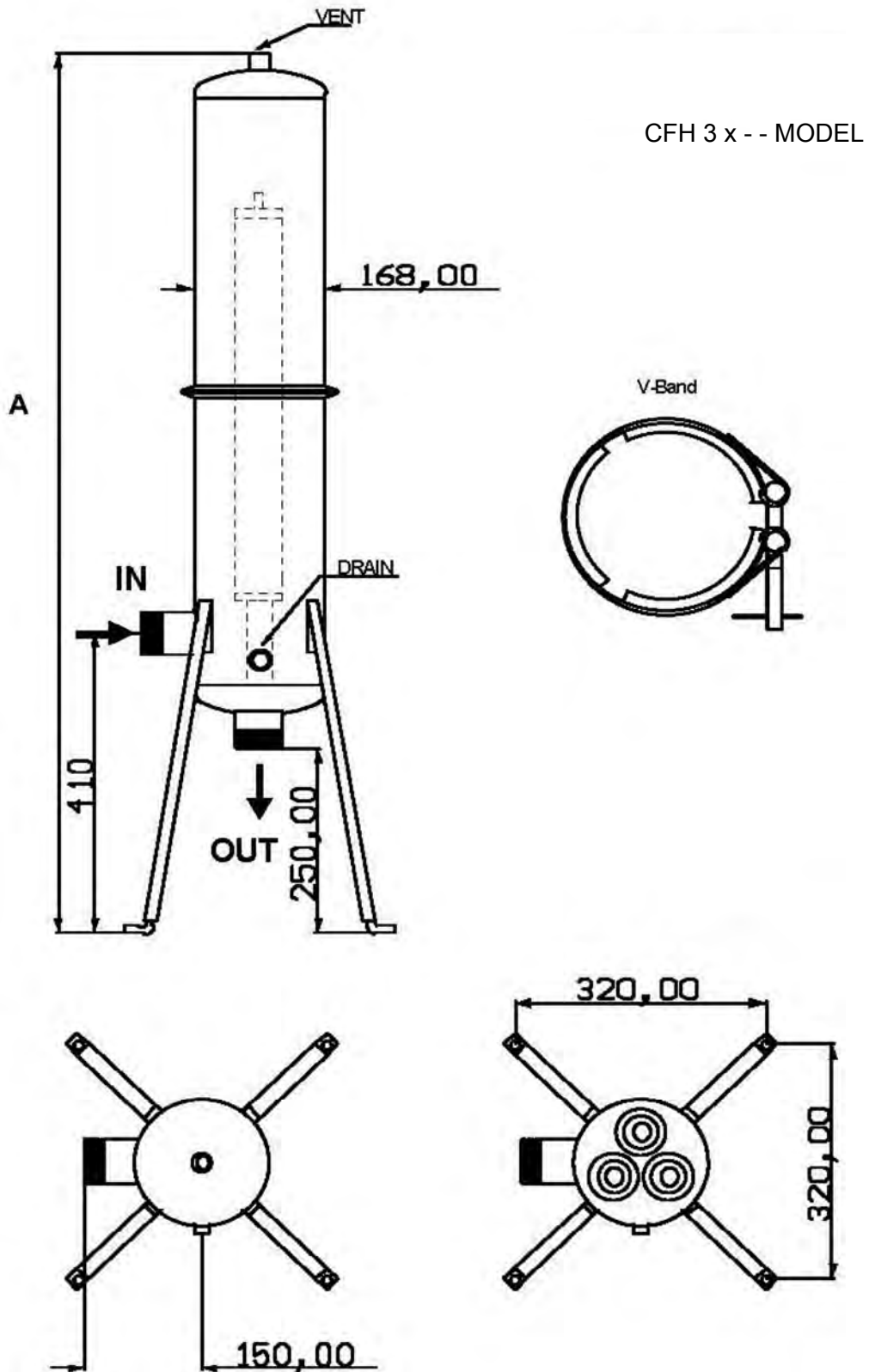
WARNING! The FA014 cartridge of our catalogue is not suitable for these housings.

REF.	MODEL	CARTRIDGES NUMBER	IN/OUT CONNECTIONS	A (mm)	WEIGHT (kg)	
FB040	CFH 3 x 20"	3 x 20"	2" BSP M	1200	20	
FB040A (*)	CFH 3 x 20"	3 x 20"	DN50 Flange	1200	22	
FB041	CFH 3 x 30"	3 x 30"	2" BSP M	1500	21	
FB041A (*)	CFH 3 x 30"	3 x 30"	DN50 Flange	1500	23	
FB041/1	CFH 3 x 40"	3 x 40"	2" BSP M	1600	22	
FB041/1A (*)	CFH 3 x 40"	3 x 40"	DN50 Flange	1600	24	

(\*) flanged version on demand not available in stock – Delivery 2-3 weeks.



# AISI 316 Filter Housings



## AISI 316 Filter Housings



- Multicartridges filter housings flanged top opening AISI 316L for 7 cartridges, support legs, In/Out connections 2 ½" BSP M or DN65 flange;
- Two ½" BSP connections for air valve pressure gauge and for drain filter;
- High resistance and strength electrowelded construction, complete with AISI 316 fixing cartridges accessories, glass blasted internal and outside treatment;
- European 2014/68/EU Directive compliant for pressure equipment (PED);
- D.M. n.174/2004 compliant about materials suitable for contact with water for human consumption;
- Max operating pressure = 8 bar;
- Hydraulic test pressure = 10 bar;
- Max operating temperature 80 °C;
- Gasket material EPDM;
- Suitable for DOE cartridges;
- Cartridges dimensions: ID min/max 26÷30 mm, OD max 70 mm and length 20"- 30"- 40".

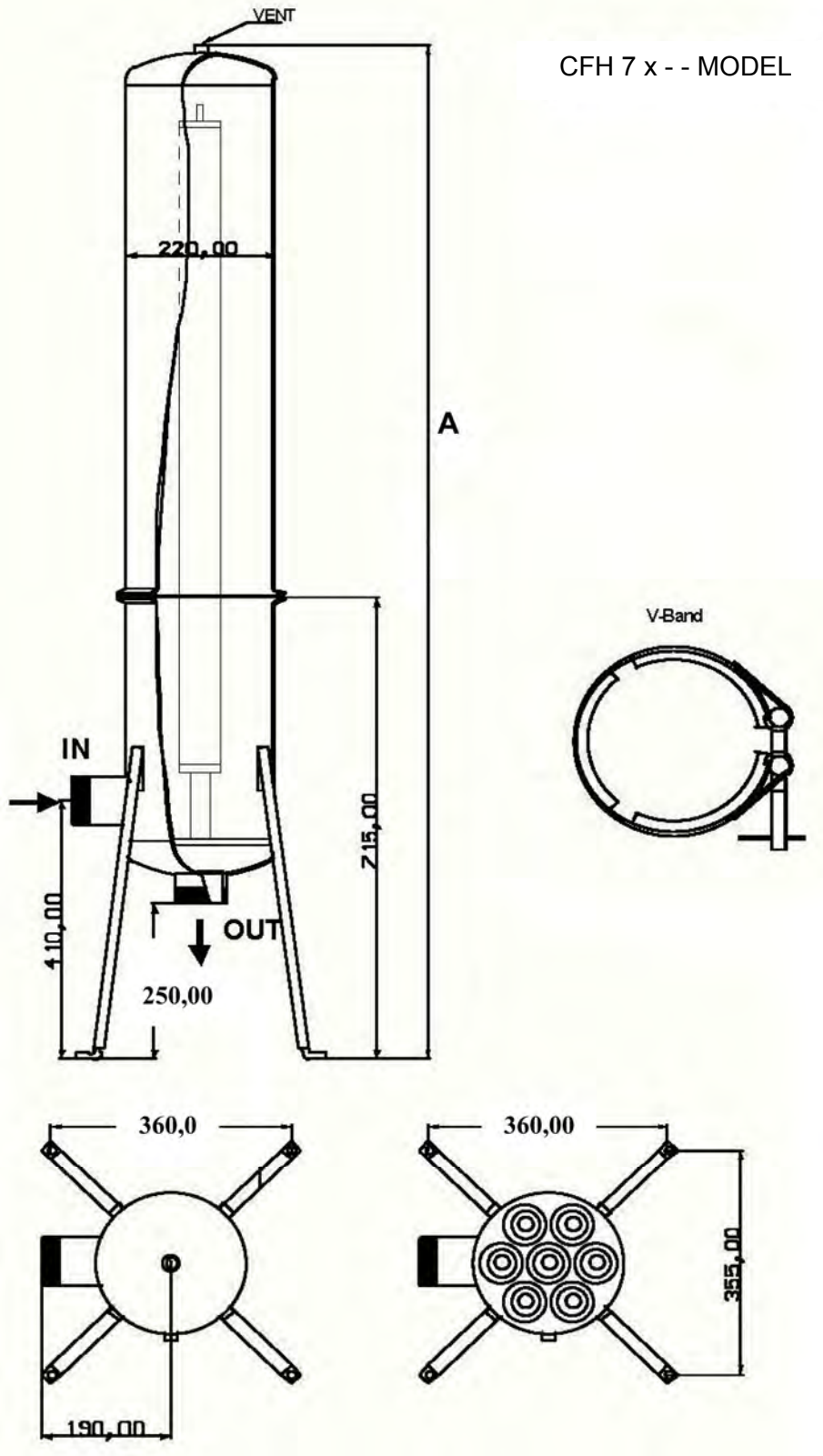


WARNING! The FA014 cartridge of our catalogue is not suitable for these housings.

REF.	MODEL	CARTRIDGES NUMBER	IN/OUT CONNECTIONS	A (mm)	WEIGHT (kg)	
FB042	CFH 7 x 20"	7 x 20"	2 ½" BSP M	1190	27	
FB042A (*)	CFH 7 x 20"	7 x 20"	DN65 Flange	1190	30	
FB043	CFH 7 x 30"	7 x 30"	2 ½" BSP M	1495	29	
FB043A (*)	CFH 7 x 30"	7 x 30"	DN65 Flange	1495	32	
FB044	CFH 7 x 40"	7 x 40"	2 ½" BSP M	1610	34	
FB044A (*)	CFH 7 x 40"	7 x 40"	DN65 Flange	1610	37	

(\*) flanged version on demand not available in stock – Delivery 2-3 weeks.

# AISI 316 Filter Housings



# AISI 316 Filter Housings

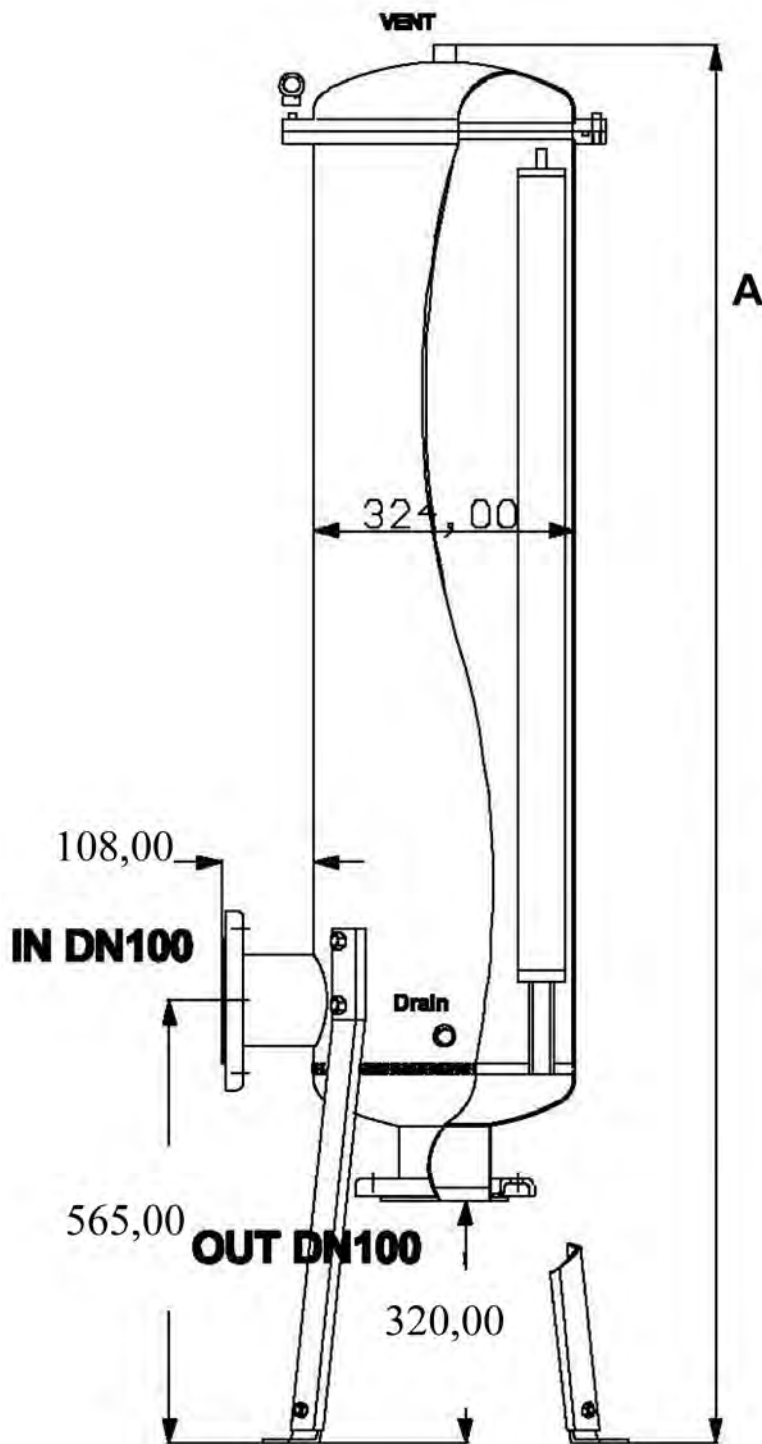


- Multicartridges filter housings flanged top opening AISI 316L for 15 cartridges, support legs, In/Out connections DN100;
- Two 1/2" BSP connections for air valve pressure gauge and for drain filter;
- High resistance and strength electrowelded construction, complete with AISI 316 fixing cartridges accessories, glass blasted internal and outside treatment;
- European 2014/68/EU Directive compliant for pressure equipment (PED);
- D.M. n.174/2004 compliant about materials suitable for contact with water for human consumption;
- Max operating pressure = 8 bar;
- Hydraulic test pressure = 10 bar;
- Max operating temperature 80 °C;
- Gasket material EPDM;
- Suitable for DOE cartridges;
- Cartridges dimensions: ID min/max 26÷30 mm, OD max 68 mm and length 30"- 40".

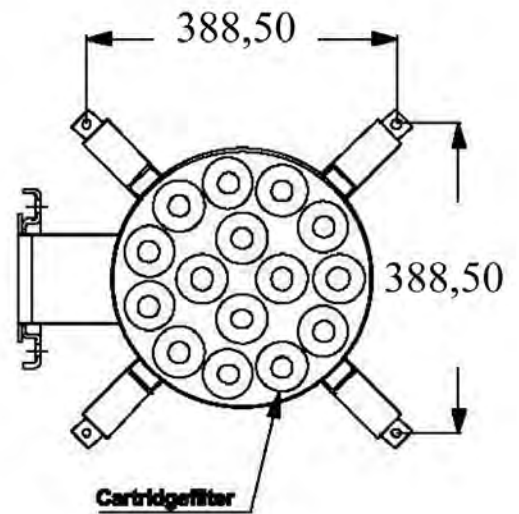
WARNING! The FA014 cartridge of our catalogue is not suitable for these housings.



REF.	MODEL	CARTRIDGES NUMBER	IN/OUT CONNECTIONS	A (mm)	WEIGHT (kg)	
FB045	CFH 15 x 30"	15 x 30"	DN100 Flange	1500	75	
FB046	CFH 15 x 40"	15 x 40"	DN100 Flange	1750	80	



CFH 15 x -- MODEL





# AISI 316 Filter Housings



- Multicartridges filter housings flanged top opening AISI 316L for 22 cartridges, In/Out connections DN150;
- Three ½” BSP connections for air valve pressure gauge and for drain filter;
- High resistance and strength electrowelded construction, complete with AISI 316 fixing cartridges accessories, glass blasted internal and outside treatment;
- European 2014/68/EU Directive compliant for pressure equipment (PED);
- D.M. n.174/2004 compliant about materials suitable for contact with water for human consumption;
- Max operating pressure = 8 bar;
- Hydraulic test pressure = 10 bar;
- Max operating temperature 80 °C;
- Gasket material EPDM;
- Suitable for DOE cartridges;
- Cartridges dimensions: ID min/max 26÷30 mm, OD max 70 mm and length 40”.



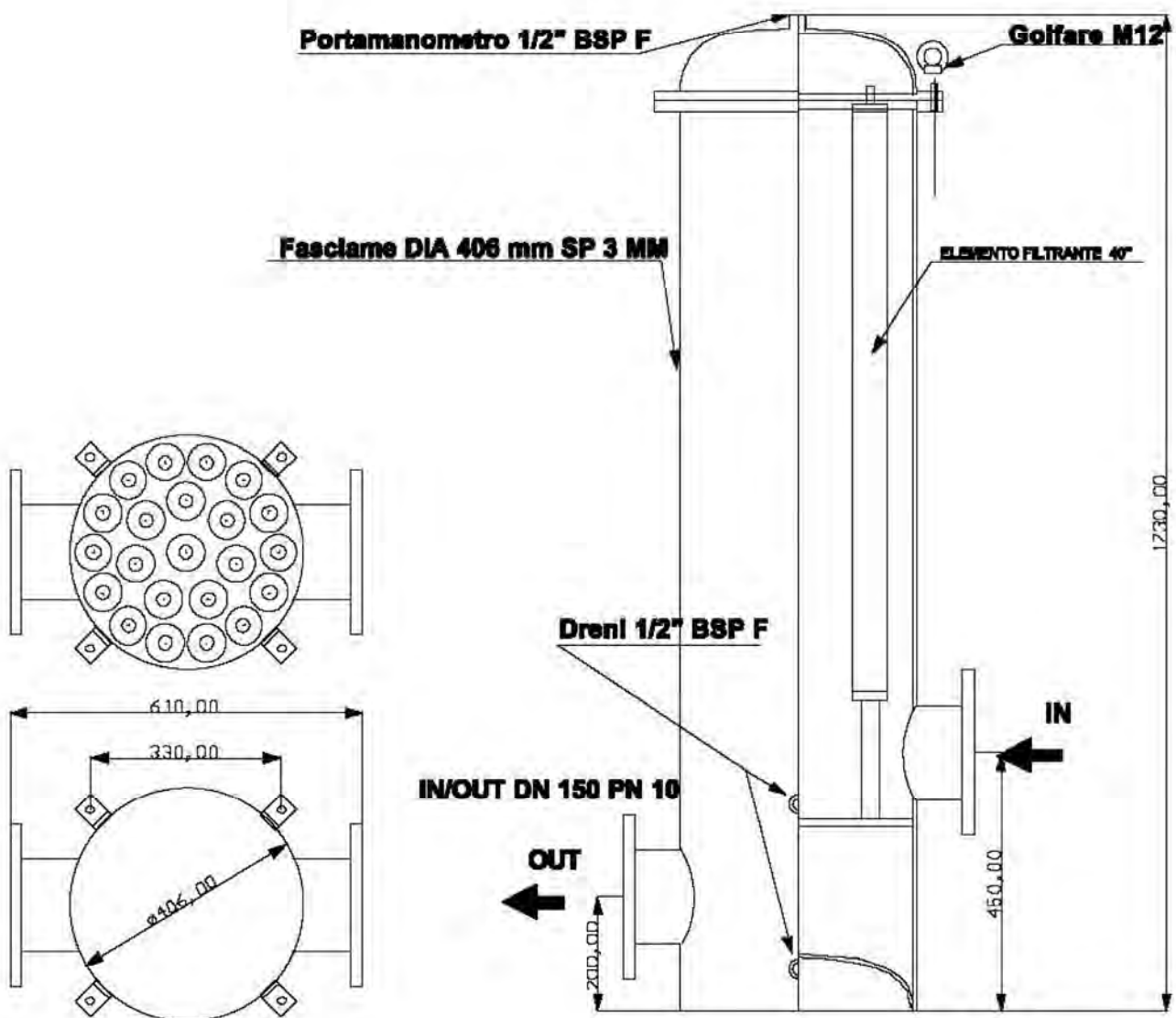
WARNING! The FA014 cartridge of our catalogue is not suitable for these housings.

REF.	MODEL	CARTRIDGES NUMBER	IN/OUT CONNECTIONS	WEIGHT (kg)	
FB046/1 (*)	CFH 22 x 40”	22 x 40”	DN150 Flange	138	

(\*) not available in stock.



CFH 22 x 40 MODEL



# Chemical High Resistance PVC-U Multicartridges Filter Housings HPCF Series



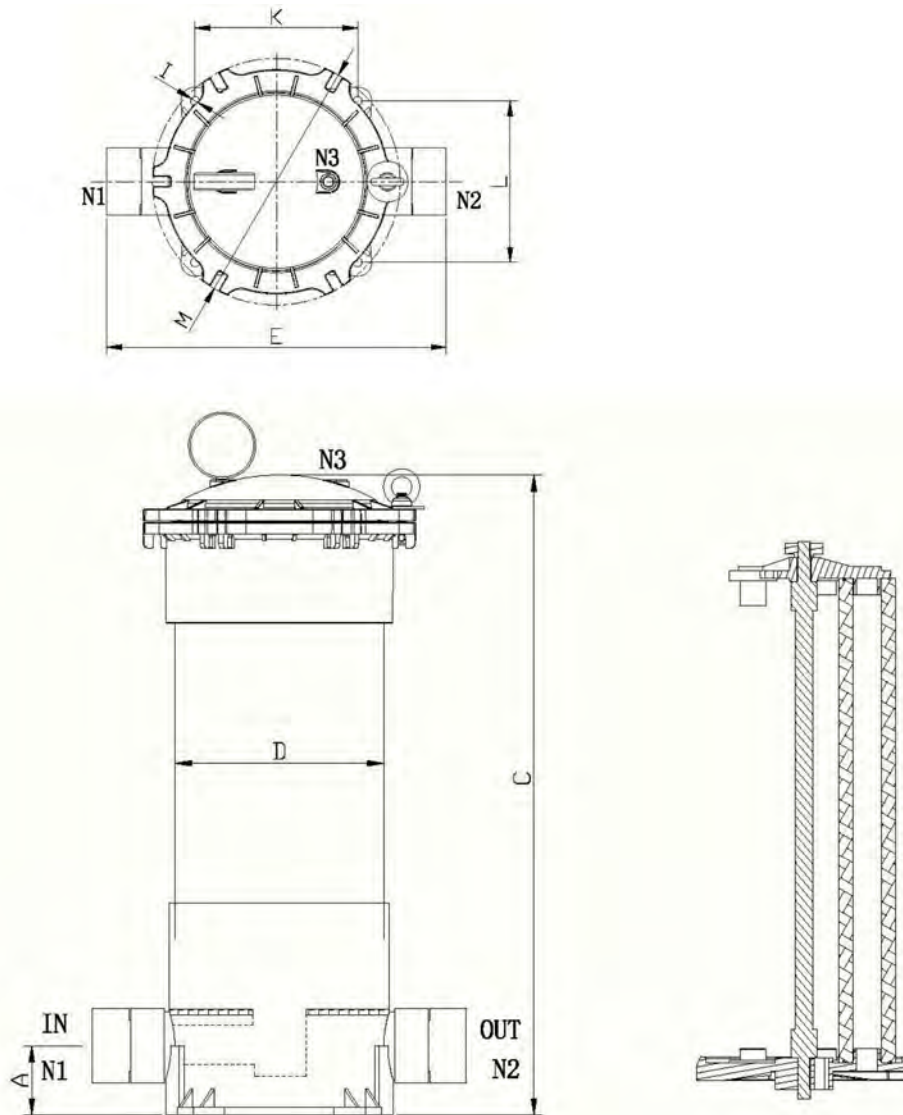
- PVC-U multicartridges filter housings for 5 cartridges flanged top opening;
- With three pieces in / out female socket weld connections;
- With two ¼" threaded connections for air valve pressure gauges and for drain filter;
- All filter housing internal material and all internal spare parts are in PVC-U for high chemical corrosion resistance;
- Opening gasket in silicone material;
- Connection gasket in EPDM material;
- With aeration valve and pressure gauge;
- European 2014/68/EU Directive compliant for pressure equipment (PED);
- Design pressure = 6,0 bar @ 25°C;
- Hydraulic test pressure = 7,8 bar;
- Max  $\Delta p$  = 1,4 bar;
- Operating temperature = 5 ÷ 40 °C;
- In/Out connections DN50 / D. 63 mm;
- Suitable for DOE cartridges;
- Cartridges dimensions: ID 28÷30 mm, OD max 70 mm and length 20"- 30"- 40".



**WARNING!** The FA014 cartridge of our catalogue is not suitable for these housings.

REF.	MODEL	CARTRIDGES NUMBER	WEIGHT (kg)	CAPACITY (litres)	NOMINAL FLOW RATE (lpm)	
FB560	HPCF/B-5DC2	n.5 2,5" x 20"	11,0	20,6	300	
FB561	HPCF/B-5DC3	n.5 2,5" x 30"	12,7	29,4	300	
FB562	HPCF/B-5DC4	n.5 2,5" x 40"	14,4	38,2	300	

# Chemical High Resistance PVC-U Multicartridges Filter Housings HPCF Series



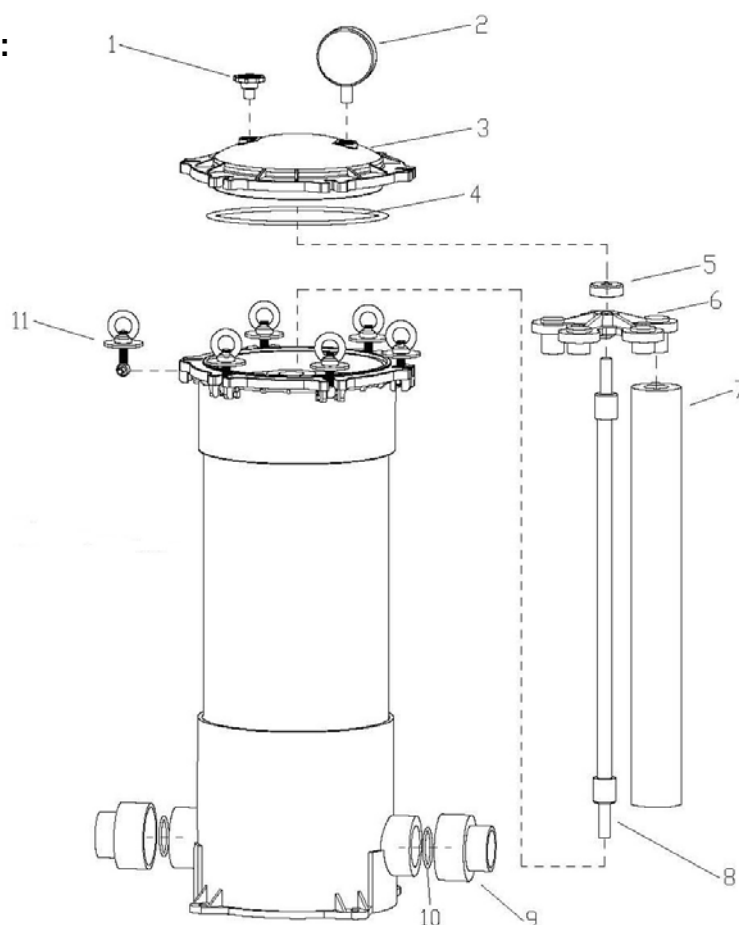
REF.	MODEL	A *	C *	D *	E *	I *	K *	L *	M *	N1 N2 *	N3
FB560	HPCF/B-5DC2	75	730	225	482	10	187,5	186	290	63	G ¼"
FB561	HPCF/B-5DC3	75	980	225	482	10	187,5	186	290	63	G ¼"
FB562	HPCF/B-5DC4	75	1230	225	482	10	187,5	186	290	63	G ¼"

\* Dimensions are in mm.

# Chemical High Resistance PVC-U Multicartridges Filter Housings HPCF Series



## SPARE PARTS:



ITEM	REF.	DESCRIPTION	Q.TY	MATERIAL	
1	FB366	PURGE CAP	1		
2	FB367	PRESSURE GAUGE 0-10 BAR ¼"	1		
1+3+4	FB580	FLANGED TOP COVER + PURGE CAP + O-RING	1		
4	FB363	O-RING FOR FLANGED TOP COVER	1	SILICONE	
5	FB574	CLOSURE CARTRIDGE NUT	3		
6	FB578	5DC CARTRIDGE FIXING STAR	1		
7		CARTRIDGE (NOT INCLUDED)			
8	FB575	ROD 20"	1		
	FB576	ROD 30"	1		
	FB577	ROD 40"	1		
10	FB371	T GASKET FOR MANIFOLD KIT D.63 MM	2		
9 + 10	FB572	MANIFOLD KIT D.63 MM WITH O-RING	2		
11	FB364	BOLT KIT M10	6	AISI	



# Chemical High Resistance PVC-U Multicartridges Filter Housing HPCF Series



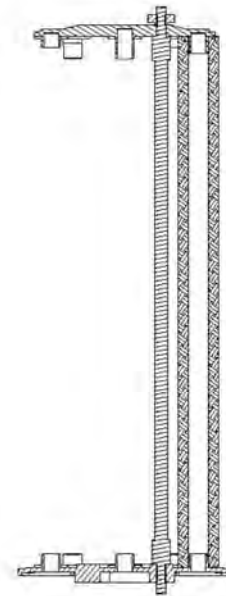
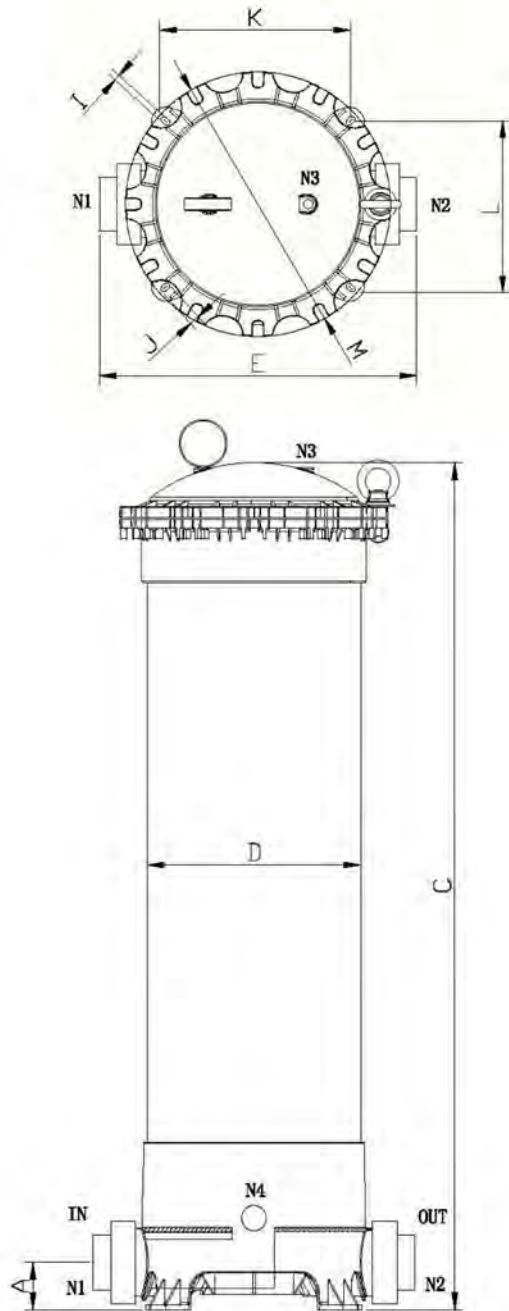
- PVC-U multicartridges filter housings for 9 cartridges flanged top opening;
- With three pieces in / out female socket weld connections;
- With two ¼" threaded connections for air valve pressure gauges and for drain filter;
- All filter housing internal material and all internal spare parts are in PVC-U for high chemical corrosion resistance;
- Opening gasket in silicone material;
- Connection gasket in EPDM material;
- With aeration valve and pressure gauge;
- European 2014/68/EU Directive compliant for pressure equipment (PED);
- Design pressure = 6,0 bar @ 25°C;
- Hydraulic test pressure = 7,8 bar;
- Max Δp = 1,4 bar;
- Operating temperature = 5 ÷ 40 °C;
- In/Out connections DN80 / D. 90 mm;
- 1" BSPT M (+ F 20 mm to glue) drain connection;
- Suitable for DOE cartridges;
- Cartridges dimensions: ID 28÷30 mm, OD max 70 mm and length 20" - 30" - 40".



WARNING! The FA014 cartridge of our catalogue is not suitable for these housings.

REF.	MODEL	CARTRIDGES NUMBER	WEIGHT (kg)	CAPACITY (litres)	NOMINAL FLOW RATE (lpm)	
FB564	HPCF/B-9DC2	n.9 2,5" x 20"	20,0	39,7	250	
FB565	HPCF/B-9DC3	n.9 2,5" x 30"	23,0	57,0	350	
FB566	HPCF/B-9DC4	n.9 2,5" x 40"	26,0	74,3	550	

# Chemical High Resistance PVC-U Multicartridges Filter Housings HPCF Series



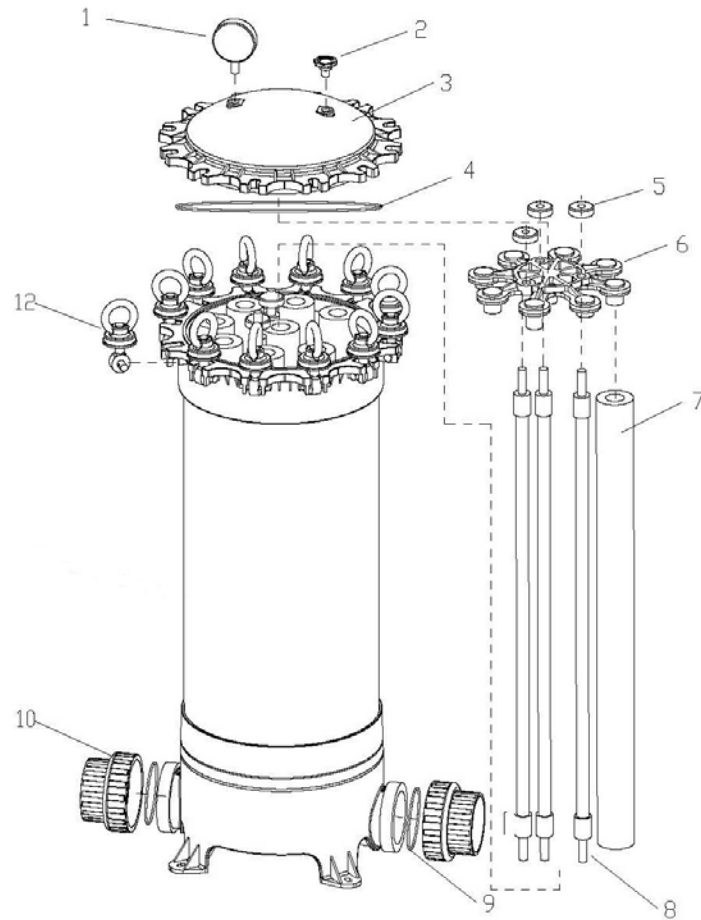
\* Dimensions are in mm.

REF.	MODEL	A *	C *	D *	E *	I *	J *	K *	L *	M *	N1 N2 *	N3	N4
FB564	HPCF/B-9DC2	69	765	315	520	9	15	276	249	372	90	G ¼"	1"
FB565	HPCF/B-9DC3	69	1015	315	520	9	15	276	249	372	90	G ¼"	1"
FB566	HPCF/B-9DC4	69	1265	315	520	9	15	276	249	372	90	G ¼"	1"

# Chemical High Resistance PVC-U Multicartridges Filter Housings HPCF Series



## SPARE PARTS:



ITEM	REF.	DESCRIPTION	Q.TY	MATERIAL	
1	FB367	PRESSURE GAUGE 0-10 BAR ¼"	1		
2	FB366	PURGE CAP	1		
2+3+4	FB581	FLANGED TOP COVER + PURGE CAP + O-RING	1		
4	FB571	O-RING FOR FLANGED TOP COVER	1	SILICONE	
5	FB574	CLOSURE CARTRIDGE NUT	3		
6	FB579	9DC CARTRIDGE FIXING STAR	1		
7		CARTRIDGE (NOT INCLUDED)			
8	FB575	ROD 20"	3		
	FB576	ROD 30"	3		
	FB577	ROD 40"	3		
9	FB583	T GASKET FOR MANIFOLD KIT D.90 MM	2		
9+10	FB573	MANIFOLD KIT D.90 MM WITH O-RING	2		
12	FB582	BOLT KIT M12	12	AISI	

# High Flow PVC-U Single Cartridge Filter Housings PF Series



- PVC-U single cartridge filter housings, with flanged top opening, support legs, in/out female socket weld connections and two ¼" threaded connections for air valve pressure gauges and for drain filter;
- all filter housing internal material and all internal spare parts are in PVC-U for high chemical corrosion resistance;
- opening gasket in silicone material;
- connection gasket in EPDM material;
- with aeration valve and pressure gauge;
- European 2014/68/EU Directive compliant for pressure equipment (PED);
- design pressure = 7,0 bar @ 25°C;
- hydraulic test pressure = 9,1 bar;
- max  $\Delta p$  = 1,4 bar;
- operating temperature = 5 ÷ 40 °C;
- In/Out flanged connections DN50;
- suitable for high flow "special pleated cartridges";
- cartridges dimensions: 6" x 20" and 6" x 40".



REF.	MODEL	CARTRIDGES NUMBER	WEIGHT (kg)	CAPACITY (litres)	NOMINAL FLOW RATE (lpm)	
FB360	PF20	n.1 6" x 20"	18,0	24,8	300	
FB361	PF40	n.1 6" x 40"	22,3	41,0	300	

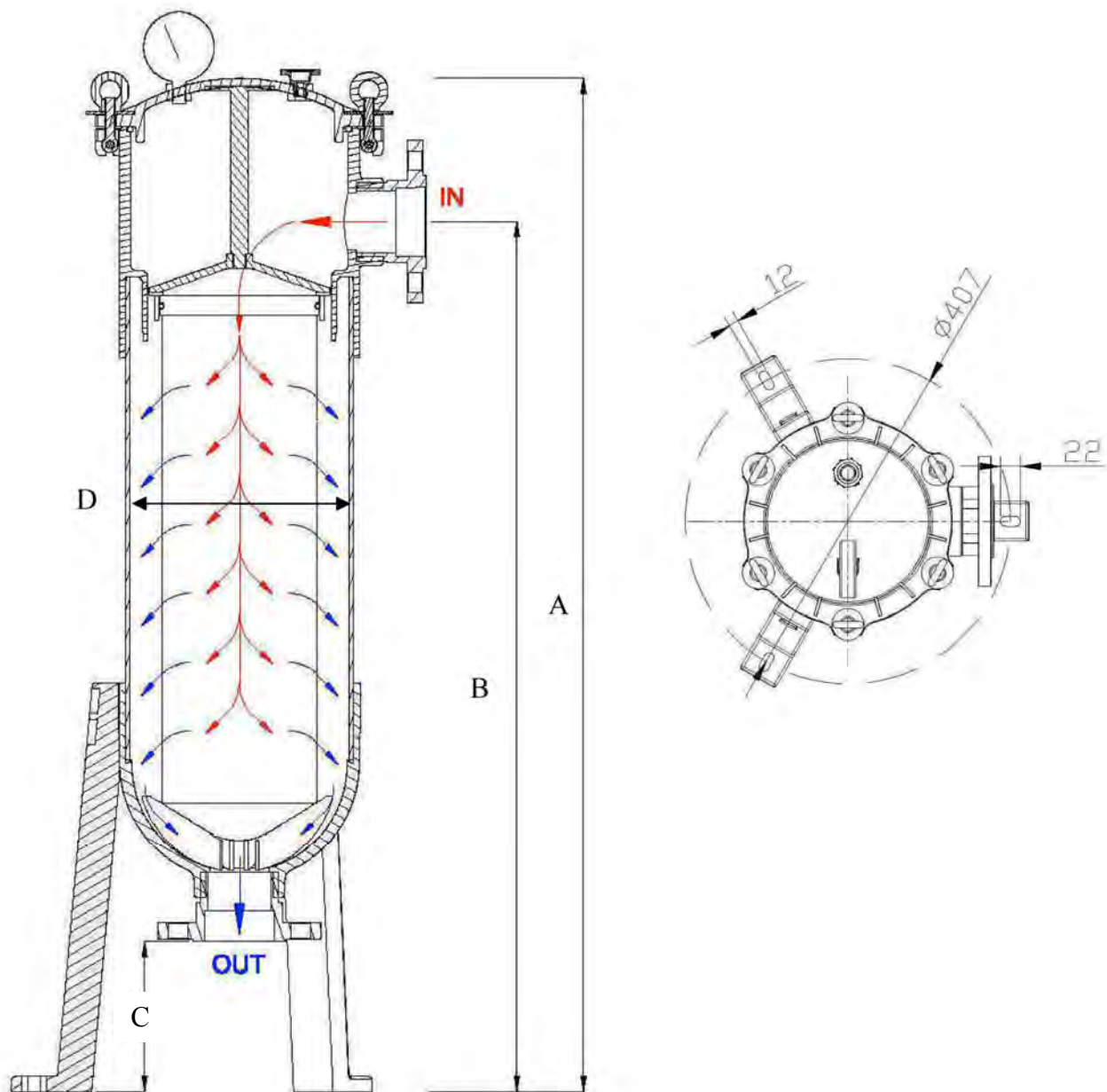
## Cartridge to coupling

- high flow "special pleated cartridges" single open-ended;
- filter media and support in PP, o-ring seal in EPDM;
- end caps in fiberglass reinforced PP;
- inside to outside flow pattern;
- external diameter = 6" (152 mm);
- recommended maximum  $\Delta P$  1,0 bar at 20°C.



REF.	MODEL	LENGTH (inch)	MICRON	NOMINAL FLOW RATE (lpm)	
FB376	DLHF620PP4.5E	20"	4,5	660	
FB379	DLHF620PP20E	20"	20	660	
FB381	DLHF620PP70E	20"	70	660	
FB382	DLHF620PP100E	20"	100	660	
FB386	DLHF640PP4.5E	40"	4,5	1300	
FB389	DLHF640PP20E	40"	20	1300	
FB391	DLHF640PP70E	40"	70	1300	
FB392	DLHF640PP100E	40"	100	1300	

# High Flow PVC-U Single Cartridge Filter Housings PF Series



REF.	MODEL	A *	B *	C *	D *
FB360	PF20	1070	905	165	225
FB361	PF40	1560	1395	165	225

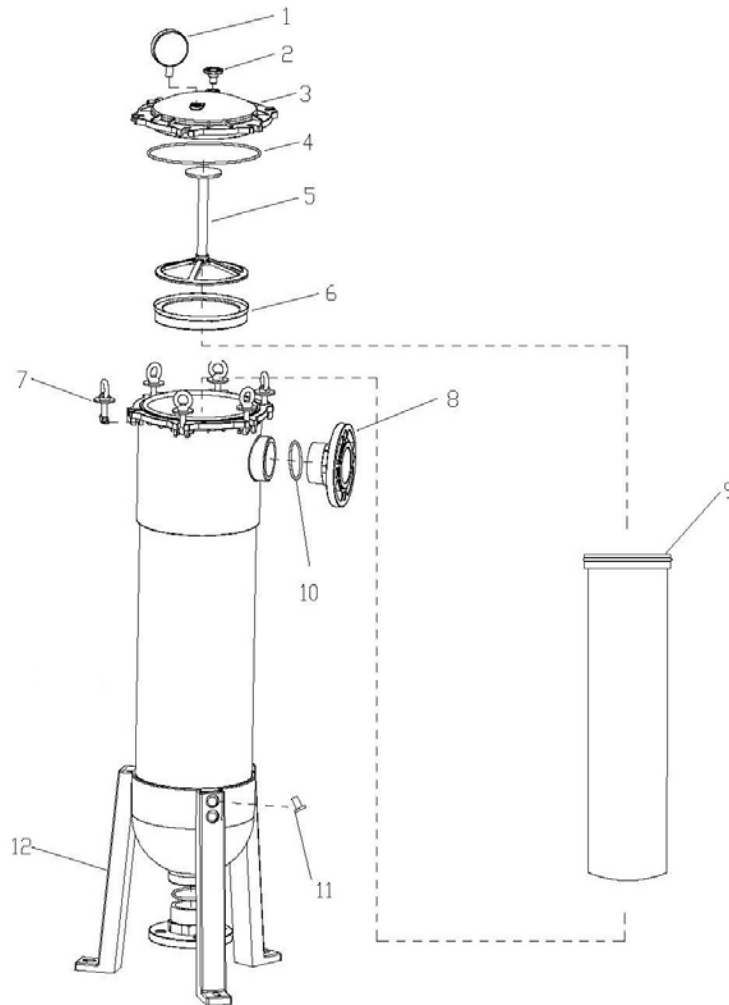
\* Dimensions are in mm.



# High Flow PVC-U Single Cartridge Filter Housings PF Series



## SPARE PARTS:



ITEM	REF.	DESCRIPTION	Q.TY	MATERIAL	
1	FB367	PRESSURE GAUGE 0-10 BAR 1/4"	1		
2	FB366	PURGE CAP	1		
2+3+4	FB580	FLANGED TOP COVER + PURGE CAP + O-RING	1		
4	FB363	O-RING FOR FLANGED TOP COVER	1	SILICONE	
5	FB368	SPACER	1	PVC	
6	FB359	SINGLE CARTRIDGE SEAL RING	1		
7	FB364	BOLT KIT M10	6	AISI	
8	FB370	DN50 FLANGE	2		
9		SINGLE CARTRIDGE (NOT INCLUDED)			
10	FB362	O-RING DN50 FLANGE	2		
11	FB374	SUPPORT LEG FIXING SCREW	6		
12	FB373	SUPPORT LEG	3		

# PVC-U Bag Filter System



- PVC-U bag filter housings, with flanged top opening, support legs, in/out female socket weld connections and two ¼" threaded connections for air valve pressure gauges and for drain filter;
- all filter housing internal material and all internal spare parts are in PVC-U for high chemical corrosion resistance;
- Opening gasket in silicone material;
- Connection gasket in EPDM material;
- With aeration valve and pressure gauge;
- European 2014/68/EU Dir. compliant for pressure equipment (PED);
- Nominal flow rate = 300 lpm;
- Design pressure = 7,0 bar @ 25°C;
- Hydraulic test pressure = 9,1 bar;
- Max  $\Delta p$  = 1,0 bar;
- Operating temperature = 5 ÷ 40 °C;
- In/Out flanged connections DN50;
- Suitable for bag filter;
- Bag filters dimensions: 7" x 16" and 7" x 32".



REF.	MODEL	BAG SIZE	WEIGHT (kg)	CAPACITY (litres)	NOMINAL FLOW RATE (lpm)	
FB355	HXP-BF-1-1-B	7" x 16"	15	17	300	
FB356	HXP-BF-1-2-B	7" x 32"	20	30	300	

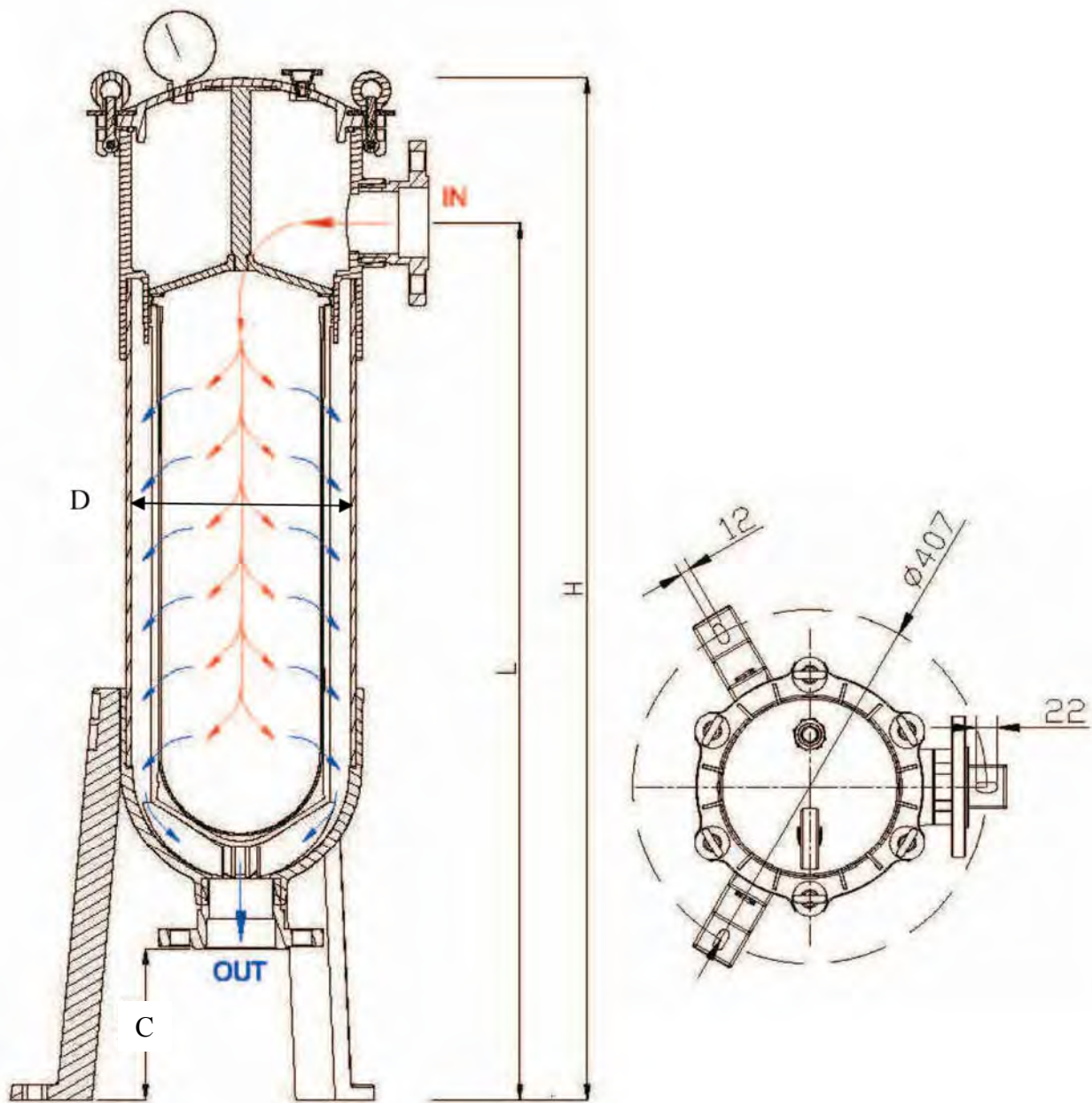
## Bag filters to coupling

- Inside to outside flow pattern;
- In PP material;
- External diameter = 7" (178 mm);
- Recommended maximum  $\Delta p$  = 1,0 bar at 20°C.



REF.	MODEL	LENGTH (inch)	MICRON	NOMINAL FLOW RATE (lpm)	
FB357A	BAG FILTER 1	16"	1	330	
FB357B	BAG FILTER 1	16"	5	330	
FB357C	BAG FILTER 1	16"	10	330	
FB357D	BAG FILTER 1	16"	25	330	
FB357E	BAG FILTER 1	16"	50	330	
FB357F	BAG FILTER 1	16"	100	330	
FB358A	BAG FILTER 2	32"	1	660	
FB358B	BAG FILTER 2	32"	5	660	
FB358C	BAG FILTER 2	32"	10	660	
FB358D	BAG FILTER 2	32"	25	660	
FB358E	BAG FILTER 2	32"	50	660	
FB358F	BAG FILTER 2	32"	100	660	

# PVC-U Bag Filter System



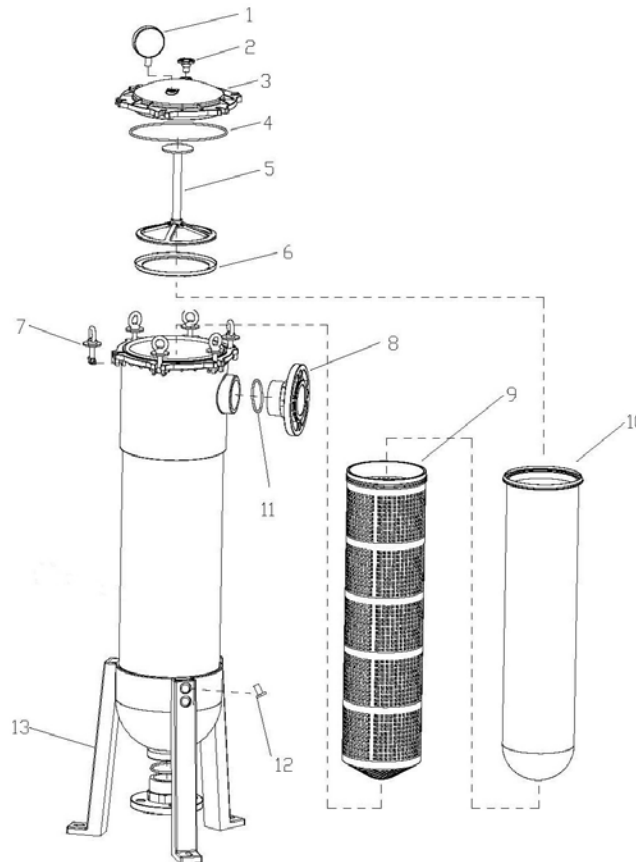
REF.	MODEL	C *	D *	H *	L *
FB355	HXP-BF-1-1-B	165	225	845	685
FB356	HXP-BF-1-2-B	165	225	1225	1065

\* Dimensions are in mm.

# PVC-U Bag Filter System



## SPARE PARTS:



ITEM	REF.	DESCRIPTION	Q.TY	MATERIAL	
1	FB367	PRESSURE GAUGE 0-10 BAR ¼"	1		
2	FB366	PURGE CAP	1		
2+3+4	FB580	FLANGED TOP COVER + PURGE CAP + O-RING	1		
4	FB363	O-RING FOR FLANGED TOP COVER	1	SILICONE	
5	FB368	SPACER	1	PVC	
6	FB359A	BAG FILTER SEAL RING	1		
7	FB364	BOLT KIT M10	6	AISI	
8	FB370	DN50 FLANGE	2		
9	FB383	16" FILTER SUPPORT ARMOR	1	PVC	
	FB383A	32" FILTER SUPPORT ARMOR	1	PVC	
10		BAG FILTER (NOT INCLUDED)			
11	FB362	DN50 FLANGE O-RING	2		
12	FB374	SUPPORT LEG FIXING SCREW	6		
13	FB373	SUPPORT LEG	3		

# High Flow Single Cartridge MWG EuroFlow Filter Housings EF Series



- Single cartridge filter housings with fiberglass reinforced plastic pressure vessels;
- White painted, UVA-ray proof material;
- Suitable for industrial applications, for high chemical corrosion resistance;
- Compact and modular design;
- Ease of installation and maintenance;
- O-ring in EPDM;
- Max operating pressure 150 psi (10 bar);
- Max  $\Delta p = 2$  bar;
- Operating temperature  $5 \div 49$  °C;
- pH range  $3 \div 11$ ;
- With 3" DN80 Victaulic In/Out coupling connections;
- Straps and saddles included;
- 2014/68/EU Directive compliant for pressure equipment (PED);
- Suitable for high flow "special pleated cartridges", with guiding ring;
- Cartridges dimensions: 6" x 20" and 6" x 40".

REF.	MODEL	CARTRIDGES NUMBER	WEIGHT (kg)	CAPACITY (liters)	NOMINAL FLOW RATE (lpm)	
FBEF20S3	EF20	n.1 6" x 20"	24	25	330	
FBEF40S3	EF40	n.1 6" x 40"	27	41	660	



# High Flow Single Cartridge MWG EuroFlow Filter Housings EF Series

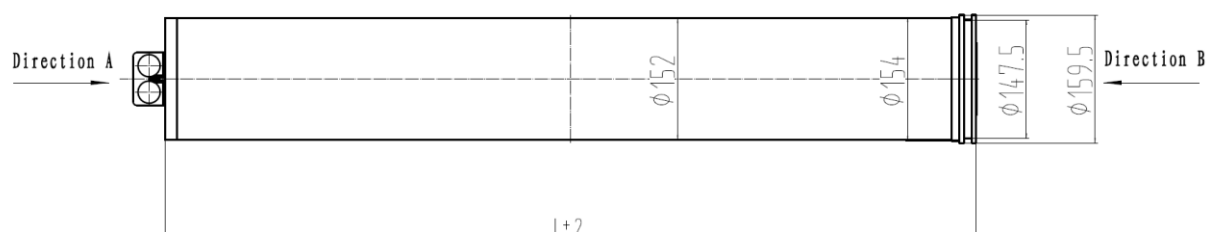


## Cartridge to coupling

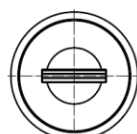
- High flow “special pleated cartridges” single open-ended;
- Filter media and support in PP, o-ring seal in EPDM;
- End caps in fiberglass reinforced PP;
- Inside to outside flow pattern;
- External diameter = 6” (152 mm);
- Recommended maximum  $\Delta P$  1,0 bar at 20°C.



REF.	LENGTH	MICRON	NOMINAL FLOW RATE (lpm)	
FAEF2001	20"	1	330	
FAEF2005	20"	5	330	
FAEF2010	20"	10	330	
FAEF2020	20"	20	330	
FAEF2050	20"	50	330	
FAEF20C1	20"	100	330	
FAEF20CL	20"	150	330	
FAEF20C2	20"	200	330	
FAEF4001	40"	1	660	
FAEF4005	40"	5	660	
FAEF4010	40"	10	660	
FAEF4020	40"	20	660	
FAEF4050	40"	50	660	
FAEF40C1	40"	100	660	
FAEF40CL	40"	150	660	
FAEF40C2	40"	200	660	



Direction A

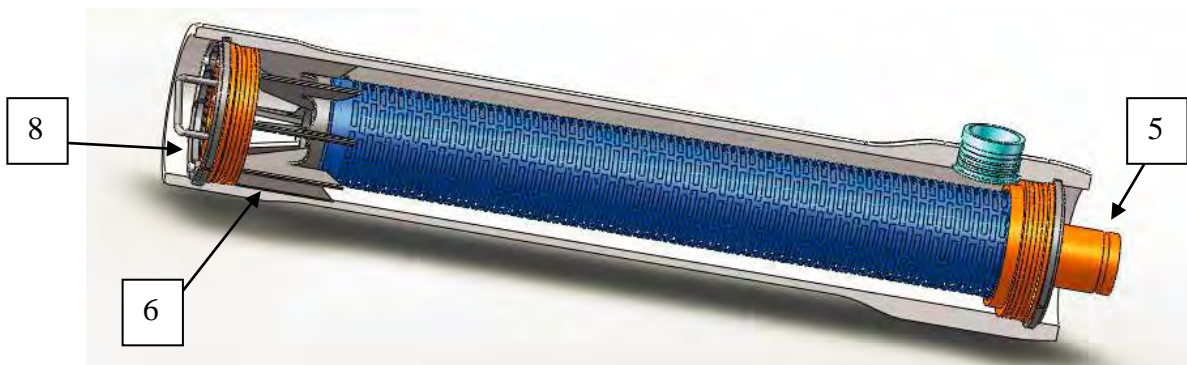
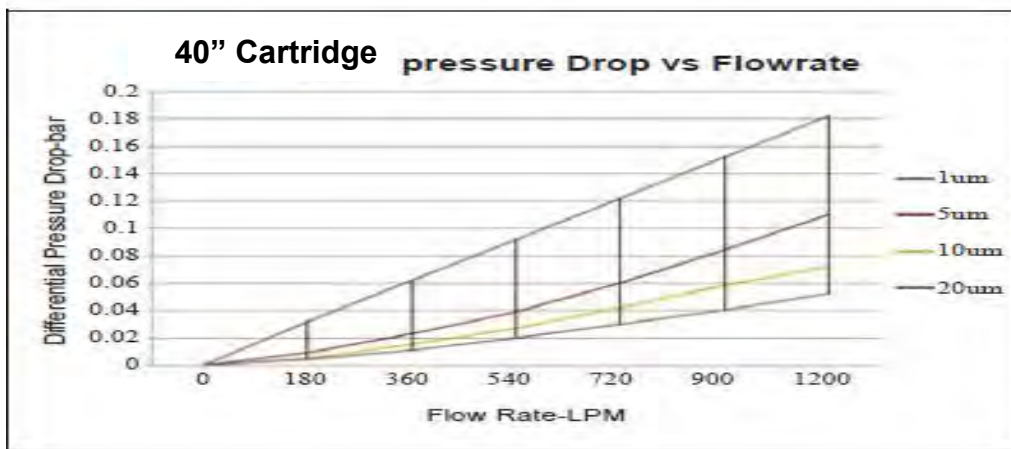


Direction B

Ref.	L (MM)
20"	508
40"	1016

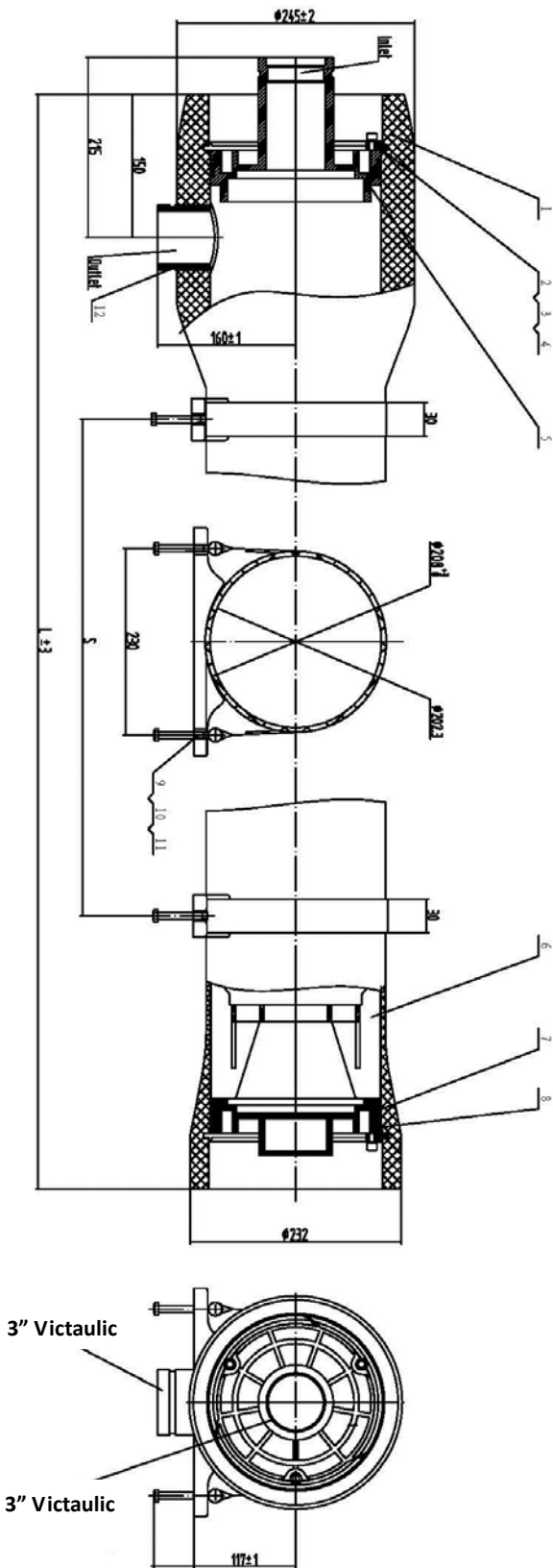


# High Flow Single Cartridge MWG EuroFlow Filter Housings EF Series



ITEM	REF.	DESCRIPTION	Q.TY	MATERIAL	NOTE
2+3+4	FBEFR27	LOCKING KIT SEGMENT	6	AISI 304	M8x16
5	FBEFR23	END CAP WITH CONNECTION	1	ABS	
6	FBEFR15	THRUST CONE	1	ABS	
7	FBEFR11	O-RING	3	EPDM	190x5,3
8	FBEFR21	HANDLED CLOSURE	1	ABS	
9+10	FBEFR13	STRAP	2	AISI 304 - Rubber	
11	H8R001	SADDLE	2	Rubber	
NOT SHOWN	FBEFR17	GUIDING RING	1		
NOT SHOWN	EA555	3" 300 PSI VICTAULIC COUPLING	2	NYLON	
NOT SHOWN	EA605	DN80-DN90 COUPLING ADAPTOR	2	PVC-U	

# High Flow Single Cartridge MWG EuroFlow Filter Housings EF Series



REF.	MODEL	L *	S *
FBEF20S3	EF20	792	350
FBEF40S3	EF40	1300	580

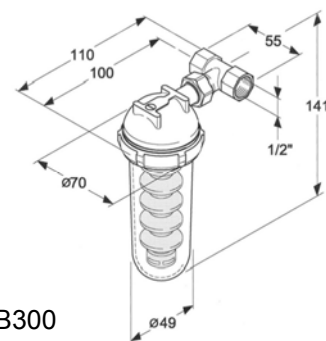
\* Dimensions are in mm.



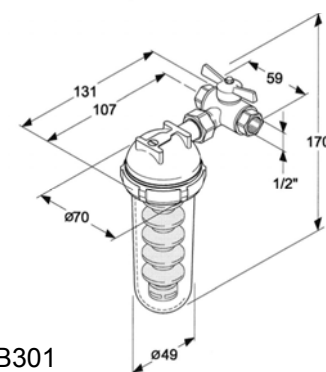
# Poliphosphate Proportioning Feeders



- proportional dosage to water flow through Venturi system;
- neutralizes the precipitation of calcium and magnesium carbonate up to 70°C making a protective coat over metallic share in contact with water;
- average dosage 3 ppm of P<sub>2</sub>O<sub>5</sub>;
- chrome plated brass head, trogamid sump;
- each feeder includes a polyphosphate package.
- IN-OUT connections 1/2" F;
- max operating pressure 10 bar;
- max operating temperature 40°C;
- flow rate 1.500 l/h;
- N.2 PF/H polyphosphate refills 80 g for hard water.



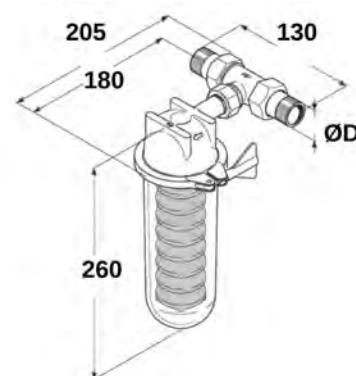
REF. FB300



REF. FB301

REF.	MODEL	BY-PASS OPTION	
FB300	DP 12 OR	WITHOUT BY-PASS	
FB301	DP 12 OR BP	WITH BY-PASS	

- max operating pressure 10 bar;
- max operating temperature 40°C;
- N.2 PF/H polyphosphate refills 400 g for hard water.



REF.	MODEL	IN-OUT CONNECTIONS	FLOW (l/h)	
FB302	DP 34 OR	3/4" M	2500	
FB303	DP 1 OR	1" M	3500	
FB304	DP 114 OR	1 1/4" M	4400	

Available polyphosphate packages as spare.

NOTE: PF/H type for hard water (> 15°F)

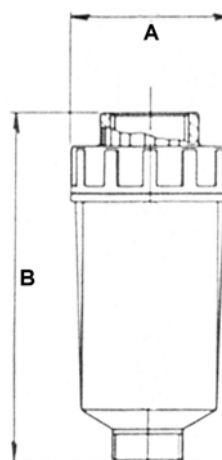
PF/S type for soft or softened (3 ÷ 15° F)

REF.	DESCRIPTION	PACKAGE (g)	
FB340	Polyphosphate PF/H for hard water	160	
FB341	Polyphosphate PF/H for hard water	400	
FB342	Polyphosphate PF/H for hard water	1000	
FB343	Polyphosphate PF/S for soft or softened	160	
FB344	Polyphosphate PF/S for soft or softened	400	
FB345	Polyphosphate PF/S for soft or softened	1000	

# Polyphosphate Crystals Feeder



- polyphosphate crystals feeder antiscaling;
- particular suitable for washing machines – dish washers – boilers;
- initial filling of polyphosphate included;
- max operating pressure 7 bar;
- max operating temperature 45°C.



REF.	CONNECTIONS (inch)	A (mm)	B (mm)	POLYPHOSPHATE FILLING (g)	
FB308	3/4"	55	125	130	

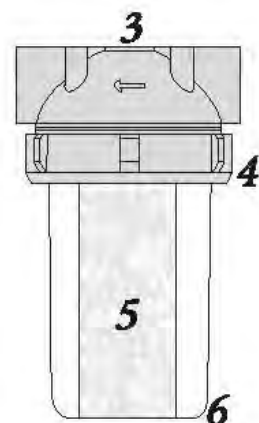
## Polyphosphate Crystals

- based on a mixture of selected high polymerization metaphosphates, in transparent vitreous state white colour;
- typical composition:  $P_2O_5 > 60\%$  and  $Na_2O = 30\%$  av.;
- to be used as antiscaling and corrosion inhibitor with water for potable and industrial applications;
- slow dissolution crystals, proportional to crystal size, temperature, pH and water hardness.

REF.	DIMENSIONS (mm)	PACKAGE (kg)	
FB350	5 ÷ 15	25	
FB351	10 ÷ 20	25	



- Particular suitable for washing machines – dish washers – boilers;
- Chrome plated brass head (item 3 and 4);
- IN/OUT connections 1/2”;
- Grilamid sump (item 6);
- Supplied with the first charge of polyphosphate (170 g);
- Operating flow rate 1200 l/h;
- Max operating temperature= 20°C;
- Max operating pressure = 16 bar;
- Test pressure = 50 bar;
- Empty weight 1.2 kg;
- Conform with the Italian DM25/2012 and DM174/2004;
- The presence of silicate ensures greater protection of metal parts against corrosion;
- The spherical shape of the polyphosphate in our FB701 allows a greater regularity of the product consumption and consequently a more regular dosage.



REF.	MODEL	
FB700 (*)	DP 12 WITH CARTRIDGE	
FB701 (*)	DP 12 SPHERICAL WITH CARTRIDGE	

(\*) not available in stock.

## Spare Parts

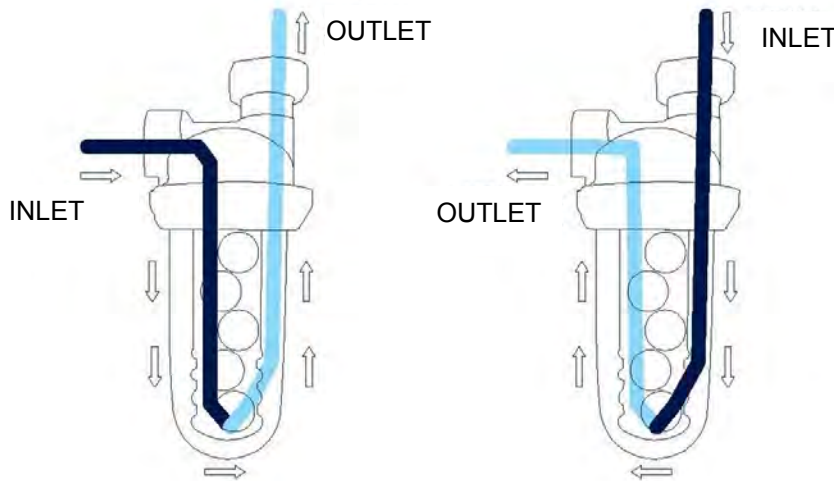
ITEM	REF.	DESCRIPTION	
5	FB730 (*)	CARTRIDGE FOR FB700	
5	FB731 (*)	CARTRIDGE FOR FB701	



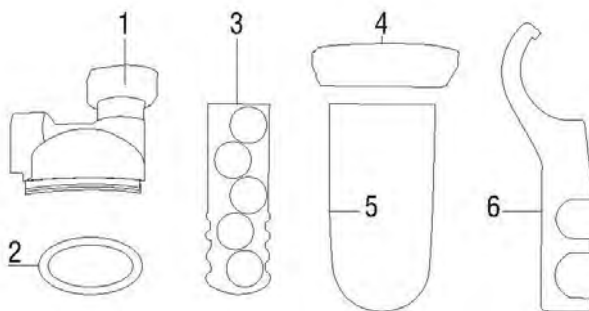
# Polyphosphate Feeders with Cartridges



- Particular suitable for washing machines – dish washers – boilers;
- Chrome plated brass head (item 1 and 4), Grilamid sump (item 5);
- 1/2" inlet and 1/2" outlet can be either vertical or horizontal connection: a kit provides a reduction from 3/4" to 1/2";
- Supplied with the first charge of polyphosphate (item 3);
- Operating flow rate 1200 l/h;
- Max operating temperature = 40°C;
- Max operating pressure = 10 bar, Test pressure = 30 bar;
- Empty weight 700 g;
- Conform with the Italian DM25/2012 and DM174/2004;
- Available on demand a wrench (our ref. FB317) to facilitate the disassembly of the housing.



REF.	MODEL	
FB702 (*)	DP 12 34 WITH CARTRIDGE	



(\*) not available in stock.

## Spare Parts and Accessories

ITEM	REF.	DESCRIPTION	
3	FB732 (*)	N.2 CARTRIDGES FOR FB702	
6	FB317 (*)	WRENCH DP 12	



