



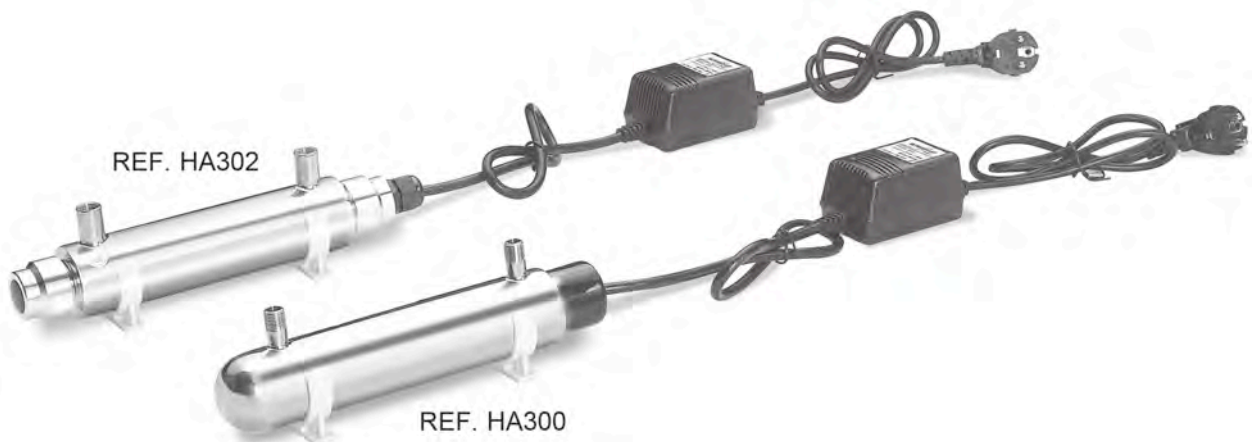
## UV sterilizers and spare parts



## Residential U.V. Sterilizers Inox



- monolamp U.V. sterilizer of close construction in AISI 304 polished material for point-of-use treatment devices;
- conform with CE safety Directives;
- D.M. n.174 dated 06/04/2004 compliant about materials suitable for contact with water for human consumption;
- complete with n.2 diameter 2" fixing clips and with n.2 JACO 1/4" elbows;
- power box with electronic circuit, cable and plug;
- failure led and alarm system;
- lamp quartz sheath;
- max operating pressure 7 bar;
- temperature 2 ÷ 40°C;
- power supply 230 V – 50 Hz;
- irradiation > 30 mJ/cm<sup>2</sup>;
- lamp life 8.000 hours;
- protection class IP42;
- for relative spare parts see 07-02-01-EN data sheet.



REF.	MODEL	MAX FLOW (l/h)	LAMPS NUMBER	POWER (W)	CONNECTIONS	DIAMETER (mm)	LENGTH (mm)	
HA300	HR-60	240	1	10	1/4" BSP M	50,8	260	
HA302	PC-1	240	1	10	1/4" BSP M	50,8	268	

## Residential U.V. Sterilizers W Series



- to be used for residential water disinfection systems;
- monolamp U.V. sterilizer of close construction in AISI 304 polished material;
- power box with electronic circuit, cable and plug;
- failure led and alarm system;
- conform with CE safety Directives;
- D.M. n.174 dated 06/04/2004 compliant about materials suitable for contact with water for human consumption;
- lamp quartz sheath;
- max operating pressure 7 bar;
- temperature 2 ÷ 40°C;
- power supply 230 V – 50 Hz;
- irradiation > 30 mJ/cm<sup>2</sup>;
- lamp life 10.000 hours;
- protection class IP42;
- for relative spare parts see 07-02-01-EN data sheet.

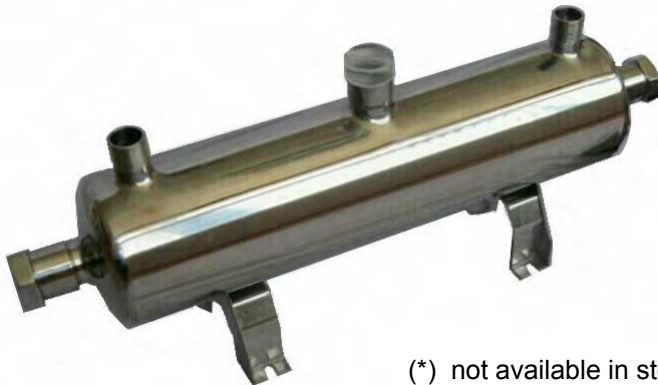


REF.	MODEL	MAX FLOW (l/h)	LAMPS NUMBER	POWER (W)	CONNECTIONS	DIAMETER (mm)	LENGTH (mm)	
HA310	W-180	680	1	15	½" BSP M	63,5	364	
HA315	W-360	1360	1	21	½" BSP M	63,5	544	
HA320	W-480	1810	1	29	½" BSP M	63,5	694	
HA325	W-720	2720	1	40	¾" BSP M	63,5	924	

# Industrial U.V. Sterilizers FC Series



- to be used for commercial and industrial water disinfection systems;
- monolamp U.V. sterilizer with polished AISI 304 sterilizing chamber (option in AISI 316L not available in stock) with inspection window and drain connection;
- electric box with electronic circuit, connection cable, operating time meter and switch;
- operating and failure led, with alarm system (excepted models FC-35 and FC-45);
- conform with CE safety Directives;
- D.M. n.174 dated 06/04/2004 compliant about materials suitable for contact with water for human consumption;
- lamp quartz sheath;
- max operating pressure 7 bar, temperature  $2 \div 40^{\circ}\text{C}$ ;
- power supply 230 V – 50 Hz, irradiation  $> 40 \text{ mJ/cm}^2$ , lamp life 10.000 hours;
- protection class IP43;
- possibility of connection with shut down solenoid valve (only for models FC-35 and FC-45);
- for relative spare parts see 07-02-01-EN data sheet.



(\* ) not available in stock.

REF.	MOD.	AISI	MAX FLOW (l/h)	POWER (W)	CONNECTIONS	DIAMETER (mm)	LENGHT (mm)	
HA350	FC-8	304	1.810	29	¾" BSP M	114	710	
HA350A (*)	FC-8	316L	1.810	29	¾" BSP M	114	710	
HA355	FC-12	304	2.720	40	1" BSP M	133	940	
HA355A (*)	FC-12	316L	2.720	40	1" BSP M	133	940	
HA360	FC-15	304	3.400	65	1" BSP M	133	940	
HA360A (*)	FC-15	316L	3.400	65	1" BSP M	133	940	
HA365	FC-20	304	4.536	65	1 ½" BSP M	160	940	
HA365A (*)	FC-20	316L	4.536	65	1 ½" BSP M	160	940	
HA370	FC-24	304	5.443	80	1 ½" BSP M	160	940	
HA370A (*)	FC-24	316L	5.443	80	1 ½" BSP M	160	940	
HA375	FC-35	304	7.938	100	2" BSP M	160	1.235	
HA375A (*)	FC-35	316L	7.938	100	2" BSP M	160	1.235	
HA380	FC-45	304	10.200	120	2" BSP M	160	1.235	
HA380A (*)	FC-45	316L	10.200	120	2" BSP M	160	1.235	

# Industrial Flanged Multilamp U.V. Sterilizers FC-D Series



- to be used for industrial water disinfection systems;
- multilamp U.V. sterilizer with polished AISI 304 sterilizing chamber (option in AISI 316L not available in stock) with inspection window and drain connection;
- electric box with electronic circuit, connection cable, operating time meter and switch;
- operating and service/failure led;
- conform with CE safety Directives;
- D.M. n.174 dated 06/04/2004 compliant about materials suitable for contact with water for human consumption;
- lamp quartz sheath;
- max operating pressure 7 bar;
- temperature  $2 \div 40^{\circ}\text{C}$ ;
- power supply 230 V – 50 Hz;
- irradiation  $> 40 \text{ mJ}/\text{cm}^2$ ;
- lamp life 10.000 hours;
- protection class IP43;
- possibility of connection with shut down solenoid valve;
- for relative spare parts see 07-02-01-EN data sheet.



(\*) not available in stock.

REF.	MODEL	AISI	MAX FLOW (l/h)	LAMP NUMBER	POWER (W)	CONNECTIONS	DIAMETER (mm)	LENGTH (mm)	
HA400	FC-70D	304	15.900	2	200	DN50 FLANGED	220	1.250	
HA400A (*)	FC-70D	316L	15.900	2	200	DN50 FLANGED	220	1.250	
HA410	FC-120D	304	27.250	3	360	DN65 FLANGED	273	1.250	
HA410A (*)	FC-120D	316L	27.250	3	360	DN65 FLANGED	273	1.250	
HA420	FC-180D	304	40.880	5	600	DN80 FLANGED	323	1.250	
HA420A (*)	FC-180D	316L	40.880	5	600	DN80 FLANGED	323	1.250	
HA430	FC-250D	304	56.780	7	840	DN100 FLANGED	400	1.250	
HA430A (*)	FC-250D	316L	56.780	7	840	DN100 FLANGED	400	1.250	

# U.V. Sterilizers HR - PC - W - FC - FC/D Spare Parts



REF.	DESCRIPTION	STERILIZERS UV		
HA500	LAMP UV - T5L10 W - D.18 x L.219 mm	HR-60	PC-1	
HA502	LAMP UV - T5L15 W - D.18 x L.310 mm	W-180		
HA504	LAMP UV - T5L21 W - D.18 x L.444 mm	W-360		
HA506	LAMP UV - T5L29 W - D.18 x L.630 mm	W-480	FC-8	
HA508	LAMP UV - T5L40 W - D.18 x L.850 mm	W-720	FC-12	
HA510	LAMP UV - T5L65 W - D.18 x L.850 mm	FC-15	FC-20	
HA512	LAMP UV - T6L80 W - D.23 x L.850 mm	FC-24		
HA514	LAMP UV - T6L100 W - D.23 x L.1160 mm	FC-35 2x FC-70D		
HA516	LAMP UV - T6L120 W - D.18 x L.1150 mm	FC-45 3x FC-120D	5x FC-180D	7x FC-250D
HA530	LAMP UV - T5L10 W QUARTZ SHEATH D.24,5 x L.250 mm ONE OPEN END	HR-60		
HA531	LAMP UV - T5L10 W QUARTZ SHEATH D.24,5 x L.250 mm	PC-1		
HA532	LAMP UV - T5L15 W QUARTZ SHEATH D.24,5 x L.350 mm	W-180		
HA534	LAMP UV - T5L21 W QUARTZ SHEATH D.24,5 x L.530 mm	W-360		
HA536	LAMP UV - T5L29 W QUARTZ SHEATH D.24,5 x L.680 mm	W-480	FC-8	
HA538	LAMP UV - T5L40-65 W QUARTZ SHEATH D.24,5 x L.910 mm	W-720 FC-12	FC-15	
HA540	LAMP UV - T5L65W - T6L80W QUARTZ SHEATH D.30,0 x L.910 mm	FC-20	FC-24	
HA542	LAMP UV - T6L100-120 W QUARTZ SHEATH D.30,0 x L.1205 mm	FC-35 3x FC-120D	FC-45 5x FC-180D	2x FC-70D 7x FC-250D

# U.V. Sterilizers HR - PC - W - FC - FC/D Spare Parts



REF.	DESCRIPTION	STERILIZERS UV			
HA550	QUARTZ O-RING SILICONE FOR TUBE D.24,5 mm	HR-60 W-180	PC-1 W-360	W-480	W-720
HA550A	QUARTZ O-RING VITON FOR TUBE D.24,5 mm	FC-8	FC-12	FC-15	
HA552A	QUARTZ O-RING VITON FOR TUBE D.30,0 mm	FC-20 FC-70D	FC-24 FC-120D	FC-35 FC-180D	FC-45 FC-250D
HA552 (*)	QUARTZ O-RING SILICONE FOR TUBE D.30,0 mm	OPTIONAL			
HA560	ELECTRONIC BALLAST UV-3 230V/50Hz FOR LAMP 10 - 16 W	HR-60	PC-1	W-180	
HA562	ELECTRONIC BALLAST UV-6 90-264V/50-60Hz FOR LAMP 20 - 40 W	W-360	W-480	W-720	
HA563	INSIDE ELECTRONIC BALLAST UV-6 90-264V/50-60Hz FOR LAMP 20 - 40 W	FC-8	FC-12		
HA564	INSIDE ELECTRONIC BALLAST UV-8 90-264V/50-60Hz FOR LAMP 65 - 80 W	FC-15	FC-20	FC-24	
HA566	INSIDE ELECTRONIC BALLAST UV-12 100-240V/50Hz 100 - 120 W SINGLE-LAMP	FC-35 FC-70D	FC-45 FC-120D	FC-180D	FC-250D
HA570	ELECTRICAL PANEL COMPLETE	FC-8	FC-12		
HA572	ELECTRICAL PANEL COMPLETE	FC-15	FC-20	FC-24	
HA574	ELECTRICAL PANEL COMPLETE	FC-35	FC-45		
HA576	ELECTRICAL PANEL COMPLETE	FC-70D			
HA577	ELECTRICAL PANEL COMPLETE	FC-120D			
HA578	ELECTRICAL PANEL COMPLETE	FC-180D			
HA579	ELECTRICAL PANEL COMPLETE	FC-250D			

(\*) available till it will be out-of-stock.

## Old U.V. Sterilizers Spare Parts



REF.	DESCRIPTION	
HA055	Plastic Lamp UV 6 W D.16,0 x L.210 mm	
HA049	Lamp UV 6 W Inox 2+2 pin D.16,0 x L.225 mm	
HA050	Lamp 10 W D.18,0 x L.210 mm (white base)	
HA051	Lamp 12 W D.18,0 x L.210 mm (green base)	
HA052	Lamp 16 W D.18,0 x L.330 mm	
HA053	Lamp 30 W D.18,0 x L.450 mm	
HA508 (*)	Lamp 40 W D.18,0 x L.850 mm	
HA056	Lamp 80 W D.18,0 x L.850 mm	
HA065	Quartz for plastic lamp 6 W UV D.22,0 x L.249 mm	
HA067	Quartz for lamp 6 W UV Inox D.22,0 x L.251 mm	
HA060	Quartz for lamp 10 W D.22,0 x L.204 mm	
HA061	Quartz for lamp 12 W D.22,0 x L.238 mm	
HA062	Quartz for lamp 16 W D.22,0 x L.370 mm	
HA063	Quartz for lamp 30 W D.22,0 x L.500 mm	
HA064	Quartz for lamp 40 W and 80 W D.22,0 x L.900 mm	
HA074	Quartz o-ring silicone D.22,0 mm	
HA058	Electronic Ballast UV 6 W Inox	
HA069	Electronic Ballast UV 6 W plastic	
HA070	Transformer UV 12-16	
HA073	Power electrical board UV 30-40-240-340	
HA073A	Power electrical board UV 440-540	

(\*) Please, ask to our Technical Department in order to verify the suitability with the old Models.



# Industrial U.V. Sterilizers in HDPE



- Made in European Union (Italy);
- To be used for industrial water disinfection systems;
- With reactor in HDPE, available on demand with sensor;
- Electric box with electronic circuit, connection cable, operating time meter and switch;
- Operating and failure led;
- Conform with CE safety Directives and D.M. n.174 dated 06/04/2004 compliant about materials suitable for contact with water for human consumption;
- With lamp quartz sheath;
- Max operating pressure 6 bar (4 bar for HA830 and HA832);
- Temperature: 5 ÷ 35°C;
- UVC transmittance 99% - 1cm, UVC dose 400 J/m<sup>2</sup> ;
- Power supply 230 V – 50/60 Hz;
- Reactor protection class IP65;
- Control panel protection class IP54 (IP55 for models less than 15 m<sup>3</sup>/h);
- Possibility of connection with shut down solenoid valve;
- Optional alarm system and cleaning system.

↑ From bottom to top.

↔ Both directions.

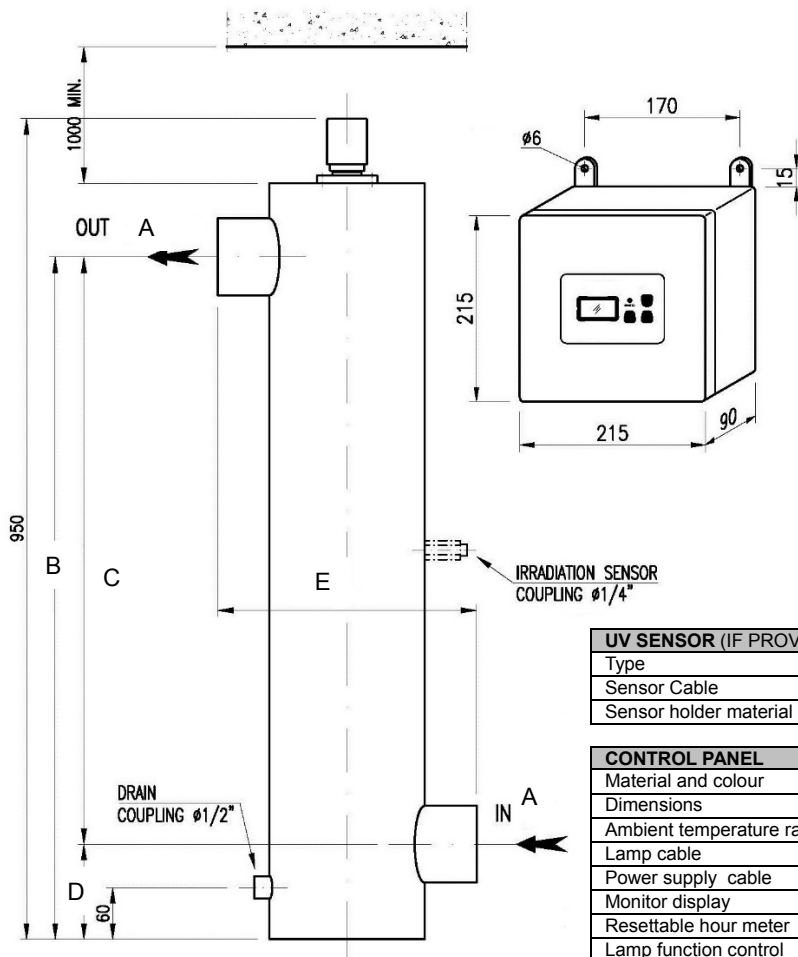
(\*) not available in stock.

REF.	MAX FLOW RATE (m <sup>3</sup> /h)	TOTAL CONSUMPTION (W)	No. LAMPS	LAMP POWER (W)	LIFESPAN OF LAMP	IN/OUT CONNECTIONS	SENSOR	MOUNTING	FLOW DIRECTION
HA800N (*)	3	40	1	40	9.000	1 ½" F	NO	Vert.	↑
HA800 (*)	3	40	1	40	9.000	1 ½" F	YES	Vert.	↑
HA802N (*)	5	80	1	80	9.000	1 ½" F	NO	Vert.	↑
HA802 (*)	5	80	1	80	9.000	1 ½" F	YES	Vert.	↑
HA804N (*)	8	80	2	40	9.000	1 ½" F	NO	Vert.	↑
HA804 (*)	8	80	2	40	9.000	1 ½" F	YES	Vert.	↑
HA806N (*)	15	160	2	80	9.000	2 ½" F	NO	Vert.	↑
HA806 (*)	15	160	2	80	9.000	2 ½" F	YES	Vert.	↑
HA808 (*)	22	260	3	80	9.000	DN65	YES	Vert.	↑
HA810 (*)	35	335	4	80	9.000	DN80	YES	Vert.	↑
HA812 (*)	45	440	5	80	9.000	DN100	YES	Vert.	↑
HA814 (*)	61	440	2	200	12.000	DN100	YES	Vert.	↑
HA816 (*)	90	660	3	200	12.000	DN100	YES	Vert.	↑
HA818 (*)	110	880	2	400	16.000	DN150	YES	Vert.	↑
HA820 (*)	150	1300	3	400	16.000	DN200	YES	Horiz.	↔
HA822 (*)	250	1760	4	400	16.000	DN250	YES	Horiz.	↔
HA824 (*)	340	2180	5	400	16.000	DN250	YES	Horiz.	↔
HA826 (*)	470	3100	7	400	16.000	DN300	YES	Horiz.	↔
HA828 (*)	600	3500	8	400	16.000	DN350	YES	Horiz.	↔
HA830 (*)	830	4400	10	400	16.000	DN400	YES	Horiz.	↔
HA832 (*)	980	5300	12	400	16.000	DN450	YES	Horiz.	↔

# Industrial U.V. Sterilizers in HDPE



REF.	REACTOR VOLUME (liters)	REACTOR WEIGHT (kg)	IN-OUT	B (mm)	C (mm)	D (mm)	E (mm)
HA800N	6	4	1 1/2" F	807	727	80	200
HA800	6	4	1 1/2" F	807	727	80	200
HA802N	6	4	1 1/2" F	807	727	80	200
HA802	6	4	1 1/2" F	807	727	80	200
HA804N	12,4	8	2 1/2" F	790	680	110	300
HA804	12,4	8	2 1/2" F	790	680	110	300
HA806N	12,4	11	2 1/2" F	790	680	110	300
HA806	12,4	11	2 1/2" F	790	680	110	300



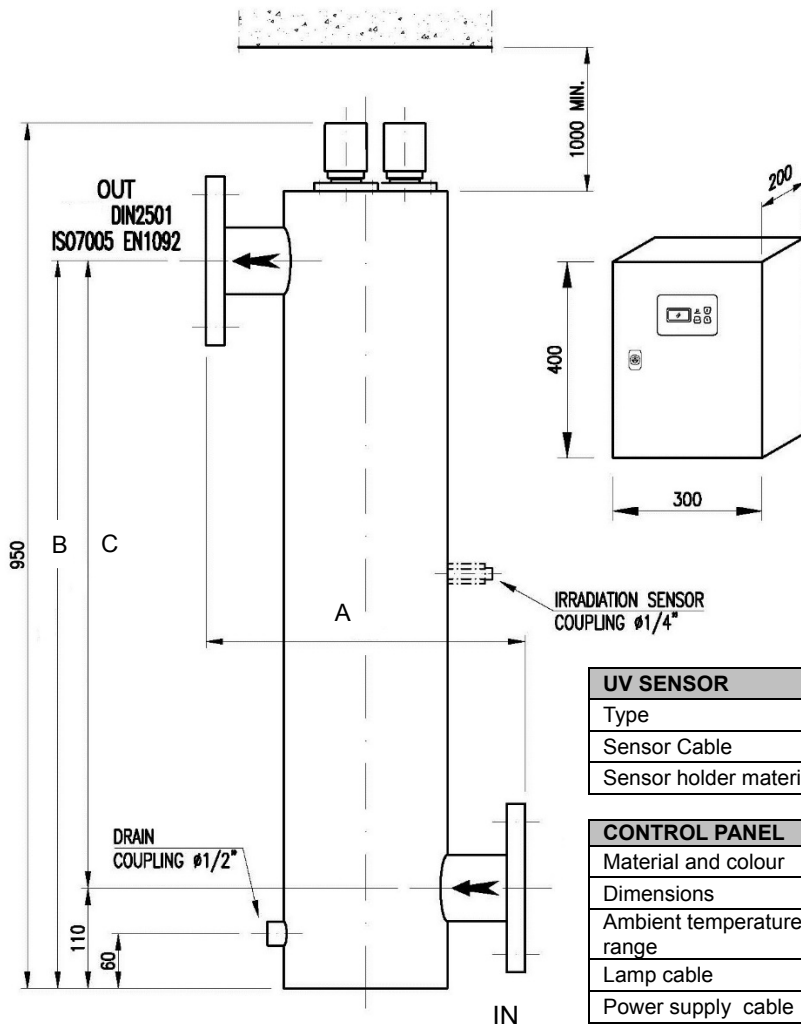
UV SENSOR (IF PROVIDED)	
Type	UVC selective sensor Mod. UV737TF
Sensor Cable	Shielded cable 4 meters
Sensor holder material	Teflon

CONTROL PANEL	LCD
Material and colour	Black Polypropylene
Dimensions	215 x 215 x 90 mm
Ambient temperature range	5 – 45 °C
Lamp cable	1 m
Power supply cable	1 m
Monitor display	LCD
Resettable hour meter	Yes for lamp life control
Lamp function control	Si
Free contact (NO - NC)	Yes – general alarm (max 2 A)
230 V output (NO - NC)	Yes – general alarm (max 2 A)
Remote ON/OFF contact	Yes (settable)
ON/OFF Timer	Yes (settable)
Reactor temperature measurement and alarm	Yes (°C) – settable value (shut off for high temperature) on Models with Sensor
UV Irradiance measurement and alarm	Yes (% or W/m <sup>2</sup> optional) – settable value on Models with Sensor
4/20 mA output	Optional – for Irradiance and water temperature on Models with Sensor

# Industrial U.V. Sterilizers in HDPE



REF.	REACTOR VOLUME (liters)	REACTOR WEIGHT (kg)	IN/OUT CONNECTIONS	A (mm)	B (mm)	C (mm)
HA808	12,7	11	Flange DN65	350	799	689
HA810	20,1	16	Flange DN80	400	790	680



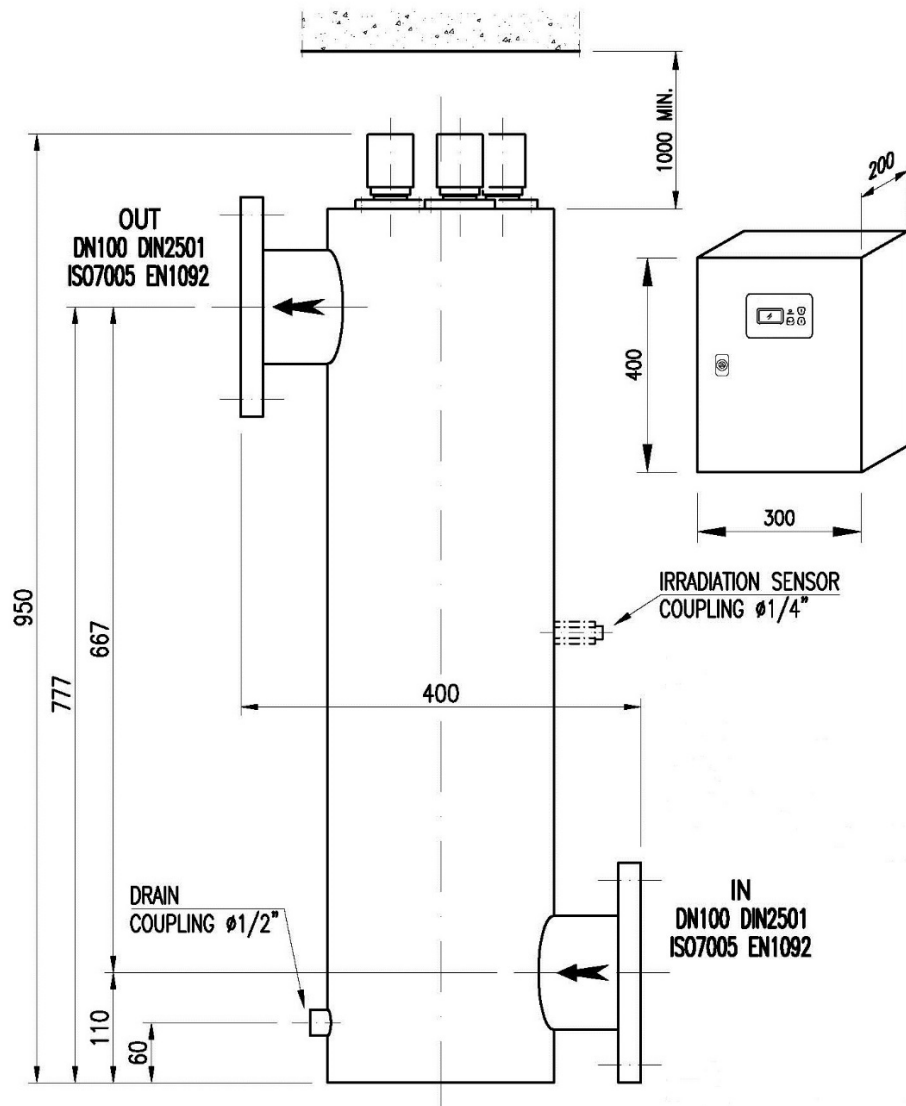
UV SENSOR	
Type	UVC selective sensor Mod. UV737TF
Sensor Cable	Shielded cable 4 meters
Sensor holder material	Teflon

CONTROL PANEL	RACK LCD
Material and colour	Painted Steel – RAL 7035
Dimensions	400 x 300 x 200 mm
Ambient temperature range	5 – 45 °C
Lamp cable	1 m
Power supply cable	1 m
Monitor display	LCD
Resettable hour meter	Yes for lamp life control
Lamp function control	Si
Free contact (NO - NC)	Yes – general alarm (max 2 A)
230 V output (NO - NC)	Yes – general alarm (max 2 A)
Remote ON/OFF contact	Yes (settable)
ON/OFF Timer	Yes (settable)
Reactor temperature measurement and alarm	Yes (°C) – settable value (shut off for high temperature)
UV Irradiance measurement and alarm	Yes (% or W/m <sup>2</sup> optional) – settable value
4/20 mA output	Optional – for Irradiance and water temperature

# Industrial U.V. Sterilizers in HDPE



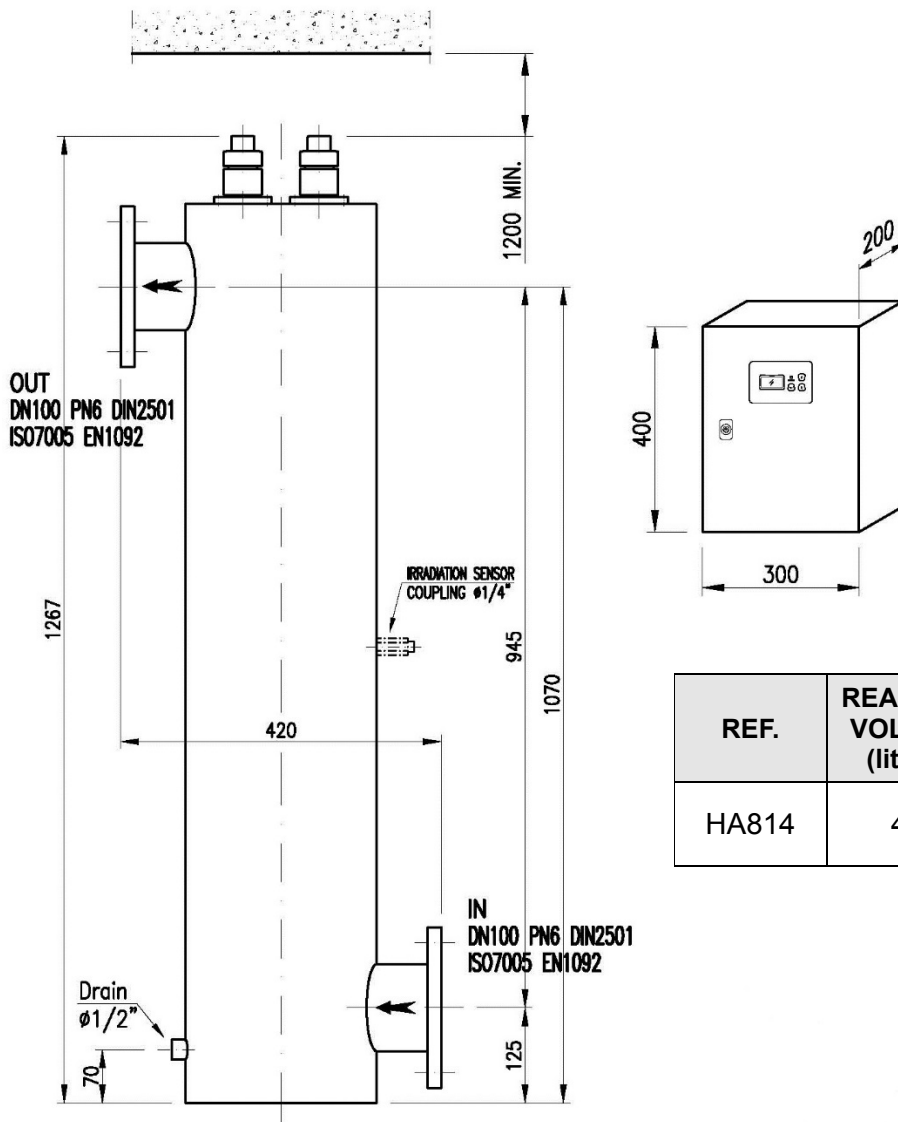
REF.	REACTOR VOLUME (liters)	REACTOR WEIGHT (kg)
HA812	20,5	19



UV SENSOR	
Type	UVC selective sensor Mod. UV737TF
Sensor Cable	Shielded cable 4 meters
Sensor holder material	Teflon

CONTROL PANEL	RACK LCD
Material and colour	Painted Steel – RAL 7035
Dimensions	400 x 300 x 200 mm
Ambient temperature range	5 – 45 °C
Lamp cable	1 m
Power supply cable	1 m
Monitor display	LCD
Resettable hour meter	Yes for lamp life control
Lamp function control	Si
Free contact (NO - NC)	Yes – general alarm (max 2 A)
230 V output (NO - NC)	Yes – general alarm (max 2 A)
Remote ON/OFF contact	Yes (settable)
ON/OFF Timer	Yes (settable)
Reactor temperature measurement and alarm	Yes (°C) – settable value (shut off for high temperature)
UV Irradiance measurement and alarm	Yes (% or W/m <sup>2</sup> optional) – settable value
4/20 mA output	Optional – for Irradiance and water temperature

# Industrial U.V. Sterilizers in HDPE

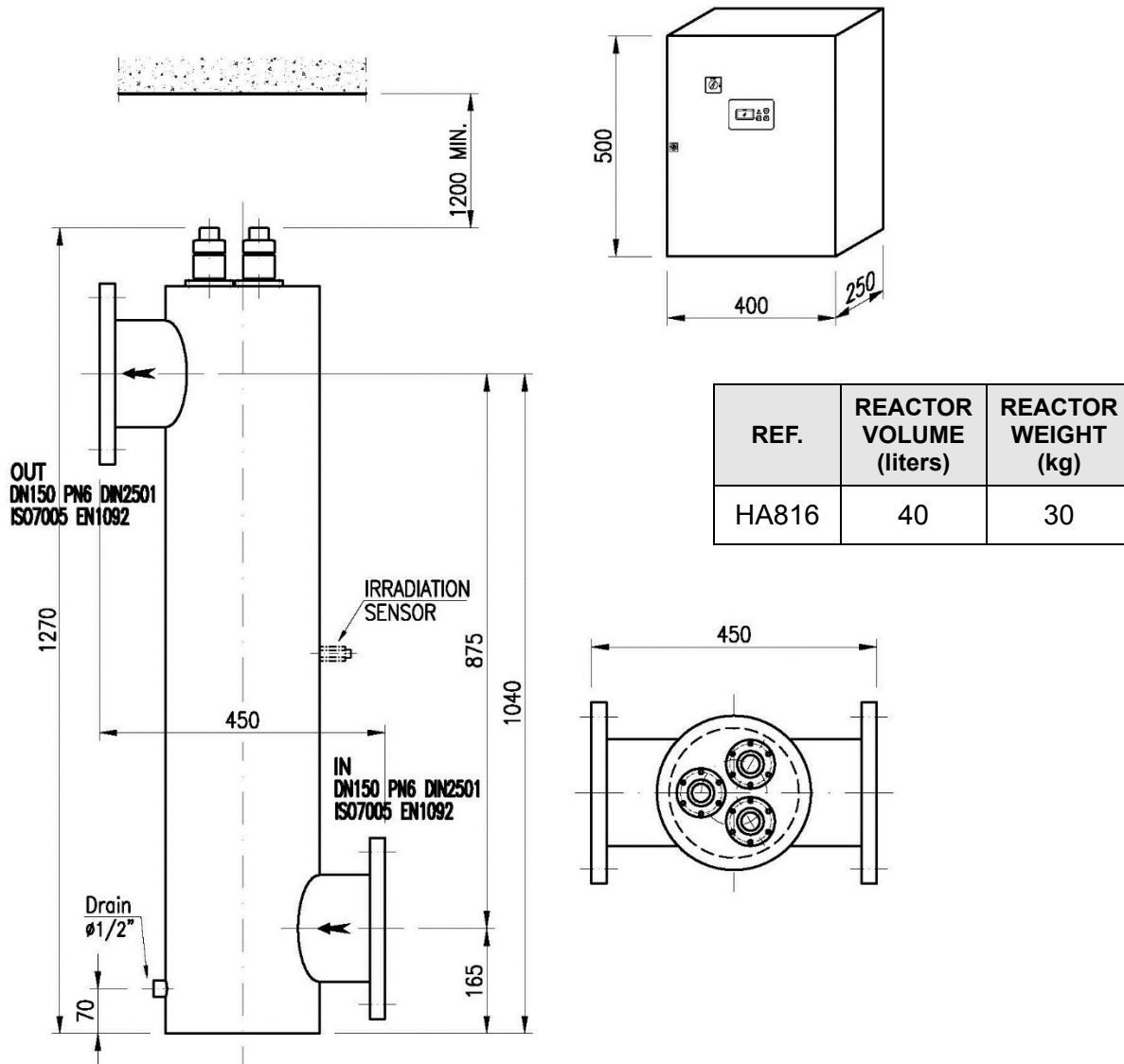


REF.	REACTOR VOLUME (liters)	REACTOR WEIGHT (kg)
HA814	40	30

UV SENSOR	
Type	UVC selective sensor Mod. UV737TF
Sensor Cable	Shielded cable 4 meters
Sensor holder material	Teflon

CONTROL PANEL	RACK LCD
Material and colour	Painted Steel – RAL 7035
Dimensions	400 x 300 x 200 mm
Ambient temperature range	5 – 45 °C
Lamp cable	1 m
Power supply cable	1 m
Monitor display	LCD
Resettable hour meter	Yes for lamp life control
Lamp function control	Si
Free contact (NO - NC)	Yes – general alarm (max 2 A)
230 V output (NO - NC)	Yes – general alarm (max 2 A)
Remote ON/OFF contact	Yes (settable)
ON/OFF Timer	Yes (settable)
Reactor temperature measurement and alarm	Yes (°C) – settable value (shut off for high temperature)
UV Irradiance measurement and alarm	Yes (% or W/m <sup>2</sup> optional) – settable value
4/20 mA output	Optional – for Irradiance and water temperature

# Industrial U.V. Sterilizers in HDPE



REF.	REACTOR VOLUME (liters)	REACTOR WEIGHT (kg)
HA816	40	30

UV SENSOR	
Type	UVC selective sensor Mod. UV737TF
Sensor Cable	Shielded cable 4 meters
Sensor holder material	Teflon

CONTROL PANEL	RACK LCD
Material and colour	Painted Steel – RAL 7035
Dimensions	400 x 300 x 200 mm
Ambient temperature range	5 – 45 °C
Lamp cable	1 m
Power supply cable	1 m
Monitor display	LCD
Resettable hour meter	Yes for lamp life control
Lamp function control	Si
Free contact (NO - NC)	Yes – general alarm (max 2 A)
230 V output (NO - NC)	Yes – general alarm (max 2 A)
Remote ON/OFF contact	Yes (settable)
ON/OFF Timer	Yes (settable)
Reactor temperature measurement and alarm	Yes (°C) – settable value (shut off for high temperature)
UV Irradiance measurement and alarm	Yes (% or W/m <sup>2</sup> optional) – settable value
4/20 mA output	Optional – for Irradiance and water temperature

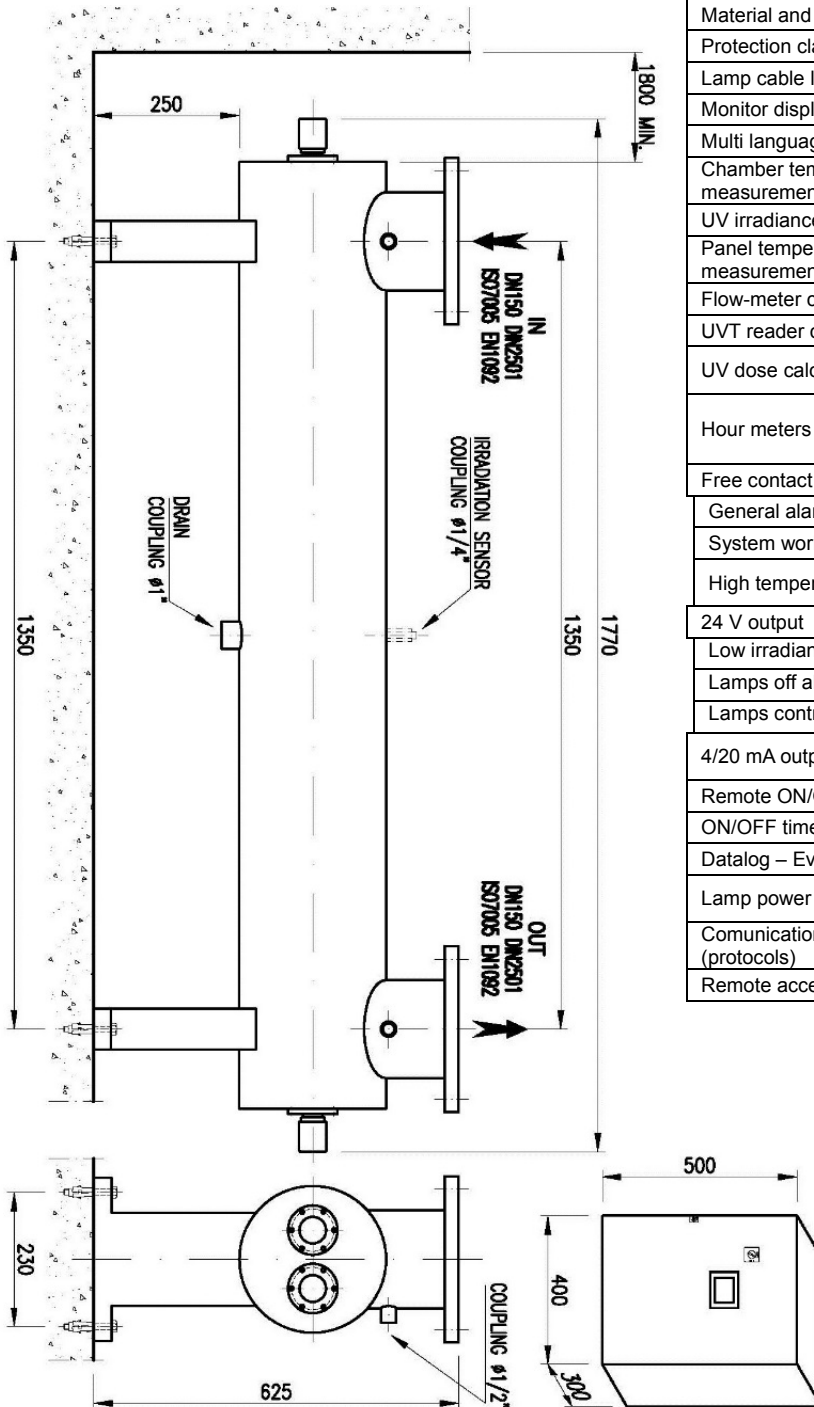
# Industrial U.V. Sterilizers in HDPE



REF.	REACTOR VOLUME (liters)	REACTOR WEIGHT (kg)
HA818	50	42

UV SENSOR	
Type	UVC selective sensor Mod. UV737TF
Sensor Cable	Shielded cable 4 meters
Sensor holder material	Teflon

CONTROL PANEL	
Material and colour	Painted Steel – RAL 7035
Protection class	IP 54
Lamp cable length	2,5 m
Monitor display	Touch-Screen (65000 colours)
Multi language display	Yes
Chamber temperature measurement	Yes (°C)
UV irradiance measurement	Yes (% or W/m <sup>2</sup> )
Panel temperature measurement	Yes (°C)
Flow-meter connection	Yes (4-20 mA)
UVT reader connection	Yes (4-20 mA)
UV dose calculation	Optional (only with external flow meter)
Hour meters	For total system life – Resettable for lamp life control
Free contact alarms (N/O)	Yes (max 1.3 A)
General alarm	Yes (settable contact working)
System working signal	Yes
High temperature alarm	Yes for panel and reactor (shut off for high temperature)
24 V output	Yes
Low irradiance alarm	Yes (settable value)
Lamps off alarm	Yes
Lamps control on/off	Yes
4/20 mA output	Yes for irradiance and temperature
Remote ON/OFF	Yes (settable contact working)
ON/OFF timer	Yes
Datalog – Events	Yes
Lamp power regulation	Manual or Automatic (dose or flow pacing)
Communication ports (protocols)	CAN, Ethernet, USB, Seriale (Modbus, TCP/IP, CANopen)
Remote access	with specific App or WebGate



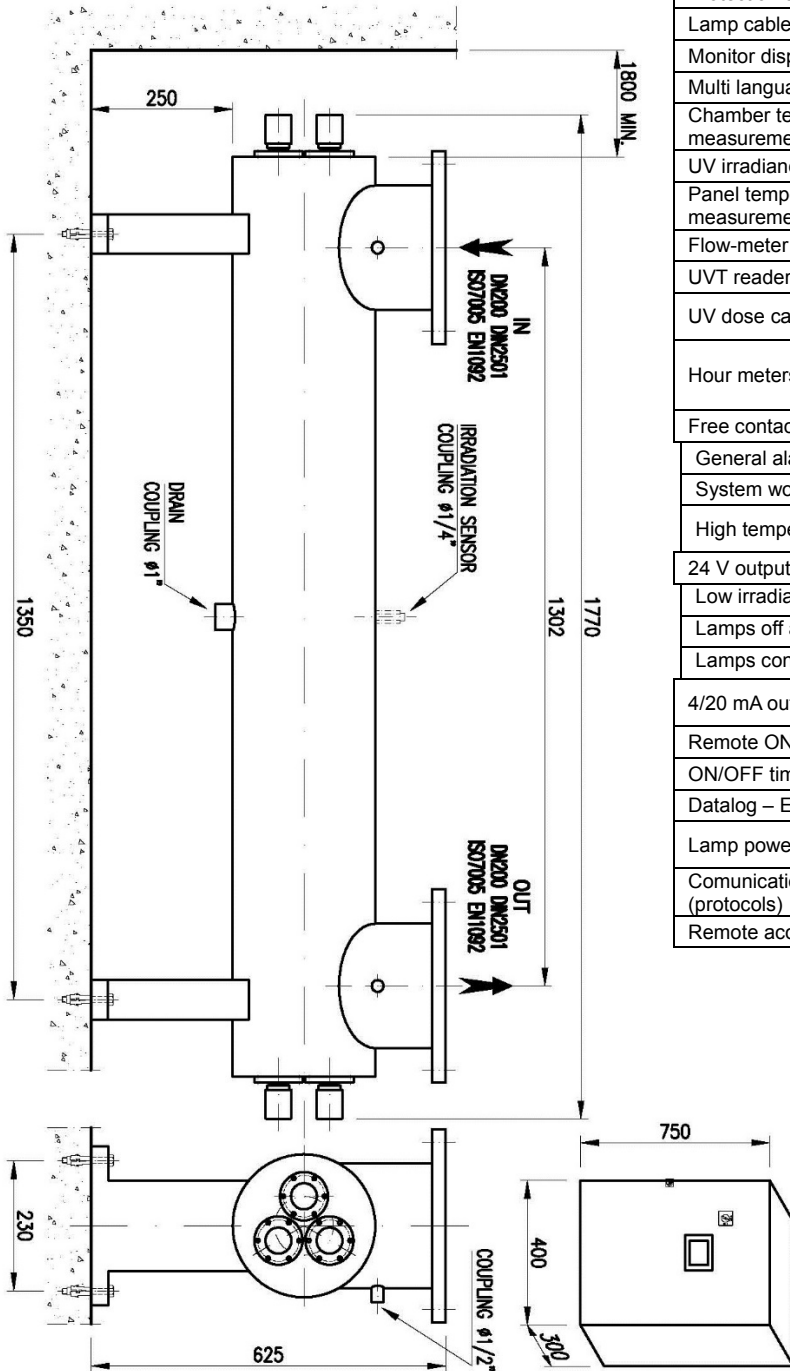
# Industrial U.V. Sterilizers in HDPE



REF.	REACTOR VOLUME (liters)	REACTOR WEIGHT (kg)
HA820	52,3	42

UV SENSOR	
Type	UVC selective sensor Mod. UV737TF
Sensor Cable	Shielded cable 4 meters
Sensor holder material	Teflon

CONTROL PANEL	
Material and colour	Painted Steel – RAL 7035
Protection class	IP 54
Lamp cable length	2,5 m
Monitor display	Touch-Screen (65000 colours)
Multi language display	Yes
Chamber temperature measurement	Yes (°C)
UV irradiance measurement	Yes (% or W/m <sup>2</sup> )
Panel temperature measurement	Yes (°C)
Flow-meter connection	Yes (4-20 mA)
UVT reader connection	Yes (4-20 mA)
UV dose calculation	Optional (only with external flow meter)
Hour meters	For total system life – Resettable for lamp life control
Free contact alarms (N/O)	Yes (max 1.3 A)
General alarm	Yes (settable contact working)
System working signal	Yes
High temperature alarm	Yes for panel and reactor (shut off for high temperature)
24 V output	Yes
Low irradiance alarm	Yes (settable value)
Lamps off alarm	Yes
Lamps control on/off	Yes
4/20 mA output	Yes for irradiance and temperature
Remote ON/OFF	Yes (settable contact working)
ON/OFF timer	Yes
Datalog – Events	Yes
Lamp power regulation	Manual or Automatic (dose or flow pacing)
Communication ports (protocols)	CAN, Ethernet, USB, Seriale (Modbus, TCP/IP, CANopen)
Remote access	with specific App or WebGate





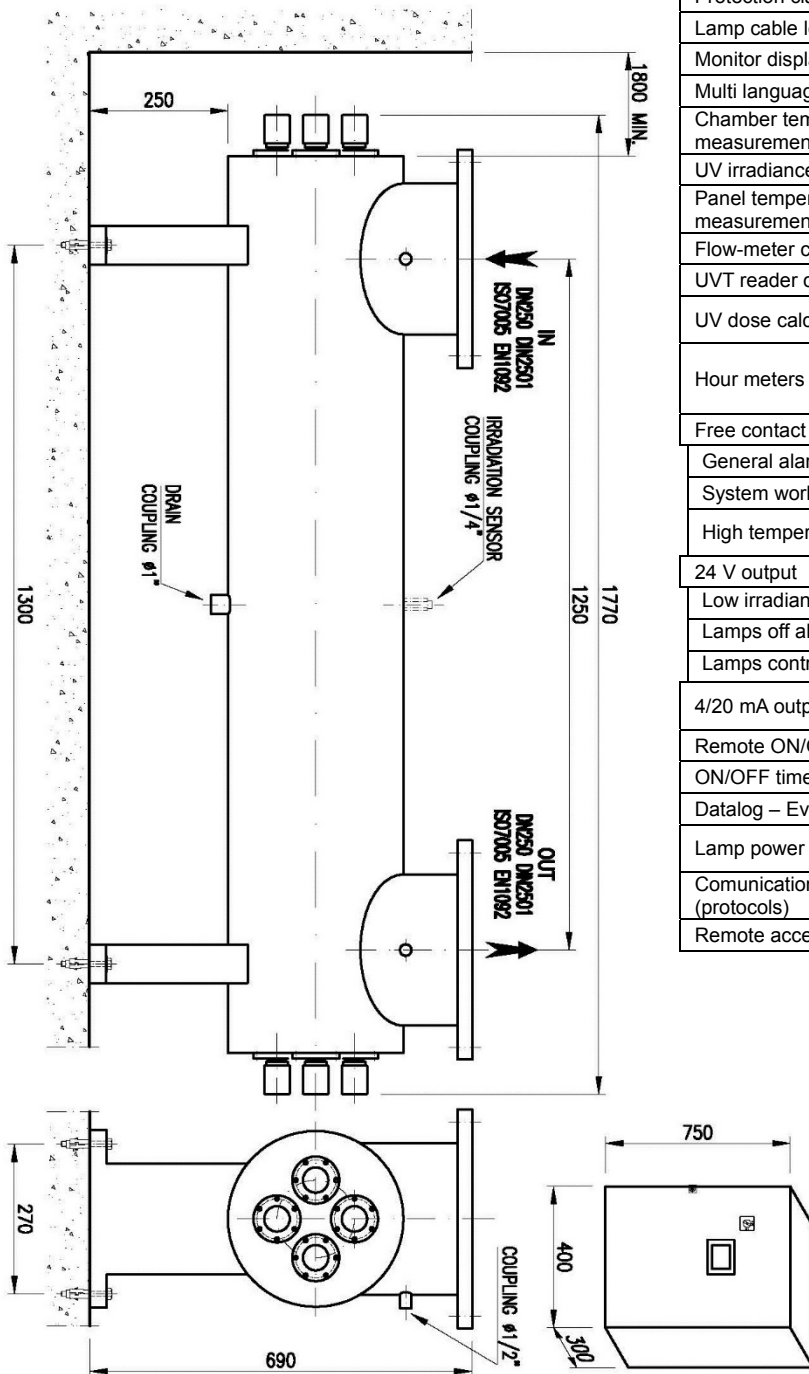
# Industrial U.V. Sterilizers in HDPE



REF.	REACTOR VOLUME (liters)	REACTOR WEIGHT (kg)
HA822	84	52

UV SENSOR	
Type	UVC selective sensor Mod. UV737TF
Sensor Cable	Shielded cable 4 meters
Sensor holder material	Teflon

CONTROL PANEL	
Material and colour	Painted Steel – RAL 7035
Protection class	IP 54
Lamp cable length	2,5 m
Monitor display	Touch-Screen (65000 colours)
Multi language display	Yes
Chamber temperature measurement	Yes (°C)
UV irradiance measurement	Yes (% or W/m <sup>2</sup> )
Panel temperature measurement	Yes (°C)
Flow-meter connection	Yes (4-20 mA)
UVT reader connection	Yes (4-20 mA)
UV dose calculation	Optional (only with external flow meter)
Hour meters	For total system life – Resettable for lamp life control
Free contact alarms (N/O)	Yes (max 1.3 A)
General alarm	Yes (settable contact working)
System working signal	Yes
High temperature alarm	Yes for panel and reactor (shut off for high temperature)
24 V output	Yes
Low irradiance alarm	Yes (settable value)
Lamps off alarm	Yes
Lamps control on/off	Yes
4/20 mA output	Yes for irradiance and temperature
Remote ON/OFF	Yes (settable contact working)
ON/OFF timer	Yes
Datalog – Events	Yes
Lamp power regulation	Manual or Automatic (dose or flow pacing)
Communication ports (protocols)	CAN, Ethernet, USB, Seriale (Modbus, TCP/IP, CANopen)
Remote access	with specific App or WebGate



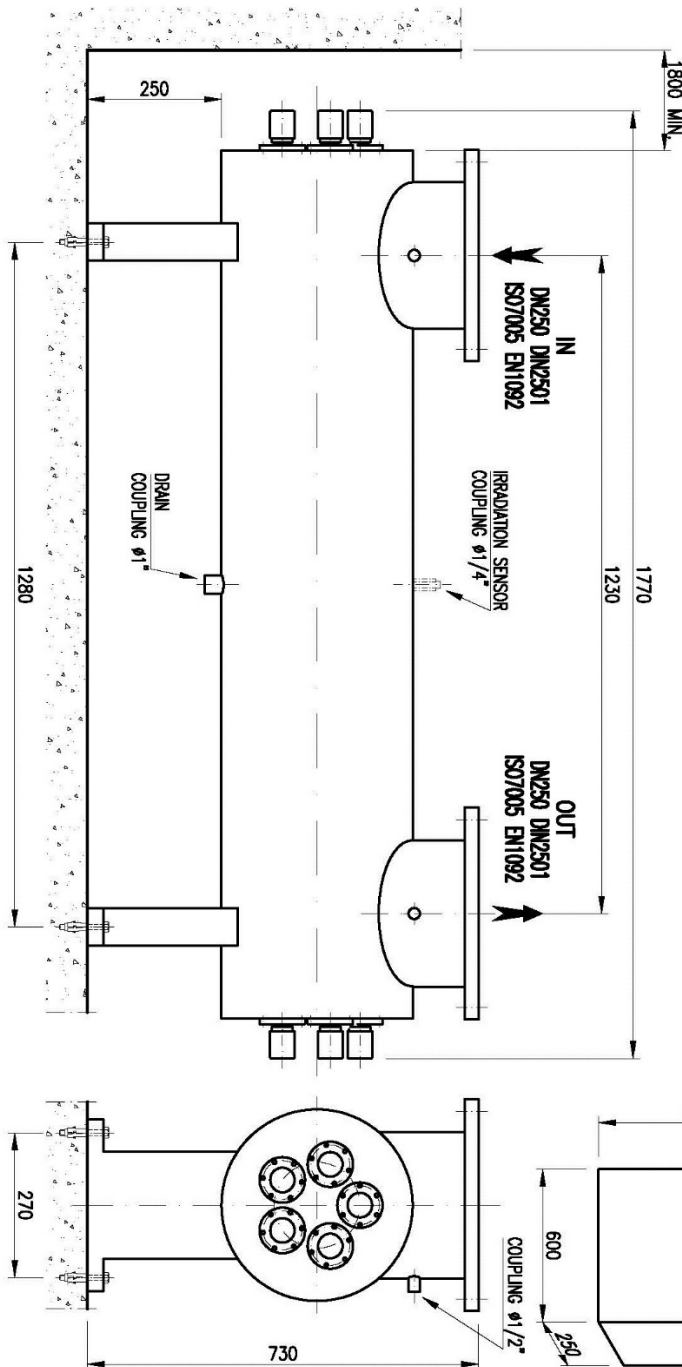
# Industrial U.V. Sterilizers in HDPE



REF.	REACTOR VOLUME (liters)	REACTOR WEIGHT (kg)
HA824	101	80

UV SENSOR	
Type	UVC selective sensor Mod. UV737TF
Sensor Cable	Shielded cable 4 meters
Sensor holder material	Teflon

CONTROL PANEL	
Material and colour	Painted Steel – RAL 7035
Protection class	IP 54
Lamp cable length	2,5 m
Monitor display	Touch-Screen (65000 colours)
Multi language display	Yes
Chamber temperature measurement	Yes (°C)
UV irradiance measurement	Yes (% or W/m <sup>2</sup> )
Panel temperature measurement	Yes (°C)
Flow-meter connection	Yes (4-20 mA)
UVT reader connection	Yes (4-20 mA)
UV dose calculation	Optional (only with external flow meter)
Hour meters	For total system life – Resettable for lamp life control
Free contact alarms (N/O)	Yes (max 1.3 A)
General alarm	Yes (settable contact working)
System working signal	Yes
High temperature alarm	Yes for panel and reactor (shut off for high temperature)
24 V output	Yes
Low irradiance alarm	Yes (settable value)
Lamps off alarm	Yes
Lamps control on/off	Yes
4/20 mA output	Yes for irradiance and temperature
Remote ON/OFF	Yes (settable contact working)
ON/OFF timer	Yes
Datalog – Events	Yes
Lamp power regulation	Manual or Automatic (dose or flow pacing)
Communication ports (protocols)	CAN, Ethernet, USB, Seriale (Modbus, TCP/IP, CANopen)
Remote access	with specific App or WebGate



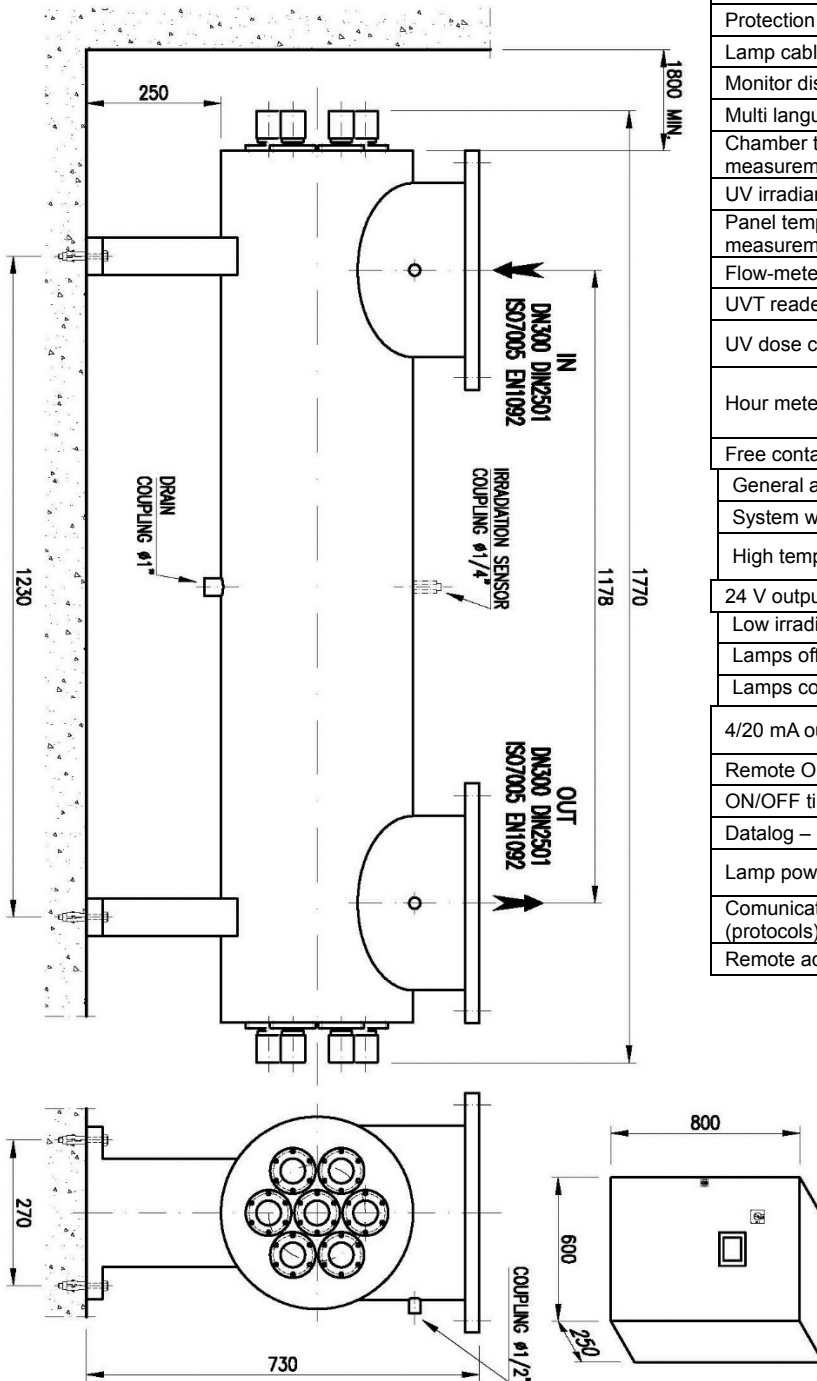
# Industrial U.V. Sterilizers in HDPE



REF.	REACTOR VOLUME (liters)	REACTOR WEIGHT (kg)
HA826	104	100

UV SENSOR	
Type	UVC selective sensor Mod. UV737TF
Sensor Cable	Shielded cable 4 meters
Sensor holder material	Teflon

CONTROL PANEL	
Material and colour	Painted Steel – RAL 7035
Protection class	IP 54
Lamp cable length	2,5 m
Monitor display	Touch-Screen (65000 colours)
Multi language display	Yes
Chamber temperature measurement	Yes (°C)
UV irradiance measurement	Yes (% or W/m <sup>2</sup> )
Panel temperature measurement	Yes (°C)
Flow-meter connection	Yes (4-20 mA)
UVT reader connection	Yes (4-20 mA)
UV dose calculation	Optional (only with external flow meter)
Hour meters	For total system life – Resettable for lamp life control
Free contact alarms (N/O)	Yes (max 1.3 A)
General alarm	Yes (settable contact working)
System working signal	Yes
High temperature alarm	Yes for panel and reactor (shut off for high temperature)
24 V output	Yes
Low irradiance alarm	Yes (settable value)
Lamps off alarm	Yes
Lamps control on/off	Yes
4/20 mA output	Yes for irradiance and temperature
Remote ON/OFF	Yes (settable contact working)
ON/OFF timer	Yes
Datalog – Events	Yes
Lamp power regulation	Manual or Automatic (dose or flow pacing)
Communication ports (protocols)	CAN, Ethernet, USB, Seriale (Modbus, TCP/IP, CANopen)
Remote access	with specific App or WebGate



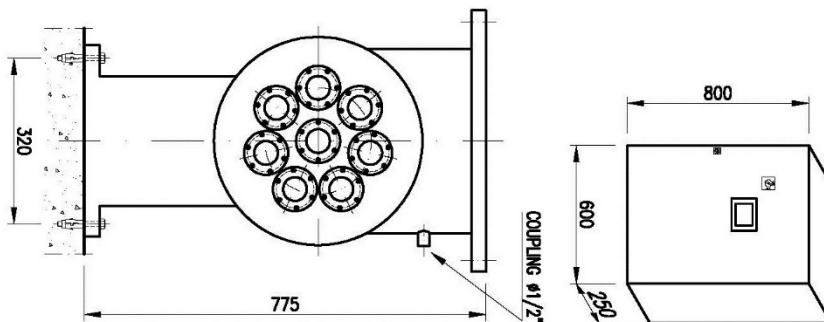
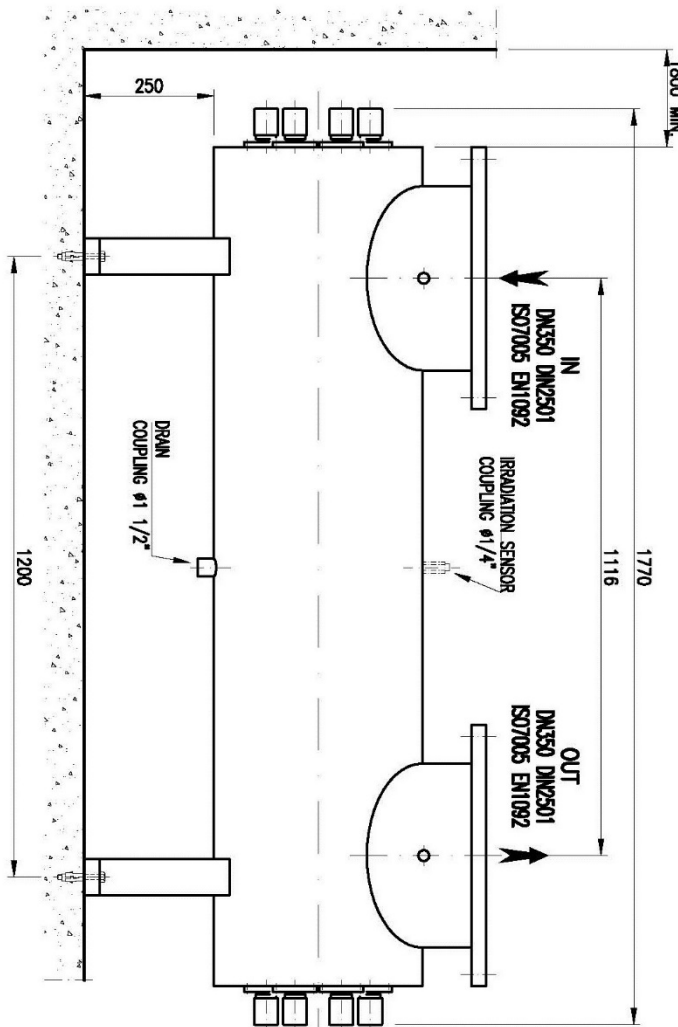
# Industrial U.V. Sterilizers in HDPE



REF.	REACTOR VOLUME (liters)	REACTOR WEIGHT (kg)
HA828	130	165

UV SENSOR	
Type	UVC selective sensor Mod. UV737TF
Sensor Cable	Shielded cable 4 meters
Sensor holder material	Teflon

CONTROL PANEL	
Material and colour	Painted Steel – RAL 7035
Protection class	IP 54
Lamp cable length	2,5 m
Monitor display	Touch-Screen (65000 colours)
Multi language display	Yes
Chamber temperature measurement	Yes (°C)
UV irradiance measurement	Yes (% or W/m <sup>2</sup> )
Panel temperature measurement	Yes (°C)
Flow-meter connection	Yes (4-20 mA)
UVT reader connection	Yes (4-20 mA)
UV dose calculation	Optional (only with external flow meter)
Hour meters	For total system life – Resettable for lamp life control
Free contact alarms (N/O)	Yes (max 1.3 A)
General alarm	Yes (settable contact working)
System working signal	Yes
High temperature alarm	Yes for panel and reactor (shut off for high temperature)
24 V output	Yes
Low irradiance alarm	Yes (settable value)
Lamps off alarm	Yes
Lamps control on/off	Yes
4/20 mA output	Yes for irradiance and temperature
Remote ON/OFF	Yes (settable contact working)
ON/OFF timer	Yes
Datalog – Events	Yes
Lamp power regulation	Manual or Automatic (dose or flow pacing)
Communication ports (protocols)	CAN, Ethernet, USB, Seriale (Modbus, TCP/IP, CANopen)
Remote access	with specific App or WebGate



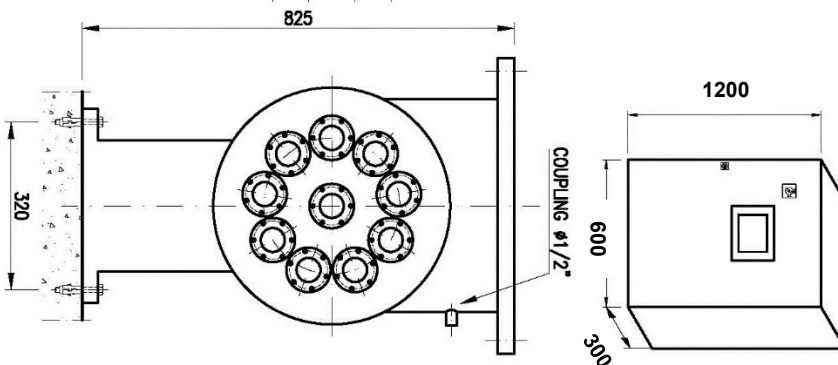
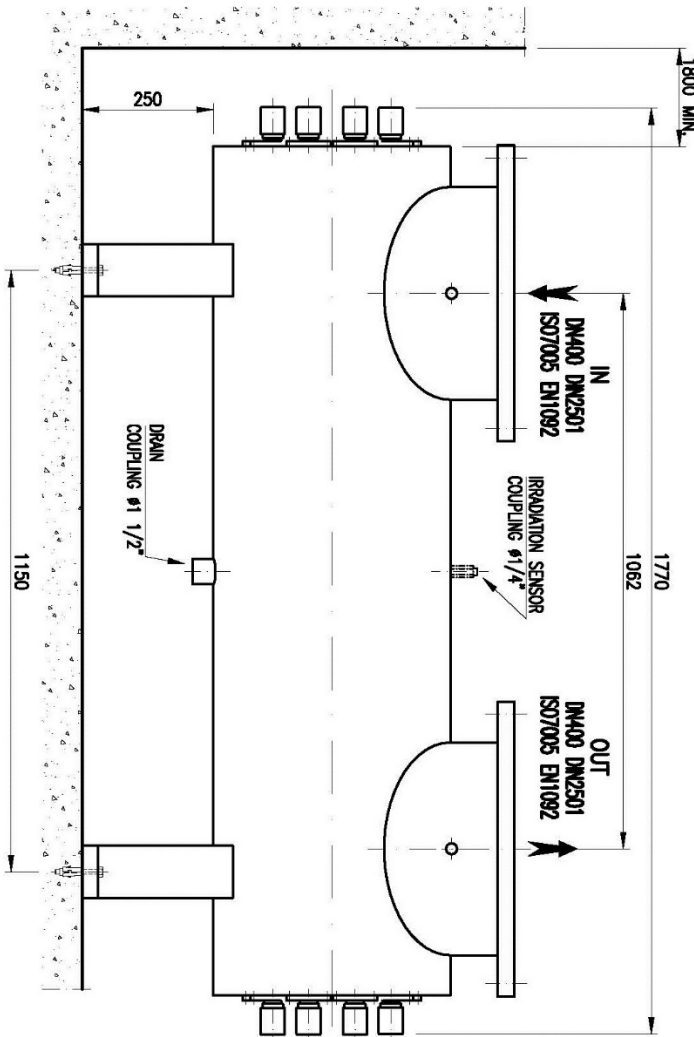
# Industrial U.V. Sterilizers in HDPE



REF.	REACTOR VOLUME (liters)	REACTOR WEIGHT (kg)
HA830	165	180

UV SENSOR	
Type	UVC selective sensor Mod. UV737TF
Sensor Cable	Shielded cable 4 meters
Sensor holder material	Teflon

CONTROL PANEL	
Material and colour	Painted Steel – RAL 7035
Protection class	IP 54
Lamp cable length	2,5 m
Monitor display	Touch-Screen (65000 colours)
Multi language display	Yes
Chamber temperature measurement	Yes (°C)
UV irradiance measurement	Yes (% or W/m <sup>2</sup> )
Panel temperature measurement	Yes (°C)
Flow-meter connection	Yes (4-20 mA)
UVT reader connection	Yes (4-20 mA)
UV dose calculation	Optional (only with external flow meter)
Hour meters	For total system life – Resettable for lamp life control
Free contact alarms (N/O)	Yes (max 1.3 A)
General alarm	Yes (settable contact working)
System working signal	Yes
High temperature alarm	Yes for panel and reactor (shut off for high temperature)
24 V output	Yes
Low irradiance alarm	Yes (settable value)
Lamps off alarm	Yes
Lamps control on/off	Yes
4/20 mA output	Yes for irradiance and temperature
Remote ON/OFF	Yes (settable contact working)
ON/OFF timer	Yes
Datalog – Events	Yes
Lamp power regulation	Manual or Automatic (dose or flow pacing)
Communication ports (protocols)	CAN, Ethernet, USB, Seriale (Modbus, TCP/IP, CANopen)
Remote access	with specific App or WebGate



# Industrial U.V. Sterilizers in HDPE



REF.	REACTOR VOLUME (liters)	REACTOR WEIGHT (kg)
HA832	214	220

UV SENSOR	
Type	UVC selective sensor Mod. UV737TF
Sensor Cable	Shielded cable 4 meters
Sensor holder material	Teflon

CONTROL PANEL	
Material and colour	Painted Steel – RAL 7035
Protection class	IP 54
Lamp cable length	2,5 m
Monitor display	Touch-Screen (65000 colours)
Multi language display	Yes
Chamber temperature measurement	Yes (°C)
UV irradiance measurement	Yes (% or W/m <sup>2</sup> )
Panel temperature measurement	Yes (°C)
Flow-meter connection	Yes (4-20 mA)
UVT reader connection	Yes (4-20 mA)
UV dose calculation	Optional (only with external flow meter)
Hour meters	For total system life – Resettable for lamp life control
Free contact alarms (N/O)	Yes (max 1.3 A)
General alarm	Yes (settable contact working)
System working signal	Yes
High temperature alarm	Yes for panel and reactor (shut off for high temperature)
24 V output	Yes
Low irradiance alarm	Yes (settable value)
Lamps off alarm	Yes
Lamps control on/off	Yes
4/20 mA output	Yes for irradiance and temperature
Remote ON/OFF	Yes (settable contact working)
ON/OFF timer	Yes
Datalog – Events	Yes
Lamp power regulation	Manual or Automatic (dose or flow pacing)
Communication ports (protocols)	CAN, Ethernet, USB, Seriale (Modbus, TCP/IP, CANopen)
Remote access	with specific App or WebGate

