



Vessels,  
accessories,  
rotary pumps

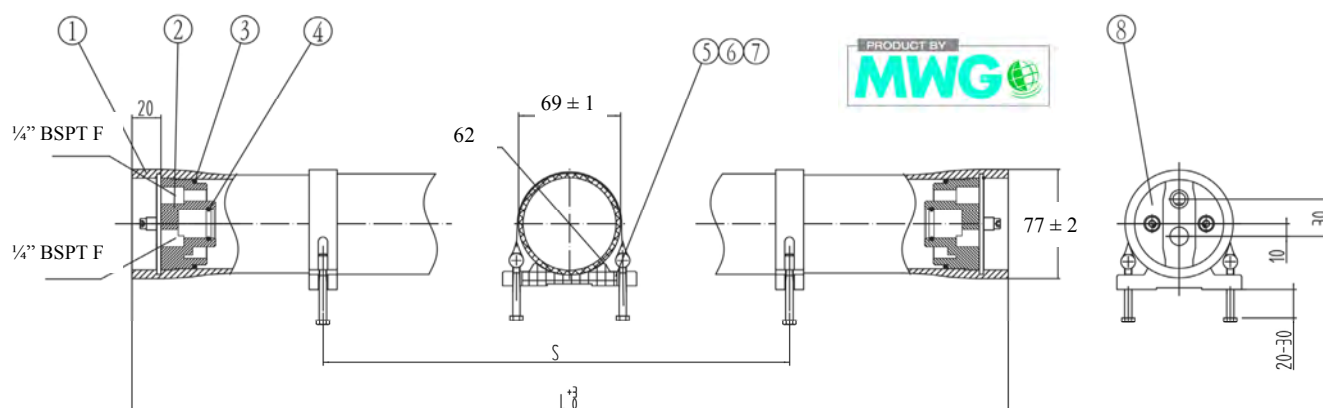


## 2 ½" Membrane Vessels End Port Series 300 E-2.5



- fiberglass reinforced plastic pressure vessels series 300 E-2.5, D.75" direct connection, white painted, UVA-ray proof material;
- end-cap in ABS;
- max operating pressure 300 psi (21 bar);
- European 2014/68/EU Directive compliant for pressure equipment (PED);
- built in accordance with ASME code section X;
- D.M. n.174 dated 06/04/2004 compliant about materials suitable for contact with water for human consumption;
- each vessel is factory tested at 1,5 times max operating pressure;
- connections: feed/concentrate ¼" BSPT F, permeate ¼" BSPT F;
- straps and saddles included.

REF.	MODEL	ELEMENTS	L (mm)	S (mm)	
H2E1BQ	300 E – 2514	1 x 14"	427	200	
H2E1BV	300 E – 2521	1 x 21"	605	400	
H2E1B1	300 E – 2.5 – 1	1 x 40"	1088	700	



### SPARE PARTS

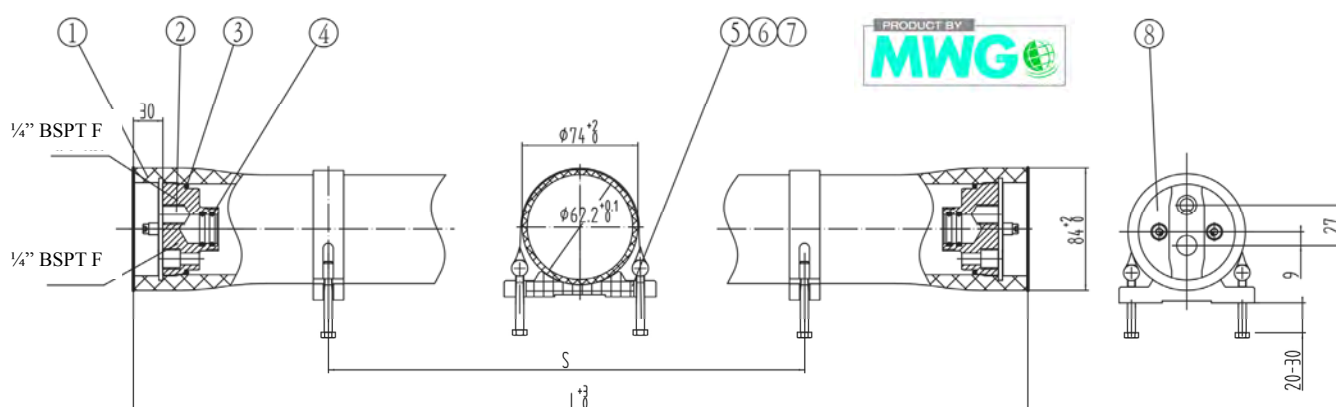
ITEM	REF.	DESCRIPTION	Q.TY	MATERIAL	REMARK
1		Pressure Shell	1	Epoxy FRP	White
2 + 4	H2R011	End Plate	2	ABS	
3	H2R103	Head Seal	2	EPDM	56x3,55
4	H2R101	Adapter Seal	2	EPDM	19x2,65
5	H2R001	Saddle	2	Rubber	
7 + 6	H2R003	Strap	2	AISI 304 - rubber	
8	H2R041	Seeger	4	AISI 304	

## 2 ½” Membrane Vessels End Port Series 1000 E-2.5



- fiberglass reinforced plastic pressure vessels series 1000 E-2.5, D.75” direct connection, white painted, UVA-ray proof material;
- end-cap in super duplex steel AISI 2507;
- max operating pressure 1000 psi (69 bar);
- European 2014/68/EU Directive compliant for pressure equipment (PED);
- built in accordance with ASME code section X;
- D.M. n.174 dated 06/04/2004 compliant about materials suitable for contact with water for human consumption;
- each vessel is factory tested at 1,5 times max operating pressure;
- connections: feed/concentrate ¼” BSPT F, permeate ¼” BSPT F;
- straps and saddles included.

REF.	MODEL	ELEMENTS	L (mm)	S (mm)	
H2E1GV	1000 E – 2521	1 x 21”	629	400	
H2E1G1	1000 E – 2.5 – 1	1 x 40”	1112	700	



SPARE PARTS						
Item	Ref.	Description	Q.ty	Material	Remark	
1		Pressure Shell	1	Epoxy FRP	White	
2 + 4	H2R013	End Plate	2	Super Duplex Steel AISI 2507		
3	H2R103	Head Seal	2	EPDM	56x3,55	
4	H2R101	Adapter Seal	4	EPDM	19x2,65	
5	H2R001	Saddle	2	Rubber		
7 + 6	H2R005	Strap	2	AISI 304 - Rubber		
8	H2R041	Seeger	4	AISI 316		

## 4" Membrane Vessels End Port Series 300 E-4

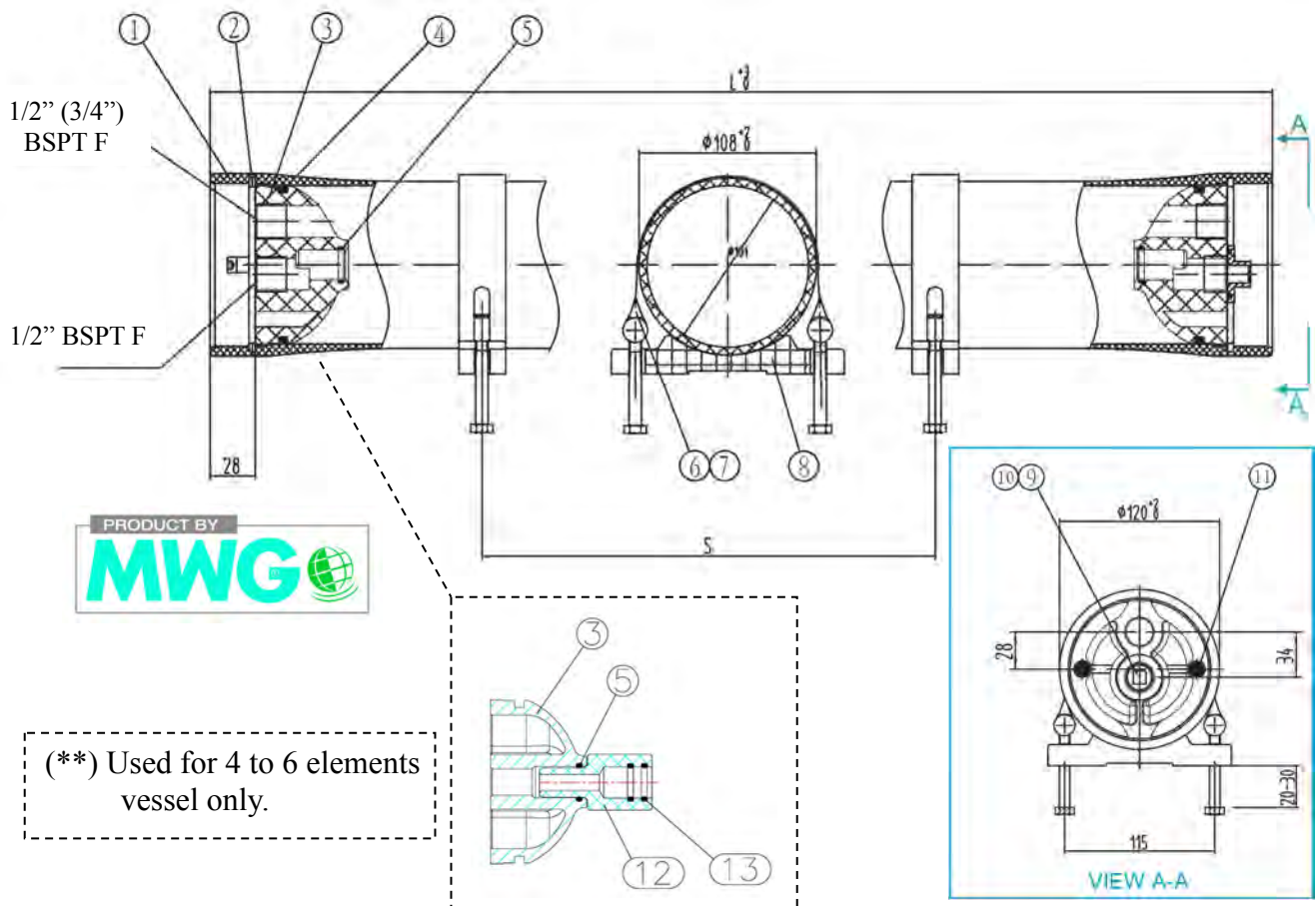


- fiberglass reinforced plastic pressure vessels series 300 E-4, D.75" direct connection, white painted, UVA-ray proof material;
- end-cap in ABS;
- max operating pressure 300 psi (21 bar);
- European 2014/68/EU Directive compliant for pressure equipment (PED);
- built in accordance with ASME code section X;
- D.M. n.174 dated 06/04/2004 compliant about materials suitable for contact with water for human consumption;
- each vessel is factory tested at 1,5 times max operating pressure;
- permeate connections ½" BSPT F;
- straps and saddles included (n.2 pcs from 1 to 3 elements, n.3 pcs from 4 to 6 elements).

REF.	MODEL	ELEMENTS	L (mm)	S (mm)	CONNECTIONS FEED / CONCENTRATE	
H4E2BV	300 E – 4021	1 x 21"	658	400	½" BSPT F	
H4E3BV	300 E – 4021	1 x 21"	658	400	¾" BSPT F	
H4E2B1	300 E – 4 – 1	1 x 40"	1140	600	½" BSPT F	
H4E3B1	300 E – 4 – 1	1 x 40"	1140	600	¾" BSPT F	
H4E2B2	300 E – 4 – 2	2 x 40"	2156	1200	½" BSPT F	
H4E3B2	300 E – 4 – 2	2 x 40"	2156	1200	¾" BSPT F	
H4E2B3	300 E – 4 – 3	3 x 40"	3172	2200	½" BSPT F	
H4E3B3	300 E – 4 – 3	3 x 40"	3172	2200	¾" BSPT F	
H4E2B4 (*)	300 E – 4 – 4	4 x 40"	4268	1600x2	½" BSPT F	
H4E3B4 (*)	300 E – 4 – 4	4 x 40"	4268	1600x2	¾" BSPT F	
H4E2B5 (*)	300 E – 4 – 5	5 x 40"	5284	2300x2	½" BSPT F	
H4E3B5 (*)	300 E – 4 – 5	5 x 40"	5284	2300x2	¾" BSPT F	
H4E2B6 (*)	300 E – 4 – 6	6x 40"	6300	2700x2	½" BSPT F	
H4E3B6 (*)	300 E – 4 – 6	6 x 40"	6300	2700x2	¾" BSPT F	

(\*) not available in stock – Delivery 8-10 weeks.

# 4" Membrane Vessels End Port Series 300 E-4



(\*\*) Used for 4 to 6 elements vessel only.

SPARE PARTS						
Item	Ref.	Description	Quantity	Material	Remark	
1		Pressure Shell	1	Epoxy FRP	White	
2	H4R041	Seeger	4	AISI 304		
3 + 5	H4R401	End Plate	2	ABS	1/2" 1/2"	
	H4R403	End Plate	2	ABS	3/4" 1/2"	
4	H4R107	Head Seal	2	EPDM	90x5,3	
5	H2R101	Adapter Seal	2	EPDM	19x2,65	
6 + 7	H4R003	Strap	2 - 3	AISI 304 - Rubber		
8	H4R001	Saddle	2 - 3	Rubber		
9	H4R081	Plug	1	ABS		
10	H4R101	O-ring of Plug	1	EPDM	23,6x3,55	
11	H4R209	Seeger Screw	4	AISI 304	M6x14	
12 + 13	H4R601	Adapter	2 (**)	ABS		
13	H2R101	Adapter Seal	4 (**)	EPDM	19x2,65	

## 4" Membrane Vessels End Port Series 450 E-4

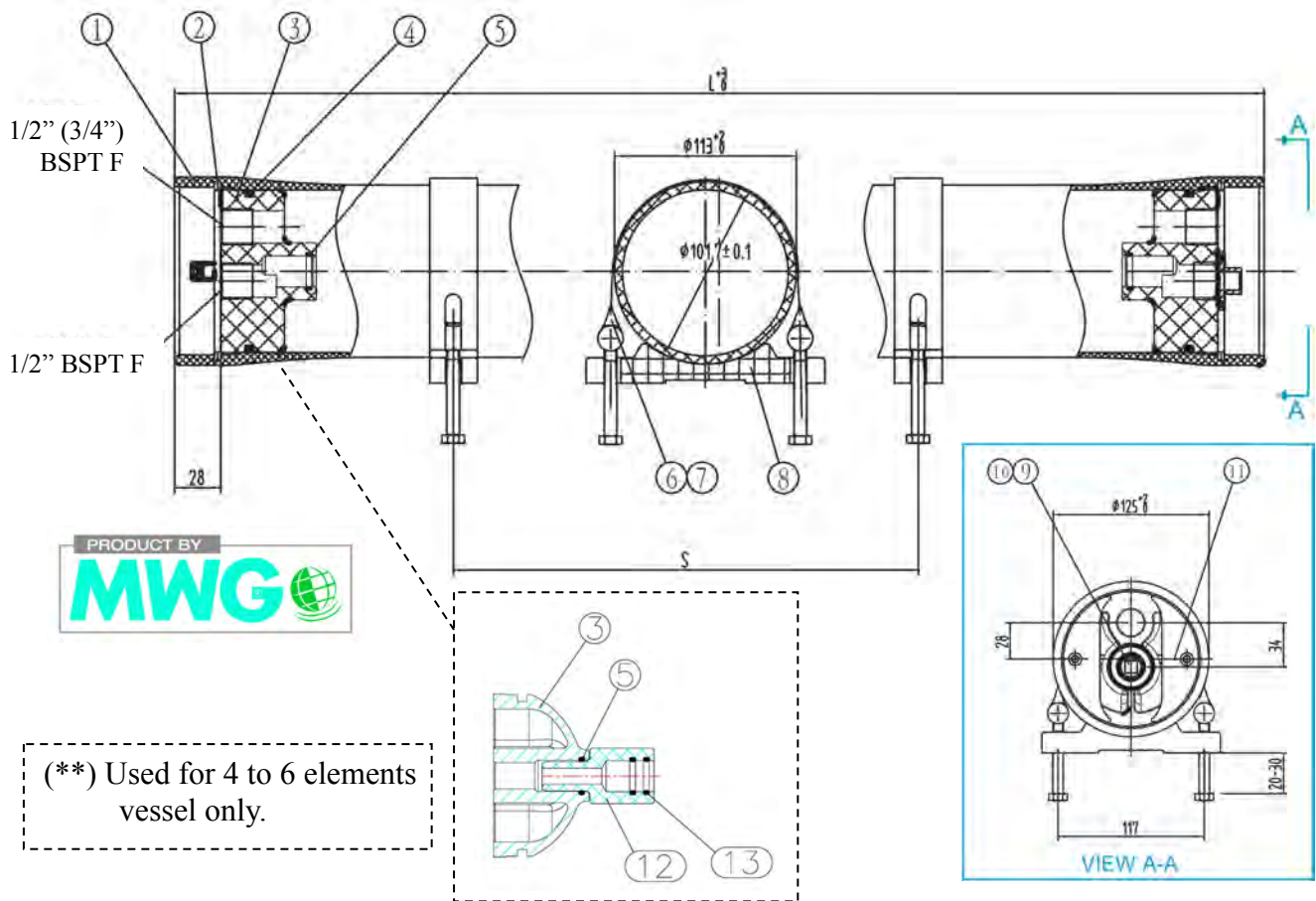


- fiberglass reinforced plastic pressure vessels series 450 E-4, D.75" direct connection, white painted, UVA-ray proof material;
- end-cap in ABS;
- max operating pressure 450 psi (31 bar);
- European 2014/68/EU Directive compliant for pressure equipment (PED);
- built in accordance with ASME code section X;
- D.M. n.174 dated 06/04/2004 compliant about materials suitable for contact with water for human consumption;
- each vessel is factory tested at 1,5 times max operating pressure;
- permeate connections ½" BSPT F;
- straps and saddles included (n.2 pcs from 1 to 3 elements, n.3 pcs from 4 to 6 elements).

REF.	MODEL	ELEMENTS	L (mm)	S (mm)	CONNECTIONS FEED / CONCENTRATE	
H4E2CV	450 E – 4021	1 x 21"	670	400	½" BSPT F	
H4E2C1	450 E – 4 – 1	1 x 40"	1152	600	½" BSPT F	
H4E3C1	450 E – 4 – 1	1 x 40"	1152	600	¾" BSPT F	
H4E2C2	450 E – 4 – 2	2 x 40"	2168	1200	½" BSPT F	
H4E3C2	450 E – 4 – 2	2 x 40"	2168	1200	¾" BSPT F	
H4E2C3	450 E – 4 – 3	3 x 40"	3184	2200	½" BSPT F	
H4E3C3	450 E – 4 – 3	3 x 40"	3184	2200	¾" BSPT F	
H4E2C4 (*)	450 E – 4 – 4	4 x 40"	4280	1600x2	½" BSPT F	
H4E3C4 (*)	450 E – 4 – 4	4 x 40"	4280	1600x2	¾" BSPT F	
H4E2C5 (*)	450 E – 4 – 5	5 x 40"	5296	2300x2	½" BSPT F	
H4E3C5 (*)	450 E – 4 – 5	5 x 40"	5296	2300x2	¾" BSPT F	
H4E2C6 (*)	450 E – 4 – 6	6 x 40"	6312	2700x2	½" BSPT F	
H4E3C6 (*)	450 E – 4 – 6	6 x 40"	6312	2700x2	¾" BSPT F	

(\*) not available in stock – Delivery 8-10 weeks.

# 4" Membrane Vessels End Port Series 450 E-4



(\*\*) Used for 4 to 6 elements vessel only.

SPARE PARTS						
ITEM	REF.	DESCRIPTION	Q.TY	MATERIAL	REMARK	
1		Pressure Shell	1	Epoxy FRP	White	
2	H4R041	Seeger	4	AISI 304		
3 + 5	H4R401	End Plate	2	ABS	1/2" 1/2"	
	H4R403	End Plate	2	ABS	3/4" 1/2"	
4	H4R107	Head Seal	2	EPDM	90x5,3	
5	H2R101	Adapter Seal	2	EPDM	19x2,65	
6 + 7	H4R003	Strap	2 - 3	AISI 304 - Rubber		
8	H4R001	Saddle	2 - 3	Rubber		
9	H4R081	Plug	1	ABS		
10	H4R101	O-ring of Plug	1	EPDM	23,6x3,55	
11	H4R209	Seeger Screw	4	AISI 304	M6x14	
12 + 13	H4R601	Adapter	2 (**)	ABS		
13	H2R101	Adapter Seal	4 (**)	EPDM	19x2,65	

## 4" Membrane Vessels End Port Series 600 E-4

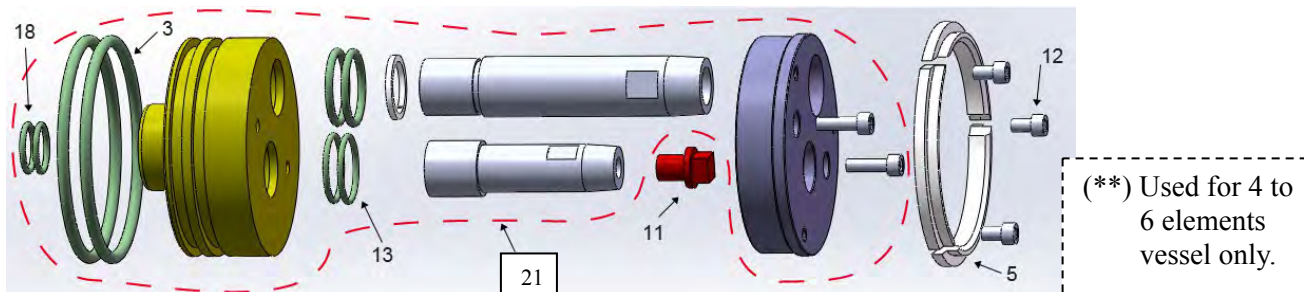


- fiberglass reinforced plastic pressure vessels series 600 E-4, complete with 0,75" adapters, white painted, UVA-ray proof material;
- max operating pressure 600 psi (41 bar);
- European 2014/68/EU Directive compliant for pressure equipment (PED);
- built in accordance with ASME code section X;
- D.M. n.174 dated 06/04/2004 compliant about materials suitable for contact with water for human consumption;
- each vessel is factory tested at 1,5 times max operating pressure;
- feed/concentrate connections ¾" BSPT M, in super duplex steel AISI 2507;
- permeate connections ½" BSPT M;
- straps and saddles included (n.2 pcs from 1 to 3 elements, n.3 pcs from 4 to 6 elements).

(\*) not available in stock – Delivery 8-10 weeks.

REF.	MODEL	ELEMENTS	L (mm)	S (mm)	
H4E4DV	600 E-4021	1 x 21"	762	400	
H4E4D1	600 E-4-1	1 x 40"	1244	600	
H4E4D2 (*)	600 E-4-2	2 x 40"	2260	1200	
H4E4D3 (*)	600 E-4-3	3 x 40"	3276	2200	
H4E4D4 (*)	600 E-4-4	4 x 40"	4372	1600x2	

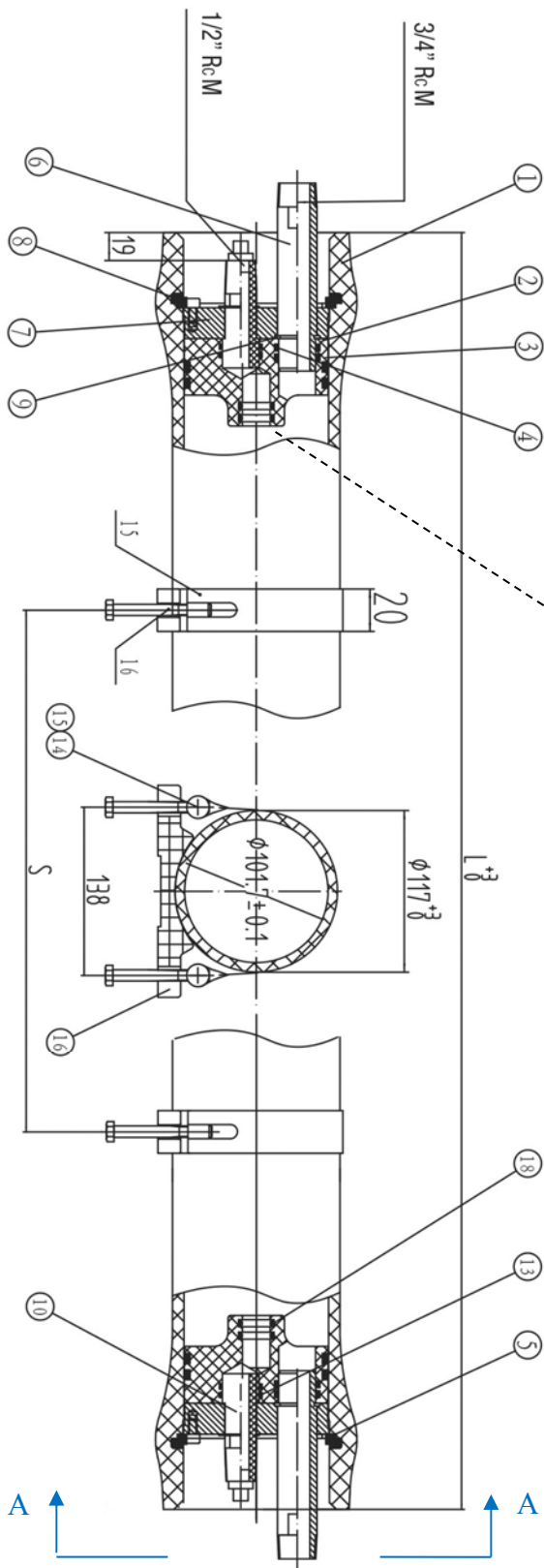
### SPARE PARTS:



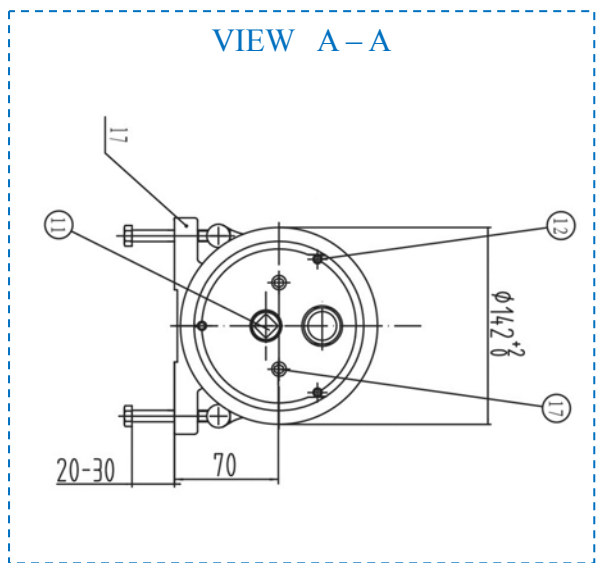
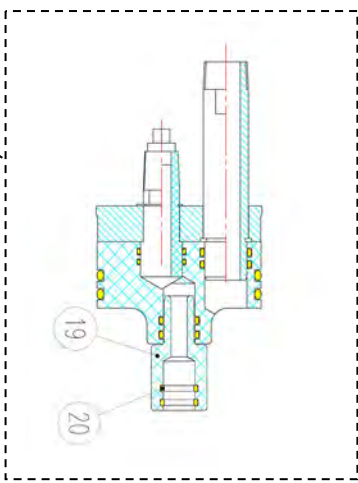
ITEM	REF.	DESCRIPTION	Q.TY	MATERIAL	REMARK	
3	H4R107	Head Seal	4	EPDM	90x5,3	
5	H4R045	Locking Kit (n.3 Segments)	2	AISI 316		
11	H4R083	Plug	1	ABS		
12	H4R205	Securing Screw	6	AISI 304	M6x20	
13	H4R111	Permeate Port O-ring	4	EPDM	25x2,65	
14 + 15	H4R005	Strap	2-3	AISI 304 - Rubber		
16	H4R001	Saddle	2-3	Rubber		
18	H2R101	Adapter Seal	4	EPDM	19x2,65	
19 + 20	H4R603	Adapter	2 (**)	ABS		
20	H2R101	Adapter Seal	4 (**)	EPDM	19x2,65	
21	H4R707	Head Assembly end port	2			



# 4" Membrane Vessels End Port Series 600 E-4



(\*\*) Used for 4 to 6 elements vessel only.



## 4" Membrane Vessels End Port Series 1000 E-4

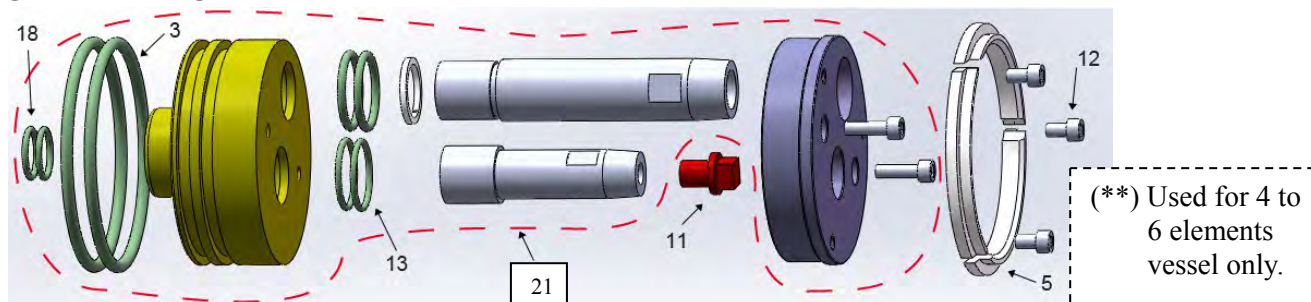


- fiberglass reinforced plastic pressure vessels series 1000 E-4, complete with 0,75" adapters, white painted, UVA-ray proof material;
- max operating pressure 1000 psi (69 bar);
- European 2014/68/EU Directive compliant for pressure equipment (PED);
- built in accordance with ASME code section X;
- D.M. n.174 dated 06/04/2004 compliant about materials suitable for contact with water for human consumption;
- each vessel is factory tested at 1,5 times max operating pressure;
- feed/concentrate connections ¾" BSPT M, in super duplex steel AISI 2507;
- permeate connections ½" BSPT M;
- straps and saddles included (n.2 pcs from 1 to 3 elements, n.3 pcs from 4 to 6 elements).

(\*) not available in stock – Delivery 8-10 weeks.

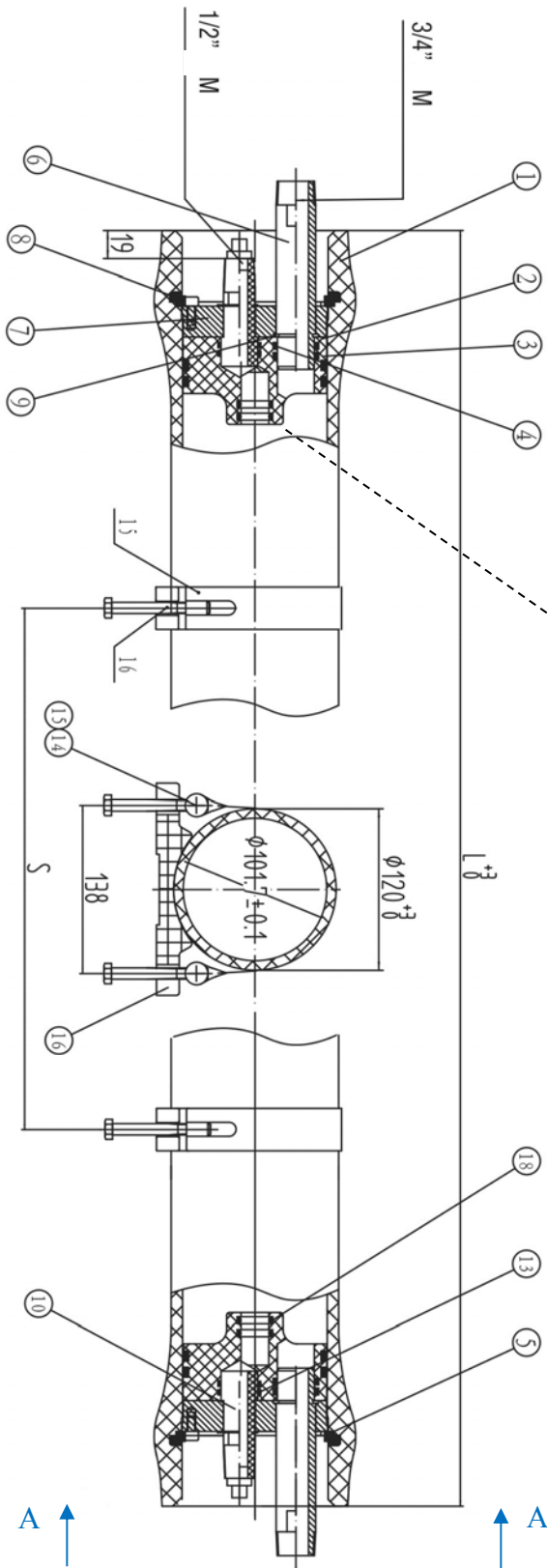
REF.	MODEL	ELEMENTS	L (mm)	S (mm)	
H4E4GV	1000 E-4021	1 x 21"	762	400	
H4E4G1	1000 E-4-1	1 x 40"	1244	600	
H4E4G2	1000 E-4-2	2 x 40"	2260	1200	
H4E4G3	1000 E-4-3	3 x 40"	3276	2200	
H4E4G4 (*)	1000 E-4-4	4 x 40"	4372	1600x2	
H4E4G5 (*)	1000 E-4-5	5 x 40"	5388	2300x2	
H4E4G6 (*)	1000 E-4-6	6 x 40"	6404	2700x2	

### SPARE PARTS:

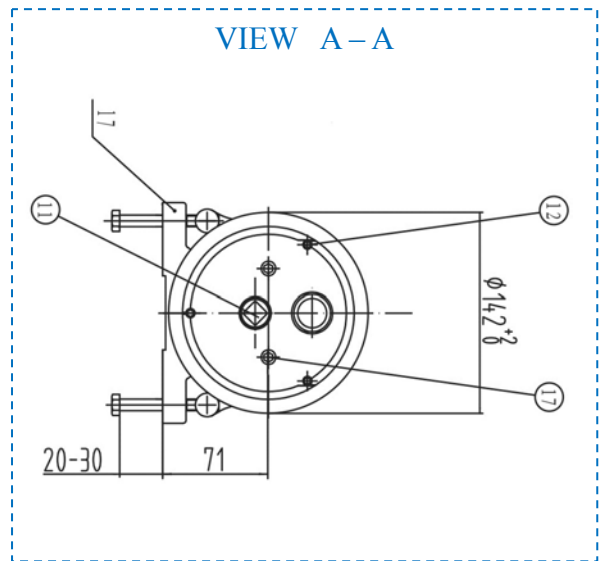
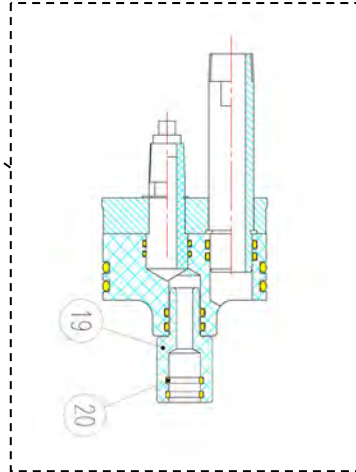


ITEM	REF.	DESCRIPTION	Q.TY	MATERIAL	REMARK	
3	H4R107	Head Seal	4	EPDM	90x5,3	
5	H4R045	Locking Kit (n.3 Segments)	2	AISI 316		
11	H4R083	Plug	1	ABS		
12	H4R205	Securing Screw	6	AISI 304	M6x20	
13	H4R111	Permeate Port O-ring	4	EPDM	25x2,65	
14 + 15	H4R005	Strap	2-3	AISI 304 - Rubber		
16	H4R001	Saddle	2-3	Rubber		
18	H2R101	Adapter Seal	4	EPDM	19x2,65	
19 + 20	H4R603	Adapter	2 (**)	ABS		
20	H2R101	Adapter Seal	4 (**)	EPDM	19x2,65	
21	H4R707	Head Assembly end port	2			

# 4" Membrane Vessels End Port Series 1000 E-4



(\*\*) Used for 4 to 6 elements vessel only.



## 4" Membrane Vessels End Port Series 1200 E-4

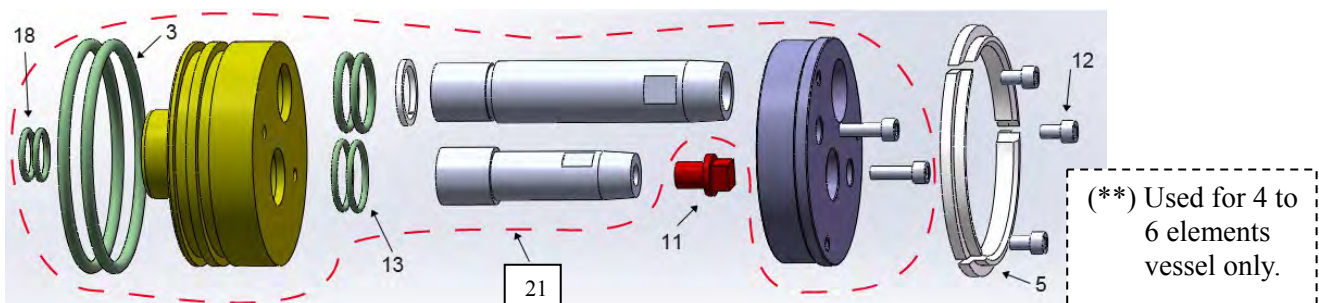


- fiberglass reinforced plastic pressure vessels series 1200 E-4, complete with 0,75" adapters, white painted, UVA-ray proof material;
- max operating pressure 1200 psi (83 bar);
- European 2014/68/EU Directive compliant for pressure equipment (PED);
- built in accordance with ASME code section X;
- D.M. n.174 dated 06/04/2004 compliant about materials suitable for contact with water for human consumption;
- each vessel is factory tested at 1,5 times max operating pressure;
- feed/concentrate connections ¾" BSPT M, in super duplex steel AISI 2507;
- permeate connections ½" BSPT M;
- straps and saddles included (n.2 pcs from 1 to 3 elements, n.3 pcs from 4 to 6 elements).

(\*) not available in stock – Delivery 8-10 weeks.

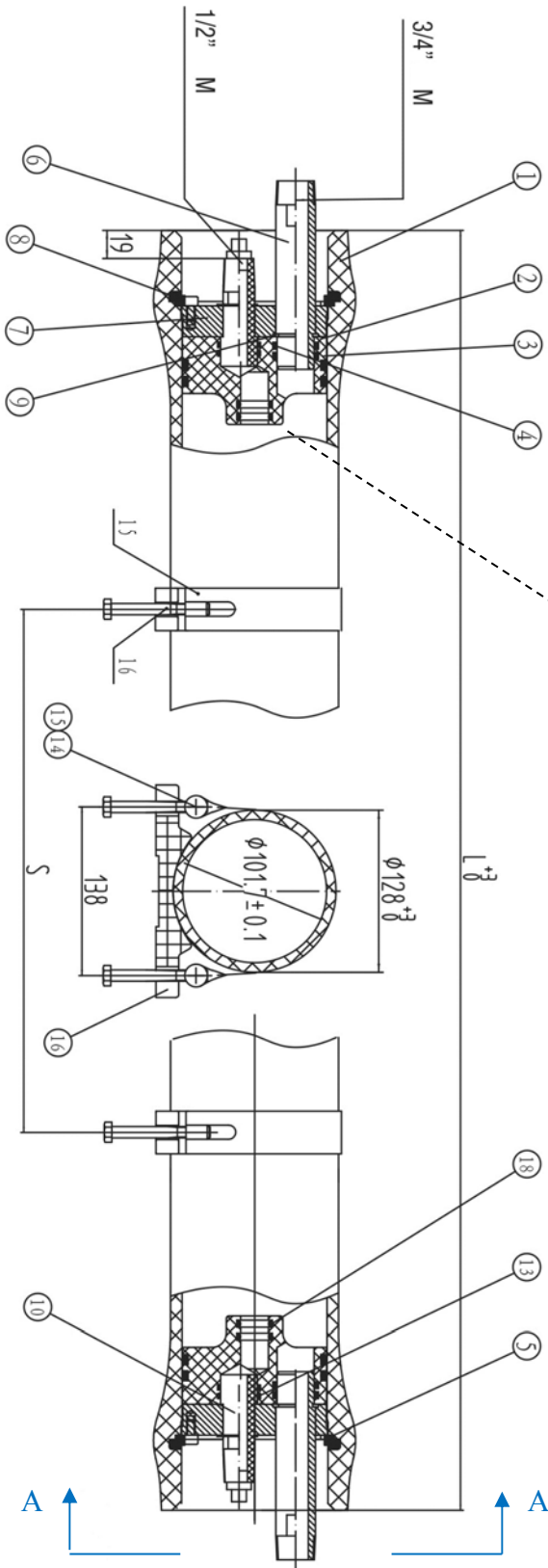
REF.	MODEL	ELEMENTS	L (mm)	S (mm)	
H4E4H1	1200 E-4-1	1 x 40"	1244	600	
H4E4H2	1200 E-4-2	2 x 40"	2260	1200	
H4E4H3	1200 E-4-3	3 x 40"	3276	2200	
H4E4H4 (*)	1200 E-4-4	4 x 40"	4372	1600x2	
H4E4H5 (*)	1200 E-4-5	5 x 40"	5388	2300x2	
H4E4H6 (*)	1200 E-4-6	6 x 40"	6404	2700x2	

### SPARE PARTS:

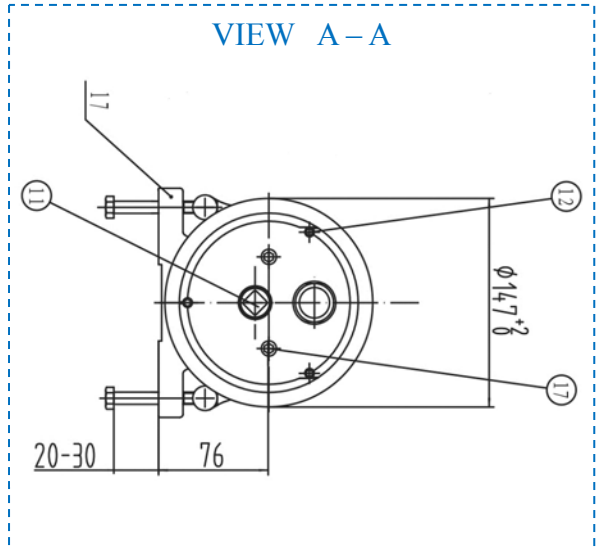
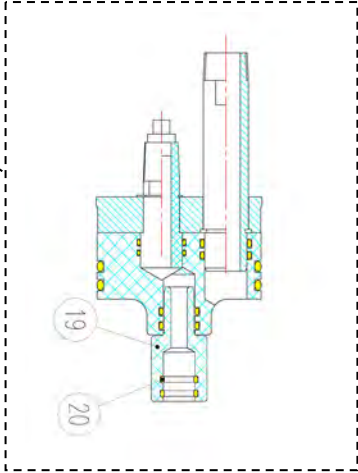


ITEM	REF.	DESCRIPTION	Q.TY	MATERIAL	REMARK
3	H4R107	Head Seal	4	EPDM	90x5,3
5	H4R045	Locking Kit (n.3 Segments)	2	AISI 316	
11	H4R083	Plug	1	ABS	
12	H4R205	Securing Screw	6	AISI 304	M6x20
13	H4R111	Permeate Port O-ring	4	EPDM	25x2,65
14 + 15	H4R005	Strap	2-3	AISI 304 - Rubber	
16	H4R001	Saddle	2-3	Rubber	
18	H2R101	Adapter Seal	4	EPDM	19x2,65
19 + 20	H4R603	Adapter	2 (**)	ABS	
20	H2R101	Adapter Seal	4 (**)	EPDM	19x2,65
21	H4R707	Head Assembly end port	2		

# 4" Membrane Vessels End Port Series 1200 E-4



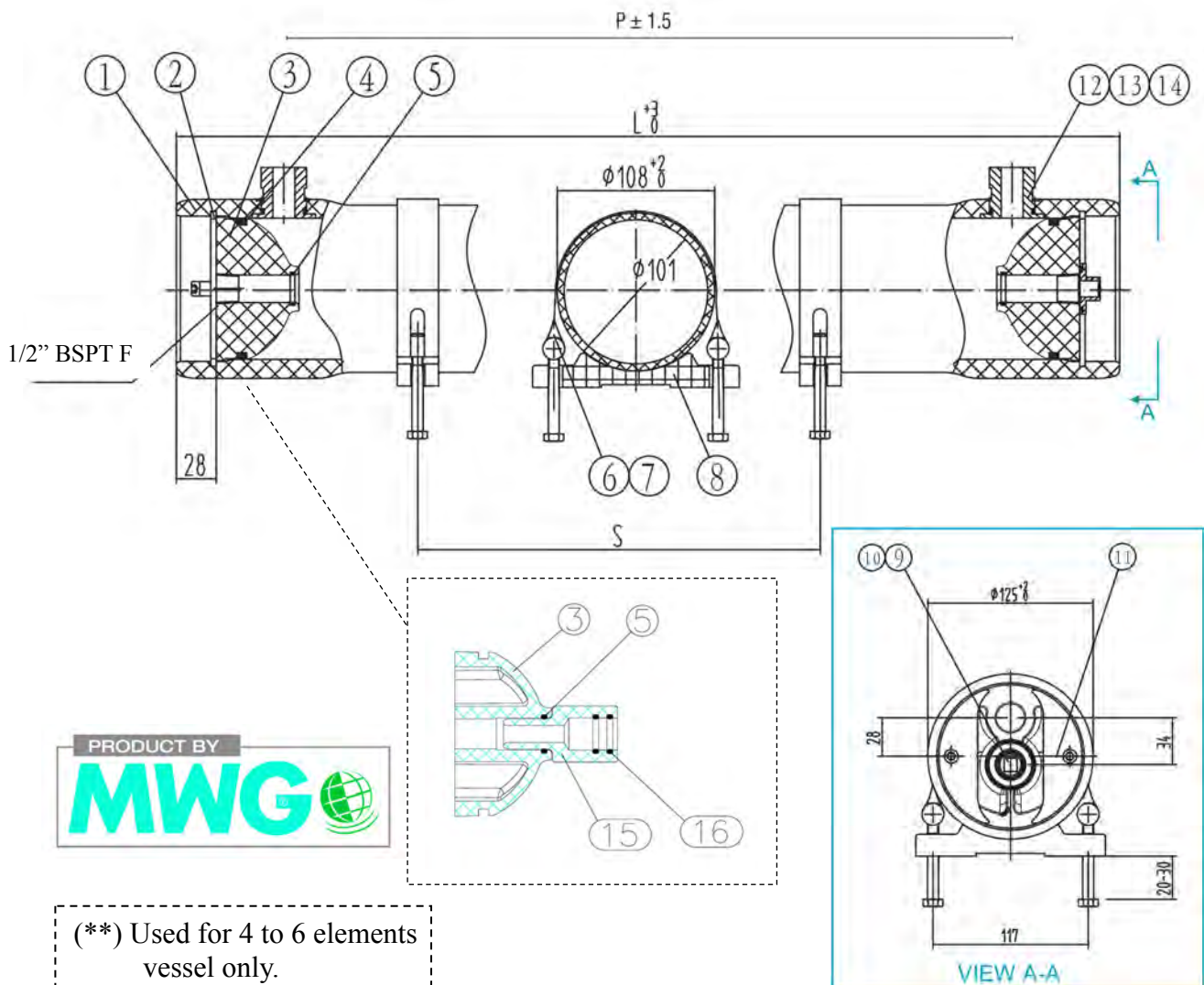
(\*\*) Used for 4 to 6 elements vessel only.



# 4" Membrane Vessels Side Port Series 300 S-4



- fiberglass reinforced plastic pressure vessels series 300 S-4, D.75" direct connection, white painted, UVA-ray proof material;
- max operating pressure 300 psi (21 bar);
- European 2014/68/EU Directive compliant for pressure equipment (PED);
- built in accordance with ASME code section X;
- D.M. n.174 dated 06/04/2004 compliant about materials suitable for contact with water for human consumption;
- each vessel is factory tested at 1,5 times max operating pressure;
- feed/concentrate connections 1" Victaulic, 0° or 180° oriented;
- permeate connections 1/2" BSPT F;
- straps and saddles included (n.2 pcs from 1 to 3 elements, n.3 pcs from 4 to 6 elements).



## 4" Membrane Vessels Side Port Series 300 S-4



REF.	MODEL	ELEMENTS	L (mm)	P (mm)	S (mm)	ORIENT.	
H410B1 (*)	300 S-4-1D5D-1	1 x 40"	1140	984	600	0°	
H410B2 (*)	300 S-4-1D5D-2	2 x 40"	2156	2000	1200	0°	
H410B3 (*)	300 S-4-1D5D-3	3 x 40"	3172	3016	2200	0°	
H410B4 (*)	300 S-4-1D5D-4	4 x 40"	4268	4112	1600x2	0°	
H410B5 (*)	300 S-4-1D5D-5	5 x 40"	5284	5128	2300x2	0°	
H410B6 (*)	300 S-4-1D5D-6	6 x 40"	6300	6144	2700x2	0°	
H412B1	300 S-4-1D7D-1	1 x 40"	1140	984	600	180°	
H412B2	300 S-4-1D7D-2	2 x 40"	2156	2000	1200	180°	
H412B3	300 S-4-1D7D-3	3 x 40"	3172	3016	2200	180°	
H412B4 (*)	300 S-4-1D7D-4	4 x 40"	4268	4112	1600x2	180°	
H412B5 (*)	300 S-4-1D7D-5	5 x 40"	5284	5128	2300x2	180°	
H412B6 (*)	300 S-4-1D7D-6	6 x 40"	6300	6144	2700x2	180°	

(\*) not available in stock – Delivery 8-10 weeks.

SPARE PARTS						
ITEM	REF.	DESCRIPTION	QUANTITY	MATERIAL	REMARK	
1		Pressure Shell	1	Epoxy FRP	White	
2	H4R041	Seeger	4	AISI 304		
3 + 5	H4R405	End Plate	2	ABS		
4	H4R107	Head Seal	2	EPDM	90x5,3	
5	H2R101	Adapter Seal	2	EPDM	19x2,65	
6 + 7	H4R003	Strap	2 - 3	AISI 304 - Rubber		
8	H4R001	Saddle	2 - 3	Rubber		
9	H4R081	Plug	1	ABS		
10	H4R101	O-ring of Plug	1	EPDM	23,6x3,55	
11	H4R209	Seeger Screw	4	AISI 304	M6x14	
15+16	H4R601	Adapter	2 (**)	ABS		
16	H2R101	Adapter Seal	4 (**)	EPDM	19x2,65	

(\*\*) Used for 4 to 6 elements vessel only.

## 4" Membrane Vessels Side Port Series 600 S-4



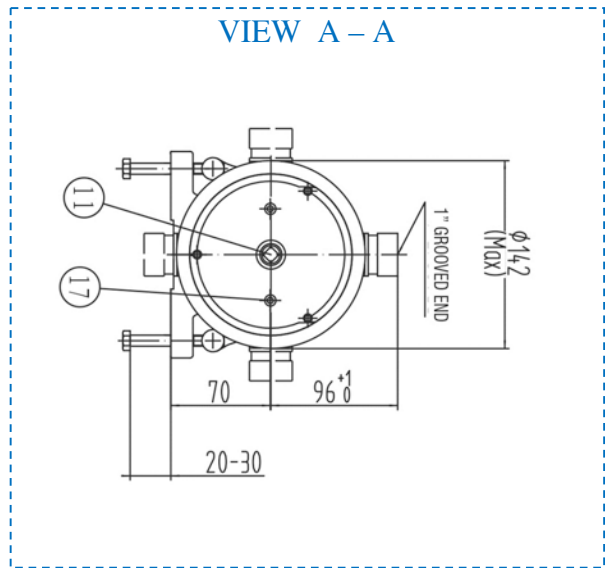
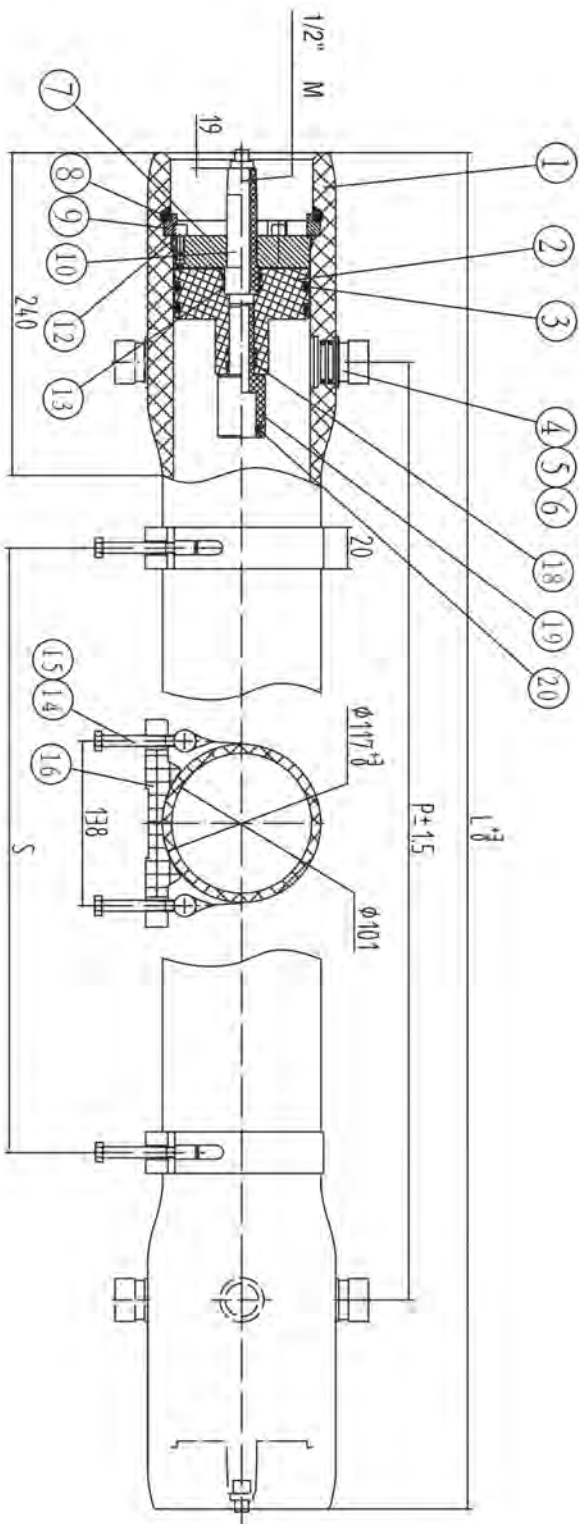
- fiberglass reinforced plastic pressure vessels series 600 S-4, D.75" direct connection, white painted, UVA-ray proof material;
- max operating pressure 600 psi (41 bar);
- European 2014/68/EU Directive compliant for pressure equipment (PED);
- built in accordance with ASME code section X;
- D.M. n.174 dated 06/04/2004 compliant about materials suitable for contact with water for human consumption;
- each vessel is factory tested at 1,5 times max operating pressure;
- feed/conc. connections 1" Victaulic, 0° or 180° oriented, in super duplex steel AISI 2507;
- permeate connections ½" BSPT M;
- straps and saddles included (n.2 pcs from 1 to 3 elements, n.3 pcs from 4 to 6 elements).

REF.	MODEL	ELEMENTS	L (mm)	P (mm)	S (mm)	ORIENT.	
H410D1 (*)	600 S-4-1D5D-1	1 x 40"	1364	1036	600	0°	
H410D2 (*)	600 S-4-1D5D-2	2 x 40"	2380	2052	1200	0°	
H410D3 (*)	600 S-4-1D5D-3	3 x 40"	3396	3068	2200	0°	
H410D4 (*)	600 S-4-1D5D-4	4 x 40"	4412	4084	1600x2	0°	
H410D5 (*)	600 S-4-1D5D-5	5 x 40"	5428	5100	2300x2	0°	
H410D6 (*)	600 S-4-1D5D-6	6 x 40"	6444	6116	2700x2	0°	
H412D1	600 S-4-1D7D-1	1 x 40"	1364	1036	600	180°	
H412D2	600 S-4-1D7D-2	2 x 40"	2380	2052	1200	180°	
H412D3	600 S-4-1D7D-3	3 x 40"	3396	3068	2200	180°	
H412D4 (*)	600 S-4-1D7D-4	4 x 40"	4412	4084	1600x2	180°	
H412D5 (*)	600 S-4-1D7D-5	5 x 40"	5428	5100	2300x2	180°	
H412D6 (*)	600 S-4-1D7D-6	6 x 40"	6444	6116	2700x2	180°	

(\*) not available in stock – Delivery 8-10 weeks.



# 4" Membrane Vessels Side Port Series 600 S-4



## 4" Membrane Vessels Side Port Series 1000 S-4

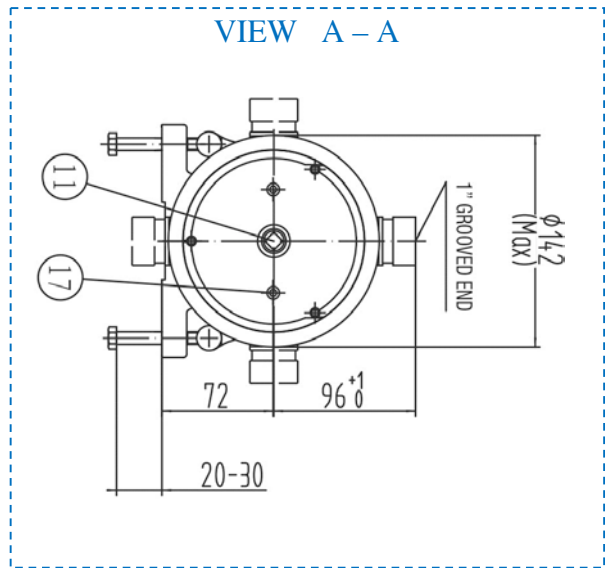
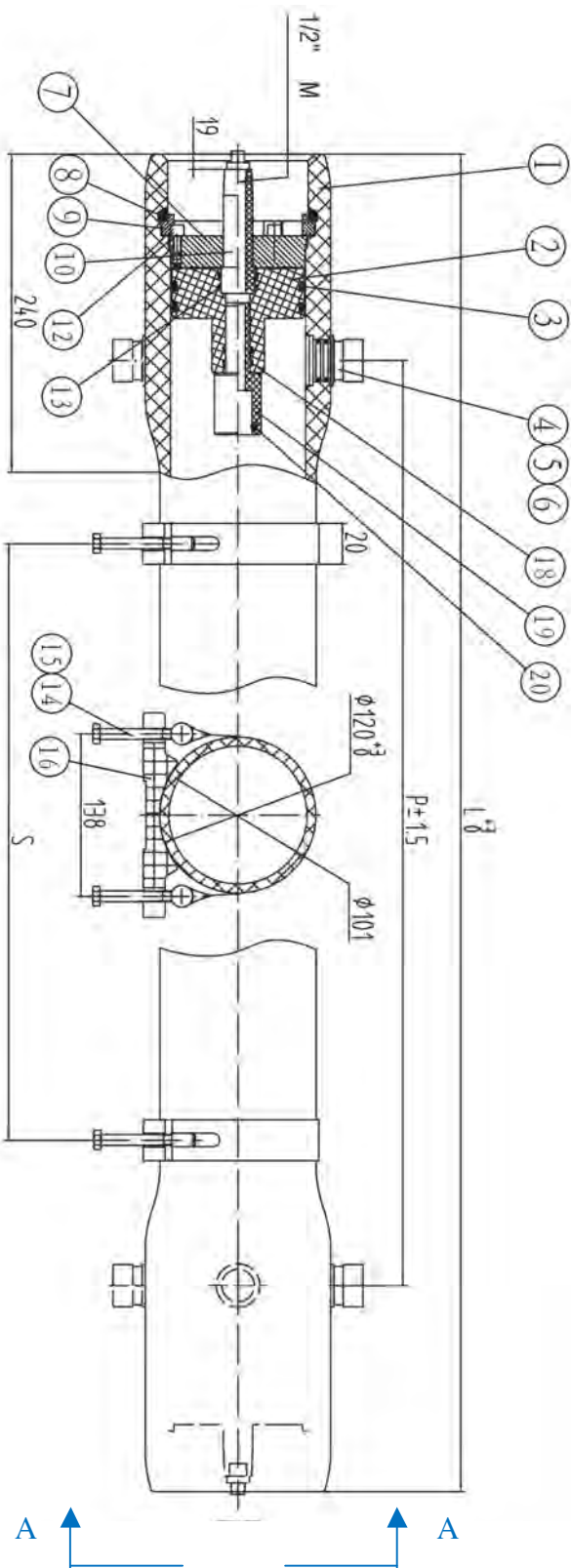


- fiberglass reinforced plastic pressure vessels series 1000 S-4, D.75" direct connection, white painted, UVA-ray proof material;
- max operating pressure 1000 psi (69 bar);
- European 2014/68/EU Directive compliant for pressure equipment (PED);
- built in accordance with ASME code section X;
- D.M. n.174 dated 06/04/2004 compliant about materials suitable for contact with water for human consumption;
- each vessel is factory tested at 1,5 times max operating pressure;
- feed/conc. connections 1" Victaulic, 0° or 180° oriented, in super duplex steel AISI 2507;
- permeate connections ½" BSPT M;
- straps and saddles included (n.2 pcs from 1 to 3 elements, n.3 pcs from 4 to 6 elements).

REF.	MODEL	ELEMENTS	L (mm)	P (mm)	S (mm)	ORIENT.	
H410G1 (*)	1000 S-4-1D5D-1	1 x 40"	1364	1036	600	0°	
H410G2 (*)	1000 S-4-1D5D-2	2 x 40"	2380	2052	1200	0°	
H410G3 (*)	1000 S-4-1D5D-3	3 x 40"	3396	3068	2200	0°	
H410G4 (*)	1000 S-4-1D5D-4	4 x 40"	4412	4084	1600x2	0°	
H410G5 (*)	1000 S-4-1D5D-5	5 x 40"	5428	5100	2300x2	0°	
H410G6 (*)	1000 S-4-1D5D-6	6 x 40"	6444	6116	2700x2	0°	
H412G1	1000 S-4-1D7D-1	1 x 40"	1364	1036	600	180°	
H412G2	1000 S-4-1D7D-2	2 x 40"	2380	2052	1200	180°	
H412G3	1000 S-4-1D7D-3	3 x 40"	3396	3068	2200	180°	
H412G4 (*)	1000 S-4-1D7D-4	4 x 40"	4412	4084	1600x2	180°	
H412G5 (*)	1000 S-4-1D7D-5	5 x 40"	5428	5100	2300x2	180°	
H412G6 (*)	1000 S-4-1D7D-6	6 x 40"	6444	6116	2700x2	180°	

(\*) not available in stock – Delivery 8-10 weeks.

# 4" Membrane Vessels Side Port Series 1000 S-4



## 4" Membrane Vessels Side Port Series 1200 S-4

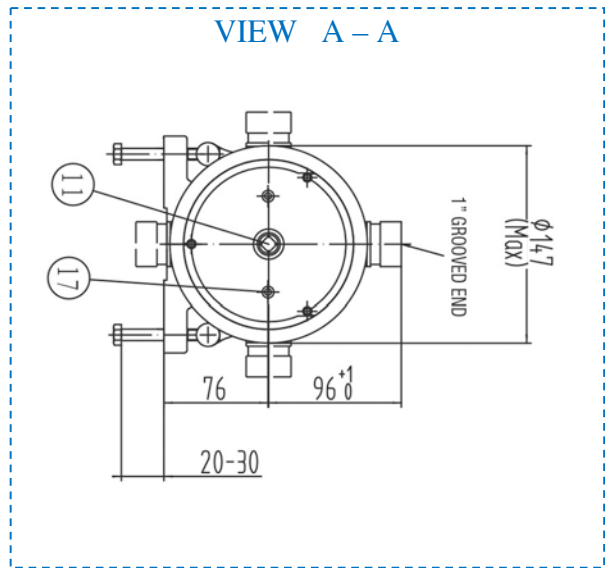
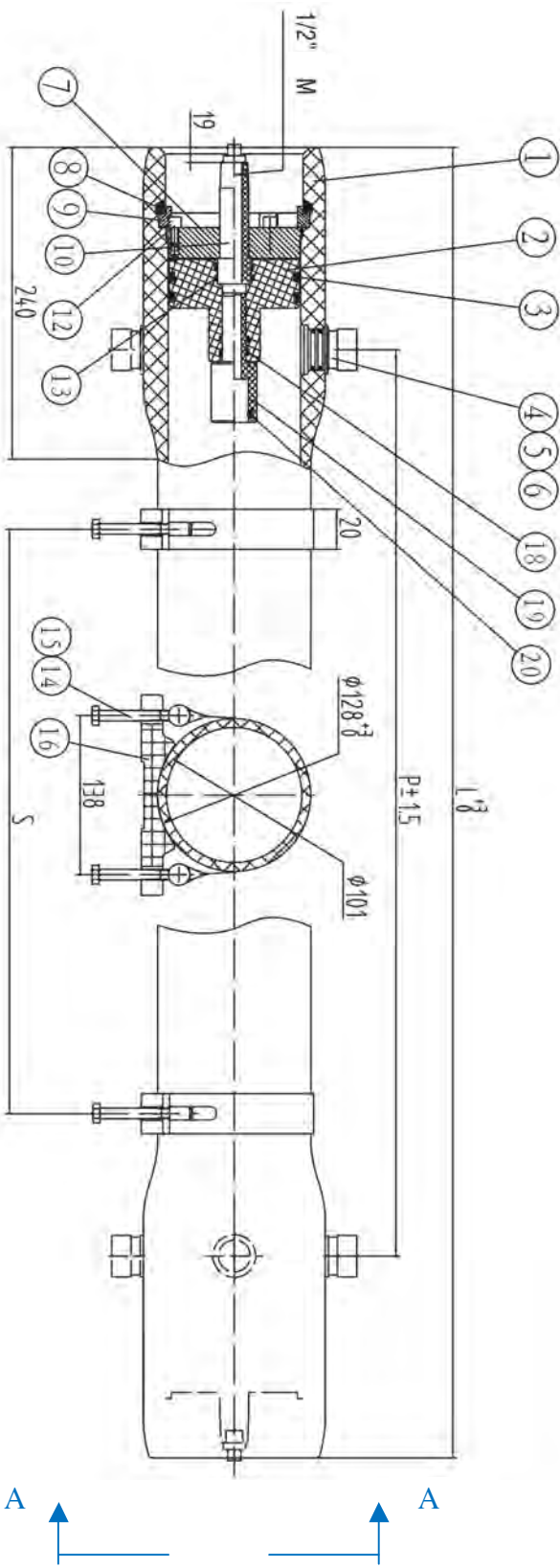


- fiberglass reinforced plastic pressure vessels series 1200 S-4, D.75" direct connection, white painted, UVA-ray proof material;
- max operating pressure 1200 psi (83 bar);
- European 2014/68/EU Directive compliant for pressure equipment (PED);
- built in accordance with ASME code section X;
- D.M. n.174 dated 06/04/2004 compliant about materials suitable for contact with water for human consumption;
- each vessel is factory tested at 1,5 times max operating pressure;
- feed/conc. connections 1" Victaulic, 0° or 180° oriented, in super duplex steel AISI 2507;
- permeate connections ½" BSPT M;
- straps and saddles included (n.2 pcs from 1 to 3 elements, n.3 pcs from 4 to 6 elements).

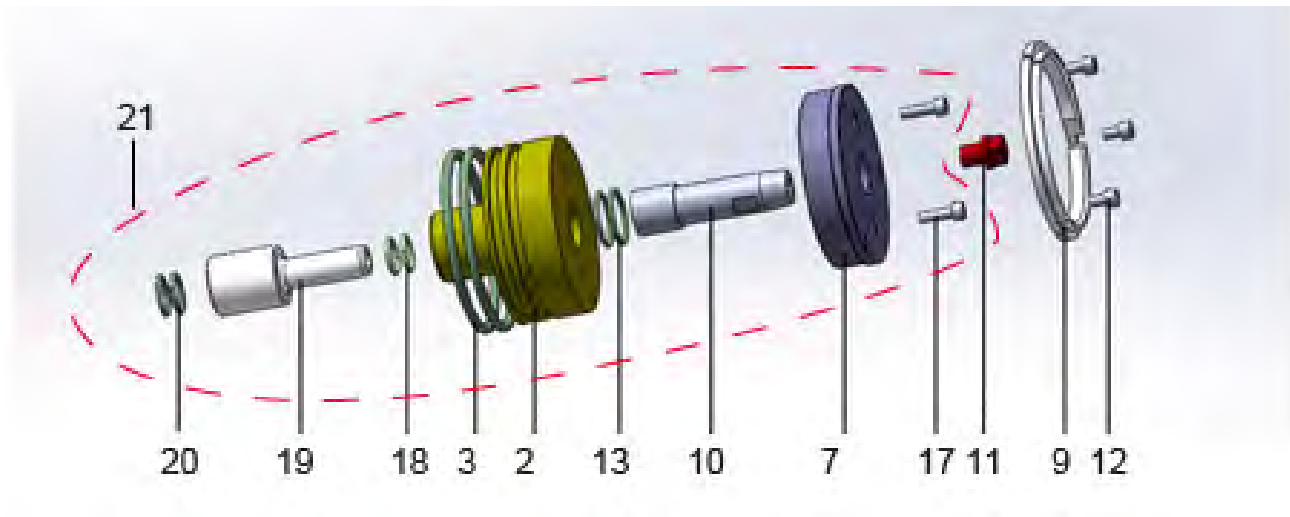
REF.	MODEL	ELEMENTS	L (mm)	P (mm)	S (mm)	ORIENT.	
H410H1 (*)	1200 S-4-1D5D-1	1 x 40"	1364	1036	600	0°	
H410H2 (*)	1200 S-4-1D5D-2	2 x 40"	2380	2052	1200	0°	
H410H3 (*)	1200 S-4-1D5D-3	3 x 40"	3396	3068	2200	0°	
H410H4 (*)	1200 S-4-1D5D-4	4 x 40"	4412	4084	1600x2	0°	
H410H5 (*)	1200 S-4-1D5D-5	5 x 40"	5428	5100	2300x2	0°	
H410H6 (*)	1200 S-4-1D5D-6	6 x 40"	6444	6116	2700x2	0°	
H412H1	1200 S-4-1D7D-1	1 x 40"	1364	1036	600	180°	
H412H2	1200 S-4-1D7D-2	2 x 40"	2380	2052	1200	180°	
H412H3	1200 S-4-1D7D-3	3 x 40"	3396	3068	2200	180°	
H412H4 (*)	1200 S-4-1D7D-4	4 x 40"	4412	4084	1600x2	180°	
H412H5 (*)	1200 S-4-1D7D-5	5 x 40"	5428	5100	2300x2	180°	
H412H6 (*)	1200 S-4-1D7D-6	6 x 40"	6444	6116	2700x2	180°	

(\*) not available in stock – Delivery 8-10 weeks.

# 4" Membrane Vessels Side Port Series 1200 S-4



# 4" Side Port 600-1000-1200 Psi Vessels Spare Parts



ITEM	REF.	DESCRIPTION	Q.TY	MATERIAL	NOTE	
3	H4R107	Head Seal	4	EPDM	90x5,3	
9	H4R045	Locking Kit (n.3 Segments)	2	AISI 316		
11	H4R083	Plug	1	ABS		
12	H4R205	Securing Screw	6	AISI 304	M6x20	
13	H4R111	Permeate Port O-ring	4	EPDM	25x2,65	
NOT SHOWN	H4R005	Strap	2-3	AISI 304 - Rubber		
NOT SHOWN	H4R001	Saddle	2-3	Rubber		
18	H4R113	Sealing Plate O-ring	4	EPDM	17x2,65	
19 + 20	H4R603	Adapter	2	ABS		
20	H2R101	Adapter Seal	4	EPDM	19x2,65	
21	H4R717	Head Assembly side port	2			



## 8" Membrane Vessels End Port Series 300 E-8



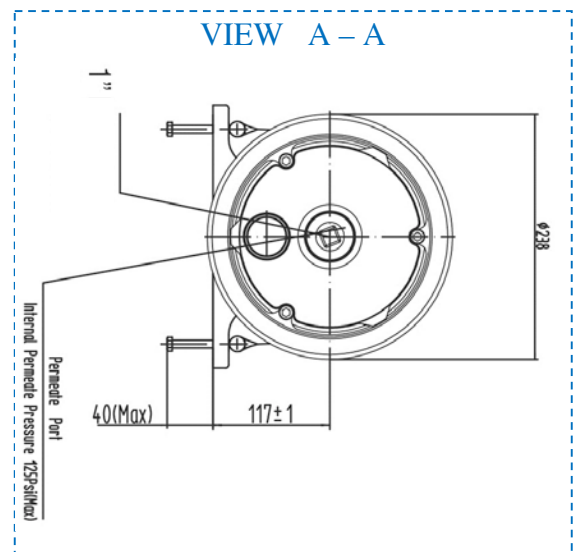
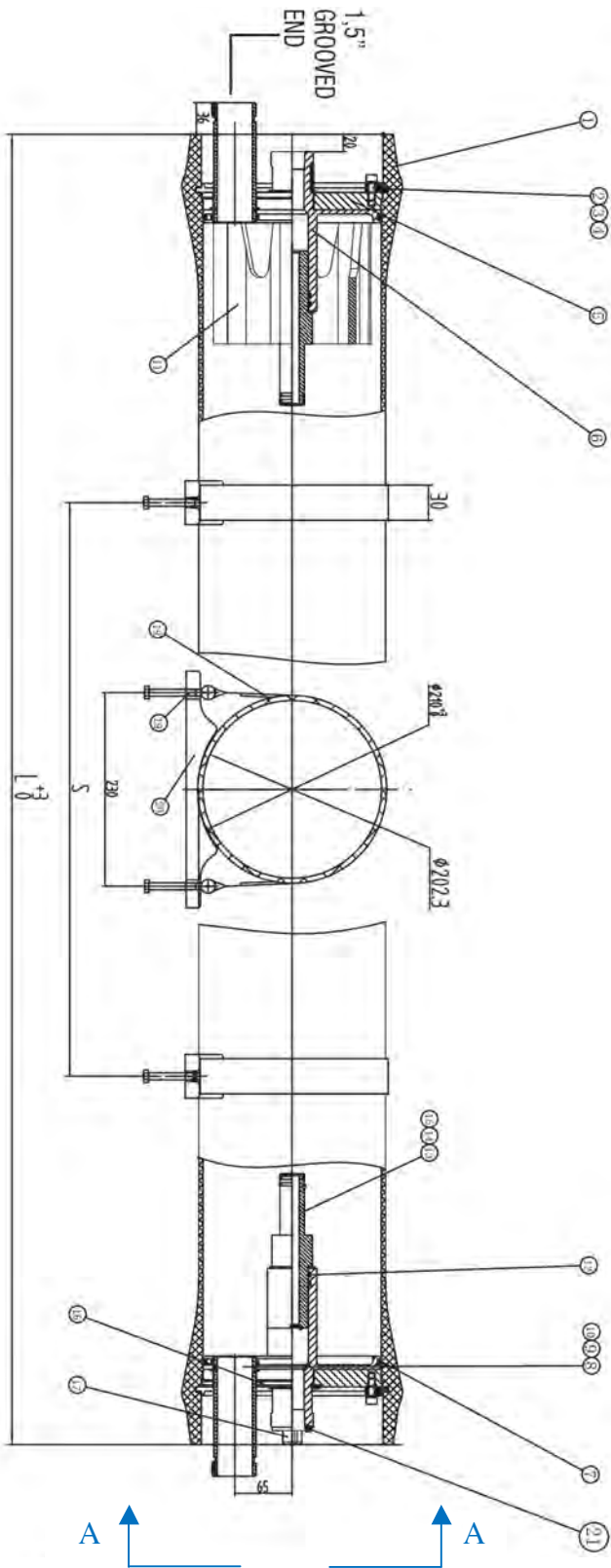
- fiberglass reinforced plastic pressure vessels series 300 E-8, white painted, UVA-ray proof material;
- max operating pressure 300 psi (21 bar);
- European 2014/68/EU Directive compliant for pressure equipment (PED);
- built in accordance with ASME code section X;
- D.M. n.174 dated 06/04/2004 compliant about materials suitable for contact with water for human consumption;
- each vessel is factory tested at 1,5 times max operating pressure;
- feed/concentrate connections 1 ½" Victaulic;
- permeate connections 1" BSPT F;
- straps and saddles included (n.2 pcs from 1 to 3 elements, n.3 pcs from 4 to 7 elements);
- 1,125" membrane adapters included.

REF.	MODEL	ELEMENTS	L (mm)	S (mm)	
H8E5B1	300 E – 8040 – 1	1 x 40"	1498	700	
H8E5B2	300 E – 8040 – 2	2 x 40"	2514	1460	
H8E5B3	300 E – 8040 – 3	3 x 40"	3530	2080	
H8E5B4	300 E – 8040 – 4	4 x 40"	4546	1600x2	
H8E5B5	300 E – 8040 – 5	5 x 40"	5562	2000x2	
H8E5B6	300 E – 8040 – 6	6 x 40"	6578	2360x2	
H8E5B7 (*)	300 E – 8040 – 7	7 x 40"	7594	2860x2	

(\*) not available in stock – Delivery 8-10 weeks.



# 8" Membrane Vessels End Port Series 300 E-8



## 8" Membrane Vessels End Port Series 450 E-8

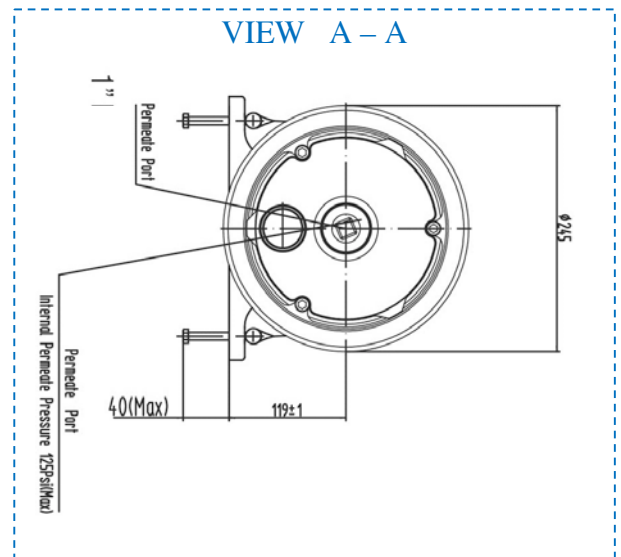
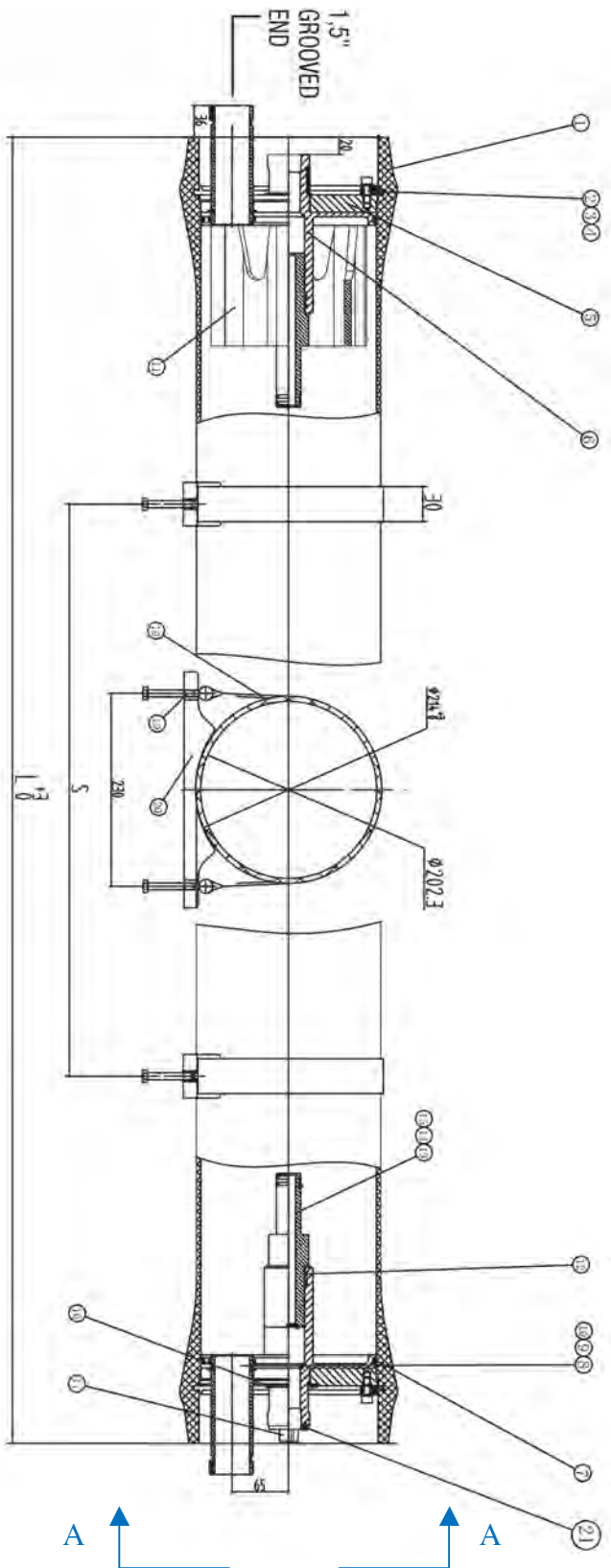


- fiberglass reinforced plastic pressure vessels series 450 E-8, white painted, UVA-ray proof material;
- max operating pressure 450 psi (31 bar);
- European 2014/68/EU Directive compliant for pressure equipment (PED);
- built in accordance with ASME code section X;
- D.M. n.174 dated 06/04/2004 compliant about materials suitable for contact with water for human consumption;
- each vessel is factory tested at 1,5 times max operating pressure;
- feed/concentrate connections 1 ½" Victaulic;
- permeate connections 1" BSPT F;
- straps and saddles included (n.2 pcs from 1 to 3 elements, n.3 pcs from 4 to 7 elements);
- 1,125" membrane adapters included.

REF.	MODEL	ELEMENTS	L (mm)	S (mm)	
H8E5C1	450 E – 8040 – 1	1 x 40"	1498	700	
H8E5C2	450 E – 8040 – 2	2 x 40"	2514	1460	
H8E5C3	450 E – 8040 – 3	3 x 40"	3530	2080	
H8E5C4 (*)	450 E – 8040 – 4	4 x 40"	4546	1600x2	
H8E5C5 (*)	450 E – 8040 – 5	5 x 40"	5562	2000x2	
H8E5C6 (*)	450 E – 8040 – 6	6 x 40"	6578	2360x2	
H8E5C7 (*)	450 E – 8040 – 7	7 x 40"	7594	2860x2	

(\*) not available in stock – Delivery 8-10 weeks.

# 8" Membrane Vessels End Port Series 450 E-8



## 8" Membrane Vessels End Port Series 600 E-8

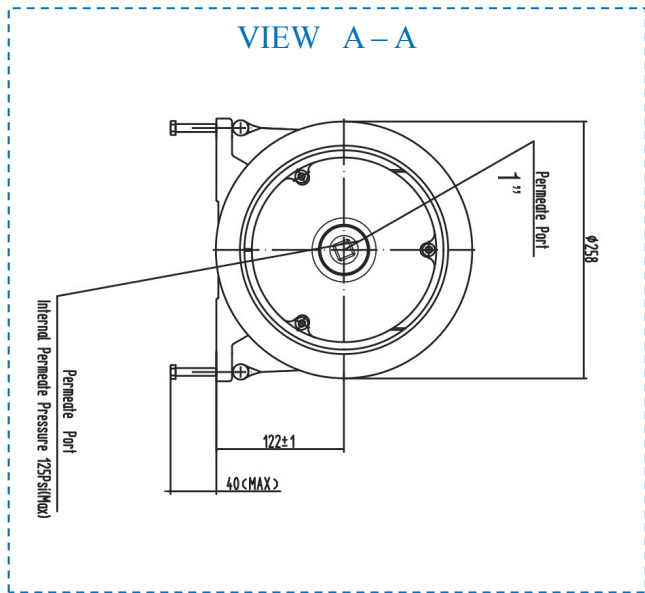
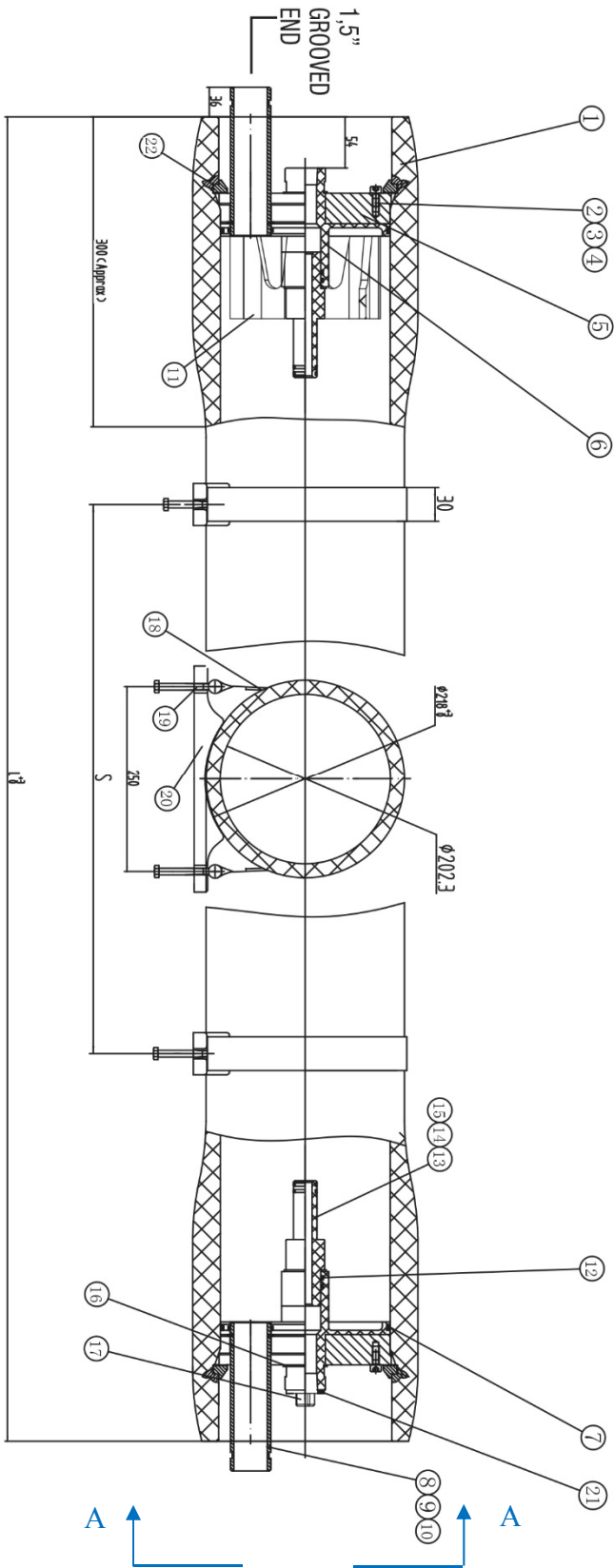


- fiberglass reinforced plastic pressure vessels series 600 E-8, white painted, UVA-ray proof material;
- max operating pressure 600 psi (41 bar);
- European 2014/68/EU Directive compliant for pressure equipment (PED);
- built in accordance with ASME code section X;
- D.M. n.174 dated 06/04/2004 compliant about materials suitable for contact with water for human consumption;
- each vessel is factory tested at 1,5 times max operating pressure;
- feed/concentrate connections 1 ½" Victaulic in super duplex steel AISI 2507;
- permeate connections 1" BSPT F;
- straps and saddles included (n.2 pcs from 1 to 3 elements, n.3 pcs from 4 to 7 elements);
- 1,125" membrane adapters included.

REF.	MODEL	ELEMENTS	L (mm)	S (mm)	
H8E5D1	600 E – 8040 – 1	1 x 40"	1514	700	
H8E5D2	600 E – 8040 – 2	2 x 40"	2530	1460	
H8E5D3 (*)	600 E – 8040 – 3	3 x 40"	3546	2080	
H8E5D4 (*)	600 E – 8040 – 4	4 x 40"	4562	1600x2	
H8E5D5 (*)	600 E – 8040 – 5	5 x 40"	5578	2000x2	
H8E5D6 (*)	600 E – 8040 – 6	6 x 40"	6594	2360x2	
H8E5D7 (*)	600 E – 8040 – 7	7 x 40"	7610	2860x2	

(\*) not available in stock – Delivery 8-10 weeks.

# 8" Membrane Vessels End Port Series 600 E-8



## 8" Membrane Vessels End Port Series 1000 E-8

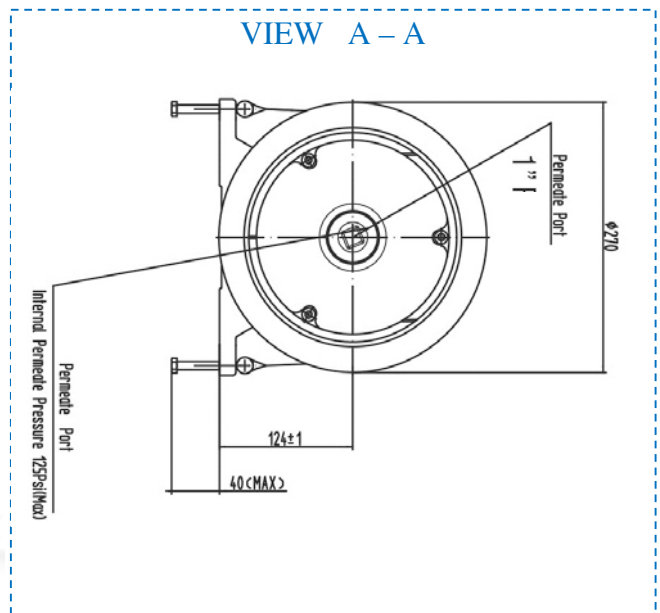
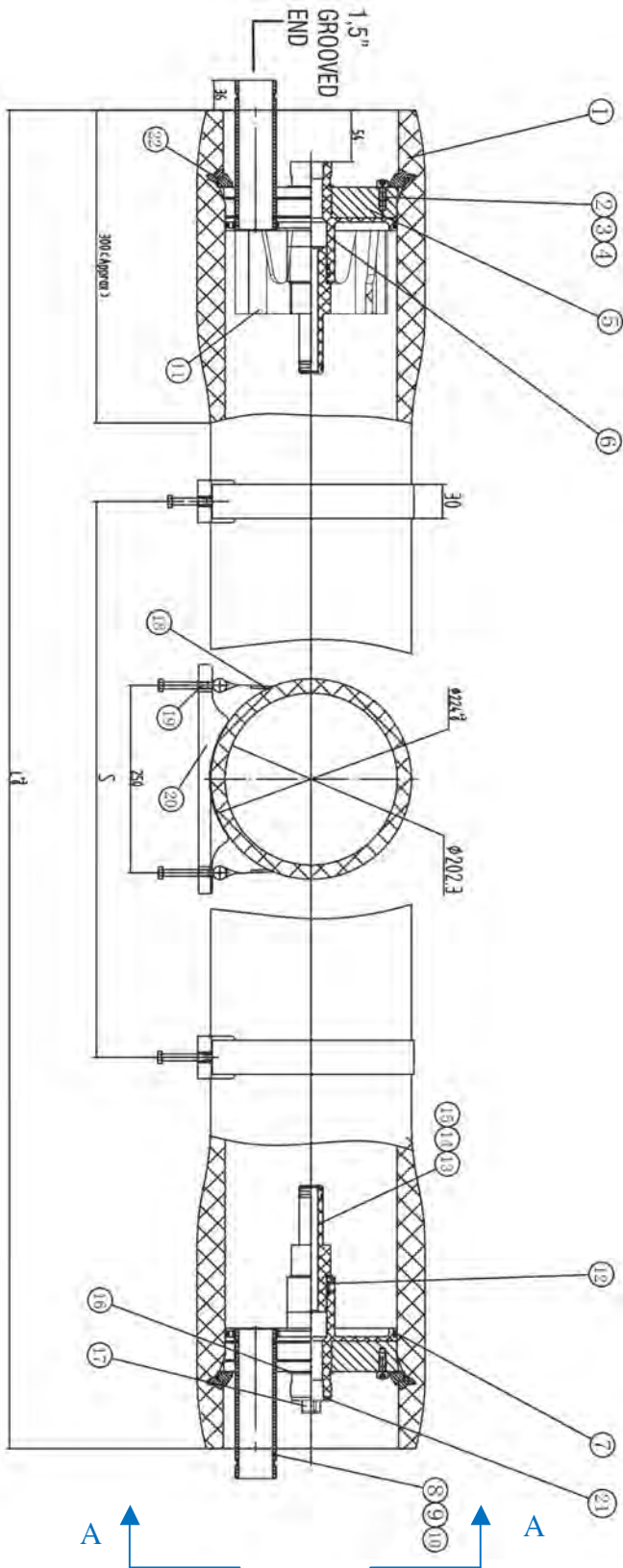


- fiberglass reinforced plastic pressure vessels series 1000 E-8, white painted, UVA-ray proof material;
- max operating pressure 1000 psi (69 bar);
- European 2014/68/EU Directive compliant for pressure equipment (PED);
- built in accordance with ASME code section X;
- D.M. n.174 dated 06/04/2004 compliant about materials suitable for contact with water for human consumption;
- each vessel is factory tested at 1,5 times max operating pressure;
- feed/concentrate connections 1 ½" Victaulic in super duplex steel AISI 2507;
- permeate connections 1" BSPT F;
- straps and saddles included (n.2 pcs from 1 to 3 elements, n.3 pcs from 4 to 7 elements);
- 1,125" membrane adapters included.

REF.	MODEL	ELEMENTS	L (mm)	S (mm)	
H8E5G1	1000 E – 8040 – 1	1 x 40"	1514	700	
H8E5G2	1000 E – 8040 – 2	2 x 40"	2530	1460	
H8E5G3	1000 E – 8040 – 3	3 x 40"	3546	2080	
H8E5G4 (*)	1000 E – 8040 – 4	4 x 40"	4562	1600x2	
H8E5G5 (*)	1000 E – 8040 – 5	5 x 40"	5578	2000x2	
H8E5G6 (*)	1000 E – 8040 – 6	6 x 40"	6594	2360x2	
H8E5G7 (*)	1000 E – 8040 – 7	7 x 40"	7610	2860x2	

(\*) not available in stock – Delivery 8-10 weeks.

# 8" Membrane Vessels End Port Series 1000 E-8



## 8" Membrane Vessels End Port Series 1200 E-8



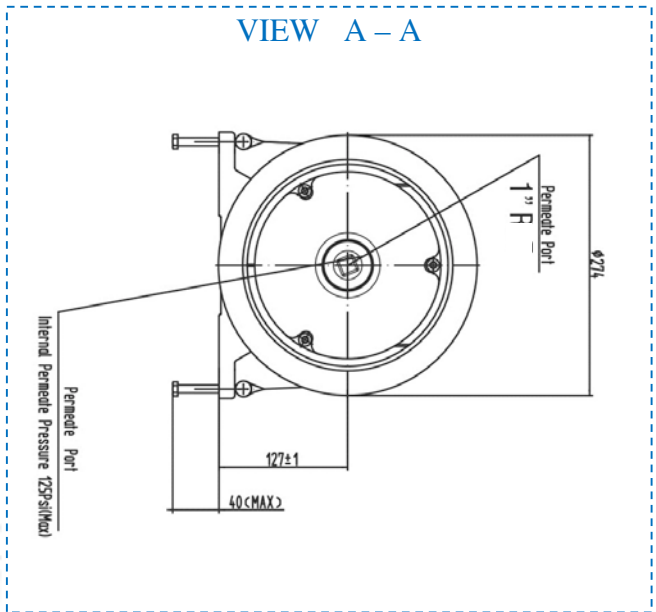
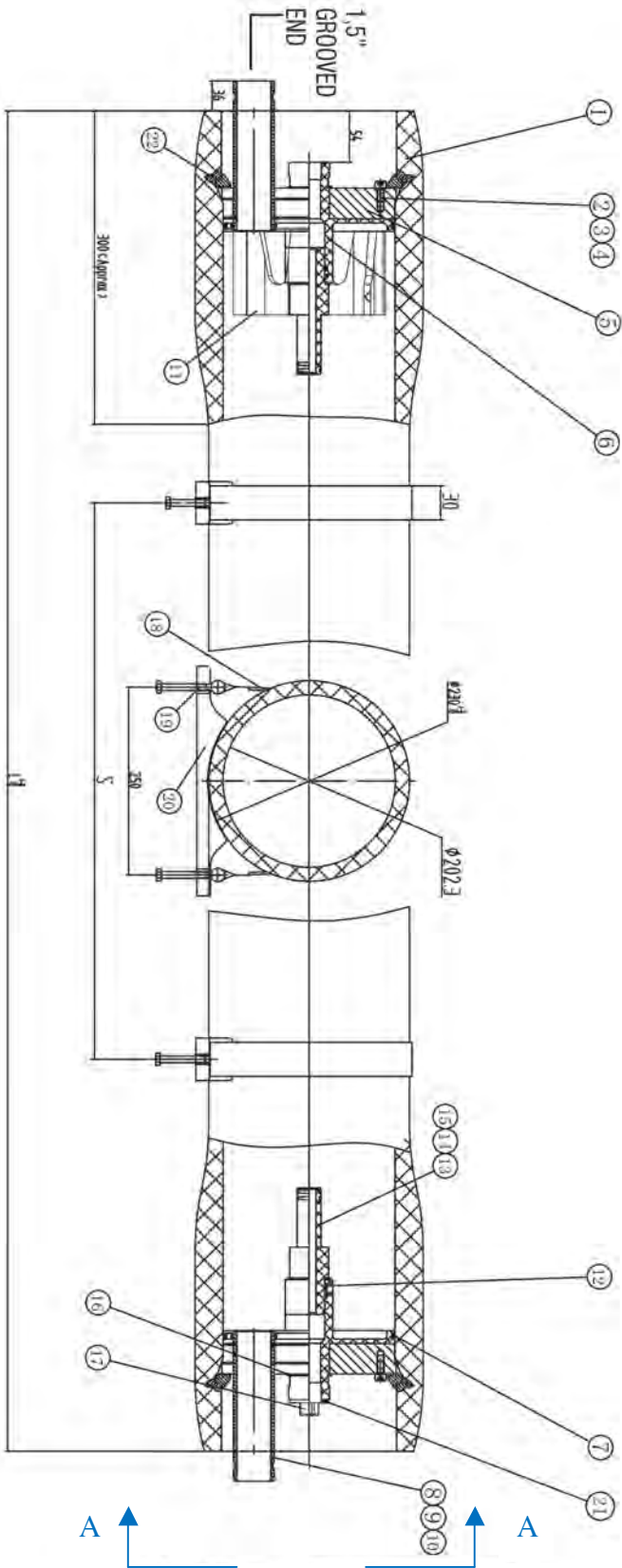
- fiberglass reinforced plastic pressure vessels series 1000 E-8, white painted, UVA-ray proof material;
- max operating pressure 1200 psi (83 bar);
- European 2014/68/EU Directive compliant for pressure equipment (PED);
- built in accordance with ASME code section X;
- D.M. n.174 dated 06/04/2004 compliant about materials suitable for contact with water for human consumption;
- each vessel is factory tested at 1,5 times max operating pressure;
- feed/concentrate connections 1 ½" Victaulic in super duplex steel AISI 2507;
- permeate connections 1" BSPT F;
- straps and saddles included (n.2 pcs from 1 to 3 elements, n.3 pcs from 4 to 7 elements);
- 1,125" membrane adapters included.

REF.	MODEL	ELEMENTS	L (mm)	S (mm)	
H8E5H1	1200 E – 8040 – 1	1 x 40"	1514	700	
H8E5H2	1200 E – 8040 – 2	2 x 40"	2530	1460	
H8E5H3	1200 E – 8040 – 3	3 x 40"	3546	2080	
H8E5H4 (*)	1200 E – 8040 – 4	4 x 40"	4562	1600x2	
H8E5H5 (*)	1200 E – 8040 – 5	5 x 40"	5578	2000x2	
H8E5H6 (*)	1200 E – 8040 – 6	6 x 40"	6594	2360x2	
H8E5H7 (*)	1200 E – 8040 – 7	7 x 40"	7610	2860x2	

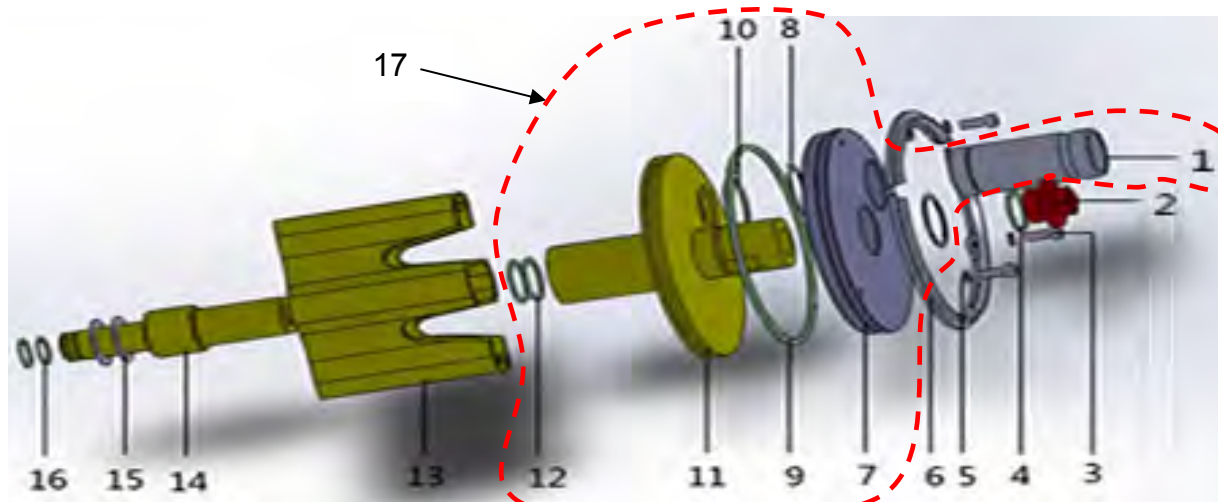
(\*) not available in stock – Delivery 8-10 weeks.



# 8" Membrane Vessels End Port Series 1200 E-8

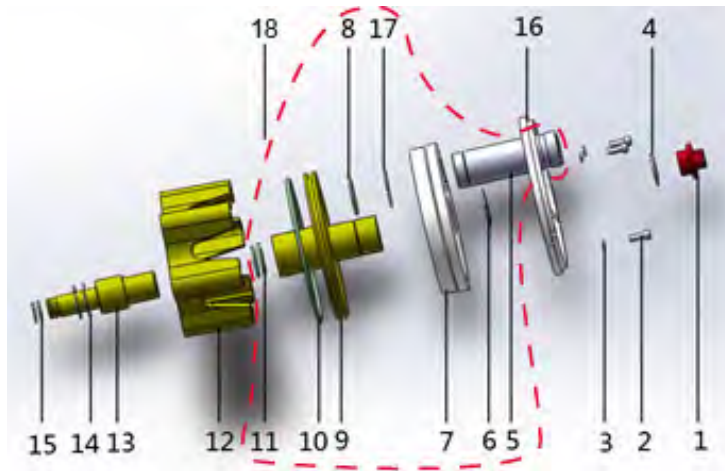


# 8" End Port 300-450 Psi Vessels Spare Parts



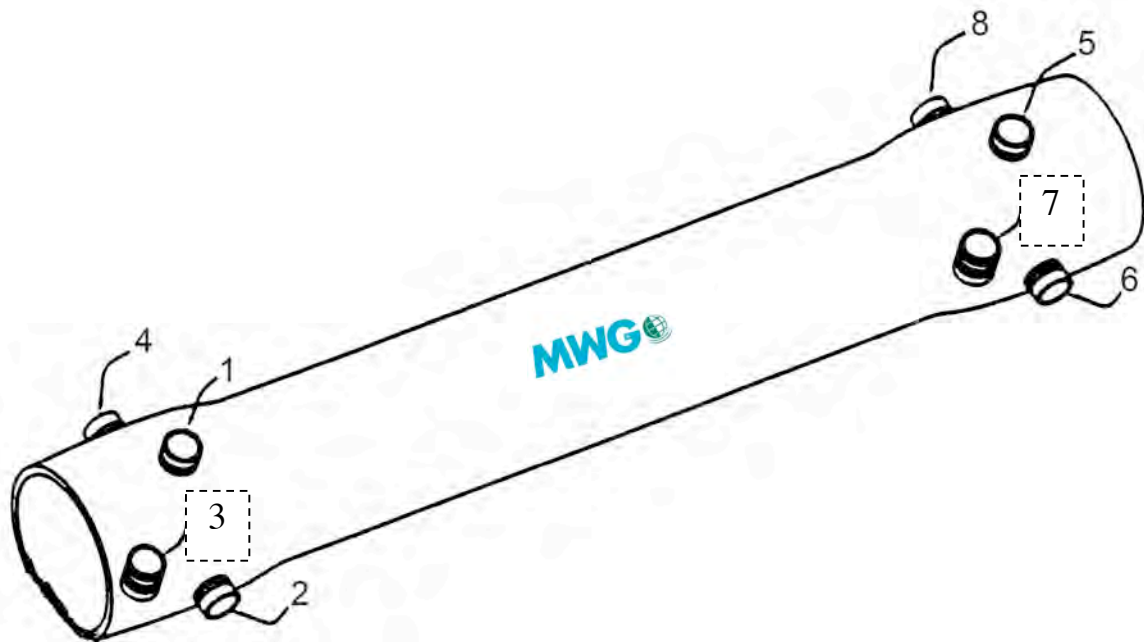
ITEM	REF.	DESCRIPTION	MATERIAL	
1		FEED CONCENTRATE PORT 1,5" VICTAULIC	AISI 316	
2	H8R081	PLUG	ABS	
3	H8R203	LOCKING SEGMENT SCREW	AISI 304	
4	H8R111	PWT SEAL	EPDM	
5	H8R031	SPRING PAD	AISI 304	
6	H8R041	LOCKING SEGMENT	AISI 304	
7		BEARING PLATE	ALUMINUM	
8		RETAINING RING	AISI 304	
9	H8R107	HEAD SEAL	EPDM	
10	H8R109	FEED CONCENTRATE PORT SEAL	EPDM	
11		SEALING PLATE (PERMEATE PORT)	ABS	
12	H8R111	PWT SEAL	EPDM	
13	H8R061	THRUST CONE	ABS	
14 + 16	H8R601	1,125" ADAPTER	ABS	
15	H8R651	1,125" ADAPTER PAD	ABS	
16	H8R113	1,125" ADAPTER O-RING	EPDM	
17	H8R701	HEAD ASSEMBLY END PORT 300 PSI		
	H8R703	HEAD ASSEMBLY END PORT 450 PSI		
NOT SHOWN	H8R001	SADDLE	RUBBER	
NOT SHOWN	H8R005	STRAP (L = 520 mm)	AISI 304 - RUBBER	

# 8" End Port 600-1000-1200 Psi Vessels Spare Parts



ITEM	REF.	DESCRIPTION	MATERIAL	
1	H8R081	PLUG	ABS	
2	H8R203	LOCKING SEGMENT SCREW	AISI 304	
3	H8R031	SPRING PAD	AISI 304	
4	H8R111	PWT SEAL	EPDM	
5		FEED CONC. PORT 1,5" VICTAULIC	SUPER DUPLEX AISI 2507	
8	H8R109	FEED CONCENTRATE PORT SEAL	EPDM	
9		SEALING PLATE (PERMEATE PORT)	ABS	
10	FBEFR11	HEAD SEAL	EPDM	
11	H8R111	PWT SEAL	EPDM	
12	H8R063	THRUST CONE	ABS	
13 + 15	H8R603	1,125" ADAPTER	ABS	
	H8R613	1,5" ADAPTER (OPTIONAL)	ABS	
14	H8R651	1,125" ADAPTER PAD	ABS	
	H8R653	1,5" ADAPTER PAD (OPTIONAL)	ABS	
15	H8R113	1,125" ADAPTER O-RING	EPDM	
	H8R115	1,5" ADAPTER O-RING (OPTIONAL)	EPDM	
16	H8R045	LOCKING KIT (N.3 SEGMENTS)	AISI 304	
18	H8R705	HEAD ASSEMBLY END PORT 600 PSI		
	H8R707	HEAD ASSEMBLY END PORT 1000 PSI		
	H8R709	HEAD ASSEMBLY END PORT 1200 PSI		
NOT SHOWN	H8R001	SADDLE	RUBBER	
NOT SHOWN	H8R009	STRAP (L = 580 mm)	AISI 304 - RUBBER	

## 8" Side Port Vessels Feed/Concentrate Port Options



Each vessel 8" side port can have maximum 3 ports per each end, located in 4 different positions 90° among them. The drawing shows the numbers of different positions.

Each port can have three different dimensions:

- D = 1 ½" (standard connection)
- E = 2"
- F = 2 ½"
- G = 3"

Note: a 2 ½" port is not allowed at 90° from any other.

To determine the required configuration, identify the ports starting from N°1 with relevant dimension, complete this side and identify the opposite end.

Example: vessel with ports 1 & 5 connection 1 ½", ports 2 & 6 connection 2".

The configuration is: 1D 5D 2E 6E

# 8" Side Port Vessels Feed/Concentrate Port Options



## Options for MWG 8" side port vessels

Vessel 8"		Add one extra port			
		1,5"	2"	2,5"	3"
PRESSURE (psi)	MATERIAL				
300	AISI 316				
450	AISI 316				
600	Super Duplex 2507				
1000	Super Duplex 2507				
1200	Super Duplex 2507				

Vessel 8"		UPGRADE from 1,5" port to ...		
		2"	2,5"	3"
PRESSURE (psi)	MATERIAL			
300	AISI 316			
450	AISI 316			
600	Super Duplex 2507			
1000	Super Duplex 2507			
1200	Super Duplex 2507			

## 8" Membrane Vessels Side Port Series 300 S-8



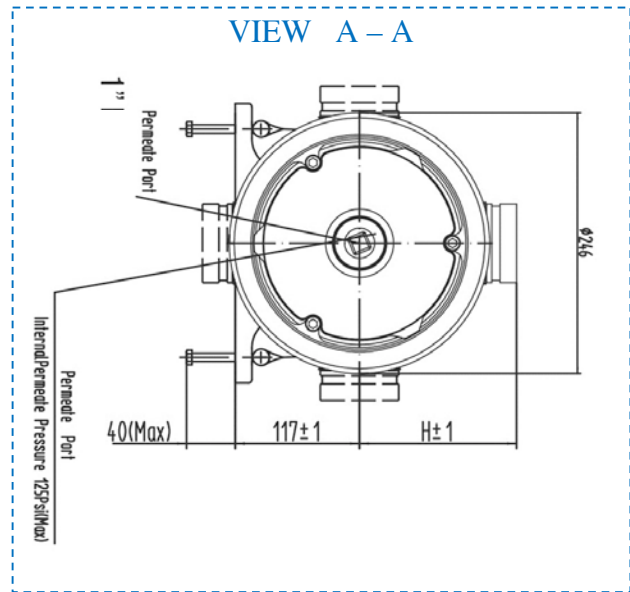
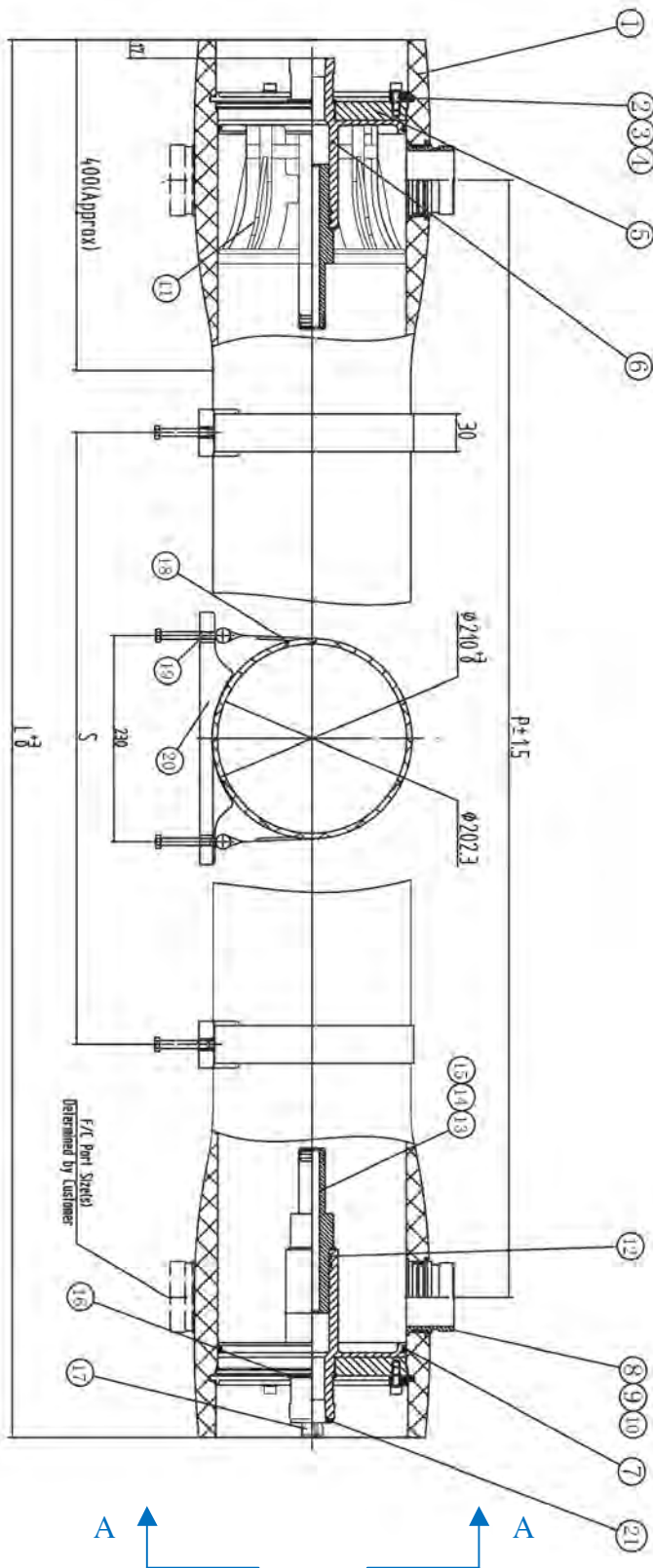
- fiberglass reinforced plastic pressure vessels series 300 S-8, white painted, UVA-ray proof material;
- max operating pressure 300 psi (21 bar);
- European 2014/68/EU Directive compliant for pressure equipment (PED);
- built in accordance with ASME code section X;
- D.M. n.174 dated 06/04/2004 compliant about materials suitable for contact with water for human consumption;
- each vessel is factory tested at 1,5 times max operating pressure;
- feed/concentrate connections 1 ½" or 2" Victaulic (optional 2 ½" or 3");
- permeate connections 1" BSPT F;
- straps and saddles included (n.2 pcs from 1 to 3 elements, n.3 pcs from 4 to 7 elements);
- 1,125" membrane adapters included;
- version from 2 to 7 ports (see list of options).

REF. CONNECTIONS 1 ½" ORIENT. 0°	REF. CONNECTIONS 1 ½" ORIENT. 180°	MODEL	ELEMENTS	L (mm)	P (mm)	S (mm)	
H815B1 (*)	H817B1 (*)	300S-8-1	1 x 40"	1494	1194	700	
H815B2 (*)	H817B2 (*)	300S-8-2	2 x 40"	2510	2210	1460	
H815B3 (*)	H817B3 (*)	300S-8-3	3 x 40"	3526	3226	2080	
H815B4 (*)	H817B4 (*)	300S-8-4	4 x 40"	4542	4242	1600x2	
H815B5 (*)	H817B5 (*)	300S-8-5	5 x 40"	5558	5258	2000x2	
H815B6 (*)	H817B6 (*)	300S-8-6	6 x 40"	6574	6274	2360x2	
H815B7 (*)	H817B7 (*)	300S-8-7	7 x 40"	7590	7290	2860x2	

REF. CONNECTIONS 2" ORIENT. 0°	REF. CONNECTIONS 2" ORIENT. 180°	MODEL	ELEMENTS	L (mm)	P (mm)	S (mm)	
H820B1 (*)	H822B1	300S-8-1	1 x 40"	1494	1194	700	
H820B2 (*)	H822B2	300S-8-2	2 x 40"	2510	2210	1460	
H820B3 (*)	H822B3	300S-8-3	3 x 40"	3526	3226	2080	
H820B4	H822B4 (*)	300S-8-4	4 x 40"	4542	4242	1600x2	
H820B5	H822B5 (*)	300S-8-5	5 x 40"	5558	5258	2000x2	
H820B6	H822B6 (*)	300S-8-6	6 x 40"	6574	6274	2360x2	

(\*) not available in stock – Delivery 8-10 weeks.

# 8" Membrane Vessels Side Port Series 300 S-8



## 8" Membrane Vessels Side Port Series 450 S-8



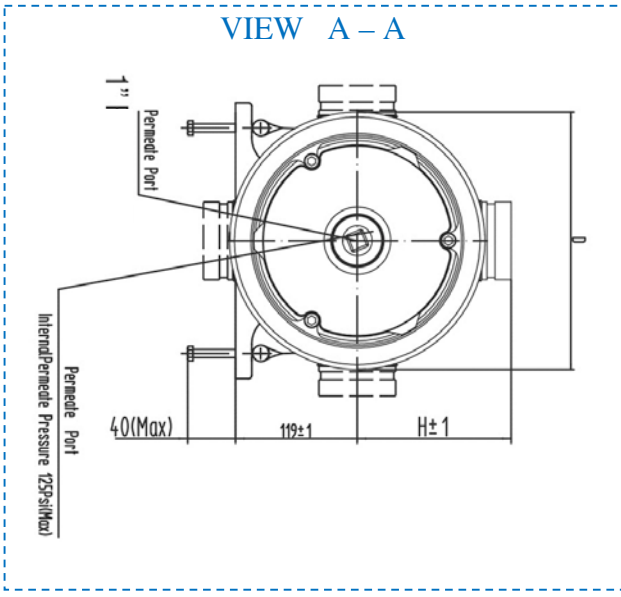
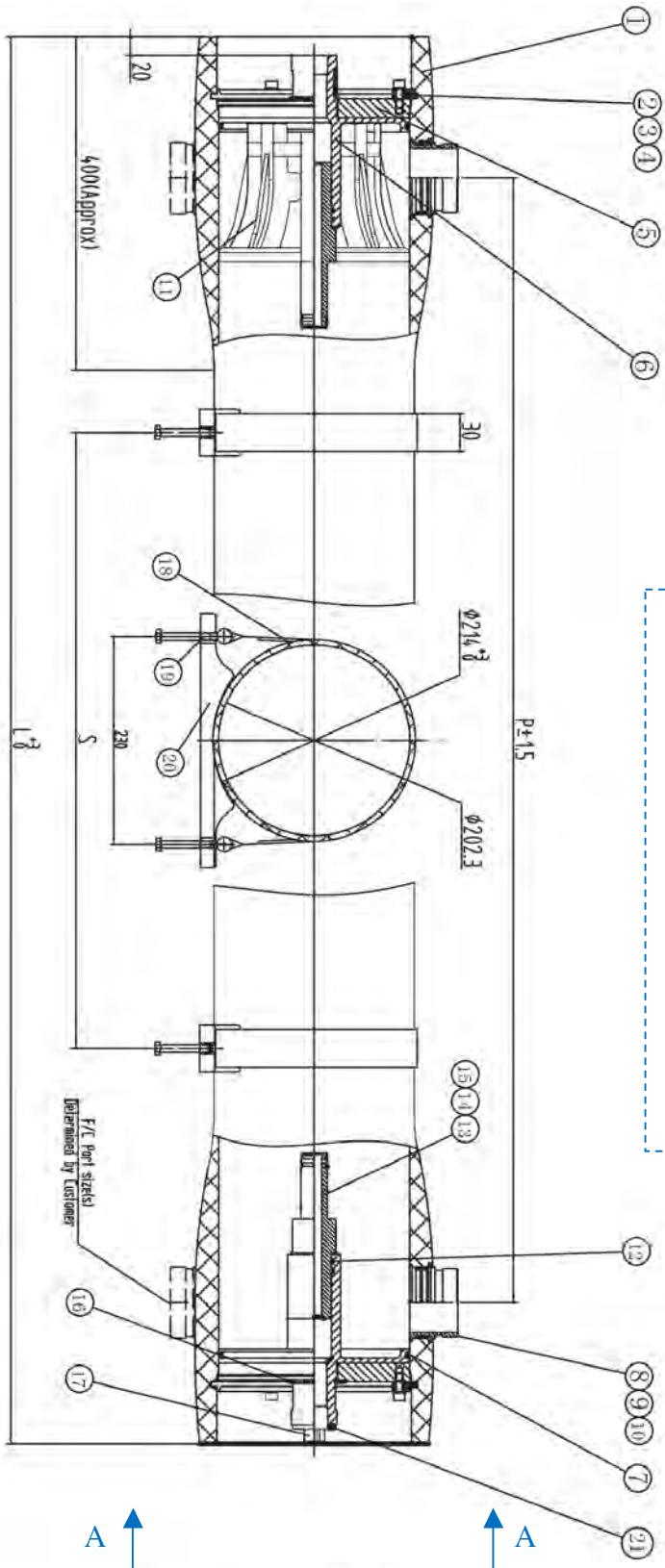
- fiberglass reinforced plastic pressure vessels series 450 S-8, white painted, UVA-ray proof material;
- max operating pressure 450 psi (31 bar);
- European 2014/68/EU Directive compliant for pressure equipment (PED);
- built in accordance with ASME code section X;
- D.M. n.174 dated 06/04/2004 compliant about materials suitable for contact with water for human consumption;
- each vessel is factory tested at 1,5 times max operating pressure;
- feed/concentrate connections 1 ½" Victaulic (optional 2", 2 ½" or 3");
- permeate connections 1" BSPT F;
- straps and saddles included (n.2 pcs from 1 to 3 elements, n.3 pcs from 4 to 7 elements);
- 1,125" membrane adapters included;
- version from 2 to 7 ports (see list of options).

REF. ORIENT. 0°	REF. ORIENT. 180°	MODEL	ELEMENTS	L (mm)	P (mm)	S (mm)	
H815C1 (*)	H817C1 (*)	450S-8-1	1 x 40"	1498	1194	700	
H815C2 (*)	H817C2 (*)	450S-8-2	2 x 40"	2514	2210	1460	
H815C3 (*)	H817C3 (*)	450S-8-3	3 x 40"	3530	3226	2080	
H815C4 (*)	H817C4 (*)	450S-8-4	4 x 40"	4546	4242	1600x2	
H815C5 (*)	H817C5 (*)	450S-8-5	5 x 40"	5562	5258	2000x2	
H815C6 (*)	H817C6 (*)	450S-8-6	6 x 40"	6578	6274	2360x2	
H815C7 (*)	H817C7 (*)	450S-8-7	7 x 40"	7594	7290	2860x2	

(\*) not available in stock – Delivery 8-10 weeks.



# 8" Membrane Vessels Side Port Series 450 S-8



## 8" Membrane Vessels Side Port Series 600 S-8

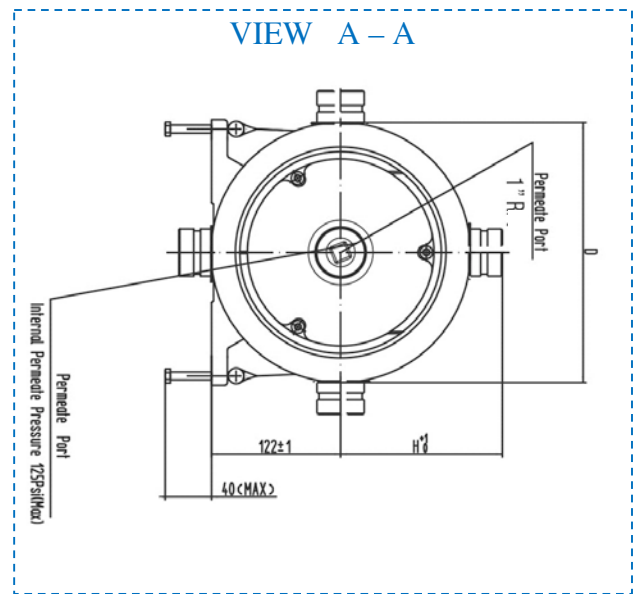
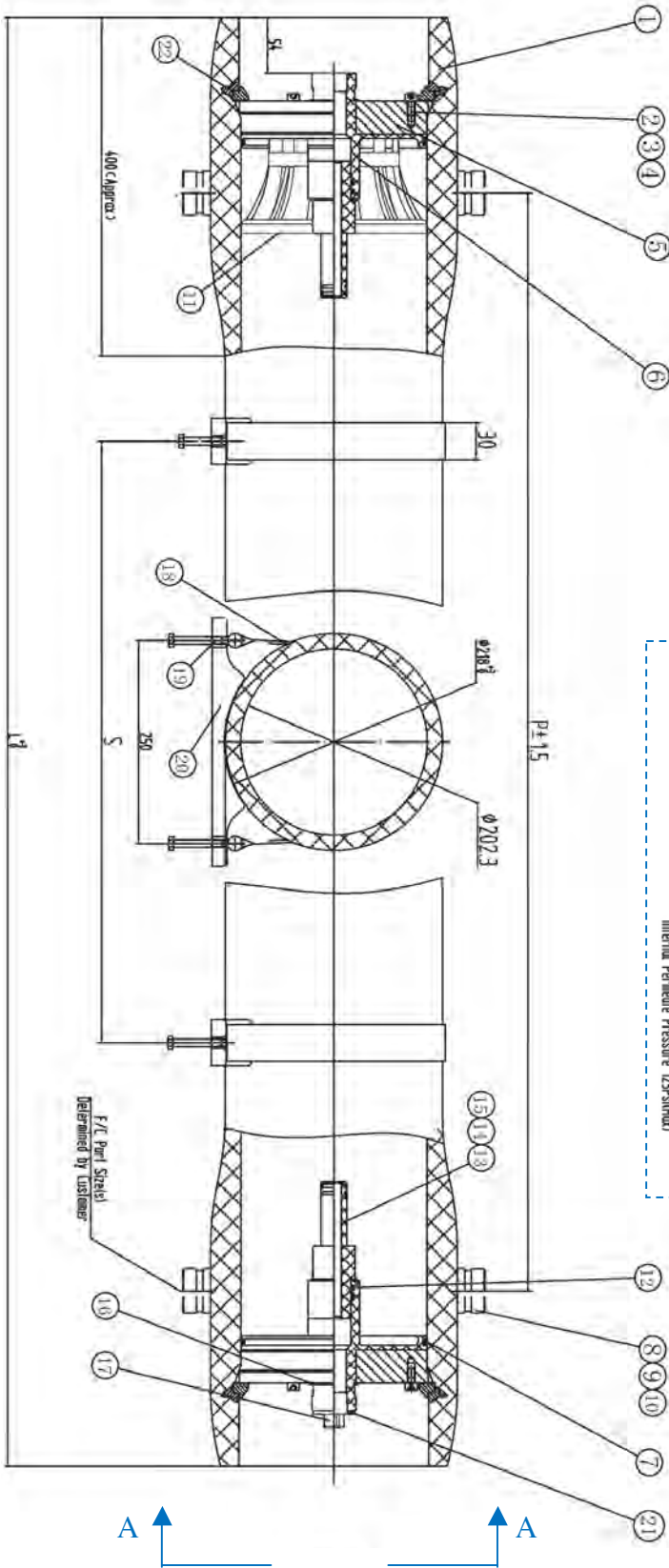


- fiberglass reinforced plastic pressure vessels series 600 S-8, white painted, UVA-ray proof material;
- max operating pressure 600 psi (41 bar);
- European 2014/68/EU Directive compliant for pressure equipment (PED);
- built in accordance with ASME code section X;
- D.M. n.174 dated 06/04/2004 compliant about materials suitable for contact with water for human consumption;
- each vessel is factory tested at 1,5 times max operating pressure;
- feed/concentrate connections 1 ½" Victaulic (optional 2", 2 ½" or 3") in super duplex steel AISI 2507;
- permeate connections 1" BSPT F;
- straps and saddles included (n.2 pcs from 1 to 3 elements, n.3 pcs from 4 to 7 elements);
- 1,125" membrane adapters included;
- version from 2 to 7 ports (see list of options).

REF. ORIENT. 0°	REF. ORIENT. 180°	MODEL	ELEMENTS	L (mm)	P (mm)	S (mm)	
H815D1 (*)	H817D1 (*)	600S-8-1	1 x 40"	1514	1143	700	
H815D2 (*)	H817D2 (*)	600S-8-2	2 x 40"	2530	2159	1460	
H815D3 (*)	H817D3 (*)	600S-8-3	3 x 40"	3546	3175	2080	
H815D4 (*)	H817D4 (*)	600S-8-4	4 x 40"	4562	4191	1600x2	
H815D5 (*)	H817D5 (*)	600S-8-5	5 x 40"	5578	5207	2000x2	
H815D6 (*)	H817D6 (*)	600S-8-6	6 x 40"	6594	6223	2360x2	
H815D7 (*)	H817D7 (*)	600S-8-7	7 x 40"	7610	7239	2860x2	

(\*) not available in stock – Delivery 8-10 weeks.

# 8" Membrane Vessels Side Port Series 600 S-8



## 8" Membrane Vessels Side Port Series 1000 S-8

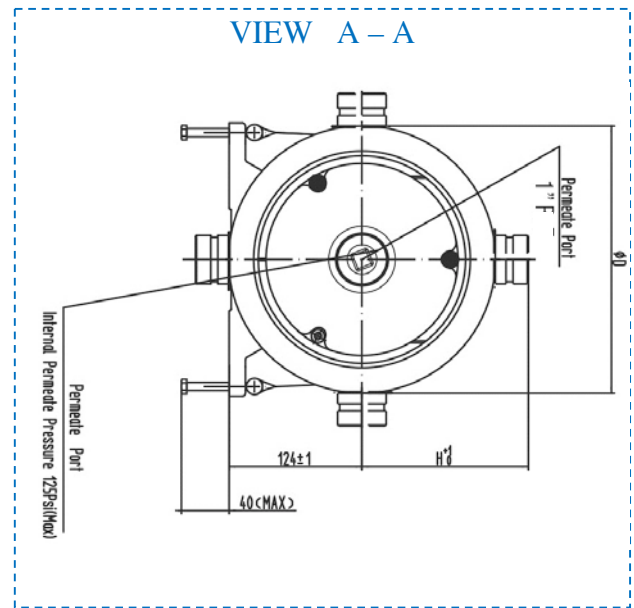
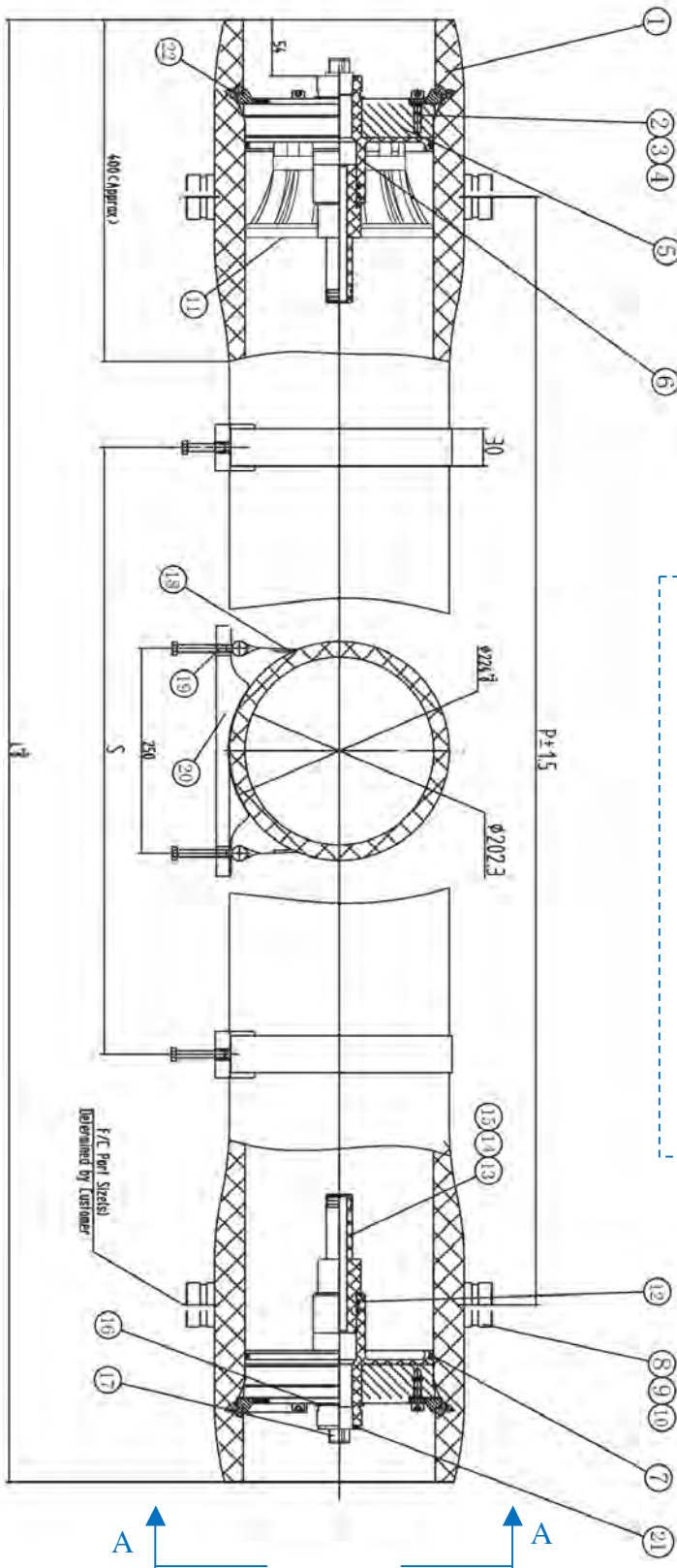


- fiberglass reinforced plastic pressure vessels series 600 S-8, white painted, UVA-ray proof material;
- max operating pressure 600 psi (41 bar);
- European 2014/68/EU Directive compliant for pressure equipment (PED);
- built in accordance with ASME code section X;
- D.M. n.174 dated 06/04/2004 compliant about materials suitable for contact with water for human consumption;
- each vessel is factory tested at 1,5 times max operating pressure;
- feed/concentrate connections 1 ½" Victaulic (optional 2", 2 ½" or 3") in super duplex steel AISI 2507;
- permeate connections 1" BSPT F;
- straps and saddles included (n.2 pcs from 1 to 3 elements, n.3 pcs from 4 to 7 elements);
- 1,125" membrane adapters included;
- version from 2 to 7 ports (see list of options).

REF. ORIENT. 0°	REF. ORIENT. 180°	MODEL	ELEMENTS	L (mm)	P (mm)	S (mm)	
H815G1 (*)	H817G1 (*)	1000S-8-1	1 x 40"	1514	1143	700	
H815G2 (*)	H817G2 (*)	1000S-8-2	2 x 40"	2530	2159	1460	
H815G3 (*)	H817G3 (*)	1000S-8-3	3 x 40"	3546	3175	2080	
H815G4 (*)	H817G4 (*)	1000S-8-4	4 x 40"	4562	4191	1600x2	
H815G5 (*)	H817G5 (*)	1000S-8-5	5 x 40"	5578	5207	2000x2	
H815G6 (*)	H817G6 (*)	1000S-8-6	6 x 40"	6594	6223	2360x2	
H815G7 (*)	H817G7 (*)	1000S-8-7	7 x 40"	7610	7239	2860x2	

(\*) not available in stock – Delivery 8-10 weeks.

# 8" Membrane Vessels Side Port Series 1000 S-8



## 8" Membrane Vessels Side Port Series 1200 S-8

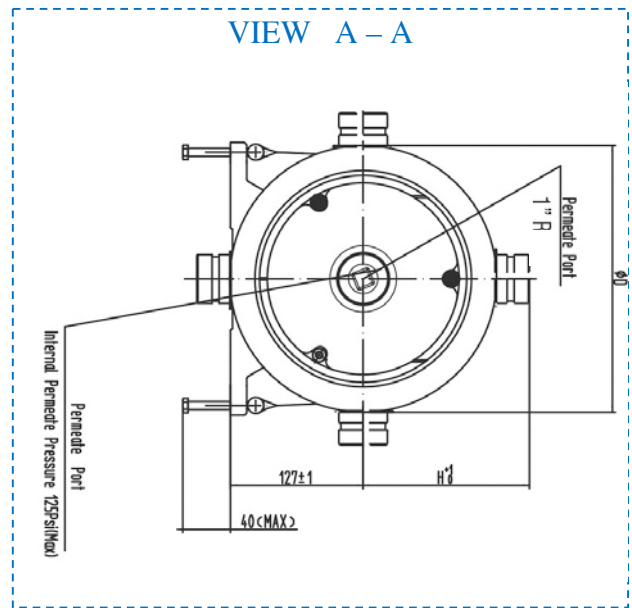
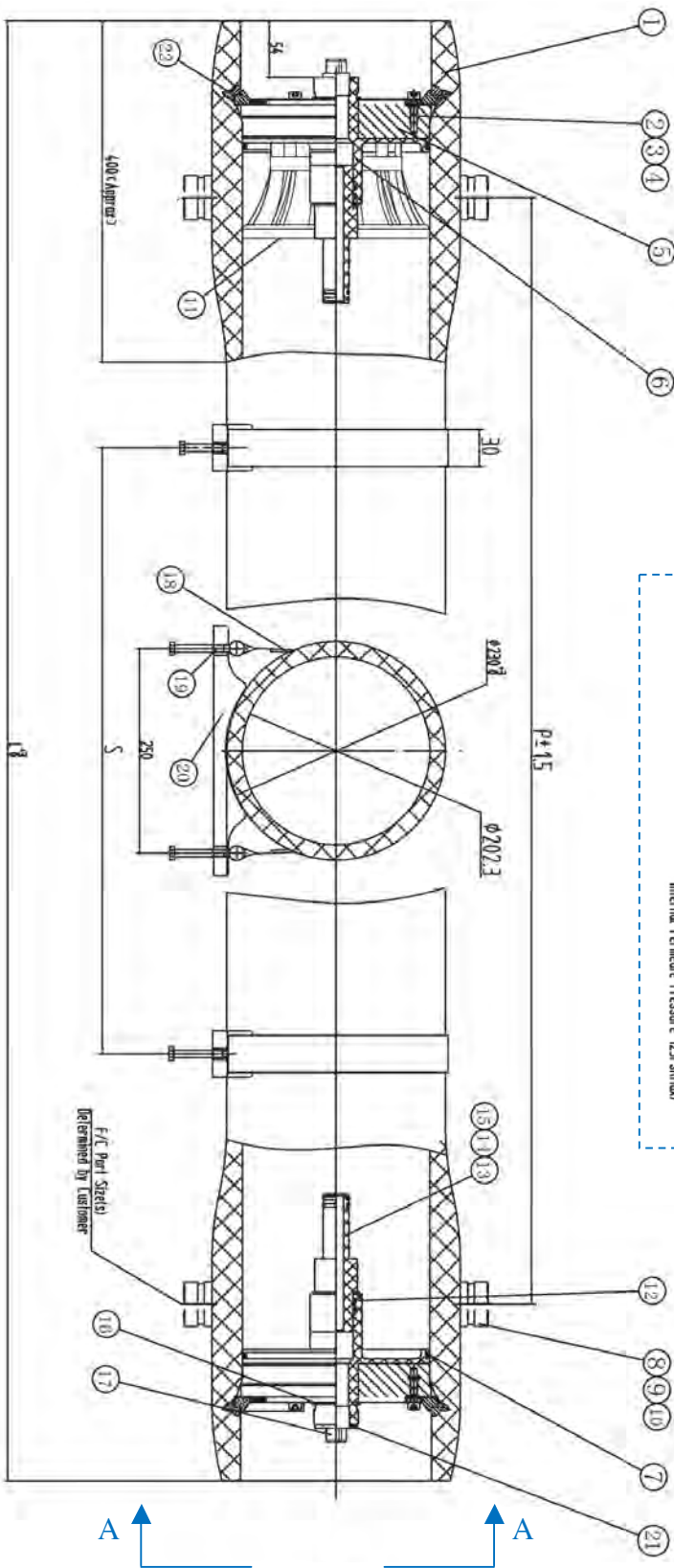


- fiberglass reinforced plastic pressure vessels series 1200 S-8, white painted, UVA-ray proof material;
- max operating pressure 1200 psi (83 bar);
- European 2014/68/EU Directive compliant for pressure equipment (PED);
- built in accordance with ASME code section X;
- D.M. n.174 dated 06/04/2004 compliant about materials suitable for contact with water for human consumption;
- each vessel is factory tested at 1,5 times max operating pressure;
- feed/concentrate connections 1 ½" Victaulic (optional 2", 2 ½" or 3") in super duplex steel AISI 2507;
- permeate connections 1" BSPT F;
- straps and saddles included (n.2 pcs from 1 to 3 elements, n.3 pcs from 4 to 7 elements);
- 1,125" membrane adapters included;
- version from 2 to 7 ports (see list of options).

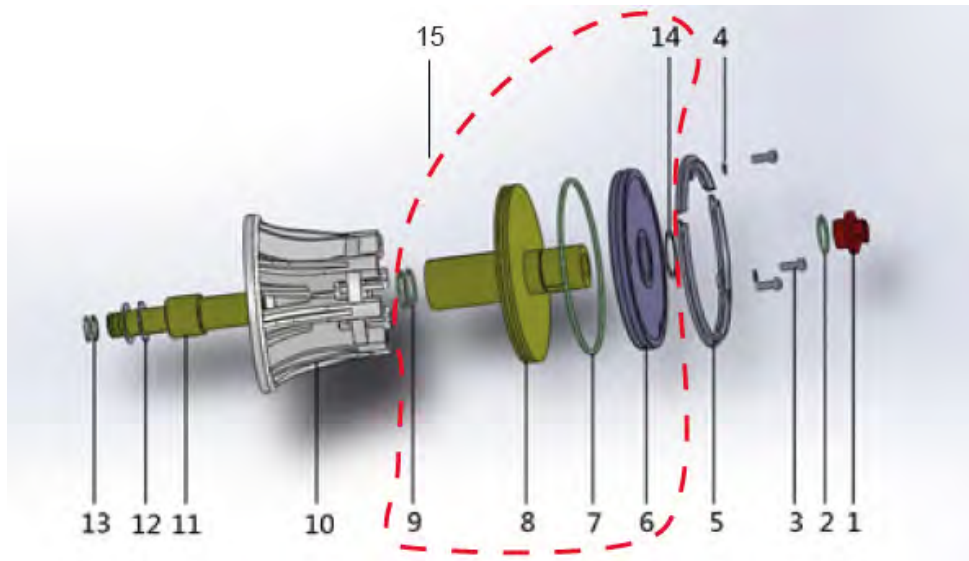
REF. ORIENT. 0°	REF. ORIENT. 180°	MODEL	ELEMENTS	L (mm)	P (mm)	S (mm)	
H815H1 (*)	H817H1 (*)	1200S-8-1	1 x 40"	1514	1143	700	
H815H2 (*)	H817H2 (*)	1200S-8-2	2 x 40"	2530	2159	1460	
H815H3 (*)	H817H3 (*)	1200S-8-3	3 x 40"	3546	3175	2080	
H815H4 (*)	H817H4 (*)	1200S-8-4	4 x 40"	4562	4191	1600x2	
H815H5 (*)	H817H5 (*)	1200S-8-5	5 x 40"	5578	5207	2000x2	
H815H6 (*)	H817H6 (*)	1200S-8-6	6 x 40"	6594	6223	2360x2	
H815H7 (*)	H817H7 (*)	1200S-8-7	7 x 40"	7610	7239	2860x2	

(\*) not available in stock – Delivery 8-10 weeks.

# 8" Membrane Vessels Side Port Series 1200 S-8



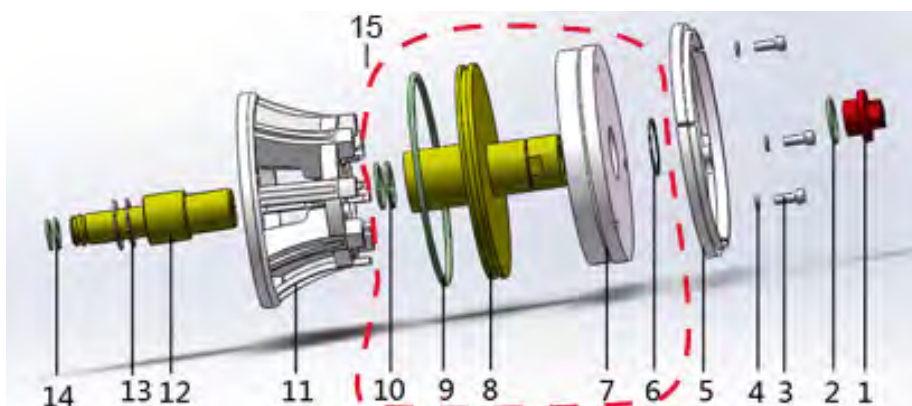
# 8" Side Port 300-450 Psi Vessels Spare Parts



ITEM	REF.	DESCRIPTION	MATERIAL	
1	H8R081	PLUG	ABS	
2	H8R111	PWT SEAL	EPDM	
3	H8R203	LOCKING SEGMENT SCREW	AISI 304	
4	H8R031	SPRING PAD	AISI 304	
5	H8R041	LOCKING SEGMENT	AISI 304	
7	H8R107	HEAD SEAL	EPDM	
9	H8R111	PWT SEAL	EPDM	
10	H8R071	THRUST CONE	ABS	
11 + 13	H8R601	1,125" ADAPTER	ABS	
	H8R611	1,5" ADAPTER (OPTIONAL)	ABS	
12	H8R651	1,125" ADAPTER PAD	ABS	
	H8R653	1,5" ADAPTER PAD (OPTIONAL)	ABS	
13	H8R113	1,125" ADAPTER O-RING	EPDM	
	H8R115	1,5" ADAPTER O-RING (OPTIONAL)	EPDM	
15	H8R711	HEAD ASSEMBLY SIDE PORT 300 PSI		
	H8R713	HEAD ASSEMBLY SIDE PORT 450 PSI		
NOT SHOWN	H8R001	SADDLE	RUBBER	
NOT SHOWN	H8R005	STRAP (L = 520 mm)	AISI 304 - RUBBER	



# 8" Side Port 600-1000-1200 Psi Vessels Spare Parts

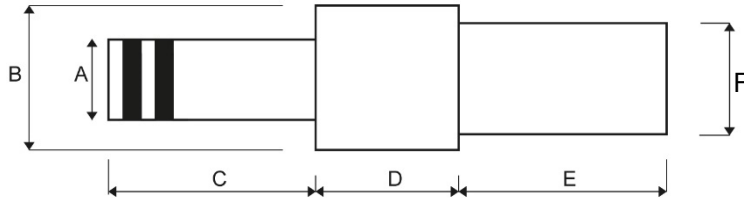


ITEM	REF.	DESCRIPTION	MATERIAL	
1	H8R081	PLUG	ABS	
2	H8R111	PWT SEAL	EPDM	
3	H8R203	LOCKING SEGMENT SCREW	AISI 304	
4	H8R031	SPRING PAD	AISI 304	
5	H8R045	LOCKING KIT (N.3 SEGMENTS)	AISI 304	
8		SEALING PLATE (PERMEATE PORT)	ABS	
9	FBEFR11	HEAD SEAL	EPDM	
10	H8R111	PWT SEAL	EPDM	
11	H8R073	THRUST CONE	ABS	
12 + 14	H8R603	1,125" ADAPTER	ABS	
	H8R613	1,5" ADAPTER (OPTIONAL)	ABS	
13	H8R651	1,125" ADAPTER PAD	ABS	
	H8R653	1,5" ADAPTER PAD (OPTIONAL)	ABS	
14	H8R113	1,125" ADAPTER O-RING	EPDM	
	H8R115	1,5" ADAPTER O-RING (OPTIONAL)	EPDM	
15	H8R715	HEAD ASSEMBLY SIDE PORT 600 PSI		
	H8R717	HEAD ASSEMBLY SIDE PORT 1000 PSI		
	H8R719	HEAD ASSEMBLY SIDE PORT 1200 PSI		
NOT SHOWN	H8R001	SADDLE	RUBBER	
NOT SHOWN	H8R009	STRAP (L = 580 mm)	AISI 304 - RUBBER	

# 8" Membrane Adapters

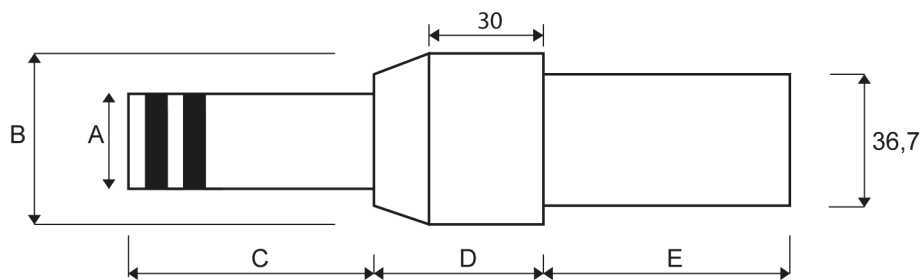


- suitable for 8" membranes;
- material PVC complete with o-rings.



REF.	MATE-RIAL	A *	B *	C *	D *	E *	F *	FOR MEMBR.	FOR VESSEL	REF. O-RING
H8R601	ABS	28,3 (1,125")	46	70	38	70	36,5	BW30-400 or similar	MWG	H8R113
H8R611	ABS	38 (1,5")	50	70	36	70	36,55	BW30LE440 or similar	MWG	H8R115
H8R603	ABS	28,3 (1,125")	46	70	38	53	36,5	BW30-400 or similar	MWG	H8R113
H8R613	ABS	38 (1,5")	50	70	36	53	36,55	BW30LE440 or similar	MWG	H8R115
EA340	ABS	28,5 (1,125")	48	65	45	67	36,7	BW30-400 or similar	Wave Cyber	EA354
EA341	ABS	38 (1,5")	58	50	45	67	36,7	BW30LE440 or similar	Wave Cyber	EA355
EA025	PVC	28,5 (1,125")	48	65	27	73	36,7	BW30-400 or similar	Codeline Style	EA354

\* Dimensions: mm (inch)



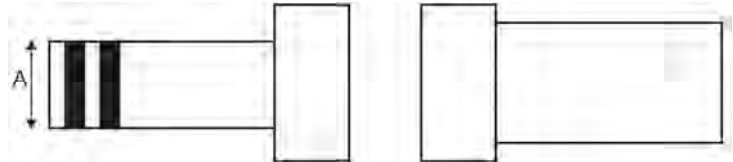
REF.	MATE-RIAL	A *	B *	C *	D *	E *	FOR MEMBR.	FOR VESSEL	REF. O-RING
EA023	PVC	28,5 (1,125")	50	73	50	64	BW30-400 or similar	Bekaert Style	EA354

\* Dimensions: mm (inch)



## Blank Adapter Kit

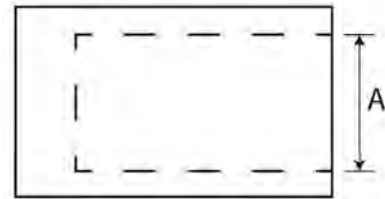
- suitable for 8" membranes;
- material PVC complete with o-rings.



REF.		A (mm)	A (inch)	FOR MEMBRANE	FOR VESSEL	O-RING REF.
EA026		28,5	1,125"	BW30-400 or similar	Wave Cyber	EA264
EA026A		28,5	1,125"	BW30-400 or similar	MWG	EA264

## Blank Adapter

- Material PVC.

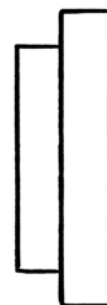


REF.		A (mm)	A (inch)	FOR MEMBRANE
EA028		28,5	1,125"	BW30-400 or similar

## Closure disc for permeate connection for 8" vessels

- material PVC.

REF.	
EA350	





## Cast Iron Victaulic Style Couplings – 1000 Psi

- complete with gaskets;
- max operating pressure 1000 psi (69 bar).

REF.	NOMINAL DIAMETER (inch)	NOMINAL DIAMETER (mm)	
EA030	1"	33,4	
EA032	1 ¼"	42,2	
EA031	1 ½"	48,3	
EA033	2"	60,3	
EA034	2 ½"	73,0	
EA035	3"	88,9	



## Aisi 304 Victaulic Style Couplings – 1200 Psi

- complete with gaskets;
- max operating pressure 1200 psi (83 bar).

REF.	NOMINAL DIAMETER (inch)	NOMINAL DIAMETER (mm)	
EA190	¾"	26,7	
EA191	1"	33,4	
EA192	1 ¼"	42,2	
EA193	1 ½"	48,3	
EA194	2"	60,3	
EA195	2 ½"	73,0	
EA196	3"	88,9	



## Aisi 304 Victaulic Style Couplings – 350 Psi

- complete with gaskets;
- max operating pressure 1350 psi (23 bar).

REF.	NOMINAL DIAMETER (inch)	NOMINAL DIAMETER (mm)	
EA070	¾"	26,7	
EA071	1"	33,4	
EA072	1 ¼"	42,2	
EA073	1 ½"	48,3	
EA074	2"	60,3	
EA075A	2 ½"	73,0	
EA075	3" O. D.	76,1	
EA076	3"	88,9	



# Victaulic Style Couplings



## Nylon Victaulic Style Couplings – 300 psi

- Complete with gaskets in EPDM;
- Max operating pressure 300 psi (21 bar).

REF.	FOR OUR STUB PIPES	NOMINAL DIAMETER (inch)	NOMINAL DIAMETER (mm)	
EA550	-----	1"	33,4	
EA551	EA601	1 ¼"	42,2	
EA552	EA602	1 ½"	48,3	
EA553	EA603	2"	60,3	
EA554	EA604	2 ½"	73,0	
EA555	EA605	3"	88,9	
EA556	EA606	4"	114,3	



## Nylon Victaulic Style Couplings – 150 psi

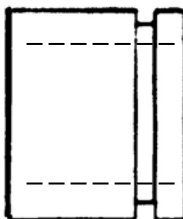
- Complete with gaskets in EPDM;
- Max operating pressure 150 psi (10 bar).

REF.	NOMINAL DIAMETER (inch)	NOMINAL DIAMETER (mm)	
EA557	6"	168,3	
EA558	8"	219,1	



## Stub Pipes to Weld

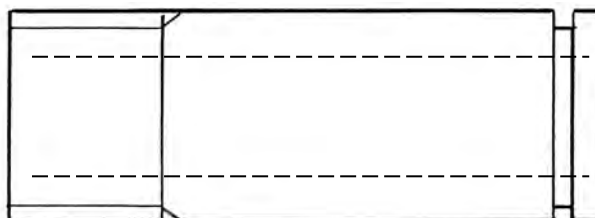
- stub pipe with end part to weld;
- material AISI 316.



REF.	ANSI B36.10 SCHEDULE	DIAMETER (inch)	DIAMETER (mm)	LENGTH (mm)	
EA080	40	¾"	26,7	40	
EA081	40	1"	33,4	40	
EA082	40	1 ¼"	42,2	50	
EA083	40	1 ½"	48,3	60	
EA084	40	2"	60,3	80	
EA085A	40	2 ½"	73,0	90	
EA086	40	3"	88,9	100	

## Threaded Stub Pipes

- stub pipe with end part threaded;
- material AISI 316.

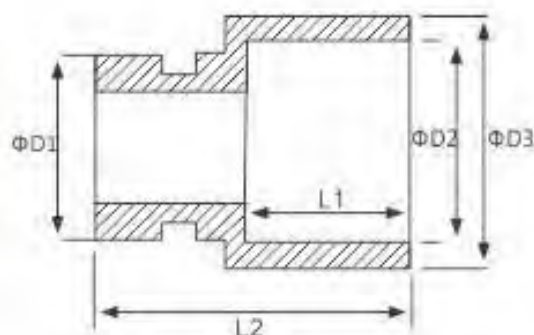


REF.	DIAMETER (inch)	LENGTH (mm)	
EA050	¾" BSPP male	65	
EA051	1" BSPP male	65	
EA052	1 ¼" BSPP male	80	
EA053	1 ½" BSPP male	100	
EA054	2" BSPP male	100	
EA055	2 ½" BSPP male (external diameter 76,1 mm)	100	



## Stub Pipes to Glue

- Stub pipes with end part to glue and the other end part for Victaulic Style couplings;
- In PVC-U.



REF.	FOR OUR VICTAULIC STYLE COUPLINGS	D1 (mm)	D2 (mm)	D3 (mm)	L1 (mm)	L2 (mm)	
EA601	EA551	42	32	40	22	64	
EA602	EA552	48	50	60	31	66	
EA603	EA553	60	63	74	38	76	
EA604	EA554	73	75	87	43	79	
EA605	EA555	89	90	104	51	85	
EA606	EA556	114	110	125	61	96	

# R.O.PLUS Electric Control Panel for R.O. Systems



- With double conductivity meter (feed and permeate);
- In this way you can:
  - Command the high pressure pump and the two solenoid valves for feed interception and flushing;
  - Manage and program the most common measurement and signal instruments installed on the system, with highly flexible ways of working;
  - Manage and setting the automatic cleaning system;
- Conform to CE Directives;
- Microprocessor;
- LCD display 2 x 16 digit;
- Power supply 230VAC 50-60Hz;
- Available in ABS box with protection class IP65 (ref. DG101 and ref. DG103) or Rack version (ref. DG101R and ref. DG103R);
- Supplied without conductivity probes.

## Operated functions:

- High pressure pump (max power 736 W);
- Feed electric valve;
- Fluxing electric valve;
- Cleaning electric valve;
- Pump for antiscaling.

## Conductivity meter:

RO PLUS is available in the following 2 versions  
(supplied without conductivity probes)

**VERSION 1 : RO PLUS LC** (ref. **DG101** ABS box IP65  
and ref. **DG101R** Rack version)

With conductivity meter for feed  $000 \div 9,99$  mS/cm  
and conductivity meter for  $00,0 \div 99,9$   $\mu$ S/cm

Warning: with this model you must use one Inox probe  
K=1 (ref. **DG121**) for the feed and one Inox probe K=0.1 for  
the out let (ref. **DG122**), to buy separately.

**VERSION 2 : RO PLUS HC** (ref. **DG103** ABS box IP65  
and ref. **DG103R** Rack version)

With conductivity meter for feed  $00,0 \div 9,99$  mS/cm  
and conductivity meter for  $00,0 \div 999$   $\mu$ S/cm

Warning: with this model you must use n.2 graphite  
probes K=1 (ref. **DG123**), one for the feed and one for the  
out let, to buy separately.

The version is displayed turning on the instrument.



ABS box IP65

Rack version

Height 180 mm  
Width 220 mm  
Depth 80 mm





# R.O.PLUS Electric Control Panel for R.O. Systems



## External input receivable:

- Low permeate storage tank level;
- High permeate storage tank level;
- Minimum pressure meter;
- Maximum pressure meter;
- Pretreatment (filter or softener) in service;
- Heat pump;
- Failed dosage alarm;
- Stand-by.

## Alarms:

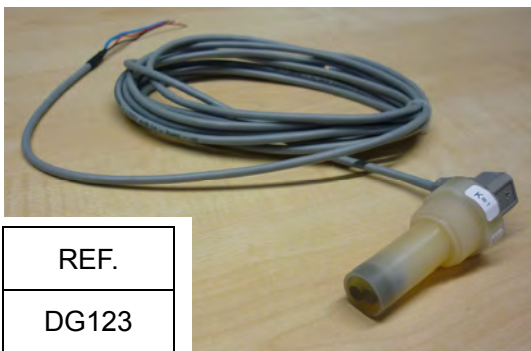
- High conductivity;
- Low pressure;
- High pressure;
- Heat pump;
- HIGH LOW CONTACT.



REF.
DG121



REF.
DG122



REF.
DG123

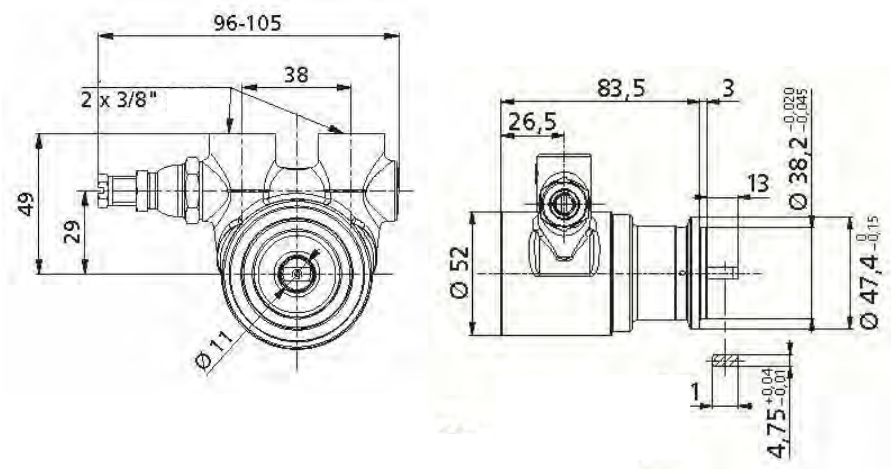
REF.	DESCRIPTION	
DG101	RO PLUS LC	
DG103	RO PLUS HC	
DG101R	RO PLUS LC Rack	
DG103R	RO PLUS HC Rack	
DG121	Inox probe K=1, 3/4" connection	
DG122	Inox probe K=0.1, 3/4" connection	
DG123	Graphite probe K=1, 3/4" connection	

# In-Out 3/8" Rotary Pumps for R.O.

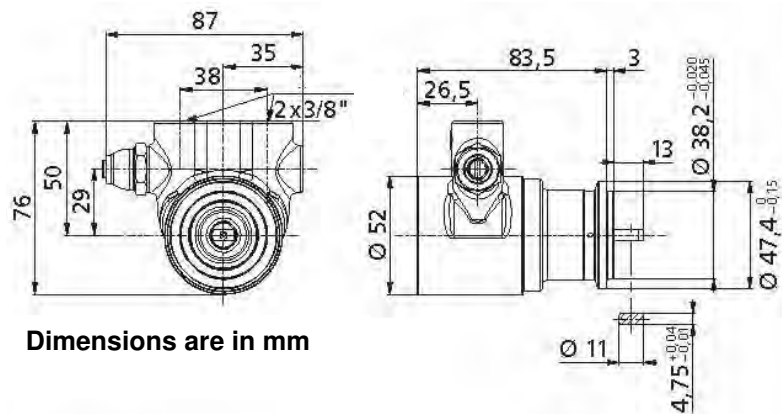


- rotary vane pumps for R.O. systems, direct connection V-band clamp to motor;
- housing material brass or AISI 303, security by-pass on show models;
- IN-OUT connections 3/8" F BSPT (or NPT on demand).

## Brass Pumps



## Aisi 303 Pumps



## In-Out 3/8" Rotary Pumps for R.O.



REF.	MODEL	CONNECTIONS	BY-PASS	MATERIAL	FLOW (**) @ 7 bar (l/h)	FLOW (**) @ 14 bar (l/h)	
DE804A	RO 50 OT	BSPT	w/ By-Pass	Brass	65	55	
DE805A	RO 150 OT	BSPT	w/ By-Pass	Brass	165	150	
DE806A	RO 200 OT	BSPT	w/ By-Pass	Brass	225	206	
DE807A	RO 300 OT	BSPT	w/ By-Pass	Brass	334	315	
DE808A	RO 400 OT	BSPT	w/ By-Pass	Brass	434	415	
DE827A	RO 300 AISI	BSPT	w/ By-Pass	AISI 303	334	315	
DE828A	RO 400 AISI	BSPT	w/ By-Pass	AISI 303	434	415	
DE811A	RO 200 OT	BSPT	w/o By-Pass	Brass	225	206	
DE812A	RO 300 OT	BSPT	w/o By-Pass	Brass	334	315	
DE813A	RO 400 OT	BSPT	w/o By-Pass	Brass	434	415	
DE832A	RO 300 AISI	BSPT	w/o By-Pass	AISI 303	334	315	
DE833A	RO 400 AISI	BSPT	w/o By-Pass	AISI 303	434	415	
DE804 (*)	RO 50 OT	NPT	w/ By-Pass	Brass	65	55	
DE805 (*)	RO 150 OT	NPT	w/ By-Pass	Brass	165	150	
DE806 (*)	RO 200 OT	NPT	w/ By-Pass	Brass	225	206	
DE807 (*)	RO 300 OT	NPT	w/ By-Pass	Brass	334	315	
DE808 (*)	RO 400 OT	NPT	w/ By-Pass	Brass	434	415	
DE827 (*)	RO 300 AISI	NPT	w/ By-Pass	AISI 303	334	315	
DE828 (*)	RO 400 AISI	NPT	w/ By-Pass	AISI 303	434	415	
DE811 (*)	RO 200 OT	NPT	w/o By-Pass	Brass	225	206	
DE812 (*)	RO 300 OT	NPT	w/o By-Pass	Brass	334	315	
DE813 (*)	RO 400 OT	NPT	w/o By-Pass	Brass	434	415	
DE832 (*)	RO 300 AISI	NPT	w/o By-Pass	AISI 303	334	315	
DE833 (*)	RO 400 AISI	NPT	w/o By-Pass	AISI 303	434	415	

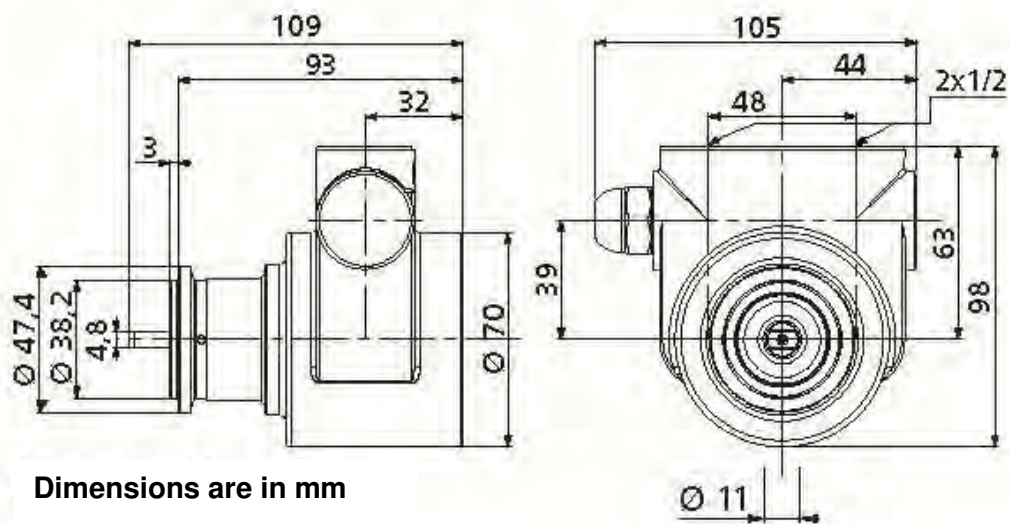
(\*) not available in stock.

(\*\*) average flow rate with motor 1.450 rpm.

## In-Out 1/2" Rotary Pumps for R.O.



- rotary vane pumps for R.O. systems, direct connection V-band clamp to motor;
- housing material brass or AISI 303;
- IN-OUT Gas connections 1/2" F BSPT (or NPT on demand).



# In-Out 1/2" Rotary Pumps for R.O.



REF.	MODEL	CONNECTIONS	BY-PASS	MATERIAL	FLOW (**) @ 7 bar (l/h)	FLOW (**) @ 14 bar (l/h)	
DE809A	RO 600 OT	BSPT	w/ By-Pass	Brass	620	597	
DE810A	RO 800 OT	BSPT	w/ By-Pass	Brass	820	797	
DE814A	RO 1000 OT	BSPT	w/ By-Pass	Brass	1020	997	
DE817A	RO 600 OT	BSPT	w/o By-Pass	Brass	620	597	
DE818A	RO 800 OT	BSPT	w/o By-Pass	Brass	820	797	
DE819A	RO 1000 OT	BSPT	w/o By-Pass	Brass	1020	997	
DE801A	RO 600 AISI	BSPT	w/ By-Pass	AISI 303	620	597	
DE802A	RO 800 AISI	BSPT	w/ By-Pass	AISI 303	820	797	
DE803A	RO 1000 AISI	BSPT	w/ By-Pass	AISI 303	1020	997	
DE837A	RO 600 AISI	BSPT	w/o By-Pass	AISI 303	620	597	
DE838A	RO 800 AISI	BSPT	w/o By-Pass	AISI 303	820	797	
DE839A	RO 1000 AISI	BSPT	w/o By-Pass	AISI 303	1020	997	
DE809 (*)	RO 600 OT	NPT	w/ By-Pass	Brass	620	597	
DE810 (*)	RO 800 OT	NPT	w/ By-Pass	Brass	820	797	
DE814 (*)	RO 1000 OT	NPT	w/ By-Pass	Brass	1020	997	
DE817 (*)	RO 600 OT	NPT	w/o By-Pass	Brass	620	597	
DE818 (*)	RO 800 OT	NPT	w/o By-Pass	Brass	820	797	
DE819 (*)	RO 1000 OT	NPT	w/o By-Pass	Brass	1020	997	
DE801 (*)	RO 600 AISI	NPT	w/ By-Pass	AISI 303	620	597	
DE802 (*)	RO 800 AISI	NPT	w/ By-Pass	AISI 303	820	797	
DE803 (*)	RO 1000 AISI	NPT	w/ By-Pass	AISI 303	1020	997	
DE837 (*)	RO 600 AISI	NPT	w/o By-Pass	AISI 303	620	597	
DE838 (*)	RO 800 AISI	NPT	w/o By-Pass	AISI 303	820	797	
DE839 (*)	RO 1000 AISI	NPT	w/o By-Pass	AISI 303	1020	997	

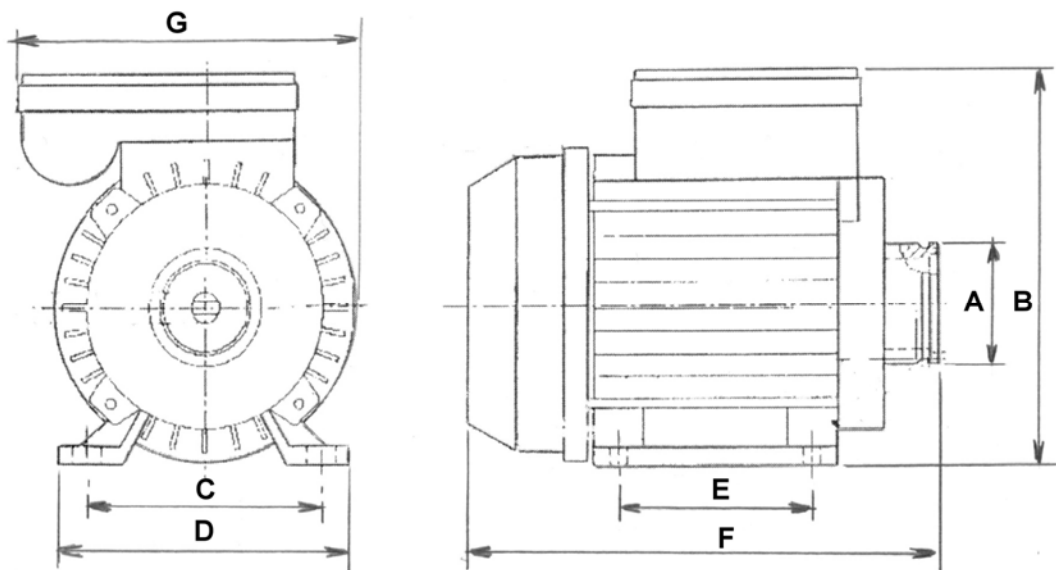
(\*) not available in stock.

(\*\*) average flow rate with motor 1.450 rpm.

## Motors for Rotary Pumps for R.O. 200-300



- single phase motors direct connections for rotary vane pumps;
- power supply 220V – 50 Hz;
- protection class IP44;
- complete with thermic protection.



REF.	A (mm)	B (mm)	C (mm)	D (mm)	E (mm)	F (mm)	G (mm)
DE850	47	156	97	120	80	200	138

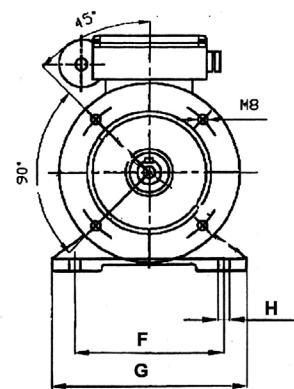
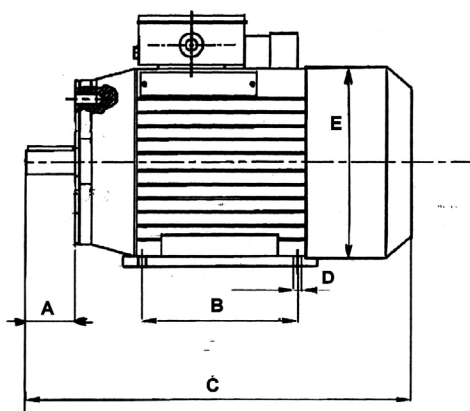
REF.	POWER (W)	ELECTR. INPUT (A)	RPM	FOR PUMPS
DE850	300	1,6	1.300	RO 200 RO 300



# Motors for Rotary Pumps for R.O. 300-400-600-800-1000



- range of single and three phase motors for application with rotary vane pumps, using coupling and adapter;
- 4 poles motor, power supply 220V – 50 Hz single phase, 380V – 50 Hz three phase;
- protection class IP55;
- for couplings and adapters see 06-04-08-EN data sheet.



REF.	A (mm)	B (mm)	C (mm)	D (mm)	E (mm)	F (mm)	G (mm)	H (mm)
0,5 CV	30	90	222	7	141	112	142	10
0,75 CV	40	100	255	10	157	125	160	13
1 CV	40	100	255	10	157	125	160	13

REF.	DE860	DE861	DE862	DE863	DE864	DE865
MODEL	0,5 CV-M71-MONO	0,75 CV-M80-MONO	1 CV-M80-MONO	0,5 CV-M71-TRI	0,75 CV-M80-TRI	1 CV-M80-TRI
POWER (CV)	0,5	0,75	1	0,5	0,75	1
POWER (W)	370	550	750	370	550	750
ELECTR. INPUT (A)	3,1	3,9	5,6	2,2	2,8	3,5
RPM	1360	1360	1370	1360	1360	1360
SINGLE PHASE/ THREE PHASE	SINGLE PHASE	SINGLE PHASE	SINGLE PHASE	THREE PHASE	THREE PHASE	THREE PHASE
FOR PUMP	RO 300 RO 400	RO 600 RO 800	RO 1000	RO 300 RO 400	RO 600 RO 800	RO 1000
ADAPTER REF	DE871	DE873	DE873	DE871	DE873	DE873
COUPLING REF.	DE872	DE874	DE874	DE872	DE874	DE874

**NOTE:** It's absolutely necessary to provide an adequate electric protection to avoid further overloaded.

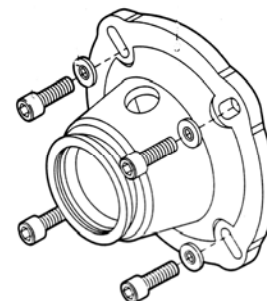


# Adapter Couplings and Adapters for Rotary Pumps Models R.O. 300-400-600-800-1000

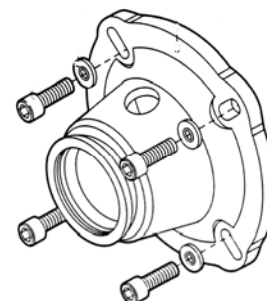


- for relative motors coupling see 06-04-07-EN data sheet.

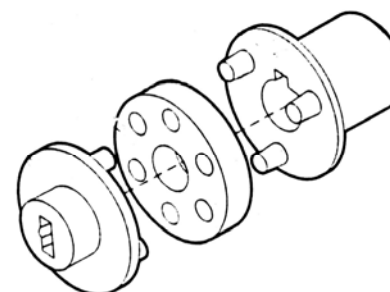
REF.	DESCRIPTION	
DE871	Adapter M71	



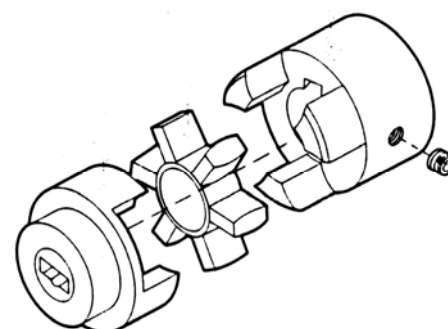
REF.	DESCRIPTION	
DE873	Adapter M80	



REF.	DESCRIPTION	
DE872	Coupling M71	



REF.	DESCRIPTION	
DE874	Coupling M80	



# Flowmeters



- Flowmeters (the reading is taken in correspondence with the top edge of the float) with wide range of measuring scale and of end connections ( d20 ÷ d75 ), good level of accuracy with simple operation and very limited maintenance;
- Standard fluid = water;
- Measuring tube in transparent PVC-U, Float in PP and O-ring in EPDM;
- Isolating or control valves may be mounted both upstream or downstream the flowmeter;
- Maximum working pressure with water up to 25°C = 10 bar;
- Maximum working pressure with water up to 60°C = 1,5 bar
- Temperature range = 5 ÷ 60°C.



FCIV

d	B	C	E
20	208	176	170
25	229	191	185
32	250	206	200

FSIV

d	B	C	E
40	408	356	350
63	432	356	350
75	444	356	350



REF.	MODEL	MEASURING RANGE (L/H)	CONNECTION	
DG030	FCIV	20 ÷ 200	d20	
DG032	FCIV	30 ÷ 350	d25	
DG034	FCIV	60 ÷ 600	d32	
DG036	FCIV	100 ÷ 1.000	d32	
DG038	FSIV	160 ÷ 1.600	d40	
DG040	FSIV	200 ÷ 2.500	d40	
DG042	FSIV	350 ÷ 3.500	d63	
DG044	FSIV	500 ÷ 5.000	d63	
DG046	FSIV	1.000 ÷ 8.000	d75	
DG048	FSIV	1.000 ÷ 10.000	d75	
DG050	FSIV	5.000 ÷ 25.000	d75	



## ACCESSORIES:

- Threaded connections not included, to order separately;
- Material not available in stock.

REF.	DESCRIPTION	FOR FLOWMETER	
DG061	BFV THREADED COUPLING BSP 1/2" PVC-U	DG030	
DG063	BFV THREADED COUPLING BSP 3/4" PVC-U	DG032	
DG065	BFV THREADED COUPLING BSP 1" PVC-U	DG034 – DG036	
DG067	BFV THREADED COUPLING BSP 1 1/4" PVC-U	DG038 – DG040	
DG069	BFV THREADED COUPLING BSP 2" PVC-U	DG042 – DG044	
DG071	BFV THREADED COUPLING BSP 2 1/2" PVC-U	DG046 – DG048 –DG050	

## Accessories and Spare Parts 2,5" WAVE CYBER Vessels



REF.	DESCRIPTION	
DE510	Plastic clip for 2,5" vessels	
DE420	Baffle 300 psi	
DE421	Head 300 psi	
DE422	Head seal	
DE423	Allen screw	
DE424	Baffle 1000 psi	
DE425	Head 1000 psi	

## Accessories and Spare Parts 4" WAVE CYBER Vessels



REF.	DESCRIPTION	
DE610	Saddle and strap assembly	
DE613	Baffle	
DE614	Head 1/2" BSPP (300 psi) PP/FG	
DE618	Head 3/4" BSPP (300 psi) PP/FG	
DE614A	Head 1/2" BSPP (450 psi) nylon	
DE618A	Head 3/4" BSPP (450 psi) nylon	
DE615	Head seal	
DE616	Adapter seal	
DE617	Allen screw	

## Spare Parts for 8" End Port WAVE CYBER Vessels



REF.	DESCRIPTION	
EA392	Head Assembly H "E Series" 250-300 psi p/n 70531	
EA393	Head Assembly H "E Series" 400-450 psi p/n 70532	
EA394	Head Assembly H "E Series" 600 psi p/n 70533	
EA395	Head Assembly H "E Series" 1000-1200 psi p/n 70534	
EA371	Three-turn locking ring 150-600 psi	
EA371A	Three-turn locking ring 1000-1200 psi	
EA372	Permeate port retaining ring	
EA375	Bearing plate 300 psi	
EA376	Bearing plate 400-450 psi	
EA377	Bearing plate 600 psi	
EA378	Bearing plate 1000 psi	
EA358	Head seal	
EA367	Permeate port H 300 psi	
EA368	Permeate port H 400-450 psi	
EA369	Permeate port H 600 psi	
EA370	Permeate port H 1000 psi	
EA356	PWT seal	
EA365	Thrust cone	
EA361	Feed / concentrate port 300 psi	
EA362	Feed / concentrate port 400-450 psi	
EA363	Feed / concentrate port 600 psi	
EA364	Feed / concentrate port 1000 psi	
EA379	Retaining ring 300 psi	
EA380	Retaining ring 400-450 psi	
EA381	Retaining ring 600 psi	
EA382	Retaining ring 1000 psi	
EA357	Feed / concentrate port seal	
EA373	Strap	
EA374	Saddle	
EA347	Permeate nut 1 1/2" G	
EA348	Permeate adapter D32 to glue	
EA351	Permeate port H o-ring	
EA351A	Permeate port H flat gasket	

## Spare Parts for 8" Side Port WAVE CYBER Vessels



REF.	DESCRIPTION	
EA492	Head Assembly H –“P Series” 300 psi p/n 70525	
EA493	Head Assembly H –“P Series” 450 psi p/n 70526	
EA494	Head Assembly H –“P Series” 600 psi p/n 70527	
EA495	Head Assembly H –“P Series” 1000 psi p/n 70528	
EA496	Head Assembly H –“P Series” 1200 psi p/n 70529	
EA371	Three-turn locking ring 150-600 psi	
EA371A	Three-turn locking ring 1000-1200 psi	
EA372	Permeate port retaining ring	
EA471	Bearing plate 300 psi	
EA472	Bearing plate 450 psi	
EA473	Bearing plate 600 psi	
EA474	Bearing plate 1000 psi	
EA476	Permeate port H 300 psi	
EA477	Permeate port H 450 psi	
EA478	Permeate port H 600 psi	
EA479	Permeate port H 1000 psi	
EA358	Head seal	
EA356	PWT seal	
EA480	Thrust cone	
EA373	Strap	
EA374	Saddle	
EA347	Permeate nut 1 ½" G	
EA348	Permeate adapter D32 to glue	
EA351	Permeate port H o-ring	
EA351A	Permeate port H flat gasket	

## PL Series Metering Pumps Horizontal Mounting



- PL series metering pumps horizontal mounting;
- Constant or proportional feeding, with pulse multiplier or pulse divider, dosage based on a mA signal or a digital signal (from 1 pulse/minute at 180 pulses/minute);
- Microprocessor technology;
- Manual stroke length adjustment;
- Body pump's in PVDF (and o-rings in VITON) or PP (and o-rings in EPDM), with manual venting;
- Black enclosure in PP material;
- Protection class IP65;
- Audible noise 73,4 dB(A);
- Environment temperature 10 ÷ 45°C;
- Chemical temperature 0 ÷ 50°C;
- Power supply 230Vac 50/60hz with European transformer;
- Each pump is shipped with a Kit Assembly, delayed fuse, level probe with axial foot filter (PVDF), 5 bar injection valve (PVDF), PVDF delivery hose (length 2 m), PVC suction hose (length 2 m), discharge hose (length 2 m), input signal cable (length 2,5 m);
- Conform with CE safety Directives;
- D.M. n.174 dated 06/04/2004 compliant about materials suitable for contact with water for human consumption;
- Available also the self-venting version (see the following table).

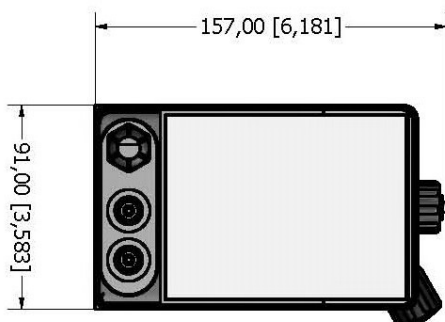
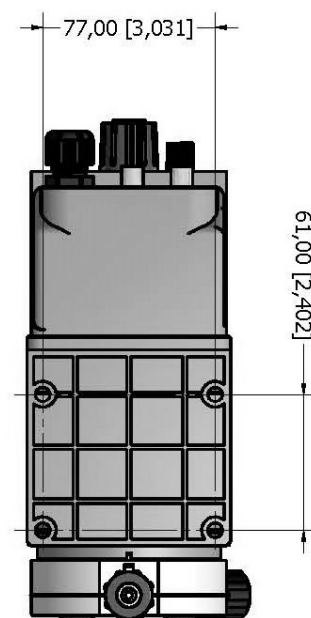
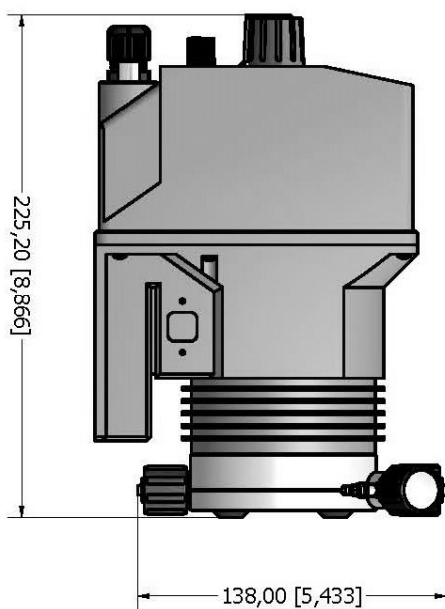
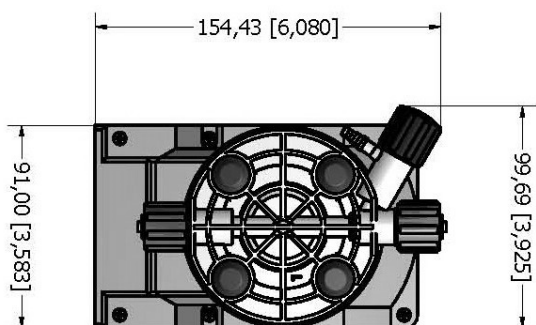


REF.	FLOW RATE	SELF-VENTING VERSION	PUMP HEAD	O-RING	
DG299	1 l/h at 18 bar	YES	PVDF	VITON	
DG300	2 l/h at 18 bar	NO	PVDF	VITON	
DG300A (*)	2 l/h at 18 bar	NO	PP	EPDM	
DG303	5,5 l/h at 8 bar	YES	PVDF	VITON	
DG304	8 l/h at 8 bar	NO	PVDF	VITON	
DG304A (*)	8 l/h at 8 bar	NO	PP	EPDM	

(\*) suitable for alkaline liquid chemicals;  
not available in stock – Delivery 3 weeks.



# PL Series Metering Pumps Horizontal Mounting



Dimensions are in mm [inches]



## MF Series Metering Pumps Horizontal Mounting

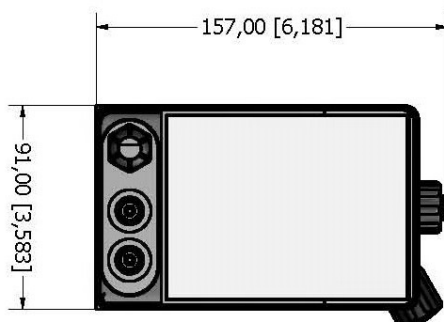
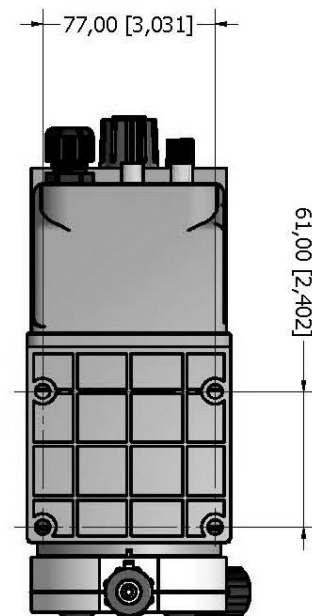
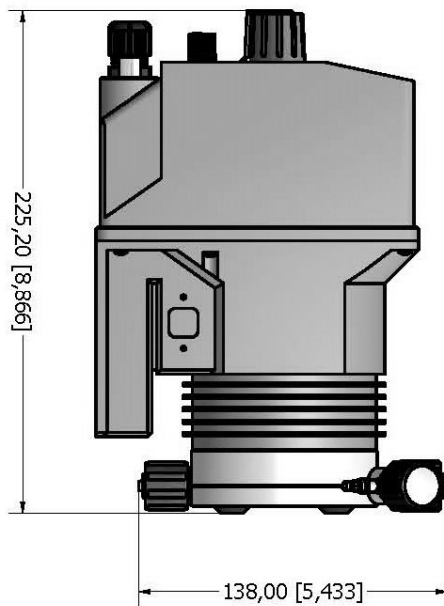
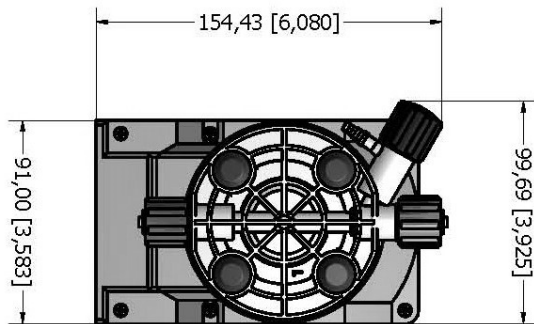


- MF series metering digital pumps horizontal mounting;
- Microprocessor technology (Constant, Divide, Multiply, PPM, Batch, Volt, mA, %, MLQ), stand-by and flow sensor input, alarm output and level control. Recovery fault mode, work-pause mode and upkeep mode (from 1 pulse/minute at 180 pulses/minute);
- Body pump's in PVDF (and o-rings in VITON) or PP (and o-rings in EPDM), with manual venting;
- Black enclosure in PP material, protection class IP65;
- Audible noise 73,4 dB(A);
- Environment temperature 10 ÷ 45°C, chemical temperature 0 ÷ 50°C;
- Power supply 230Vac 50/60hz with European transformer;
- Each pump is shipped with a Kit Assembly, delayed fuse, level probe with axial foot filter (PVDF), 5 bar injection valve (PVDF), PVDF delivery hose (length 2 m), PVC suction hose (length 2 m), discharge hose (length 2 m), input signal cable (length 2,5 m);
- Conform with CE safety Directives;
- D.M. n.174 dated 06/04/2004 compliant about materials suitable for contact with water for human consumption;
- Available also the self-venting version (see the following table).

REF.	FLOW RATE	SELF-VENTING VERSION	PUMP HEAD	O-RING	
DG309	1 l/h at 18 bar	YES	PVDF	VITON	
DG310	2 l/h at 18 bar	NO	PVDF	VITON	
DG310A (*)	2 l/h at 18 bar	NO	PP	EPDM	
DG313	5,5 l/h at 8 bar	YES	PVDF	VITON	
DG314	8 l/h at 8 bar	NO	PVDF	VITON	
DG314A (*)	8 l/h at 8 bar	NO	PP	EPDM	

(\*) suitable for alkaline liquid chemicals;  
not available in stock – Delivery 3 weeks.

# MF Series Metering Pumps Horizontal Mounting



Dimensions are in mm [inches]



# MF Series Metering Pumps Vertical Mounting



- MF series metering digital pumps vertical mounting;
- Microprocessor technology (Constant, Divide, Multiply, PPM, Batch, Volt, mA, %, ml/q), with level control. Recovery fault mode, work-pause mode and upkeep mode (from 1 pulse/hour at 180 pulses/minute);
- Body pump's in PVDF (and o-rings in VITON) or PP (and o-rings in EPDM), with manual venting;
- Black enclosure in PP material;
- Protection class IP65;
- Audible noise 70,4 dB(A);
- Environment temperature 10 ÷ 45°C;
- Chemical temperature 0 ÷ 50°C;
- Power supply 230Vac 50/60hz with European transformer;
- Each pump is shipped with a Kit Assembly, delayed fuse, level probe with axial foot filter (PVDF), 5 bar injection valve (PVDF), PVDF delivery hose (length 2 m), PVC suction hose (length 2 m), discharge hose (length 2 m), input signal cable (length 2,5 m);
- Conform with CE safety Directives;
- D.M. n.174 dated 06/04/2004 compliant about materials suitable for contact with water for human consumption;
- Available also the self-venting version (see the following table).



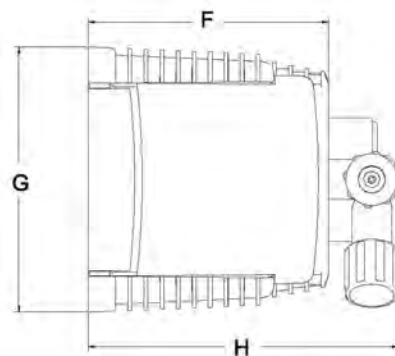
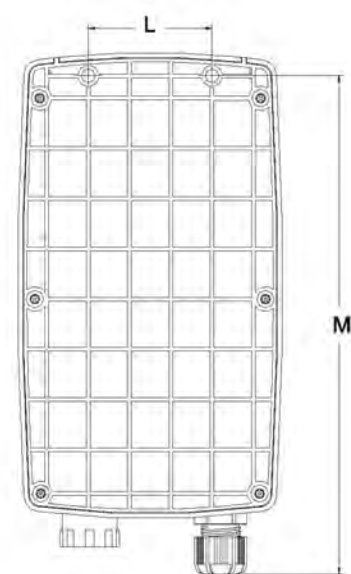
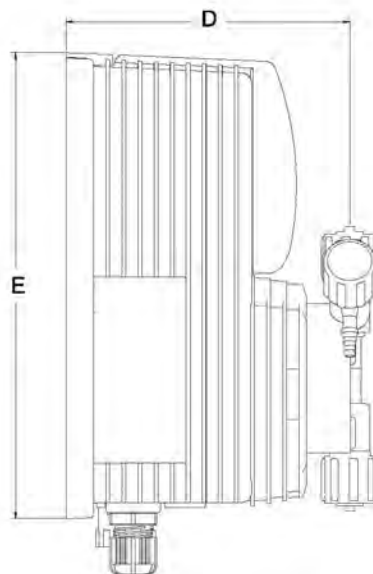
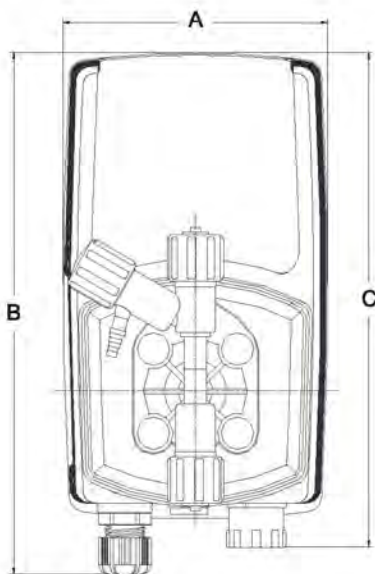
REF.	FLOW RATE	SELF-VENTING VERSION	PUMP HEAD	O-RING	
DG319	1 l/h at 15 bar	YES	PVDF	VITON	
DG320	2 l/h at 15 bar	NO	PVDF	VITON	
DG320A (*)	2 l/h at 15 bar	NO	PP	EPDM	
DG323	4 l/h at 7 bar	YES	PVDF	VITON	
DG324	6 l/h at 7 bar	NO	PVDF	VITON	
DG324A (*)	6 l/h at 7 bar	NO	PP	EPDM	

(\*) suitable for alkaline liquid chemicals;  
not available in stock – Delivery 3 weeks.

# MF Series Metering Pumps Vertical Mounting



DIMENSIONI		
	<i>mm</i>	<i>inches</i>
<i>A</i>	106.96	4.21
<i>B</i>	210.44	8.28
<i>C</i>	199.44	7.85
<i>D</i>	114.50	4.50
<i>E</i>	187.96	7.40
<i>F</i>	97.00	3.81
<i>G</i>	106.96	4.21
<i>H</i>	125.47	4.93
<i>L</i>	50.00	1.96
<i>M</i>	201.00	7.91



## CL Series Metering Pumps Vertical Mounting



- CL series metering pumps vertical mounting;
- Microprocessor technology; constant pump with level control, flow rate control and 0-10% divider (from 1 pulse/minute at 180 pulses/minute);
- Body pump's in PVDF (and o-rings in VITON) or PP (and o-rings in EPDM), with manual venting;
- Black enclosure in PP material;
- Protection class IP65;
- Audible noise 74 dB(A);
- Environment temperature 10 ÷ 45°C;
- Chemical temperature 0 ÷ 50°C;
- Power supply 230Vac 50/60hz with European transformer;
- Each pump is shipped with a Kit Assembly, delayed fuse, level probe with axial foot filter (PVDF), 5 bar injection valve (PVDF), PVDF delivery hose (length 2 m), PVC suction hose (length 2 m), discharge hose (length 2 m), input signal cable (length 2,5 m);
- Conform with CE safety Directives;
- D.M. n.174 dated 06/04/2004 compliant about materials suitable for contact with water for human consumption;
- Available also the self-venting version (see the following table).



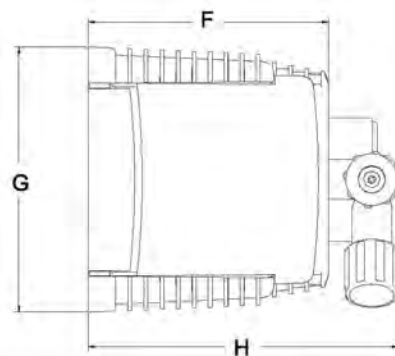
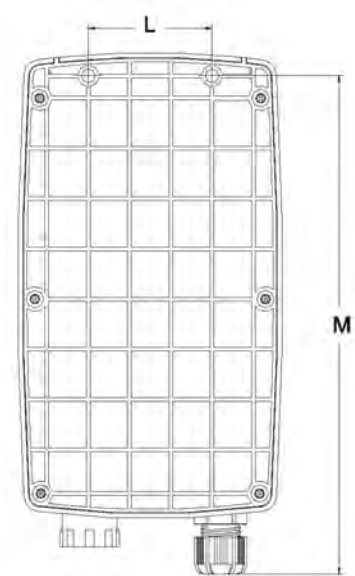
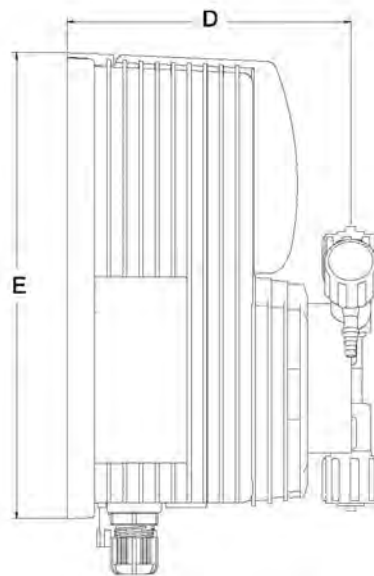
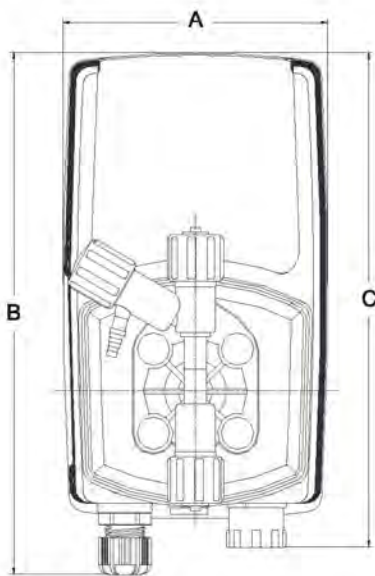
REF.	FLOW RATE	SELF-VENTING VERSION	PUMP HEAD	O-RING	
DG329	1 l/h at 15 bar	YES	PVDF	VITON	
DG330	2 l/h at 15 bar	NO	PVDF	VITON	
DG330A (*)	2 l/h at 15 bar	NO	PP	EPDM	
DG333	4 l/h at 7 bar	YES	PVDF	VITON	
DG334	6 l/h at 7 bar	NO	PVDF	VITON	
DG334A (*)	6 l/h at 7 bar	NO	PP	EPDM	

(\*) suitable for alkaline liquid chemicals;  
not available in stock – Delivery 3 weeks.

# CL Series Metering Pumps Vertical Mounting



DIMENSIONI		
	<i>mm</i>	<i>inches</i>
<i>A</i>	106.96	4.21
<i>B</i>	210.44	8.28
<i>C</i>	199.44	7.85
<i>D</i>	114.50	4.50
<i>E</i>	187.96	7.40
<i>F</i>	97.00	3.81
<i>G</i>	106.96	4.21
<i>H</i>	125.47	4.93
<i>L</i>	50.00	1.96
<i>M</i>	201.00	7.91





## SPARE PARTS

REF.	DESCRIPTION	
DG452	5 m delivery hose in PVDF 6x4	
DG453	100 m hose in PVC 6x4	
DG454	100 m hose in PE 6x4	
DG460	Kit Assembly for pumps horizontal mounting, o-ring in VITON	
DG461	Kit Assembly for pumps horizontal mounting, o-ring in EPDM	
DG462	Kit Assembly for pumps vertical mounting, o-ring in VITON	
DG463	Kit Assembly for pumps vertical mounting, o-ring in EPDM	





## STATIC MIXERS

- PVC-U static mixer filled with PP mixing elements;
- With injection valve 1/2" - 4x6 0,3 bar.



REF.	INSPECTIONABLE	FITTING	
DG470	YES	1 ¼"	
DG471	NOT	D40	
DG472	YES	1 ½"	
DG473	YES	2"	

## ACCESSORIE

REF.	DESCRIPTION	
DG450	Fixing bracket for vertical pumps	



## TURBINE PULSE EMITTER WATER METER

- Threaded pulse emitter water meter for cold and hot water, single (mod. 15 - 20 - 25 - 30 - 40) and multiple (mod. 50) jet counter with wet or dry dial;
- Thread sizes range: from ½” to 2”;
- Brass case and head (except for 50 mm 2” model with cast iron case and head);
- Range temperature = 4 ÷ 30°C;
- Max operating pressure = 16 bar;
- Constant K = 4 pulses/liter;
- 2m cable length (RG58), equipped with BNC connector;
- Reed contact with 10<sup>9</sup> closing operations;
- Max voltage 250 VAC, 200 VDC;
- Max current 1 A;
- Max power 10 VA.



REF.	GAUGE (mm)	GAUGE (inches)	WITH DIAL ...	
DG480	15	½	WET	
DG481	20	¾	WET	
DG482	25	1	WET	
DG483	30	1 ¼	WET	
DG484	40	1 ½	WET	
DG485	50	2	WET	
DG490 (*)	15	½	DRY	
DG491 (*)	20	¾	DRY	
DG492 (*)	25	1	DRY	
DG493 (*)	30	1 ¼	DRY	
DG494 (*)	40	1 ½	DRY	
DG495 (*)	50	2	DRY	

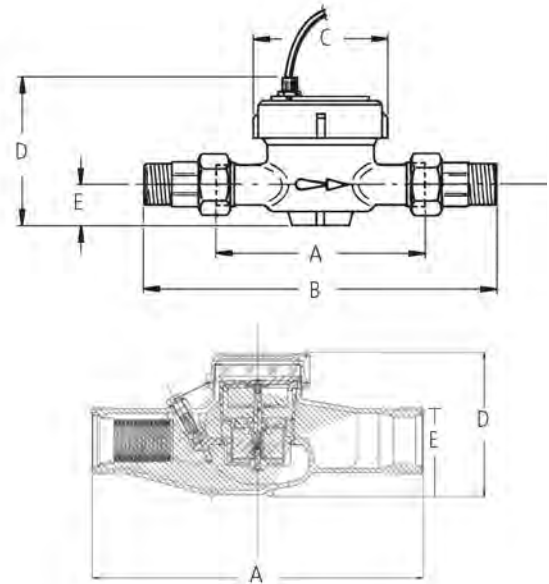
(\*) not available in stock – Delivery 3 weeks.



## TURBINE PULSE EMITTER WATER METER

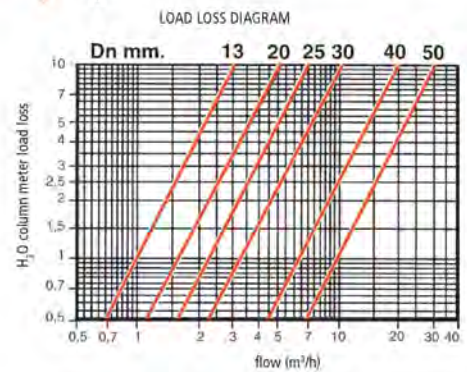
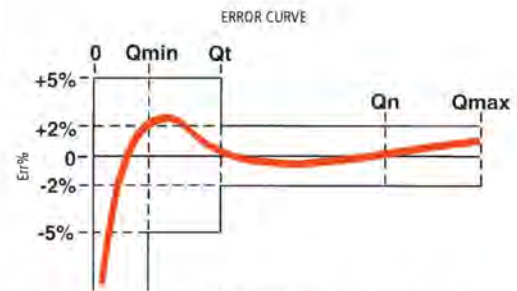
### DIMENSIONS

Gauge	mm inch	15 1/2	20 3/4	25 1	30 1.1/4	40 1.1/2	50 2
Length without hose fittings	A mm	110	130	160	160	200	300
Length with hose fittings	B mm	190	228	260	280	340	460
Width	C mm	80	80	100	100	110	108
Height	D mm	110	110	132	132	137	130.5
Height from hose	E mm	24	24	34	34	42	50.5
Weight with hose fitting	Kg	0,850	1,100	1,750	2,000	3,460	-
CEE approval number		B93 320 01	B93 320 02	B97 320 03	B97 320 04	B99 320 11	B02 320 13



### FEATURES

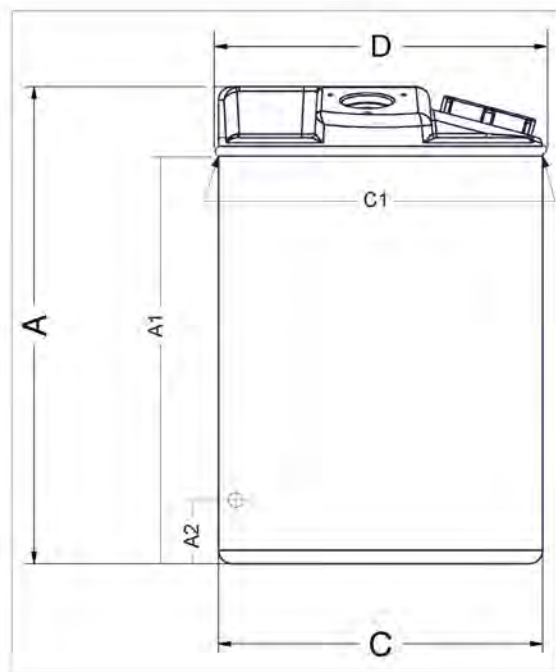
Gauge	mm inch	15 1/2	20 3/4	25 1	30 1.1/4	40 1.1/2	50 2
Inertial breaking	l/h	10	15	20	20	25	50
Max temporary flow delivery	m <sup>3</sup> /h	3	5	7	10	20	30
Flow delivery with 10m of load loss	m <sup>3</sup> /h	3	5	7	10	20	30
Nominal flow rate	m <sup>3</sup> /h	1.5	2.5	3.5	5	10	15
First precision delivery ± 5%	l/h	30	50	70	100	200	450
Second precision delivery ± 2%	l/h	120	200	280	400	800	3000
Max operation pressure	bar	16	16	16	16	16	16
Minimum reading	l	0.1	0.1	0.1	0.1	0.1	0.5
Maximum reading	m <sup>3</sup>	10 <sup>6</sup>	10 <sup>6</sup>	10 <sup>6</sup>	10 <sup>6</sup>	10 <sup>6</sup>	10 <sup>6</sup>
Turbine revs per liter	g/l	34.8	22.5	11.7	11.7	4.5	3.16





- Suitable to be assembled with dosing pumps on catalogue;
- Each dosing system consisting in:
  - nr.1 tank in polyethylene (HDPE) for chemical mixing;
  - nr.1 suction lances with o-ring in VITON (optional in EPDM);
  - nr.1 manual stirrer;
- All dosing station components assembled on are enclosed into tank diameter;
- Stirrers screwed on thread metal insert are tilted for better central mixing;
- Stainless Steel (AISI 316) fixing screws with rubber cap;
- With level indicator;
- Tanks can be assembled with:
  - nr.1 metering pump (not included in the dosing system);
  - nr.1 manual stirrer;
  - nr.1 feed water valve;
  - nr.1 outgassing pump hose;
  - nr.1 outgassing valve (on the higher top side);
  - nr.1 bleed water valve (on the lower side);
  - nr.1 suction lance;
- Range temperature = 4 ÷ 40°C;
- On demand are available safety bunds.





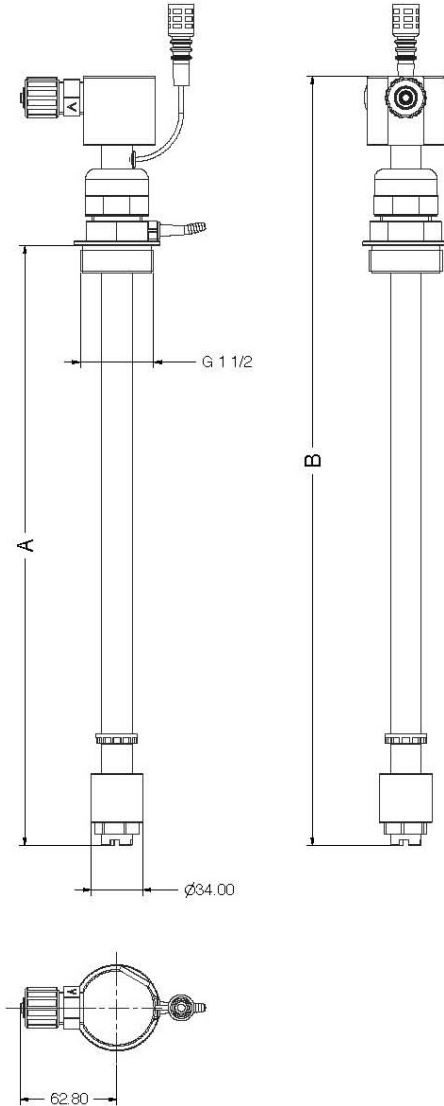
REF.	VOLUME (liters)	O-RING MATERIAL	A (mm)	A1 - FEED WATER VALVE HEIGHT (mm)	C (mm)	C1 (mm)	D (mm)	FEED WATER (mm)
DG400	50	VITON	505	425	420	-	-	95
DG400A (*)	50	EPDM	505	425	420	-	-	95
DG402	120	VITON	735	650	475	485	495	650
DG402A (*)	120	EPDM	735	650	475	485	495	650
DG404	250	VITON	850	780	610	-	-	120
DG404A (*)	250	EPDM	850	780	610	-	-	120

(\*) not available in stock – Delivery 3 weeks.



## SUCTION LANCES FOR DOSING SYSTEMS

- For pumps up to 10 l/h;
- Level switch;
- Foot valve and foot filter;
- Adjustable height;
- 1 1/2" pipe fitting;
- Lateral output (1/2" fitting);
- PVC body.



(\*) suitable for alkaline liquid chemicals;  
not available in stock – Delivery 3 weeks.

REF.	DOSING SYSTEM	O-RING MATERIAL	A (mm)	B (mm)	
DG430	DG400 – DG402	VITON	630	740	
DG430A (*)	DG400A – DG402A	EPDM	630	740	
DG434	DG404	VITON	1080	1190	
DG434A (*)	DG404A	EPDM	1080	1190	

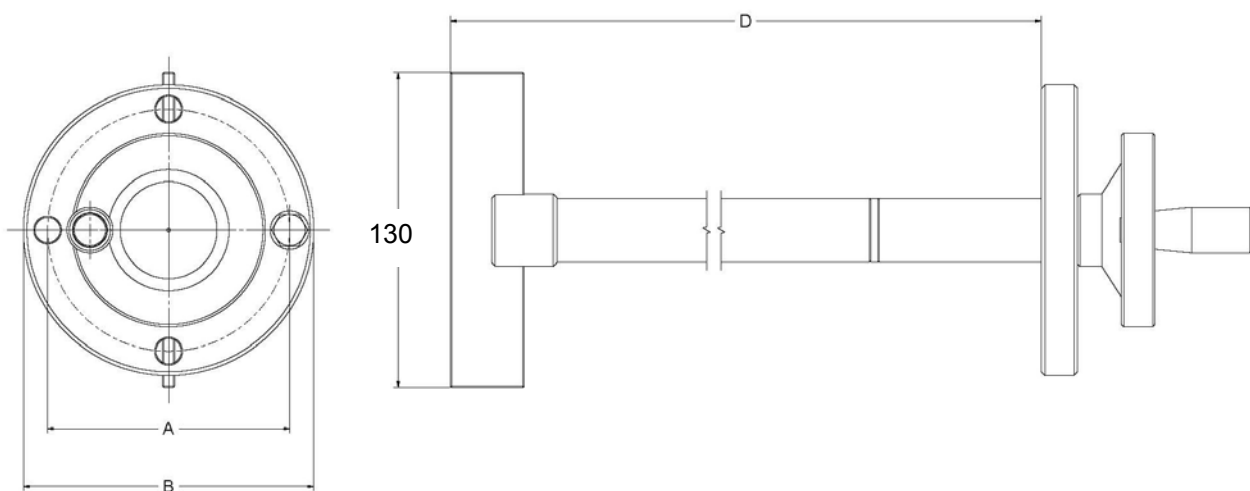


## MANUAL STIRRER FOR DOSING SYSTEM

- PVC-U shaft;
- 2-blade impeller;
- Impeller diameter = 130 mm
- Holes diameter = 8,5 mm.



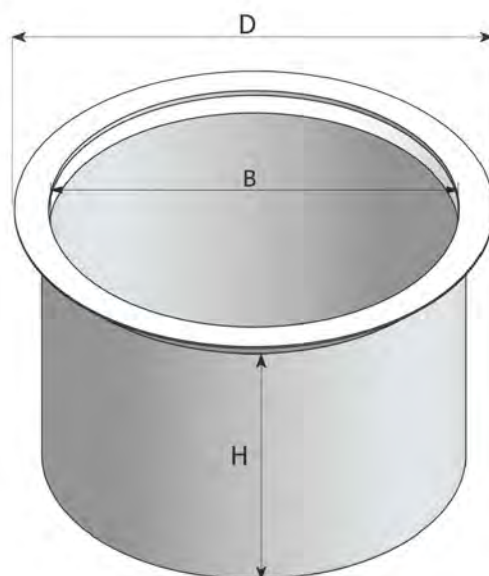
REF.	DOSING SYSTEM	A (mm)	Ø B (mm)	D (mm)	HOLES NUMBER AND POSITION
DG440	DG400 DG400A	100	120	450	4 at 90°
DG442	DG402 DG402A	125	145	650	3 at 120°
DG444	DG404 DG404A	125	145	770	3 at 120°





## SAFETY BUNDS

- Material in polyethylene (HDPE), with reinforced collar for increasing security;
- Range temperature = 4 ÷ 40°C.



REF.	MODEL	VOLUME (liters)	B (mm)	D (mm)	H (mm)	
DG410 (*)	50	60	430	510	425	
DG412 (*)	120	120	520	545	615	
DG414 (*)	250	300	660	695	875	

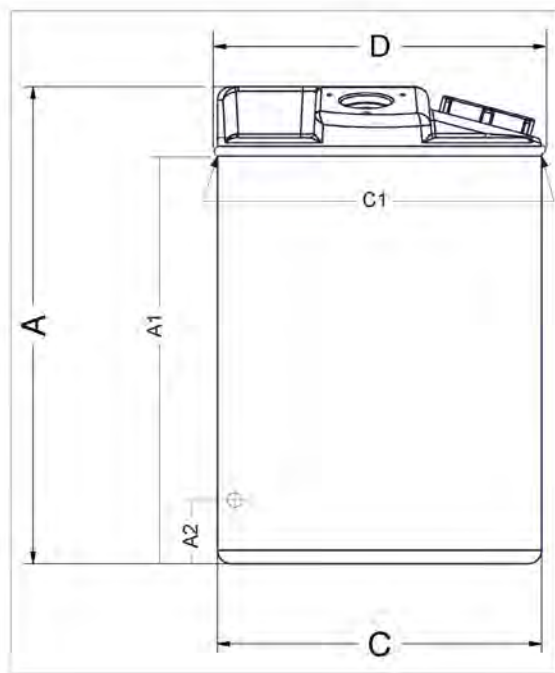
(\*) not available in stock – Delivery 3 weeks.





## TANK FOR CHEMICAL

- Material in polyethylene (HDPE), suitable for chemical mixing;
- Tanks can be assembled with:
  - nr.1 metering pump (not included in the dosing system);
  - nr.1 manual stirrer;
  - nr.1 feed water valve;
  - nr.1 outgassing pump hose;
  - nr.1 outgassing valve (on the higher top side);
  - nr.1 bleed water valve (on the lower side);
  - nr.1 suction lance;
- Range temperature = 4 ÷ 40°C.



REF.	VOLUME (liters)	A (mm)	A1 - FEED WATER VALVE HEIGHT (mm)	C (mm)	C1 (mm)	D (mm)	FEED WATER (mm)
DG420	50	505	425	420	-	-	95
DG422	120	735	650	475	485	495	650
DG424	250	850	780	610	-	-	120

